

---

## ***Low Power Audio System with Ambient Noise Cancellation and Echo Cancellation***

---

### **DESCRIPTION**

The WM8281 is a highly-integrated low-power audio system for smartphones, tablets and other portable audio devices. It combines an advanced DSP feature set with a flexible, high-performance audio hub CODEC.

The WM8281 digital core combines a quad-core, 600MMAC DSP system with a variety of power-efficient fixed-function audio processing blocks. The programmable DSP cores support advanced audio features, including multi-mic wideband noise reduction, high-performance acoustic echo cancellation (AEC), mono ambient noise cancellation (ANC), speech enhancement, advanced media enhancement, and many more. The DSP cores are supported by a fully-flexible, all-digital mixing and routing engine with sample rate converters, for wide use-case flexibility.

A SLIMbus® interface supports multi-channel audio paths and host control register access. Multiple sample rates are supported concurrently via the SLIMbus interface. Three further digital audio interfaces are provided, each supporting a wide range of standard audio sample rates and serial interface formats. Automatic sample rate detection enables seamless wideband/narrowband voice call handover.

Three stereo headphone drivers each provide stereo ground-referenced or mono BTL outputs. 110dB SNR, and noise levels as low as  $0.8\mu\text{V}_{\text{RMS}}$ , offer hi-fi quality line or headphone output. The WM8281 also features a stereo pair of 2W Class-D outputs and four channels of stereo PDM output. A signal generator for controlling haptics devices is included; vibrate actuators can connect directly to the Class-D speaker output, or via an external driver on the PDM output interface. All inputs, outputs and system interfaces can function concurrently.

The WM8281 supports up to eight microphone inputs, (up to six analogue, or up to eight PDM digital, or combinations of each). Microphone activity detection with interrupt is available. A smart accessory interface supports most standard 3.5mm accessories. Impedance sensing and measurement is provided for external accessory and push-button detection.

The WM8281 power, clocking and output driver architectures are all designed to maximise battery life in voice, music and standby modes. Low-power 'Sleep' is supported, with configurable wake-up events. The WM8281 is powered from a 1.8V external supply. A separate supply is required for the Class D speaker drivers (typically direct connection to 4.2V battery).

Two integrated FLLs provide support for a wide range of system clock frequencies. The WM8281 is configured using the I2C, SPI™ or SLIMbus interfaces. The fully-differential internal analogue architecture, minimal analogue signal paths and on-chip RF noise filters ensure a very high degree of noise immunity.

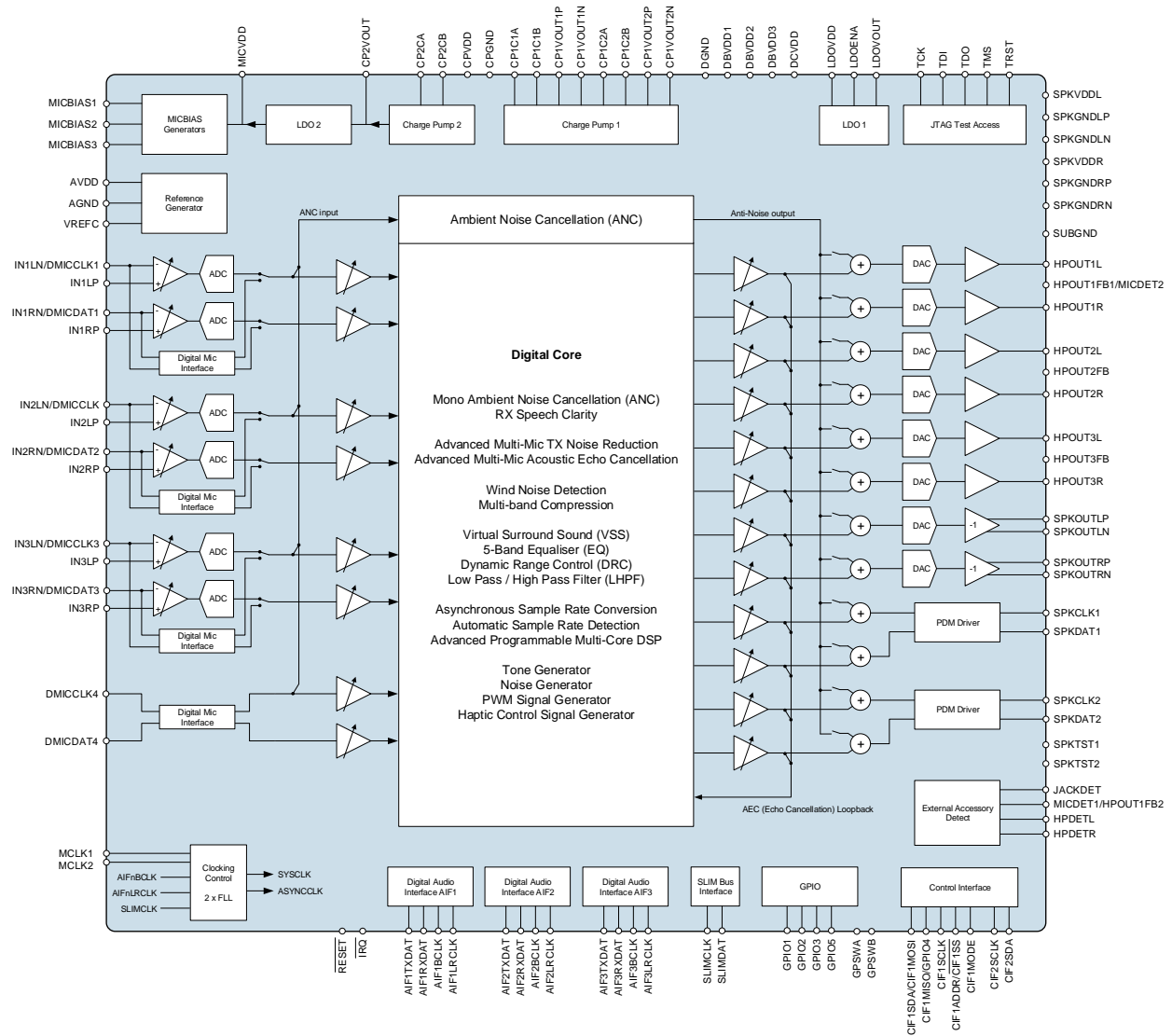
### **FEATURES**

- 600 MIPS, 600MMAC multi-core audio-signal processor
- Programmable wideband, multi-mic audio processing
  - Cirrus Logic® mono ambient noise cancellation
  - Transmit-path noise reduction and echo cancellation
  - Wind noise, sidetone and other programmable filters
  - Dynamic Range Control, Fully parametric EQs
  - Multiband Compression, Virtual Surround Sound
- Multi-channel asynchronous sample rate conversion
- Integrated 6/8 channel 24-bit hi-fi audio hub CODEC
  - 6 ADCs, 100dB SNR microphone input (48kHz)
  - 8 DACs, 121dB SNR headphone playback (48kHz), (48kHz, eDRE software enabled)
- Audio inputs
  - Up to 6 analogue or 8 digital microphone inputs
  - Single-ended or differential mic/line inputs
- Multi-purpose headphone / earpiece / line output drivers
  - 3 stereo output paths
  - 33mW into  $32\Omega$  load at 1% THD+N
  - 100mW into  $16\Omega$  BTL load at 5% THD+N
  - 4mW typical headphone playback power consumption
  - Pop suppression functions
  - $0.8\mu\text{V}_{\text{RMS}}$  noise floor (A-weighted)
- Stereo (2 x 2W) Class D speaker output drivers
  - Direct drive of external haptics vibrate actuators
- Four-channel digital speaker (PDM) interface
- SLIMbus audio and control interface
- 3 full digital audio interfaces
  - Standard sample rates from 4kHz up to 192kHz
  - Ultrasonic accessory function support
  - TDM support on all AIFs
  - Multi-channel input/output on AIF1 and AIF2
  - Stereo input/output on AIF3
- Flexible clocking, derived from MCLKn, BCLKn, LRCLKn or SLIMbus
- 2 low-power FLLs support reference clocks down to 32kHz
- Advanced accessory detection functions
  - Low-power standby mode and configurable wake-up
- Configurable functions on 5 GPIO pins
- Integrated LDO regulators and charge pumps
- Small W-CSP package, 0.4mm pitch

### **APPLICATIONS**

- Smartphones, tablets, and multimedia handsets

## BLOCK DIAGRAM



---

**TABLE OF CONTENTS**

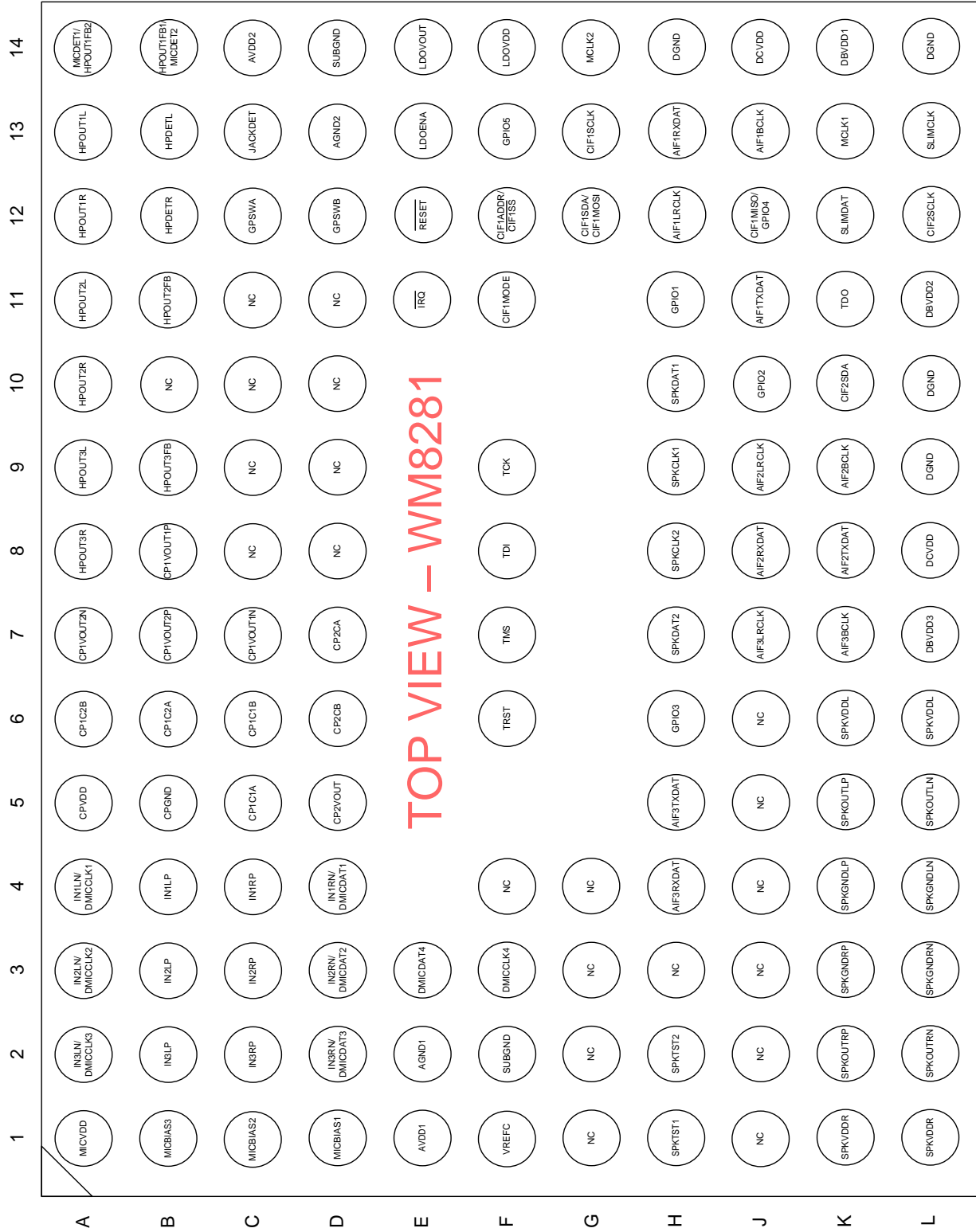
<b>DESCRIPTION</b> .....	<b>1</b>
<b>FEATURES</b> .....	<b>1</b>
<b>APPLICATIONS</b> .....	<b>1</b>
<b>BLOCK DIAGRAM</b> .....	<b>2</b>
<b>TABLE OF CONTENTS</b> .....	<b>3</b>
<b>PIN CONFIGURATION</b> .....	<b>7</b>
<b>ORDERING INFORMATION</b> .....	<b>8</b>
<b>PIN DESCRIPTION</b> .....	<b>8</b>
<b>ABSOLUTE MAXIMUM RATINGS</b> .....	<b>14</b>
<b>RECOMMENDED OPERATING CONDITIONS</b> .....	<b>15</b>
<b>ELECTRICAL CHARACTERISTICS</b> .....	<b>16</b>
TERMINOLOGY .....	27
<b>THERMAL CHARACTERISTICS</b> .....	<b>28</b>
<b>TYPICAL PERFORMANCE</b> .....	<b>29</b>
TYPICAL POWER CONSUMPTION .....	29
TYPICAL SIGNAL LATENCY .....	30
<b>SIGNAL TIMING REQUIREMENTS</b> .....	<b>31</b>
SYSTEM CLOCK & FREQUENCY LOCKED LOOP (FLL).....	31
AUDIO INTERFACE TIMING .....	33
DIGITAL MICROPHONE (DMIC) INTERFACE TIMING .....	33
DIGITAL SPEAKER (PDM) INTERFACE TIMING .....	34
DIGITAL AUDIO INTERFACE - MASTER MODE .....	35
DIGITAL AUDIO INTERFACE - SLAVE MODE .....	36
DIGITAL AUDIO INTERFACE - TDM MODE .....	37
CONTROL INTERFACE TIMING .....	38
2-WIRE (I2C) CONTROL MODE .....	38
4-WIRE (SPI) CONTROL MODE .....	39
SLIMBUS INTERFACE TIMING.....	40
JTAG INTERFACE TIMING .....	42
<b>DEVICE DESCRIPTION</b> .....	<b>43</b>
INTRODUCTION .....	43
HI-FI AUDIO CODEC.....	43
DIGITAL AUDIO CORE .....	44
DIGITAL INTERFACES .....	44
OTHER FEATURES .....	45
<b>INPUT SIGNAL PATH</b> .....	<b>46</b>
ANALOGUE MICROPHONE INPUT .....	47
ANALOGUE LINE INPUT .....	48
DIGITAL MICROPHONE INPUT .....	48
INPUT SIGNAL PATH ENABLE .....	50
INPUT SIGNAL PATH SAMPLE RATE CONTROL .....	51
INPUT SIGNAL PATH CONFIGURATION .....	51
INPUT SIGNAL PATH DIGITAL VOLUME CONTROL .....	56
INPUT SIGNAL PATH ANC CONTROL .....	61
DIGITAL MICROPHONE INTERFACE PULL-DOWN .....	61
<b>DIGITAL CORE</b> .....	<b>62</b>
DIGITAL CORE MIXERS.....	64
DIGITAL CORE INPUTS .....	67
DIGITAL CORE OUTPUT MIXERS .....	68
MIC MUTE MIXER.....	71
5-BAND PARAMETRIC EQUALISER (EQ).....	72

DYNAMIC RANGE CONTROL (DRC).....	76
LOW PASS / HIGH PASS DIGITAL FILTER (LHPF) .....	89
DIGITAL CORE DSP .....	92
TONE GENERATOR .....	94
NOISE GENERATOR.....	96
HAPTIC SIGNAL GENERATOR.....	96
PWM GENERATOR .....	100
SAMPLE RATE CONTROL .....	102
ASYNCHRONOUS SAMPLE RATE CONVERTER (ASRC).....	112
ISOSYNCHRONOUS SAMPLE RATE CONVERTER (ISRC).....	115
<b>DSP FIRMWARE CONTROL .....</b>	<b>122</b>
DSP FIRMWARE MEMORY CONTROL .....	122
DSP FIRMWARE EXECUTION .....	129
DSP DIRECT MEMORY ACCESS (DMA) CONTROL .....	131
DSP DEBUG SUPPORT .....	137
<b>AMBIENT NOISE CANCELLATION.....</b>	<b>140</b>
<b>DIGITAL AUDIO INTERFACE.....</b>	<b>141</b>
MASTER AND SLAVE MODE OPERATION.....	142
AUDIO DATA FORMATS .....	142
AIF TIMESLOT CONFIGURATION .....	144
TDM OPERATION BETWEEN THREE OR MORE DEVICES .....	146
<b>DIGITAL AUDIO INTERFACE CONTROL .....</b>	<b>148</b>
AIF SAMPLE RATE CONTROL .....	148
AIF MASTER / SLAVE CONTROL .....	148
AIF SIGNAL PATH ENABLE .....	152
AIF BCLK AND LRCLK CONTROL .....	155
AIF DIGITAL AUDIO DATA CONTROL.....	159
AIF TDM AND TRI-STATE CONTROL.....	162
AIF DIGITAL PULL-UP AND PULL-DOWN .....	163
<b>SLIMBUS INTERFACE .....</b>	<b>166</b>
SLIMBUS DEVICES .....	166
SLIMBUS FRAME STRUCTURE .....	166
CONTROL SPACE .....	166
DATA SPACE .....	167
<b>SLIMBUS CONTROL SEQUENCES .....</b>	<b>168</b>
DEVICE MANAGEMENT & CONFIGURATION .....	168
INFORMATION MANAGEMENT .....	168
VALUE MANAGEMENT (INCLUDING REGISTER ACCESS).....	169
FRAME & CLOCKING MANAGEMENT .....	169
DATA CHANNEL CONFIGURATION.....	170
<b>SLIMBUS INTERFACE CONTROL.....</b>	<b>171</b>
SLIMBUS DEVICE PARAMETERS.....	171
SLIMBUS MESSAGE SUPPORT .....	171
SLIMBUS PORT NUMBER CONTROL.....	174
SLIMBUS SAMPLE RATE CONTROL .....	174
SLIMBUS SIGNAL PATH ENABLE .....	175
SLIMBUS CONTROL REGISTER ACCESS .....	176
SLIMBUS CLOCKING CONTROL.....	178
<b>OUTPUT SIGNAL PATH.....</b>	<b>180</b>
OUTPUT SIGNAL PATH ENABLE .....	182
OUTPUT SIGNAL PATH SAMPLE RATE CONTROL .....	184
OUTPUT SIGNAL PATH CONTROL.....	184
OUTPUT SIGNAL PATH DIGITAL VOLUME CONTROL .....	186
OUTPUT SIGNAL PATH DIGITAL VOLUME LIMIT .....	192
OUTPUT SIGNAL PATH NOISE GATE CONTROL.....	196

OUTPUT SIGNAL PATH AEC LOOPBACK .....	198
HEADPHONE OUTPUTS AND MONO MODE .....	199
SPEAKER OUTPUTS (ANALOGUE) .....	200
SPEAKER OUTPUTS (DIGITAL PDM) .....	201
<b>EXTERNAL ACCESSORY DETECTION .....</b>	<b>204</b>
JACK DETECT .....	204
JACK POP SUPPRESSION (MICDET CLAMP AND GP SWITCH) .....	206
MICROPHONE DETECT .....	208
HEADPHONE DETECT .....	214
<b>LOW POWER SLEEP CONFIGURATION .....</b>	<b>220</b>
SLEEP MODE .....	220
SLEEP CONTROL SIGNALS - JD1, GP5, MICDET CLAMP .....	223
WAKE-UP TRANSITION .....	224
WRITE SEQUENCE CONTROL .....	225
INTERRUPT CONTROL .....	226
<b>GENERAL PURPOSE INPUT / OUTPUT .....</b>	<b>227</b>
GPIO CONTROL .....	228
GPIO FUNCTION SELECT .....	230
DIGITAL AUDIO INTERFACE FUNCTION (AIFNTXLRCLK) .....	235
BUTTON DETECT (GPIO INPUT) .....	235
LOGIC '1' AND LOGIC '0' OUTPUT (GPIO OUTPUT) .....	235
INTERRUPT (IRQ) STATUS OUTPUT .....	235
DSP STATUS FLAG (DSP IRQN) OUTPUT .....	236
OPCLK AND OPCLK_ASYNC CLOCK OUTPUT .....	236
FREQUENCY LOCKED LOOP (FLL) STATUS OUTPUT .....	238
FREQUENCY LOCKED LOOP (FLL) CLOCK OUTPUT .....	238
PULSE WIDTH MODULATION (PWM) SIGNAL OUTPUT .....	239
HEADPHONE DETECTION STATUS OUTPUT .....	239
MICROPHONE / ACCESSORY DETECTION STATUS OUTPUT .....	239
HEADPHONE ENABLE STATUS OUTPUT .....	239
BOOT DONE STATUS OUTPUT .....	240
ASYNCHRONOUS SAMPLE RATE CONVERTER (ASRC) LOCK STATUS OUTPUT .....	240
ASYNCHRONOUS SAMPLE RATE CONVERTER (ASRC) CONFIGURATION ERROR STATUS OUTPUT .....	240
ISOCRONOUS SAMPLE RATE CONVERTER (ISRC) CONFIGURATION ERROR STATUS OUTPUT .....	241
OVER-TEMPERATURE, SHORT CIRCUIT PROTECTION, AND SPEAKER SHUTDOWN STATUS OUTPUT .....	241
DYNAMIC RANGE CONTROL (DRC) STATUS OUTPUT .....	242
CONTROL WRITE SEQUENCER STATUS OUTPUT .....	242
CONTROL INTERFACE ERROR STATUS OUTPUT .....	243
SYSTEM CLOCKS ENABLE STATUS OUTPUT .....	243
CLOCKING ERROR STATUS OUTPUT .....	244
GENERAL PURPOSE SWITCH .....	245
<b>INTERRUPTS .....</b>	<b>246</b>
<b>CLOCKING AND SAMPLE RATES .....</b>	<b>262</b>
SYSTEM CLOCKING .....	262
SAMPLE RATE CONTROL .....	262
AUTOMATIC SAMPLE RATE DETECTION .....	263
SYSCLK AND ASYNCLCK CONTROL .....	264
MISCELLANEOUS CLOCK CONTROLS .....	267
BCLK AND LRCLK CONTROL .....	274
CONTROL INTERFACE CLOCKING .....	274
FREQUENCY LOCKED LOOP (FLL) .....	275
FREE-RUNNING FLL MODE .....	285
SPREAD SPECTRUM FLL CONTROL .....	287
FLL INTERRUPTS AND GPIO OUTPUT .....	288
EXAMPLE FLL CALCULATION .....	288

EXAMPLE FLL SETTINGS.....	289
<b>CONTROL INTERFACE .....</b>	<b>291</b>
2-WIRE (I2C) CONTROL MODE.....	292
4-WIRE (SPI) CONTROL MODE.....	296
<b>CONTROL WRITE SEQUENCER .....</b>	<b>297</b>
INITIATING A SEQUENCE.....	297
AUTOMATIC SAMPLE RATE DETECTION SEQUENCES .....	298
JACK DETECT, GPIO, MICDET CLAMP, AND WAKE-UP SEQUENCES .....	299
DRC SIGNAL DETECT SEQUENCES .....	300
BOOT SEQUENCE.....	301
SEQUENCER OUTPUTS AND READBACK .....	301
PROGRAMMING A SEQUENCE .....	302
SEQUENCER MEMORY DEFINITION .....	303
<b>CHARGE PUMPS, REGULATORS AND VOLTAGE REFERENCE .....</b>	<b>306</b>
CHARGE PUMPS AND LDO2 REGULATOR .....	306
MICROPHONE BIAS (MICBIAS) CONTROL .....	307
VOLTAGE REFERENCE CIRCUIT .....	307
LDO1 REGULATOR AND DCVDD SUPPLY .....	308
BLOCK DIAGRAM AND CONTROL REGISTERS .....	309
<b>JTAG INTERFACE.....</b>	<b>313</b>
<b>THERMAL SHUTDOWN AND SHORT CIRCUIT PROTECTION.....</b>	<b>314</b>
<b>POWER-ON RESET (POR) .....</b>	<b>315</b>
<b>HARDWARE RESET, SOFTWARE RESET, WAKE-UP, AND DEVICE ID.....</b>	<b>318</b>
<b>REGISTER MAP .....</b>	<b>320</b>
<b>APPLICATIONS INFORMATION .....</b>	<b>375</b>
<b>RECOMMENDED EXTERNAL COMPONENTS.....</b>	<b>375</b>
ANALOGUE INPUT PATHS .....	375
DIGITAL MICROPHONE INPUT PATHS .....	375
MICROPHONE BIAS CIRCUIT .....	376
HEADPHONE DRIVER OUTPUT PATH.....	377
SPEAKER DRIVER OUTPUT PATH.....	379
POWER SUPPLY DECOUPLING .....	381
VOLTAGE REFERENCE EXTERNAL COMPONENTS.....	381
CHARGE PUMP COMPONENTS .....	382
EXTERNAL ACCESSORY DETECTION COMPONENTS.....	382
RECOMMENDED EXTERNAL COMPONENTS DIAGRAM .....	384
<b>RESETS SUMMARY.....</b>	<b>385</b>
<b>OUTPUT SIGNAL DRIVE STRENGTH CONTROL .....</b>	<b>386</b>
<b>DIGITAL AUDIO INTERFACE CLOCKING CONFIGURATIONS .....</b>	<b>388</b>
<b>PCB LAYOUT CONSIDERATIONS .....</b>	<b>391</b>
<b>PACKAGE DIMENSIONS.....</b>	<b>392</b>
<b>IMPORTANT NOTICE .....</b>	<b>393</b>
<b>REVISION HISTORY .....</b>	<b>394</b>

## PIN CONFIGURATION



**ORDERING INFORMATION**

ORDER CODE	TEMPERATURE RANGE	PACKAGE	MOISTURE SENSITIVITY LEVEL	PEAK SOLDERING TEMPERATURE
WM8281ECS/R	-40°C to +85°C	W-CSP (Pb-free, Tape and reel)	MSL1	260°C

**Note:**

Reel quantity = 7000

**PIN DESCRIPTION**

A description of each pin on the WM8281 is provided below.

Note that a table detailing the associated power domain for every input and output pin is provided on the following page.

Note that, where multiple pins share a common name, these pins should be tied together on the PCB.

All Digital Output pins are CMOS outputs, unless otherwise stated.

PIN NO	NAME	TYPE	DESCRIPTION
E2	AGND1	Supply	Analogue ground (Return path for AVDD1)
D13	AGND2	Supply	Analogue ground (Return path for AVDD2)
J13	AIF1BCLK	Digital Input / Output	Audio interface 1 bit clock
H13	AIF1RXDAT	Digital Input	Audio interface 1 RX digital audio data
H12	AIF1LRCLK	Digital Input / Output	Audio interface 1 left / right clock
J11	AIF1TXDAT	Digital Output	Audio interface 1 TX digital audio data
K9	AIF2BCLK	Digital Input / Output	Audio interface 2 bit clock
J8	AIF2RXDAT	Digital Input	Audio interface 2 RX digital audio data
J9	AIF2LRCLK	Digital Input / Output	Audio interface 2 left / right clock
K8	AIF2TXDAT	Digital Output	Audio interface 2 TX digital audio data
K7	AIF3BCLK	Digital Input / Output	Audio interface 3 bit clock
H4	AIF3RXDAT	Digital Input	Audio interface 3 RXdigital audio data
J7	AIF3LRCLK	Digital Input / Output	Audio interface 3 left / right clock
H5	AIF3TXDAT	Digital Output	Audio interface 3 TX digital audio data
E1	AVDD1	Supply	Analogue supply
C14	AVDD2	Supply	Analogue supply
F12	CIF1ADDR/ CIF1SS	Digital Input	Control interface 1 (I2C) address select / Control interface 1 (SPI) Slave Select (SS)
J12	CIF1MISO/ GPIO4	Digital Input / Output	Control interface 1 Master In Slave Out data / General Purpose pin GPIO4. The CIFMISO configuration is selectable CMOS or 'Wired OR'. The GPIO4 output is selectable CMOS or Open Drain.
F11	CIF1MODE	Digital Input	Control interface 1 mode select input
G13	CIF1SCLK	Digital Input	Control interface 1 clock input
G12	CIF1SDA/ CIF1MOSI	Digital Input / Output	Control interface 1 (I2C) data input and output / Control interface 1 (SPI) Master Out Slave In data. The output functions are implemented as an Open Drain circuit.
L12	CIF2SCLK	Digital Input	Control interface 2 clock input
K10	CIF2SDA	Digital Input / Output	Control interface 2 data input and output / acknowledge output. The output function is implemented as an Open Drain circuit.
C5	CP1C1A	Analogue Output	Charge pump 1 fly-back capacitor 1 pin
C6	CP1C1B	Analogue Output	Charge pump 1 fly-back capacitor 1 pin
B6	CP1C2A	Analogue Output	Charge pump 1 fly-back capacitor 2 pin
A6	CP1C2B	Analogue Output	Charge pump 1 fly-back capacitor 2 pin
C7	CP1VOUT1N	Analogue Output	Charge pump 1 negative output 1 decoupling pin
B8	CP1VOUT1P	Analogue Output	Charge pump 1 positive output 1 decoupling pin
A7	CP1VOUT2N	Analogue Output	Charge pump 1 negative output 2 decoupling pin
B7	CP1VOUT2P	Analogue Output	Charge pump 1 positive output 2 decoupling pin



PIN NO	NAME	TYPE	DESCRIPTION
D7	CP2CA	Analogue Output	Charge pump 2 fly-back capacitor pin
D6	CP2CB	Analogue Output	Charge pump 2 fly-back capacitor pin
D5	CP2VOUT	Analogue Output	Charge pump 2 output decoupling pin / Supply for LDO2
B5	CPGND	Supply	Charge pump 1 & 2 ground (Return path for CPVDD)
A5	CPVDD	Supply	Supply for Charge Pump 1 & 2
K14	DBVDD1	Supply	Digital buffer (I/O) supply (core functions and Audio Interface 1)
L11	DBVDD2	Supply	Digital buffer (I/O) supply (for Audio Interface 2)
L7	DBVDD3	Supply	Digital buffer (I/O) supply (for Audio Interface 3)
J14, L8	DCVDD	Supply	Digital core supply
H14, L9, L10, L14	DGND	Supply	Digital ground (Return path for DCVDD, DBVDD1, DBVDD2 and DBVDD3)
F3	DMICCLK4	Digital Output	Digital MIC clock output 4
E3	DMICDAT4	Digital Input	Digital MIC data input 4
H11	GPIO1	Digital Input / Output	General Purpose pin GPIO1. The output configuration is selectable CMOS or Open Drain.
J10	GPIO2	Digital Input / Output	General Purpose pin GPIO2. The output configuration is selectable CMOS or Open Drain.
H6	GPIO3	Digital Input / Output	General Purpose pin GPIO3. The output configuration is selectable CMOS or Open Drain.
F13	GPIO5	Digital Input / Output	General Purpose pin GPIO5. The output configuration is selectable CMOS or Open Drain.
C12	GPSWA	Analogue Input / Output	General Purpose bi-directional switch contact
D12	GPSWB	Analogue Input / Output	General Purpose bi-directional switch contact
B13	HPDETL	Analogue Input	Headphone left (HPOUT1L) sense input
B12	HPDETR	Analogue Input	Headphone right (HPOUT1R) sense input
B14	HPOUT1FB1/ MICDET2	Analogue Input	HPOUT1L and HPOUT1R ground feedback pin 1/ Microphone & accessory sense input 2
A13	HPOUT1L	Analogue Output	Left headphone 1 output
A12	HPOUT1R	Analogue Output	Right headphone 1 output
B11	HPOUT2FB	Analogue Input	HPOUT2L and HPOUT2R ground loop noise rejection feedback
A11	HPOUT2L	Analogue Output	Left headphone 2 output
A10	HPOUT2R	Analogue Output	Right headphone 2 output
B9	HPOUT3FB	Analogue Input	HPOUT3L and HPOUT3R ground loop noise rejection feedback
A9	HPOUT3L	Analogue Output	Left headphone 3 output
A8	HPOUT3R	Analogue Output	Right headphone 3 output
A4	IN1LN/ DMICCLK1	Analogue Input / Digital Output	Left channel negative differential Mic/Line input / Digital MIC clock output 1
B4	IN1LP	Analogue Input	Left channel single-ended Mic/Line input / Left channel positive differential Mic/Line input
D4	IN1RN/ DMICDAT1	Analogue input / Digital Input	Right channel negative differential Mic/Line input / Digital MIC data input 1
C4	IN1RP	Analogue Input	Right channel single-ended Mic/Line input / Right channel positive differential Mic/Line input
A3	IN2LN/ DMICCLK2	Analogue Input / Digital Output	Left channel negative differential Mic/Line input / Digital MIC clock output 2
B3	IN2LP	Analogue Input	Left channel single-ended Mic/Line input / Left channel positive differential Mic/Line input
D3	IN2RN/ DMICDAT2	Analogue input / Digital Input	Right channel negative differential Mic/Line input / Digital MIC data input 2
C3	IN2RP	Analogue Input	Right channel single-ended Mic/Line input / Right channel positive differential Mic/Line input

PIN NO	NAME	TYPE	DESCRIPTION
A2	IN3LN/ DMICCLK3	Analogue Input / Digital Output	Left channel negative differential Mic/Line input / Digital MIC clock output 3
B2	IN3LP	Analogue Input	Left channel single-ended Mic/Line input / Left channel positive differential Mic/Line input
D2	IN3RN/ DMICDAT3	Analogue input / Digital Input	Right channel negative differential Mic/Line input / Digital MIC data input 3
C2	IN3RP	Analogue Input	Right channel single-ended Mic/Line input / Right channel positive differential Mic/Line input
E11	IRQ	Digital Output	Interrupt Request (IRQ) output (default is active low). The pin configuration is selectable CMOS or Open Drain.
C13	JACKDET	Analogue Input	Jack detect input
E13	LDOENA	Digital Input	Enable pin for LDO1 (generates DCVDD supply). Logic 1 input enables LDO1. If using external DCVDD supply, then LDO1 is not used, and LDOENA must be held at logic 0.
F14	LDOVDD	Supply	Supply for LDO1
E14	LDOVOUT	Analogue Output	LDO1 output. If using external DCVDD, then LDOVOUT must be left floating.
K13	MCLK1	Digital Input	Master clock 1
G14	MCLK2	Digital Input	Master clock 2
D1	MICBIAS1	Analogue Output	Microphone bias 1
C1	MICBIAS2	Analogue Output	Microphone bias 2
B1	MICBIAS3	Analogue Output	Microphone bias 3
A14	MICDET1/ HPOUT1FB2	Analogue Input	Microphone & accessory sense input 1/ HPOUT1L and HPOUT1R ground feedback pin 2
A1	MICVDD	Analogue Output	LDO2 output decoupling pin (generated internally by WM8281). (Can also be used as reference/supply for external microphones.)
E12	RESET	Digital Input	Digital Reset input (active low)
L13	SLIMCLK	Digital Input / Output	SLIM Bus Clock input / output
K12	SLIMDAT	Digital Input / Output	SLIM Bus Data input / output
H9	SPKCLK1	Digital Output	Digital speaker (PDM) 1 clock output
H8	SPKCLK2	Digital Output	Digital speaker (PDM) 2 clock output
H10	SPKDAT1	Digital Output	Digital speaker (PDM) 1 data output
H7	SPKDAT2	Digital Output	Digital speaker (PDM) 2 data output
L4	SPKGNDLN	Supply	Left speaker driver ground (Return path for SPKVDDL). See note.
K4	SPKGNDLP	Supply	Left speaker driver ground (Return path for SPKVDDL). See note.
L3	SPKGNDRN	Supply	Right speaker driver ground (Return path for SPKVDDR). See note.
K3	SPKGNDRP	Supply	Right speaker driver ground (Return path for SPKVDDR). See note.
L5	SPKOUTLN	Analogue Output	Left speaker negative output
K5	SPKOUTLP	Analogue Output	Left speaker positive output
L2	SPKOUTRN	Analogue Output	Right speaker negative output
K2	SPKOUTRP	Analogue Output	Right speaker positive output
H1	SPKTST1	Analogue Output	Test function (recommend no external connection)
H2	SPKTST2	Analogue Output	Test function (recommend no external connection)
K6, L6	SPKVDDL	Supply	Left speaker driver supply
K1, L1	SPKVDDR	Supply	Right speaker driver supply
D14, F2	SUBGND	Supply	Substrate ground
F9	TCK	Digital Input	JTAG clock input. Internal pull-down holds this pin at logic 0 for normal operation.

PIN NO	NAME	TYPE	DESCRIPTION
F8	TDI	Digital Input	JTAG data input. Internal pull-down holds this pin at logic 0 for normal operation.
K11	TDO	Digital Output	JTAG data output
F7	TMS	Digital Input	JTAG mode select input. Internal pull-down holds this pin at logic 0 for normal operation.
F6	TRST	Digital Input	JTAG Test Access Port reset (active low). Internal pull-down holds this pin at logic 0 for normal operation.
F1	VREFC	Analogue Output	Bandgap reference external components connection
B10, C8, C9, C10, C11, D8, D9, D10, D11, F4, G1, G2, G3, G4, H3, J1, J2, J3, J4, J5, J6	NC	n/a	No Connection

**Note:** Separate P/N ground connections are provided for each speaker driver channel; this provides flexible support for current monitoring and output protection circuits. If this option is not used, then the respective ground connections should be tied together on the PCB.

The following table identifies the power domain and ground reference associated with each of the input / output pins.

PIN NO	NAME	POWER DOMAIN	GROUND DOMAIN
J13	AIF1BCLK	DBVDD1	DGND
H13	AIF1RXDAT	DBVDD1	DGND
H12	AIF1LRCLK	DBVDD1	DGND
J11	AIF1TXDAT	DBVDD1	DGND
K9	AIF2BCLK	DBVDD2	DGND
J8	AIF2RXDAT	DBVDD2	DGND
J9	AIF2LRCLK	DBVDD2	DGND
K8	AIF2TXDAT	DBVDD2	DGND
K7	AIF3BCLK	DBVDD3	DGND
H4	AIF3RXDAT	DBVDD3	DGND
J7	AIF3LRCLK	DBVDD3	DGND
H5	AIF3TXDAT	DBVDD3	DGND
F12	CIF1ADDR/ CIF1SS	DBVDD1	DGND
J12	CIF1MISO/ GPIO4	DBVDD1	DGND
F11	CIF1MODE	DBVDD1	DGND
G13	CIF1SCLK	DBVDD1	DGND
G12	CIF1SDA/ CIF1MOSI	DBVDD1	DGND
L12	CIF2SCLK	DBVDD2	DGND
K10	CIF2SDA	DBVDD2	DGND
F3	DMICCLK4	MICVDD, MICBIAS1, MICBIAS2, MICBIAS3 The DMICCLK4 power domain is selectable using IN4_DMIC_SUP	AGND
E3	DMICDAT4	MICVDD, MICBIAS1, MICBIAS2, MICBIAS3 The DMICDAT4 power domain is selectable using IN4_DMIC_SUP	AGND
H11	GPIO1	DBVDD1	DGND
J10	GPIO2	DBVDD2	DGND
H6	GPIO3	DBVDD3	DGND
F13	GPIO5	DBVDD1	DGND
C12	GPSWA		
D12	GPSWB		
B13	HPDETL	AVDD	AGND
B12	HPDETR	AVDD	AGND
B14	HPOUT1FB1/ MICDET2	CPVDD (Ground noise rejection) / MICVDD (Microphone / Accessory detection)	CPGND
A13	HPOUT1L	CPVDD	CPGND
A12	HPOUT1R	CPVDD	CPGND
B11	HPOUT2FB	CPVDD	CPGND
A11	HPOUT2L	CPVDD	CPGND
A10	HPOUT2R	CPVDD	CPGND
B9	HPOUT3FB	CPVDD	CPGND
A9	HPOUT3L	CPVDD	CPGND
A8	HPOUT3R	CPVDD	CPGND
A4	IN1LN DMICCLK1	MICVDD (analogue) / MICVDD, MICBIAS1, MICBIAS2, MICBIAS3 (digital) The DMICCLK1 power domain is selectable using IN1_DMIC_SUP	AGND
B4	IN1LP	MICVDD	AGND
D4	IN1RN/ DMICDAT1	MICVDD (analogue) / MICVDD, MICBIAS1, MICBIAS2, MICBIAS3 (digital) The DMICDAT1 power domain is selectable using IN1_DMIC_SUP	AGND

PIN NO	NAME	POWER DOMAIN	GROUND DOMAIN
C4	IN1RP	MICVDD	AGND
A3	IN2LN/ DMICCLK2	MICVDD (analogue) / MICVDD, MICBIAS1, MICBIAS2, MICBIAS3 (digital) The DMICCLK2 power domain is selectable using IN2_DMIC_SUP	AGND
B3	IN2LP	MICVDD	AGND
D3	IN2RN/ DMICDAT2	MICVDD (analogue) / MICVDD, MICBIAS1, MICBIAS2, MICBIAS3 (digital) The DMICDAT2 power domain is selectable using IN2_DMIC_SUP	AGND
C3	IN2RP	MICVDD	AGND
A2	IN3LN/ DMICCLK3	MICVDD (analogue) / MICVDD, MICBIAS1, MICBIAS2, MICBIAS3 (digital) The DMICCLK3 power domain is selectable using IN3_DMIC_SUP	AGND
B2	IN3LP	MICVDD	AGND
D2	IN3RN/ DMICDAT3	MICVDD (analogue) / MICVDD, MICBIAS1, MICBIAS2, MICBIAS3 (digital) The DMICDAT3 power domain is selectable using IN3_DMIC_SUP	AGND
C2	IN3RP	MICVDD	AGND
E11	IRQ	DBVDD1	DGND
C13	JACKDET	AVDD	AGND
E13	LDOENA	DBVDD1	DGND
K13	MCLK1	DBVDD1	DGND
G14	MCLK2	DBVDD1	DGND
D1	MICBIAS1	MICVDD	AGND
C1	MICBIAS2	MICVDD	AGND
B1	MICBIAS3	MICVDD	AGND
A14	MICDET1/ HPOUT1FB2	MICVDD (Microphone / Accessory detection) / CPVDD (Ground noise rejection)	AGND
E12	RESET	DBVDD1	DGND
L13	SLIMCLK	DBVDD1	DGND
K12	SLIMDAT	DBVDD1	DGND
H9	SPKCLK1	DBVDD2	DGND
H8	SPKCLK2	DBVDD2	DGND
H10	SPKDAT1	DBVDD2	DGND
H7	SPKDAT2	DBVDD2	DGND
L5	SPKOUTLN	SPKVDDL	SPKGNDL
K5	SPKOUTLP	SPKVDDL	SPKGNDL
L2	SPKOUTRN	SPKVDDR	SPKGNDR
K2	SPKOUTRP	SPKVDDR	SPKGNDR
F9	TCK	DBVDD2	DGND
F8	TDI	DBVDD2	DGND
K11	TDO	DBVDD2	DGND
F7	TMS	DBVDD2	DGND
F6	TRST	DBVDD2	DGND
F1	VREFC	AVDD	AGND

## ABSOLUTE MAXIMUM RATINGS

Absolute Maximum Ratings are stress ratings only. Permanent damage to the device may be caused by continuously operating at or beyond these limits. Device functional operating limits and guaranteed performance specifications are given under Electrical Characteristics at the test conditions specified.



ESD Sensitive Device. This device is manufactured on a CMOS process. It is therefore generically susceptible to damage from excessive static voltages. Proper ESD precautions must be taken during handling and storage of this device.

Cirrus Logic tests its package types according to IPC/JEDEC J-STD-020 for Moisture Sensitivity to determine acceptable storage conditions prior to surface mount assembly. These levels are:

MSL1 = unlimited floor life at <30°C / 85% Relative Humidity. Not normally stored in moisture barrier bag.

MSL2 = out of bag storage for 1 year at <30°C / 60% Relative Humidity. Supplied in moisture barrier bag.

MSL3 = out of bag storage for 168 hours at <30°C / 60% Relative Humidity. Supplied in moisture barrier bag.

The Moisture Sensitivity Level for each package type is specified in Ordering Information.

CONDITION	MIN	MAX
Supply voltages (DCVDD)	-0.3V	1.6V
Supply voltages (CPVDD)	-0.3V	2.5V
Supply voltages (DBVDD1, DBVDD2, DBVDD3, LDOVDD, AVDD, MICVDD)	-0.3V	5.0V
Supply voltages (SPKVDDL, SPKVDDR)	-0.3V	6.0V
Voltage range digital inputs (DBVDD1 domain)	SUBGND - 0.3V	DBVDD1 + 0.3V
Voltage range digital inputs (DBVDD2 domain)	SUBGND - 0.3V	DBVDD2 + 0.3V
Voltage range digital inputs (DBVDD3 domain)	SUBGND - 0.3V	DBVDD3 + 0.3V
Voltage range digital inputs (DMICDATn)	SUBGND - 0.3V	MICVDD + 0.3V
Voltage range analogue inputs (INnLP, INnLN)	SUBGND - 0.3V	MICVDD + 0.3V
Voltage range analogue inputs (INnRP, INnRN)	SUBGND - 0.9V	MICVDD + 0.3V
Voltage range analogue inputs (HPOUT1FB1, HPOUT1FB2, HPOUTnFB)	SUBGND - 0.3V	SUBGND + 0.3V
Voltage range analogue inputs (MICDETr, GPSWA, GPSWB)	SUBGND - 0.3V	MICVDD + 0.3V
Voltage range analogue inputs (JACKDET, HPDETL, HPDETR)	CP1VOUT2N - 0.3V	AVDD + 0.3V
Ground (AGND, DGND, CPGND, SPKGNDL, SPKGNDR)	SUBGND - 0.3V	SUBGND + 0.3V
Operating temperature range, T <sub>A</sub>	-40°C	+85°C
Operating junction temperature, T <sub>J</sub>	-40°C	+125°C
Storage temperature after soldering	-65°C	+150°C

### Notes:

- DCVDD must not be powered if AVDD is not present.
- The AVDD1 and AVDD2 pins should be tied together. The associated power domain is referred to as AVDD.
- The AGND1 and AGND2 pins should be tied together. The associated ground domain is referred to as AGND.
- The HPOUT1FBn and MICDETr functions share common pins. The Absolute Maximum Rating varies according to the applicable function of each pin.
- CP1VOUT2N is an internal supply, generated by the WM8281 Charge Pump (CP1). The CP1VOUT2N voltage may vary between AGND and -CPVDD.

**RECOMMENDED OPERATING CONDITIONS**

PARAMETER	SYMBOL	MIN	TYP	MAX	UNIT
Digital supply range (Core) See notes 2, 3, 4	DCVDD	1.14	1.2	1.26	V
Digital supply range (I/O) See note 5	DBVDD1, DBVDD2, DBVDD3	1.62		3.6	V
LDO supply range See note 13	LDOVDD	1.71	1.8	1.89	V
Charge Pump supply range	CPVDD	1.71	1.8	1.89	V
Speaker supply range	SPKVDDL, SPKVDDR	2.4		5.5	V
Analogue supply range See notes 2, 6, 7	AVDD	1.71	1.8	1.89	V
Microphone Bias supply See note 8	MICVDD	0.9	2.5	3.78	V
Ground See note 1	DGND, AGND, CPGND, SPKGNDL, SPKGNDR, SUBGND		0		V
Power supply rise time See notes 9, 10, 11, 12	DCVDD	10		2000	µs
	All other supplies	10			
Operating temperature range	T <sub>A</sub>	-40		85	°C

**Notes:**

- The impedance between DGND, AGND, CPGND and SUBGND should be less than 0.1Ω. The impedance between SPKGNDL, SPKGNDR and SUBGND should be less than 0.2Ω.
- AVDD must be supplied before or simultaneously to DCVDD. DCVDD must not be powered if AVDD is not present. There are no other power sequencing requirements.
- An internal LDO (powered by LDOVDD) can be used to provide the DCVDD supply.
- 'Sleep' mode is supported when DCVDD is below the limits noted, provided AVDD and DBVDD1 are present.
- If the SLIMbus interface is enabled, then the maximum DBVDD1 voltage is 1.98V.
- The AVDD1 and AVDD2 pins should be tied together. The associated power domain is referred to as AVDD.
- The AGND1 and AGND2 pins should be tied together. The associated ground domain is referred to as AGND.
- An internal Charge Pump and LDO (powered by CPVDD) provide the Microphone Bias supply; the MICVDD pin should not be connected to an external supply.
- DCVDD and MICVDD minimum rise times do not apply when these domains are powered using the internal LDOs.
- If DCVDD is supplied externally, and the rise time exceeds 2ms, then RESET must be asserted (low) during the rise, and held asserted until after DCVDD is within the recommended operating limits.
- The specified minimum power supply rise times assume a minimum decoupling capacitance of 100nF per pin. However, Cirrus Logic strongly advises that the recommended decoupling capacitors are present on the PCB and that appropriate layout guidelines are observed.
- The specified minimum power supply rise times also assume a maximum PCB inductance of 10nH between decoupling capacitor and pin.
- When the internal LDO is used to provide the DCVDD supply, then the LDOVDD supply must be suitably rated for the inrush current at start-up and wake-up. In the typical configuration, using the internal LDO, and with the LDOVDD / CPVDD / AVDD domains connected to a single supply, a peak current capability of 500mA is required on this supply.

## ELECTRICAL CHARACTERISTICS

### Test Conditions

AVDD = 1.8V,

With the exception of the condition(s) noted above, the following electrical characteristics are valid across the full range of recommended operating conditions.

PARAMETER	SYMBOL	TEST CONDITIONS	MIN	TYP	MAX	UNIT
<b>Analogue Input Signal Level (IN1L, IN1R, IN2L, IN2R, IN3L, IN3R)</b>						
Full-scale input signal level (0dBFS output)	V <sub>INFS</sub>	Single-ended PGA input, 0dB PGA gain		0.5 -6		V <sub>RMS</sub> dBV
		Differential PGA input, 0dB PGA gain		1 0		V <sub>RMS</sub> dBV

### Notes:

1. The full-scale input signal level is also the maximum analogue input level, before clipping occurs.
2. The full-scale input signal level changes in proportion with AVDD. For differential input, it is calculated as AVDD / 1.8.
3. A 1.0V<sub>RMS</sub> differential signal equates to 0.5V<sub>RMS</sub>/-6dBV per input.
4. A sinusoidal input signal is assumed.

### Test Conditions

T<sub>A</sub> = +25°C

With the exception of the condition(s) noted above, the following electrical characteristics are valid across the full range of recommended operating conditions.

PARAMETER	SYMBOL	TEST CONDITIONS	MIN	TYP	MAX	UNIT
<b>Analogue Input Pin Characteristics (IN1L, IN1R, IN2L, IN2R, IN3L, IN3R)</b>						
Input resistance	R <sub>IN</sub>	Single-ended PGA input, All PGA gain settings	9	12		kΩ
		Differential PGA input, All PGA gain settings	18	24		
Input capacitance	C <sub>IN</sub>				5	pF

### Test Conditions

The following electrical characteristics are valid across the full range of recommended operating conditions.

PARAMETER	SYMBOL	TEST CONDITIONS	MIN	TYP	MAX	UNIT
<b>Input Programmable Gain Amplifiers (PGAs)</b>						
Minimum programmable gain				0		dB
Maximum programmable gain				31		dB
Programmable gain step size		Guaranteed monotonic		1		dB

### Test Conditions

The following electrical characteristics are valid across the full range of recommended operating conditions.

PARAMETER	SYMBOL	TEST CONDITIONS	MIN	TYP	MAX	UNIT
<b>Digital Microphone Input Signal Level (DMICDAT1, DMICDAT2, DMICDAT3, DMICDAT4)</b>						
Full-scale input signal level (0dBFS output)		0dB gain		-6		dBFS

### Notes:

5. The digital microphone input signal level is measured in dBFS, where 0dBFS is a signal level equal to the full-scale range (FSR) of the PDM input. The FSR is defined as the amplitude of a 1kHz sine wave whose positive and negative peaks are represented by the maximum and minimum digital codes respectively - this is the largest 1kHz sine wave that will fit in the digital output range without clipping. Note that, because the definition of FSR is based on a sine wave, the PDM data format can support signals larger than 0dBFS.



**Test Conditions**

The following electrical characteristics are valid across the full range of recommended operating conditions.

PARAMETER	SYMBOL	TEST CONDITIONS	MIN	TYP	MAX	UNIT
<b>Line / Headphone / Earpiece Output Driver (HPOUTnL, HPOUTnR)</b>						
Load resistance		Normal operation, Single-ended mode	6			Ω
		Normal operation, Differential (BTL) mode	15			
		Device survival with load applied indefinitely	0			
Load capacitance		Direct connection, Single-ended mode			500	pF
		Direct connection, Differential (BTL) mode			200	
		Connection via 16Ω series resistor			2	nF
<b>Speaker Output Driver (SPKOUTLP+SPKOUTLN, SPKOUTRP+SPKOUTRN)</b>						
Load resistance		Normal operation	4			Ω
		Device survival with load applied indefinitely	0			
Load capacitance					200	pF

**Test Conditions**

DBVDD1 = DBVDD2 = DBVDD3 = CPVDD = AVDD = 1.8V,

DCVDD = 1.2V (powered from LDO1), MICVDD = 2.5V (powered from LDO2), SPKVDDL = SPKVDDR = 4.2V,

T<sub>A</sub> = +25°C, 1kHz sinusoid signal, fs = 48kHz, PGA gain = 0dB, 24-bit audio data unless otherwise stated.

PARAMETER	SYMBOL	TEST CONDITIONS	MIN	TYP	MAX	UNIT
<b>Line / Headphone / Earpiece Output Driver (HPOUTnL, HPOUTnR)</b>						
DC offset at Load		Single-ended mode		0.1		mV
		Differential (BTL) mode		0.2		
<b>Speaker Output Driver (SPKOUTLP+SPKOUTLN, SPKOUTRP+SPKOUTRN)</b>						
DC offset at Load				10		mV
SPKVDD leakage current				1		μA

**Test Conditions**

DBVDD1 = DBVDD2 = DBVDD3 = CPVDD = AVDD = 1.8V,  
 DCVDD = 1.2V (powered from LDO1), MICVDD = 2.5V (powered from LDO2), SPKVDDL = SPKVDDR = 4.2V,  
 T<sub>A</sub> = +25°C, 1kHz sinusoid signal, f<sub>s</sub> = 48kHz, PGA gain = 0dB, 24-bit audio data unless otherwise stated.

PARAMETER	SYMBOL	TEST CONDITIONS	MIN	TYP	MAX	UNIT
<b>Analogue Input Paths (INnL, INnR) to ADC (Differential Input Mode, INn_MODE = 00)</b>						
Signal to Noise Ratio (A-weighted)	SNR	48kHz sample rate	93	100		dB
		16kHz sample rate, (wideband voice)	100	106		
Total Harmonic Distortion	THD	-1dBV input		-89	-81	dB
Total Harmonic Distortion + Noise	THD+N	-1dBV input		-88		dB
Channel separation (Left/Right)				100		dB
Input-referred noise floor		A-weighted, PGA gain = +20dB		3.2		μV <sub>RMS</sub>
Common mode rejection ratio	CMRR	PGA gain = +30dB	54	60		dB
		PGA gain = 0dB	60	70		
PSRR (DBVDDn, LDOVDD, CPVDD, AVDD)	PSRR	100mV (peak-peak) 217Hz		85		dB
		100mV (peak-peak) 10kHz		82		
PSRR (SPKVDDL, SPKVDDR)	PSRR	100mV (peak-peak) 217Hz		>120		dB
		100mV (peak-peak) 10kHz		70		
<b>Analogue Input Paths (INnLP, INnRP) to ADC (Single-Ended Input Mode, INn_MODE = 01)</b>						
Signal to Noise Ratio (A-weighted)	SNR	48kHz sample rate	91	96		dB
		16kHz sample rate, (wideband voice)		102		
Total Harmonic Distortion	THD	-7dBV input		-85	-78	dB
Total Harmonic Distortion + Noise	THD+N	-7dBV input		-84		dB
Channel separation (Left/Right)				100		dB
Input-referred noise floor		A-weighted, PGA gain = +20dB		3.2		μV <sub>RMS</sub>
PSRR (DBVDDn, LDOVDD, CPVDD, AVDD)	PSRR	100mV (peak-peak) 217Hz		77		dB
		100mV (peak-peak) 10kHz		50		
PSRR (SPKVDDL, SPKVDDR)	PSRR	100mV (peak-peak) 217Hz		90		dB
		100mV (peak-peak) 10kHz		50		

### Test Conditions

DBVDD1 = DBVDD2 = DBVDD3 = CPVDD = AVDD = 1.8V,  
 DCVDD = 1.2V (powered from LDO1), MICVDD = 2.5V (powered from LDO2), SPKVDDL = SPKVDDR = 4.2V,  
 T<sub>A</sub> = +25°C, 1kHz sinusoid signal, fs = 48kHz, PGA gain = 0dB, 24-bit audio data unless otherwise stated.

PARAMETER	SYMBOL	TEST CONDITIONS	MIN	TYP	MAX	UNIT
<b>DAC to Line Output (HPOUTnL, HPOUTnR; Load = 10kΩ, 50pF)</b>						
Full-scale output signal level	V <sub>OUT</sub>	0dBFS input	1 0			V <sub>rms</sub> dBV
Signal to Noise Ratio (A-weighted)	SNR	Output signal = 1V <sub>rms</sub>	107	115		dB
		Output signal = 1V <sub>rms</sub> , eDRE software enabled		120		
Total Harmonic Distortion	THD	0dBFS input		-92	-84	dB
Total Harmonic Distortion + Noise	THD+N	0dBFS input		-90		dB
Channel separation (Left/Right)				110		dB
Output noise floor		A-weighted, eDRE software enabled		0.8		μV <sub>RMS</sub>
PSRR (DBVDDn, LDOVDD, CPVDD, AVDD)	PSRR	100mV (peak-peak) 217Hz		80		dB
		100mV (peak-peak) 10kHz		72		
PSRR (SPKVDDL, SPKVDDR)	PSRR	100mV (peak-peak) 217Hz		>120		dB
		100mV (peak-peak) 10kHz		>120		
<b>DAC to Headphone Output (HPOUTnL, HPOUTnR, R<sub>L</sub> = 32Ω, Short Circuit Protection disabled)</b>						
Maximum output power	P <sub>O</sub>	0.1% THD+N		32		mW
Signal to Noise Ratio (A-weighted)	SNR	Output signal = 1V <sub>rms</sub>	107	115		dB
		Output signal = 1V <sub>rms</sub> , eDRE software enabled		121		
Total Harmonic Distortion	THD	P <sub>O</sub> = 20mW		-89		dB
Total Harmonic Distortion + Noise	THD+N	P <sub>O</sub> = 20mW		-88		dB
Total Harmonic Distortion	THD	P <sub>O</sub> = 5mW		-91	-84	dB
Total Harmonic Distortion Plus Noise	THD+N	P <sub>O</sub> = 5mW		-88		dB
Channel separation (Left/Right)				94		dB
Output noise floor		A-weighted, eDRE software enabled		0.8		μV <sub>RMS</sub>
PSRR (DBVDDn, LDOVDD, CPVDD, AVDD)	PSRR	100mV (peak-peak) 217Hz		89		dB
		100mV (peak-peak) 10kHz		72		
PSRR (SPKVDDL, SPKVDDR)	PSRR	100mV (peak-peak) 217Hz		>120		dB
		100mV (peak-peak) 10kHz		>120		
<b>DAC to Headphone Output (HPOUTnL, HPOUTnR, R<sub>L</sub> = 16Ω, Short Circuit Protection disabled)</b>						
Maximum output power	P <sub>O</sub>	0.1% THD+N		42		mW
Signal to Noise Ratio (A-weighted)	SNR	Output signal = 1V <sub>rms</sub>	107	115		dB
		Output signal = 1V <sub>rms</sub> , eDRE software enabled		121		
Total Harmonic Distortion	THD	P <sub>O</sub> = 20mW		-88		dB
Total Harmonic Distortion + Noise	THD+N	P <sub>O</sub> = 20mW		-87		dB
Total Harmonic Distortion	THD	P <sub>O</sub> = 5mW		-88	-84	dB
Total Harmonic Distortion + Noise	THD+N	P <sub>O</sub> = 5mW		-87		dB
Channel separation (Left/Right)				92		dB
Output noise floor		A-weighted, eDRE software enabled		0.8		μV <sub>RMS</sub>
PSRR (DBVDDn, LDOVDD, CPVDD, AVDD)	PSRR	100mV (peak-peak) 217Hz		89		dB
		100mV (peak-peak) 10kHz		72		
PSRR (SPKVDDL, SPKVDDR)	PSRR	100mV (peak-peak) 217Hz		>120		dB
		100mV (peak-peak) 10kHz		>120		

**Test Conditions**

DBVDD1 = DBVDD2 = DBVDD3 = CPVDD = AVDD = 1.8V,  
 DCVDD = 1.2V (powered from LDO1), MICVDD = 2.5V (powered from LDO2), SPKVDDL = SPKVDDR = 4.2V,  
 T<sub>A</sub> = +25°C, 1kHz sinusoid signal, fs = 48kHz, PGA gain = 0dB, 24-bit audio data unless otherwise stated.

PARAMETER	SYMBOL	TEST CONDITIONS	MIN	TYP	MAX	UNIT
<b>DAC to Earpiece Output (HPOUTnL, HPOUTnR, Mono Mode, R<sub>L</sub> = 32Ω BTL, Short Circuit Protection disabled)</b>						
Maximum output power	P <sub>O</sub>	0.1% THD+N		106		mW
Signal to Noise Ratio (A-weighted)	SNR	Output signal = 1.41Vrms		117		dB
		Output signal = 1.41Vrms, eDRE software enabled		126		
Total Harmonic Distortion	THD	P <sub>O</sub> = 75mW		-88		dB
Total Harmonic Distortion + Noise	THD+N	P <sub>O</sub> = 75mW		-86		dB
Total Harmonic Distortion	THD	P <sub>O</sub> = 5mW		-89		dB
Total Harmonic Distortion + Noise	THD+N	P <sub>O</sub> = 5mW		-88		dB
Output noise floor		A-weighted		2.25		μV <sub>RMS</sub>
PSRR (DBVDDn, LDOVDD, CPVDD, AVDD)	PSRR	100mV (peak-peak) 217Hz		105		dB
		100mV (peak-peak) 10kHz		107		
PSRR (SPKVDDL, SPKVDDR)	PSRR	100mV (peak-peak) 217Hz		>120		dB
		100mV (peak-peak) 10kHz		>120		
<b>DAC to Earpiece Output (HPOUTnL, HPOUTnR, Mono Mode, R<sub>L</sub> = 16Ω BTL, Short Circuit Protection disabled)</b>						
Maximum output power	P <sub>O</sub>	0.1% THD+N		105		mW
Signal to Noise Ratio (A-weighted)	SNR	Output signal = 1.41Vrms		117		dB
		Output signal = 1.41Vrms, eDRE software enabled		126		
Total Harmonic Distortion	THD	P <sub>O</sub> = 75mW		-86		dB
Total Harmonic Distortion + Noise	THD+N	P <sub>O</sub> = 75mW		-85		dB
Total Harmonic Distortion	THD	P <sub>O</sub> = 5mW		-86		dB
Total Harmonic Distortion + Noise	THD+N	P <sub>O</sub> = 5mW		-85		dB
Output noise floor		A-weighted		2.25		μV <sub>RMS</sub>
PSRR (DBVDDn, LDOVDD, CPVDD, AVDD)	PSRR	100mV (peak-peak) 217Hz		105		dB
		100mV (peak-peak) 10kHz		112		
PSRR (SPKVDDL, SPKVDDR)	PSRR	100mV (peak-peak) 217Hz		>120		dB
		100mV (peak-peak) 10kHz		>120		

### Test Conditions

DBVDD1 = DBVDD2 = DBVDD3 = CPVDD = AVDD = 1.8V,  
 DCVDD = 1.2V (powered from LDO1), MICVDD = 2.5V (powered from LDO2), SPKVDDL = SPKVDDR = 4.2V,  
 T<sub>A</sub> = +25°C, 1kHz sinusoid signal, fs = 48kHz, PGA gain = 0dB, 24-bit audio data unless otherwise stated.

PARAMETER	SYMBOL	TEST CONDITIONS	MIN	TYP	MAX	UNIT
<b>DAC to Speaker Output (SPKOUTLP+SPKOUTLN, SPKOUTRP+SPKOUTRN; Load = 8Ω, 22μH, BTL)</b>						
Maximum output power	P <sub>O</sub>	SPKVDD = 5.0V, 1% THD+N		1.4		W
		SPKVDD = 4.2V, 1% THD+N		1.0		
		SPKVDD = 3.6V, 1% THD+N		0.7		
Signal to Noise Ratio	SNR	A-weighted, Output signal = 2.83Vrms	85	95		dB
Total Harmonic Distortion	THD	P <sub>O</sub> = 1.0W		-40		dB
Total Harmonic Distortion + Noise	THD+N	P <sub>O</sub> = 1.0W		-40		dB
Total Harmonic Distortion	THD	P <sub>O</sub> = 0.5W		-70	-59	dB
Total Harmonic Distortion + Noise	THD+N	P <sub>O</sub> = 0.5W		-69		dB
Channel separation (Left/Right)				80		dB
Output noise floor		A-weighted		51.2	177	μV <sub>RMS</sub>
PSRR (DBVDDn, LDOVDD, CPVDD, AVDD)	PSRR	100mV (peak-peak) 217Hz		76		dB
		100mV (peak-peak) 10kHz		68		
PSRR (SPKVDDL, SPKVDDR)	PSRR	100mV (peak-peak) 217Hz		72		dB
		100mV (peak-peak) 10kHz		55		
<b>DAC to Speaker Output (SPKOUTLP+SPKOUTLN, SPKOUTRP+SPKOUTRN; Load = 4Ω, 15μH, BTL)</b>						
Maximum output power	P <sub>O</sub>	SPKVDD = 5.0V, 1% THD+N		2.5		W
		SPKVDD = 4.2V, 1% THD+N		1.8		
		SPKVDD = 3.6V, 1% THD+N		1.3		
Signal to Noise Ratio	SNR	A-weighted, Output signal = 2.83Vrms		95		dB
Total Harmonic Distortion	THD	P <sub>O</sub> = 1.0W		-70		dB
Total Harmonic Distortion + Noise	THD+N	P <sub>O</sub> = 1.0W		-69		dB
Total Harmonic Distortion	THD	P <sub>O</sub> = 0.5W		-69		dB
Total Harmonic Distortion + Noise	THD+N	P <sub>O</sub> = 0.5W		-68		dB
Channel separation (Left/Right)				80		dB
Output noise floor		A-weighted		51.2		μV <sub>RMS</sub>
PSRR (DBVDDn, LDOVDD, CPVDD, AVDD)	PSRR	100mV (peak-peak) 217Hz		76		dB
		100mV (peak-peak) 10kHz		68		
PSRR (SPKVDDL, SPKVDDR)	PSRR	100mV (peak-peak) 217Hz		72		dB
		100mV (peak-peak) 10kHz		55		

### Test Conditions

The following electrical characteristics are valid across the full range of recommended operating conditions.

PARAMETER	SYMBOL	TEST CONDITIONS	MIN	TYP	MAX	UNIT
<b>Digital Input / Output (except DMICDATn and DMICCLKn)</b>						
<b>Digital I/O is referenced to DBVDD1, DBVDD2 or DBVDD3. See "Pin Description" for the domain applicable to each pin.</b>						
Input HIGH Level	$V_{IH}$	$V_{DBVDDn} = 1.8V \pm 10\%$	$0.75 \times V_{DBVDDn}$			V
		$V_{DBVDDn} = 2.5V \pm 10\%$	$0.8 \times V_{DBVDDn}$			
		$V_{DBVDDn} = 3.3V \pm 10\%$	$0.7 \times V_{DBVDDn}$			
Input LOW Level	$V_{IL}$	$V_{DBVDDn} = 1.8V \pm 10\%$			$0.3 \times V_{DBVDDn}$	V
		$V_{DBVDDn} = 2.5V \pm 10\%$			$0.25 \times V_{DBVDDn}$	
		$V_{DBVDDn} = 3.3V \pm 10\%$			$0.2 \times V_{DBVDDn}$	
Note that digital input pins should not be left unconnected or floating.						
Output HIGH Level ( $I_{OH} = 1mA$ )	$V_{OH}$	$V_{DBVDDn} = 1.8V \pm 10\%$	$0.75 \times V_{DBVDDn}$			V
		$V_{DBVDDn} = 2.5V \pm 10\%$	$0.65 \times V_{DBVDDn}$			
		$V_{DBVDDn} = 3.3V \pm 10\%$	$0.7 \times V_{DBVDDn}$			
Output LOW Level ( $I_{OL} = 1mA$ )	$V_{OL}$	$V_{DBVDDn} = 1.8V \pm 10\%$			$0.25 \times V_{DBVDDn}$	V
		$V_{DBVDDn} = 2.5V \pm 10\%$			$0.3 \times V_{DBVDDn}$	
		$V_{DBVDDn} = 3.3V \pm 10\%$			$0.15 \times V_{DBVDDn}$	
Input capacitance					5	pF
Input leakage			-10		10	$\mu A$
Pull-up / pull-down resistance (where applicable)			36		50	k $\Omega$
<b>Digital Microphone Input / Output (DMICDATn and DMICCLKn)</b>						
<b>DMICDATn and DMICCLKn are each referenced to a selectable supply, <math>V_{SUP}</math>, according to the INn_DMIC_SUP registers</b>						
DMICDATn input HIGH Level	$V_{IH}$		$0.65 \times V_{SUP}$			V
DMICDATn input LOW Level	$V_{IL}$				$0.35 \times V_{SUP}$	V
DMICCLKn output HIGH Level	$V_{OH}$	$I_{OH} = 1mA$	$0.8 \times V_{SUP}$			V
DMICCLKn output LOW Level	$V_{OL}$	$I_{OL} = -1mA$			$0.2 \times V_{SUP}$	V
Input capacitance				25		pF
Input leakage			-1		1	$\mu A$
<b>General Purpose Input / Output (GPIO)</b>						
Clock output frequency		GPIO pin configured as OPCLK or FLL output			50	MHz
<b>General Purpose Switch</b>						
The GPSWA pin should be positive-biased with respect to GPSWB. The GPSWB pin voltage must not exceed GPSWA + 0.3V.						
Switch resistance	$R_{DS(ON)}$	Switch closed, $I = 1mA$			40	$\Omega$
Switch resistance	$R_{DS(OFF)}$	Switch open	100			M $\Omega$

**Test Conditions**
 $f_s \leq 48\text{kHz}$ 

With the exception of the condition(s) noted above, the following electrical characteristics are valid across the full range of recommended operating conditions.

PARAMETER	SYMBOL	TEST CONDITIONS	MIN	TYP	MAX	UNIT
<b>ADC Decimation Filters</b>						
Passband		+/- 0.05dB	0		0.454 fs	
		-6dB		0.5 fs		
Passband ripple					+/- 0.05	dB
Stopband			0.546 fs			
Stopband attenuation		$f > 0.546\text{ fs}$	85			dB
Group delay					2	ms
<b>DAC Interpolation Filters</b>						
Passband		+/- 0.05dB	0		0.454 fs	
		-6dB		0.5 fs		
Passband ripple					+/- 0.05	dB
Stopband			0.546 fs			
Stopband attenuation		$f > 0.546\text{ fs}$	85			dB
Group delay					1.5	ms

**Test Conditions**

DBVDD1 = DBVDD2 = DBVDD3 = CPVDD = AVDD = 1.8V,

DCVDD = 1.2V (powered from LDO1), MICVDD = 2.5V (powered from LDO2), SPKVDDL = SPKVDDR = 4.2V,

 T<sub>A</sub> = +25°C, 1kHz sinusoid signal, fs = 48kHz, PGA gain = 0dB, 24-bit audio data unless otherwise stated.

PARAMETER	SYMBOL	TEST CONDITIONS	MIN	TYP	MAX	UNIT	
<b>Microphone Bias (MICBIAS1, MICBIAS2, MICBIAS3)</b>							
Note - No capacitor on MICBIASn							
Note - In regulator mode, it is required that $V_{MICVDD} - V_{MICBIAS} > 200mV$							
Minimum Bias Voltage	V <sub>MICBIAS</sub>	Regulator mode (MICBn_BYPASS=0) Load current ≤ 1.0mA		1.5		V	
Maximum Bias Voltage				2.8		V	
Bias Voltage output step size					0.1		V
Bias Voltage accuracy				-5%		+5%	V
Bias Current		Regulator mode (MICBn_BYPASS=0), V <sub>MICVDD</sub> - V <sub>MICBIAS</sub> > 200mV			2.4	mA	
		Bypass mode (MICBn_BYPASS=1)			5.0		
Output Noise Density		Regulator mode (MICBn_BYPASS=0), MICBn_LVL = 4h, Load current = 1mA, Measured at 1kHz		100		nV/√Hz	
Integrated noise voltage		Regulator mode (MICBn_BYPASS=0), MICBn_LVL = 4h, Load current = 1mA, 100Hz to 7kHz, A-weighted		5		μVrms	
Power Supply Rejection Ratio (DBVDDn, LDOVDD, CPVDD, AVDD)	PSRR	100mV (peak-peak) 217Hz	100			dB	
		100mV (peak-peak) 10kHz	80				
Load capacitance		Regulator mode (MICBn_BYPASS=0), MICBn_EXT_CAP=0			50	pF	
		Regulator mode (MICBn_BYPASS=0), MICBn_EXT_CAP=1	1.8	4.7		μF	
Output discharge resistance		MICBn_ENA=0, MICBn_DISCH=1		2		kΩ	



**Test Conditions**

DBVDD1 = DBVDD2 = DBVDD3 = CPVDD = AVDD = 1.8V,  
 DCVDD = 1.2V (powered from LDO1), MICVDD = 2.5V (powered from LDO2), SPKVDDL = SPKVDDR = 4.2V,  
 T<sub>A</sub> = +25°C, 1kHz sinusoid signal, fs = 48kHz, PGA gain = 0dB, 24-bit audio data unless otherwise stated.

PARAMETER	SYMBOL	TEST CONDITIONS	MIN	TYP	MAX	UNIT
<b>External Accessory Detect</b>						
Load impedance detection range Detection via HPDETL pin (ACCDDET_MODE=001) or HPDETR pin (ACCDDET_MODE=010)		HP_IMPEDANCE_ RANGE=00	4		30	Ω
		HP_IMPEDANCE_ RANGE=01	8		100	
		HP_IMPEDANCE_ RANGE=10	100		1000	
		HP_IMPEDANCE_ RANGE=11	1000		10000	
Load impedance detection range Detection via MICDET1 or MICDET2 pin (ACCDDET_MODE=100)			400		6000	Ω
Load impedance detection accuracy (result derived from HP_DACVAL, ACCDDET_MODE=001 or 010)		HP_IMPEDANCE_ RANGE=01 or 10	-5		+5	%
		HP_IMPEDANCE_ RANGE=00 or 11	-10		+10	
Load impedance detection accuracy (result derived from HP_LVL, ACCDDET_MODE= 001, 010 or 100)			-20		+20	%
Load impedance detection range Detection via MICDET1 or MICDET2 pin (ACCDDET_MODE=000). 2.2kΩ (2%) MICBIAS resistor. Note these characteristics assume no other component is connected to MICDETn. See “Applications Information” for recommended external components when a typical microphone is present.		for MICD_LVL[0] = 1	0		3	Ω
		for MICD_LVL[1] = 1	17		21	
		for MICD_LVL[2] = 1	36		44	
		for MICD_LVL[3] = 1	62		88	
		for MICD_LVL[4] = 1	115		160	
		for MICD_LVL[5] = 1	207		381	
		for MICD_LVL[8] = 1	475		30000	
Jack Detection input threshold voltage (JACKDET)	V <sub>JACKDET</sub>	Jack insertion		0.5 x AVDD		V
		Jack removal		0.85 x AVDD		

### Test Conditions

DBVDD1 = DBVDD2 = DBVDD3 = CPVDD = AVDD = 1.8V,  
 DCVDD = 1.2V (powered from LDO1), MICVDD = 2.5V (powered from LDO2), SPKVDDL = SPKVDDR = 4.2V,  
 T<sub>A</sub> = +25°C, 1kHz sinusoid signal, fs = 48kHz, PGA gain = 0dB, 24-bit audio data unless otherwise stated.

PARAMETER	SYMBOL	TEST CONDITIONS	MIN	TYP	MAX	UNIT
<b>MICVDD Charge Pump and Regulator (CP2 and LDO2)</b>						
Output voltage	V <sub>MICVDD</sub>		0.9	2.7	3.3	V
Programmable output voltage step size		LDO2_VSEL=00h to 14h (0.9V to 1.4V)		25		mV
		LDO2_VSEL=14h to 27h (1.4V to 3.3V)		100		
Maximum output current				8		mA
Start-up time		4.7µF on MICVDD		1.5	2.5	ms
<b>Frequency Locked Loop (FLL1, FLL2)</b>						
Output frequency			39		156	MHz
Lock Time		F <sub>REF</sub> = 32kHz, F <sub>OUT</sub> = 147.456MHz		10		ms
		F <sub>REF</sub> = 12MHz, F <sub>OUT</sub> = 147.456MHz		1		
<b>RESET pin Input</b>						
RESET input pulse width (To trigger a Hardware Reset, the RESET input must be asserted for longer than this duration)			1			µs

### Test Conditions

The following electrical characteristics are valid across the full range of recommended operating conditions.

<b>Device Reset Thresholds</b>						
AVDD Reset Threshold	V <sub>AVDD</sub>	V <sub>AVDD</sub> rising			1.56	V
		V <sub>AVDD</sub> falling	0.92		1.55	
DCVDD Reset Threshold	V <sub>DCVDD</sub>	V <sub>DCVDD</sub> rising			1.04	V
		V <sub>DCVDD</sub> falling	0.49		0.64	
DBVDD1 Reset Threshold	V <sub>DBVDD1</sub>	V <sub>DBVDD1</sub> rising			1.54	V
		V <sub>DBVDD1</sub> falling	0.58		1.52	
<p>Note that the reset thresholds are derived from simulations only, across all operational and process corners.            Device performance is not assured outside the voltage ranges defined in the "Recommended Operating Conditions" section.            Refer to this section for the WM8281 power-up sequencing requirements.</p>						

---

**TERMINOLOGY**

1. Signal-to-Noise Ratio (dB) – SNR is a measure of the difference in level between the maximum full scale output signal and the output with no input signal applied. (Note that this is measured without any mute function enabled.)
2. Total Harmonic Distortion (dB) – THD is the ratio of the RMS sum of the harmonic distortion products in the specified bandwidth (see note below) relative to the RMS amplitude of the fundamental (ie. test frequency) output.
3. Total Harmonic Distortion plus Noise (dB) – THD+N is the ratio of the RMS sum of the harmonic distortion products plus noise in the specified bandwidth (see note below) relative to the RMS amplitude of the fundamental (ie. test frequency) output.
4. Power Supply Rejection Ratio (dB) - PSRR is the ratio of a specified power supply variation relative to the output signal that results from it. PSRR is measured under quiescent signal path conditions.
5. Common Mode Rejection Ratio (dB) – CMRR is the ratio of a specified input signal (applied to both sides of a differential input), relative to the output signal that results from it.
6. Channel Separation (L/R) (dB) – left-to-right and right-to-left channel separation is the difference in level between the active channel (driven to maximum full scale output) and the measured signal level in the idle channel at the test signal frequency. The active channel is configured and supplied with an appropriate input signal to drive a full scale output, with signal measured at the output of the associated idle channel.
7. Multi-Path Crosstalk (dB) – is the difference in level between the output of the active path and the measured signal level in the idle path at the test signal frequency. The active path is configured and supplied with an appropriate input signal to drive a full scale output, with signal measured at the output of the specified idle path.
8. Mute Attenuation – This is a measure of the difference in level between the full scale output signal and the output with mute applied.
9. All performance measurements are specified with a 20kHz low pass 'brick-wall' filter and, where noted, an A-weighted filter. Failure to use these filters will result in higher THD and lower SNR readings than are found in the Electrical Characteristics. The low pass filter removes out-of-band noise.

---

**THERMAL CHARACTERISTICS**

PARAMETER	SYMBOL	MIN	TYP	MAX	UNIT
Junction-to-ambient thermal resistance	$\Theta_{JA}$		34.1		°C/W
Junction-to-board thermal resistance	$\Theta_{JB}$		9.8		°C/W
Junction-to-case thermal resistance	$\Theta_{JC}$		0.6		°C/W
Junction-to-board thermal characterisation parameter	$\Psi_{JB}$		8.8		°C/W
Junction-to-top thermal characterisation parameter	$\Psi_{JT}$		0.03		°C/W

**Notes:**

1. The Thermal Characteristics data is based on simulated test results, with reference to JEDEC JESD51 standards.
2. The thermal resistance ( $\Theta$ ) parameters describe the thermal behaviour in a standardised measurement environment.
3. The thermal characterisation ( $\Psi$ ) parameters describe the thermal behaviour in the environment of a typical application.

## TYPICAL PERFORMANCE

### TYPICAL POWER CONSUMPTION

Typical power consumption data is provided below for a number of different operating conditions.

**Test Conditions:**

DCVDD = 1.2V,

DBVDD1 = DBVDD2 = DBVDD3 = LDOVDD = CPVDD = AVDD = 1.8V,

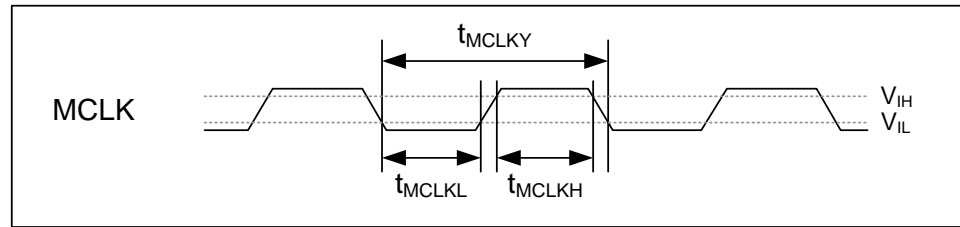
SPKVDDL = SPKVDDR = 4.2V,

MICVDD = 3.0V (powered from LDO2), T<sub>A</sub> = +25°C.

OPERATING MODE	TEST CONDITIONS	SUPPLY CURRENT (1.2V)	SUPPLY CURRENT (1.8V)	SUPPLY CURRENT (4.2V)	TOTAL POWER
<b>Music Playback to Headphone</b>					
AIF1 to DAC to HPOUT1 (stereo) fs=48kHz, 24-bit I2S, Slave mode Load = 32Ω, eDRE software enabled.	Quiescent	2.3mA	1.1mA	0.0mA	4.7mW
	1kHz sine wave, P <sub>O</sub> =10mW	2.4mA	35.6mA	0.0mA	66.9mW
<b>Music Playback to Line Output</b>					
AIF1 to DAC to HPOUT2 (stereo) fs=48kHz, 24-bit I2S, Slave mode Load = 10kΩ, 50pF, eDRE software enabled.	Quiescent	2.3mA	1mA	0.0mA	4.6mW
<b>Music Playback to Earpiece</b>					
AIF1 to DAC to HPOUT3 (mono) fs=48kHz, 24-bit I2S, Slave mode Load = 32Ω, BTL, eDRE software enabled.	Quiescent	1.53mA	1.2mA	0.0mA	4.0mW
	1kHz sine wave, P <sub>O</sub> =30mW	1.3mA	60.6mA	0.0mA	110.6mW
<b>Music Playback to Speaker</b>					
AIF1 to DAC to SPKOUT (stereo) fs=48kHz, 24-bit I2S, Slave mode Load = 8Ω, 22μH, BTL.	Quiescent	1.54mA	2.12mA	3.76mA	21.5mW
	1kHz sine wave, P <sub>O</sub> =700mW	1.62mA	2.15mA	372mA	1568mW
<b>Full Duplex Voice Call</b>					
Analogue Mic to ADC to AIF1 (out) AIF (in) to DAC to HPOUT3 (mono) fs=8kHz, 16-bit I2S, Slave mode. MEMS microphone powered from regulated MICBIAS (2.2V) output. Earpiece load = 32Ω, BTL.	Quiescent	2.6mA	4.2mA	0.0mA	10.7mW
<b>Stereo Line Record</b>					
Analogue Line to ADC to AIF1 fs=48kHz, 24-bit I2S, Slave mode	1kHz sine wave, -1dBFS out	1.2mA	1.5mA	0.0mA	4.1mW
<b>Sleep Mode</b>					
Accessory detect enabled (JD1_ENA=1)		0mA	0.022mA	0.0mA	0.039mW

**TYPICAL SIGNAL LATENCY**

OPERATING MODE	TEST CONDITIONS			LATENCY
	INPUT	OUTPUT	DIGITAL CORE	
<b>AIF to DAC Stereo Path</b>				
Digital input (AIFn) to analogue output (HPOUT). Signal is routed via the digital core ASRC function in the asynchronous test cases only.	fs = 48kHz	fs = 48kHz	Synchronous	358µs
	fs = 44.1kHz	fs = 44.1kHz	Synchronous	391µs
	fs = 16kHz	fs = 16kHz	Synchronous	720µs
	fs = 8kHz	fs = 8kHz	Synchronous	1428µs
	fs = 8kHz	fs = 44.1kHz	Asynchronous	1940µs
	fs = 16kHz	fs = 44.1kHz	Asynchronous	1240µs
<b>ADC to AIF Stereo Path</b>				
Analogue input (INn) to digital output (AIFn). Digital core High Pass filter included in signal path. Signal is routed via the digital core ASRC function in the asynchronous test cases only.	fs = 48kHz	fs = 48kHz	Synchronous	244µs
	fs = 44.1kHz	fs = 44.1kHz	Synchronous	260µs
	fs = 16kHz	fs = 16kHz	Synchronous	890µs
	fs = 8kHz	fs = 8kHz	Synchronous	1856µs
	fs = 44.1kHz	fs = 8kHz	Asynchronous	1320µs
	fs = 44.1kHz	fs = 16kHz	Asynchronous	820µs

**SIGNAL TIMING REQUIREMENTS**
**SYSTEM CLOCK & FREQUENCY LOCKED LOOP (FLL)**

**Figure 1 Master Clock Timing**
**Test Conditions**

The following timing information is valid across the full range of recommended operating conditions.

PARAMETER	TEST CONDITIONS	MIN	TYP	MAX	UNIT
<b>Master Clock Timing (MCLK1, MCLK2)</b>					
MCLK cycle time	MCLK as input to FLL, FLLn_REFCLK_DIV=00	74			ns
	MCLK as input to FLL, FLLn_REFCLK_DIV=01	37			
	MCLK as input to FLL, FLLn_REFCLK_DIV=10	18			
	MCLK as input to FLL, FLLn_REFCLK_DIV=11	12.5			
	MCLK as direct SYSCLK or ASYNCCLK source	40			
MCLK duty cycle	MCLK as input to FLL	80:20		20:80	%
	MCLK as direct SYSCLK or ASYNCCLK source	60:40		40:60	
MCLK2 frequency	Sleep Mode			32.768	kHz
<b>Frequency Locked Loops (FLL1, FLL2)</b>					
FLL input frequency	FLLn_REFCLK_DIV=00	0.032		13.5	MHz
	FLLn_REFCLK_DIV=01	0.064		27	
	FLLn_REFCLK_DIV=10	0.128		54	
	FLLn_REFCLK_DIV=11	0.256		80	
FLL synchroniser input frequency	FLLn_SYNCCLK_DIV=00	0.032		13.5	MHz
	FLLn_SYNCCLK_DIV=01	0.064		27	
	FLLn_SYNCCLK_DIV=10	0.128		54	
	FLLn_SYNCCLK_DIV=11	0.256		80	

**Test Conditions**

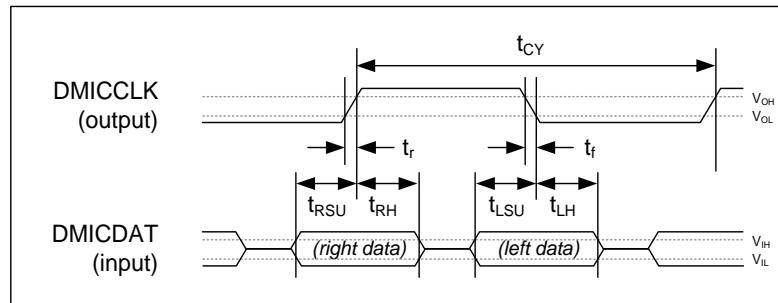
The following timing information is valid across the full range of recommended operating conditions.

PARAMETER	TEST CONDITIONS	MIN	TYP	MAX	UNIT
<b>Internal Clocking</b>					
SYSCLK frequency	SYSCLK_FREQ=000, SYSCLK_FRAC=0	-1%	6.144	+1%	MHz
	SYSCLK_FREQ=000, SYSCLK_FRAC=1	-1%	5.6448	+1%	
	SYSCLK_FREQ=001, SYSCLK_FRAC=0	-1%	12.288	+1%	
	SYSCLK_FREQ=001, SYSCLK_FRAC=1	-1%	11.2896	+1%	
	SYSCLK_FREQ=010, SYSCLK_FRAC=0	-1%	24.576	+1%	
	SYSCLK_FREQ=010, SYSCLK_FRAC=1	-1%	22.5792	+1%	
	SYSCLK_FREQ=011, SYSCLK_FRAC=0	-1%	49.152	+1%	
	SYSCLK_FREQ=011, SYSCLK_FRAC=1	-1%	45.1584	+1%	
	SYSCLK_FREQ=100, SYSCLK_FRAC=0	-1%	73.728	+1%	
	SYSCLK_FREQ=100, SYSCLK_FRAC=1	-1%	67.7376	+1%	
	SYSCLK_FREQ=101, SYSCLK_FRAC=0	-1%	98.304	+1%	
	SYSCLK_FREQ=101, SYSCLK_FRAC=1	-1%	90.3168	+1%	
	SYSCLK_FREQ=110, SYSCLK_FRAC=0	-1%	147.456	+1%	
SYSCLK_FREQ=110, SYSCLK_FRAC=1	-1%	135.4752	+1%		
ASYNCCLK frequency	ASYNC_CLK_FREQ=000	-1%	6.144	+1%	MHz
		-1%	5.6448	+1%	
	ASYNC_CLK_FREQ=001	-1%	12.288	+1%	
		-1%	11.2896	+1%	
	ASYNC_CLK_FREQ=010	-1%	24.576	+1%	
		-1%	22.5792	+1%	
	ASYNC_CLK_FREQ=011	-1%	49.152	+1%	
		-1%	45.1584	+1%	

**Note:**

When MCLK1 or MCLK2 is selected as a source for SYSCLK or ASYNCCLK (either directly or via one of the FLLs), the frequency must be within 1% of the applicable SYSCLK\_FREQ or ASYNCCLK\_FREQ register setting.



**AUDIO INTERFACE TIMING**
**DIGITAL MICROPHONE (DMIC) INTERFACE TIMING**

**Figure 2 Digital Microphone Interface Timing**
**Test Conditions**

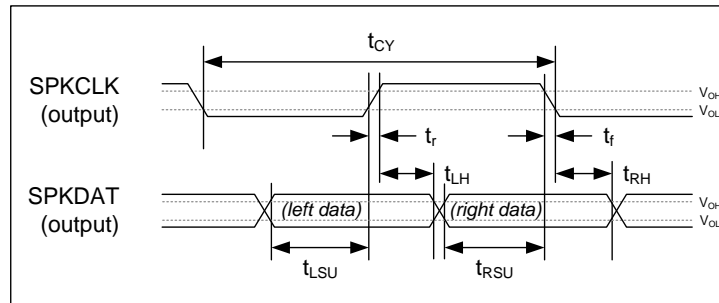
The following timing information is valid across the full range of recommended operating conditions.

PARAMETER	SYMBOL	MIN	TYP	MAX	UNIT
<b>Digital Microphone Interface Timing</b>					
DMICCLKn cycle time	$t_{CY}$	160	163	1432	ns
DMICCLKn duty cycle		45		55	%
DMICCLKn rise/fall time (25pF load, 1.8V supply - see note)	$t_r, t_f$	5		30	ns
DMICDATn (Left) setup time to falling DMICCLK edge	$t_{LSU}$	15			ns
DMICDATn (Left) hold time from falling DMICCLK edge	$t_{LH}$	0			ns
DMICDATn (Right) setup time to rising DMICCLK edge	$t_{RSU}$	15			ns
DMICDATn (Right) hold time from rising DMICCLK edge	$t_{RH}$	0			ns

**Notes:**

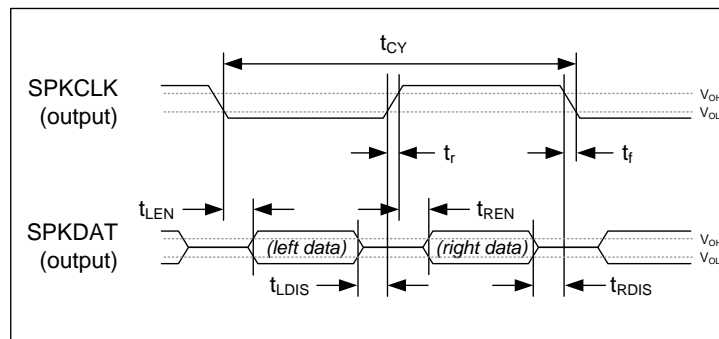
DMICDATn and DMICCLKn are each referenced to a selectable supply,  $V_{SUP}$ .

The applicable supply is selected using the INn\_DMIC\_SUP registers.

**DIGITAL SPEAKER (PDM) INTERFACE TIMING**

**Figure 3 Digital Speaker (PDM) Interface Timing - Mode A**
**Test Conditions**

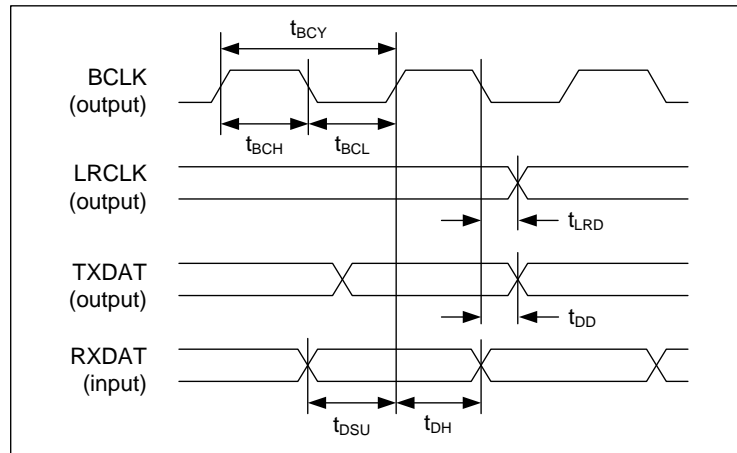
The following timing information is valid across the full range of recommended operating conditions.

PARAMETER	SYMBOL	MIN	TYP	MAX	UNIT
<b>PDM Audio Interface Timing</b>					
SPKCLKn cycle time	$t_{CY}$	160	163	358	ns
SPKCLKn duty cycle		45		55	%
SPKCLKn rise/fall time (25pF load)	$t_r, t_f$	2		8	ns
SPKDATn set-up time to SPKCLKn rising edge (Left channel)	$t_{LSU}$	30			ns
SPKDATn hold time from SPKCLKn rising edge (Left channel)	$t_{LH}$	30			ns
SPKDATn set-up time to SPKCLKn falling edge (Right channel)	$t_{RSU}$	30			ns
SPKDATn hold time from SPKCLKn falling edge (Right channel)	$t_{RH}$	30			ns


**Figure 4 Digital Speaker (PDM) Interface Timing - Mode B**
**Test Conditions**

The following timing information is valid across the full range of recommended operating conditions.

PARAMETER	SYMBOL	MIN	TYP	MAX	UNIT
<b>PDM Audio Interface Timing</b>					
SPKCLKn cycle time	$t_{CY}$	160	163	358	ns
SPKCLKn duty cycle		45		55	%
SPKCLKn rise/fall time (25pF load)	$t_r, t_f$	2		8	ns
SPKDATn enable from SPKCLK rising edge (Right channel)	$t_{REN}$			15	ns
SPKDATn disable to SPKCLK falling edge (Right channel)	$t_{RDIS}$			5	ns
SPKDATn enable from SPKCLK falling edge (Left channel)	$t_{LEN}$			15	ns
SPKDATn disable to SPKCLK rising edge (Left channel)	$t_{LDIS}$			5	ns

**DIGITAL AUDIO INTERFACE - MASTER MODE**

**Figure 5 Audio Interface Timing - Master Mode**

Note that BCLK and LRCLK outputs can be inverted if required; Figure 5 shows the default, non-inverted polarity.

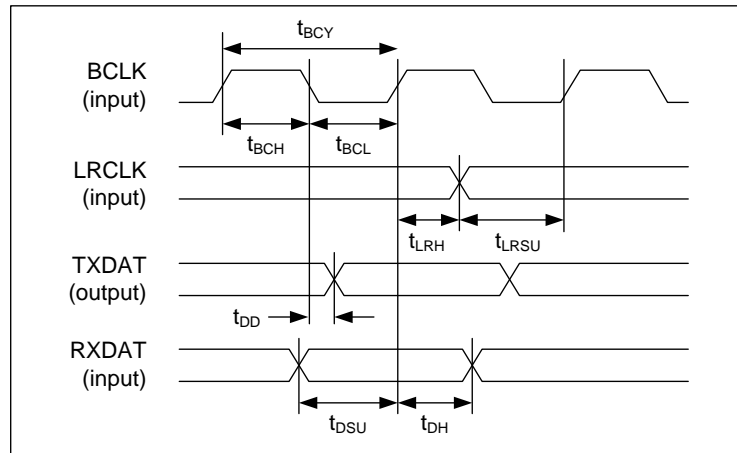
**Test Conditions**

The following timing information is valid across the full range of recommended operating conditions, unless otherwise noted.  $C_{LOAD} = 15\text{pF}$  to  $25\text{pF}$  (output pins). BCLK slew (10% to 90%) = 3.7ns to 5.6ns.

PARAMETER	SYMBOL	MIN	TYP	MAX	UNIT
<b>Audio Interface Timing - Master Mode</b>					
AIFnBCLK cycle time	$t_{BCY}$	40			ns
AIFnBCLK pulse width high	$t_{BCH}$	18			ns
AIFnBCLK pulse width low	$t_{BCL}$	18			ns
AIFn[TX/RX]LRCLK propagation delay from BCLK falling edge	$t_{LRD}$	0		8.3	ns
AIFnTXDAT propagation delay from BCLK falling edge	$t_{DD}$	0		5	ns
AIFnRXDAT setup time to BCLK rising edge	$t_{DSU}$	9.2			ns
AIFnRXDAT hold time from BCLK rising edge	$t_{DH}$	0			ns
<b>Audio Interface Timing - Master Mode, Slave LRCLK</b>					
AIFnLRCLK setup time to BCLK rising edge	$t_{LRSU}$	14			ns
AIFnLRCLK hold time from BCLK rising edge	$t_{LRH}$	0			ns

**Note:**

The descriptions above assume non-inverted polarity of AIFnBCLK.

**DIGITAL AUDIO INTERFACE - SLAVE MODE**

**Figure 6 Audio Interface Timing - Slave Mode**

Note that BCLK and LRCLK inputs can be inverted if required; Figure 6 shows the default, non-inverted polarity.

**Test Conditions**

The following timing information is valid across the full range of recommended operating conditions, unless otherwise noted.

PARAMETER		SYMBOL	MIN	TYP	MAX	UNIT
<b>Audio Interface Timing - Slave Mode</b>						
AIFnBCLK cycle time		$t_{BCY}$	40			ns
AIFnBCLK pulse width high	BCLK as direct SYSCLK or ASYNCCLK source	$t_{BCH}$	16			ns
	All other conditions		14			
AIFnBCLK pulse width low	BCLK as direct SYSCLK or ASYNCCLK source	$t_{BCL}$	16			ns
	All other conditions		14			
<b>Audio Interface Timing - Slave Mode</b> $C_{LOAD} = 15\text{pF}$ (output pins). BCLK slew (10% to 90%) = 3ns.						
AIFn[TX/RX]LRCLK set-up time to BCLK rising edge		$t_{LRSU}$	7			ns
AIFn[TX/RX]LRCLK hold time from BCLK rising edge		$t_{LRH}$	0			ns
AIFnTXDAT propagation delay from BCLK falling edge		$t_{DD}$	0		10.7	ns
AIFnRXDAT set-up time to BCLK rising edge		$t_{DSU}$	2			ns
AIFnRXDAT hold time from BCLK rising edge		$t_{DH}$	0			ns
<b>Audio Interface Timing - Slave Mode</b> $C_{LOAD} = 25\text{pF}$ (output pins). BCLK slew (10% to 90%) = 6ns.						
AIFn[TX/RX]LRCLK set-up time to BCLK rising edge		$t_{LRSU}$	7			ns
AIFn[TX/RX]LRCLK hold time from BCLK rising edge		$t_{LRH}$	0			ns
AIFnTXDAT propagation delay from BCLK falling edge		$t_{DD}$	0		12.7	ns
AIFnRXDAT set-up time to BCLK rising edge		$t_{DSU}$	2			ns
AIFnRXDAT hold time from BCLK rising edge		$t_{DH}$	0			ns
<b>Audio Interface Timing - Slave Mode, Master LRCLK</b>						
AIFn[TX/RX]LRCLK propagation delay from BCLK falling edge $C_{LOAD} = 15\text{pF}$ (output pins). BCLK slew (10% to 90%) = 3ns.		$t_{LTD}$			14.8	ns
AIFn[TX/RX]LRCLK propagation delay from BCLK falling edge $C_{LOAD} = 25\text{pF}$ (output pins). BCLK slew (10% to 90%) = 6ns.					15.9	

**Notes:**

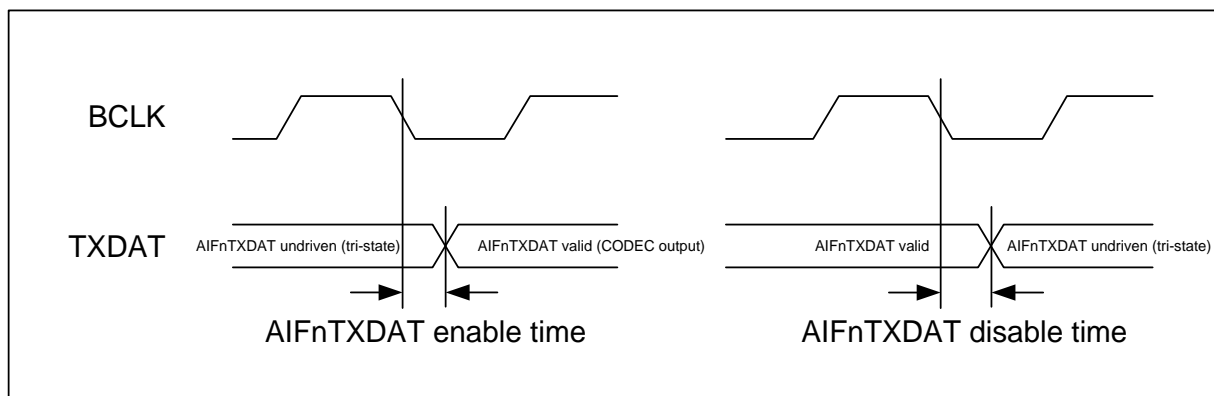
The descriptions above assume non-inverted polarity of AIFnBCLK.

When AIFnBCLK or AIFnLRCLK is selected as a source for SYSCLK or ASYNCCLK (either directly or via one of the FLLs), the frequency must be within 1% of the applicable SYSCLK\_FREQ or ASYNCCLK\_FREQ register setting.

**DIGITAL AUDIO INTERFACE - TDM MODE**

When TDM operation is used on the AIFnTXDAT pins, it is important that two devices do not attempt to drive the AIFnTXDAT pin simultaneously. To support this requirement, the AIFnTXDAT pins can be configured to be tri-stated when not outputting data.

The timing of the AIFnTXDAT tri-stating at the start and end of the data transmission is described in Figure 7 below.



**Figure 7 Audio Interface Timing - TDM Mode**

**Test Conditions**

The following timing information is valid across the full range of recommended operating conditions, unless otherwise noted.

PARAMETER	MIN	TYP	MAX	UNIT
<b>TDM Timing - Master Mode</b>				
$C_{LOAD}$ (AIFnTXDAT) = 15pF to 25pF. BCLK slew (10% to 90%) = 3.7ns to 5.6ns.				
AIFnTXDAT enable time from BCLK falling edge	0			ns
AIFnTXDAT disable time from BCLK falling edge			6	ns
<b>TDM Timing - Slave Mode</b>				
$C_{LOAD}$ (AIFnTXDAT) = 15pF. BCLK slew (10% to 90%) = 3ns.				
AIFnTXDAT enable time from BCLK falling edge	2			ns
AIFnTXDAT disable time from BCLK falling edge			10.7	ns
<b>TDM Timing - Slave Mode</b>				
$C_{LOAD}$ (AIFnTXDAT) = 25pF. BCLK slew (10% to 90%) = 6ns				
AIFnTXDAT enable time from BCLK falling edge	2			ns
AIFnTXDAT disable time from BCLK falling edge			12.7	ns

## CONTROL INTERFACE TIMING

### 2-WIRE (I2C) CONTROL MODE

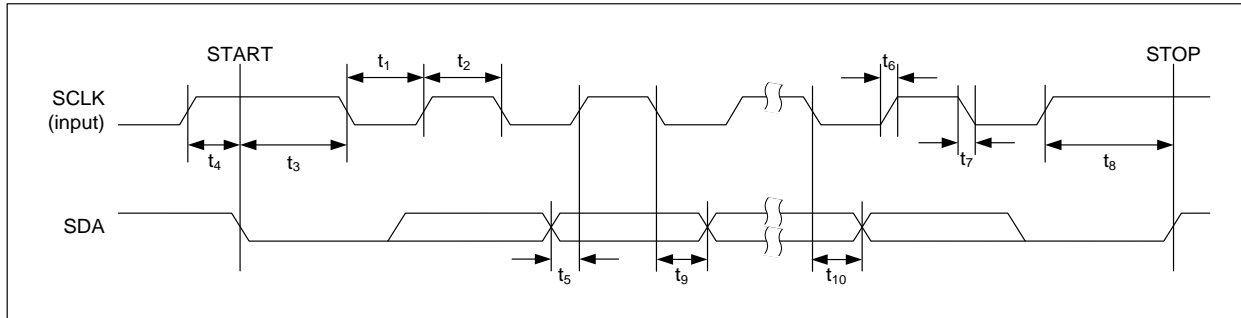
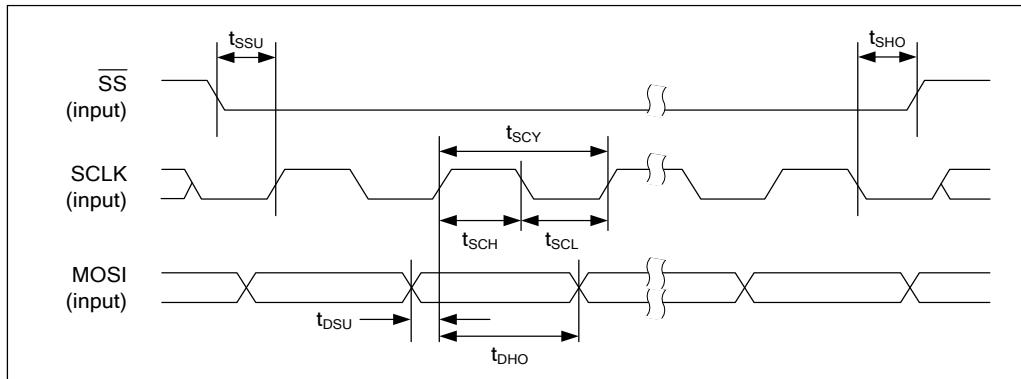
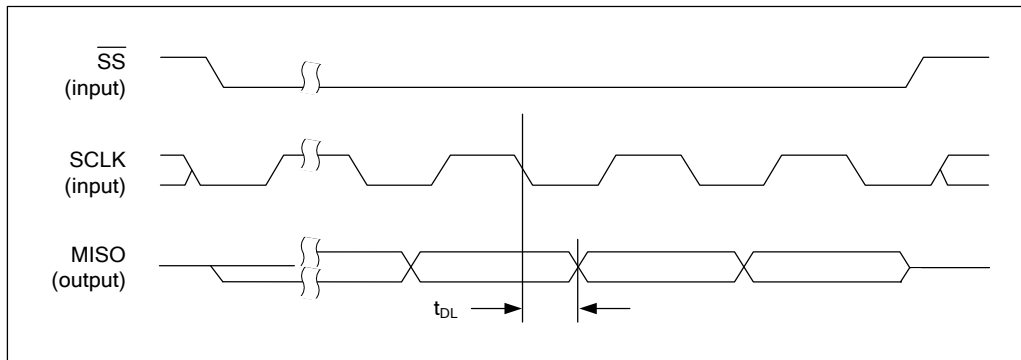


Figure 8 Control Interface Timing - 2-wire (I2C) Control Mode

#### Test Conditions

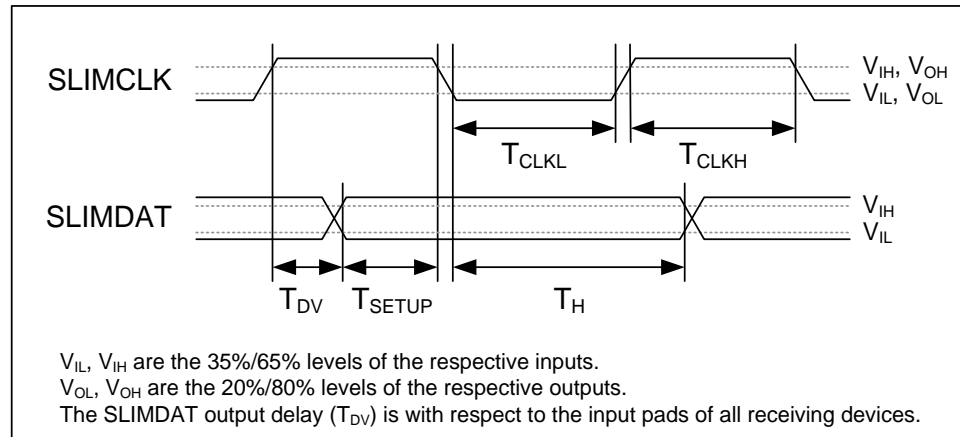
The following timing information is valid across the full range of recommended operating conditions, unless otherwise noted.

PARAMETER		SYMBOL	MIN	TYP	MAX	UNIT
SCLK Frequency					3400	kHz
SCLK Low Pulse-Width		$t_1$	160			ns
SCLK High Pulse-Width		$t_2$	100			ns
Hold Time (Start Condition)		$t_3$	160			ns
Setup Time (Start Condition)		$t_4$	160			ns
SDA, SCLK Rise Time (10% to 90%)	SCLK frequency > 1.7MHz	$t_6$			80	ns
	SCLK frequency > 1MHz			160		
	SCLK frequency $\leq$ 1MHz			2000		
SDA, SCLK Fall Time (90% to 10%)	SCLK frequency > 1.7MHz	$t_7$			60	ns
	SCLK frequency > 1MHz			160		
	SCLK frequency $\leq$ 1MHz			200		
Setup Time (Stop Condition)		$t_8$	160			ns
SDA Setup Time (data input)		$t_5$	40			ns
SDA Hold Time (data input)		$t_9$	0			ns
SDA Valid Time (data/ACK output)	SCLK slew (90% to 10%) = 20ns, $C_{LOAD}$ (SDA) = 15pF	$t_{10}$			40	ns
	SCLK slew (90% to 10%) = 60ns, $C_{LOAD}$ (SDA) = 100pF			130		
	SCLK slew (90% to 10%) = 160ns, $C_{LOAD}$ (SDA) = 400pF			190		
	SCLK slew (90% to 10%) = 200ns, $C_{LOAD}$ (SDA) = 550pF			220		
Pulse width of spikes that will be suppressed		$t_{ps}$	0		25	ns

**4-WIRE (SPI) CONTROL MODE**

**Figure 9 Control Interface Timing - 4-wire (SPI) Control Mode (Write Cycle)**

**Figure 10 Control Interface Timing - 4-wire (SPI) Control Mode (Read Cycle)**
**Test Conditions**

The following timing information is valid across the full range of recommended operating conditions, unless otherwise noted.

PARAMETER		SYMBOL	MIN	TYP	MAX	UNIT
SS falling edge to SCLK rising edge		$t_{SSU}$	2.6			ns
SCLK falling edge to SS rising edge		$t_{SHO}$	0			ns
SCLK pulse cycle time	SYSCLK disabled (SYSCLK_ENA=0)	$t_{SCY}$	38.4			ns
	SYSCLK_ENA=1 and SYSCLK_FREQ = 000		76.8			
	SYSCLK_ENA=1 and SYSCLK_FREQ > 000		38.4			
SCLK pulse width low		$t_{SCL}$	15.3			ns
SCLK pulse width high		$t_{SCH}$	15.3			ns
MOSI to SCLK set-up time		$t_{DSU}$	1.5			ns
MOSI to SCLK hold time		$t_{DHO}$	1.7			ns
SCLK falling edge to MISO transition	SCLK slew (90% to 10%) = 5ns, $C_{LOAD}$ (MISO) = 25pF	$t_{DL}$	0		11.9	ns

**SLIMBUS INTERFACE TIMING**

**Figure 11 SLIMbus Interface Timing**

The signal timing information shown in Figure 11 describe the timing requirements of the SLIMbus interface as a whole, not just the WM8281 device. Accordingly, the following should be noted:

- $T_{DV}$  is the propagation delay from the rising SLIMCLK edge (at WM8281 input) to the SLIMDAT output being achieved at the input to all devices across the bus.
- $T_{SETUP}$  is the set-up time for SLIMDAT input (at WM8281), relative to the falling SLIMCLK edge (at WM8281).
- $T_H$  is the hold time for SLIMDAT input (at WM8281) relative to the falling SLIMCLK edge (at WM8281).

For more details of the interface timing, refer to the MIPI Alliance Specification for Serial Low-power Inter-chip Media Bus (SLIMbus).

**Test Conditions**

The following timing information is valid across the full range of recommended operating conditions, unless otherwise noted.

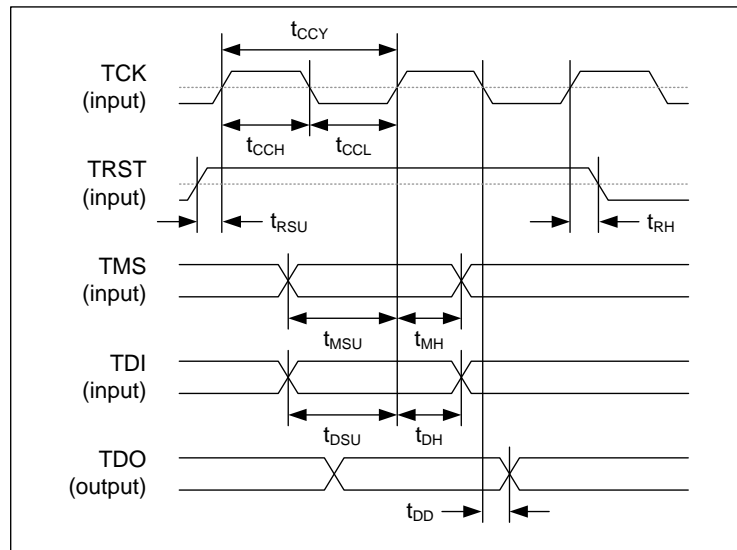
PARAMETER		SYMBOL	MIN	TYP	MAX	UNIT
<b>SLIMCLK Input</b>						
SLIMCLK cycle time			35			ns
SLIMCLK pulse width high		$T_{CLKH}$	12			ns
SLIMCLK pulse width low		$T_{CLKL}$	12			ns
<b>SLIMCLK Output</b>						
SLIMCLK cycle time			40			ns
SLIMCLK pulse width high		$T_{CLKH}$	12			ns
SLIMCLK pulse width low		$T_{CLKL}$	12			ns
SLIMCLK slew rate (20% to 80%)	$C_{LOAD} = 15\text{pF}$ , SLIMCLK_DRV_STR=0	$SR_{CLK}$	0.09 x		0.22 x	V/ns
	$V_{DBVDD1}$			$V_{DBVDD1}$		
	$C_{LOAD} = 70\text{pF}$ , SLIMCLK_DRV_STR=0		0.02 x		0.05 x	
	$C_{LOAD} = 70\text{pF}$ , SLIMCLK_DRV_STR=1		0.04 x		0.11 x	
			$V_{DBVDD1}$		$V_{DBVDD1}$	
<b>SLIMDAT Input</b>						
SLIMDAT setup time to SLIMCLK falling edge		$T_{SETUP}$	3.5			ns
SLIMDAT hold time from SLIMCLK falling edge		$T_H$	2			ns



**Test Conditions**

The following timing information is valid across the full range of recommended operating conditions, unless otherwise noted.

PARAMETER		SYMBOL	MIN	TYP	MAX	UNIT
<b>SLIMDAT Output</b>						
SLIMDAT time for data output valid (wrt SLIMCLK rising edge)	$C_{LOAD} = 15\text{pF}$ , SLIMDAT_DRV_STR=0, DBVDD1=1.62V	$T_{DV}$		4.7	8.1	ns
	$C_{LOAD} = 15\text{pF}$ , SLIMDAT_DRV_STR=1, DBVDD1=1.62V			4.3	7.3	
	$C_{LOAD} = 30\text{pF}$ , SLIMDAT_DRV_STR=0, DBVDD1=1.62V			6.8	11.8	
	$C_{LOAD} = 30\text{pF}$ , SLIMDAT_DRV_STR=1, DBVDD1=1.62V			5.8	10.0	
	$C_{LOAD} = 50\text{pF}$ , SLIMDAT_DRV_STR=0, DBVDD1=1.62V			9.6	16.6	
	$C_{LOAD} = 50\text{pF}$ , SLIMDAT_DRV_STR=1, DBVDD1=1.62V			7.9	13.7	
	$C_{LOAD} = 70\text{pF}$ , SLIMDAT_DRV_STR=0, DBVDD1=1.62V			12.4	21.5	
	$C_{LOAD} = 70\text{pF}$ , SLIMDAT_DRV_STR=1, DBVDD1=1.62V			10.0	17.4	
SLIMDAT slew rate (20% to 80%)	$C_{LOAD} = 15\text{pF}$ , SLIMDAT_DRV_STR=0	$SR_{DATA}$			0.64 x $V_{DBVDD1}$	V/ns
	$C_{LOAD} = 30\text{pF}$ , SLIMDAT_DRV_STR=0				0.35 x $V_{DBVDD1}$	
	$C_{LOAD} = 30\text{pF}$ , SLIMDAT_DRV_STR=1				0.46 x $V_{DBVDD1}$	
	$C_{LOAD} = 70\text{pF}$ , SLIMDAT_DRV_STR=0				0.16 x $V_{DBVDD1}$	
	$C_{LOAD} = 70\text{pF}$ , SLIMCLK_DRV_STR=1				0.21 x $V_{DBVDD1}$	
<b>Other Parameters</b>						
Driver disable time		$T_{DD}$			6	ns
Bus holder output impedance	$0.1 \times V_{DBVDD1} < V <$ $0.9 \times V_{DBVDD1}$	$R_{DATAS}$	18		50	k $\Omega$

**JTAG INTERFACE TIMING**

**Figure 12 JTAG Interface Timing**
**Test Conditions**

The following timing information is valid across the full range of recommended operating conditions, unless otherwise noted.  
 $C_{LOAD} = 25pF$  (output pins). TCK slew (20% to 80%) = 5ns.

PARAMETER	SYMBOL	MIN	TYP	MAX	UNIT
<b>JTAG Interface Timing</b>					
TCK cycle time	$T_{CCY}$	50			ns
TCK pulse width high	$T_{CCH}$	20			ns
TCK pulse width low	$T_{CCL}$	20			ns
TMS setup time to TCK rising edge	$T_{MSU}$	1			ns
TMS hold time from TCK rising edge	$T_{MH}$	2			ns
TDI setup time to TCK rising edge	$T_{DSU}$	1			ns
TDI hold time from TCK rising edge	$T_{DH}$	2			ns
TDO propagation delay from TCK falling edge	$T_{DD}$	0		17	ns
TRST setup time to TCK rising edge	$T_{RSU}$	3			ns
TRST hold time from TCK rising edge	$T_{RH}$	3			ns
TRST pulse width low		20			ns

---

## DEVICE DESCRIPTION

### INTRODUCTION

The WM8281 is a highly integrated low-power audio hub CODEC for mobile telephony and portable devices. It provides flexible, high-performance audio interfacing for handheld devices in a small and cost-effective package. It provides exceptional levels of performance and signal processing capability, suitable for a wide variety of mobile and handheld devices.

The WM8281 digital core incorporates the Cirrus Logic Ambient Noise Cancellation (ANC), and provides an extensive capability for programmable signal processing algorithms, including receive (RX) path noise cancellation, transmit (TX) path noise reduction, and Acoustic Echo Cancellation (AEC) algorithms.

The WM8281 digital core supports audio enhancements such as Dynamic Range Control (DRC), Multi-band Compression (MBC), and Virtual Surround Sound (VSS). Highly flexible digital mixing, including stereo full-duplex asynchronous sample rate conversion, provides use-case flexibility across a broad range of system architectures. A signal generator for controlling haptics vibrate actuators is included.

The WM8281 provides multiple digital audio interfaces, including SLIMbus, in order to provide independent and fully asynchronous connections to different processors (eg. application processor, baseband processor and wireless transceiver).

A flexible clocking arrangement supports a wide variety of external clock references, including clocking derived from the digital audio interface. Two integrated Frequency Locked Loop (FLL) circuits provide additional flexibility.

Unused circuitry can be disabled under software control, in order to save power; low leakage currents enable extended standby/off time in portable battery-powered applications. Configurable 'Wake-Up' actions can be associated with the low-power standby (Sleep) mode.

Versatile GPIO functionality is provided, and support for external accessory / push-button detection inputs. Comprehensive Interrupt (IRQ) logic and status readback are also provided.

### HI-FI AUDIO CODEC

The WM8281 is a high-performance low-power audio CODEC which uses a simple analogue architecture. 6 ADCs and 8 DACs are incorporated, providing a dedicated ADC for each analogue input and a dedicated DAC for each output channel.

The analogue outputs comprise three 30mW (114dB SNR) stereo headphone amplifiers with ground-referenced output, and a Class D stereo speaker driver capable of delivering 2W per channel into a 4Ω load. Six analogue inputs are provided, each supporting single-ended or differential input modes. In differential mode, the input path SNR is 106dB (16kHz sample rate, ie. wideband voice mode). The ADC input paths can be bypassed, supporting up to 8 channels of digital microphone input.

The audio CODEC is controlled directly via register access. The simple analogue architecture, combined with the integrated tone generator, enables simple device configuration and testing, minimising debug time and reducing software effort.

The WM8281 output drivers are designed to support as many different system architectures as possible. Each output has a dedicated DAC which allows mixing, equalisation, filtering, gain and other audio processing to be configured independently for each channel. This allows each signal path to be individually tailored for the load characteristics. All outputs have integrated pop and click suppression features.

The headphone output drivers are ground-referenced, powered from an integrated charge pump, enabling high quality, power efficient headphone playback without any requirement for DC blocking capacitors. Ground loop feedback is incorporated, providing rejection of noise on the ground connections. A mono mode is available on the headphone outputs; this configures the drivers as differential (BTL) outputs, suitable for an earpiece or hearing aid coil.

The Class D speaker drivers deliver excellent power efficiency. High PSRR, low leakage and optimised supply voltage ranges enable powering from switching regulators or directly from the battery. Battery current consumption is minimised across a wide variety of voice communication and multimedia playback use cases.

The WM8281 is cost-optimised for a wide range of mobile phone applications, and features two channels of Class D power amplification. For applications requiring more than two channels of power amplification, the PDM output channels can be used to drive up to four external PDM-input speaker drivers. In applications where stereo loudspeakers are physically widely separated, the PDM outputs can ease layout and EMC by avoiding the need to run the Class-D speaker outputs over long distances and interconnects.

### **DIGITAL AUDIO CORE**

The WM8281 uses a core architecture based on all-digital signal routing, making digital audio effects available on all signal paths, regardless of whether the source data input is analogue or digital. The digital mixing desk allows different audio effects to be applied simultaneously on many independent paths, whilst also supporting a variety of sample rates concurrently. This helps support many new audio use-cases. Soft mute and un-mute control allows smooth transitions between use-cases without interrupting existing audio streams elsewhere.

The Cirrus Logic Ambient Noise Cancellation (ANC) processor within the WM8281 provides the capability to improve the intelligibility of a voice call by using destructive interference to reduce the acoustic energy of the ambient sound. The mono ANC capability supports a wide variety of handset applications.

The Cirrus Logic ANC technology supports receive (RX) path noise cancellation. Transmit (TX) path noise reduction, and multi-mic Acoustic Echo Cancellation (AEC) algorithms are also supported. The WM8281 is ideal for mobile telephony, providing enhanced voice communication quality for near-end and far-end handset users.

The WM8281 digital core provides an extensive capability for programmable signal processing algorithms. The DSP can support functions such as wind noise, side-tone and other programmable filters. A wide range of application-specific filters and audio enhancements can also be implemented, including Dynamic Range Control (DRC), Multi-band Compression (MBC), and Virtual Surround Sound (VSS). These digital effects can be used to improve audibility and stereo imaging while minimising supply current.

Highly flexible digital mixing, including mixing between audio interfaces, is possible. The WM8281 performs multi-channel full-duplex asynchronous sample rate conversion, providing use-case flexibility across a broad range of system architectures. Automatic sample rate detection is provided, enabling seamless wideband/narrowband voice call handover.

Dynamic Range Controller (DRC) functions are available for optimising audio signal levels. In playback modes, the DRC can be used to maximise loudness, while limiting the signal level to avoid distortion, clipping or battery droop, in particular for high-power output drivers such as speaker amplifiers. In record modes, the DRC assists in applications where the signal level is unpredictable.

The 5-band parametric equaliser (EQ) functions can be used to compensate for the frequency characteristics of the output transducers. EQ functions can be cascaded to provide additional frequency control. Programmable high-pass and low-pass filters are also available for general filtering applications such as removal of wind and other low-frequency noise.

### **DIGITAL INTERFACES**

Three serial digital audio interfaces (AIFs) each support PCM, TDM and I2S data formats for compatibility with most industry-standard chipsets. AIF1 supports eight input/output channels; AIF2 supports six input/output channels; AIF3 supports two input/output channels. Bidirectional operation at sample rates up to 192kHz is supported.

Eight digital PDM input channels are available (four stereo interfaces); these are typically used for digital microphones, powered from the integrated MICBIAS power supply regulators. Four PDM output channels are also available (two stereo interfaces); these are typically used for external power amplifiers. Embedded mute codes provide a control mechanism for external PDM-input devices.

The WM8281 features a MIPI-compliant SLIMbus interface, providing eight channels of audio input/output. Mixed audio sample rates are supported on the SLIMbus interface. The SLIMbus interface also supports read/write access to the WM8281 control registers.

The WM8281 is equipped with an I2C/SPI control interface and an I2C-only control interface. The I2C slave port operates up to 3.4MHz; the SPI ports operate up to 26MHz. Full access to the register map is also provided via the SLIMbus port.

---

## OTHER FEATURES

The WM8281 incorporates two 1kHz tone generators which can be used for 'beep' functions through any of the audio signal paths. The phase relationship between the two generators is configurable, providing flexibility in creating differential signals, or for test scenarios.

A white noise generator is provided, which can be routed within the digital core. The noise generator can provide 'comfort noise' in cases where silence (digital mute) is not desirable.

Two Pulse Width Modulation (PWM) signal generators are incorporated. The duty cycle of each PWM signal can be modulated by an audio source, or can be set to a fixed value using a control register setting. The PWM signal generators can be output directly on a GPIO pin.

The WM8281 provides 5 GPIO pins, supporting selectable input/output functions for interfacing, detection of external hardware, and to provide logic outputs to other devices. Comprehensive Interrupt (IRQ) functionality is also provided for monitoring internal and external event conditions.

A signal generator for controlling haptics devices is included, compatible with both Eccentric Rotating Mass (ERM) and Linear Resonant Actuator (LRA) haptic devices. The haptics signal generator is highly configurable, and can execute programmable drive event profiles, including reverse drive control. An external vibrate actuator can be driven directly by the Class D speaker output.

The WM8281 can be powered from a 1.8V external supply. A separate supply (4.2V) is typically required for the Class D speaker driver. Integrated Charge Pump and LDO Regulators circuits are used to generate supply rails for internal functions and to support powering or biasing of external microphones.

A smart accessory interface is included, supporting most standard 3.5mm accessories. Jack detection, accessory sensing and impedance measurement is provided, for external accessory and push-button detection. Accessory detection can be used as a 'Wake-Up' trigger from low-power standby. Microphone activity detection with interrupt is also available.

System clocking can be derived from the MCLK1 or MCLK2 input pins. Alternatively, the SLIMbus interface, or the audio interfaces (configured in Slave mode), can be used to provide a clock reference. Two integrated Frequency Locked Loop (FLL) circuits provide support for a wide range of clocking configurations, including the use of a 32kHz input clock reference.

## INPUT SIGNAL PATH

The WM8281 has eight highly flexible input channels. Selectable combinations of up to six analogue (mic or line) or eight digital input configurations are supported.

The analogue input paths support single-ended and differential modes, programmable gain control and are digitised using a high performance 24-bit sigma-delta ADC.

The digital input paths interface directly with external digital microphones; a separate microphone interface clock is provided for 4 separate stereo pairs of digital microphones. Digital delay can be applied to any of the digital input paths; this can be used for phase adjustment of any digital input, including directional control of multiple microphones.

Three microphone bias (MICBIAS) generators are available, which provide a low noise reference for biasing electret condenser microphones (ECMs) or for use as a low noise supply for MEMS microphones and digital microphones.

Digital volume control is available on all inputs (analogue and digital), with programmable ramp control for smooth, glitch-free operation. Any of the analogue or digital inputs may be selected as input to the Ambient Noise Cancellation (ANC) processing function.

The IN1L and IN1R input signal paths and control registers are illustrated in Figure 13. The IN2 and IN3 signal paths are equivalent to the IN1 signal path. The IN4 signal path supports digital microphone input only.

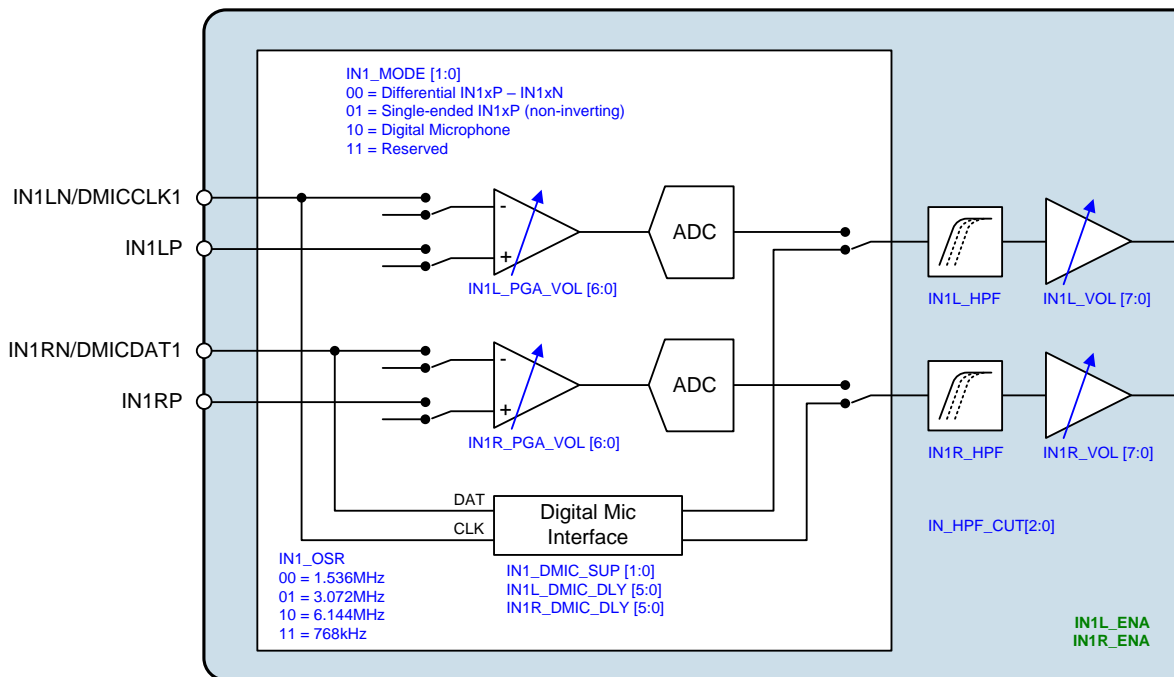


Figure 13 Input Signal Paths

## ANALOGUE MICROPHONE INPUT

Up to six analogue microphones can be connected to the WM8281, either in single-ended or differential mode. The applicable mode is selected using the  $INn\_MODE$  registers, as described later. Note that the mode is configurable for each stereo pair of inputs; the Left and Right channels of any pair of inputs are always in the same mode.

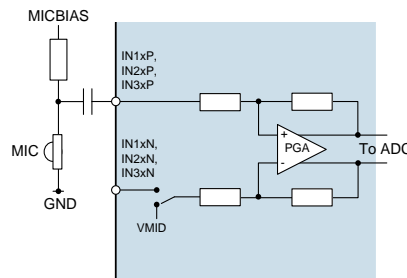
The WM8281 includes external accessory detection circuits, which can detect the presence of a microphone, and the status of a hookswitch or other push-buttons. When using this function, it is recommended to use one of the Right channel analogue microphone input paths, to ensure best immunity to electrical transients arising from the push-buttons.

For single-ended input, the microphone signal is connected to the non-inverting input of the PGAs ( $INnLP$  or  $INnRP$ ). The inverting inputs of the PGAs are connected to an internal reference in this configuration.

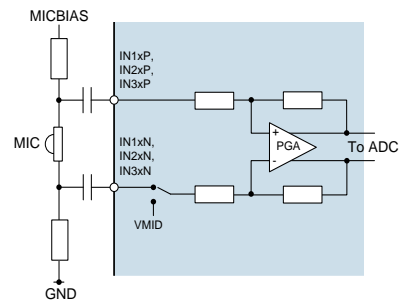
For differential input, the non-inverted microphone signal is connected to the non-inverting input of the PGAs ( $INnLP$  or  $INnRP$ ), whilst the inverted (or 'noisy ground') signal is connected to the inverting input pins ( $INnLN$  or  $INnRN$ ).

The gain of the input PGAs is controlled via register settings, as defined in Table 4. Note that the input impedance of the analogue input paths is fixed across all PGA gain settings.

The Electret Condenser Microphone (ECM) analogue input configurations are illustrated in Figure 14 and Figure 15. The integrated MICBIAS generators provide a low noise reference for biasing the ECMs.

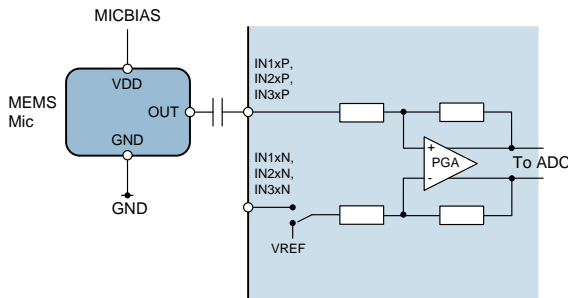


**Figure 14 Single-Ended ECM Input**

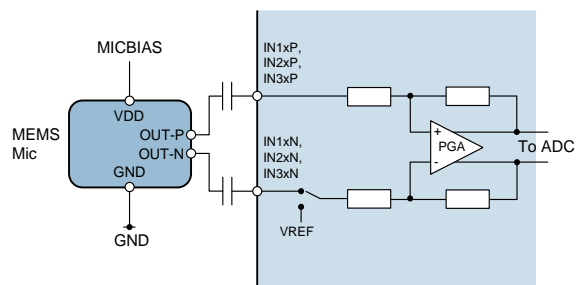


**Figure 15 Differential ECM Input**

Analogue MEMS microphones can be connected to the WM8281 in a similar manner to the ECM configurations described above; typical configurations are illustrated in Figure 16 and Figure 17. In this configuration, the integrated MICBIAS generators provide a low-noise power supply for the microphones.



**Figure 16 Single-Ended MEMS Input**



**Figure 17 Differential MEMS Input**

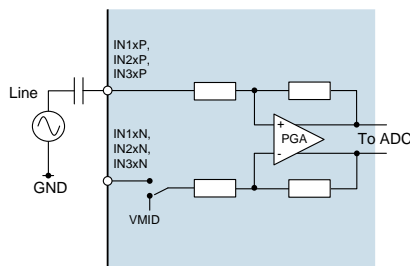
Note that the MICVDD pin can also be used (instead of MICBIASn) as a reference or power supply for external microphones. The MICBIAS outputs are recommended, as these offer better noise performance and independent enable/disable control.

## ANALOGUE LINE INPUT

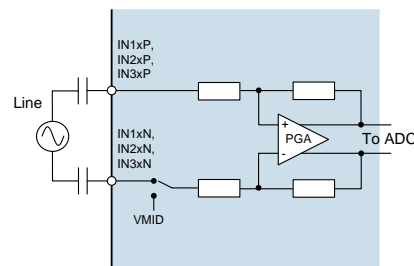
Line inputs can be connected to the WM8281 in a similar manner to the microphone inputs described above. Single-ended and differential modes are supported on each of the six analogue input paths.

The applicable mode (single-ended or differential) is selected using the  $INn\_MODE$  registers, as described later. Note that the mode is configurable for each stereo pair of inputs; the Left and Right channels of any pair of inputs are always in the same mode.

The analogue line input configurations are illustrated in Figure 18 and Figure 19. Note that the microphone bias (MICBIAS) is not used for line input connections.



**Figure 18 Single-Ended Line Input**



**Figure 19 Differential Line Input**

## DIGITAL MICROPHONE INPUT

Up to eight digital microphones can be connected to the WM8281. The digital microphone mode is selected using the  $INn\_MODE$  registers, as described later. Note that the mode is configurable for each stereo pair of inputs; the Left and Right channels of any pair of inputs are always in the same mode.

In digital microphone mode, two channels of audio data are multiplexed on the DMICDAT1, DMICDAT2, DMICDAT3 or DMICDAT4 pins. Each of these stereo interfaces is clocked using the respective DMICCLK1, DMICCLK2, DMICCLK3 or DMICCLK4 pin.

When digital microphone input is enabled, the WM8281 outputs a clock signal on the applicable DMICCLK $n$  pin(s). The DMICCLK $n$  frequency is controlled by the respective  $INn\_OSR$  register, as described in Table 1. See Table 3 for details of the  $INn\_OSR$  registers.

Note that, if the 768kHz DMICCLK $n$  frequency is selected for one or more of the digital microphone input paths, then the Input Path sample rate (all input paths) is valid in the range 8kHz to 16kHz only.

Note that the DMICCLK $n$  frequencies noted in Table 1 assume that the SYSCLK frequency is a multiple of 6.144MHz (SYSCLK\_FRAC=0). If the SYSCLK frequency is a multiple of 5.6448MHz (SYSCLK\_FRAC=1), then the DMICCLK $n$  frequencies will be scaled accordingly.

CONDITION	DMICCLK $n$ FREQUENCY	SIGNAL PASSBAND
$INn\_OSR = 00$	1.536MHz	up to 20kHz
$INn\_OSR = 01$	3.072MHz	up to 20kHz
$INn\_OSR = 10$	6.144MHz	up to 96kHz
$INn\_OSR = 11$	768kHz	up to 8kHz

**Table 1 DMICCLK Frequency**

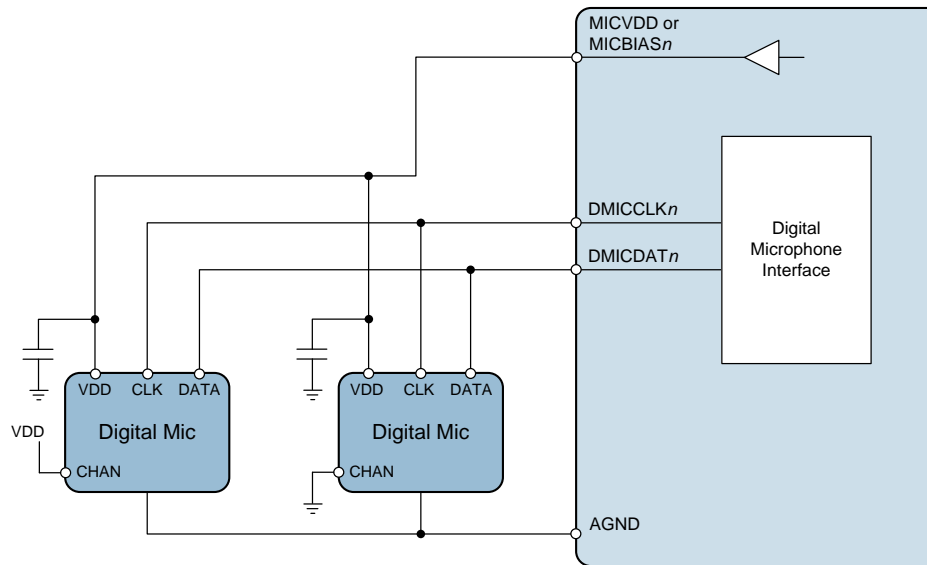
The voltage reference for each digital microphone interface is selectable, using the  $INn\_DMIC\_SUP$  registers. Each interface may be referenced to MICVDD, or to the MICBIAS1, MICBIAS2 or MICBIAS3 levels.

A pair of digital microphones is connected as illustrated in Figure 20. The microphones must be configured to ensure that the Left mic transmits a data bit when DMICCLK is high, and the Right mic transmits a data bit when DMICCLK is low. The WM8281 samples the digital microphone data at the end of each DMICCLK phase. Each microphone must tri-state its data output when the other microphone is transmitting.

Note that the WM8281 provides integrated pull-down resistors on the DMICDAT1, DMICDAT2,

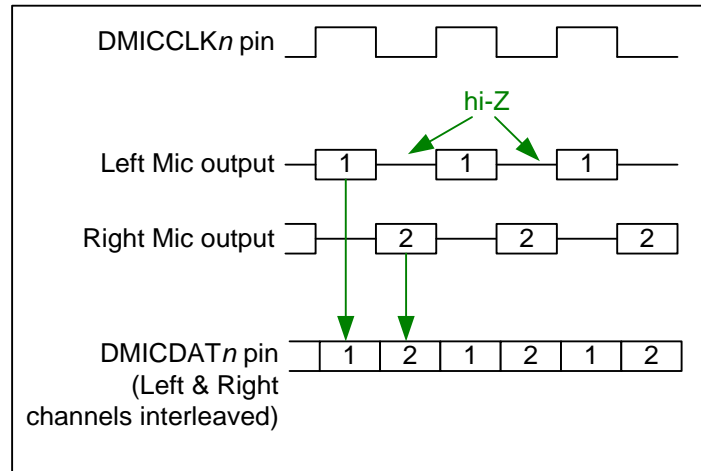


DMICDAT3 and DMICDAT4 pins. This provides a flexible capability for interfacing with other devices.



**Figure 20 Digital Microphone Input**

Two digital microphone channels are interleaved on DMICDAT $n$ . The digital microphone interface timing is illustrated in Figure 21. Each microphone must tri-state its data output when the other microphone is transmitting.



**Figure 21 Digital Microphone Interface Timing**

When digital microphone input is enabled, the WM8281 outputs a clock signal on the applicable DMICCLK pin(s). The DMICCLK frequency is selectable, as described in Table 1.

Note that SYSCLK must be present and enabled when using the Digital Microphone inputs; see “Clocking and Sample Rates” for details of SYSCLK and the associated register control fields.

**INPUT SIGNAL PATH ENABLE**

The input signal paths are enabled using the register bits described in Table 2. The respective bit(s) must be enabled for analogue or digital input on the respective input path(s).

The input signal paths are muted by default. It is recommended that de-selecting the mute should be the final step of the path enable control sequence. Similarly, the mute should be selected as the first step of the path disable control sequence. The input signal path mute functions are controlled using the register bits described in Table 4.

The MICVDD power domain must be enabled when using the analogue input signal path(s). This power domain is provided using an internal Charge Pump (CP2) and LDO Regulator (LDO2). See “Charge Pumps, Regulators and Voltage Reference” for details of these circuits.

The system clock, SYSCLK, must be configured and enabled before any audio path is enabled. The ASYNCCLK and 32kHz clock may also be required, depending on the path configuration. See “Clocking and Sample Rates” for details of the system clocks.

The WM8281 performs automatic checks to confirm that the SYSCLK frequency is high enough to support the input signal paths and associated ADCs. If an attempt is made to enable an input signal path, and there are insufficient SYSCLK cycles to support it, then the attempt will be unsuccessful. (Note that any signal paths that are already active will not be affected under these circumstances.)

The Underclocked Error condition can be monitored using the GPIO and/or Interrupt functions. See “General Purpose Input / Output” and “Interrupts” for further details.

The status bits in Register R769 indicate the status of each of the input signal paths. If an Underclocked Error condition occurs, then these bits provide readback of which input signal path(s) have been successfully enabled.

REGISTER ADDRESS	BIT	LABEL	DEFAULT	DESCRIPTION
R768 (0300h) Input Enables	7	IN4L_ENA	0	Input Path 4 (Left) Enable 0 = Disabled 1 = Enabled
	6	IN4R_ENA	0	Input Path 4 (Right) Enable 0 = Disabled 1 = Enabled
	5	IN3L_ENA	0	Input Path 3 (Left) Enable 0 = Disabled 1 = Enabled
	4	IN3R_ENA	0	Input Path 3 (Right) Enable 0 = Disabled 1 = Enabled
	3	IN2L_ENA	0	Input Path 2 (Left) Enable 0 = Disabled 1 = Enabled
	2	IN2R_ENA	0	Input Path 2 (Right) Enable 0 = Disabled 1 = Enabled
	1	IN1L_ENA	0	Input Path 1 (Left) Enable 0 = Disabled 1 = Enabled
	0	IN1R_ENA	0	Input Path 1 (Right) Enable 0 = Disabled 1 = Enabled
R769 (0301h) Input Enables Status	7	IN4L_ENA_STS	0	Input Path 4 (Left) Enable Status 0 = Disabled 1 = Enabled
	6	IN4R_ENA_STS	0	Input Path 4 (Right) Enable Status 0 = Disabled 1 = Enabled
	5	IN3L_ENA_STS	0	Input Path 3 (Left) Enable Status 0 = Disabled 1 = Enabled

REGISTER ADDRESS	BIT	LABEL	DEFAULT	DESCRIPTION
	4	IN3R_ENA_STS	0	Input Path 3 (Right) Enable Status 0 = Disabled 1 = Enabled
	3	IN2L_ENA_STS	0	Input Path 2 (Left) Enable Status 0 = Disabled 1 = Enabled
	2	IN2R_ENA_STS	0	Input Path 2 (Right) Enable Status 0 = Disabled 1 = Enabled
	1	IN1L_ENA_STS	0	Input Path 1 (Left) Enable Status 0 = Disabled 1 = Enabled
	0	IN1R_ENA_STS	0	Input Path 1 (Right) Enable Status 0 = Disabled 1 = Enabled

**Table 2 Input Signal Path Enable**

### INPUT SIGNAL PATH SAMPLE RATE CONTROL

The input signal paths may be selected as input to the digital mixers or signal processing functions within the WM8281 digital core. The sample rate for the input signal paths is configured using the IN\_RATE register - see Table 23 within the “Digital Core” section.

Note that sample rate conversion is required when routing the input signal paths to any signal chain that is asynchronous and/or configured for a different sample rate.

### INPUT SIGNAL PATH CONFIGURATION

The WM8281 supports eight input signal paths. Each pair of inputs (IN1, IN2 and IN3) can be configured as single-ended, differential, or digital microphone configuration. Note that the mode is configurable for each stereo pair of inputs; the Left and Right channels of any pair of inputs are always in the same mode. The IN4 signal path supports digital microphone input only.

The input signal path configuration is selected using the IN<sub>n</sub>\_MODE registers (where ‘n’ identifies the associated input). The external circuit configurations are illustrated on the previous pages.

A configurable high pass filter (HPF) is provided on the left and right channels of each input path. The applicable cut-off frequency is selected using the IN\_HPFCUT register. The filter can be enabled on each path independently using the IN<sub>n</sub>X\_HPFBITS bits.

The analogue input signal paths (single-ended or differential) each incorporate a PGA to provide gain in the range 0dB to +31dB in 1dB steps. Note that these PGAs do not provide pop suppression functions; it is recommended that the gain should not be adjusted whilst the respective signal path is enabled.

The analogue input PGA gain is controlled using the IN<sub>n</sub>L\_PGA\_VOL and IN<sub>n</sub>R\_PGA\_VOL registers. Note that separate volume control is provided for the Left and Right channels of each stereo pair.

When the input signal path is configured for digital microphone input, the voltage reference for the associated input/output pins is selectable using the IN<sub>n</sub>\_DMIC\_SUP registers - each interface may be referenced to MICVDD, or to the MICBIAS1, MICBIAS2 or MICBIAS3 levels.

When the input signal path is configured for digital microphone input, the respective DMICCLK<sub>n</sub> frequency can be configured using the IN<sub>n</sub>\_OSR register bits. Note that, if a digital microphone path is selected as a source for the Rx ANC function (see Table 6), the respective IN<sub>n</sub>\_OSR field must be set to 01; the DMICCLK<sub>n</sub> frequency is 3.072MHz in this case.

A digital delay may be applied to any of the digital microphone input channels. This feature can be used for phase adjustment of any digital input, including directional control of multiple microphones. The delay is controlled using the IN<sub>n</sub>L\_DMIC\_DLY and IN<sub>n</sub>R\_DMIC\_DLY registers.

The MICVDD voltage is generated by an internal Charge Pump and LDO Regulator. The MICBIAS1, MICBIAS2 and MICBIAS3 outputs are derived from MICVDD - see “Charge Pumps, Regulators and Voltage Reference”.

The input signal paths are configured using the register bits described in Table 3.

REGISTER ADDRESS	BIT	LABEL	DEFAULT	DESCRIPTION
R780 (030Ch) HPF Control	2:0	IN_HPFCUT [2:0]	010	Input Path HPF Select Controls the cut-off frequency of the input path HPF circuits. 000 = 2.5Hz 001 = 5Hz 010 = 10Hz 011 = 20Hz 100 = 40Hz All other codes are Reserved
R784 (0310h) IN1L Control	15	IN1L_HPFC	0	Input Path 1 (Left) HPF Enable 0 = Disabled 1 = Enabled
	14:13	IN1_OSRR [1:0]	01	Input Path 1 DMIC Oversample Rate When digital microphone input is selected (IN1_MODE=10), this field controls the sample rate as below: 00 = 1.536MHz 01 = 3.072MHz 10 = 6.144MHz 11 = 768kHz When IN1_OSRR=11, the Input Path sample rate (for all input paths) must be in the range 8kHz to 16kHz. If Input Path 1 DMIC is selected as a source for the Rx ANC function, the IN1_OSRR field must be set to 01.
	12:11	IN1_DMIC_SUP [1:0]	00	Input Path 1 DMIC Reference Select (Sets the DMICDAT1 and DMICCLK1 logic levels) 00 = MICVDD 01 = MICBIAS1 10 = MICBIAS2 11 = MICBIAS3
	10:9	IN1_MODE [1:0]	00	Input Path 1 Mode 00 = Differential (IN1xP - IN1xN) 01 = Single-ended (IN1xP) 10 = Digital Microphone 11 = Reserved
	7:1	IN1L_PGAVOL [6:0]	40h	Input Path 1 (Left) PGA Volume (Applicable to analogue inputs only) 00h to 3Fh = Reserved 40h = 0dB 41h = 1dB 42h = 2dB ... (1dB steps) 5F = 31dB 60h to 7Fh = Reserved
R786 (0312h) DMIC1L Control	5:0	IN1L_DMIC_DLY [5:0]	00h	Input Path 1 (Left) Digital Delay (Applicable to digital input only) LSB = 1 sample, Range is 0 to 63. (Sample rate is controlled by IN1_OSRR.)
R788 (0314h) IN1R	15	IN1R_HPFC	0	Input Path 1 (Right) HPF Enable 0 = Disabled 1 = Enabled

REGISTER ADDRESS	BIT	LABEL	DEFAULT	DESCRIPTION
Control	7:1	IN1R_PGA_VOL [6:0]	40h	Input Path 1 (Right) PGA Volume (Applicable to analogue inputs only) 00h to 3Fh = Reserved 40h = 0dB 41h = 1dB 42h = 2dB ... (1dB steps) 5F = 31dB 60h to 7Fh = Reserved
R790 (0316h) DMIC1R Control	5:0	IN1R_DMIC_DLY [5:0]	00h	Input Path 1 (Right) Digital Delay (Applicable to digital input only) LSB = 1 sample, Range is 0 to 63. (Sample rate is controlled by IN1_OSR.)
R792 (0318h) IN2L Control	15	IN2L_HPF	0	Input Path 2 (Left) HPF Enable 0 = Disabled 1 = Enabled
	14:13	IN2_OSR [1:0]	01	Input Path 2 DMIC Oversample Rate When digital microphone input is selected (IN2_MODE=10), this field controls the sample rate as below: 00 = 1.536MHz 01 = 3.072MHz 10 = 6.144MHz 11 = 768kHz When IN2_OSR=11, the Input Path sample rate (for all input paths) must be in the range 8kHz to 16kHz. If Input Path 2 DMIC is selected as a source for the Rx ANC function, the IN2_OSR field must be set to 01.
	12:11	IN2_DMIC_SUP [1:0]	00	Input Path 2 DMIC Reference Select (Sets the DMICDAT2 and DMICCLK2 logic levels) 00 = MICVDD 01 = MICBIAS1 10 = MICBIAS2 11 = MICBIAS3
	10:9	IN2_MODE [1:0]	00	Input Path 2 Mode 00 = Differential (IN2xP - IN2xN) 01 = Single-ended (IN2xP) 10 = Digital Microphone 11 = Reserved
	7:1	IN2L_PGA_VOL [6:0]	40h	Input Path 2 (Left) PGA Volume (Applicable to analogue inputs only) 00h to 3Fh = Reserved 40h = 0dB 41h = 1dB 42h = 2dB ... (1dB steps) 5F = 31dB 60h to 7Fh = Reserved
R794 (031Ah) DMIC2L Control	5:0	IN2L_DMIC_DLY [5:0]	00h	Input Path 2 (Left) Digital Delay (Applicable to digital input only) LSB = 1 sample, Range is 0 to 63. (Sample rate is controlled by IN2_OSR.)

REGISTER ADDRESS	BIT	LABEL	DEFAULT	DESCRIPTION
R796 (031Ch) IN2R Control	15	IN2R_HPF	0	Input Path 2 (Right) HPF Enable 0 = Disabled 1 = Enabled
	7:1	IN2R_PGA_VOL [6:0]	40h	Input Path 2 (Right) PGA Volume (Applicable to analogue inputs only) 00h to 3Fh = Reserved 40h = 0dB 41h = 1dB 42h = 2dB ... (1dB steps) 5F = 31dB 60h to 7Fh = Reserved
R798 (031Eh) DMIC2R Control	5:0	IN2R_DMIC_DLY [5:0]	00h	Input Path 2 (Right) Digital Delay (Applicable to digital input only) LSB = 1 sample, Range is 0 to 63. (Sample rate is controlled by IN2_OSR.)
R800 (0320h) IN3L Control	15	IN3L_HPF	0	Input Path 3 (Left) HPF Enable 0 = Disabled 1 = Enabled
	14:13	IN3_OSR [1:0]	01	Input Path 3 DMIC Oversample Rate When digital microphone input is selected (IN3_MODE=10), this field controls the sample rate as below: 00 = 1.536MHz 01 = 3.072MHz 10 = 6.144MHz 11 = 768kHz When IN3_OSR=11, the Input Path sample rate (for all input paths) must be in the range 8kHz to 16kHz. If Input Path 3 DMIC is selected as a source for the Rx ANC function, the IN3_OSR field must be set to 01.
	12:11	IN3_DMIC_SUP [1:0]	00	Input Path 3 DMIC Reference Select (Sets the DMICDAT3 and DMICCLK3 logic levels) 00 = MICVDD 01 = MICBIAS1 10 = MICBIAS2 11 = MICBIAS3
	10:9	IN3_MODE [1:0]	00	Input Path 3 Mode 00 = Differential (IN3xP - IN3xN) 01 = Single-ended (IN3xP) 10 = Digital Microphone 11 = Reserved
	7:1	IN3L_PGA_VOL [6:0]	40h	Input Path 3 (Left) PGA Volume (Applicable to analogue inputs only) 00h to 3Fh = Reserved 40h = 0dB 41h = 1dB 42h = 2dB ... (1dB steps) 5F = 31dB 60h to 7Fh = Reserved
R802 (0322h) DMIC3L Control	5:0	IN3L_DMIC_DLY [5:0]	00h	Input Path 3 (Left) Digital Delay (Applicable to digital input only) LSB = 1 sample, Range is 0 to 63. (Sample rate is controlled by IN3_OSR.)

REGISTER ADDRESS	BIT	LABEL	DEFAULT	DESCRIPTION
R804 (0324h) IN3R Control	15	IN3R_HPF	0	Input Path 3 (Right) HPF Enable 0 = Disabled 1 = Enabled
	7:1	IN3R_PGA_VOL [6:0]	40h	Input Path 3 (Right) PGA Volume (Applicable to analogue inputs only) 00h to 3Fh = Reserved 40h = 0dB 41h = 1dB 42h = 2dB ... (1dB steps) 5F = 31dB 60h to 7Fh = Reserved
R806 (0326h) DMIC3R Control	5:0	IN3R_DMIC_DLY [5:0]	00h	Input Path 3 (Right) Digital Delay (Applicable to digital input only) LSB = 1 sample, Range is 0 to 63. (Sample rate is controlled by IN3_OSR.)
R808 (0328h) IN4L Control	15	IN4L_HPF	0	Input Path 4 (Left) HPF Enable 0 = Disabled 1 = Enabled
	14:13	IN4_OSR [1:0]	01	Input Path 4 DMIC Oversample Rate Controls the DMIC4 sample rate as below: 00 = 1.536MHz 01 = 3.072MHz 10 = 6.144MHz 11 = 768kHz  When IN4_OSR=11, the Input Path sample rate (for all input paths) must be in the range 8kHz to 16kHz. If Input Path 4 DMIC is selected as a source for the Rx ANC function, the IN4_OSR field must be set to 01.
	12:11	IN4_DMIC_SUP [1:0]	00	Input Path 4 DMIC Reference Select (Sets the DMICDAT4 and DMICCLK4 logic levels) 00 = MICVDD 01 = MICBIAS1 10 = MICBIAS2 11 = MICBIAS3
R810 (032Ah) DMIC4L Control	5:0	IN4L_DMIC_DLY [5:0]	00h	Input Path 4 (Left) Digital Delay (Applicable to digital input only) LSB = 1 sample, Range is 0 to 63. (Sample rate is controlled by IN4_OSR.)
R812 (032Ch) IN4R Control	15	IN4R_HPF	0	Input Path 4 (Right) HPF Enable 0 = Disabled 1 = Enabled
R814 (032Eh) DMIC4R Control	5:0	IN4R_DMIC_DLY [5:0]	00h	Input Path 4 (Right) Digital Delay (Applicable to digital input only) LSB = 1 sample, Range is 0 to 63. (Sample rate is controlled by IN4_OSR.)

**Table 3 Input Signal Path Configuration**

**INPUT SIGNAL PATH DIGITAL VOLUME CONTROL**

A digital volume control is provided on each of the input signal paths, providing -64dB to +31.5dB gain control in 0.5dB steps. An independent mute control is also provided for each input signal path.

Whenever the gain or mute setting is changed, the signal path gain is ramped up or down to the new settings at a programmable rate. For increasing gain (or un-mute), the rate is controlled by the IN\_VI\_RAMP register. For decreasing gain (or mute), the rate is controlled by the IN\_VD\_RAMP register. Note that the IN\_VI\_RAMP and IN\_VD\_RAMP registers should not be changed while a volume ramp is in progress.

The IN\_VU bits control the loading of the input signal path digital volume and mute controls. When IN\_VU is set to 0, the digital volume and mute settings will be loaded into the respective control register, but will not actually change the signal path gain. The digital volume and mute settings on all of the input signal paths are updated when a 1 is written to IN\_VU. This makes it possible to update the gain of multiple signal paths simultaneously.

Note that, although the digital volume control registers provide 0.5dB steps, the internal circuits provide signal gain adjustment in 0.125dB steps. This allows a very high degree of gain control, and smooth volume ramping under all operating conditions.

The digital volume control register fields are described in Table 4 and Table 5.

REGISTER ADDRESS	BIT	LABEL	DEFAULT	DESCRIPTION
R777 (0309h) Input Volume Ramp	6:4	IN_VD_RAMP [2:0]	010	Input Volume Decreasing Ramp Rate (seconds/6dB) 000 = 0ms 001 = 0.5ms 010 = 1ms 011 = 2ms 100 = 4ms 101 = 8ms 110 = 15ms 111 = 30ms This register should not be changed while a volume ramp is in progress.
	2:0	IN_VI_RAMP [2:0]	010	Input Volume Increasing Ramp Rate (seconds/6dB) 000 = 0ms 001 = 0.5ms 010 = 1ms 011 = 2ms 100 = 4ms 101 = 8ms 110 = 15ms 111 = 30ms This register should not be changed while a volume ramp is in progress.
R785 (0311h) ADC Digital Volume 1L	9	IN_VU		Input Signal Paths Volume and Mute Update Writing a 1 to this bit will cause the Input Signal Paths Volume and Mute settings to be updated simultaneously
	8	IN1L_MUTE	1	Input Path 1 (Left) Digital Mute 0 = Un-mute 1 = Mute



REGISTER ADDRESS	BIT	LABEL	DEFAULT	DESCRIPTION
	7:0	IN1L_VOL [7:0]	80h	Input Path 1 (Left) Digital Volume -64dB to +31.5dB in 0.5dB steps 00h = -64dB 01h = -63.5dB ... (0.5dB steps) 80h = 0dB ... (0.5dB steps) BFh = +31.5dB C0h to FFh = Reserved (See Table 5 for volume range)
R789 (0315h) ADC Digital Volume 1R	9	IN_VU		Input Signal Paths Volume and Mute Update Writing a 1 to this bit will cause the Input Signal Paths Volume and Mute settings to be updated simultaneously
	8	IN1R_MUTE	1	Input Path 1 (Right) Digital Mute 0 = Un-mute 1 = Mute
	7:0	IN1R_VOL [7:0]	80h	Input Path 1 (Right) Digital Volume -64dB to +31.5dB in 0.5dB steps 00h = -64dB 01h = -63.5dB ... (0.5dB steps) 80h = 0dB ... (0.5dB steps) BFh = +31.5dB C0h to FFh = Reserved (See Table 5 for volume range)
R793 (0319h) ADC Digital Volume 2L	9	IN_VU		Input Signal Paths Volume and Mute Update Writing a 1 to this bit will cause the Input Signal Paths Volume and Mute settings to be updated simultaneously
	8	IN2L_MUTE	1	Input Path 2 (Left) Digital Mute 0 = Un-mute 1 = Mute
	7:0	IN2L_VOL [7:0]	80h	Input Path 2 (Left) Digital Volume -64dB to +31.5dB in 0.5dB steps 00h = -64dB 01h = -63.5dB ... (0.5dB steps) 80h = 0dB ... (0.5dB steps) BFh = +31.5dB C0h to FFh = Reserved (See Table 5 for volume range)
R797 (031Dh) ADC Digital Volume 2R	9	IN_VU		Input Signal Paths Volume and Mute Update Writing a 1 to this bit will cause the Input Signal Paths Volume and Mute settings to be updated simultaneously
	8	IN2R_MUTE	1	Input Path 2 (Right) Digital Mute 0 = Un-mute 1 = Mute

REGISTER ADDRESS	BIT	LABEL	DEFAULT	DESCRIPTION
	7:0	IN2R_VOL [7:0]	80h	Input Path 2 (Right) Digital Volume -64dB to +31.5dB in 0.5dB steps 00h = -64dB 01h = -63.5dB ... (0.5dB steps) 80h = 0dB ... (0.5dB steps) BFh = +31.5dB C0h to FFh = Reserved (See Table 5 for volume range)
R801 (0321h) ADC Digital Volume 3L	9	IN_VU		Input Signal Paths Volume and Mute Update Writing a 1 to this bit will cause the Input Signal Paths Volume and Mute settings to be updated simultaneously
	8	IN3L_MUTE	1	Input Path 3 (Left) Digital Mute 0 = Un-mute 1 = Mute
	7:0	IN3L_VOL [7:0]	80h	Input Path 3 (Left) Digital Volume -64dB to +31.5dB in 0.5dB steps 00h = -64dB 01h = -63.5dB ... (0.5dB steps) 80h = 0dB ... (0.5dB steps) BFh = +31.5dB C0h to FFh = Reserved (See Table 5 for volume range)
R805 (0325h) ADC Digital Volume 3R	9	IN_VU		Input Signal Paths Volume and Mute Update Writing a 1 to this bit will cause the Input Signal Paths Volume and Mute settings to be updated simultaneously
	8	IN3R_MUTE	1	Input Path 3 (Right) Digital Mute 0 = Un-mute 1 = Mute
	7:0	IN3R_VOL [7:0]	80h	Input Path 3 (Right) Digital Volume -64dB to +31.5dB in 0.5dB steps 00h = -64dB 01h = -63.5dB ... (0.5dB steps) 80h = 0dB ... (0.5dB steps) BFh = +31.5dB C0h to FFh = Reserved (See Table 5 for volume range)
R809 (0329h) ADC Digital Volume 4L	9	IN_VU		Input Signal Paths Volume and Mute Update Writing a 1 to this bit will cause the Input Signal Paths Volume and Mute settings to be updated simultaneously
	8	IN4L_MUTE	1	Input Path 4 (Left) Digital Mute 0 = Un-mute 1 = Mute

REGISTER ADDRESS	BIT	LABEL	DEFAULT	DESCRIPTION
	7:0	IN4L_VOL [7:0]	80h	Input Path 4 (Left) Digital Volume -64dB to +31.5dB in 0.5dB steps 00h = -64dB 01h = -63.5dB ... (0.5dB steps) 80h = 0dB ... (0.5dB steps) BFh = +31.5dB C0h to FFh = Reserved (See Table 5 for volume range)
R813 (032Dh) ADC Digital Volume 4R	9	IN_VU		Input Signal Paths Volume and Mute Update Writing a 1 to this bit will cause the Input Signal Paths Volume and Mute settings to be updated simultaneously
	8	IN4R_MUTE	1	Input Path 4 (Right) Digital Mute 0 = Un-mute 1 = Mute
	7:0	IN4R_VOL [7:0]	80h	Input Path 4 (Right) Digital Volume -64dB to +31.5dB in 0.5dB steps 00h = -64dB 01h = -63.5dB ... (0.5dB steps) 80h = 0dB ... (0.5dB steps) BFh = +31.5dB C0h to FFh = Reserved (See Table 5 for volume range)

**Table 4 Input Signal Path Digital Volume Control**

Input Volume Register	Volume (dB)	Input Volume Register	Volume (dB)	Input Volume Register	Volume (dB)	Input Volume Register	Volume (dB)
00h	-64.0	40h	-32.0	80h	0.0	C0h	Reserved
01h	-63.5	41h	-31.5	81h	0.5	C1h	Reserved
02h	-63.0	42h	-31.0	82h	1.0	C2h	Reserved
03h	-62.5	43h	-30.5	83h	1.5	C3h	Reserved
04h	-62.0	44h	-30.0	84h	2.0	C4h	Reserved
05h	-61.5	45h	-29.5	85h	2.5	C5h	Reserved
06h	-61.0	46h	-29.0	86h	3.0	C6h	Reserved
07h	-60.5	47h	-28.5	87h	3.5	C7h	Reserved
08h	-60.0	48h	-28.0	88h	4.0	C8h	Reserved
09h	-59.5	49h	-27.5	89h	4.5	C9h	Reserved
0Ah	-59.0	4Ah	-27.0	8Ah	5.0	CAh	Reserved
0Bh	-58.5	4Bh	-26.5	8Bh	5.5	CBh	Reserved
0Ch	-58.0	4Ch	-26.0	8Ch	6.0	CCh	Reserved
0Dh	-57.5	4Dh	-25.5	8Dh	6.5	CDh	Reserved
0Eh	-57.0	4Eh	-25.0	8Eh	7.0	CEh	Reserved
0Fh	-56.5	4Fh	-24.5	8Fh	7.5	CFh	Reserved
10h	-56.0	50h	-24.0	90h	8.0	D0h	Reserved
11h	-55.5	51h	-23.5	91h	8.5	D1h	Reserved
12h	-55.0	52h	-23.0	92h	9.0	D2h	Reserved
13h	-54.5	53h	-22.5	93h	9.5	D3h	Reserved
14h	-54.0	54h	-22.0	94h	10.0	D4h	Reserved
15h	-53.5	55h	-21.5	95h	10.5	D5h	Reserved
16h	-53.0	56h	-21.0	96h	11.0	D6h	Reserved
17h	-52.5	57h	-20.5	97h	11.5	D7h	Reserved
18h	-52.0	58h	-20.0	98h	12.0	D8h	Reserved
19h	-51.5	59h	-19.5	99h	12.5	D9h	Reserved
1Ah	-51.0	5Ah	-19.0	9Ah	13.0	DAh	Reserved
1Bh	-50.5	5Bh	-18.5	9Bh	13.5	DBh	Reserved
1Ch	-50.0	5Ch	-18.0	9Ch	14.0	DCh	Reserved
1Dh	-49.5	5Dh	-17.5	9Dh	14.5	DDh	Reserved
1Eh	-49.0	5Eh	-17.0	9Eh	15.0	DEh	Reserved
1Fh	-48.5	5Fh	-16.5	9Fh	15.5	DFh	Reserved
20h	-48.0	60h	-16.0	A0h	16.0	E0h	Reserved
21h	-47.5	61h	-15.5	A1h	16.5	E1h	Reserved
22h	-47.0	62h	-15.0	A2h	17.0	E2h	Reserved
23h	-46.5	63h	-14.5	A3h	17.5	E3h	Reserved
24h	-46.0	64h	-14.0	A4h	18.0	E4h	Reserved
25h	-45.5	65h	-13.5	A5h	18.5	E5h	Reserved
26h	-45.0	66h	-13.0	A6h	19.0	E6h	Reserved
27h	-44.5	67h	-12.5	A7h	19.5	E7h	Reserved
28h	-44.0	68h	-12.0	A8h	20.0	E8h	Reserved
29h	-43.5	69h	-11.5	A9h	20.5	E9h	Reserved
2Ah	-43.0	6Ah	-11.0	AAh	21.0	EAh	Reserved
2Bh	-42.5	6Bh	-10.5	ABh	21.5	EBh	Reserved
2Ch	-42.0	6Ch	-10.0	ACh	22.0	ECh	Reserved
2Dh	-41.5	6Dh	-9.5	ADh	22.5	EDh	Reserved
2Eh	-41.0	6Eh	-9.0	A Eh	23.0	EEh	Reserved
2Fh	-40.5	6Fh	-8.5	AFh	23.5	EFh	Reserved
30h	-40.0	70h	-8.0	B0h	24.0	F0h	Reserved
31h	-39.5	71h	-7.5	B1h	24.5	F1h	Reserved
32h	-39.0	72h	-7.0	B2h	25.0	F2h	Reserved
33h	-38.5	73h	-6.5	B3h	25.5	F3h	Reserved
34h	-38.0	74h	-6.0	B4h	26.0	F4h	Reserved
35h	-37.5	75h	-5.5	B5h	26.5	F5h	Reserved
36h	-37.0	76h	-5.0	B6h	27.0	F6h	Reserved
37h	-36.5	77h	-4.5	B7h	27.5	F7h	Reserved
38h	-36.0	78h	-4.0	B8h	28.0	F8h	Reserved
39h	-35.5	79h	-3.5	B9h	28.5	F9h	Reserved
3Ah	-35.0	7Ah	-3.0	BAh	29.0	FAh	Reserved
3Bh	-34.5	7Bh	-2.5	BBh	29.5	FBh	Reserved
3Ch	-34.0	7Ch	-2.0	BCh	30.0	FCh	Reserved
3Dh	-33.5	7Dh	-1.5	BDh	30.5	FDh	Reserved
3Eh	-33.0	7Eh	-1.0	BEh	31.0	FEh	Reserved
00.	-32.5	7Fh	-0.5	BFh	31.5	FFh	Reserved

**Table 5 Input Signal Path Digital Volume Range**

**INPUT SIGNAL PATH ANC CONTROL**

The WM8281 incorporates a mono Ambient Noise Cancellation (ANC) processor which can provide noise reduction in a variety of different operating conditions.

The input source for the Receive Path ANC function is selected using IN\_RXANCL\_SEL and FCL\_MIC\_MODE\_SEL, as described in Table 6.

See “Ambient Noise Cancellation” for further details of the ANC function.

REGISTER ADDRESS	BIT	LABEL	DEFAULT	DESCRIPTION
R3841 (0F01h) ANC_SRC	2:0	IN_RXANCL_SEL [2:0]	000	Input source for Rx ANC function 000 = No selection 001 = Input Path 1 010 = Input Path 2 011 = Input Path 3 100 = Input Path 4 101 to 111 = Reserved
R3863 (0F17h) FCL ADC reformatter control	3:2	FCL_MIC_MODE_SEL [1:0]	01	Input channel for Rx ANC function 00 = Disabled 01 = Left channel 10 = Right channel 11 = Left+Right channels (only valid if signal path is configured for digital input)

**Table 6 Input Signal Paths ANC Control**

**DIGITAL MICROPHONE INTERFACE PULL-DOWN**

The WM8281 provides integrated pull-down resistors on the DMICDAT1, DMICDAT2, DMICDAT3 and DMICDAT4 pins. This provides a flexible capability for interfacing with other devices.

Each of the pull-down resistors can be configured independently using the register bits described in Table 7. Note that, if the DMICDAT1, DMICDAT2, DMICDAT3 or DMICDAT4 digital microphone input paths are disabled, then the pull-down will be disabled on the respective pin.

REGISTER ADDRESS	BIT	LABEL	DEFAULT	DESCRIPTION
R3106 (0C22h) Misc Pad Ctrl 3	3	DMICDAT4_PD	0	DMICDAT4 Pull-Down Control 0 = Disabled 1 = Enabled
	2	DMICDAT3_PD	0	DMICDAT3 Pull-Down Control 0 = Disabled 1 = Enabled
	1	DMICDAT2_PD	0	DMICDAT2 Pull-Down Control 0 = Disabled 1 = Enabled
	0	DMICDAT1_PD	0	DMICDAT1 Pull-Down Control 0 = Disabled 1 = Enabled

**Table 7 Digital Microphone Interface Pull-Down Control**

---

## DIGITAL CORE

The WM8281 digital core provides extensive mixing and processing capabilities for multiple signal paths. The configuration is highly flexible, and virtually every conceivable input/output connection can be supported between the available processing blocks.

The digital core provides parametric equalisation (EQ) functions, dynamic range control (DRC), low-pass / high-pass filters (LHPF), and programmable DSP capability. The DSP can support functions such as wind noise, side-tone or other programmable filters, also dynamic range control and compression, or virtual surround sound and other audio enhancements.

The WM8281 supports multiple signal paths through the digital core. Stereo full-duplex sample rate conversion is provided to allow digital audio to be routed between input (ADC) paths, output (DAC) paths, Digital Audio Interfaces (AIF1, AIF2 and AIF3) and SLIMbus paths operating at different sample rates and/or referenced to asynchronous clock domains.

The DSP functions are highly programmable, using application-specific control sequences. It should be noted that the DSP configuration data is lost whenever the DCVDD power domain is removed; the DSP configuration data must be downloaded to the WM8281 each time the device is powered up.

The procedure for configuring the WM8281 DSP functions is tailored to each customer's application; please contact your local Cirrus Logic representative for more details.

The WM8281 incorporates two 1kHz tone generators which can be used for 'beep' functions through any of the audio signal paths. A white noise generator is incorporated, to provide 'comfort noise' in cases where silence (digital mute) is not desirable.

A haptic signal generator is provided, for use with external haptic devices (eg. mechanical vibration actuators). Two Pulse Width Modulation (PWM) signal generators are also provided; the PWM waveforms can be modulated by an audio source within the digital core, and can be output on a GPIO pin.

The WM8281 also incorporates the Cirrus Logic Ambient Noise Cancellation (ANC) functionality; note that this is described in a separate section, see "Ambient Noise Cancellation".

An overview of the digital core processing and mixing functions is provided in Figure 22. An overview of the external digital interface paths is provided in Figure 23.

The control registers associated with the digital core signal paths are shown in Figure 24 through to Figure 41. The full list of digital mixer control registers is provided in the "Register Map" section (Register R1600 through to R3000). Generic register definitions are provided in Table 8.

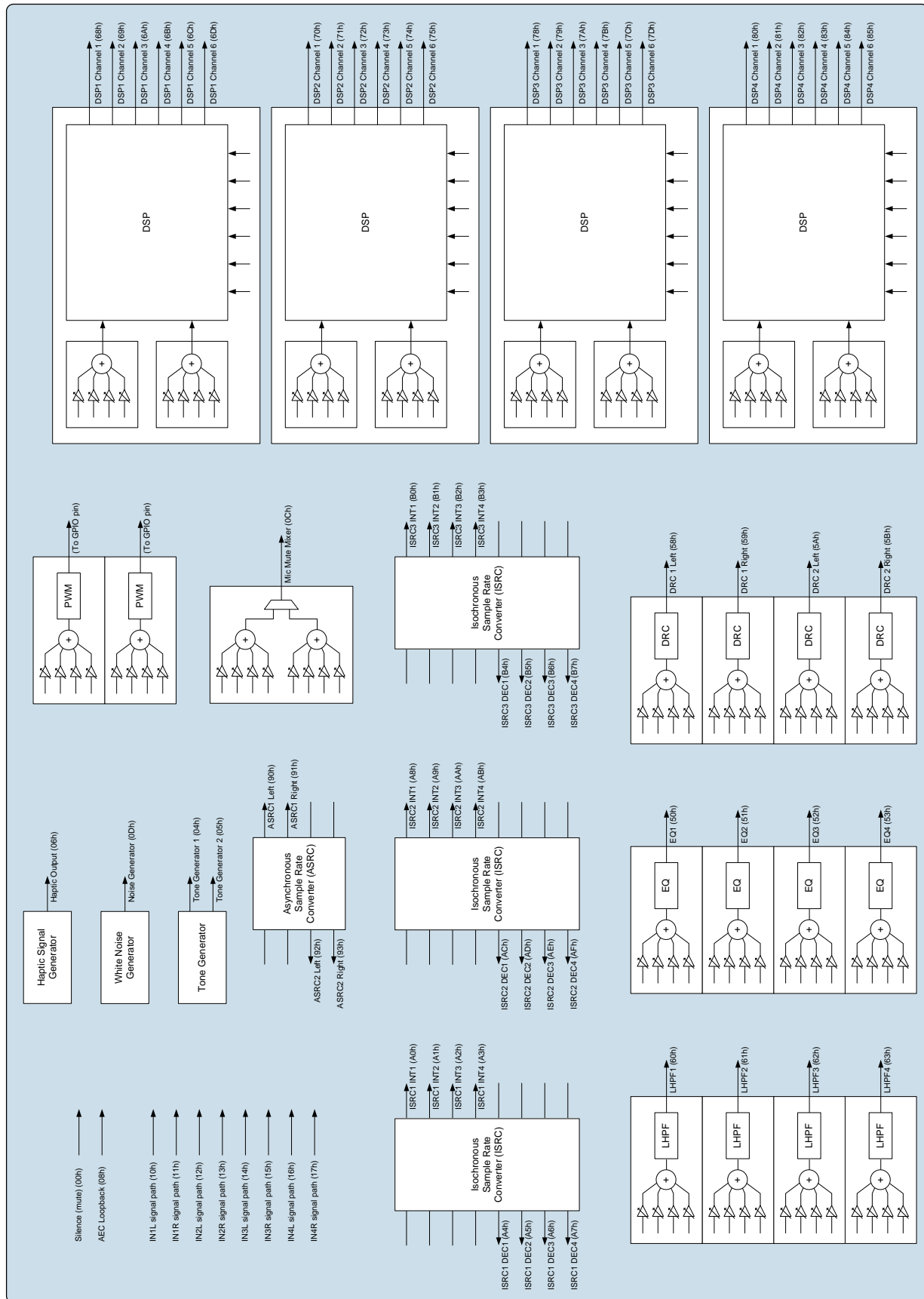
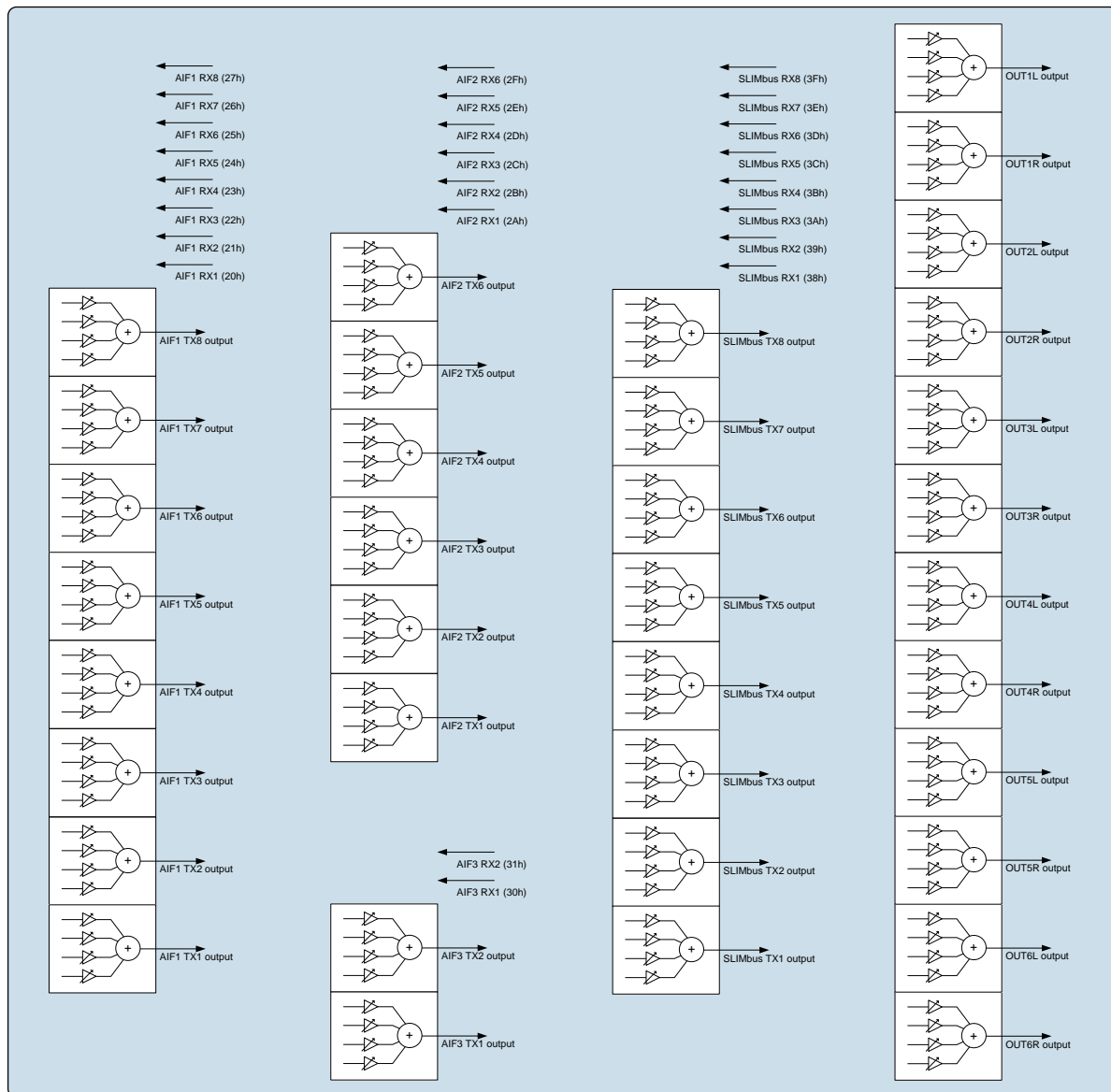


Figure 22 Digital Core - Internal Signal Processing



**Figure 23 Digital Core - External Digital Interfaces**

### DIGITAL CORE MIXERS

The WM8281 provides an extensive digital mixing capability. The digital core signal processing blocks and audio interface paths are illustrated in Figure 22 and Figure 23.

A 4-input digital mixer is associated with many of these functions, as illustrated. The digital mixer circuit is identical in each instance, providing up to 4 selectable input sources, with independent volume control on each input.

The control registers associated with the digital core signal paths are shown in Figure 24 through to Figure 41. The full list of digital mixer control registers is provided in the “Register Map” section (Register R1600 through to R3000).

Further description of the associated control registers is provided below. Generic register definitions are provided in Table 8.

The digital mixer input sources are selected using the associated \*\_SRCn registers; the volume control is implemented via the associated \*\_VOLn registers.



The ASRC, ISRC, and DSP Aux Input functions support selectable input sources, but do not incorporate any digital mixing. The respective input source (\*\_SRC $n$ ) registers are identical to those of the digital mixers.

The \*\_SRC $n$  registers select the input source(s) for the respective mixer or signal processing block. Note that the selected input source(s) must be configured for the same sample rate as the block(s) to which they are connected. Sample rate conversion functions are available to support flexible interconnectivity - see “Asynchronous Sample Rate Converter (ASRC)” and “Isochronous Sample Rate Converter (ISRC)”.

A status bit associated with each of the configurable input sources provides readback for the respective signal path. If an Underclocked Error condition occurs, then these bits provide readback of which signal path(s) have been successfully enabled.

The generic register definition for the digital mixers is provided in Table 8.

REGISTER ADDRESS	BIT	LABEL	DEFAULT	DESCRIPTION
R1600 (0640h) to R3000 (0BB8h)	15	*_STS $n$  Valid for every digital core function input (digital mixers, DSP Aux inputs, ASRC & ISRC inputs).	0	[Digital Core function] input $n$ status 0 = Disabled 1 = Enabled
	7:1	*_VOL $n$  Valid for every digital mixer input.	40h	[Digital Core mixer] input $n$ volume -32dB to +16dB in 1dB steps 00h to 20h = -32dB 21h = -31dB 22h = -30dB ... (1dB steps) 40h = 0dB ... (1dB steps) 50h = +16dB 51h to 7Fh = +16dB
	7:0	*_SRC $n$  Valid for every digital core function input (digital mixers, DSP Aux inputs, ASRC & ISRC inputs).	00h	[Digital Core function] input $n$ source select 00h = Silence (mute) 04h = Tone generator 1 05h = Tone generator 2 06h = Haptic generator 08h = AEC loopback 0Ch = Mic Mute Mixer 0Dh = Noise generator 10h = IN1L signal path 11h = IN1R signal path 12h = IN2L signal path 13h = IN2R signal path 14h = IN3L signal path 15h = IN3R signal path 16h = IN4L signal path 17h = IN4R signal path 20h = AIF1 RX1 21h = AIF1 RX2 22h = AIF1 RX3 23h = AIF1 RX4 24h = AIF1 RX5 25h = AIF1 RX6 26h = AIF1 RX7 27h = AIF1 RX8

REGISTER ADDRESS	BIT	LABEL	DEFAULT	DESCRIPTION
				28h = AIF2 RX1
				29h = AIF2 RX2
				2Ah = AIF2 RX3
				2Bh = AIF2 RX4
				2Ch = AIF2 RX5
				2Dh = AIF2 RX6
				30h = AIF3 RX1
				31h = AIF3 RX2
				38h = SLIMbus RX1
				39h = SLIMbus RX2
				3Ah = SLIMbus RX3
				3Bh = SLIMbus RX4
				3Ch = SLIMbus RX5
				3Dh = SLIMbus RX6
				3Eh = SLIMbus RX7
				3Fh = SLIMbus RX8
				50h = EQ1
				51h = EQ2
				52h = EQ3
				53h = EQ4
				58h = DRC1 Left
				59h = DRC1 Right
				5Ah = DRC2 Left
				5Bh = DRC2 Right
				60h = LHPF1
				61h = LHPF2
				62h = LHPF3
				63h = LHPF4
				68h = DSP1 channel 1
				69h = DSP1 channel 2
				6Ah = DSP1 channel 3
				6Bh = DSP1 channel 4
				6Ch = DSP1 channel 5
				6Dh = DSP1 channel 6
				70h = DSP2 channel 1
				71h = DSP2 channel 2
				72h = DSP2 channel 3
				73h = DSP2 channel 4
				74h = DSP2 channel 5
				75h = DSP2 channel 6
				78h = DSP3 channel 1
				79h = DSP3 channel 2
				7Ah = DSP3 channel 3
				7Bh = DSP3 channel 4
				7Ch = DSP3 channel 5
				7Dh = DSP3 channel 6
				80h = DSP4 channel 1
				81h = DSP4 channel 2
				82h = DSP4 channel 3
				83h = DSP4 channel 4
				84h = DSP4 channel 5
				85h = DSP4 channel 6
				90h = ASRC1 Left
				91h = ASRC1 Right
				92h = ASRC2 Left
				93h = ASRC2 Right
				A0h = ISRC1 INT1
				A1h = ISRC1 INT2

REGISTER ADDRESS	BIT	LABEL	DEFAULT	DESCRIPTION
				A2h = ISRC1 INT3
				A3h = ISRC1 INT4
				A4h = ISRC1 DEC1
				A5h = ISRC1 DEC2
				A6h = ISRC1 DEC3
				A7h = ISRC1 DEC4
				A8h = ISRC2 INT1
				A9h = ISRC2 INT2
				AAh = ISRC2 INT3
				ABh = ISRC2 INT4
				ACh = ISRC2 DEC1
				ADh = ISRC2 DEC2
				A Eh = ISRC2 DEC3
				AFh = ISRC2 DEC4
				B0h = ISRC3 INT1
				B1h = ISRC3 INT2
				B2h = ISRC3 INT3
				B3h = ISRC3 INT4
				B4h = ISRC3 DEC1
				B5h = ISRC3 DEC2
				B6h = ISRC3 DEC3
				B7h = ISRC3 DEC4

**Table 8 Digital Core Mixer Control Registers**

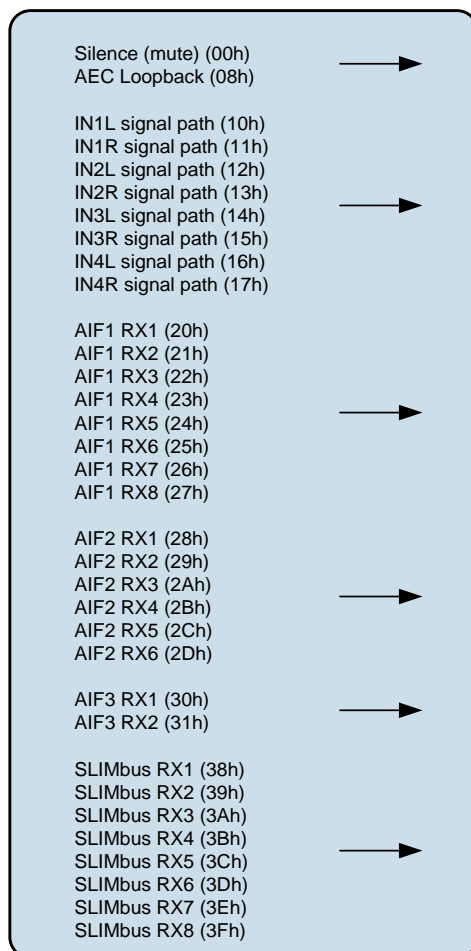
### DIGITAL CORE INPUTS

The digital core comprises multiple input paths as illustrated in Figure 24. Any of these inputs may be selected as a source to the digital mixers or signal processing functions within the WM8281 digital core.

Note that the outputs from other blocks within the Digital Core may also be selected as input to the digital mixers or signal processing functions within the WM8281 digital core. Those input sources, which are not shown in Figure 24, are described separately in other sections of the "Digital Core" description.

The bracketed numbers in Figure 24, eg. "(10h)" indicate the corresponding \*\_SRC*n* register setting for selection of that signal as an input to another digital core function.

The sample rate for the input signal paths is configured using the applicable IN\_RATE, AIFn\_RATE or SLIMRX*n*\_RATE register - see Table 23. Note that sample rate conversion is required when routing the input signal paths to any signal chain that is asynchronous and/or configured for a different sample rate.



**Figure 24 Digital Core Inputs**

## DIGITAL CORE OUTPUT MIXERS

The digital core comprises multiple output paths. The output paths associated with AIF1, AIF2 and AIF3 are illustrated in Figure 25. The output paths associated with OUT1, OUT2, OUT3, OUT4, OUT5 and OUT6 are illustrated in Figure 26. The output paths associated with the SLIMbus interface are illustrated in Figure 27.

A 4-input mixer is associated with each output. The 4 input sources are selectable in each case, and independent volume control is provided for each path.

The AIF1, AIF2 and AIF3 output mixer control registers (see Figure 25) are located at register addresses R1792 (700h) through to R1935 (78Fh). The OUT1, OUT2, OUT3, OUT4, OUT5 and OUT6 output mixer control registers (see Figure 26) are located at addresses R1664 (680h) through to R1759 (6DFh). The SLIMbus output mixer control registers (see Figure 27) are located at addresses R1984 (7C0h) through to R2047 (7FFh).

The full list of digital mixer control registers is provided in the “Register Map” section (Register R1600 through to R3000). Generic register definitions are provided in Table 8.

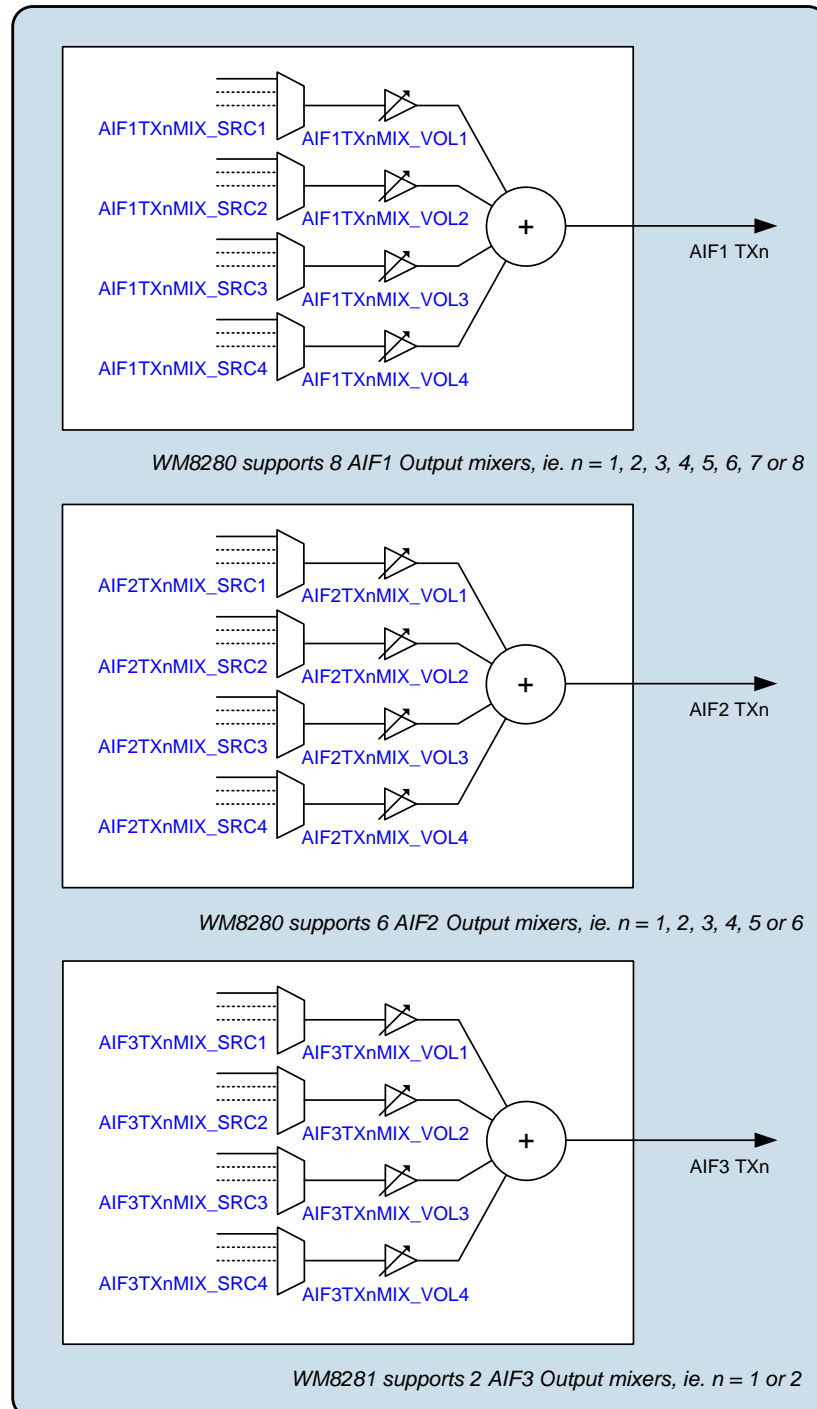
The \*\_SRCn registers select the input source(s) for the respective mixers. Note that the selected input source(s) must be configured for the same sample rate as the mixer to which they are connected. Sample rate conversion functions are available to support flexible interconnectivity - see “Asynchronous Sample Rate Converter (ASRC)” and “Isochronous Sample Rate Converter (ISRC)”.

The sample rate for the output signal paths is configured using the applicable OUT\_RATE, AIFn\_RATE or SLIMTXn\_RATE register - see Table 23. Note that sample rate conversion is required when routing the output signal paths to any signal chain that is asynchronous and/or configured for a different sample rate.

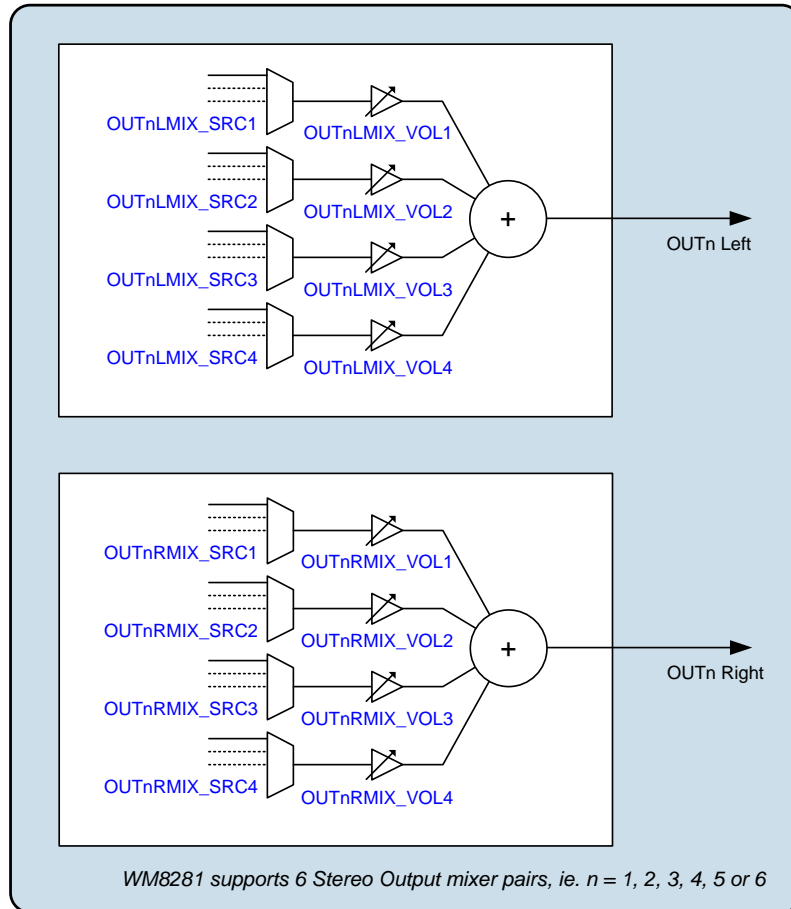
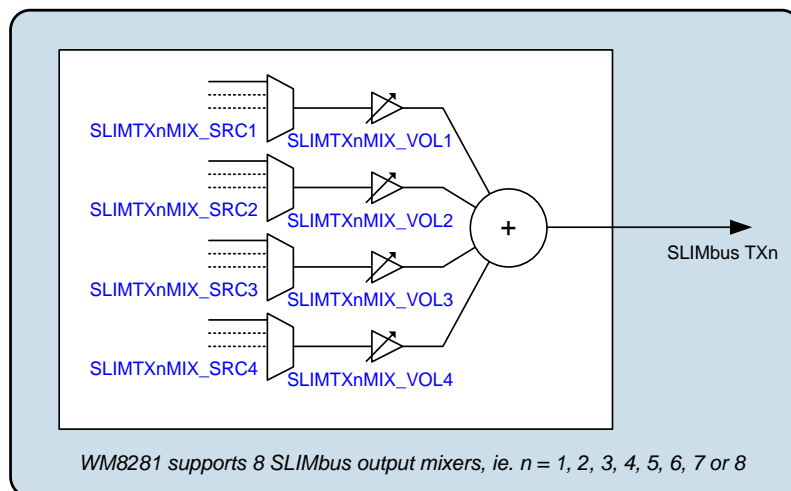
The WM8281 performs automatic checks to confirm that the SYSCLK frequency is high enough to support the output mixer paths. If an attempt is made to enable an output mixer path, and there are insufficient SYSCLK cycles to support it, then the attempt will be unsuccessful. (Note that any signal paths that are already active will not be affected under these circumstances.)

The Underclocked Error condition can be monitored using the GPIO and/or Interrupt functions. See “General Purpose Input / Output” and “Interrupts” for further details.

The status bits in Registers R1600 to R3000 indicate the status of each of the digital mixers. If an Underclocked Error condition occurs, then these bits provide readback of which mixer(s) have been successfully enabled.



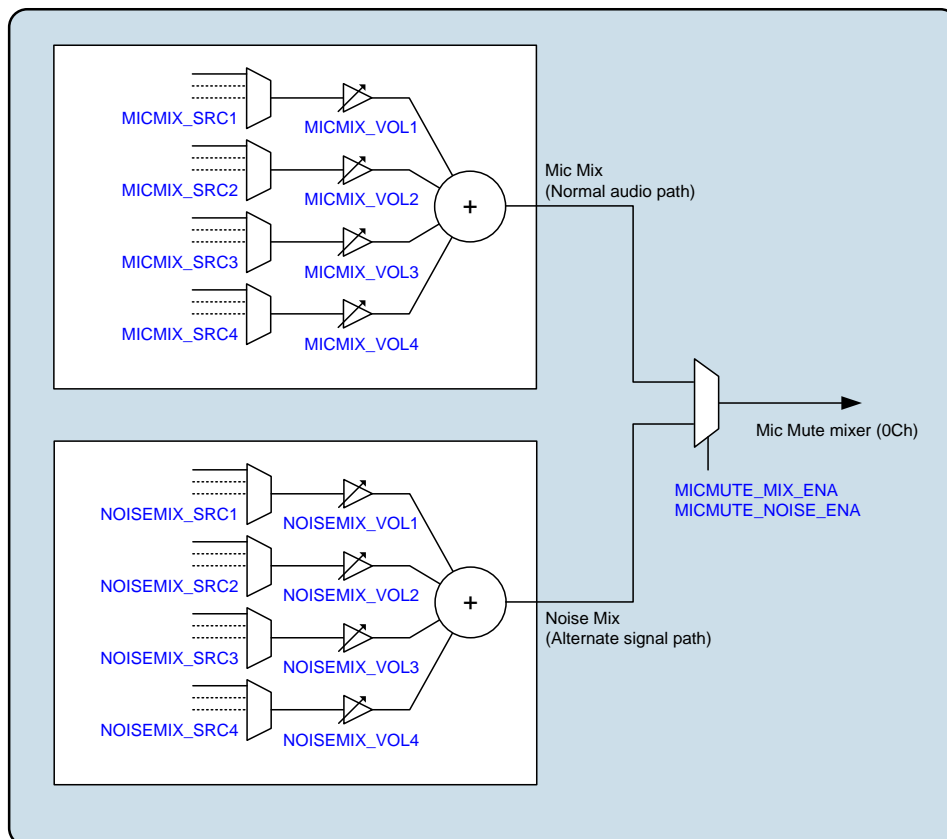
**Figure 25** Digital Core AIF Outputs


**Figure 26 Digital Core OUTn Outputs**

**Figure 27 Digital Core SLIMbus Outputs**

**MIC MUTE MIXER**

The Mic Mute mixer function supports applications where two signal paths are multiplexed into a single output. A typical use case is muting a microphone audio path and inserting a 'comfort noise' signal in place of the normal audio path.

The Mic Mute mixer function comprises two digital mixers (MICMIX and NOISEMIX), as illustrated in Figure 28. A multiplexer selects one or other mixer as the Mic Mute output signal. Up to 4 input sources can be selected for each mixer, and independent volume control is provided for each path.



**Figure 28 Mic Mute Digital Mixers**

The MICMIX and NOISEMIX control registers (see Figure 28) are located at register addresses R1632 (0660h) through to R1647 (066Fh).

The full list of digital mixer control registers is provided in the "Register Map" section (Register R1600 through to R3000). Generic register definitions are provided in Table 8.

The Mic Mute mixer can be selected as input to any of the digital mixers or signal processing functions within the WM8281 digital core. The bracketed number (0Ch) in Figure 28 indicates the corresponding \*\_SRCn register setting for selection of the Mic Mute mixer as an input to another digital core function.

The sample rate for the Mic Mute mixer and multiplexer is configured using the MICMUTE\_RATE register - see Table 23. Note that sample rate conversion is required when routing the Mic Mute mixer to any signal chain that is asynchronous and/or configured for a different sample rate.

The control registers associated with the Mic Mute mixer function are described in Table 9.

The output of the Mic Mute mixer and multiplexer is enabled using MICMUTE\_MIX\_ENA.

The multiplexer is controlled using the MICMUTE\_NOISE\_ENA register bit, selecting MICMIX or NOISEMIX as the output signal source.

Under recommended operating conditions, the MICMIX output is selected for normal (audio) conditions, and the NOISEMIX output is selected for mute (or 'comfort noise') conditions.

REGISTER ADDRESS	BIT	LABEL	DEFAULT	DESCRIPTION
R707 (02C3h) Mic noise mix control 1	7	MICMUTE_NOIS E_ENA	0	Mic Mute Mixer Control 0 = Mic Mix 1 = Noise Mix
	6	MICMUTE_MIX_ ENA	0	Mic Mute Mixer Enable 0 = Disabled 1 = Enabled

**Table 9 Mic Mute Mixer Control Registers**

The WM8281 performs automatic checks to confirm that the SYSCLK frequency is high enough to support the commanded digital mixing functions. If an attempt is made to enable a MICMIX or NOISEMIX signal path, and there are insufficient SYSCLK cycles to support it, then the attempt will be unsuccessful. (Note that any signal paths that are already active will not be affected under these circumstances.)

The Underclocked Error condition can be monitored using the GPIO and/or Interrupt functions. See “General Purpose Input / Output” and “Interrupts” for further details.

The status bits in Registers R1600 to R3000 indicate the status of each of the digital mixers. If an Underclocked Error condition occurs, then these bits provide readback of which mixer(s) have been successfully enabled, and which mixer(s) could not be enabled.

## 5-BAND PARAMETRIC EQUALISER (EQ)

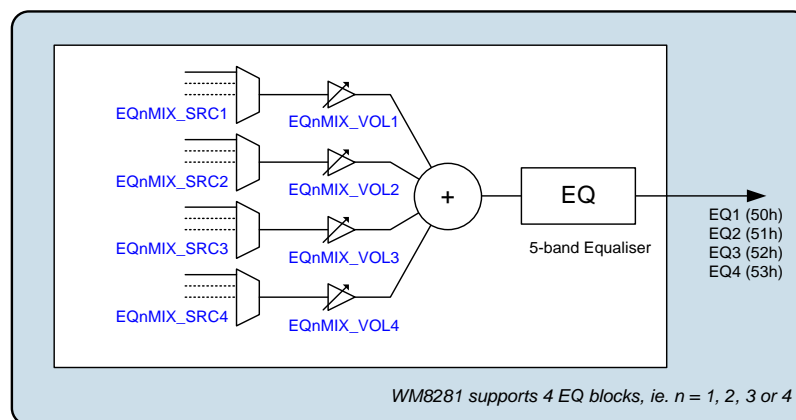
The digital core provides four EQ processing blocks as illustrated in Figure 29. A 4-input mixer is associated with each EQ. The 4 input sources are selectable in each case, and independent volume control is provided for each path. Each EQ block supports 1 output.

The EQ provides selective control of 5 frequency bands as described below.

The low frequency band (Band 1) filter can be configured either as a peak filter or a shelving filter. When configured as a shelving filter, it provides adjustable gain below the Band 1 cut-off frequency. As a peak filter, it provides adjustable gain within a defined frequency band that is centred on the Band 1 frequency.

The mid frequency bands (Band 2, Band 3, Band 4) filters are peak filters, which provide adjustable gain around the respective centre frequency.

The high frequency band (Band 5) filter is a shelving filter, which provides adjustable gain above the Band 5 cut-off frequency.



**Figure 29 Digital Core EQ Blocks**



The EQ1, EQ2, EQ3 and EQ4 mixer control registers (see Figure 29) are located at register addresses R2176 (880h) through to R2207 (89Fh).

The full list of digital mixer control registers is provided in the “Register Map” section (Register R1600 through to R3000). Generic register definitions are provided in Table 8.

The \*\_SRCn registers select the input source(s) for the respective EQ processing blocks. Note that the selected input source(s) must be configured for the same sample rate as the EQ to which they are connected. Sample rate conversion functions are available to support flexible interconnectivity - see “Asynchronous Sample Rate Converter (ASRC)” and “Isochronous Sample Rate Converter (ISRC)”.

The bracketed numbers in Figure 29, eg. “(50h)” indicate the corresponding \*\_SRCn register setting for selection of that signal as an input to another digital core function.

The sample rate for the EQ function is configured using the FX\_RATE register - see Table 23. Note that the EQ, DRC and LHPF functions must all be configured for the same sample rate.

The EQ function supports audio sample rates in the range 8kHz to 192kHz. When the DRC is enabled, the maximum sample rate for the EQ, DRC and LHPF functions is 96kHz.

Sample rate conversion is required when routing the EQ signal paths to any signal chain that is asynchronous and/or configured for a different sample rate.

The control registers associated with the EQ functions are described in Table 11.

The cut-off or centre frequencies for the 5-band EQ are set using the coefficients held in the registers identified in Table 10. These coefficients are derived using tools provided in Cirrus Logic’s WISCE™ evaluation board control software; please contact your local Cirrus Logic representative for more details.

EQ	REGISTER ADDRESSES
EQ1	R3602 (0E10h) to R3620 (0E24h)
EQ2	R3624 (0E28h) to R3642 (0E3Ah)
EQ3	R3646 (0E3Eh) to R3664 (0E53h)
EQ4	R3668 (0E54h) to R3686 (0E66h)

**Table 10 EQ Coefficient Registers**

REGISTER ADDRESS	BIT	LABEL	DEFAULT	DESCRIPTION
R3585 (0E01h) FX_Ctrl2	15:4	FX_STS [11:0]	00h	LHPF, DRC, EQ Enable Status Indicates the status of each of the respective signal processing functions. [11] = EQ4 [10] = EQ3 [9] = EQ2 [8] = EQ1 [7] = DRC2 (Right) [6] = DRC2 (Left) [5] = DRC1 (Right) [4] = DRC1 (Left) [3] = LHPF4 [2] = LHPF3 [1] = LHPF2 [0] = LHPF1  Each bit is coded as: 0 = Disabled 1 = Enabled
R3600 (0E10h) EQ1_1	15:11	EQ1_B1_GAIN [4:0]	01100	EQ1 Band 1 Gain -12dB to +12dB in 1dB steps (see Table 12 for gain range)
	10:6	EQ1_B2_GAIN [4:0]	01100	EQ1 Band 2 Gain -12dB to +12dB in 1dB steps (see Table 12 for gain range)

REGISTER ADDRESS	BIT	LABEL	DEFAULT	DESCRIPTION
	5:1	EQ1_B3_GAIN [4:0]	01100	EQ1 Band 3 Gain -12dB to +12dB in 1dB steps (see Table 12 for gain range)
	0	EQ1_ENA	0	EQ1 Enable 0 = Disabled 1 = Enabled
R3601 (0E11h) EQ1_2	15:11	EQ1_B4_GAIN [4:0]	01100	EQ1 Band 4 Gain -12dB to +12dB in 1dB steps (see Table 12 for gain range)
	10:6	EQ1_B5_GAIN [4:0]	01100	EQ1 Band 5 Gain -12dB to +12dB in 1dB steps (see Table 12 for gain range)
	0	EQ1_B1_MODE	0	EQ1 Band 1 Mode 0 = Shelving filter 1 = Peak filter
R3602 (0E12h) to R3620 (E24h)	15:0	EQ1_B1_* EQ1_B2_* EQ1_B3_* EQ1_B4_* EQ1_B5_*		EQ1 Frequency Coefficients Refer to WISCE evaluation board control software for the derivation of these field values.
R3622 (0E26h) EQ2_1	15:11	EQ2_B1_GAIN [4:0]	01100	EQ2 Band 1 Gain -12dB to +12dB in 1dB steps (see Table 12 for gain range)
	10:6	EQ2_B2_GAIN [4:0]	01100	EQ2 Band 2 Gain -12dB to +12dB in 1dB steps (see Table 12 for gain range)
	5:1	EQ2_B3_GAIN [4:0]	01100	EQ2 Band 3 Gain -12dB to +12dB in 1dB steps (see Table 12 for gain range)
	0	EQ2_ENA	0	EQ2 Enable 0 = Disabled 1 = Enabled
R3623 (0E27h) EQ2_2	15:11	EQ2_B4_GAIN [4:0]	01100	EQ2 Band 4 Gain -12dB to +12dB in 1dB steps (see Table 12 for gain range)
	10:6	EQ2_B5_GAIN [4:0]	01100	EQ2 Band 5 Gain -12dB to +12dB in 1dB steps (see Table 12 for gain range)
	0	EQ2_B1_MODE	0	EQ2 Band 1 Mode 0 = Shelving filter 1 = Peak filter
R3624 (0E28h) to R3642 (E3Ah)	15:0	EQ2_B1_* EQ2_B2_* EQ2_B3_* EQ2_B4_* EQ2_B5_*		EQ2 Frequency Coefficients Refer to WISCE evaluation board control software for the derivation of these field values.
R3644 (0E3Ch) EQ3_1	15:11	EQ3_B1_GAIN [4:0]	01100	EQ3 Band 1 Gain -12dB to +12dB in 1dB steps (see Table 12 for gain range)
	10:6	EQ3_B2_GAIN [4:0]	01100	EQ3 Band 2 Gain -12dB to +12dB in 1dB steps (see Table 12 for gain range)
	5:1	EQ3_B3_GAIN [4:0]	01100	EQ3 Band 3 Gain -12dB to +12dB in 1dB steps (see Table 12 for gain range)

REGISTER ADDRESS	BIT	LABEL	DEFAULT	DESCRIPTION
	0	EQ3_ENA	0	EQ3 Enable 0 = Disabled 1 = Enabled
R3645 (0E3Dh) EQ3_2	15:11	EQ3_B4_GAIN [4:0]	01100	EQ3 Band 4 Gain -12dB to +12dB in 1dB steps (see Table 12 for gain range)
	10:6	EQ3_B5_GAIN [4:0]	01100	EQ3 Band 5 Gain -12dB to +12dB in 1dB steps (see Table 12 for gain range)
	0	EQ3_B1_MODE	0	EQ3 Band 1 Mode 0 = Shelving filter 1 = Peak filter
R3646 (0E3Eh) to R3664 (E50h)	15:0	EQ3_B1_* EQ3_B2_* EQ3_B3_* EQ3_B4_* EQ3_B5_*		EQ3 Frequency Coefficients Refer to WISCE evaluation board control software for the derivation of these field values.
R3666 (0E52h) EQ4_1	15:11	EQ4_B1_GAIN [4:0]	01100	EQ4 Band 1 Gain -12dB to +12dB in 1dB steps (see Table 12 for gain range)
	10:6	EQ4_B2_GAIN [4:0]	01100	EQ4 Band 2 Gain -12dB to +12dB in 1dB steps (see Table 12 for gain range)
	5:1	EQ4_B3_GAIN [4:0]	01100	EQ4 Band 3 Gain -12dB to +12dB in 1dB steps (see Table 12 for gain range)
	0	EQ4_ENA	0	EQ4 Enable 0 = Disabled 1 = Enabled
R3667 (0E53h) EQ4_2	15:11	EQ4_B4_GAIN [4:0]	01100	EQ4 Band 4 Gain -12dB to +12dB in 1dB steps (see Table 12 for gain range)
	10:6	EQ4_B5_GAIN [4:0]	01100	EQ4 Band 5 Gain -12dB to +12dB in 1dB steps (see Table 12 for gain range)
	0	EQ4_B1_MODE	0	EQ4 Band 1 Mode 0 = Shelving filter 1 = Peak filter
R3668 (0E54h) to R3686 (E66h)	15:0	EQ4_B1_* EQ4_B2_* EQ4_B3_* EQ4_B4_* EQ4_B5_*		EQ4 Frequency Coefficients Refer to WISCE evaluation board control software for the derivation of these field values.

**Table 11 EQ Enable and Gain Control**

EQ GAIN SETTING	GAIN (dB)
00000	-12
00001	-11
00010	-10
00011	-9
00100	-8
00101	-7
00110	-6
00111	-5
01000	-4
01001	-3
01010	-2
01011	-1
01100	0
01101	+1
01110	+2
01111	+3
10000	+4
10001	+5
10010	+6
10011	+7
10100	+8
10101	+9
10110	+10
10111	+11
11000	+12
11001 to 11111	Reserved

**Table 12 EQ Gain Control Range**

The WM8281 performs automatic checks to confirm that the SYSCLK frequency is high enough to support the commanded EQ and digital mixing functions. If an attempt is made to enable an EQ signal path, and there are insufficient SYSCLK cycles to support it, then the attempt will be unsuccessful. (Note that any signal paths that are already active will not be affected under these circumstances.)

The Underclocked Error can be monitored using the GPIO and/or Interrupt functions. See “General Purpose Input / Output” and “Interrupts” for further details.

The FX\_STS field in Register R3585 indicates the status of each of the EQ, DRC and LHPF signal paths. If an Underclocked Error condition occurs, then this register provides readback of which EQ, DRC or LHPF signal path(s) have been successfully enabled.

The status bits in Registers R1600 to R3000 indicate the status of each of the digital mixers. If an Underclocked Error condition occurs, then these bits provide readback of which mixer(s) have been successfully enabled.

### **DYNAMIC RANGE CONTROL (DRC)**

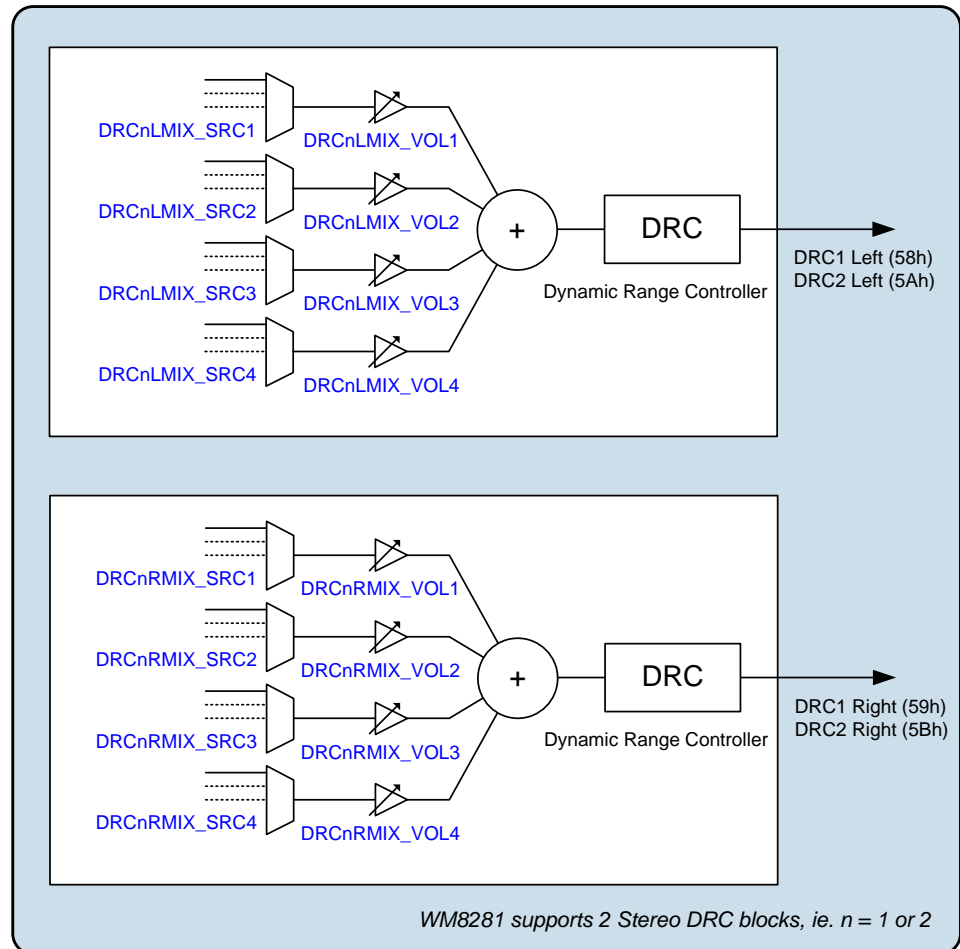
The digital core provides two stereo Dynamic Range Control (DRC) processing blocks as illustrated in Figure 30. A 4-input mixer is associated with each DRC input channel. The 4 input sources are selectable in each case, and independent volume control is provided for each path. The stereo DRC blocks support 2 outputs each.

The function of the DRC is to adjust the signal gain in conditions where the input amplitude is unknown or varies over a wide range, e.g. when recording from microphones built into a handheld system, or to restrict the dynamic range of an output signal path.

The DRC can apply Compression and Automatic Level Control to the signal path. It incorporates ‘anti-clip’ and ‘quick release’ features for handling transients in order to improve intelligibility in the presence of loud impulsive noises.

The DRC also incorporates a Noise Gate function, which provides additional attenuation of very low-level input signals. This means that the signal path is quiet when no signal is present, giving an improvement in background noise level under these conditions.

A Signal Detect function is provided within the DRC; this can be used to detect the presence of an audio signal, and used to trigger other events. The Signal Detect function can be used as an Interrupt event, or as a GPIO output, or used to trigger the Control Write Sequencer (note - DRC1 only).



**Figure 30 Dynamic Range Control (DRC) Block**

The DRC1 and DRC2 mixer control registers (see Figure 30) are located at register addresses R2240 (8C0h) through to R2271 (08DFh).

The full list of digital mixer control registers is provided in the “Register Map” section (Register R1600 through to R3000). Generic register definitions are provided in Table 8.

The \*\_SRCn registers select the input source(s) for the respective DRC processing blocks. Note that the selected input source(s) must be configured for the same sample rate as the DRC to which they are connected. Sample rate conversion functions are available to support flexible interconnectivity - see “Asynchronous Sample Rate Converter (ASRC)” and “Isochronous Sample Rate Converter (ISRC)”.

The bracketed numbers in Figure 30, eg. “(58h)” indicate the corresponding \*\_SRCn register setting for selection of that signal as an input to another digital core function.

The sample rate for the DRC function is configured using the FX\_RATE register - see Table 23. Note that the EQ, DRC and LHPF functions must all be configured for the same sample rate.

The DRC function supports audio sample rates in the range 8kHz to 96kHz. Higher sample rates (up to 192kHz) may be selected using FX\_RATE, provided that the DRC function is disabled.

Sample rate conversion is required when routing the DRC signal paths to any signal chain that is asynchronous and/or configured for a different sample rate.

The DRC functions are enabled using the control registers described in Table 13.

REGISTER ADDRESS	BIT	LABEL	DEFAULT	DESCRIPTION
R3712 (0E80h) DRC1 ctrl1	1	DRC1L_ENA	0	DRC1 (Left) Enable 0 = Disabled 1 = Enabled
	0	DRC1R_ENA	0	DRC1 (Right) Enable 0 = Disabled 1 = Enabled
R3721 (0E89h) DRC2 ctrl1	1	DRC2L_ENA	0	DRC2 (Left) Enable 0 = Disabled 1 = Enabled
	0	DRC2R_ENA	0	DRC2 (Right) Enable 0 = Disabled 1 = Enabled

**Table 13 DRC Enable**

The following description of the DRC is applicable to each of the DRCs. The associated register control fields are described in Table 15 and Table 16 for DRC1 and DRC2 respectively.

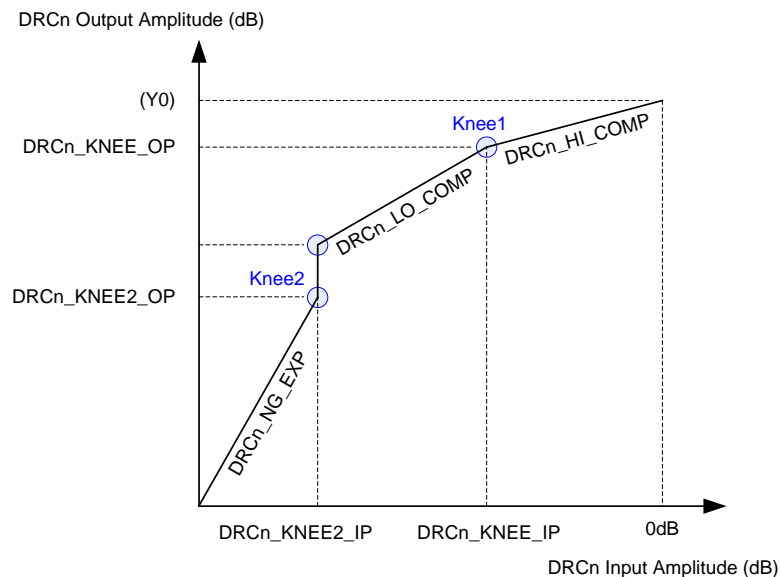
#### DRC Compression / Expansion / Limiting

The DRC supports two different compression regions, separated by a “Knee” at a specific input amplitude. In the region above the knee, the compression slope  $DRCn\_HI\_COMP$  applies; in the region below the knee, the compression slope  $DRCn\_LO\_COMP$  applies. (Note that ‘n’ identifies the applicable DRC 1 or 2.)

The DRC also supports a noise gate region, where low-level input signals are heavily attenuated. This function can be enabled or disabled according to the application requirements. The DRC response in this region is defined by the expansion slope  $DRCn\_NG\_EXP$ .

For additional attenuation of signals in the noise gate region, an additional “knee” can be defined (shown as “Knee2” in Figure 31). When this knee is enabled, this introduces an infinitely steep drop-off in the DRC response pattern between the  $DRCn\_LO\_COMP$  and  $DRCn\_NG\_EXP$  regions.

The overall DRC compression characteristic in “steady state” (i.e. where the input amplitude is near-constant) is illustrated in Figure 31.



**Figure 31 DRC Response Characteristic**

The slope of the DRC response is determined by register fields DRCn\_HI\_COMP and DRCn\_LO\_COMP. A slope of 1 indicates constant gain in this region. A slope less than 1 represents compression (i.e. a change in input amplitude produces only a smaller change in output amplitude). A slope of 0 indicates that the target output amplitude is the same across a range of input amplitudes; this is infinite compression.

When the noise gate is enabled, the DRC response in this region is determined by the DRCn\_NG\_EXP register. A slope of 1 indicates constant gain in this region. A slope greater than 1 represents expansion (ie. a change in input amplitude produces a larger change in output amplitude).

When the DRCn\_KNEE2\_OP knee is enabled (“Knee2” in Figure 31), this introduces the vertical line in the response pattern illustrated, resulting in infinitely steep attenuation at this point in the response.

The DRC parameters are listed in Table 14.

REF	PARAMETER	DESCRIPTION
1	DRCn_KNEE_IP	Input level at Knee1 (dB)
2	DRCn_KNEE_OP	Output level at Knee2 (dB)
3	DRCn_HI_COMP	Compression ratio above Knee1
4	DRCn_LO_COMP	Compression ratio below Knee1
5	DRCn_KNEE2_IP	Input level at Knee2 (dB)
6	DRCn_NG_EXP	Expansion ratio below Knee2
7	DRCn_KNEE2_OP	Output level at Knee2 (dB)

**Table 14 DRC Response Parameters**

The noise gate is enabled when the DRCn\_NG\_ENA register is set. When the noise gate is not enabled, parameters 5, 6, 7 above are ignored, and the DRCn\_LO\_COMP slope applies to all input signal levels below Knee1.

The DRCn\_KNEE2\_OP knee is enabled when the DRCn\_KNEE2\_OP\_ENA register is set. When this bit is not set, then parameter 7 above is ignored, and the Knee2 position always coincides with the low end of the DRCn\_LO\_COMP region.

The “Knee1” point in Figure 31 is determined by register fields DRCn\_KNEE\_IP and DRCn\_KNEE\_OP.

Parameter Y0, the output level for a 0dB input, is not specified directly, but can be calculated from the other parameters, using the equation:

$$Y0 = \text{DRCn\_KNEE\_OP} - (\text{DRCn\_KNEE\_IP} \times \text{DRCn\_HI\_COMP})$$

#### Gain Limits

The minimum and maximum gain applied by the DRC is set by register fields DRCn\_MINGAIN, DRCn\_MAXGAIN and DRCn\_NG\_MINGAIN. These limits can be used to alter the DRC response from that illustrated in Figure 31. If the range between maximum and minimum gain is reduced, then the extent of the dynamic range control is reduced.

The minimum gain in the Compression regions of the DRC response is set by DRCn\_MINGAIN. The minimum gain in the Noise Gate region is set by DRCn\_NG\_MINGAIN. The minimum gain limit prevents excessive attenuation of the signal path.

The maximum gain limit set by DRCn\_MAXGAIN prevents quiet signals (or silence) from being excessively amplified.

### Dynamic Characteristics

The dynamic behaviour determines how quickly the DRC responds to changing signal levels. Note that the DRC responds to the average (RMS) signal amplitude over a period of time.

The DRCn\_ATK determines how quickly the DRC gain decreases when the signal amplitude is high. The DRCn\_DCY determines how quickly the DRC gain increases when the signal amplitude is low.

These register fields are described in Table 15. Note that the register defaults are suitable for general purpose microphone use.

### Anti-Clip Control

The DRC includes an Anti-Clip feature to avoid signal clipping when the input amplitude rises very quickly. This feature uses a feed-forward technique for early detection of a rising signal level. Signal clipping is avoided by dynamically increasing the gain attack rate when required. The Anti-Clip feature is enabled using the DRCn\_ANTICLIP bit.

Note that the feed-forward processing increases the latency in the input signal path.

Note that the Anti-Clip feature operates entirely in the digital domain. It cannot be used to prevent signal clipping in the analogue domain nor in the source signal. Analogue clipping can only be prevented by reducing the analogue signal gain or by adjusting the source signal.

### Quick Release Control

The DRC includes a Quick-Release feature to handle short transient peaks that are not related to the intended source signal. For example, in handheld microphone recording, transient signal peaks sometimes occur due to user handling, key presses or accidental tapping against the microphone. The Quick Release feature ensures that these transients do not cause the intended signal to be masked by the longer time constant of DRCn\_DCY.

The Quick-Release feature is enabled by setting the DRCn\_QR bit. When this bit is enabled, the DRC measures the crest factor (peak to RMS ratio) of the input signal. A high crest factor is indicative of a transient peak that may not be related to the intended source signal. If the crest factor exceeds the level set by DRCn\_QR\_THR, then the normal decay rate (DRCn\_DCY) is ignored and a faster decay rate (DRCn\_QR\_DCY) is used instead.

### Signal Activity Detect

The DRC incorporates a configurable signal detect function, allowing the signal level at the DRC input to be monitored and to be used to trigger other events. This can be used to detect the presence of a microphone signal on an ADC or digital mic channel, or can be used to detect an audio signal received over the digital audio interface.

The DRC Signal Detect function is enabled by setting DRCn\_SIG\_DET register bit. (Note that the respective DRCn must also be enabled.) The detection threshold is either a Peak level (Crest Factor) or an RMS level, depending on the DRCn\_SIG\_DET\_MODE register bit. When Peak level is selected, the threshold is determined by DRCn\_SIG\_DET\_PK, which defines the applicable Crest Factor (Peak to RMS ratio) threshold. If RMS level is selected, then the threshold is set using DRCn\_SIG\_DET\_RMS.

The DRC Signal Detect function is an input to the Interrupt control circuit and can be used to trigger an Interrupt event - see "Interrupts".

The DRC Signal Detect signal can be output directly on a GPIO pin as an external indication of the Signal Detection. See "General Purpose Input / Output" to configure a GPIO pin for this function.

The Control Write Sequencer can be triggered by the DRC1 Signal Detect function. This is enabled using the DRC1\_WSEQ\_SIG\_DET\_ENA register bit. See "Control Write Sequencer" for further details.

Note that signal detection is supported on DRC1 and DRC2, but the triggering of the Control Write Sequencer is available on DRC1 only.



### GPIO Outputs from DRC

The Dynamic Range Control (DRC) circuit provides a number of status outputs, which can be output directly on a GPIO pin as an external indication of the DRC Status. See “General Purpose Input / Output” to configure a GPIO pin for these functions.

Each of the DRC status outputs is described below.

The DRC Signal Detect flag indicates that a signal is present on the respective signal path. The threshold level for signal detection is configurable using the register fields are described in Table 15 and Table 16.

The DRC Anti-Clip flag indicates that the DRC Anti-Clip function has been triggered. In this event, the DRC gain is decreasing in response to a rising signal level. The flag is asserted until the DRC gain stabilises.

The DRC Decay flag indicates that the DRC gain is increasing in response to a low level signal input. The flag is asserted until the DRC gain stabilises.

The DRC Noise Gate flag indicates that the DRC Noise Gate function has been triggered, indicating that an idle condition has been detected in the signal path.

The DRC Quick Release flag indicates that the DRC Quick Release function has been triggered. In this event, the DRC gain is increasing rapidly following detection of a short transient peak. The flag is asserted until the DRC gain stabilises.

### DRC Register Controls

The DRC control registers are described in Table 15 and Table 16 for DRC1 and DRC2 respectively.

REGISTER ADDRESS	BIT	LABEL	DEFAULT	DESCRIPTION
R3585 (0E01h) FX_Ctrl2	15:4	FX_STS [11:0]	00h	LHPF, DRC, EQ Enable Status Indicates the status of each of the respective signal processing functions. [11] = EQ4 [10] = EQ3 [9] = EQ2 [8] = EQ1 [7] = DRC2 (Right) [6] = DRC2 (Left) [5] = DRC1 (Right) [4] = DRC1 (Left) [3] = LHPF4 [2] = LHPF3 [1] = LHPF2 [0] = LHPF1  Each bit is coded as: 0 = Disabled 1 = Enabled
R3712 (0E80h) DRC1 ctrl1	15:11	DRC1_SIG_DET_RMS [4:0]	00h	DRC1 Signal Detect RMS Threshold. This is the RMS signal level for signal detect to be indicated when DRC1_SIG_DET_MODE=1. 00h = -30dB 01h = -31.5dB ... (1.5dB steps) 1Eh = -75dB 1Fh = -76.5dB

REGISTER ADDRESS	BIT	LABEL	DEFAULT	DESCRIPTION
	10:9	DRC1_SIG_DET_PK [1:0]	00	DRC1 Signal Detect Peak Threshold. This is the Peak/RMS ratio, or Crest Factor, level for signal detect to be indicated when DRC1_SIG_DET_MODE=0. 00 = 12dB 01 = 18dB 10 = 24dB 11 = 30dB
	8	DRC1_NG_ENA	0	DRC1 Noise Gate Enable 0 = Disabled 1 = Enabled
	7	DRC1_SIG_DET_MODE	0	DRC1 Signal Detect Mode 0 = Peak threshold mode 1 = RMS threshold mode
	6	DRC1_SIG_DET	0	DRC1 Signal Detect Enable 0 = Disabled 1 = Enabled
	5	DRC1_KNEE2_OP_ENA	0	DRC1 KNEE2_OP Enable 0 = Disabled 1 = Enabled
	4	DRC1_QR	1	DRC1 Quick-release Enable 0 = Disabled 1 = Enabled
	3	DRC1_ANTICLIP	1	DRC1 Anti-clip Enable 0 = Disabled 1 = Enabled
	2	DRC1_WSEQ_SIG_DET_ENA	0	DRC1 Signal Detect Write Sequencer Select 0 = Disabled 1 = Enabled
R3713 (0E81h) DRC1 ctrl2	12:9	DRC1_ATK [3:0]	0100	DRC1 Gain attack rate (seconds/6dB) 0000 = Reserved 0001 = 181us 0010 = 363us 0011 = 726us 0100 = 1.45ms 0101 = 2.9ms 0110 = 5.8ms 0111 = 11.6ms 1000 = 23.2ms 1001 = 46.4ms 1010 = 92.8ms 1011 = 185.6ms 1100 to 1111 = Reserved

REGISTER ADDRESS	BIT	LABEL	DEFAULT	DESCRIPTION
	8:5	DRC1_DCY [3:0]	1001	DRC1 Gain decay rate (seconds/6dB) 0000 = 1.45ms 0001 = 2.9ms 0010 = 5.8ms 0011 = 11.6ms 0100 = 23.25ms 0101 = 46.5ms 0110 = 93ms 0111 = 186ms 1000 = 372ms 1001 = 743ms 1010 = 1.49s 1011 = 2.97s 1100 to 1111 = Reserved
	4:2	DRC1_MINGAIN [2:0]	100	DRC1 Minimum gain to attenuate audio signals 000 = 0dB 001 = -12dB 010 = -18dB 011 = -24dB 100 = -36dB 101 = Reserved 11X = Reserved
	1:0	DRC1_MAXGAIN [1:0]	11	DRC1 Maximum gain to boost audio signals (dB) 00 = 12dB 01 = 18dB 10 = 24dB 11 = 36dB
R3714 (0E82h) DRC1 ctrl3	15:12	DRC1_NG_MIN GAIN [3:0]	0000	DRC1 Minimum gain to attenuate audio signals when the noise gate is active. 0000 = -36dB 0001 = -30dB 0010 = -24dB 0011 = -18dB 0100 = -12dB 0101 = -6dB 0110 = 0dB 0111 = 6dB 1000 = 12dB 1001 = 18dB 1010 = 24dB 1011 = 30dB 1100 = 36dB 1101 to 1111 = Reserved
	11:10	DRC1_NG_EXP [1:0]	00	DRC1 Noise Gate slope 00 = 1 (no expansion) 01 = 2 10 = 4 11 = 8
	9:8	DRC1_QR_THR [1:0]	00	DRC1 Quick-release threshold (crest factor in dB) 00 = 12dB 01 = 18dB 10 = 24dB 11 = 30dB

REGISTER ADDRESS	BIT	LABEL	DEFAULT	DESCRIPTION
	7:6	DRC1_QR_DCY [1:0]	00	DRC1 Quick-release decay rate (seconds/6dB) 00 = 0.725ms 01 = 1.45ms 10 = 5.8ms 11 = Reserved
	5:3	DRC1_HI_COMP [2:0]	011	DRC1 Compressor slope (upper region) 000 = 1 (no compression) 001 = 1/2 010 = 1/4 011 = 1/8 100 = 1/16 101 = 0 110 = Reserved 111 = Reserved
	2:0	DRC1_LO_COMP [2:0]	000	DRC1 Compressor slope (lower region) 000 = 1 (no compression) 001 = 1/2 010 = 1/4 011 = 1/8 100 = 0 101 = Reserved 11X = Reserved
R3715 (0E83h) DRC1 ctrl4	10:5	DRC1_KNEE_IP [5:0]	000000	DRC1 Input signal level at the Compressor 'Knee'. 000000 = 0dB 000001 = -0.75dB 000010 = -1.5dB ... (-0.75dB steps) 111100 = -45dB 111101 = Reserved 11111X = Reserved
	4:0	DRC1_KNEE_OP [4:0]	00000	DRC1 Output signal at the Compressor 'Knee'. 00000 = 0dB 00001 = -0.75dB 00010 = -1.5dB ... (-0.75dB steps) 11110 = -22.5dB 11111 = Reserved
R3716 (0E84h) DRC1 ctrl5	9:5	DRC1_KNEE2_IP [4:0]	00000	DRC1 Input signal level at the Noise Gate threshold 'Knee2'. 00000 = -36dB 00001 = -37.5dB 00010 = -39dB ... (-1.5dB steps) 11110 = -81dB 11111 = -82.5dB Only applicable when DRC1_NG_ENA = 1.

REGISTER ADDRESS	BIT	LABEL	DEFAULT	DESCRIPTION
	4:0	DRC1_KNEE2_OP [4:0]	00000	DRC1 Output signal at the Noise Gate threshold 'Knee2'. 00000 = -30dB 00001 = -31.5dB 00010 = -33dB ... (-1.5dB steps) 11110 = -75dB 11111 = -76.5dB Only applicable when DRC1_KNEE2_OP_ENA = 1.

**Table 15 DRC1 Control Registers**

REGISTER ADDRESS	BIT	LABEL	DEFAULT	DESCRIPTION
R3585 (0E01h) FX_Ctrl2	15:4	FX_STS [11:0]	00h	LHPF, DRC, EQ Enable Status Indicates the status of each of the respective signal processing functions. [11] = EQ4 [10] = EQ3 [9] = EQ2 [8] = EQ1 [7] = DRC2 (Right) [6] = DRC2 (Left) [5] = DRC1 (Right) [4] = DRC1 (Left) [3] = LHPF4 [2] = LHPF3 [1] = LHPF2 [0] = LHPF1  Each bit is coded as: 0 = Disabled 1 = Enabled
R3721 (0E89h) DRC2 ctrl1	15:11	DRC2_SIG_DET_RMS [4:0]	00h	DRC2 Signal Detect RMS Threshold. This is the RMS signal level for signal detect to be indicated when DRC2_SIG_DET_MODE=1. 00h = -30dB 01h = -31.5dB ... (1.5dB steps) 1Eh = -75dB 1Fh = -76.5dB
	10:9	DRC2_SIG_DET_PK [1:0]	00	DRC2 Signal Detect Peak Threshold. This is the Peak/RMS ratio, or Crest Factor, level for signal detect to be indicated when DRC2_SIG_DET_MODE=0. 00 = 12dB 01 = 18dB 10 = 24dB 11 = 30dB
	8	DRC2_NG_ENA	0	DRC2 Noise Gate Enable 0 = Disabled 1 = Enabled

REGISTER ADDRESS	BIT	LABEL	DEFAULT	DESCRIPTION
	7	DRC2_SIG_DET_MODE	0	DRC2 Signal Detect Mode 0 = Peak threshold mode 1 = RMS threshold mode
	6	DRC2_SIG_DET	0	DRC2 Signal Detect Enable 0 = Disabled 1 = Enabled
	5	DRC2_KNEE2_OP_ENA	0	DRC2 KNEE2_OP Enable 0 = Disabled 1 = Enabled
	4	DRC2_QR	1	DRC2 Quick-release Enable 0 = Disabled 1 = Enabled
	3	DRC2_ANTICLIP	1	DRC2 Anti-clip Enable 0 = Disabled 1 = Enabled
R3722 (0E8Ah) DRC2 ctrl2	12:9	DRC2_ATK [3:0]	0100	DRC2 Gain attack rate (seconds/6dB) 0000 = Reserved 0001 = 181us 0010 = 363us 0011 = 726us 0100 = 1.45ms 0101 = 2.9ms 0110 = 5.8ms 0111 = 11.6ms 1000 = 23.2ms 1001 = 46.4ms 1010 = 92.8ms 1011 = 185.6ms 1100 to 1111 = Reserved
	8:5	DRC2_DCY [3:0]	1001	DRC2 Gain decay rate (seconds/6dB) 0000 = 1.45ms 0001 = 2.9ms 0010 = 5.8ms 0011 = 11.6ms 0100 = 23.25ms 0101 = 46.5ms 0110 = 93ms 0111 = 186ms 1000 = 372ms 1001 = 743ms 1010 = 1.49s 1011 = 2.97s 1100 to 1111 = Reserved
	4:2	DRC2_MINGAIN [2:0]	100	DRC2 Minimum gain to attenuate audio signals 000 = 0dB 001 = -12dB (default) 010 = -18dB 011 = -24dB 100 = -36dB 101 = Reserved 11X = Reserved

REGISTER ADDRESS	BIT	LABEL	DEFAULT	DESCRIPTION
	1:0	DRC2_MAXGAIN [1:0]	11	DRC2 Maximum gain to boost audio signals (dB) 00 = 12dB 01 = 18dB 10 = 24dB 11 = 36dB
R3723 (0E8Bh) DRC2 ctrl3	15:12	DRC2_NG_MIN GAIN [3:0]	0000	DRC2 Minimum gain to attenuate audio signals when the noise gate is active. 0000 = -36dB 0001 = -30dB 0010 = -24dB 0011 = -18dB 0100 = -12dB 0101 = -6dB 0110 = 0dB 0111 = 6dB 1000 = 12dB 1001 = 18dB 1010 = 24dB 1011 = 30dB 1100 = 36dB 1101 to 1111 = Reserved
	11:10	DRC2_NG_EXP [1:0]	00	DRC2 Noise Gate slope 00 = 1 (no expansion) 01 = 2 10 = 4 11 = 8
	9:8	DRC2_QR_THR [1:0]	00	DRC2 Quick-release threshold (crest factor in dB) 00 = 12dB 01 = 18dB 10 = 24dB 11 = 30dB
	7:6	DRC2_QR_DCY [1:0]	00	DRC2 Quick-release decay rate (seconds/6dB) 00 = 0.725ms 01 = 1.45ms 10 = 5.8ms 11 = Reserved
	5:3	DRC2_HI_COMP [2:0]	011	DRC2 Compressor slope (upper region) 000 = 1 (no compression) 001 = 1/2 010 = 1/4 011 = 1/8 100 = 1/16 101 = 0 110 = Reserved 111 = Reserved

REGISTER ADDRESS	BIT	LABEL	DEFAULT	DESCRIPTION
	2:0	DRC2_LO_COM P [2:0]	000	DRC2 Compressor slope (lower region) 000 = 1 (no compression) 001 = 1/2 010 = 1/4 011 = 1/8 100 = 0 101 = Reserved 11X = Reserved
R3724 (0E8Ch) DRC2 ctrl4	10:5	DRC2_KNEE_IP [5:0]	000000	DRC2 Input signal level at the Compressor 'Knee'. 000000 = 0dB 000001 = -0.75dB 000010 = -1.5dB ... (-0.75dB steps) 111100 = -45dB 111101 = Reserved 11111X = Reserved
	4:0	DRC2_KNEE_O P [4:0]	00000	DRC2 Output signal at the Compressor 'Knee'. 00000 = 0dB 00001 = -0.75dB 00010 = -1.5dB ... (-0.75dB steps) 11110 = -22.5dB 11111 = Reserved
R3725 (0E8Dh) DRC2 ctrl5	9:5	DRC2_KNEE2_I P [4:0]	00000	DRC2 Input signal level at the Noise Gate threshold 'Knee2'. 00000 = -36dB 00001 = -37.5dB 00010 = -39dB ... (-1.5dB steps) 11110 = -81dB 11111 = -82.5dB Only applicable when DRC2_NG_ENA = 1.
	4:0	DRC2_KNEE2_OP [4:0]	00000	DRC2 Output signal at the Noise Gate threshold 'Knee2'. 00000 = -30dB 00001 = -31.5dB 00010 = -33dB ... (-1.5dB steps) 11110 = -75dB 11111 = -76.5dB Only applicable when DRC2_KNEE2_OP_ENA = 1.

**Table 16 DRC2 Control Registers**



The WM8281 performs automatic checks to confirm that the SYSCLK frequency is high enough to support the commanded DRC and digital mixing functions. If an attempt is made to enable a DRC signal path, and there are insufficient SYSCLK cycles to support it, then the attempt will be unsuccessful. (Note that any signal paths that are already active will not be affected under these circumstances.)

The Underclocked Error can be monitored using the GPIO and/or Interrupt functions. See “General Purpose Input / Output” and “Interrupts” for further details.

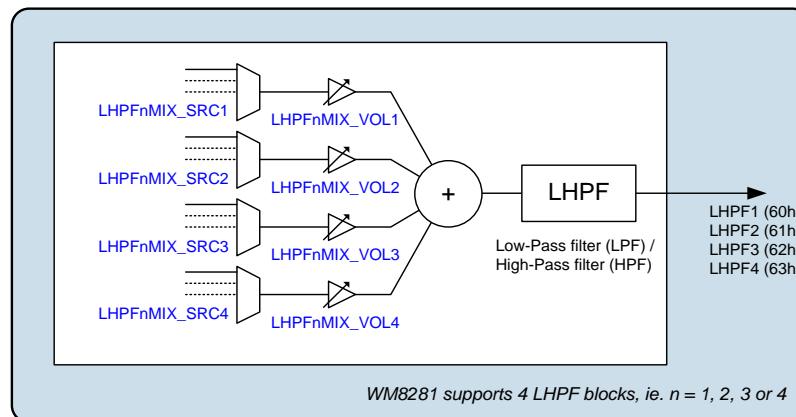
The FX\_STS field in Register R3585 indicates the status of each of the EQ, DRC and LHPF signal paths. If an Underclocked Error condition occurs, then this register provides readback of which EQ, DRC or LHPF signal path(s) have been successfully enabled.

The status bits in Registers R1600 to R3000 indicate the status of each of the digital mixers. If an Underclocked Error condition occurs, then these bits provide readback of which mixer(s) have been successfully enabled.

### LOW PASS / HIGH PASS DIGITAL FILTER (LHPF)

The digital core provides four Low Pass Filter (LPF) / High Pass Filter (HPF) processing blocks as illustrated in Figure 32. A 4-input mixer is associated with each filter. The 4 input sources are selectable in each case, and independent volume control is provided for each path. Each Low/High Pass Filter (LHPF) block supports 1 output.

The Low Pass Filter / High Pass Filter can be used to remove unwanted out-of-band noise from a signal path. Each filter can be configured either as a Low Pass filter or High Pass filter.



**Figure 32 Digital Core LPF/HPF Blocks**

The LHPF1, LHPF2, LHPF3 and LHPF4 mixer control registers (see Figure 32) are located at register addresses R2304 (900h) through to R2335 (91Fh).

The full list of digital mixer control registers is provided in the “Register Map” section (Register R1600 through to R3000). Generic register definitions are provided in Table 8.

The \*\_SRCn registers select the input source(s) for the respective LHPF processing blocks. Note that the selected input source(s) must be configured for the same sample rate as the LHPF to which they are connected. Sample rate conversion functions are available to support flexible interconnectivity - see “Asynchronous Sample Rate Converter (ASRC)” and “Isochronous Sample Rate Converter (ISRC)”.

The bracketed numbers in Figure 32, eg. “(60h)” indicate the corresponding \*\_SRCn register setting for selection of that signal as an input to another digital core function.

The sample rate for the LHPF function is configured using the FX\_RATE register - see Table 23. Note that the EQ, DRC and LHPF functions must all be configured for the same sample rate.

The LHPF function supports audio sample rates in the range 8kHz to 192kHz. When the DRC is enabled, the maximum sample rate for the EQ, DRC and LHPF functions is 96kHz.

Sample rate conversion is required when routing the LHPF signal paths to any signal chain that is asynchronous and/or configured for a different sample rate.

The control registers associated with the LHPF functions are described in Table 17.

The cut-off frequencies for the LHPF blocks are set using the coefficients held in registers R3777, R3781, R3785 and R3789 for LHPF1, LHPF2, LHPF3 and LHPF4 respectively. These coefficients are derived using tools provided in Cirrus Logic's WISCE™ evaluation board control software; please contact your local Cirrus Logic representative for more details.

REGISTER ADDRESS	BIT	LABEL	DEFAULT	DESCRIPTION
R3585 (0E01h) FX_Ctrl2	15:4	FX_STS [11:0]	00h	LHPF, DRC, EQ Enable Status Indicates the status of each of the respective signal processing functions. [11] = EQ4 [10] = EQ3 [9] = EQ2 [8] = EQ1 [7] = DRC2 (Right) [6] = DRC2 (Left) [5] = DRC1 (Right) [4] = DRC1 (Left) [3] = LHPF4 [2] = LHPF3 [1] = LHPF2 [0] = LHPF1  Each bit is coded as: 0 = Disabled 1 = Enabled
R3776 (0EC0h) HPLPF1_1	1	LHPF1_MODE	0	Low/High Pass Filter 1 Mode 0 = Low-Pass 1 = High-Pass
	0	LHPF1_ENA	0	Low/High Pass Filter 1 Enable 0 = Disabled 1 = Enabled
R3777 (0EC1h) HPLPF1_2	15:0	LHPF1_COEFF [15:0]	0000h	Low/High Pass Filter 1 Frequency Coefficient Refer to WISCE evaluation board control software for the derivation of this field value.
R3780 (0EC4h) HPLPF2_1	1	LHPF2_MODE	0	Low/High Pass Filter 2 Mode 0 = Low-Pass 1 = High-Pass
	0	LHPF2_ENA	0	Low/High Pass Filter 2 Enable 0 = Disabled 1 = Enabled
R3781 (0EC5h) HPLPF2_2	15:0	LHPF2_COEFF [15:0]	0000h	Low/High Pass Filter 2 Frequency Coefficient Refer to WISCE evaluation board control software for the derivation of this field value.
R3784 (0EC8h) HPLPF3_1	1	LHPF3_MODE	0	Low/High Pass Filter 3 Mode 0 = Low-Pass 1 = High-Pass
	0	LHPF3_ENA	0	Low/High Pass Filter 3 Enable 0 = Disabled 1 = Enabled
R3785 (0EC9h) HPLPF3_2	15:0	LHPF3_COEFF [15:0]	0000h	Low/High Pass Filter 3 Frequency Coefficient Refer to WISCE evaluation board control software for the derivation of this field value.

REGISTER ADDRESS	BIT	LABEL	DEFAULT	DESCRIPTION
R3788 (0ECCh) HPLPF4_ 1	1	LHPF4_MODE	0	Low/High Pass Filter 4 Mode 0 = Low-Pass 1 = High-Pass
	0	LHPF4_ENA	0	Low/High Pass Filter 4 Enable 0 = Disabled 1 = Enabled
R3789 (0ECDh) HPLPF4_ 2	15:0	LHPF4_COEFF [15:0]	0000h	Low/High Pass Filter 4 Frequency Coefficient Refer to WISCE evaluation board control software for the derivation of this field value.

**Table 17 Low Pass Filter / High Pass Filter Control**

The WM8281 performs automatic checks to confirm that the SYSCLK frequency is high enough to support the commanded LHPF and digital mixing functions. If an attempt is made to enable an LHPF signal path, and there are insufficient SYSCLK cycles to support it, then the attempt will be unsuccessful. (Note that any signal paths that are already active will not be affected under these circumstances.)

The Underclocked Error can be monitored using the GPIO and/or Interrupt functions. See “General Purpose Input / Output” and “Interrupts” for further details.

The FX\_STS field in Register R3585 indicates the status of each of the EQ, DRC and LHPF signal paths. If an Underclocked Error condition occurs, then this register provides readback of which EQ, DRC or LHPF signal path(s) have been successfully enabled.

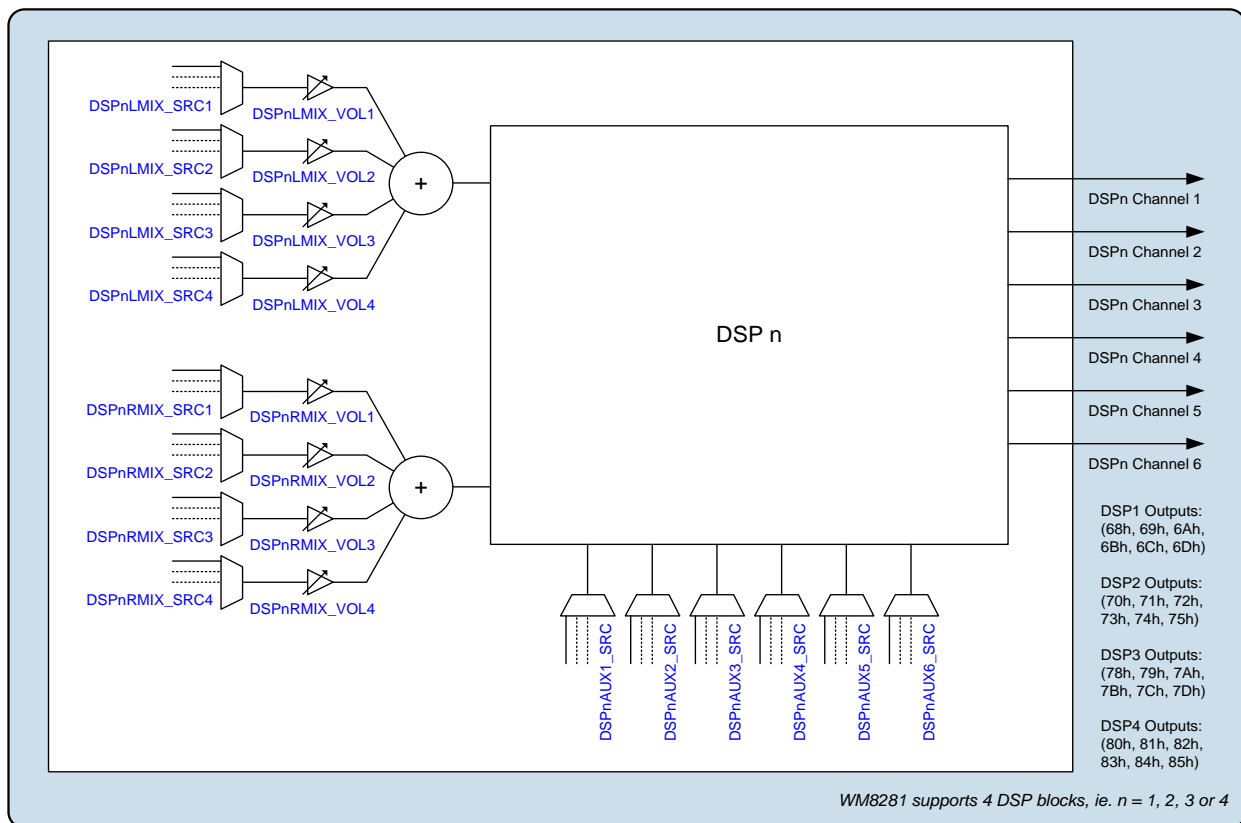
The status bits in Registers R1600 to R3000 indicate the status of each of the digital mixers. If an Underclocked Error condition occurs, then these bits provide readback of which mixer(s) have been successfully enabled.

## DIGITAL CORE DSP

The digital core provides four programmable DSP processing blocks as illustrated in Figure 33. Each block supports 8 inputs (Left, Right, Aux1, Aux2, ... Aux6). A 4-input mixer is associated with the Left and Right inputs, providing further expansion of the number of input paths. Each of the input sources is selectable, and independent volume control is provided for Left and Right input mixer channels. Each DSP block supports 6 outputs.

The functionality of the DSP processing blocks is not fixed, and a wide range of audio enhancements algorithms may be performed. The procedure for configuring the WM8281 DSP functions is tailored to each customer's application; please contact your local Cirrus Logic representative for more details.

For details of the DSP Firmware requirements relating to clocking, register access, and code execution, refer to the "DSP Firmware Control" section.



**Figure 33 Digital Core DSP Blocks**

The DSP1, DSP2, DSP 3 and DSP4 mixer / input control registers (see Figure 33) are located at register addresses R2368 (940h) through to R2616 (A38h).

The full list of digital mixer control registers is provided in the "Register Map" section (Register R1600 through to R3000). Generic register definitions are provided in Table 8.

The \*\_SRCn registers select the input source(s) for the respective DSP processing blocks. Note that the selected input source(s) must be configured for the same sample rate as the DSP to which they are connected. Sample rate conversion functions are available to support flexible interconnectivity - see "Asynchronous Sample Rate Converter (ASRC)" and "Isochronous Sample Rate Converter (ISRC)".

The bracketed numbers in Figure 33, eg. "(68h)" indicate the corresponding \*\_SRCn register setting for selection of that signal as an input to another digital core function.

The sample rate for each of the DSP functions is configured using the respective DSPn\_RATE registers - see Table 23. Sample rate conversion is required when routing the DSPn signal paths to any signal chain that is asynchronous and/or configured for a different sample rate.

The WM8281 performs automatic checks to confirm that the SYSCLK frequency is high enough to support the commanded DSP mixing functions. If an attempt is made to enable a DSP mixer path, and

there are insufficient SYSCLK cycles to support it, then the attempt will be unsuccessful. (Note that any signal paths that are already active will not be affected under these circumstances.)

The Underclocked Error condition can be monitored using the GPIO and/or Interrupt functions. See “General Purpose Input / Output” and “Interrupts” for further details.

The status bits in Registers R1600 to R3000 indicate the status of each of the digital mixers. If an Underclocked Error condition occurs, then these bits provide readback of which mixer(s) have been successfully enabled.

The WM8281 supports up to eight DSP Status flags as outputs from the DSP blocks. These are configurable within the DSP to provide external indication of the required function(s). The DSP Status flags can be read using the DSP\_IRQn\_STS registers described in Table 98 (see “Interrupts”).

The DSP Status flags are inputs to the Interrupt control circuit and can be used to trigger an interrupt event - see “Interrupts”.

The DSP Status flags can be output directly on a GPIO pin as an external indication of the DSP Status. See “General Purpose Input / Output” to configure a GPIO pin for this function.

The DSP\_IRQn\_STS fields are read-only bits. These bits can be set (or reset) by writing to the DSP\_IRQn fields, as described in Table 18. This facility can be used to allow a DSP core to generate an interrupt to the host processor. The DSP interrupt registers are asserted on the rising and falling edges of the respective DSP\_IRQn fields.

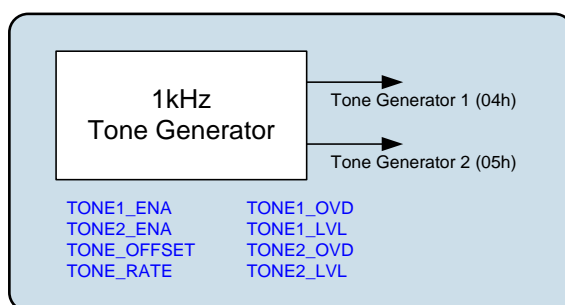
REGISTER ADDRESS	BIT	LABEL	DEFAULT	DESCRIPTION
R3393 (0D41h) ADSP2 IRQ0	1	DSP_IRQ2	0	DSP IRQ2 0 = Not asserted 1 = Asserted This bit can be set/reset by a DSP core in order to generate a DSP_IRQ2_EINTn interrupt to the host processor.
	0	DSP_IRQ1	0	DSP IRQ1 0 = Not asserted 1 = Asserted This bit can be set/reset by a DSP core in order to generate a DSP_IRQ1_EINTn interrupt to the host processor.
R3394 (0D42h) ADSP2 IRQ1	1	DSP_IRQ4	0	DSP IRQ4 0 = Not asserted 1 = Asserted This bit can be set/reset by a DSP core in order to generate a DSP_IRQ4_EINTn interrupt to the host processor.
	0	DSP_IRQ3	0	DSP IRQ3 0 = Not asserted 1 = Asserted This bit can be set/reset by a DSP core in order to generate a DSP_IRQ3_EINTn interrupt to the host processor.
R3395 (0D43h) ADSP2 IRQ2	1	DSP_IRQ6	0	DSP IRQ6 0 = Not asserted 1 = Asserted This bit can be set/reset by a DSP core in order to generate a DSP_IRQ6_EINTn interrupt to the host processor.
	0	DSP_IRQ5	0	DSP IRQ5 0 = Not asserted 1 = Asserted This bit can be set/reset by a DSP core in order to generate a DSP_IRQ5_EINTn interrupt to the host processor.

REGISTER ADDRESS	BIT	LABEL	DEFAULT	DESCRIPTION
R3396 (0D44h) ADSP2 IRQ3	1	DSP_IRQ8	0	DSP IRQ8 0 = Not asserted 1 = Asserted This bit can be set/reset by a DSP core in order to generate a DSP_IRQ8_EINTn interrupt to the host processor.
	0	DSP_IRQ7	0	DSP IRQ7 0 = Not asserted 1 = Asserted This bit can be set/reset by a DSP core in order to generate a DSP_IRQ7_EINTn interrupt to the host processor.

**Table 18 DSP Interrupts**

### TONE GENERATOR

The WM8281 incorporates two 1kHz tone generators which can be used for ‘beep’ functions through any of the audio signal paths. The phase relationship between the two generators is configurable, providing flexibility in creating differential signals, or for test scenarios.


**Figure 34 Digital Core Tone Generator**

The tone generators can be selected as input to any of the digital mixers or signal processing functions within the WM8281 digital core. The bracketed numbers in Figure 34, eg. “(04h)” indicate the corresponding \*\_SRCn register setting for selection of that signal as an input to another digital core function.

The sample rate for the tone generators is configured using the TONE\_RATE register - see Table 23. Note that sample rate conversion is required when routing the tone generator output(s) to any signal chain that is asynchronous and/or configured for a different sample rate.

The tone generators are enabled using the TONE1\_ENA and TONE2\_ENA register bits as described in Table 19. The phase relationship is configured using TONE\_OFFSET.

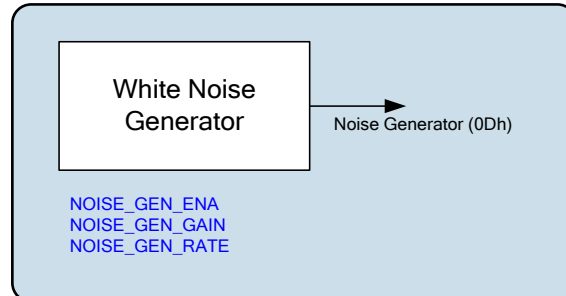
The tone generators can also provide a configurable DC signal level, for use as a test signal. The DC output is selected using the TONEn\_OVD register bits, and the DC signal amplitude is configured using the TONEn\_LVL registers, as described in Table 19.

REGISTER ADDRESS	BIT	LABEL	DEFAULT	DESCRIPTION
R32 (0020h) Tone Generator 1	9:8	TONE_OFFSET [1:0]	00	Tone Generator Phase Offset Sets the phase of Tone Generator 2 relative to Tone Generator 1 00 = 0 degrees (in phase) 01 = 90 degrees ahead 10 = 180 degrees ahead 11 = 270 degrees ahead
	5	TONE2_OVD	0	Tone Generator 2 Override 0 = Disabled (1kHz tone output) 1 = Enabled (DC signal output) The DC signal level, when selected, is configured using TONE2_LVL[23:0]
	4	TONE1_OVD	0	Tone Generator 1 Override 0 = Disabled (1kHz tone output) 1 = Enabled (DC signal output) The DC signal level, when selected, is configured using TONE1_LVL[23:0]
	1	TONE2_ENA	0	Tone Generator 2 Enable 0 = Disabled 1 = Enabled
	0	TONE1_ENA	0	Tone Generator 1 Enable 0 = Disabled 1 = Enabled
R33 (0021h) Tone Generator 2	15:0	TONE1_LVL [23:8]	1000h	Tone Generator 1 DC output level TONE1_LVL [23:8] is coded as 2's complement. Bits [23:20] contain the integer portion; bits [19:0] contain the fractional portion. The digital core 0dBFS level corresponds to 1000_00h (+1) or F000_00h (-1).
R34 (0022h) Tone Generator 3	7:0	TONE1_LVL [7:0]	00h	Tone Generator 1 DC output level TONE1_LVL [23:8] is coded as 2's complement. Bits [23:20] contain the integer portion; bits [19:0] contain the fractional portion. The digital core 0dBFS level corresponds to 1000_00h (+1) or F000_00h (-1).
R35 (0023h) Tone Generator 4	15:0	TONE2_LVL [23:8]	1000h	Tone Generator 2 DC output level TONE2_LVL [23:8] is coded as 2's complement. Bits [23:20] contain the integer portion; bits [19:0] contain the fractional portion. The digital core 0dBFS level corresponds to 1000_00h (+1) or F000_00h (-1).
R36 (0024h) Tone Generator 5	7:0	TONE2_LVL [7:0]	00h	Tone Generator 2 DC output level TONE2_LVL [23:8] is coded as 2's complement. Bits [23:20] contain the integer portion; bits [19:0] contain the fractional portion. The digital core 0dBFS level corresponds to 1000_00h (+1) or F000_00h (-1).

**Table 19 Tone Generator Control**

### NOISE GENERATOR

The WM8281 incorporates a white noise generator, which can be routed within the digital core. The main purpose of the noise generator is to provide 'comfort noise' in cases where silence (digital mute) is not desirable.



**Figure 35 Digital Core Noise Generator**

The noise generator can be selected as input to any of the digital mixers or signal processing functions within the WM8281 digital core. The bracketed number (0Dh) in Figure 35 indicates the corresponding \*\_SRCn register setting for selection of the noise generator as an input to another digital core function.

The sample rate for the noise generator is configured using the NOISE\_GEN\_RATE register - see Table 23. Note that sample rate conversion is required when routing the noise generator output to any signal chain that is asynchronous and/or configured for a different sample rate.

The noise generator is enabled using the NOISE\_GEN\_ENA register bit as described in Table 20. The signal level is configured using NOISE\_GEN\_GAIN.

REGISTER ADDRESS	BIT	LABEL	DEFAULT	DESCRIPTION
R112 (0070h) Comfort Noise Generator	5	NOISE_GEN_EN A	0	Noise Generator Enable 0 = Disabled 1 = Enabled
	4:0	NOISE_GEN_GA IN [4:0]	00h	Noise Generator Signal Level 00h = -114dBFS 01h = -108dBFS 02h = -102dBFS ...(6dB steps) 11h = -6dBFS 12h = 0dBFS All other codes are Reserved

**Table 20 Noise Generator Control**

### HAPTIC SIGNAL GENERATOR

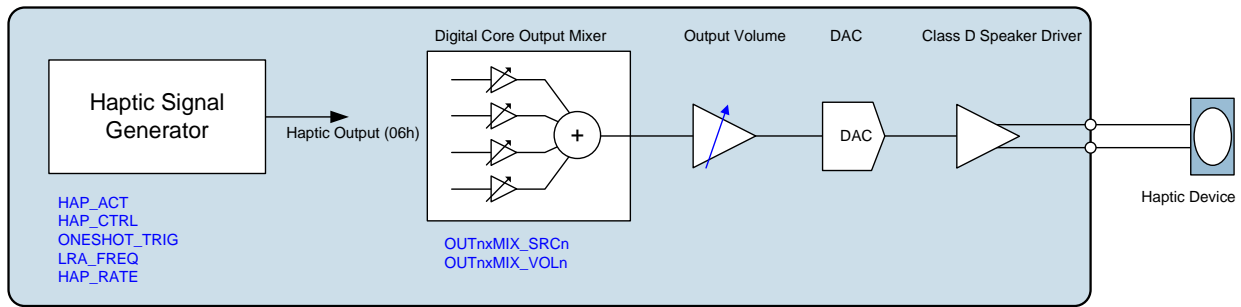
The WM8281 incorporates a signal generator for use with haptic devices (eg. mechanical vibration actuators). The haptic signal generator is compatible with both Eccentric Rotating Mass (ERM) and Linear Resonant Actuator (LRA) haptic devices.

The haptic signal generator is highly configurable, and includes the capability to execute a programmable event profile comprising three distinct operating phases.

The resonant frequency of the haptic signal output (for LRA devices) is selectable, providing support for many different actuator components.

The haptic signal generator is a digital signal generator which is incorporated within the digital core of the WM8281. The haptic signal may be routed, via one of the digital core output mixers, to a Class D speaker output for connection to the external haptic device, as illustrated in Figure 36. (Note that the digital PDM output paths may also be used for haptic signal output.)





**Figure 36 Digital Core Haptic Signal Generator**

The bracketed number (06h) in Figure 36 indicates the corresponding \*\_SRCn register setting for selection of the haptic signal generator as an input to another digital core function.

The haptic signal generator is selected as input to one of the digital core output mixers by setting the \*\_SRCn register of the applicable output mixer to (06h).

The sample rate for the haptic signal generator is configured using the HAP\_RATE register - see Table 23. Note that sample rate conversion is required when routing the haptic signal generator output to any signal chain that is asynchronous and/or configured for a different sample rate.

The haptic signal generator is configured for an ERM or LRA actuator using the HAP\_ACT register bit. The required resonant frequency is configured using the LRA\_FREQ field. (Note that the resonant frequency is only applicable to LRA actuators.)

The signal generator can be enabled in Continuous mode or configured for One-Shot mode using the HAP\_CTRL register, as described in Table 21. In One-Shot mode, the output is triggered by writing to the ONESHOT\_TRIG bit.

In One-Shot mode, the signal generator profile comprises the distinct phases (1, 2, 3). The duration and intensity of each output phase is programmable.

In Continuous mode, the signal intensity is controlled using the PHASE2\_INTENSITY field only.

In the case of an ERM actuator (HAP\_ACT = 0), the haptic output is a DC signal level, which may be positive or negative, as selected by the \*\_INTENSITY registers.

For an LRA actuator (HAP\_ACT = 1), the haptic output is an AC signal; selecting a negative signal level corresponds to a 180 degree phase inversion. In some applications, phase inversion may be desirable during the final phase, to halt the physical motion of the haptic device.

REGISTER ADDRESS	BIT	LABEL	DEFAULT	DESCRIPTION
R144 (0090h) Haptics Control 1	4	ONESHOT_TRIG	0	Haptic One-Shot Trigger Writing '1' starts the one-shot profile (ie. Phase 1, Phase 2, Phase 3)
	3:2	HAP_CTRL [1:0]	00	Haptic Signal Generator Control 00 = Disabled 01 = Continuous 10 = One-Shot 11 = Reserved
	1	HAP_ACT	0	Haptic Actuator Select 0 = Eccentric Rotating Mass (ERM) 1 = Linear Resonant Actuator (LRA)

REGISTER ADDRESS	BIT	LABEL	DEFAULT	DESCRIPTION
R145 (0091h) Haptics Control 2	14:0	LRA_FREQ [14:0]	7FFFh	<p>Haptic Resonant Frequency Selects the haptic signal frequency (LRA actuator only, HAP_ACT = 1)</p> <p>Haptic Frequency (Hz) = System Clock / (2 x (LRA_FREQ+1))</p> <p>where System Clock = 6.144MHz or 5.6448MHz, derived by division from SYSCLK or ASYNCCLK.</p> <p>If HAP_RATE &lt; 1000, then SYSCLK is the clock source, and the applicable System Clock frequency is determined by SYSCLK.</p> <p>If HAP_RATE &gt;= 1000, then ASYNCCLK is the clock source, and the applicable System Clock frequency is determined by ASYNCCLK.</p> <p>Valid for Haptic Frequency in the range 100Hz to 250Hz</p> <p>For 6.144MHz System Clock: 77FFh = 100Hz 4491h = 175Hz 2FFFh = 250Hz</p> <p>For 5.6448MHz System Clock: 6E3Fh = 100Hz 3EFFh = 175Hz 2C18h = 250Hz</p>
R146 (0092h) Haptics phase 1 intensity	7:0	PHASE1_INTEN SITY [7:0]	00h	<p>Haptic Output Level (Phase 1) Selects the signal intensity of Phase 1 in one-shot mode. Coded as 2's complement. Range is +/- Full Scale (FS). For ERM actuator, this selects the DC signal level for the haptic output. For LRA actuator, this selects the AC peak amplitude; Negative values correspond to a 180 degree phase shift.</p>
R147 (0093h) Haptics Control phase 1 duration	8:0	PHASE1_DURAT ION [8:0]	000h	<p>Haptic Output Duration (Phase 1) Selects the duration of Phase 1 in one-shot mode. 000h = 0ms 001h = 0.625ms 002h = 1.25ms ... (0.625ms steps) 1FFh = 319.375ms</p>

REGISTER ADDRESS	BIT	LABEL	DEFAULT	DESCRIPTION
R148 (0094h) Haptics phase 2 intensity	7:0	PHASE2_INTENSITY [7:0]	00h	Haptic Output Level (Phase 2) Selects the signal intensity in Continuous mode or Phase 2 of one-shot mode. Coded as 2's complement. Range is +/- Full Scale (FS). For ERM actuator, this selects the DC signal level for the haptic output. For LRA actuator, this selects the AC peak amplitude; Negative values correspond to a 180 degree phase shift.
R149 (0095h) Haptics phase 2 duration	10:0	PHASE2_DURATION [10:0]	000h	Haptic Output Duration (Phase 2) Selects the duration of Phase 2 in one-shot mode. 000h = 0ms 001h = 0.625ms 002h = 1.25ms ... (0.625ms steps) 7FFh = 1279.375ms
R150 (0096h) Haptics phase 3 intensity	7:0	PHASE3_INTENSITY [7:0]	00h	Haptic Output Level (Phase 3) Selects the signal intensity of Phase 3 in one-shot mode. Coded as 2's complement. Range is +/- Full Scale (FS). For ERM actuator, this selects the DC signal level for the haptic output. For LRA actuator, this selects the AC peak amplitude; Negative values correspond to a 180 degree phase shift.
R151 (0097h) Haptics phase 3 duration	8:0	PHASE3_DURATION [8:0]	000h	Haptic Output Duration (Phase 3) Selects the duration of Phase 3 in one-shot mode. 000h = 0ms 001h = 0.625ms 002h = 1.25ms ... (0.625ms steps) 1FFh = 319.375ms
R152 (0098h) Haptics Status	0	ONESHOT_STS	0	Haptic One-Shot status 0 = One-Shot event not in progress 1 = One-Shot event in progress

**Table 21 Haptic Signal Generator Control**

## PWM GENERATOR

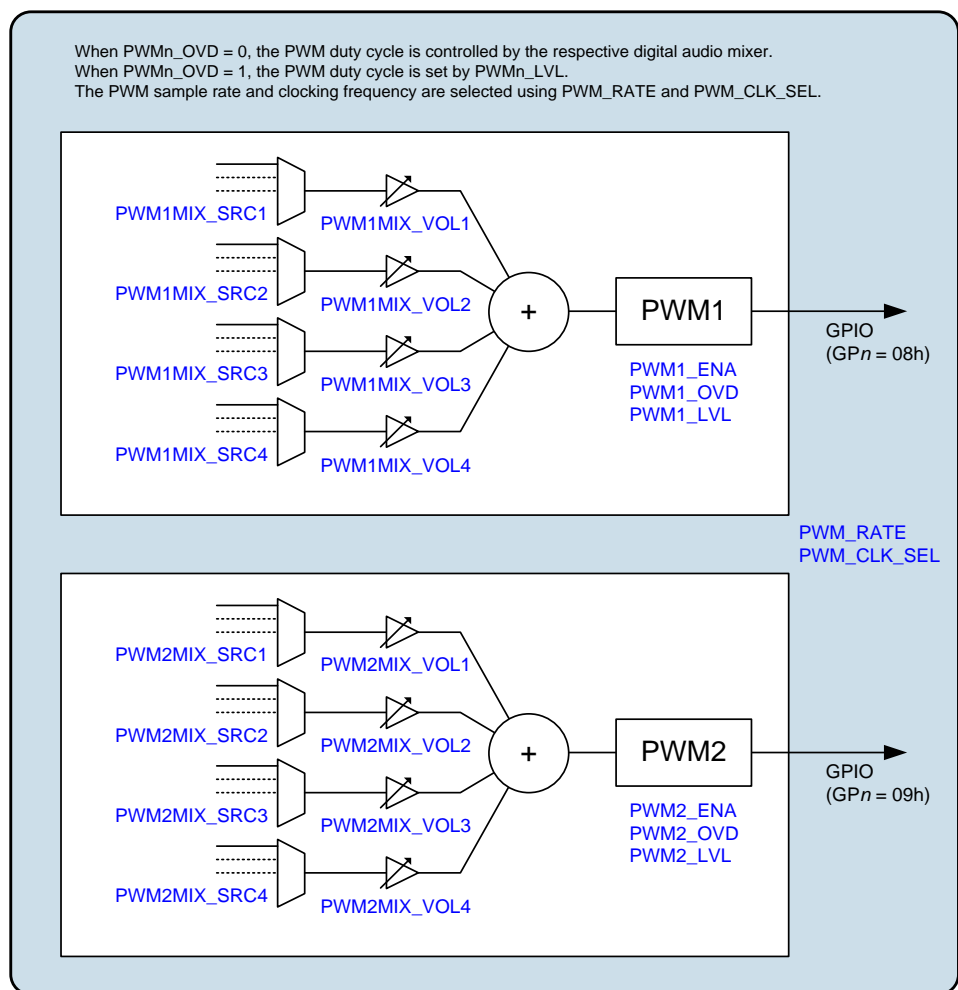
The WM8281 incorporates two Pulse Width Modulation (PWM) signal generators as illustrated in Figure 37. The duty cycle of each PWM signal can be modulated by an audio source, or can be set to a fixed value using a control register setting.

A 4-input mixer is associated with each PWM generator. The 4 input sources are selectable in each case, and independent volume control is provided for each path.

The PWM signal generators can be output directly on a GPIO pin. See “General Purpose Input / Output” to configure a GPIO pin for this function.

Note that the PWM output should always be disabled whenever the system clock, SYSCLK, is disabled. Failure to do this may result in a persistent logic ‘1’ DC output from the PWM generator. See “Clocking and Sample Rates” for details of system clocking and the associated control requirements.

Note that the PWM signal generators cannot be selected as input to the digital mixers or signal processing functions within the WM8281 digital core.



**Figure 37 Digital Core Pulse Width Modulation (PWM) Generator**

The PWM1 and PWM2 mixer control registers (see Figure 37) are located at register addresses R1600 (640h) through to R1615 (64Fh).

The full list of digital mixer control registers is provided in the “Register Map” section (Register R1600 through to R3000). Generic register definitions are provided in Table 8.

The \*\_SRC<sub>n</sub> registers select the input source(s) for the respective mixers. Note that the selected input source(s) must be configured for the same sample rate as the mixer to which they are connected. Sample rate conversion functions are available to support flexible interconnectivity - see “Asynchronous Sample Rate Converter (ASRC)” and “Isochronous Sample Rate Converter (ISRC)”.

The PWM sample rate (cycle time) is configured using the PWM\_RATE register - see Table 23. Note that sample rate conversion is required when linking the PWM generators to any signal chain that is asynchronous and/or configured for a different sample rate.

The PWM generators are enabled using PWM1\_ENA and PWM2\_ENA respectively, as described in Table 22.

Under default conditions (PWM<sub>n</sub>\_OVD = 0), the duty cycle of the PWM generators is controlled by an audio signal path; a 4-input mixer is associated with each PWM generator, as illustrated in Figure 37.

When the PWM<sub>n</sub>\_OVD bit is set, the duty cycle of the respective PWM generator is set to a fixed ratio; in this case, the duty cycle ratio is configurable using the PWM<sub>n</sub>\_LVL registers.

The PWM generator clock frequency is selected using PWM\_CLK\_SEL. For best performance, this register should be set to the highest available setting. Note that the PWM generator clock must not be set to a higher frequency than SYSCLK (if PWM\_RATE < 1000) or ASYNCLK (if PWM\_RATE ≥ 1000).

REGISTER ADDRESS	BIT	LABEL	DEFAULT	DESCRIPTION
R48 (0030h) PWM Drive 1	10:8	PWM_CLK_SEL [2:0]	000	PWM Clock Select 000 = 6.144MHz (5.6448MHz) 001 = 12.288MHz (11.2896MHz) 010 = 24.576MHz (22.5792MHz) All other codes are Reserved The frequencies in brackets apply for 44.1kHz-related sample rates only. PWM_CLK_SEL controls the resolution of the PWM generator; higher settings correspond to higher resolution. The PWM Clock must be less than or equal to SYSCLK (if PWM_RATE < 1000) or less than or equal to ASYNCLK (if PWM_RATE ≥ 1000).
	5	PWM2_OVD	0	PWM2 Generator Override 0 = Disabled (PWM duty cycle is controlled by audio source) 1 = Enabled (PWM duty cycle is controlled by PWM2_LVL).
	4	PWM1_OVD	0	PWM1 Generator Override 0 = Disabled (PWM1 duty cycle is controlled by audio source) 1 = Enabled (PWM1 duty cycle is controlled by PWM1_LVL).
	1	PWM2_ENA	0	PWM2 Generator Enable 0 = Disabled 1 = Enabled
	0	PWM1_ENA	0	PWM1 Generator Enable 0 = Disabled 1 = Enabled
R49 (0031h) PWM Drive 2	9:0	PWM1_LVL [9:0]	100h	PWM1 Override Level Sets the PWM1 duty cycle when PWM1_OVD=1. Coded as 2's complement. 000h = 50% duty cycle 200h = 0% duty cycle
R50 (0032h) PWM Drive 3	9:0	PWM2_LVL [9:0]	100h	PWM2 Override Level Sets the PWM2 duty cycle when PWM2_OVD=1. Coded as 2's complement. 000h = 50% duty cycle 200h = 0% duty cycle

**Table 22 Pulse Width Modulation (PWM) Generator Control**

The WM8281 performs automatic checks to confirm that the SYSCLK frequency is high enough to support the digital mixer paths. If an attempt is made to enable a PWM signal mixer path, and there are insufficient SYSCLK cycles to support it, then the attempt will be unsuccessful. (Note that any signal paths that are already active will not be affected under these circumstances.)

The Underclocked Error condition can be monitored using the GPIO and/or Interrupt functions. See “General Purpose Input / Output” and “Interrupts” for further details.

The status bits in Registers R1600 to R3000 indicate the status of each of the digital mixers. If an Underclocked Error condition occurs, then these bits provide readback of which mixer(s) have been successfully enabled.

### SAMPLE RATE CONTROL

The WM8281 supports multiple signal paths through the digital core. Stereo full-duplex sample rate conversion is provided to allow digital audio to be routed between interfaces operating at different sample rates and/or referenced to asynchronous clock domains.

Two independent clock domains are supported, referenced to SYSCLK and ASYNCCLK respectively, as described in “Clocking and Sample Rates”. Every digital signal path must be synchronised either to SYSCLK or to ASYNCCLK.

Up to five different sample rates may be in use at any time on the WM8281. Three of these sample rates must be synchronised to SYSCLK; the remaining two, where required, must be synchronised to ASYNCCLK.

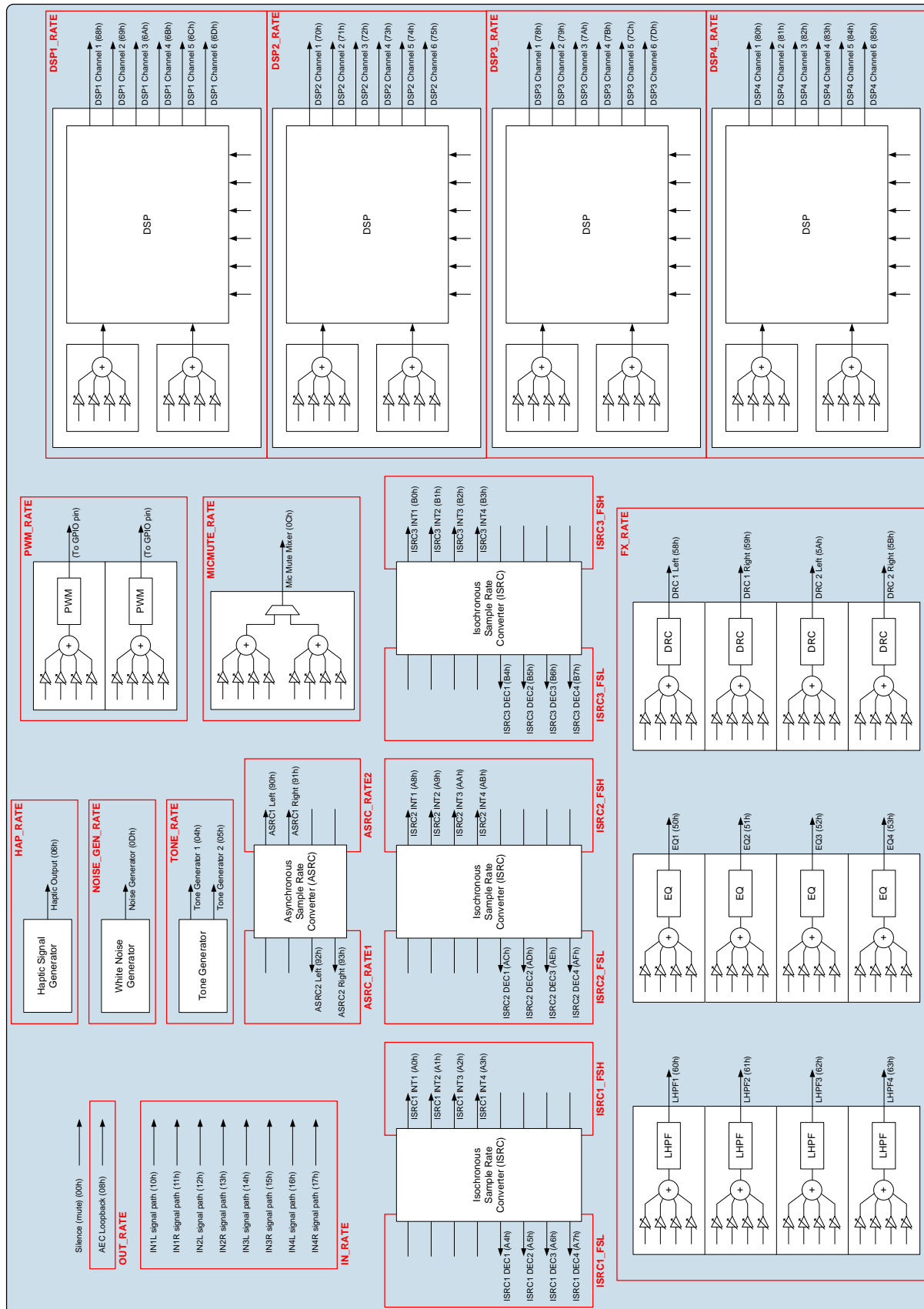
Sample rate conversion is required when routing any audio path between digital functions that are asynchronous and/or configured for different sample rates.

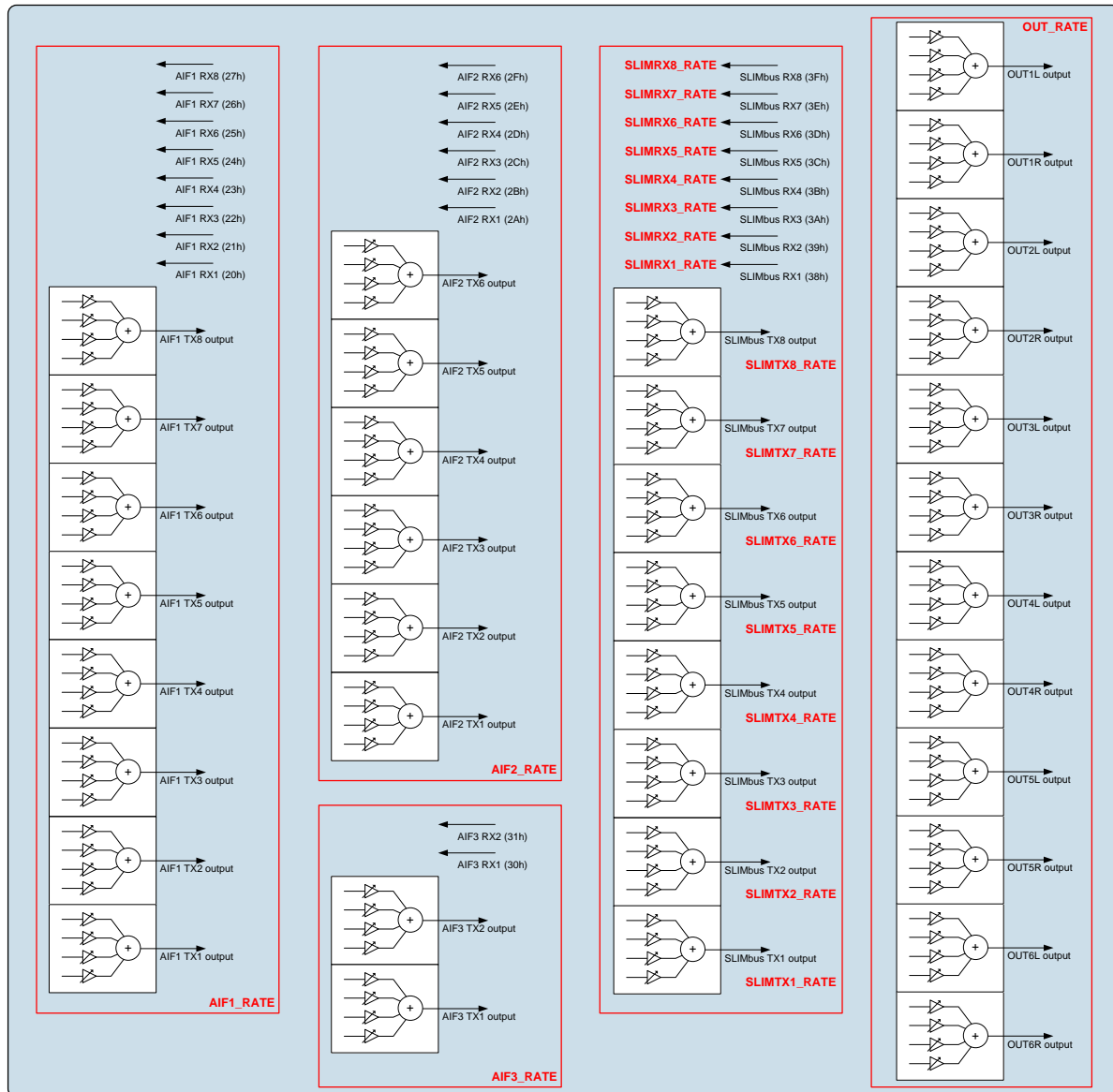
The Asynchronous Sample Rate Converter (ASRC) provides two stereo signal paths between the SYSCLK and ASYNCCLK domains. The ASRC is described later, and is illustrated in Figure 40.

There are three Isochronous Sample Rate Converters (ISRCs). These provide four signal paths each between sample rates on the SYSCLK domain, or between sample rates on the ASYNCCLK domain. The ISRCs are described later, and are illustrated in Figure 41.

The sample rate of different blocks within the WM8281 digital core are controlled as illustrated in Figure 38 and Figure 39 - the \*\_RATE registers select the applicable sample rate for each respective group of digital functions.

The \*\_RATE registers should not be changed if any of the \*\_SRCn registers associated with the respective functions is non-zero. The associated \*\_SRCn registers should be cleared to 00h before writing new values to the \*\_RATE registers. A minimum delay of 125µs should be allowed between clearing the \*\_SRCn registers and writing to the associated \*\_RATE registers. See Table 23 for further details.





**Figure 39 Digital Core Sample Rate Control (External Digital Interfaces)**

The input signal paths may be selected as input to the digital mixers or signal processing functions. The sample rate for the input signal paths is configured using the IN\_RATE register.

The output signal paths are derived from the respective output mixers. The sample rate for the output signal paths is configured using the OUT\_RATE register. The sample rate of the AEC Loopback path is also set by the OUT\_RATE register.

The AIFn RX inputs may be selected as input to the digital mixers or signal processing functions. The AIFn TX outputs are derived from the respective output mixers. The sample rates for digital audio interfaces (AIF1, AIF2 and AIF3) are configured using the AIF1\_RATE, AIF2\_RATE and AIF3\_RATE registers respectively.

The SLIMbus interface supports up to 8 input channels and 8 output channels. The sample rate of each channel can be configured independently, using the SLIMTXn\_RATE and SLIMRXn\_RATE registers.

Note that the SLIMbus interface provides simultaneous support for SYSCCLK-referenced and ASYNCCCLK-referenced sample rates on different channels. For example, 48kHz and 44.1kHz SLIMbus audio paths can be simultaneously supported.



The EQ, LHPF and DRC functions can be enabled in any signal path within the digital core. The sample rate for these functions is configured using the FX\_RATE register. Note that the EQ, DRC and LHPF functions must all be configured for the same sample rate.

The DSPn functions can be enabled in any signal path within the digital core. The applicable sample rates are configured using the DSP1\_RATE, DSP2\_RATE, DSP3\_RATE and DSP4\_RATE registers.

The tone generators and noise generator can be selected as input to any of the digital mixers or signal processing functions. The sample rates for these sources are configured using the TONE\_RATE and NOISE\_GEN\_RATE registers respectively.

The haptic signal generator can be used to control an external vibrate actuator, which can be driven directly by the Class D speaker output. The sample rate for the haptic signal generator is configured using the HAP\_RATE register.

The PWM signal generators can be modulated by an audio source, derived from the associated signal mixers. The sample rate (cycle time) for the PWM signal generators is configured using the PWM\_RATE register.

The sample rate control registers are described in Table 23. Refer to the register descriptions for details of the valid selections in each case. Note that the input (ADC) and output (DAC) signal paths must always be associated with the SYSCLK clocking domain; different sample rates may be selected concurrently, but both these rates must be synchronised to SYSCLK.

The control registers associated with the ASRC and ISRCs are described in Table 24 and Table 25 respectively within the following sections.

REGISTER ADDRESS	BIT	LABEL	DEFAULT	DESCRIPTION
R32 (0020h) Tone Generator 1	14:11	TONE_RATE [3:0]	0000	Tone Generator Sample Rate 0000 = SAMPLE_RATE_1 0001 = SAMPLE_RATE_2 0010 = SAMPLE_RATE_3 1000 = ASYNC_SAMPLE_RATE_1 1001 = ASYNC_SAMPLE_RATE_2 All other codes are Reserved. The selected sample rate is valid in the range 8kHz to 192kHz.
R48 (0030h) PWM Drive 1	14:11	PWM_RATE [3:0]	0000	PWM Frequency (sample rate) 0000 = SAMPLE_RATE_1 0001 = SAMPLE_RATE_2 0010 = SAMPLE_RATE_3 1000 = ASYNC_SAMPLE_RATE_1 1001 = ASYNC_SAMPLE_RATE_2 All other codes are Reserved. The selected sample rate is valid in the range 4kHz to 192kHz. All PWMnMIX_SRCm registers should be set to 00h before changing PWM_RATE.
R112 (0070h) Comfort Noise Generator	14:11	NOISE_GEN_RA TE [3:0]	0000	Noise Generator Sample Rate 0000 = SAMPLE_RATE_1 0001 = SAMPLE_RATE_2 0010 = SAMPLE_RATE_3 1000 = ASYNC_SAMPLE_RATE_1 1001 = ASYNC_SAMPLE_RATE_2 All other codes are Reserved. The selected sample rate is valid in the range 4kHz to 192kHz.

REGISTER ADDRESS	BIT	LABEL	DEFAULT	DESCRIPTION
R144 (0090h) Haptics Control 1	14:11	HAP_RATE [3:0]	0000	Haptic Signal Generator Sample Rate 0000 = SAMPLE_RATE_1 0001 = SAMPLE_RATE_2 0010 = SAMPLE_RATE_3 1000 = ASYNC_SAMPLE_RATE_1 1001 = ASYNC_SAMPLE_RATE_2 All other codes are Reserved. The selected sample rate is valid in the range 8kHz to 192kHz.
R707 (02C3h) Mic noise mix control 1	14:11	MICMUTE_RATE [3:0]	0000	Mic Mute Mixer Sample Rate 0000 = SAMPLE_RATE_1 0001 = SAMPLE_RATE_2 0010 = SAMPLE_RATE_3 1000 = ASYNC_SAMPLE_RATE_1 1001 = ASYNC_SAMPLE_RATE_2 All other codes are Reserved. The selected sample rate is valid in the range 8kHz to 192kHz.
R776 (0308h) Input Rate	14:11	IN_RATE [3:0]	0000	Input Signal Paths Sample Rate 0000 = SAMPLE_RATE_1 0001 = SAMPLE_RATE_2 0010 = SAMPLE_RATE_3 All other codes are Reserved. The selected sample rate is valid in the range 8kHz to 192kHz. If 768kHz DMIC clock rate is selected on any of the input paths (INn_OSR=11), then the Input Signal Paths sample rate is valid in the range 8kHz to 16kHz only.
R1032 (0408h) Output Rate 1	14:11	OUT_RATE [3:0]	0000	Output Signal Paths Sample Rate 0000 = SAMPLE_RATE_1 0001 = SAMPLE_RATE_2 0010 = SAMPLE_RATE_3 All other codes are Reserved. The selected sample rate is valid in the range 8kHz to 192kHz. All OUT <sub>n</sub> MIX_SRC <sub>m</sub> registers should be set to 00h before changing OUT_RATE.
R1283 (0503h) AIF1 Rate Ctrl	14:11	AIF1_RATE [3:0]	0000	AIF1 Audio Interface Sample Rate 0000 = SAMPLE_RATE_1 0001 = SAMPLE_RATE_2 0010 = SAMPLE_RATE_3 1000 = ASYNC_SAMPLE_RATE_1 1001 = ASYNC_SAMPLE_RATE_2 All other codes are Reserved. The selected sample rate is valid in the range 4kHz to 192kHz. All AIF1TXMIX_SRC <sub>n</sub> registers should be set to 00h before changing AIF1_RATE.

REGISTER ADDRESS	BIT	LABEL	DEFAULT	DESCRIPTION
R1347 (0543h) AIF2 Rate Ctrl	14:11	AIF2_RATE [3:0]	0000	AIF2 Audio Interface Sample Rate 0000 = SAMPLE_RATE_1 0001 = SAMPLE_RATE_2 0010 = SAMPLE_RATE_3 1000 = ASYNC_SAMPLE_RATE_1 1001 = ASYNC_SAMPLE_RATE_2 All other codes are Reserved. The selected sample rate is valid in the range 4kHz to 192kHz. All AIF2TXMIX_SRCn registers should be set to 00h before changing AIF2_RATE.
R1411 (0583h) AIF3 Rate Ctrl	14:11	AIF3_RATE [3:0]	0000	AIF3 Audio Interface Sample Rate 0000 = SAMPLE_RATE_1 0001 = SAMPLE_RATE_2 0010 = SAMPLE_RATE_3 1000 = ASYNC_SAMPLE_RATE_1 1001 = ASYNC_SAMPLE_RATE_2 All other codes are Reserved. The selected sample rate is valid in the range 4kHz to 192kHz. All AIF3TXMIX_SRCn registers should be set to 00h before changing AIF3_RATE.
R1509 (05E5h) SLIMbus Rates 1	14:11	SLIMRX2_RATE [3:0]	0000	SLIMbus RX Channel 2 Sample Rate 0000 = SAMPLE_RATE_1 0001 = SAMPLE_RATE_2 0010 = SAMPLE_RATE_3 1000 = ASYNC_SAMPLE_RATE_1 1001 = ASYNC_SAMPLE_RATE_2 All other codes are Reserved. The selected sample rate is valid in the range 4kHz to 192kHz.
	6:3	SLIMRX1_RATE [3:0]	0000	SLIMbus RX Channel 1 Sample Rate 0000 = SAMPLE_RATE_1 0001 = SAMPLE_RATE_2 0010 = SAMPLE_RATE_3 1000 = ASYNC_SAMPLE_RATE_1 1001 = ASYNC_SAMPLE_RATE_2 All other codes are Reserved. The selected sample rate is valid in the range 4kHz to 192kHz.
R1510 (05E6h) SLIMbus Rates 2	14:11	SLIMRX4_RATE [3:0]	0000	SLIMbus RX Channel 4 Sample Rate 0000 = SAMPLE_RATE_1 0001 = SAMPLE_RATE_2 0010 = SAMPLE_RATE_3 1000 = ASYNC_SAMPLE_RATE_1 1001 = ASYNC_SAMPLE_RATE_2 All other codes are Reserved. The selected sample rate is valid in the range 4kHz to 192kHz.
	6:3	SLIMRX3_RATE [3:0]	0000	SLIMbus RX Channel 3 Sample Rate 0000 = SAMPLE_RATE_1 0001 = SAMPLE_RATE_2 0010 = SAMPLE_RATE_3 1000 = ASYNC_SAMPLE_RATE_1 1001 = ASYNC_SAMPLE_RATE_2 All other codes are Reserved. The selected sample rate is valid in the range 4kHz to 192kHz.

REGISTER ADDRESS	BIT	LABEL	DEFAULT	DESCRIPTION
R1511 (05E7h) SLIMbus Rates 3	14:11	SLIMRX6_RATE [3:0]	0000	SLIMbus RX Channel 6 Sample Rate 0000 = SAMPLE_RATE_1 0001 = SAMPLE_RATE_2 0010 = SAMPLE_RATE_3 1000 = ASYNC_SAMPLE_RATE_1 1001 = ASYNC_SAMPLE_RATE_2 All other codes are Reserved. The selected sample rate is valid in the range 4kHz to 192kHz.
	6:3	SLIMRX5_RATE [3:0]	0000	SLIMbus RX Channel 5 Sample Rate 0000 = SAMPLE_RATE_1 0001 = SAMPLE_RATE_2 0010 = SAMPLE_RATE_3 1000 = ASYNC_SAMPLE_RATE_1 1001 = ASYNC_SAMPLE_RATE_2 All other codes are Reserved. The selected sample rate is valid in the range 4kHz to 192kHz.
R1512 (05E8h) SLIMbus Rates 4	14:11	SLIMRX8_RATE [3:0]	0000	SLIMbus RX Channel 8 Sample Rate 0000 = SAMPLE_RATE_1 0001 = SAMPLE_RATE_2 0010 = SAMPLE_RATE_3 1000 = ASYNC_SAMPLE_RATE_1 1001 = ASYNC_SAMPLE_RATE_2 All other codes are Reserved. The selected sample rate is valid in the range 4kHz to 192kHz.
	6:3	SLIMRX7_RATE [3:0]	0000	SLIMbus RX Channel 7 Sample Rate 0000 = SAMPLE_RATE_1 0001 = SAMPLE_RATE_2 0010 = SAMPLE_RATE_3 1000 = ASYNC_SAMPLE_RATE_1 1001 = ASYNC_SAMPLE_RATE_2 All other codes are Reserved. The selected sample rate is valid in the range 4kHz to 192kHz.
R1513 (05E9h) SLIMbus Rates 5	14:11	SLIMTX2_RATE [3:0]	0000	SLIMbus TX Channel 2 Sample Rate 0000 = SAMPLE_RATE_1 0001 = SAMPLE_RATE_2 0010 = SAMPLE_RATE_3 1000 = ASYNC_SAMPLE_RATE_1 1001 = ASYNC_SAMPLE_RATE_2 All other codes are Reserved. The selected sample rate is valid in the range 4kHz to 192kHz. All SLIMTX2MIX_SRCn registers should be set to 00h before changing SLIMTX2_RATE.

REGISTER ADDRESS	BIT	LABEL	DEFAULT	DESCRIPTION
	6:3	SLIMTX1_RATE [3:0]	0000	SLIMbus TX Channel 1 Sample Rate 0000 = SAMPLE_RATE_1 0001 = SAMPLE_RATE_2 0010 = SAMPLE_RATE_3 1000 = ASYNC_SAMPLE_RATE_1 1001 = ASYNC_SAMPLE_RATE_2 All other codes are Reserved. The selected sample rate is valid in the range 4kHz to 192kHz. All SLIMTX1MIX_SRCn registers should be set to 00h before changing SLIMTX1_RATE.
R1514 (05EAh) SLIMbus Rates 6	14:11	SLIMTX4_RATE [3:0]	0000	SLIMbus TX Channel 4 Sample Rate 0000 = SAMPLE_RATE_1 0001 = SAMPLE_RATE_2 0010 = SAMPLE_RATE_3 1000 = ASYNC_SAMPLE_RATE_1 1001 = ASYNC_SAMPLE_RATE_2 All other codes are Reserved. The selected sample rate is valid in the range 4kHz to 192kHz. All SLIMTX4MIX_SRCn registers should be set to 00h before changing SLIMTX4_RATE.
	6:3	SLIMTX3_RATE [3:0]	0000	SLIMbus TX Channel 3 Sample Rate 0000 = SAMPLE_RATE_1 0001 = SAMPLE_RATE_2 0010 = SAMPLE_RATE_3 1000 = ASYNC_SAMPLE_RATE_1 1001 = ASYNC_SAMPLE_RATE_2 All other codes are Reserved. The selected sample rate is valid in the range 4kHz to 192kHz. All SLIMTX3MIX_SRCn registers should be set to 00h before changing SLIMTX3_RATE.
R1515 (05EBh) SLIMbus Rates 7	14:11	SLIMTX6_RATE [3:0]	0000	SLIMbus TX Channel 6 Sample Rate 0000 = SAMPLE_RATE_1 0001 = SAMPLE_RATE_2 0010 = SAMPLE_RATE_3 1000 = ASYNC_SAMPLE_RATE_1 1001 = ASYNC_SAMPLE_RATE_2 All other codes are Reserved. The selected sample rate is valid in the range 4kHz to 192kHz. All SLIMTX6MIX_SRCn registers should be set to 00h before changing SLIMTX6_RATE.

REGISTER ADDRESS	BIT	LABEL	DEFAULT	DESCRIPTION
	6:3	SLIMTX5_RATE [3:0]	0000	SLIMbus TX Channel 5 Sample Rate 0000 = SAMPLE_RATE_1 0001 = SAMPLE_RATE_2 0010 = SAMPLE_RATE_3 1000 = ASYNC_SAMPLE_RATE_1 1001 = ASYNC_SAMPLE_RATE_2 All other codes are Reserved. The selected sample rate is valid in the range 4kHz to 192kHz. All SLIMTX5MIX_SRCn registers should be set to 00h before changing SLIMTX5_RATE.
R1516 (05ECh) SLIMbus Rates 8	14:11	SLIMTX8_RATE [3:0]	0000	SLIMbus TX Channel 8 Sample Rate 0000 = SAMPLE_RATE_1 0001 = SAMPLE_RATE_2 0010 = SAMPLE_RATE_3 1000 = ASYNC_SAMPLE_RATE_1 1001 = ASYNC_SAMPLE_RATE_2 All other codes are Reserved. The selected sample rate is valid in the range 4kHz to 192kHz. All SLIMTX8MIX_SRCn registers should be set to 00h before changing SLIMTX8_RATE.
	6:3	SLIMTX7_RATE [3:0]	0000	SLIMbus TX Channel 7 Sample Rate 0000 = SAMPLE_RATE_1 0001 = SAMPLE_RATE_2 0010 = SAMPLE_RATE_3 1000 = ASYNC_SAMPLE_RATE_1 1001 = ASYNC_SAMPLE_RATE_2 All other codes are Reserved. The selected sample rate is valid in the range 4kHz to 192kHz. All SLIMTX7MIX_SRCn registers should be set to 00h before changing SLIMTX7_RATE.
R3584 (0E00h) FX_Ctrl	14:11	FX_RATE [3:0]	0000	FX Sample Rate (EQ, LHPF, DRC) 0000 = SAMPLE_RATE_1 0001 = SAMPLE_RATE_2 0010 = SAMPLE_RATE_3 1000 = ASYNC_SAMPLE_RATE_1 1001 = ASYNC_SAMPLE_RATE_2 All other codes are Reserved. The selected sample rate is valid in the range 8kHz to 192kHz. When the DRC is enabled, the maximum FX_RATE sample rate is 96kHz. All EQnMIX_SRCm, DRCnxMIX_SRCm, and LHPFnMIX_SRCm registers should be set to 00h before changing FX_RATE.

REGISTER ADDRESS	BIT	LABEL	DEFAULT	DESCRIPTION
R4352 (1100h) DSP1 Control 1	14:11	DSP1_RATE [3:0]	0000	DSP1 Sample Rate 0000 = SAMPLE_RATE_1 0001 = SAMPLE_RATE_2 0010 = SAMPLE_RATE_3 1000 = ASYNC_SAMPLE_RATE_1 1001 = ASYNC_SAMPLE_RATE_2 All other codes are Reserved. The selected sample rate is valid in the range 4kHz to 192kHz. All DSP1xMIX_SRCn registers should be set to 00h before changing DSP1_RATE.
R4608 (1200h) DSP2 Control 1	14:11	DSP2_RATE [3:0]	0000	DSP2 Sample Rate 0000 = SAMPLE_RATE_1 0001 = SAMPLE_RATE_2 0010 = SAMPLE_RATE_3 1000 = ASYNC_SAMPLE_RATE_1 1001 = ASYNC_SAMPLE_RATE_2 All other codes are Reserved. The selected sample rate is valid in the range 4kHz to 192kHz. All DSP2xMIX_SRCn registers should be set to 00h before changing DSP2_RATE.
R4864 (1300h) DSP3 Control 1	14:11	DSP3_RATE [3:0]	0000	DSP3 Sample Rate 0000 = SAMPLE_RATE_1 0001 = SAMPLE_RATE_2 0010 = SAMPLE_RATE_3 1000 = ASYNC_SAMPLE_RATE_1 1001 = ASYNC_SAMPLE_RATE_2 All other codes are Reserved. The selected sample rate is valid in the range 4kHz to 192kHz. All DSP3xMIX_SRCn registers should be set to 00h before changing DSP3_RATE.
R5120 (1400h) DSP4 Control 1	14:11	DSP4_RATE [3:0]	0000	DSP4 Sample Rate 0000 = SAMPLE_RATE_1 0001 = SAMPLE_RATE_2 0010 = SAMPLE_RATE_3 1000 = ASYNC_SAMPLE_RATE_1 1001 = ASYNC_SAMPLE_RATE_2 All other codes are Reserved. The selected sample rate is valid in the range 4kHz to 192kHz. All DSP4xMIX_SRCn registers should be set to 00h before changing DSP4_RATE.

**Table 23 Digital Core Sample Rate Control**

### ASYNCHRONOUS SAMPLE RATE CONVERTER (ASRC)

The WM8281 supports multiple signal paths through the digital core. Two independent clock domains are supported, referenced to SYSCLK and ASYNCCLK respectively, as described in “Clocking and Sample Rates”. Every digital signal path must be synchronised either to SYSCLK or to ASYNCCLK.

The Asynchronous Sample Rate Converter (ASRC) provides two stereo signal paths between the SYSCLK and ASYNCCLK domains, as illustrated in Figure 40.

The sample rate on the SYSCLK domain is selected using the ASRC\_RATE1 register - the rate can be set equal to SAMPLE\_RATE\_1, SAMPLE\_RATE\_2 or SAMPLE\_RATE\_3.

The sample rate on the ASYNCCLK domain is selected using the ASRC\_RATE2 register - the rate can be set equal to ASYNC\_SAMPLE\_RATE\_1 or ASYNC\_SAMPLE\_RATE\_2.

See “Clocking and Sample Rates” for details of the sample rate control registers.

The ASRC\_RATE1 and ASRC\_RATE2 registers should not be changed if any of the respective \*\_SRCn registers is non-zero. The associated \*\_SRCn registers should be cleared to 00h before writing new values to ASRC\_RATE1 or ASRC\_RATE2. A minimum delay of 125µs should be allowed between clearing the \*\_SRCn registers and writing to the associated ASRC\_RATE1 or ASRC\_RATE2 registers. See Table 24 for further details.

The ASRC supports sample rates in the range 8kHz to 48kHz only. The applicable SAMPLE\_RATE\_n and ASYNC\_SAMPLE\_RATE\_n registers must each select sample rates between 8kHz and 48kHz when any ASRC path is enabled.

The ASRC1 Left and ASRC1 Right paths convert from the SYSCLK domain to the ASYNCCLK domain. These paths are enabled using the ASRC1L\_ENA and ASRC1R\_ENA register bits respectively.

The ASRC2 Left and ASRC2 Right paths convert from the ASYNCCLK domain to the SYSCLK domain. These paths are enabled using the ASRC2L\_ENA and ASRC2R\_ENA register bits respectively.

Synchronisation (lock) between different clock domains is not instantaneous when the clocking or sample rate configurations are updated. The lock status of each ASRC path is an input to the Interrupt control circuit and can be used to trigger an Interrupt event - see “Interrupts”.

The ASRC Lock status of each ASRC path can be output directly on a GPIO pin as an external indication of ASRC Lock. See “General Purpose Input / Output” to configure a GPIO pin for this function.

The WM8281 performs automatic checks to confirm that the SYSCLK or ASYNCCLK frequency is high enough to support the commanded ASRC and digital mixing functions. If an attempt is made to enable an ASRC signal path, and there are insufficient SYSCLK or ASYNCLK cycles to support it, then the attempt will be unsuccessful. (Note that any signal paths that are already active will not be affected under these circumstances.)

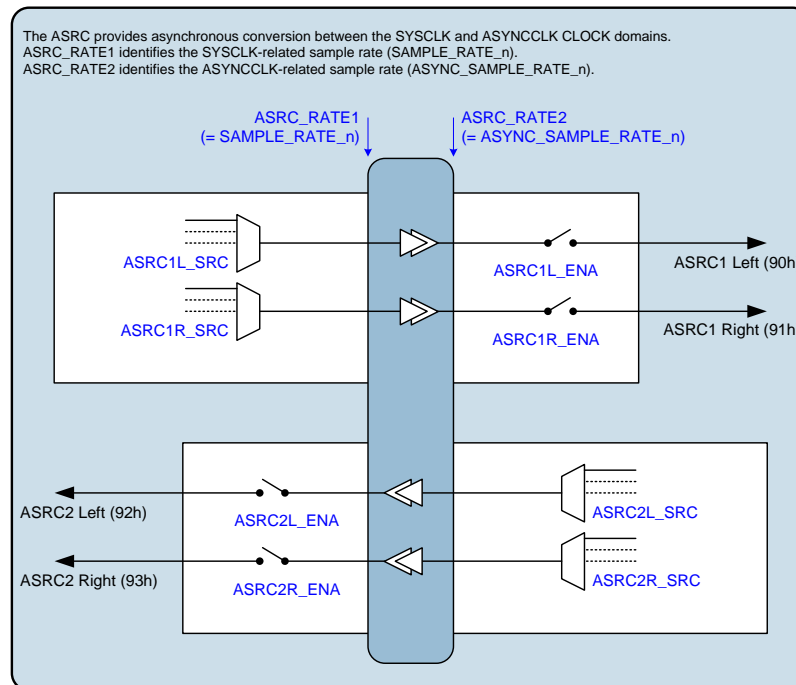
The Underclocked Error can be monitored using the GPIO and/or Interrupt functions. See “General Purpose Input / Output” and “Interrupts” for further details.

The status bits in Register R3809 indicate the status of each of the ASRC signal paths. If an Underclocked Error condition occurs, then these bits provide readback of which ASRC signal path(s) have been successfully enabled.

The status bits in Registers R1600 to R3000 indicate the status of each of the digital mixers. If an Underclocked Error condition occurs, then these bits provide readback of which mixer(s) have been successfully enabled.

The Asynchronous Sample Rate Converter (ASRC) signal paths and control registers are illustrated in Figure 40.





**Figure 40 Asynchronous Sample Rate Converters (ASRCs)**

The ASRC1 and ASRC2 input control registers (see Figure 40) are located at register addresses R2688 (A80h) through to R2712 (A98h).

The full list of digital mixer control registers is provided in the “Register Map” section (Register R1600 through to R3000). Generic register definitions are provided in Table 8.

The \*\_SRCn registers select the input source(s) for the respective ASRC processing blocks. Note that the selected input source(s) must be configured for the same sample rate as the ASRC to which they are connected.

The bracketed numbers in Figure 40, eg. “(90h)” indicate the corresponding \*\_SRCn register setting for selection of that signal as an input to another digital core function.

The register bits associated with the ASRCs are described in Table 24.

REGISTER ADDRESS	BIT	LABEL	DEFAULT	DESCRIPTION
R3808 (0EE0h) ASRC_ENABLE	3	ASRC2L_ENA	0	ASRC2 Left Enable (Left ASRC channel from ASYNCCLK domain to SYSCLK domain) 0 = Disabled 1 = Enabled
	2	ASRC2R_ENA	0	ASRC2 Right Enable (Right ASRC channel from ASYNCCLK domain to SYSCLK domain) 0 = Disabled 1 = Enabled
	1	ASRC1L_ENA	0	ASRC1 Left Enable (Left ASRC channel from ASYNCCLK domain to SYSCLK domain) 0 = Disabled 1 = Enabled

REGISTER ADDRESS	BIT	LABEL	DEFAULT	DESCRIPTION
	0	ASRC1R_ENA	0	ASRC1 Right Enable (Right ASRC channel from ASYNCCLK domain to SYSCLK domain) 0 = Disabled 1 = Enabled
R3809 (0EE1h) ASRC_STATUS	3	ASRC2L_ENA_STS	0	ASRC2 Left Enable Status (Left ASRC channel from ASYNCCLK domain to SYSCLK domain) 0 = Disabled 1 = Enabled
	2	ASRC2R_ENA_STS	0	ASRC2 Right Enable Status (Right ASRC channel from ASYNCCLK domain to SYSCLK domain) 0 = Disabled 1 = Enabled
	1	ASRC1L_ENA_STS	0	ASRC1 Left Enable Status (Left ASRC channel from ASYNCCLK domain to SYSCLK domain) 0 = Disabled 1 = Enabled
	0	ASRC1R_ENA_STS	0	ASRC1 Right Enable Status (Right ASRC channel from ASYNCCLK domain to SYSCLK domain) 0 = Disabled 1 = Enabled
R3810 (0EE2h) ASRC_RATE1	14:11	ASRC_RATE1 [3:0]	0000	ASRC Sample Rate select for SYSCLK domain 0000 = SAMPLE_RATE_1 0001 = SAMPLE_RATE_2 0010 = SAMPLE_RATE_3 All other codes are Reserved. The selected sample rate is valid in the range 8kHz to 48kHz. The ASRC_IN1L_SRC and ASRC_IN1R_SRC registers should be set to 00h before ASRC_RATE1.
R3811 (0EE3h) ASRC_RATE2	14:11	ASRC_RATE2 [3:0]	1000	ASRC Sample Rate select for ASYNCCLK domain 1000 = ASYNC_SAMPLE_RATE_1 1001 = ASYNC_SAMPLE_RATE_2 All other codes are Reserved. The selected sample rate is valid in the range 8kHz to 48kHz. The ASRC_IN2L_SRC and ASRC_IN2R_SRC registers should be set to 00h before ASRC_RATE2.

**Table 24 Digital Core ASRC Control**

### ISOCRONOUS SAMPLE RATE CONVERTER (ISRC)

The WM8281 supports multiple signal paths through the digital core. The Isochronous Sample Rate Converters (ISRCs) provide sample rate conversion between synchronised sample rates on the SYSCLK clock domain, or between synchronised sample rates on the ASYNCCLK clock domain.

There are three Isochronous Sample Rate Converters (ISRCs). Each of these provides four signal paths between two different sample rates, as illustrated in Figure 41.

The sample rates associated with each ISRC can be set independently. Note that the two sample rates associated with any single ISRC must both be referenced to the same clock domain (SYSCLK or ASYNCCLK).

When an ISRC is used on the SYSCLK domain, then the associated sample rates may be selected from SAMPLE\_RATE\_1, SAMPLE\_RATE\_2 or SAMPLE\_RATE\_3.

When an ISRC is used on the ASYNCCLK domain, then the associated sample rates are ASYNC\_SAMPLE\_RATE\_1 and ASYNC\_SAMPLE\_RATE\_2.

See “Clocking and Sample Rates” for details of the sample rate control registers.

Each ISRC supports sample rates in the range 8kHz to 192kHz. The higher of the sample rates associated with each ISRC must be an integer multiple of the lower sample rate; all possible integer ratios are supported (ie. up to 24).

Each ISRC converts between a sample rate selected by ISRCn\_FSL and a sample rate selected by ISRCn\_FSH, (where ‘n’ identifies the applicable ISRC 1, 2 or 3). Note that, in each case, the higher of the two sample rates must be selected by ISRCn\_FSH.

The ISRCn\_FSL and ISRCn\_FSH registers should not be changed if any of the respective \*\_SRCn registers is non-zero. The associated \*\_SRCn registers should be cleared to 00h before writing new values to ISRCn\_FSL or ISRCn\_FSH. A minimum delay of 125µs should be allowed between clearing the \*\_SRCn registers and writing to the associated ISRCn\_FSL or ISRCn\_FSH registers. See Table 25 for further details.

The ISRCn ‘interpolation’ paths (increasing sample rate) are enabled using the ISRCn\_INT1\_ENA, ISRCn\_INT2\_ENA, ISRCn\_INT3\_ENA and ISRCn\_INT4\_ENA register bits.

The ISRCn ‘decimation’ paths (decreasing sample rate) are enabled using the ISRCn\_DEC1\_ENA, ISRCn\_DEC2\_ENA, ISRCn\_DEC3\_ENA and ISRCn\_DEC4\_ENA register bits.

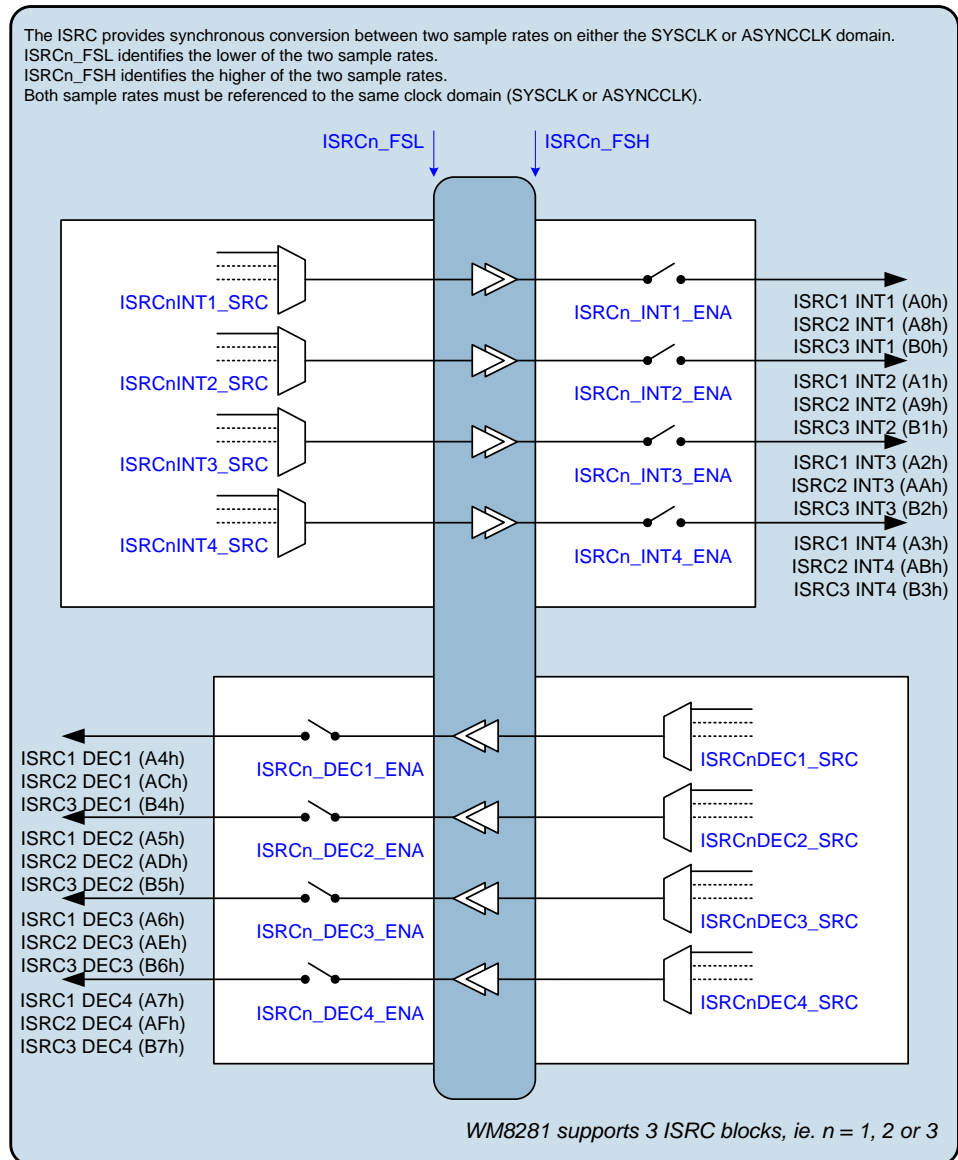
A notch filter is provided in each of the ISRC paths; these are enabled using the ISRCn\_NOTCH\_ENA bits. The filter is configured automatically according to the applicable sample rate(s). It is recommended to enable the filter for typical applications. Disabling the filter will provide maximum ‘pass’ bandwidth, at the expense of degraded stopband attenuation.

The WM8281 performs automatic checks to confirm that the SYSCLK frequency is high enough to support the commanded ISRC and digital mixing functions. If an attempt is made to enable an ISRC signal path, and there are insufficient SYSCLK cycles to support it, then the attempt will be unsuccessful. (Note that any signal paths that are already active will not be affected under these circumstances.)

The Underclocked Error condition can be monitored using the GPIO and/or Interrupt functions. See “General Purpose Input / Output” and “Interrupts” for further details.

The status bits in Registers R1600 to R3000 indicate the status of each of the digital mixers. If an Underclocked Error condition occurs, then these bits provide readback of which mixer(s) have been successfully enabled.

The Isochronous Sample Rate Converter (ISRC) signal paths and control registers are illustrated in Figure 41.



**Figure 41 Isochronous Sample Rate Converters (ISRCs)**

The ISRC input control registers (see Figure 41) are located at register addresses R2816 (B00h) through to R3000 (0BB8h).

The full list of digital mixer control registers is provided in the “Register Map” section (Register R1600 through to R3000). Generic register definitions are provided in Table 8.

The \*\_SRC registers select the input source(s) for the respective ISRC processing blocks. Note that the selected input source(s) must be configured for the same sample rate as the ISRC to which they are connected.

The bracketed numbers in Figure 41, eg. “(A4h)” indicate the corresponding \*\_SRC register setting for selection of that signal as an input to another digital core function.

The register bits associated with the ISRCs are described in Table 25.

REGISTER ADDRESS	BIT	LABEL	DEFAULT	DESCRIPTION
R3824 (0EF0h) ISRC 1 CTRL 1	14:11	ISRC1_FSH [3:0]	0000	ISRC1 High Sample Rate (Sets the higher of the ISRC1 sample rates) 0000 = SAMPLE_RATE_1 0001 = SAMPLE_RATE_2 0010 = SAMPLE_RATE_3 1000 = ASYNC_SAMPLE_RATE_1 1001 = ASYNC_SAMPLE_RATE_2 All other codes are Reserved. The selected sample rate is valid in the range 8kHz to 192kHz. The ISRC1_FSH and ISRC1_FSL fields must both select sample rates referenced to the same clock domain (SYSCLK or ASYNCCLK). All ISRC1_DECN_SRC registers should be set to 00h before changing ISRC1_FSH.
R3825 (0EF1h) ISRC 1 CTRL 2	14:11	ISRC1_FSL [3:0]	0000	ISRC1 Low Sample Rate (Sets the lower of the ISRC1 sample rates) 0000 = SAMPLE_RATE_1 0001 = SAMPLE_RATE_2 0010 = SAMPLE_RATE_3 1000 = ASYNC_SAMPLE_RATE_1 1001 = ASYNC_SAMPLE_RATE_2 All other codes are Reserved. The selected sample rate is valid in the range 8kHz to 192kHz. The ISRC1_FSH and ISRC1_FSL fields must both select sample rates referenced to the same clock domain (SYSCLK or ASYNCCLK). All ISRC1_INTn_SRC registers should be set to 00h before changing ISRC1_FSL.
R3826 (0EF2h) ISRC 1 CTRL 3	15	ISRC1_INT1_EN A	0	ISRC1 INT1 Enable (Interpolation Channel 1 path from ISRC1_FSL rate to ISRC1_FSH rate) 0 = Disabled 1 = Enabled
	14	ISRC1_INT2_EN A	0	ISRC1 INT2 Enable (Interpolation Channel 2 path from ISRC1_FSL rate to ISRC1_FSH rate) 0 = Disabled 1 = Enabled

REGISTER ADDRESS	BIT	LABEL	DEFAULT	DESCRIPTION
	13	ISRC1_INT3_EN A	0	ISRC1 INT3 Enable (Interpolation Channel 3 path from ISRC1_FSL rate to ISRC1_FSH rate) 0 = Disabled 1 = Enabled
	12	ISRC1_INT4_EN A	0	ISRC1 INT4 Enable (Interpolation Channel 4 path from ISRC1_FSL rate to ISRC1_FSH rate) 0 = Disabled 1 = Enabled
	9	ISRC1_DEC1_EN A	0	ISRC1 DEC1 Enable (Decimation Channel 1 path from ISRC1_FSH rate to ISRC1_FSL rate) 0 = Disabled 1 = Enabled
	8	ISRC1_DEC2_EN A	0	ISRC1 DEC2 Enable (Decimation Channel 2 path from ISRC1_FSH rate to ISRC1_FSL rate) 0 = Disabled 1 = Enabled
	7	ISRC1_DEC3_EN A	0	ISRC1 DEC3 Enable (Decimation Channel 3 path from ISRC1_FSH rate to ISRC1_FSL rate) 0 = Disabled 1 = Enabled
	6	ISRC1_DEC4_EN A	0	ISRC1 DEC4 Enable (Decimation Channel 4 path from ISRC1_FSH rate to ISRC1_FSL rate) 0 = Disabled 1 = Enabled
	0	ISRC1_NOTCH_ENA	0	ISRC1 Notch Filter Enable 0 = Disabled 1 = Enabled It is recommended to enable the notch filter for typical applications.
R3827 (0EF3h) ISRC 2 CTRL 1	14:11	ISRC2_FSH [3:0]	0000	ISRC2 High Sample Rate (Sets the higher of the ISRC2 sample rates) 0000 = SAMPLE_RATE_1 0001 = SAMPLE_RATE_2 0010 = SAMPLE_RATE_3 1000 = ASYNC_SAMPLE_RATE_1 1001 = ASYNC_SAMPLE_RATE_2 All other codes are Reserved. The selected sample rate is valid in the range 8kHz to 192kHz. The ISRC2_FSH and ISRC2_FSL fields must both select sample rates referenced to the same clock domain (SYSCLK or ASYNCCLK). All ISRC2_DECn_SRC registers should be set to 00h before changing ISRC2_FSH.

REGISTER ADDRESS	BIT	LABEL	DEFAULT	DESCRIPTION
R3828 (0EF4h) ISRC 2 CTRL 2	14:11	ISRC2_FSL [3:0]	0000	<p>ISRC2 Low Sample Rate (Sets the lower of the ISRC2 sample rates)</p> <p>0000 = SAMPLE_RATE_1 0001 = SAMPLE_RATE_2 0010 = SAMPLE_RATE_3 1000 = ASYNC_SAMPLE_RATE_1 1001 = ASYNC_SAMPLE_RATE_2 All other codes are Reserved.</p> <p>The selected sample rate is valid in the range 8kHz to 192kHz.</p> <p>The ISRC2_FSH and ISRC2_FSL fields must both select sample rates referenced to the same clock domain (SYSCLK or ASYNCCLK).</p> <p>All ISRC2_INT<sub>n</sub>_SRC registers should be set to 00h before changing ISRC2_FSL.</p>
R3829 (0EF5h) ISRC 2 CTRL 3	15	ISRC2_INT1_EN A	0	<p>ISRC2 INT1 Enable (Interpolation Channel 1 path from ISRC2_FSL rate to ISRC2_FSH rate)</p> <p>0 = Disabled 1 = Enabled</p>
	14	ISRC2_INT2_EN A	0	<p>ISRC2 INT2 Enable (Interpolation Channel 2 path from ISRC2_FSL rate to ISRC2_FSH rate)</p> <p>0 = Disabled 1 = Enabled</p>
	13	ISRC2_INT3_EN A	0	<p>ISRC2 INT3 Enable (Interpolation Channel 3 path from ISRC2_FSL rate to ISRC2_FSH rate)</p> <p>0 = Disabled 1 = Enabled</p>
	12	ISRC2_INT4_EN A	0	<p>ISRC2 INT4 Enable (Interpolation Channel 4 path from ISRC2_FSL rate to ISRC2_FSH rate)</p> <p>0 = Disabled 1 = Enabled</p>
	9	ISRC2_DEC1_EN A	0	<p>ISRC2 DEC1 Enable (Decimation Channel 1 path from ISRC2_FSH rate to ISRC2_FSL rate)</p> <p>0 = Disabled 1 = Enabled</p>
	8	ISRC2_DEC2_EN A	0	<p>ISRC2 DEC2 Enable (Decimation Channel 2 path from ISRC2_FSH rate to ISRC2_FSL rate)</p> <p>0 = Disabled 1 = Enabled</p>
	7	ISRC2_DEC3_EN A	0	<p>ISRC2 DEC3 Enable (Decimation Channel 3 path from ISRC2_FSH rate to ISRC2_FSL rate)</p> <p>0 = Disabled 1 = Enabled</p>
	6	ISRC2_DEC4_EN A	0	<p>ISRC2 DEC4 Enable (Decimation Channel 4 path from ISRC2_FSH rate to ISRC2_FSL rate)</p> <p>0 = Disabled 1 = Enabled</p>

REGISTER ADDRESS	BIT	LABEL	DEFAULT	DESCRIPTION
	0	ISRC2_NOTCH_ENA	0	ISRC2 Notch Filter Enable 0 = Disabled 1 = Enabled It is recommended to enable the notch filter for typical applications.
R3830 (0EF6h) ISRC 3 CTRL 1	14:11	ISRC3_FSH [3:0]	0000	ISRC3 High Sample Rate (Sets the higher of the ISRC3 sample rates) 0000 = SAMPLE_RATE_1 0001 = SAMPLE_RATE_2 0010 = SAMPLE_RATE_3 1000 = ASYNC_SAMPLE_RATE_1 1001 = ASYNC_SAMPLE_RATE_2 All other codes are Reserved. The selected sample rate is valid in the range 8kHz to 192kHz. The ISRC3_FSH and ISRC3_FSL fields must both select sample rates referenced to the same clock domain (SYSCLK or ASYNCCLK). All ISRC3_DECn_SRC registers should be set to 00h before changing ISRC3_FSH.
R3831 (0EF7h) ISRC 3 CTRL 2	14:11	ISRC3_FSL [3:0]	0000	ISRC3 Low Sample Rate (Sets the lower of the ISRC3 sample rates) 0000 = SAMPLE_RATE_1 0001 = SAMPLE_RATE_2 0010 = SAMPLE_RATE_3 1000 = ASYNC_SAMPLE_RATE_1 1001 = ASYNC_SAMPLE_RATE_2 All other codes are Reserved. The selected sample rate is valid in the range 8kHz to 192kHz. The ISRC3_FSH and ISRC3_FSL fields must both select sample rates referenced to the same clock domain (SYSCLK or ASYNCCLK). All ISRC3_INTn_SRC registers should be set to 00h before changing ISRC3_FSL.
R3832 (0EF8h) ISRC 3 CTRL 3	15	ISRC3_INT1_ENA	0	ISRC3 INT1 Enable (Interpolation Channel 1 path from ISRC3_FSL rate to ISRC3_FSH rate) 0 = Disabled 1 = Enabled
	14	ISRC3_INT2_ENA	0	ISRC3 INT2 Enable (Interpolation Channel 2 path from ISRC3_FSL rate to ISRC3_FSH rate) 0 = Disabled 1 = Enabled
	13	ISRC3_INT3_ENA	0	ISRC3 INT3 Enable (Interpolation Channel 3 path from ISRC3_FSL rate to ISRC3_FSH rate) 0 = Disabled 1 = Enabled



REGISTER ADDRESS	BIT	LABEL	DEFAULT	DESCRIPTION
	12	ISRC3_INT4_EN A	0	ISRC3 INT4 Enable (Interpolation Channel 4 path from ISRC3_FSL rate to ISRC3_FSH rate) 0 = Disabled 1 = Enabled
	9	ISRC3_DEC1_EN A	0	ISRC3 DEC1 Enable (Decimation Channel 1 path from ISRC3_FSH rate to ISRC3_FSL rate) 0 = Disabled 1 = Enabled
	8	ISRC3_DEC2_EN A	0	ISRC3 DEC2 Enable (Decimation Channel 2 path from ISRC3_FSH rate to ISRC3_FSL rate) 0 = Disabled 1 = Enabled
	7	ISRC3_DEC3_EN A	0	ISRC3 DEC3 Enable (Decimation Channel 3 path from ISRC3_FSH rate to ISRC3_FSL rate) 0 = Disabled 1 = Enabled
	6	ISRC3_DEC4_EN A	0	ISRC3 DEC4 Enable (Decimation Channel 4 path from ISRC3_FSH rate to ISRC3_FSL rate) 0 = Disabled 1 = Enabled
	0	ISRC3_NOTCH_ ENA	0	ISRC3 Notch Filter Enable 0 = Disabled 1 = Enabled  It is recommended to enable the notch filter for typical applications.

**Table 25 Digital Core ISRC Control**

---

## DSP FIRMWARE CONTROL

The WM8281 digital core incorporates four DSP processing blocks, capable of running a wide range of audio enhancement functions. Different firmware configurations can be loaded onto each DSP, enabling the WM8281 to be highly customised for specific application requirements. Synchronisation of different DSPs is supported, and shared data memory space is provided for the DSP2 and DSP3 blocks; these features enable enhanced processing capabilities for the associated DSPs.

Examples of the DSP functions include Virtual Surround Sound (VSS), Multiband Compressor (MBC), and signal enhancements such as Ez2 Hear™. Note that it is possible to implement more than one type of audio enhancement function on a single DSP; the precise combination(s) of functions will vary from one firmware configuration to another.

DSP firmware can be configured using Cirrus Logic-supplied software packages. A software programming guide can also be provided to assist users in developing their own software algorithms - please contact your local Cirrus Logic representative for further information.

In order to use the DSP blocks, the required firmware configuration must first be loaded onto the device by writing the appropriate files to the WM8281 register map. The firmware configuration will comprise Program, Coefficient and Data content. In some cases, the Coefficient content must be derived using tools provided in Cirrus Logic's WISCE™ evaluation board control software.

Details of how to load the firmware configuration onto the WM8281 are described below. Note that the WISCE evaluation board control software provides support for easy loading of Program, Coefficient and Data content onto the WM8281. Please contact your local Cirrus Logic representative for more details of the WISCE evaluation board control software.

After loading the DSP firmware, the DSP functions must be enabled using the associated register control fields.

The audio signal paths connecting to/from the DSP processing blocks are configured as described in the "Digital Core" section. Note that the DSP firmware must be loaded and enabled before audio signal paths can be enabled.

## DSP FIRMWARE MEMORY CONTROL

The DSP firmware memory is programmed by writing to the registers referenced in Table 26. Note that the DSP clock must be configured and enabled for the respective DSP block to support read/write access to these registers.

The WM8281 Program, Coefficient and Data register memory space is described in Table 26. See "Register Map" for a definition of these register addresses. The shared DSP2/DSP3 memory space is implemented at two different register address locations; note that reading or writing at either address will access the same memory data.

If multiple DSPs write to a shared memory address at the same time, then the address at which the collision occurred will be reported in the DSP3\_DUALMEM\_COLLISION\_ADDR register. Note that this field is coded in 24-bit DSP data word units, and is defined relative to the base address of the applicable shared memory area.

The DSP memory controller provides an input to the Interrupt Controller circuit. An interrupt event is triggered if a memory collision occurs. (Note that the DSP software should be written to ensure this never happens; the interrupt is intended for development purposes only.) See "Interrupts" for more details of the Interrupt event handling.

The Program firmware parameters are formatted as 40-bit words. For this reason, 3 x 16-bit register addresses are required for each 40-bit word.

The Coefficient and Data firmware parameters are formatted as 24-bit words. For this reason, 2 x 16-bit register addresses are required for each 24-bit word.

	DESCRIPTION	REGISTER ADDRESS	DSP MEMORY SIZE
DSP1	Program memory	10_0000h to 10_5FFFh (24576 registers)	8k x 40-bit words
	Coefficient memory	18_0000h to 18_1FFFh (8192 registers)	4k x 24-bit words
	X Data memory	19_0000h to 19_7FFFh (32768 registers)	16k x 24-bit words
	Y Data memory	1A_8000h to 1A_9FFFh (8192 registers)	4k x 24-bit words
DSP2	Program memory	20_0000h to 20_EFFFh (61440 registers)	20k x 40-bit words
	Coefficient memory	28_0000h to 28_1FFFh (8192 registers)	4k x 24-bit words
	X Data memory	29_0000h to 29_BFFFh (49152 registers)	24k x 24-bit words
	X Data memory (Shared DSP2/DSP3)	2A_6000h to 2A_7FFFh (8192 registers)	4k x 24-bit words
	Y Data memory	2A_8000h to 2B_3FFFh (49152 registers)	24k x 24-bit words
DSP3	Program memory	30_0000h to 30_EFFFh (61440 registers)	20k x 40-bit words
	Coefficient memory	38_0000h to 38_1FFFh (8192 registers)	4k x 24-bit words
	X Data memory	39_0000h to 3A_1FFFh (73728 registers)	36k x 24-bit words
	X Data memory (Shared DSP2/DSP3)	3A_6000h to 3A_7FFFh (8192 registers)	4k x 24-bit words
	Y Data memory	3A_8000h to 3B_3FFFh (49152 registers)	24k x 24-bit words
DSP4	Program memory	40_0000h to 40_5FFFh (24576 registers)	8k x 40-bit words
	Coefficient memory	48_0000h to 48_1FFFh (8192 registers)	4k x 24-bit words
	X Data memory	49_0000h to 49_7FFFh (32768 registers)	16k x 24-bit words
	Y Data memory	4A_8000h to 4A_9FFFh (8192 registers)	4k x 24-bit words

**Table 26 DSP Program, Coefficient and Data Registers**

Clocking is required for any functionality of the DSP processing blocks, including any register read/write operations associated with DSP firmware loading.

The clock source for each DSP is derived from SYSCLK, which must also be enabled. See “Clocking and Sample Rates” for details of how to configure SYSCLK.

The DSP clock frequency is selected using the DSPn\_CLK\_SEL register. Note that the DSP clock frequency must be less than or equal to the SYSCLK frequency. The frequencies must be integer-related (eg. divide by 1, 2, 3 etc.).

The clock source for each DSP block is enabled using DSPn\_SYS\_ENA (where ‘n’ identifies the applicable DSP processing block 1, 2, 3 or 4). The clock must be enabled before (or simultaneous to) enabling the respective DSP Core or DMA channels. The clock must be disabled after (or simultaneous to) disabling the DSP Core and DMA channels.

The DSPn\_CLK\_SEL\_STS fields provide readback of the clock frequency for the respective DSP cores. These can be used to confirm the clock frequency, in cases where code execution has a minimum clock frequency requirement. The DSPn\_CLK\_SEL\_STS field is only valid when the respective DSP Clock is enabled; typical usage of this field would be for the DSP core itself to readback the clock status, and to take action as applicable (in particular, if the available clock does not meet the application requirements).

The DSPn\_RAM\_RDY status bits indicate when the respective DSP firmware memory registers are ready for read/write access. The respective DSP memories should not be accessed until this bit has been set.

The DSP RAM Ready flags are inputs to the Interrupt control circuit and can be used to trigger an interrupt event - see “Interrupts”.

The DSP RAM Ready flags can be output directly on a GPIO pin as an external indication of the DSP RAM Status. See “General Purpose Input / Output” to configure a GPIO pin for this function.

Under default register conditions, the DSP firmware memory contents are retained if the respective clock is disabled, and also during Hardware Reset and Software Reset; this is selectable using the DSPn\_MEM\_ENA register bits, as described below.

When DSPn\_MEM\_ENA = 1 (default), the DSP firmware memory is retained when the DSP clock is disabled (ie. when DSPn\_SYS\_ENA = 0). It is also retained during Hardware Reset and Software Reset, provided DCVDD is held above its reset threshold.

When DSPn\_MEM\_ENA = 0, the DSP firmware memory is disabled (and the contents lost) when DSPn\_SYS\_ENA = 0. It is also disabled during Hardware Reset and Software Reset. Power consumption is reduced when the memory is disabled, but the DSP firmware must then be reloaded when required.

Note that the DSP firmware memory is always cleared under Power-On Reset (POR) and 'Sleep' mode conditions. See the "Applications Information" section for a summary of the WM8281 memory reset conditions.

REGISTER ADDRESS	BIT	LABEL	DEFAULT	DESCRIPTION
R4352 (1100h) DSP1 Control 1	4	DSP1_MEM_ENA	1	DSP1 Memory Control 0 = DSP1 memory is cleared when DSP1_SYS_ENA=0, and during Hardware Reset or Software Reset. 1 = DSP1 memory is retained when DSP1_SYS_ENA=0. DSP1 memory is retained during Hardware Reset and Software Reset.
	2	DSP1_SYS_ENA	0	DSP1 Clock Enable 0 = Disabled 1 = Enabled The DSP1 Clock must be enabled for DSP1 firmware register access, code execution, or DMA operation. The DSP1 Core must be reset (by writing DSP1_CORE_ENA=0) when disabling the DSP1 Clock.
R4353 (1101h) DSP1 Clocking 1	2:0	DSP1_CLK_SEL [2:0]	000	DSP1 Clock Frequency Select 000 = 6.144MHz (5.6448MHz) 001 = 12.288MHz (11.2896MHz) 010 = 24.576MHz (22.5792MHz) 011 = 49.152MHz (45.1584MHz) 100 = 73.728MHz (67.7376MHz) 101 = 98.304MHz (90.3168MHz) 110 = 147.456MHz (135.4752MHz) 111 = Reserved The DSP1 Clock must be less than or equal to the SYSCLK frequency. The frequencies must also be integer-related (eg. divide by 1, 2, 3 etc.). The frequencies in brackets apply for 44.1kHz-related sample rates only (ie. SAMPLE_RATE_n = 01XXX).
R4356 (1104h) DSP1 Status 1	0	DSP1_RAM_READY	0	DSP1 Memory Status 0 = Not ready 1 = Ready Note - DSP1 memory should not be accessed until this bit has been set.

REGISTER ADDRESS	BIT	LABEL	DEFAULT	DESCRIPTION
R4358 (1106h) DSP1 Status 3	3:1	DSP1_CLK_SEL _STS [2:0]	000	<p>DSP1 Clock Frequency (Read only, Only valid when the respective DSP Clock is enabled)</p> <p>000 = 6.144MHz (5.6448MHz) 001 = 12.288MHz (11.2896MHz) 010 = 24.576MHz (22.5792MHz) 011 = 49.152MHz (45.1584MHz) 100 = 73.728MHz (67.7376MHz) 101 = 98.304MHz (90.3168MHz) 110 = 147.456MHz (135.4752MHz) 111 = Reserved</p> <p>The frequencies in brackets apply for 44.1kHz-related sample rates only (ie. SAMPLE_RATE_n = 01XXX).</p>
	0	DSP1_CLK_AVAI L	0	<p>DSP1 Clock Availability (Read only) 0 = No Clock 1 = Clock Available</p> <p>Note – this bit exists for legacy software support only; it is not recommended for future designs, as the readback may be unreliable on the latest device architectures.</p>
R4608 (1200h) DSP2 Control 1	4	DSP2_MEM_EN A	1	<p>DSP2 Memory Control 0 = DSP2 memory is cleared when DSP2_SYS_ENA=0, and during Hardware Reset or Software Reset. 1 = DSP2 memory is retained when DSP2_SYS_ENA=0. DSP2 memory is retained during Hardware Reset and Software Reset.</p>
	2	DSP2_SYS_ENA	0	<p>DSP2 Clock Enable 0 = Disabled 1 = Enabled</p> <p>The DSP2 Clock must be enabled for DSP2 firmware register access, code execution, or DMA operation. The DSP2 Core must be reset (by writing DSP2_CORE_ENA=0) when disabling the DSP2 Clock.</p>
R4609 (1201h) DSP2 Clocking 1	2:0	DSP2_CLK_SEL [2:0]	000	<p>DSP2 Clock Frequency Select 000 = 6.144MHz (5.6448MHz) 001 = 12.288MHz (11.2896MHz) 010 = 24.576MHz (22.5792MHz) 011 = 49.152MHz (45.1584MHz) 100 = 73.728MHz (67.7376MHz) 101 = 98.304MHz (90.3168MHz) 110 = 147.456MHz (135.4752MHz) 111 = Reserved</p> <p>The DSP2 Clock must be less than or equal to the SYSCLK frequency. The frequencies must also be integer-related (eg. divide by 1, 2, 3 etc.). The frequencies in brackets apply for 44.1kHz-related sample rates only (ie. SAMPLE_RATE_n = 01XXX).</p>

REGISTER ADDRESS	BIT	LABEL	DEFAULT	DESCRIPTION
R4612 (1204h) DSP2 Status 1	0	DSP2_RAM_RDY	0	DSP2 Memory Status 0 = Not ready 1 = Ready Note - DSP2 memory should not be accessed until this bit has been set.
R4614 (1206h) DSP2 Status 3	3:1	DSP2_CLK_SEL_STS [2:0]	000	DSP2 Clock Frequency (Read only, Only valid when the respective DSP Clock is enabled)  000 = 6.144MHz (5.6448MHz) 001 = 12.288MHz (11.2896MHz) 010 = 24.576MHz (22.5792MHz) 011 = 49.152MHz (45.1584MHz) 100 = 73.728MHz (67.7376MHz) 101 = 98.304MHz (90.3168MHz) 110 = 147.456MHz (135.4752MHz) 111 = Reserved  The frequencies in brackets apply for 44.1kHz-related sample rates only (ie. SAMPLE_RATE_n = 01XXX).
	0	DSP2_CLK_AVAILABLE	0	DSP2 Clock Availability (Read only) 0 = No Clock 1 = Clock Available Note – this bit exists for legacy software support only; it is not recommended for future designs, as the readback may be unreliable on the latest device architectures.
R4864 (1300h) DSP3 Control 1	4	DSP3_MEM_ENA	1	DSP3 Memory Control 0 = DSP3 memory is cleared when DSP3_SYS_ENA=0, and during Hardware Reset or Software Reset. 1 = DSP3 memory is retained when DSP3_SYS_ENA=0. DSP3 memory is retained during Hardware Reset and Software Reset.
	2	DSP3_SYS_ENA	0	DSP3 Clock Enable 0 = Disabled 1 = Enabled The DSP3 Clock must be enabled for DSP3 firmware register access, code execution, or DMA operation. The DSP3 Core must be reset (by writing DSP3_CORE_ENA=0) when disabling the DSP3 Clock.

REGISTER ADDRESS	BIT	LABEL	DEFAULT	DESCRIPTION
R4865 (1301h) DSP3 Clocking 1	2:0	DSP3_CLK_SEL [2:0]	000	DSP3 Clock Frequency Select 000 = 6.144MHz (5.6448MHz) 001 = 12.288MHz (11.2896MHz) 010 = 24.576MHz (22.5792MHz) 011 = 49.152MHz (45.1584MHz) 100 = 73.728MHz (67.7376MHz) 101 = 98.304MHz (90.3168MHz) 110 = 147.456MHz (135.4752MHz) 111 = Reserved The DSP3 Clock must be less than or equal to the SYSCLK frequency. The frequencies must also be integer-related (eg. divide by 1, 2, 3 etc.). The frequencies in brackets apply for 44.1kHz-related sample rates only (ie. SAMPLE_RATE_n = 01XXX).
R4868 (1304h) DSP3 Status 1	0	DSP3_RAM_RD Y	0	DSP3 Memory Status 0 = Not ready 1 = Ready Note - DSP3 memory should not be accessed until this bit has been set.
R4870 (1306h) DSP3 Status 3	3:1	DSP3_CLK_SEL _STS [2:0]	000	DSP3 Clock Frequency (Read only, Only valid when the respective DSP Clock is enabled)  000 = 6.144MHz (5.6448MHz) 001 = 12.288MHz (11.2896MHz) 010 = 24.576MHz (22.5792MHz) 011 = 49.152MHz (45.1584MHz) 100 = 73.728MHz (67.7376MHz) 101 = 98.304MHz (90.3168MHz) 110 = 147.456MHz (135.4752MHz) 111 = Reserved  The frequencies in brackets apply for 44.1kHz-related sample rates only (ie. SAMPLE_RATE_n = 01XXX).
	0	DSP3_CLK_AVAI L	0	DSP3 Clock Availability (Read only) 0 = No Clock 1 = Clock Available Note – this bit exists for legacy software support only; it is not recommended for future designs, as the readback may be unreliable on the latest device architectures.
R4871 (1307h) DSP3 Status 4	15:0	DSP3_DUALME M_COLLISION_A DDR [15:0]	0000h	DSP3 Dual Memory Collision Address In the event of a DSP3 memory access collision, this field will report the address at which the collision occurred. The address is defined relative to the base address of the shared data memory. The LSB represents one 24-bit DSP memory word.

REGISTER ADDRESS	BIT	LABEL	DEFAULT	DESCRIPTION
R5120 (1400h) DSP4 Control 1	4	DSP4_MEM_EN A	1	DSP4 Memory Control 0 = DSP4 memory is cleared when DSP4_SYS_ENA=0, and during Hardware Reset or Software Reset. 1 = DSP4 memory is retained when DSP4_SYS_ENA=0. DSP4 memory is retained during Hardware Reset and Software Reset.
	2	DSP4_SYS_ENA	0	DSP4 Clock Enable 0 = Disabled 1 = Enabled The DSP4 Clock must be enabled for DSP4 firmware register access, code execution, or DMA operation. The DSP4 Core must be reset (by writing DSP4_CORE_ENA=0) when disabling the DSP4 Clock.
R5121 (1401h) DSP4 Clocking 1	2:0	DSP4_CLK_SEL [2:0]	000	DSP4 Clock Frequency Select 000 = 6.144MHz (5.6448MHz) 001 = 12.288MHz (11.2896MHz) 010 = 24.576MHz (22.5792MHz) 011 = 49.152MHz (45.1584MHz) 100 = 73.728MHz (67.7376MHz) 101 = 98.304MHz (90.3168MHz) 110 = 147.456MHz (135.4752MHz) 111 = Reserved The DSP4 Clock must be less than or equal to the SYSCLK frequency. The frequencies must also be integer-related (eg. divide by 1, 2, 3 etc.). The frequencies in brackets apply for 44.1kHz-related sample rates only (ie. SAMPLE_RATE_n = 01XXX).
R5124 (1404h) DSP4 Status 1	0	DSP4_RAM_RD Y	0	DSP4 Memory Status 0 = Not ready 1 = Ready Note - DSP4 memory should not be accessed until this bit has been set.
R5126 (1406h) DSP4 Status 3	3:1	DSP4_CLK_SEL _STS [2:0]	000	DSP4 Clock Frequency (Read only, Only valid when the respective DSP Clock is enabled)  000 = 6.144MHz (5.6448MHz) 001 = 12.288MHz (11.2896MHz) 010 = 24.576MHz (22.5792MHz) 011 = 49.152MHz (45.1584MHz) 100 = 73.728MHz (67.7376MHz) 101 = 98.304MHz (90.3168MHz) 110 = 147.456MHz (135.4752MHz) 111 = Reserved  The frequencies in brackets apply for 44.1kHz-related sample rates only (ie. SAMPLE_RATE_n = 01XXX).



REGISTER ADDRESS	BIT	LABEL	DEFAULT	DESCRIPTION
	0	DSP4_CLK_AVALAIL	0	DSP4 Clock Availability (Read only) 0 = No Clock 1 = Clock Available Note – this bit exists for legacy software support only; it is not recommended for future designs, as the readback may be unreliable on the latest device architectures.

**Table 27 DSP Clocking Control**

### DSP FIRMWARE EXECUTION

After the DSP firmware has been loaded, and the clocks configured, the DSP blocks are enabled using the DSPn\_CORE\_ENA register bits. When the DSP is configured and enabled, the firmware execution can be started by writing '1' to the respective DSPn\_START bit.

Alternative methods to trigger the firmware execution can also be configured using the DSPn\_START\_IN\_SEL register fields. Note that this provides the capability to synchronously trigger multiple DSP blocks.

Using the DSPn\_START\_IN\_SEL registers, the DSP firmware execution can be linked to the respective DMA function, the IRQ2 status, or to configurable 'DSPn Start' signals from another DSP. The 'DSPn Start' signals are generated within the DSP cores, enabling any of the DSP blocks to trigger code execution in another DSP.

The DSPn\_CORE\_ENA bit must be set to '1' to enable firmware execution on the respective DSP block. Note that the usage of the DSPn\_START bit may vary depending on the particular software that is being executed: in some applications (eg. when an alternative trigger is selected using DSPn\_START\_IN\_SEL), writing to the DSPn\_START bit will not be required.

For read/write access to the DSP firmware memory registers, the respective firmware execution must be disabled by setting the DSPn\_CORE\_ENA bit to '0'.

The audio signal paths connecting to/from the DSP processing blocks are configured as described in the "Digital Core" section. Note that the DSP firmware must be loaded and enabled before audio signal paths can be enabled.

REGISTER ADDRESS	BIT	LABEL	DEFAULT	DESCRIPTION
R4352 (1100h) DSP1 Control 1	1	DSP1_CORE_ENA	0	DSP1 Enable Controls the DSP1 firmware execution 0 = Disabled 1 = Enabled
	0	DSP1_START		DSP1 Start Write '1' to Start DSP1 firmware execution
R4408 (1138h)	3:0	DSP1_START_IN_SEL [3:0]	0h	DSP1 Firmware Execution control Selects the trigger for DSP1 firmware execution. 0 = DMA 3 = DSP2 Start 1 4 = DSP2 Start 2 5 = DSP3 Start 1 6 = DSP3 Start 2 7 = DSP4 Start 1 8 = DSP4 Start 2 11 = IRQ2 All other codes are Reserved. Note that the DSP1_START bit will also start the DSP1 firmware execution, regardless of this register setting.

REGISTER ADDRESS	BIT	LABEL	DEFAULT	DESCRIPTION
R4608 (1200h) DSP2 Control 1	1	DSP2_CORE_EN A	0	DSP2 Enable Controls the DSP2 firmware execution 0 = Disabled 1 = Enabled
	0	DSP2_START		DSP2 Start Write '1' to Start DSP2 firmware execution
R4664 (1238h)	3:0	DSP2_START_IN _SEL [3:0]	0h	DSP2 Firmware Execution control Selects the trigger for DSP2 firmware execution. 0 = DMA 1 = DSP1 Start 1 2 = DSP1 Start 2 5 = DSP3 Start 1 6 = DSP3 Start 2 7 = DSP4 Start 1 8 = DSP4 Start 2 11 = IRQ2 All other codes are Reserved. Note that the DSP2_START bit will also start the DSP2 firmware execution, regardless of this register setting.
R4864 (1300h) DSP3 Control 1	1	DSP3_CORE_EN A	0	DSP3 Enable Controls the DSP3 firmware execution 0 = Disabled 1 = Enabled
	0	DSP3_START		DSP3 Start Write '1' to Start DSP3 firmware execution
R4920 (1338h)	3:0	DSP3_START_IN _SEL [3:0]	0h	DSP3 Firmware Execution control Selects the trigger for DSP3 firmware execution. 0 = DMA 1 = DSP1 Start 1 2 = DSP1 Start 2 3 = DSP2 Start 1 4 = DSP2 Start 2 7 = DSP4 Start 1 8 = DSP4 Start 2 11 = IRQ2 All other codes are Reserved. Note that the DSP3_START bit will also start the DSP3 firmware execution, regardless of this register setting.
R5120 (1400h) DSP4 Control 1	1	DSP4_CORE_EN A	0	DSP4 Enable Controls the DSP4 firmware execution 0 = Disabled 1 = Enabled
	0	DSP4_START		DSP4 Start Write '1' to Start DSP4 firmware execution

REGISTER ADDRESS	BIT	LABEL	DEFAULT	DESCRIPTION
R5176 (1438h)	3:0	DSP4_START_IN_SEL [3:0]	0h	DSP4 Firmware Execution control Selects the trigger for DSP4 firmware execution. 0 = DMA 1 = DSP1 Start 1 2 = DSP1 Start 2 3 = DSP2 Start 1 4 = DSP2 Start 2 5 = DSP3 Start 1 6 = DSP3 Start 2 11 = IRQ2 All other codes are Reserved. Note that the DSP4_START bit will also start the DSP4 firmware execution, regardless of this register setting.

**Table 28 DSP Firmware Execution**

### DSP DIRECT MEMORY ACCESS (DMA) CONTROL

Each DSP provides a multi-channel DMA function; this is configured using the registers described in Table 29.

There are 8 WDMA (DSP input) and 6 RDMA (DSP output) channels for each DSP; these are enabled using the DSPn\_WDMA\_CHANNEL\_ENABLE and DSPn\_RDMA\_CHANNEL\_ENABLE fields. The status of each WDMA channel is indicated in DSPn\_WDMA\_ACTIVE\_CHANNELS.

The DMA can access the X data memory or Y data memory associated with the respective DSP. The applicable memory is selected using bit [15] of the respective \*\_START\_ADDRESS register.

The start address of each DMA channel is configured as described in Table 29. Note that the required address is defined relative to the base address of the selected (X data or Y data) memory.

The buffer length of the DMA channels is configured using the DSPn\_WDMA\_BUFFER\_LENGTH field. The selected buffer length applies to all enabled WDMA or RDMA channels.

Note that the start address registers, and WDMA buffer length registers, are defined in 24-bit DSP data word units. This means that the LSB of these fields represents one 24-bit DSP memory word. (Note that this differs from the WM8281 register map layout, as described in Table 26).

The parameters of a DMA channel (ie. Start Address or Offset Address) must not be changed whilst the respective DMA is enabled. All of the DMA channels must be disabled before changing the WDMA buffer length.

Each DMA channel uses a twin buffer mechanism to support uninterrupted data flow through the DSP. The buffers are called 'ping' and 'pong' respectively, and are of configurable size, as noted above. Data is transferred to/from each of the buffers in turn.

When the 'ping' input data buffer is full, the DSPn\_PING\_FULL bit will be asserted (set to '1'), and a 'DSP Start' signal will be generated. The 'Start' signal from the DMA is typically used to start Firmware execution, as noted in Table 28. Meanwhile, further DSP input data will be filling up the 'pong' buffer.

When the 'pong' input buffer is full, the DSPn\_PONG\_FULL bit will be asserted, and another 'DSP Start' signal will be generated. The DSP Firmware must take care to read the input data from the applicable buffer, in accordance with the DSPn\_PING\_FULL and DSPn\_PONG\_FULL status bits.

Twin buffers are also used on the DSP output (RDMA) channels. The output 'ping' buffers are emptied at the same time as the input 'ping' buffers are filled; the output 'pong' buffers are emptied at the same time as the input 'pong' buffers are filled.

Further details of the DMA are provided in the software programming guide - please contact your local Cirrus Logic representative if required.

REGISTER ADDRESS	BIT	LABEL	DEFAULT	DESCRIPTION
R4357 (1105h) DSP1 Status 2	15	DSP1_PING_FU LL	0	DSP1 WDMA Ping Buffer Status 0 = Not Full 1 = Full
	14	DSP1_PONG_FU LL	0	DSP1 WDMA Pong Buffer Status 0 = Not Full 1 = Full
	7:0	DSP1_WDMA_A CTIVE_CHANNE LS [7:0]	00h	DSP1 WDMA Channel Status There are 8 WDMA channels; each bit of this field indicates the status of the respective WDMA channel. Each bit is coded as: 0 = Inactive 1 = Active
R4368 (1110h) to R4375 (1117h)	15:0	DSP1_START_A DDRESS_WDMA _BUFFER_n [15:0]	0000h	DSP1 WDMA Channel n Start Address  Bit [15] = Memory select 0 = X Data memory 1 = Y Data memory  Bits [14:0] = Address select The address is defined relative to the base address of the applicable data memory. The LSB represents one 24-bit DSP memory word. Note that the start address is also controlled by the respective DSP1_WDMA_CHANNEL_OFFSET bit.
R4384 (1120h) to R4389 (1125h)	15:0	DSP1_START_A DDRESS_RDMA _BUFFER_n [15:0]	0000h	DSP1 RDMA Channel n Start Address  Bit [15] = Memory select 0 = X Data memory 1 = Y Data memory  Bits [14:0] = Address select The address is defined relative to the base address of the applicable data memory. The LSB represents one 24-bit DSP memory word. Note that the start address is also controlled by the respective DSP1_RDMA_CHANNEL_OFFSET bit.
R4400 (1130h) DSP1 WDMA Config 1	13:0	DSP1_WDMA_B UFFER_LENGTH [13:0]	0000h	DSP1 DMA Buffer Length Selects the amount of data transferred in each WDMA channel. The LSB represents one 24-bit DSP memory word.
R4401 (1131h) DSP1 WDMA Config 2	7:0	DSP1_WDMA_C HANNEL_ENABL E [7:0]	00h	DSP1 WDMA Channel Enable There are 8 WDMA channels; each bit of this field enables the respective WDMA channel. Each bit is coded as: 0 = Disabled 1 = Enabled

REGISTER ADDRESS	BIT	LABEL	DEFAULT	DESCRIPTION
R4402 (1132h) DSP1 WDMA Offset 1	7:0	DSP1_WDMA_C HANNEL_OFFSE T [7:0]	00h	DSP1 WDMA Channel Offset There are 8 WDMA channels; each bit of this field offsets the Start Address of the respective WDMA channel. Each bit is coded as: 0 = No offset 1 = Offset by 8000h
R4404 (1134h) DSP1 RDMA Config 1	5:0	DSP1_RDMA_C HANNEL_ENABL E [5:0]	00h	DSP1 RDMA Channel Enable There are 6 RDMA channels; each bit of this field enables the respective RDMA channel. Each bit is coded as: 0 = Disabled 1 = Enabled
R4405 (1135h) DSP1 RDMA Offset 1	5:0	DSP1_RDMA_C HANNEL_OFFSE T [5:0]	00h	DSP1 RDMA Channel Offset There are 6 RDMA channels; each bit of this field offsets the Start Address of the respective RDMA channel. Each bit is coded as: 0 = No offset 1 = Offset by 8000h
R4613 (1205h) DSP2 Status 2	15	DSP2_PING_FU LL	0	DSP2 WDMA Ping Buffer Status 0 = Not Full 1 = Full
	14	DSP2_PONG_FU LL	0	DSP2 WDMA Pong Buffer Status 0 = Not Full 1 = Full
	7:0	DSP2_WDMA_A CTIVE_CHANNE LS [7:0]	00h	DSP2 WDMA Channel Status There are 8 WDMA channels; each bit of this field indicates the status of the respective WDMA channel. Each bit is coded as: 0 = Inactive 1 = Active
R4624 (1210h) to R4631 (1217h)	15:0	DSP2_START_A DDRESS_WDMA _BUFFER_n [15:0]	0000h	DSP2 WDMA Channel n Start Address  Bit [15] = Memory select 0 = X Data memory 1 = Y Data memory  Bits [14:0] = Address select The address is defined relative to the base address of the applicable data memory. The LSB represents one 24-bit DSP memory word. Note that the start address is also controlled by the respective DSP2_WDMA_CHANNEL_OFFSET bit.

REGISTER ADDRESS	BIT	LABEL	DEFAULT	DESCRIPTION
R4640 (1220h) to R4645 (1225h)	15:0	DSP2_START_ADDRESS_RDMA_BUFFER_n [15:0]	0000h	DSP2 RDMA Channel n Start Address  Bit [15] = Memory select 0 = X Data memory 1 = Y Data memory  Bits [14:0] = Address select The address is defined relative to the base address of the applicable data memory. The LSB represents one 24-bit DSP memory word. Note that the start address is also controlled by the respective DSP2_RDMA_CHANNEL_OFFSET bit.
R4656 (1230h) DSP2 WDMA Config 1	13:0	DSP2_WDMA_BUFFER_LENGTH [13:0]	0000h	DSP2 DMA Buffer Length Selects the amount of data transferred in each WDMA channel. The LSB represents one 24-bit DSP memory word.
R4657 (1231h) DSP2 WDMA Config 2	7:0	DSP2_WDMA_CHANNEL_ENABLE [7:0]	00h	DSP2 WDMA Channel Enable There are 8 WDMA channels; each bit of this field enables the respective WDMA channel. Each bit is coded as: 0 = Disabled 1 = Enabled
R4658 (1232h) DSP2 WDMA Offset 1	7:0	DSP2_WDMA_CHANNEL_OFFSET [7:0]	00h	DSP2 WDMA Channel Offset There are 8 WDMA channels; each bit of this field offsets the Start Address of the respective WDMA channel. Each bit is coded as: 0 = No offset 1 = Offset by 8000h
R4660 (1234h) DSP2 RDMA Config 1	5:0	DSP2_RDMA_CHANNEL_ENABLE [5:0]	00h	DSP2 RDMA Channel Enable There are 6 RDMA channels; each bit of this field enables the respective RDMA channel. Each bit is coded as: 0 = Disabled 1 = Enabled
R4661 (1235h) DSP2 RDMA Offset 1	5:0	DSP2_RDMA_CHANNEL_OFFSET [5:0]	00h	DSP2 RDMA Channel Offset There are 6 RDMA channels; each bit of this field offsets the Start Address of the respective RDMA channel. Each bit is coded as: 0 = No offset 1 = Offset by 8000h
R4869 (1305h) DSP3 Status 2	15	DSP3_PING_FULL	0	DSP3 WDMA Ping Buffer Status 0 = Not Full 1 = Full
	14	DSP3_PONG_FULL	0	DSP3 WDMA Pong Buffer Status 0 = Not Full 1 = Full

REGISTER ADDRESS	BIT	LABEL	DEFAULT	DESCRIPTION
	7:0	DSP3_WDMA_ACTIVE_CHANNELS [7:0]	00h	DSP3 WDMA Channel Status There are 8 WDMA channels; each bit of this field indicates the status of the respective WDMA channel. Each bit is coded as: 0 = Inactive 1 = Active
R4880 (1310h) to R4887 (1317h)	15:0	DSP3_START_ADDRESS_WDMA_BUFFER_n [15:0]	0000h	DSP3 WDMA Channel n Start Address  Bit [15] = Memory select 0 = X Data memory 1 = Y Data memory  Bits [14:0] = Address select The address is defined relative to the base address of the applicable data memory. The LSB represents one 24-bit DSP memory word. Note that the start address is also controlled by the respective DSP3_WDMA_CHANNEL_OFFSET bit.
R4896 (1320h) to R4901 (1325h)	15:0	DSP3_START_ADDRESS_RDMA_BUFFER_n [15:0]	0000h	DSP3 RDMA Channel n Start Address  Bit [15] = Memory select 0 = X Data memory 1 = Y Data memory  Bits [14:0] = Address select The address is defined relative to the base address of the applicable data memory. The LSB represents one 24-bit DSP memory word. Note that the start address is also controlled by the respective DSP3_RDMA_CHANNEL_OFFSET bit.
R4912 (1330h) DSP3 WDMA Config 1	13:0	DSP3_WDMA_BUFFER_LENGTH [13:0]	0000h	DSP3 DMA Buffer Length Selects the amount of data transferred in each WDMA channel. The LSB represents one 24-bit DSP memory word.
R4913 (1331h) DSP3 WDMA Config 2	7:0	DSP3_WDMA_CHANNEL_ENABLE [7:0]	00h	DSP3 WDMA Channel Enable There are 8 WDMA channels; each bit of this field enables the respective WDMA channel. Each bit is coded as: 0 = Disabled 1 = Enabled
R4914 (1332h) DSP3 WDMA Offset 1	7:0	DSP3_WDMA_CHANNEL_OFFSET [7:0]	00h	DSP3 WDMA Channel Offset There are 8 WDMA channels; each bit of this field offsets the Start Address of the respective WDMA channel. Each bit is coded as: 0 = No offset 1 = Offset by 8000h

REGISTER ADDRESS	BIT	LABEL	DEFAULT	DESCRIPTION
R4916 (1334h) DSP3 RDMA Config 1	5:0	DSP3_RDMA_C HANNEL_ENABL E [5:0]	00h	DSP3 RDMA Channel Enable There are 6 RDMA channels; each bit of this field enables the respective RDMA channel. Each bit is coded as: 0 = Disabled 1 = Enabled
R4917 (1335h) DSP3 RDMA Offset 1	5:0	DSP3_RDMA_C HANNEL_OFFSE T [5:0]	00h	DSP3 RDMA Channel Offset There are 6 RDMA channels; each bit of this field offsets the Start Address of the respective RDMA channel. Each bit is coded as: 0 = No offset 1 = Offset by 8000h
R5125 (1405h) DSP4 Status 2	15	DSP4_PING_FU LL	0	DSP4 WDMA Ping Buffer Status 0 = Not Full 1 = Full
	14	DSP4_PONG_FU LL	0	DSP4 WDMA Pong Buffer Status 0 = Not Full 1 = Full
	7:0	DSP4_WDMA_A CTIVE_CHANNE LS [7:0]	00h	DSP4 WDMA Channel Status There are 8 WDMA channels; each bit of this field indicates the status of the respective WDMA channel. Each bit is coded as: 0 = Inactive 1 = Active
R5136 (1410h) to R5143 (1417h)	15:0	DSP4_START_A DDRESS_WDMA _BUFFER_n [15:0]	0000h	DSP4 WDMA Channel n Start Address  Bit [15] = Memory select 0 = X Data memory 1 = Y Data memory  Bits [14:0] = Address select The address is defined relative to the base address of the applicable data memory. The LSB represents one 24-bit DSP memory word. Note that the start address is also controlled by the respective DSP4_WDMA_CHANNEL_OFFSET bit.
R5152 (1420h) to R5157 (1425h)	15:0	DSP4_START_A DDRESS_RDMA _BUFFER_n [15:0]	0000h	DSP4 RDMA Channel n Start Address  Bit [15] = Memory select 0 = X Data memory 1 = Y Data memory  Bits [14:0] = Address select The address is defined relative to the base address of the applicable data memory. The LSB represents one 24-bit DSP memory word. Note that the start address is also controlled by the respective DSP4_RDMA_CHANNEL_OFFSET bit.



REGISTER ADDRESS	BIT	LABEL	DEFAULT	DESCRIPTION
R5168 (1430h) DSP4 WDMA Config 1	13:0	DSP4_WDMA_BUFFER_LENGTH [13:0]	0000h	DSP4 DMA Buffer Length Selects the amount of data transferred in each WDMA channel. The LSB represents one 24-bit DSP memory word.
R5169 (1431h) DSP4 WDMA Config 2	7:0	DSP4_WDMA_CHANNEL_ENABLE [7:0]	00h	DSP4 WDMA Channel Enable There are 8 WDMA channels; each bit of this field enables the respective WDMA channel. Each bit is coded as: 0 = Disabled 1 = Enabled
R5170 (1432h) DSP4 WDMA Offset 1	7:0	DSP4_WDMA_CHANNEL_OFFSET [7:0]	00h	DSP4 WDMA Channel Offset There are 8 WDMA channels; each bit of this field offsets the Start Address of the respective WDMA channel. Each bit is coded as: 0 = No offset 1 = Offset by 8000h
R5172 (1434h) DSP4 RDMA Config 1	5:0	DSP4_RDMA_CHANNEL_ENABLE [5:0]	00h	DSP4 RDMA Channel Enable There are 6 RDMA channels; each bit of this field enables the respective RDMA channel. Each bit is coded as: 0 = Disabled 1 = Enabled
R5173 (1435h) DSP4 RDMA Offset 1	5:0	DSP4_RDMA_CHANNEL_OFFSET [5:0]	00h	DSP4 RDMA Channel Offset There are 6 RDMA channels; each bit of this field offsets the Start Address of the respective RDMA channel. Each bit is coded as: 0 = No offset 1 = Offset by 8000h

**Table 29 DSP Direct Memory Access (DMA) Control**

### DSP DEBUG SUPPORT

General purpose 'scratch' registers are provided for each DSP. These have no assigned function, and can be used to assist in algorithm development.

The JTAG interface provides test and debug access to the WM8281, as described in the "JTAG Interface" section. The JTAG interface clock can be enabled independently for each DSP core, using the DSPn\_DBG\_CLK\_ENA register bits.

When using the JTAG interface to access any DSP core, the respective DSPn\_DBG\_CLK\_ENA, DSPn\_SYS\_ENA, and DSPn\_CORE\_ENA bits must all be set.

REGISTER ADDRESS	BIT	LABEL	DEFAULT	DESCRIPTION
R4352 (1100h) DSP1 Control 1	3	DSP1_DBG_CLK_ENA	0	DSP1 Debug Clock Enable 0 = Disabled 1 = Enabled
R4416 (1140h) DSP1 Scratch 0	15:0	DSP1_SCRATCH_0 [15:0]	0000h	DSP1 Scratch Register 0

REGISTER ADDRESS	BIT	LABEL	DEFAULT	DESCRIPTION
R4417 (1141h) DSP1 Scratch 1	15:0	DSP1_SCRATCH _1 [15:0]	0000h	DSP1 Scratch Register 1
R4418 (1142h) DSP1 Scratch 2	15:0	DSP1_SCRATCH _2 [15:0]	0000h	DSP1 Scratch Register 2
R4419 (1143h) DSP1 Scratch 3	15:0	DSP1_SCRATCH _3 [15:0]	0000h	DSP1 Scratch Register 3
R4608 (1200h) DSP2 Control 1	3	DSP2_DBG_CLK _ENA	0	DSP2 Debug Clock Enable 0 = Disabled 1 = Enabled
R4672 (1240h) DSP2 Scratch 0	15:0	DSP2_SCRATCH _0 [15:0]	0000h	DSP2 Scratch Register 0
R4673 (1241h) DSP2 Scratch 1	15:0	DSP2_SCRATCH _1 [15:0]	0000h	DSP2 Scratch Register 1
R4674 (1242h) DSP2 Scratch 2	15:0	DSP2_SCRATCH _2 [15:0]	0000h	DSP2 Scratch Register 2
R4675 (1243h) DSP2 Scratch 3	15:0	DSP2_SCRATCH _3 [15:0]	0000h	DSP2 Scratch Register 3
R4864 (1300h) DSP3 Control 1	3	DSP3_DBG_CLK _ENA	0	DSP3 Debug Clock Enable 0 = Disabled 1 = Enabled
R4928 (1340h) DSP3 Scratch 0	15:0	DSP3_SCRATCH _0 [15:0]	0000h	DSP3 Scratch Register 0
R4929 (1341h) DSP3 Scratch 1	15:0	DSP3_SCRATCH _1 [15:0]	0000h	DSP3 Scratch Register 1
R4930 (1342h) DSP3 Scratch 2	15:0	DSP3_SCRATCH _2 [15:0]	0000h	DSP3 Scratch Register 2
R4931 (1343h) DSP3 Scratch 3	15:0	DSP3_SCRATCH _3 [15:0]	0000h	DSP3 Scratch Register 3
R5120 (1400h) DSP4 Control 1	3	DSP4_DBG_CLK _ENA	0	DSP4 Debug Clock Enable 0 = Disabled 1 = Enabled

REGISTER ADDRESS	BIT	LABEL	DEFAULT	DESCRIPTION
R5184 (1440h) DSP4 Scratch 0	15:0	DSP4_SCRATCH _0 [15:0]	0000h	DSP4 Scratch Register 0
R5185 (1441h) DSP4 Scratch 1	15:0	DSP4_SCRATCH _1 [15:0]	0000h	DSP4 Scratch Register 1
R5186 (1442h) DSP4 Scratch 2	15:0	DSP4_SCRATCH _2 [15:0]	0000h	DSP4 Scratch Register 2
R5187 (1443h) DSP4 Scratch 3	15:0	DSP4_SCRATCH _3 [15:0]	0000h	DSP4 Scratch Register 3

**Table 30 DSP Debug Support**

---

## AMBIENT NOISE CANCELLATION

The Cirrus Logic Ambient Noise Cancellation (ANC) processor within the WM8281 provides the capability to improve the intelligibility of a voice call by using destructive interference to reduce the acoustic energy of the ambient sound. The mono ANC capability supports a wide variety of handset applications.

The ANC processor is configured using parameters that are determined during product development and downloaded to the WM8281. The configuration settings are specific to the acoustic properties of the target application. The primary acoustic elements in an application are typically the microphones and the speaker, but other components such as the plastics and the PCBs also have significant importance to the acoustic coefficient data.

Note that the ANC configuration parameters are application-specific, and must be recalculated following any change in the design of the acoustic elements of that application. Any mismatch between the acoustic coefficient data and the target application will give inferior ANC performance.

The ANC processor employs digital circuits to process the ambient noise (microphone) input signal; the noise input path (analogue or digital) is selected as described in Table 6. The selected source is filtered and processed in accordance with the acoustic parameters programmed into the WM8281. The resulting noise cancellation signal can be mixed with the output signal paths using the register bits described in Table 63.

The ANC processor is responsive to variable ambient-noise conditions. Automatic gain adjustment is incorporated to support different handset positions. Dynamic limiter and noise-gate functions are provided, to ensure best performance across a wide range of operating conditions.

Note that the ANC configuration data is lost whenever the DCVDD power domain is removed; the ANC configuration data must be downloaded to the WM8281 each time the device is powered up.

The procedure for configuring the WM8281 ANC functions is tailored to each customer's application; please contact your local Cirrus Logic representative for more details.

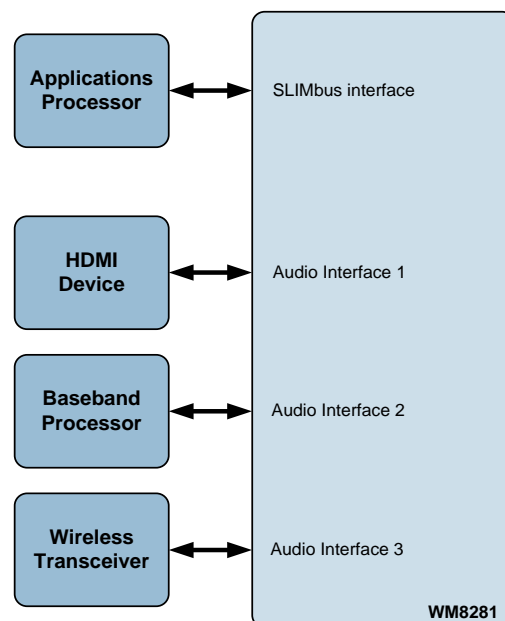
## DIGITAL AUDIO INTERFACE

The WM8281 provides three audio interfaces, AIF1, AIF2 and AIF3. Each of these is independently configurable on the respective transmit (TX) and receive (RX) paths. AIF1 supports up to 8 channels of input and output signal paths; AIF2 supports up to 6 channels of input and output signal paths; AIF3 supports up to 2 channels of input and output signal paths.

The data source(s) for the audio interface transmit (TX) paths can be selected from any of the WM8281 input signal paths, or from the digital core processing functions. The audio interface receive (RX) paths can be selected as inputs to any of the digital core processing functions or digital core outputs. See “Digital Core” for details of the digital core routing options.

The digital audio interfaces provide flexible connectivity for multiple processors and other audio devices. Typical connections include Applications Processor, Baseband Processor and Wireless Transceiver. Note that the SLIMbus interface also provides digital audio input/output paths, providing options for additional interfaces. A typical configuration is illustrated in Figure 42.

The audio interfaces AIF1, AIF2 and AIF3 are referenced to DBVDD1, DBVDD2 and DBVDD3 respectively, allowing the WM8281 to connect between application sub-systems on different voltage domains.



**Figure 42 Typical AIF Connections**

In the general case, the digital audio interface uses four pins:

- TXDAT: Data output
- RXDAT: Data input
- BCLK: Bit clock, for synchronisation
- LRCLK: Left/Right data alignment clock

In master interface mode, the clock signals BCLK and LRCLK are outputs from the WM8281. In slave mode, these signals are inputs, as illustrated below.

As an option, a GPIO pin can be configured as TXLRCLK, ie. the Left/Right clock for the TXDAT output. In this case, the LRCLK pin is dedicated to the RXDAT input, allowing the two sides to be clocked independently.

Four different audio data formats are supported by the digital audio interface:

- DSP mode A
- DSP mode B
- I2S
- Left Justified

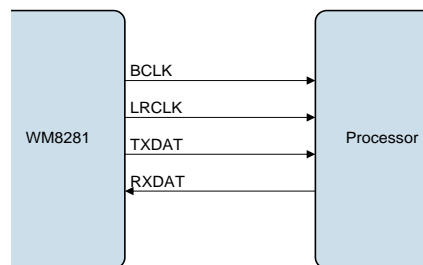
The Left Justified and DSP-B modes are valid in Master mode only (ie. BCLK and LRCLK are outputs from the WM8281). These modes cannot be supported in Slave mode.

All four of these modes are MSB first. Data words are encoded in 2's complement format. Each of the audio interface modes is described in the following sections. Refer to the "Signal Timing Requirements" section for timing information.

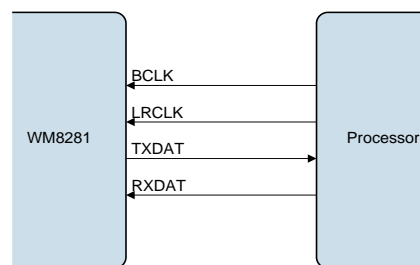
Two variants of DSP mode are supported - 'Mode A' and 'Mode B'. Mono PCM operation can be supported using the DSP modes.

## MASTER AND SLAVE MODE OPERATION

The WM8281 digital audio interfaces can operate as a master or slave as shown in Figure 43 and Figure 44. The associated control bits are described in "Digital Audio Interface Control".



**Figure 43 Master Mode**



**Figure 44 Slave Mode**

## AUDIO DATA FORMATS

The WM8281 digital audio interfaces can be configured to operate in I<sup>2</sup>S, Left-Justified, DSP-A or DSP-B interface modes. Note that Left-Justified and DSP-B modes are valid in Master mode only (ie. BCLK and LRCLK are outputs from the WM8281).

The digital audio interfaces also provide flexibility to support multiple 'slots' of audio data within each LRCLK frame. This flexibility allows multiple audio channels to be supported within a single LRCLK frame.

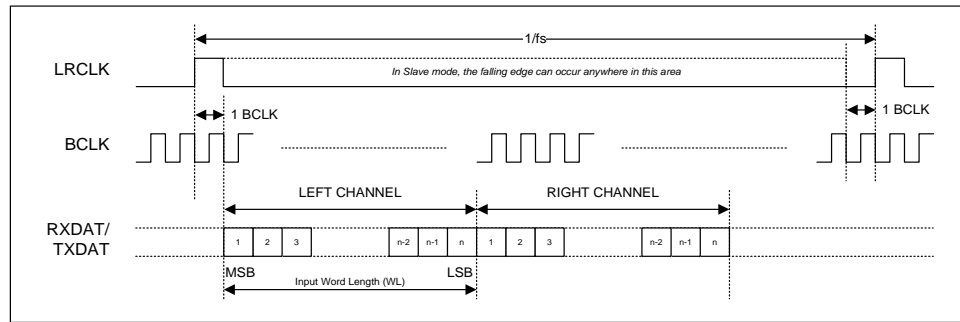
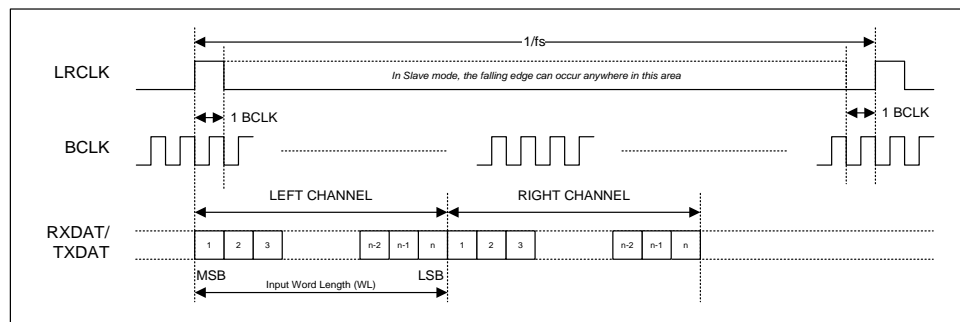
The data formats described in this section are generic descriptions, assuming only one stereo pair of audio samples per LRCLK frame. In these cases, the AIF is configured to transmit (or receive) in the first available position in each frame (ie. the Slot 0 position).

The options for multi-channel operation are described in the following section ("AIF Timeslot Configuration").

The audio data modes supported by the WM8281 are described below. Note that the polarity of the BCLK and LRCLK signals can be inverted if required; the following descriptions all assume the default, non-inverted polarity of these signals.

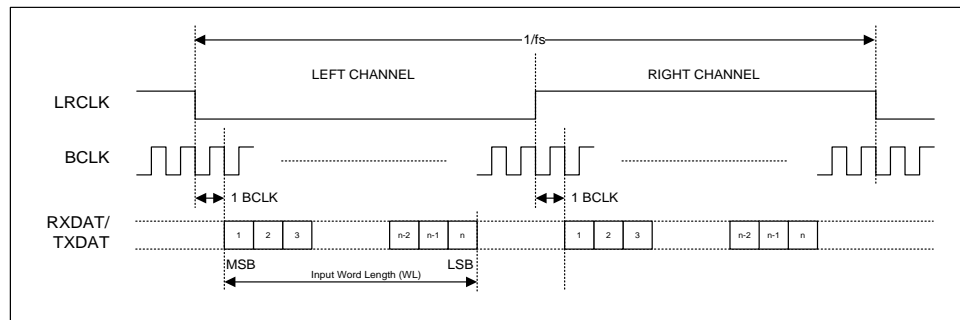
In DSP mode, the left channel MSB is available on either the 1<sup>st</sup> (mode B) or 2<sup>nd</sup> (mode A) rising edge of BCLK following a rising edge of LRCLK. Right channel data immediately follows left channel data. Depending on word length, BCLK frequency and sample rate, there may be unused BCLK cycles between the LSB of the right channel data and the next sample.

In master mode, the LRCLK output will resemble the frame pulse shown in Figure 45 and Figure 46. In slave mode, it is possible to use any length of frame pulse less than 1/fs, providing the falling edge of the frame pulse occurs at least one BCLK period before the rising edge of the next frame pulse.

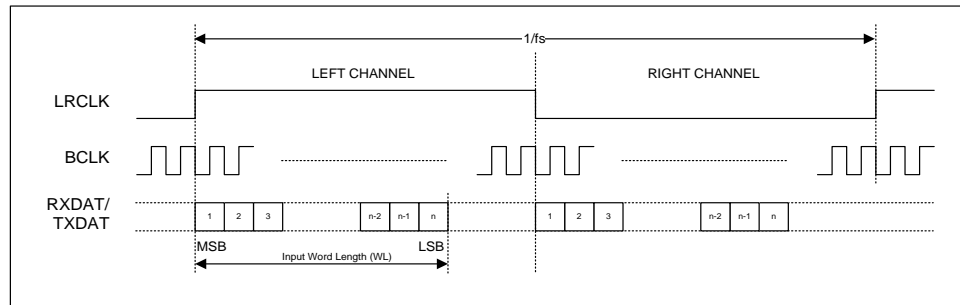

**Figure 45 DSP Mode A Data Format**

**Figure 46 DSP Mode B Data Format**

PCM operation is supported in DSP interface mode. WM8281 data that is output on the Left Channel will be read as mono PCM data by the receiving equipment. Mono PCM data received by the WM8281 will be treated as Left Channel data. This data may be routed to the Left/Right playback paths using the control fields described in the “Digital Core” section.

In I<sup>2</sup>S mode, the MSB is available on the second rising edge of BCLK following a LRCLK transition. The other bits up to the LSB are then transmitted in order. Depending on word length, BCLK frequency and sample rate, there may be unused BCLK cycles between the LSB of one sample and the MSB of the next.


**Figure 47 I2S Data Format (assuming n-bit word length)**

In Left Justified mode, the MSB is available on the first rising edge of BCLK following a LRCLK transition. The other bits up to the LSB are then transmitted in order. Depending on word length, BCLK frequency and sample rate, there may be unused BCLK cycles before each LRCLK transition.



**Figure 48 Left Justified Data Format (assuming n-bit word length)**

### AIF TIMESLOT CONFIGURATION

Digital audio interfaces AIF1 and AIF2 support multi-channel operation; AIF1 supports up to 8 channels of input and output signal paths; AIF2 supports up to 6 channels of input and output signal paths. A high degree of flexibility is provided to define the position of the audio samples within each LRCLK frame; the audio channel samples may be arranged in any order within the frame.

AIF3 also provides flexible configuration options, but supports only 1 stereo input and 1 stereo output path.

Note that, on each interface, all input and output channels must operate at the same sample rate ( $f_s$ ).

Each of the audio channels can be enabled or disabled independently on the transmit (TX) and receive (RX) signal paths. For each enabled channel, the audio samples are assigned to one timeslot within the LRCLK frame.

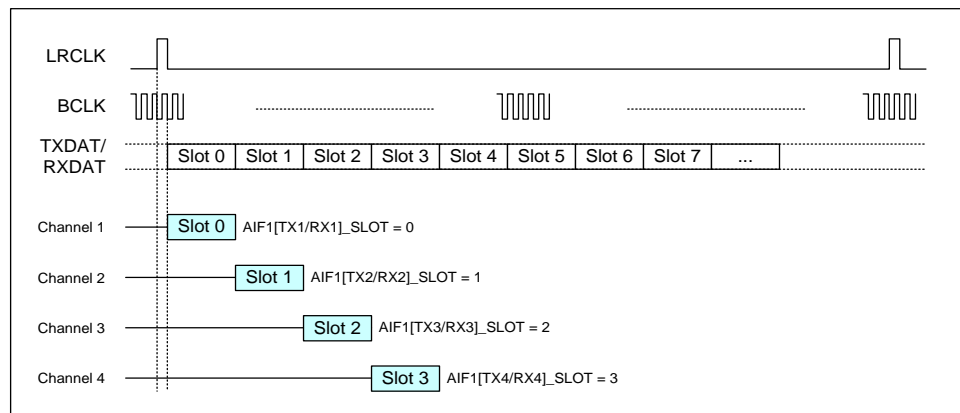
In DSP modes, the timeslots are ordered consecutively from the start of the LRCLK frame. In I2S and Left-Justified modes, the even-numbered timeslots are arranged in the first half of the LRCLK frame, and the odd-numbered timeslots are arranged in the second half of the frame.

The timeslots are assigned independently for the transmit (TX) and receive (RX) signal paths. There is no requirement to assign every available timeslot to an audio sample; some slots may be unused, if desired. Care is required, however, to ensure that no timeslot is allocated to more than one audio channel.

The number of BCLK cycles within a slot is configurable; this is the Slot Length. The number of valid data bits within a slot is also configurable; this is the Word Length. The number of BCLK cycles per LRCLK frame must be configured; it must be ensured that there are enough BCLK cycles within each LRCLK frame to transmit or receive all of the enabled audio channels.

Examples of the AIF Timeslot Configurations are illustrated in Figure 49 to Figure 52. One example is shown for each of the four possible data formats.

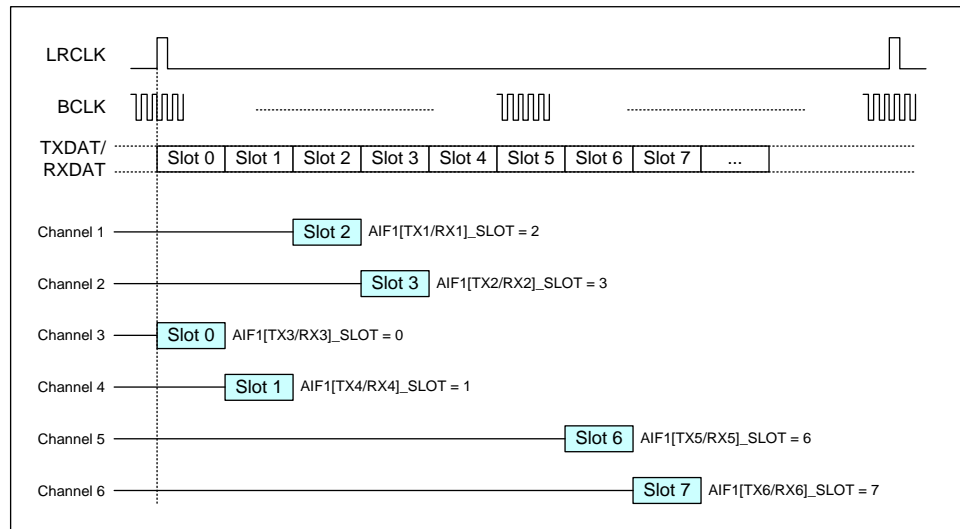
Figure 49 shows an example of DSP Mode A format. Four enabled audio channels are shown, allocated to timeslots 0 through to 3.



**Figure 49 DSP Mode A Example**

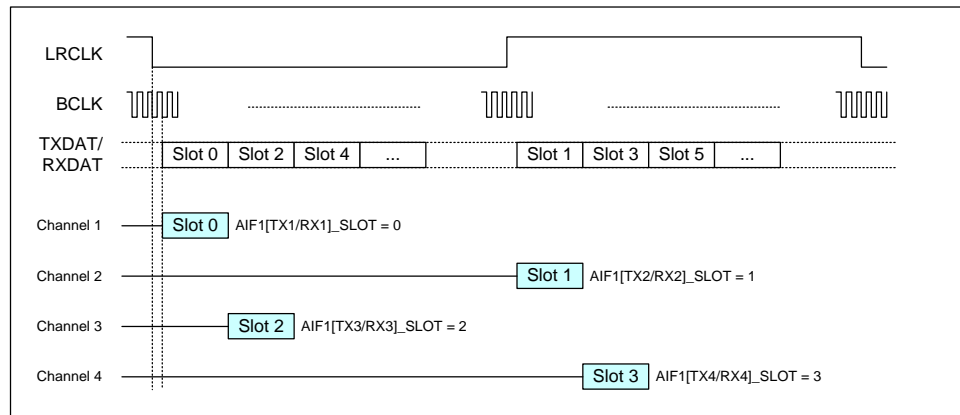


Figure 50 shows an example of DSP Mode B format. Six enabled audio channels are shown, with timeslots 4 and 5 unused.



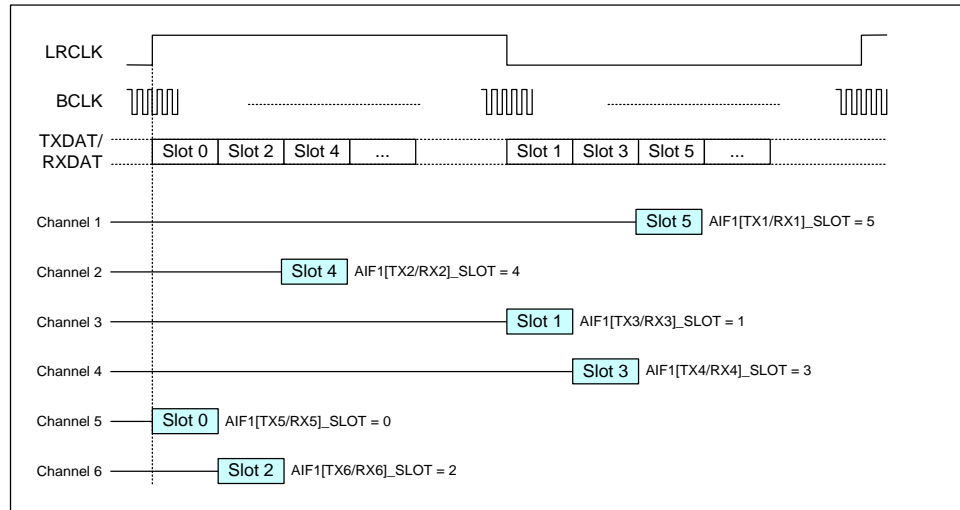
**Figure 50 DSP Mode B Example**

Figure 51 shows an example of I2S format. Four enabled channels are shown, allocated to timeslots 0 through to 3.



**Figure 51 I2S Example**

Figure 52 shows an example of Left Justified format. Six enabled channels are shown.



**Figure 52 Left Justified Example**

### TDM OPERATION BETWEEN THREE OR MORE DEVICES

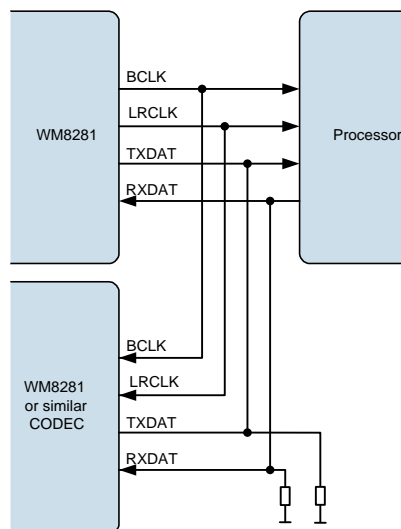
The AIF operation described above illustrates how multiple audio channels can be interleaved on a single TXDAT or RXDAT pin. The interface uses Time Division Multiplexing (TDM) to allocate time periods to each of the audio channels in turn.

This form of TDM is implemented between two devices, using the electrical connections illustrated in Figure 43 or Figure 44.

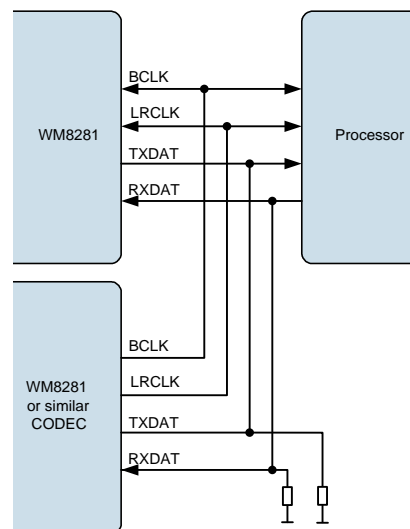
It is also possible to implement TDM between three or more devices. This allows one CODEC to receive audio data from two other devices simultaneously on a single audio interface, as illustrated in Figure 53, Figure 54 and Figure 55.

The WM8281 provides full support for TDM operation. The TXDAT pin can be tri-stated when not transmitting data, in order to allow other devices to transmit on the same wire. The behaviour of the TXDAT pin is configurable, to allow maximum flexibility to interface with other devices in this way.

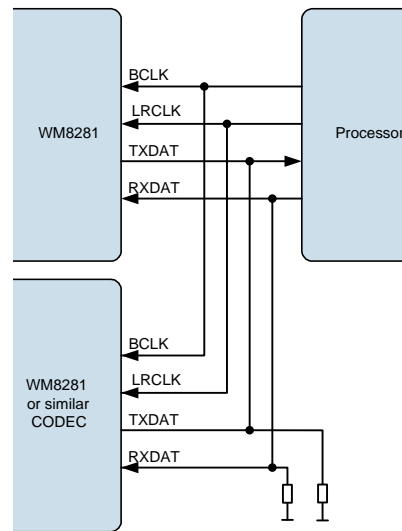
Typical configurations of TDM operation between three devices are illustrated in Figure 53, Figure 54 and Figure 55.



**Figure 53 TDM with WM8281 as Master**



**Figure 54 TDM with Other CODEC as Master**



**Figure 55 TDM with Processor as Master**

**Note:**

The WM8281 is a 24-bit device. If the user operates the WM8281 in 32-bit mode then the 8 LSBs will be ignored on the receiving side and not driven on the transmitting side. It is therefore recommended to add a pull-down resistor if necessary to the RXDAT line and the TXDAT line in TDM mode.

## DIGITAL AUDIO INTERFACE CONTROL

This section describes the configuration of the WM8281 digital audio interface paths.

AIF1 supports up to 8 input signal paths and up to 8 output signal paths; AIF2 supports up to 6 channels of input and output signal paths; AIF3 supports up to 2 channels of input and output signal paths. The digital audio interfaces AIF1, AIF2 and AIF3 can be configured as Master or Slave interfaces; mixed master/slave configurations are also possible.

Each input and output signal path can be independently enabled or disabled. The AIF output (TX) and AIF input (RX) paths can use a common LRCLK frame clock, or can use separate LRCLK signals if required.

The digital audio interface supports flexible data formats, selectable word-length, configurable timeslot allocations and TDM tri-state control.

### AIF SAMPLE RATE CONTROL

The AIF RX inputs may be selected as input to the digital mixers or signal processing functions within the WM8281 digital core. The AIF TX outputs are derived from the respective output mixers.

The sample rate for each digital audio interface AIFn is configured using the respective AIFn\_RATE register - see Table 23 within the "Digital Core" section.

Note that sample rate conversion is required when routing the AIF paths to any signal chain that is asynchronous and/or configured for a different sample rate.

### AIF MASTER / SLAVE CONTROL

The digital audio interfaces can operate in Master or Slave modes and also in mixed master/slave configurations. In Master mode, the BCLK and LRCLK signals are generated by the WM8281 when any of the respective digital audio interface channels is enabled. In Slave mode, these outputs are disabled by default to allow another device to drive these pins.

Master mode is selected on the AIFnBCLK pin using the AIFn\_BCLK\_MSTR register bit. In Master mode, the AIFnBCLK signal is generated by the WM8281 when one or more AIFn channels is enabled.

When the AIFn\_BCLK\_FRC bit is set in BCLK master mode, the AIFnBCLK signal is output at all times, including when none of the AIFn channels is enabled.

The AIFnBCLK signal can be inverted in Master or Slave modes using the AIFn\_BCLK\_INV register.

Master mode is selected on the AIFnLRCLK pin using the AIFnRX\_LRCLK\_MSTR register bit. In Master mode, the AIFnRXLRCLK signal is generated by the WM8281 when one or more AIFn channels is enabled. (Note that, when GPIO<sub>n</sub> is configured as AIFnTXLRCLK, then only the AIFn RX channels will cause AIFnRXLRCLK to be output.)

When the AIFnRX\_LRCLK\_FRC bit is set in LRCLK master mode, the AIFnRXLRCLK signal is output at all times, including when none of the AIFn channels is enabled. Note that AIFnRXLRCLK is derived from AIFnBCLK, and an internal or external AIFnBCLK signal must be present to generate AIFnRXLRCLK.

The AIFnRXLRCLK signal can be inverted in Master or Slave modes using the AIFnRX\_LRCLK\_INV register.

Under default conditions, the AIFn input (RX) and output (TX) paths both use the AIFnRXLRCLK signal as the frame synchronisation clock. The AIFn output (TX) interface can be configured to use a separate frame clock, AIFnTXLRCLK, using the AIFnTX\_LRCLK\_SRC bit.

The AIFnTXLRCLK function, when used, must be selected on the GPIO<sub>n</sub> pin as described in the "General Purpose Input / Output" section.

The AIFnTXLRCLK function can operate in Master or Slave mode, and is controlled similarly to the AIFnRXLRCLK function using the register bits described in Table 31, Table 32 and Table 33 for AIF1, AIF2 and AIF3 respectively.

REGISTER ADDRESS	BIT	LABEL	DEFAULT	DESCRIPTION
R1280 (0500h) AIF1 BCLK Ctrl	7	AIF1_BCLK_INV	0	AIF1 Audio Interface BCLK Invert 0 = AIF1BCLK not inverted 1 = AIF1BCLK inverted
	6	AIF1_BCLK_FRC	0	AIF1 Audio Interface BCLK Output Control 0 = Normal 1 = AIF1BCLK always enabled in Master mode
	5	AIF1_BCLK_MSTR	0	AIF1 Audio Interface BCLK Master Select 0 = AIF1BCLK Slave mode 1 = AIF1BCLK Master mode
R1281 (0501h) AIF1 Tx Pin Ctrl	3	AIF1TX_LRCLK_SRC	1	AIF1 Audio Interface TX path LRCLK Select 0 = AIF1TXLRCLK 1 = AIF1RXLRCLK Note that the TXLRCLK function, when used, must be configured on a GPIO pin.
	2	AIF1TX_LRCLK_INV	0	AIF1 Audio Interface TX path LRCLK Invert 0 = AIF1TXLRCLK not inverted 1 = AIF1TXLRCLK inverted
	1	AIF1TX_LRCLK_FRC	0	AIF1 Audio Interface TX path LRCLK Output Control 0 = Normal 1 = AIF1TXLRCLK always enabled in Master mode
	0	AIF1TX_LRCLK_MSTR	0	AIF1 Audio Interface TX path LRCLK Master Select 0 = AIF1TXLRCLK Slave mode 1 = AIF1TXLRCLK Master mode
R1282 (0502h) AIF1 Rx Pin Ctrl	2	AIF1RX_LRCLK_INV	0	AIF1 Audio Interface LRCLK Invert 0 = AIF1RXLRCLK not inverted 1 = AIF1RXLRCLK inverted
	1	AIF1RX_LRCLK_FRC	0	AIF1 Audio Interface LRCLK Output Control 0 = Normal 1 = AIF1RXLRCLK always enabled in Master mode
	0	AIF1RX_LRCLK_MSTR	0	AIF1 Audio Interface LRCLK Master Select 0 = AIF1RXLRCLK Slave mode 1 = AIF1RXLRCLK Master mode

**Table 31 AIF1 Master / Slave Control**

REGISTER ADDRESS	BIT	LABEL	DEFAULT	DESCRIPTION
R1344 (0540h) AIF2 BCLK Ctrl	7	AIF2_BCLK_INV	0	AIF2 Audio Interface BCLK Invert 0 = AIF2BCLK not inverted 1 = AIF2BCLK inverted
	6	AIF2_BCLK_FRC	0	AIF2 Audio Interface BCLK Output Control 0 = Normal 1 = AIF2BCLK always enabled in Master mode
	5	AIF2_BCLK_MSTR	0	AIF2 Audio Interface BCLK Master Select 0 = AIF2BCLK Slave mode 1 = AIF2BCLK Master mode
R1345 (0541h) AIF2 Tx Pin Ctrl	3	AIF2TX_LRCLK_SRC	1	AIF2 Audio Interface TX path LRCLK Select 0 = AIF2TXLRCLK 1 = AIF2RXLRCLK Note that the TXLRCLK function, when used, must be configured on a GPIO pin.
	2	AIF2TX_LRCLK_INV	0	AIF2 Audio Interface TX path LRCLK Invert 0 = AIF2TXLRCLK not inverted 1 = AIF2TXLRCLK inverted
	1	AIF2TX_LRCLK_FRC	0	AIF2 Audio Interface TX path LRCLK Output Control 0 = Normal 1 = AIF2TXLRCLK always enabled in Master mode
	0	AIF2TX_LRCLK_MSTR	0	AIF2 Audio Interface TX path LRCLK Master Select 0 = AIF2TXLRCLK Slave mode 1 = AIF2TXLRCLK Master mode
R1346 (0542h) AIF2 Px Pin Ctrl	2	AIF2RX_LRCLK_INV	0	AIF2 Audio Interface LRCLK Invert 0 = AIF2RXLRCLK not inverted 1 = AIF2RXLRCLK inverted
	1	AIF2RX_LRCLK_FRC	0	AIF2 Audio Interface LRCLK Output Control 0 = Normal 1 = AIF2RXLRCLK always enabled in Master mode
	0	AIF2RX_LRCLK_MSTR	0	AIF2 Audio Interface LRCLK Master Select 0 = AIF2RXLRCLK Slave mode 1 = AIF2RXLRCLK Master mode

**Table 32 AIF2 Master / Slave Control**

REGISTER ADDRESS	BIT	LABEL	DEFAULT	DESCRIPTION
R1408 (0580h) AIF3 BCLK Ctrl	7	AIF3_BCLK_INV	0	AIF3 Audio Interface BCLK Invert 0 = AIF3BCLK not inverted 1 = AIF3BCLK inverted
	6	AIF3_BCLK_FRC	0	AIF3 Audio Interface BCLK Output Control 0 = Normal 1 = AIF3BCLK always enabled in Master mode
	5	AIF3_BCLK_MSTR	0	AIF3 Audio Interface BCLK Master Select 0 = AIF3BCLK Slave mode 1 = AIF3BCLK Master mode
R1409 (0581h) AIF3 Tx Pin Ctrl	3	AIF3TX_LRCLK_SRC	1	AIF3 Audio Interface TX path LRCLK Select 0 = AIF3TXLRCLK 1 = AIF3RXLRCLK Note that the TXLRCLK function, when used, must be configured on a GPIO pin.
	2	AIF3TX_LRCLK_INV	0	AIF3 Audio Interface TX path LRCLK Invert 0 = AIF3TXLRCLK not inverted 1 = AIF3TXLRCLK inverted
	1	AIF3TX_LRCLK_FRC	0	AIF3 Audio Interface TX path LRCLK Output Control 0 = Normal 1 = AIF3TXLRCLK always enabled in Master mode
	0	AIF3TX_LRCLK_MSTR	0	AIF3 Audio Interface TX path LRCLK Master Select 0 = AIF3TXLRCLK Slave mode 1 = AIF3TXLRCLK Master mode
R1410 (0582h) AIF3 Rx Pin Ctrl	2	AIF3RX_LRCLK_INV	0	AIF3 Audio Interface LRCLK Invert 0 = AIF3RXLRCLK not inverted 1 = AIF3RXLRCLK inverted
	1	AIF3RX_LRCLK_FRC	0	AIF3 Audio Interface LRCLK Output Control 0 = Normal 1 = AIF3RXLRCLK always enabled in Master mode
	0	AIF3RX_LRCLK_MSTR	0	AIF3 Audio Interface LRCLK Master Select 0 = AIF3RXLRCLK Slave mode 1 = AIF3RXLRCLK Master mode

**Table 33 AIF3 Master / Slave Control**

**AIF SIGNAL PATH ENABLE**

The AIF1 interface supports up to 8 input (RX) channels and up to 8 output (TX) channels. Each of these channels can be enabled or disabled using the register bits defined in Table 34.

The AIF2 interface supports up to 6 input (RX) channels and up to 6 output (TX) channels. Each of these channels can be enabled or disabled using the register bits defined in Table 35.

The AIF3 interface supports up to 2 input (RX) channels and up to 2 output (TX) channels. Each of these channels can be enabled or disabled using the register bits defined in Table 36.

The system clock, SYSCLK, must be configured and enabled before any audio path is enabled. The ASYNCCLK may also be required, depending on the path configuration. See “Clocking and Sample Rates” for details of the system clocks.

The WM8281 performs automatic checks to confirm that the SYSCLK and ASYNCCLK frequencies are high enough to support the commanded signal paths and processing functions. If an attempt is made to enable an AIF signal path, and there are insufficient SYSCLK or ASYNCCLK cycles to support it, then the attempt will be unsuccessful. (Note that any signal paths that are already active will not be affected under these circumstances.)

The Underclocked Error conditions can be monitored using the GPIO and/or Interrupt functions. See “General Purpose Input / Output” and “Interrupts” for further details.

REGISTER ADDRESS	BIT	LABEL	DEFAULT	DESCRIPTION
R1305 (0519h) AIF1 Tx Enables	7	AIF1TX8_ENA	0	AIF1 Audio Interface TX Channel 8 Enable 0 = Disabled 1 = Enabled
	6	AIF1TX7_ENA	0	AIF1 Audio Interface TX Channel 7 Enable 0 = Disabled 1 = Enabled
	5	AIF1TX6_ENA	0	AIF1 Audio Interface TX Channel 6 Enable 0 = Disabled 1 = Enabled
	4	AIF1TX5_ENA	0	AIF1 Audio Interface TX Channel 5 Enable 0 = Disabled 1 = Enabled
	3	AIF1TX4_ENA	0	AIF1 Audio Interface TX Channel 4 Enable 0 = Disabled 1 = Enabled
	2	AIF1TX3_ENA	0	AIF1 Audio Interface TX Channel 3 Enable 0 = Disabled 1 = Enabled
	1	AIF1TX2_ENA	0	AIF1 Audio Interface TX Channel 2 Enable 0 = Disabled 1 = Enabled
	0	AIF1TX1_ENA	0	AIF1 Audio Interface TX Channel 1 Enable 0 = Disabled 1 = Enabled
R1306 (051Ah) AIF1 Rx Enables	7	AIF1RX8_ENA	0	AIF1 Audio Interface RX Channel 8 Enable 0 = Disabled 1 = Enabled



REGISTER ADDRESS	BIT	LABEL	DEFAULT	DESCRIPTION
	6	AIF1RX7_ENA	0	AIF1 Audio Interface RX Channel 7 Enable 0 = Disabled 1 = Enabled
	5	AIF1RX6_ENA	0	AIF1 Audio Interface RX Channel 6 Enable 0 = Disabled 1 = Enabled
	4	AIF1RX5_ENA	0	AIF1 Audio Interface RX Channel 5 Enable 0 = Disabled 1 = Enabled
	3	AIF1RX4_ENA	0	AIF1 Audio Interface RX Channel 4 Enable 0 = Disabled 1 = Enabled
	2	AIF1RX3_ENA	0	AIF1 Audio Interface RX Channel 3 Enable 0 = Disabled 1 = Enabled
	1	AIF1RX2_ENA	0	AIF1 Audio Interface RX Channel 2 Enable 0 = Disabled 1 = Enabled
	0	AIF1RX1_ENA	0	AIF1 Audio Interface RX Channel 1 Enable 0 = Disabled 1 = Enabled

**Table 34 AIF1 Signal Path Enable**

REGISTER ADDRESS	BIT	LABEL	DEFAULT	DESCRIPTION
R1369 (0559h) AIF2 TX Enables	5	AIF2TX6_ENA	0	AIF2 Audio Interface TX Channel 6 Enable 0 = Disabled 1 = Enabled
	4	AIF2TX5_ENA	0	AIF2 Audio Interface TX Channel 5 Enable 0 = Disabled 1 = Enabled
	3	AIF2TX4_ENA	0	AIF2 Audio Interface TX Channel 4 Enable 0 = Disabled 1 = Enabled
	2	AIF2TX3_ENA	0	AIF2 Audio Interface TX Channel 3 Enable 0 = Disabled 1 = Enabled
	1	AIF2TX2_ENA	0	AIF2 Audio Interface TX Channel 2 Enable 0 = Disabled 1 = Enabled
	0	AIF2TX1_ENA	0	AIF2 Audio Interface TX Channel 1 Enable 0 = Disabled 1 = Enabled

REGISTER ADDRESS	BIT	LABEL	DEFAULT	DESCRIPTION
R1370 (055Ah) AIF2 RX Enables	5	AIF2RX6_ENA	0	AIF2 Audio Interface RX Channel 6 Enable 0 = Disabled 1 = Enabled
	4	AIF2RX5_ENA	0	AIF2 Audio Interface RX Channel 5 Enable 0 = Disabled 1 = Enabled
	3	AIF2RX4_ENA	0	AIF2 Audio Interface RX Channel 4 Enable 0 = Disabled 1 = Enabled
	2	AIF2RX3_ENA	0	AIF2 Audio Interface RX Channel 3 Enable 0 = Disabled 1 = Enabled
	1	AIF2RX2_ENA	0	AIF2 Audio Interface RX Channel 2 Enable 0 = Disabled 1 = Enabled
	0	AIF2RX1_ENA	0	AIF2 Audio Interface RX Channel 1 Enable 0 = Disabled 1 = Enabled

**Table 35 AIF2 Signal Path Enable**

REGISTER ADDRESS	BIT	LABEL	DEFAULT	DESCRIPTION
R1433 (0599h) AIF3 TX Enables	1	AIF3TX2_ENA	0	AIF3 Audio Interface TX Channel 2 Enable 0 = Disabled 1 = Enabled
	0	AIF3TX1_ENA	0	AIF3 Audio Interface TX Channel 1 Enable 0 = Disabled 1 = Enabled
R1434 (059Ah) AIF3 RX Enables	1	AIF3RX2_ENA	0	AIF3 Audio Interface RX Channel 2 Enable 0 = Disabled 1 = Enabled
	0	AIF3RX1_ENA	0	AIF3 Audio Interface RX Channel 1 Enable 0 = Disabled 1 = Enabled

**Table 36 AIF3 Signal Path Enable**

### AIF BCLK AND LRCLK CONTROL

The AIFnBCLK frequency is selected by the AIFn\_BCLK\_FREQ register. For each value of this register, the actual frequency depends upon whether AIFn is configured for a 48kHz-related sample rate or a 44.1kHz-related sample rate, as described below.

If AIFn\_RATE < 1000 (see Table 23), then AIFn is referenced to the SYSCLK clocking domain and the applicable frequency depends upon the SAMPLE\_RATE\_1, SAMPLE\_RATE\_2 or SAMPLE\_RATE\_3 registers.

If AIFn\_RATE ≥ 1000, then AIFn is referenced to the ASYNCCLK clocking domain and the applicable frequency depends upon the ASYNC\_SAMPLE\_RATE\_1 or ASYNC\_SAMPLE\_RATE\_2 registers.

The selected AIFnBCLK rate must be less than or equal to SYSCLK/2, or ASYNCCLK/2, as applicable. See “Clocking and Sample Rates” for details of SYSCLK and ASYNCCLK domains, and the associated control registers.

The AIFnRXLRCLK frequency is controlled relative to AIFnBCLK by the AIFnRX\_BCPF divider.

Under default conditions, the AIFn input (RX) and output (TX) paths both use the AIFnRXLRCLK signal as the frame synchronisation clock. The AIFn output (TX) interface can be configured to use a separate frame clock, AIFnTXLRCLK, using the AIFnTX\_LRCLK\_SRC bit, as described in Table 31, Table 32 and Table 33 for AIF1, AIF2 and AIF3 respectively.

When the GPIO<sub>n</sub> pin is configured as AIFnTXLRCLK, then the AIFnTXLRCLK frequency is controlled relative to AIFnBCLK by the AIFnTX\_BCPF divider. See “General Purpose Input / Output” for details of how to configure the GPIO1, GPIO2 or GPIO3 pins.

Note that the BCLK rate must be configured in Master or Slave modes, using the AIFn\_BCLK\_FREQ registers. The LRCLK rate(s) only require to be configured in Master mode.

REGISTER ADDRESS	BIT	LABEL	DEFAULT	DESCRIPTION
R1280 (0500h) AIF1 BCLK Ctrl	4:0	AIF1_BCLK_FRE Q [4:0]	01100	<p>AIF1BCLK Rate</p> <p>00000 = Reserved 00001 = Reserved 00010 = 64kHz (58.8kHz) 00011 = 96kHz (88.2kHz) 00100 = 128kHz (117.6kHz) 00101 = 192kHz (176.4kHz) 00110 = 256kHz (235.2kHz) 00111 = 384kHz (352.8kHz) 01000 = 512kHz (470.4kHz) 01001 = 768kHz (705.6kHz) 01010 = 1.024MHz (940.8kHz) 01011 = 1.536MHz (1.4112MHz) 01100 = 2.048MHz (1.8816MHz) 01101 = 3.072MHz (2.8824MHz) 01110 = 4.096MHz (3.7632MHz) 01111 = 6.144MHz (5.6448MHz) 10000 = 8.192MHz (7.5264MHz) 10001 = 12.288MHz (11.2896MHz) 10010 = 24.576MHz (22.5792MHz)</p> <p>The frequencies in brackets apply for 44.1kHz-related sample rates only.</p> <p>If AIF1_RATE &lt; 1000, then AIF1 is referenced to SYSCLK and the 44.1kHz-related frequencies apply if SAMPLE_RATE_n = 01XXX.</p> <p>If AIF1_RATE ≥ 1000, then AIF1 is referenced to ASYNCCLK and the 44.1kHz-related frequencies apply if ASYNC_SAMPLE_RATE_n = 01XXX.</p> <p>The AIF1BCLK rate must be less than or equal to SYSCLK/2, or ASYNCCLK/2, as applicable.</p>
R1285 (0505h) AIF1 Tx BCLK Rate	12:0	AIF1TX_BCPF [12:0]	0040h	<p>AIF1TXLRCLK Rate</p> <p>This register selects the number of BCLK cycles per AIF1TXLRCLK frame. AIF1TXLRCLK clock = AIF1BCLK / AIF1TX_BCPF Integer (LSB = 1), Valid from 8..8191</p>
R1286 (0506h) AIF1 Tx BCLK Rate	12:0	AIF1RX_BCPF [12:0]	0040h	<p>AIF1RXLRCLK Rate</p> <p>This register selects the number of BCLK cycles per AIF1RXLRCLK frame. AIF1RXLRCLK clock = AIF1BCLK / AIF1RX_BCPF Integer (LSB = 1), Valid from 8..8191</p>

**Table 37 AIF1 BCLK and LRCLK Control**

REGISTER ADDRESS	BIT	LABEL	DEFAULT	DESCRIPTION
R1344 (0540h) AIF2 BCLK Ctrl	4:0	AIF2_BCLK_FRE Q [4:0]	01100	<p>AIF2BCLK Rate</p> <p>00000 = Reserved 00001 = Reserved 00010 = 64kHz (58.8kHz) 00011 = 96kHz (88.2kHz) 00100 = 128kHz (117.6kHz) 00101 = 192kHz (176.4kHz) 00110 = 256kHz (235.2kHz) 00111 = 384kHz (352.8kHz) 01000 = 512kHz (470.4kHz) 01001 = 768kHz (705.6kHz) 01010 = 1.024MHz (940.8kHz) 01011 = 1.536MHz (1.4112MHz) 01100 = 2.048MHz (1.8816MHz) 01101 = 3.072MHz (2.8824MHz) 01110 = 4.096MHz (3.7632MHz) 01111 = 6.144MHz (5.6448MHz) 10000 = 8.192MHz (7.5264MHz) 10001 = 12.288MHz (11.2896MHz) 10010 = 24.576MHz (22.5792MHz)</p> <p>The frequencies in brackets apply for 44.1kHz-related sample rates only.</p> <p>If AIF2_RATE &lt; 1000, then AIF2 is referenced to SYSCLK and the 44.1kHz-related frequencies apply if SAMPLE_RATE_n = 01XXX.</p> <p>If AIF2_RATE ≥ 1000, then AIF2 is referenced to ASYNCCLK and the 44.1kHz-related frequencies apply if ASYNC_SAMPLE_RATE_n = 01XXX.</p> <p>The AIF2BCLK rate must be less than or equal to SYSCLK/2, or ASYNCCLK/2, as applicable.</p>
R1349 (0545h) AIF2 Tx BCLK Rate	12:0	AIF2TX_BCPF [12:0]	0040h	<p>AIF2TXLRCLK Rate</p> <p>This register selects the number of BCLK cycles per AIF2TXLRCLK frame. AIF2TXLRCLK clock = AIF2BCLK / AIF2TX_BCPF Integer (LSB = 1), Valid from 8..8191</p>
R1350 (0546h) AIF2 Rx BCLK Rate	12:0	AIF2RX_BCPF [12:0]	0040h	<p>AIF2RXLRCLK Rate</p> <p>This register selects the number of BCLK cycles per AIF2RXLRCLK frame. AIF2RXLRCLK clock = AIF2BCLK / AIF2RX_BCPF Integer (LSB = 1), Valid from 8..8191</p>

**Table 38 AIF2 BCLK and LRCLK Control**

REGISTER ADDRESS	BIT	LABEL	DEFAULT	DESCRIPTION
R1408 (0580h) AIF3 BCLK Ctrl	4:0	AIF3_BCLK_FRE Q [4:0]	01100	<p>AIF3BCLK Rate</p> <p>00000 = Reserved 00001 = Reserved 00010 = 64kHz (58.8kHz) 00011 = 96kHz (88.2kHz) 00100 = 128kHz (117.6kHz) 00101 = 192kHz (176.4kHz) 00110 = 256kHz (235.2kHz) 00111 = 384kHz (352.8kHz) 01000 = 512kHz (470.4kHz) 01001 = 768kHz (705.6kHz) 01010 = 1.024MHz (940.8kHz) 01011 = 1.536MHz (1.4112MHz) 01100 = 2.048MHz (1.8816MHz) 01101 = 3.072MHz (2.8824MHz) 01110 = 4.096MHz (3.7632MHz) 01111 = 6.144MHz (5.6448MHz) 10000 = 8.192MHz (7.5264MHz) 10001 = 12.288MHz (11.2896MHz) 10010 = 24.576MHz (22.5792MHz)</p> <p>The frequencies in brackets apply for 44.1kHz-related sample rates only.</p> <p>If AIF3_RATE &lt; 1000, then AIF3 is referenced to SYSCLK and the 44.1kHz-related frequencies apply if SAMPLE_RATE_n = 01XXX.</p> <p>If AIF3_RATE ≥ 1000, then AIF3 is referenced to ASYNCCLK and the 44.1kHz-related frequencies apply if ASYNC_SAMPLE_RATE_n = 01XXX.</p> <p>The AIF3BCLK rate must be less than or equal to SYSCLK/2, or ASYNCCLK/2, as applicable.</p>
R1413 (0585h) AIF3 Tx BCLK Rate	12:0	AIF3TX_BCPF [12:0]	0040h	<p>AIF3TXLRCLK Rate</p> <p>This register selects the number of BCLK cycles per AIF3TXLRCLK frame. AIF3TXLRCLK clock = AIF3BCLK / AIF3TX_BCPF Integer (LSB = 1), Valid from 8..8191</p>
R1414 (0586h) AIF3 Rx BCLK Rate	12:0	AIF3RX_BCPF [12:0]	0040h	<p>AIF3RXLRCLK Rate</p> <p>This register selects the number of BCLK cycles per AIF3RXLRCLK frame. AIF3RXLRCLK clock = AIF3BCLK / AIF3RX_BCPF Integer (LSB = 1), Valid from 8..8191</p>

**Table 39 AIF3 BCLK and LRCLK Control**

**AIF DIGITAL AUDIO DATA CONTROL**

The register bits controlling the audio data format, word lengths and slot configurations for AIF1, AIF2 and AIF3 are described in Table 40, Table 41 and Table 42 respectively.

Note that Left-Justified and DSP-B modes are valid in Master mode only (ie. BCLK and LRCLK are outputs from the WM8281).

The AIFn Slot Length is the number of BCLK cycles in one timeslot within the overall LRCLK frame. The Word Length is the number of valid data bits within each timeslot. (If the word length is less than the slot length, then there will be unused BCLK cycles at the end of each timeslot.) The AIFn word length and slot length is independently selectable for the input (RX) and output (TX) paths.

For each AIF input (RX) and AIF output (TX) channel, the position of the audio data sample within the LRCLK frame is configurable. The \_SLOT registers define the timeslot position of the audio sample for the associated audio channel. Valid selections are Slot 0 upwards. The timeslots are numbered as illustrated in Figure 49 through to Figure 52.

Note that, in DSP modes, the timeslots are ordered consecutively from the start of the LRCLK frame. In I2S and Left-Justified modes, the even-numbered timeslots are arranged in the first half of the LRCLK frame, and the odd-numbered timeslots are arranged in the second half of the frame.

REGISTER ADDRESS	BIT	LABEL	DEFAULT	DESCRIPTION
R1284 (0504h) AIF1 Format	2:0	AIF1_FMT [2:0]	000	AIF1 Audio Interface Format 000 = DSP Mode A 001 = DSP Mode B 010 = I <sup>2</sup> S mode 011 = Left Justified mode Other codes are Reserved
R1287 (0507h) AIF1 Frame Ctrl 1	13:8	AIF1TX_WL [5:0]	18h	AIF1 TX Word Length (Number of valid data bits per slot) Integer (LSB = 1); Valid from 16 to 32
	7:0	AIF1TX_SLOT_LEN [7:0]	18h	AIF1 TX Slot Length (Number of BCLK cycles per slot) Integer (LSB = 1); Valid from 16 to 128
R1288 (0508h) AIF1 Frame Ctrl 2	13:8	AIF1RX_WL [5:0]	18h	AIF1 RX Word Length (Number of valid data bits per slot) Integer (LSB = 1); Valid from 16 to 32
	7:0	AIF1RX_SLOT_LEN [7:0]	18h	AIF1 RX Slot Length (Number of BCLK cycles per slot) Integer (LSB = 1); Valid from 16 to 128
R1289 (0509h)  to  R1296 (0510h)	5:0	AIF1TX1_SLOT [5:0]	0h	AIF1 TX Channel n Slot position Defines the TX timeslot position of the Channel n audio sample Integer (LSB=1); Valid from 0 to 63
	5:0	AIF1TX2_SLOT [5:0]	1h	
	5:0	AIF1TX3_SLOT [5:0]	2h	
	5:0	AIF1TX4_SLOT [5:0]	3h	
	5:0	AIF1TX5_SLOT [5:0]	4h	
	5:0	AIF1TX6_SLOT [5:0]	5h	
	5:0	AIF1TX7_SLOT [5:0]	6h	
	5:0	AIF1TX8_SLOT [5:0]	7h	
R1297 (0511h)  to  R1304	5:0	AIF1RX1_SLOT [5:0]	0h	AIF1 RX Channel n Slot position Defines the RX timeslot position of the Channel n audio sample Integer (LSB=1); Valid from 0 to 63
	5:0	AIF1RX2_SLOT [5:0]	1h	
	5:0	AIF1RX3_SLOT [5:0]	2h	

REGISTER ADDRESS	BIT	LABEL	DEFAULT	DESCRIPTION
(0518h)	5:0	AIF1RX4_SLOT [5:0]	3h	
	5:0	AIF1RX5_SLOT [5:0]	4h	
	5:0	AIF1RX6_SLOT [5:0]	5h	
	5:0	AIF1RX7_SLOT [5:0]	6h	
	5:0	AIF1RX8_SLOT [5:0]	7h	

**Table 40 AIF1 Digital Audio Data Control**

REGISTER ADDRESS	BIT	LABEL	DEFAULT	DESCRIPTION
R1348 (0544h) AIF2 Format	2:0	AIF2_FMT [2:0]	000	AIF2 Audio Interface Format 000 = DSP Mode A 001 = DSP Mode B 010 = I <sup>2</sup> S mode 011 = Left Justified mode Other codes are Reserved
R1351 (0547h) AIF2 Frame Ctrl 1	13:8	AIF2TX_WL [5:0]	18h	AIF2 TX Word Length (Number of valid data bits per slot) Integer (LSB = 1); Valid from 16 to 32
	7:0	AIF2TX_SLOT_LEN [7:0]	18h	AIF2 TX Slot Length (Number of BCLK cycles per slot) Integer (LSB = 1); Valid from 16 to 128
R1352 (0548h) AIF2 Frame Ctrl 2	13:8	AIF2RX_WL [5:0]	18h	AIF2 RX Word Length (Number of valid data bits per slot) Integer (LSB = 1); Valid from 16 to 32
	7:0	AIF2RX_SLOT_LEN [7:0]	18h	AIF2 RX Slot Length (Number of BCLK cycles per slot) Integer (LSB = 1); Valid from 16 to 128
R1353 (0549h)  to  R1358 (054Eh)	5:0	AIF2TX1_SLOT [5:0]	0h	AIF2 TX Channel n Slot position Defines the TX timeslot position of the Channel n audio sample Integer (LSB=1); Valid from 0 to 63
	5:0	AIF2TX2_SLOT [5:0]	1h	
	5:0	AIF2TX3_SLOT [5:0]	2h	
	5:0	AIF2TX4_SLOT [5:0]	3h	
	5:0	AIF2TX5_SLOT [5:0]	4h	
	5:0	AIF2TX6_SLOT [5:0]	5h	



REGISTER ADDRESS	BIT	LABEL	DEFAULT	DESCRIPTION
R1361 (0551h)	5:0	AIF2RX1_SLOT [5:0]	0h	AIF2 RX Channel n Slot position Defines the RX timeslot position of the Channel n audio sample Integer (LSB=1); Valid from 0 to 63
to	5:0	AIF2RX2_SLOT [5:0]	1h	
R1366 (0556h)	5:0	AIF2RX3_SLOT [5:0]	2h	
	5:0	AIF2RX4_SLOT [5:0]	3h	
	5:0	AIF2RX5_SLOT [5:0]	4h	
	5:0	AIF2RX6_SLOT [5:0]	5h	

**Table 41 AIF2 Digital Audio Data Control**

REGISTER ADDRESS	BIT	LABEL	DEFAULT	DESCRIPTION
R1412 (0584h) AIF3 Format	2:0	AIF3_FMT [2:0]	000	AIF3 Audio Interface Format 000 = DSP Mode A 001 = DSP Mode B 010 = I <sup>2</sup> S mode 011 = Left Justified mode Other codes are Reserved
R1415 (0587h) AIF3 Frame Ctrl 1	13:8	AIF3TX_WL [5:0]	18h	AIF3 TX Word Length (Number of valid data bits per slot) Integer (LSB = 1); Valid from 16 to 32
	7:0	AIF3TX_SLOT_LEN [7:0]	18h	AIF3 TX Slot Length (Number of BCLK cycles per slot) Integer (LSB = 1); Valid from 16 to 128
R1416 (0588h) AIF3 Frame Ctrl 2	13:8	AIF3RX_WL [5:0]	18h	AIF3 RX Word Length (Number of valid data bits per slot) Integer (LSB = 1); Valid from 16 to 32
	7:0	AIF3RX_SLOT_LEN [7:0]	18h	AIF3 RX Slot Length (Number of BCLK cycles per slot) Integer (LSB = 1); Valid from 16 to 128
R1417 (0589h) AIF3 Frame Ctrl 3	5:0	AIF3TX1_SLOT [5:0]	0h	AIF3 TX Channel 1 Slot position Defines the TX timeslot position of the Channel 1 audio sample Integer (LSB=1); Valid from 0 to 63
R1418 (058Ah) AIF3 Frame Ctrl 4	5:0	AIF3TX2_SLOT [5:0]	1h	AIF3 TX Channel 2 Slot position Defines the TX timeslot position of the Channel 2 audio sample Integer (LSB=1); Valid from 0 to 63
R1425 (0591h) AIF3 Frame Ctrl 11	5:0	AIF3RX1_SLOT [5:0]	0h	AIF3 RX Channel 1 Slot position Defines the RX timeslot position of the Channel 1 audio sample Integer (LSB=1); Valid from 0 to 63
R1426 (0592h) AIF3 Frame Ctrl 12	5:0	AIF3RX2_SLOT [5:0]	1h	AIF3 RX Channel 2 Slot position Defines the RX timeslot position of the Channel 2 audio sample Integer (LSB=1); Valid from 0 to 63

**Table 42 AIF3 Digital Audio Data Control**

**AIF TDM AND TRI-STATE CONTROL**

The AIFn output pins are tri-stated when the AIFn\_TRI register is set. Note that, when a GPIO pin is configured as a GPIO, this pin is not affected by the respective AIFn\_TRI register. See “General Purpose Input / Output” to configure the GPIO pins.

Under default conditions, the AIFnTXDAT output is held at logic 0 when the WM8281 is not transmitting data (ie. during timeslots that are not enabled for output by the WM8281). When the AIFnTX\_DAT\_TRI register is set, the WM8281 tri-states the respective AIFnTXDAT pin when not transmitting data, allowing other devices to drive the AIFnTXDAT connection.

REGISTER ADDRESS	BIT	LABEL	DEFAULT	DESCRIPTION
R1281 (0501h) AIF1 Tx Pin Ctrl	5	AIF1TX_DAT_TR I	0	AIF1TXDAT Tri-State Control 0 = Logic 0 during unused timeslots 1 = Tri-stated during unused timeslots
R1283 (0503h) AIF1 Rate Ctrl	6	AIF1_TRI	0	AIF1 Audio Interface Tri-State Control 0 = Normal 1 = AIF1 Outputs are tri-stated Note that the GPIO1 pin is only tri-stated by this register when it is configured as AIF1TXLRCLK.

**Table 43 AIF1 TDM and Tri-State Control**

REGISTER ADDRESS	BIT	LABEL	DEFAULT	DESCRIPTION
R1345 (0541h) AIF2 Tx Pin Ctrl	5	AIF2TX_DAT_TR I	0	AIF2TXDAT Tri-State Control 0 = Logic 0 during unused timeslots 1 = Tri-stated during unused timeslots
R1347 (0543h) AIF2 Rate Ctrl	6	AIF2_TRI	0	AIF2 Audio Interface Tri-State Control 0 = Normal 1 = AIF2 Outputs are tri-stated Note that the GPIO2 pin is only tri-stated by this register when it is configured as AIF2TXLRCLK.

**Table 44 AIF2 TDM and Tri-State Control**

REGISTER ADDRESS	BIT	LABEL	DEFAULT	DESCRIPTION
R1409 (0581h) AIF3 Tx Pin Ctrl	5	AIF3TX_DAT_TR I	0	AIF3TXDAT Tri-State Control 0 = Logic 0 during unused timeslots 1 = Tri-stated during unused timeslots
R1411 (0583h) AIF3 Rate Ctrl	6	AIF3_TRI	0	AIF3 Audio Interface Tri-State Control 0 = Normal 1 = AIF3 Outputs are tri-stated Note that the GPIO3 pin is only tri-stated by this register when it is configured as AIF3TXLRCLK.

**Table 45 AIF3 TDM and Tri-State Control**

**AIF DIGITAL PULL-UP AND PULL-DOWN**

The WM8281 provides integrated pull-up and pull-down resistors on each of the AIFnLRCLK, AIFnBCLK and AIFnRXDAT pins. This provides a flexible capability for interfacing with other devices.

Each of the pull-up and pull-down resistors can be configured independently using the register bits described in Table 46, Table 47 and Table 48. When the pull-up and pull-down resistors are both enabled, the WM8281 provides a 'bus keeper' function on the respective pin. The bus keeper function holds the logic level unchanged whenever the pin is undriven (eg. if the signal is tri-stated).

REGISTER ADDRESS	BIT	LABEL	DEFAULT	DESCRIPTION
R3107 (0C23h) Misc Pad Ctrl 4	5	AIF1LRCLK_PU	0	AIF1LRCLK Pull-Up Control 0 = Disabled 1 = Enabled Note - when AIF1LRCLK_PD and AIF1LRCLK_PU are both set to '1', then a 'bus keeper' function is enabled on the AIF1LRCLK pin.
	4	AIF1LRCLK_PD	0	AIF1LRCLK Pull-Down Control 0 = Disabled 1 = Enabled Note - when AIF1LRCLK_PD and AIF1LRCLK_PU are both set to '1', then a 'bus keeper' function is enabled on the AIF1LRCLK pin.
	3	AIF1BCLK_PU	0	AIF1BCLK Pull-Up Control 0 = Disabled 1 = Enabled Note - when AIF1BCLK_PD and AIF1BCLK_PU are both set to '1', then a 'bus keeper' function is enabled on the AIF1BCLK pin.
	2	AIF1BCLK_PD	0	AIF1BCLK Pull-Down Control 0 = Disabled 1 = Enabled Note - when AIF1BCLK_PD and AIF1BCLK_PU are both set to '1', then a 'bus keeper' function is enabled on the AIF1BCLK pin.
	1	AIF1RXDAT_PU	0	AIF1RXDAT Pull-Up Control 0 = Disabled 1 = Enabled Note - when AIF1RXDAT_PD and AIF1RXDAT_PU are both set to '1', then a 'bus keeper' function is enabled on the AIF1RXDAT pin.
	0	AIF1RXDAT_PD	0	AIF1RXDAT Pull-Down Control 0 = Disabled 1 = Enabled Note - when AIF1RXDAT_PD and AIF1RXDAT_PU are both set to '1', then a 'bus keeper' function is enabled on the AIF1RXDAT pin.

**Table 46 AIF1 Digital Pull-Up and Pull-Down Control**

REGISTER ADDRESS	BIT	LABEL	DEFAULT	DESCRIPTION
R3108 (0C24h) Misc Pad Ctrl 5	5	AIF2LRCLK_PU	0	AIF2LRCLK Pull-Up Control 0 = Disabled 1 = Enabled Note - when AIF2LRCLK_PD and AIF2LRCLK_PU are both set to '1', then a 'bus keeper' function is enabled on the AIF2LRCLK pin.
	4	AIF2LRCLK_PD	0	AIF2LRCLK Pull-Down Control 0 = Disabled 1 = Enabled Note - when AIF2LRCLK_PD and AIF2LRCLK_PU are both set to '1', then a 'bus keeper' function is enabled on the AIF2LRCLK pin.
	3	AIF2BCLK_PU	0	AIF2BCLK Pull-Up Control 0 = Disabled 1 = Enabled Note - when AIF2BCLK_PD and AIF2BCLK_PU are both set to '1', then a 'bus keeper' function is enabled on the AIF2BCLK pin.
	2	AIF2BCLK_PD	0	AIF2BCLK Pull-Down Control 0 = Disabled 1 = Enabled Note - when AIF2BCLK_PD and AIF2BCLK_PU are both set to '1', then a 'bus keeper' function is enabled on the AIF2BCLK pin.
	1	AIF2RXDAT_PU	0	AIF2RXDAT Pull-Up Control 0 = Disabled 1 = Enabled Note - when AIF2RXDAT_PD and AIF2RXDAT_PU are both set to '1', then a 'bus keeper' function is enabled on the AIF2RXDAT pin.
	0	AIF2RXDAT_PD	0	AIF2RXDAT Pull-Down Control 0 = Disabled 1 = Enabled Note - when AIF2RXDAT_PD and AIF2RXDAT_PU are both set to '1', then a 'bus keeper' function is enabled on the AIF2RXDAT pin.

**Table 47 AIF2 Digital Pull-Up and Pull-Down Control**

REGISTER ADDRESS	BIT	LABEL	DEFAULT	DESCRIPTION
R3109 (0C25h) Misc Pad Ctrl 6	5	AIF3LRCLK_PU	0	AIF3LRCLK Pull-Up Control 0 = Disabled 1 = Enabled Note - when AIF3LRCLK_PD and AIF3LRCLK_PU are both set to '1', then a 'bus keeper' function is enabled on the AIF3LRCLK pin.
	4	AIF3LRCLK_PD	0	AIF3LRCLK Pull-Down Control 0 = Disabled 1 = Enabled Note - when AIF3LRCLK_PD and AIF3LRCLK_PU are both set to '1', then a 'bus keeper' function is enabled on the AIF3LRCLK pin.
	3	AIF3BCLK_PU	0	AIF3BCLK Pull-Up Control 0 = Disabled 1 = Enabled Note - when AIF3BCLK_PD and AIF3BCLK_PU are both set to '1', then a 'bus keeper' function is enabled on the AIF3BCLK pin.
	2	AIF3BCLK_PD	0	AIF3BCLK Pull-Down Control 0 = Disabled 1 = Enabled Note - when AIF3BCLK_PD and AIF3BCLK_PU are both set to '1', then a 'bus keeper' function is enabled on the AIF3BCLK pin.
	1	AIF3RXDAT_PU	0	AIF3RXDAT Pull-Up Control 0 = Disabled 1 = Enabled Note - when AIF3RXDAT_PD and AIF3RXDAT_PU are both set to '1', then a 'bus keeper' function is enabled on the AIF3RXDAT pin.
	0	AIF3RXDAT_PD	0	AIF3RXDAT Pull-Down Control 0 = Disabled 1 = Enabled Note - when AIF3RXDAT_PD and AIF3RXDAT_PU are both set to '1', then a 'bus keeper' function is enabled on the AIF3RXDAT pin.

**Table 48 AIF3 Digital Pull-Up and Pull-Down Control**

## SLIMBUS INTERFACE

The SLIMbus protocol is highly configurable and adaptable, supporting multiple audio signal paths, and mixed sample rates simultaneously. It also supports control messaging and associated communications between devices.

### SLIMBUS DEVICES

The SLIMbus components comprise different device classes (Manager, Framer, Interface, Generic). Each component on the bus has an Interface Device, which provides bus management services for the respective component. One or more components on the bus will provide Manager and Framer Device functions; the Manager has the capabilities to administer the bus, whilst the Framer is responsible for driving the CLK line and for driving the DATA required to establish the Frame Structure on the bus. Note that only one Manager and one Framer Device will be active at any time. The Framer function can be transferred between Devices when required. Generic Devices provide the basic SLIMbus functionality for the associated Port(s), and for the Transport Protocol by which audio signal paths are established on the bus.

### SLIMBUS FRAME STRUCTURE

The SLIMbus bit stream is formatted within a defined structure of Cells, Slots, Subframes, Frames, and Superframes:

- A single data bit is known as a Cell
- 4 Cells make a Slot
- 192 Slots make a Frame
- 8 Frames make a Superframe

The bit stream structure is configurable to some extent, but the Superframe definition always comprises 1536 slots. The transmitted/received bit rate is not fixed; it can be configured according to system requirements, and can be changed dynamically without interruption to active audio paths.

The SLIMbus CLK frequency (also the bus bit rate) is defined by a *Root Frequency (RF)* and a *Clock Gear (CG)*. In the top Clock Gear (Gear 10), the CLK frequency is equal to the Root Frequency. Each reduction in the Clock Gear halves the CLK frequency, and doubles the duration of the Superframe.

The SLIMbus bandwidth will typically comprise Control space (for bus messages, synchronisation etc.) and Data space (for audio paths). The precise allocation is configurable, and can be entirely Control space, if required.

The Subframe definition comprises the number of Slots per Subframe (6, 8, 24 or 32 Slots), and the number of these Slots (per Subframe) allocated as Control space. The applicable combination of Subframe length and Control space width are defined by the *Subframe Mode (SM)* parameter.

The SLIMbus Frame always comprises 192 Slots, regardless of the Subframe definition. A number of Slots are allocated to Control space, as noted above; the remaining Slots are allocated to Data space. Some of the Control space is required for Framing Information and for the Guide Channel (described below); the remainder of the Control space are allocated to the Message Channel.

### CONTROL SPACE

Framing Information is provided in Slots 0 and 96 of every Frame. Slot 0 contains a 4-bit synchronisation code; Slot 96 contains the 32-bit Framing Information, transmitted 4 bits at a time over the 8 Frames that make up the SLIMbus Superframe. The Clock Gear, Root Frequency, Subframe configuration, along with some other parameters, are encoded within the Framing Information.

The Guide Channel occupies two Slots within Frame 0. This provides the necessary information for a SLIMbus component to acquire and verify the frame synchronisation. The Guide Channel occupies the first two Control space Slots within the first Frame of the bit stream, excluding the Framing Information Slots. Note that the exact Slot allocation will depend upon the applicable Subframe mode.

The Message Channel is allocated all of the Control space not used by the Framing Information or the Guide Channel. The Message Channel enables SLIMbus devices to communicate with each other, using a priority-based mechanism defined in the MIPI specification.

Messages may be broadcast to all devices on the bus, or can be addressed to specific devices using their allocated *Logical Address (LA)* or *Enumeration Address (EA)*. Note that, device-specific messages are directed to a particular device (ie. Manager, Framer, Interface or Generic) within a component on the bus.

## DATA SPACE

The Data space can be organised into a maximum of 256 Data Channels. Each Channel, identified by a unique *Channel Number (CN)*, is a stream of one or more contiguous Slots, organised in a consistent data structure that repeats at a fixed interval.

A Data Channel is defined by its *Segment Length (SL)* (number of contiguous Slots allocated), Segment Interval (spacing between the first Slots of successive Segments), and Segment Offset (the Slot Number of the first allocated Slot within the Superframe). The Segment Interval and Segment Offset are collectively defined by a *Segment Distribution (SD)*, by which the SLIMbus Manager may configure (or re-configure) any Data Channel.

Each Segment may comprise TAG, AUX and DATA portions. Any of these portions may be 0-length; the exact composition depends on the *Transport Protocol (TP)* for the associated Channel (see below). The DATA portion must be wide enough to accommodate one full word of the Data Channel contents (data words cannot be spread across multiple segments).

The Segment Interval for each Data Channel represents the minimum spacing between consecutive data samples for that Channel. (Note - the minimum spacing applies if every allocated segment is populated with new data; in many cases, additional bandwidth is allocated, as described below, and not every allocated segment is used.)

The Segment Interval gives rise to Segment Windows for each Data Channel, aligned to the start of every Superframe. The Segment Window boundaries define the times within which each new data sample must be buffered, ready for transmission - adherence to these fixed boundaries allows Slot allocations to be moved within a Segment Window, without altering the signal latency. The Segment Interval may be either shorter or longer than the Frame length, but there is always an integer number of Segment Windows per Superframe.

The *Transport Protocol (TP)* defines the flow control or handshaking method used by the Ports associated with a Data Channel. The applicable flow control mode(s) depend on the relationship between the audio sample rate (flow rate) and the SLIMbus CLK frequency. If the two rates are synchronised and integer-related, then no flow control is needed; in other cases, the flow may be regulated by the use of a 'Presence' bit. The Presence bit can either be set by the source Device ('pushed' protocol), or by the sink Device ('pulled' protocol).

The Data Channel structure is defined in terms of the *Transport Protocol (TP)*, *Segment Distribution (SD)*, and the *Segment Length (SL)* parameters. Each of these is described above.

The Data Channel content definition includes a *Presence Rate (PR)* parameter (describing the nominal sample rate for the audio channel) and a *Frequency Locked (FL)* bit (identifying whether the data source is synchronised to the SLIMbus CLK). The *Data Length (DL)* parameter defines the size of each data sample (number of Slots). The *Auxiliary Bits Format (AF)* and *Data Type (DT)* parameters provide support for non-PCM encoded data channels; the *Channel Link (CL)* parameter is an indicator that channel CN is related to the previous channel, CN-1.

For a given Root Frequency and Clock Gear, the *Segment Length (SL)* and *Segment Distribution (SD)* parameters define the amount of SLIMbus bandwidth that is allocated to a given Data Channel. The minimum bandwidth requirements of a Data Channel are represented by the *Presence Rate (PR)* and *Data Length (DL)* parameters. The allocated SLIMbus bandwidth must be equal to or greater than the bandwidth of the data to be transferred.

The Segment Interval defines the repetition rate of the SLIMbus Slots allocated to consecutive data samples for a given Data Channel. The *Presence Rate (PR)* is the nominal sample rate of the audio path. The Segment Rate (determined by the Segment Interval value) must be equal to or greater than the Presence Rate for a given data channel. The following constraints must be observed, when configuring a SLIMbus channel:

- If Pushed or Pulled Transport Protocol is selected, the Segment Rate must be greater than the Presence Rate, to ensure that samples are not dropped as a result of clock drift.
- If Isochronous Transport Protocol is selected, the Segment Rate must be equal to the Presence Rate. Isochronous Transport Protocol should only be selected if the data source is frequency-locked to the SLIMbus CLK (ie. the data source is synchronised to the SLIMbus Framer device).

## SLIMBUS CONTROL SEQUENCES

This section describes the messages and general protocol associated with most aspects of the SLIMbus system.

Note that the SLIMbus specification permits some flexibility in Core Message support for different components. See “SLIMbus Interface Control” for details of which message(s) are supported on each of the SLIMbus devices that are present on the WM8281.

### DEVICE MANAGEMENT & CONFIGURATION

This section describes the SLIMbus messages associated with configuring all devices on the SLIMbus interface.

When the SLIMbus interface starts up, it is required that one (and only one) of the components provides the Manager and Framer Device functions. Other devices can request connection to the bus after they have gained synchronisation.

The **REPORT\_PRESENT (DC, DCV)** message may be issued by devices attempting to connect to the bus. The payload of this message contains the *Device Class (DC)* and *Device Class Version (DCV)* parameters, describing the type of device that is attempting to connect. This message may be issued autonomously by the connecting device, or else in response to a **REQUEST\_SELF\_ANNOUNCEMENT** message from the Manager Device.

After positively acknowledging the **REPORT\_PRESENT** message, the Manager Device will then issue the **ASSIGN\_LOGICAL\_ADDRESS (LA)** message to allow the other device to connect to the bus. The payload of this message contains the *Logical Address (LA)* parameter only; this is the unique address by which the connected device will send and receive SLIMbus messages. The device is then said to be ‘enumerated’.

Once a device has been successfully connected to the bus, the Logical Address (LA) parameter can be changed at any time using the **CHANGE\_LOGICAL\_ADDRESS (LA)** message.

The **RESET\_DEVICE** message commands an individual SLIMbus device to perform its reset procedure. As part of the reset, all associated ports will be reset, and any associated Data Channels will be cancelled. Note that, if the **RESET\_DEVICE** command is issued to an Interface Device, it will cause a Component Reset (ie. all Devices within the associated component are reset). Under a Component Reset, every associated Device will release its Logical Address, and the Component will become disconnected from the bus.

### INFORMATION MANAGEMENT

A memory map of Information Elements is defined for each Device. This is arranged in 3 x 1kByte blocks, comprising Core Information elements, Device Class-specific Information elements, and User Information elements respectively, as described in the MIPI specification. Note that the contents of the User Information portion for each WM8281 SLIMbus Device are reserved.

Read/Write access is implemented using the messages described below. Specific elements within the Information Map are identified using the *Element Code (EC)* parameter. In the case of Read access, a unique *Transaction ID (TID)* is assigned to each message relating to a particular read/write request.

The **REQUEST\_INFORMATION (TID, EC)** message is used to instruct a device to respond with the indicated information. The payload of this message contains the *Transaction ID (TID)* and the *Element Code (EC)*.



The **REQUEST\_CLEAR\_INFORMATION (TID, EC, CM)** message is used to instruct a device to respond with the indicated information, and also to clear all, or parts, of the same information slice. The payload of this message contains the *Transaction ID (TID)*, *Element Code (EC)*, and *Clear Mask (CM)*. The Clear Mask field is used to select which element(s) are to be cleared as part of the instruction.

The **REPLY\_INFORMATION (TID, IS)** message is used to provide readback of a requested parameter. The payload of this message contains the *Transaction ID (TID)* and the *Information Slice (IS)*. The Information Slice byte(s) contain the value of the requested parameter.

The **CLEAR\_INFORMATION (EC, CM)** message is used to clear all, or parts, of the indicated information slice. The payload of this message contains the *Element Code (EC)* and *Clear Mask (CM)*. The Clear Mask field is used to select which element(s) are to be cleared as part of the instruction.

The **REPORT\_INFORMATION (EC, IS)** message is used to inform other devices about a change in a specified element in the Information Map. The payload of this message contains the *Element Code (EC)* and the *Information Slice (IS)*. The Information Slice byte(s) contain the new value of the applicable parameter.

### VALUE MANAGEMENT (INCLUDING REGISTER ACCESS)

A memory map of Value Elements is defined for each Device. This is arranged in 3 x 1kByte blocks, comprising Core Value elements, Device Class-specific Value elements, and User Value elements respectively, as described in the MIPI specification. These elements are typically parameters used to configure Device behaviour.

The User Value elements of the Interface Device are used on WM8281 to support Read/Write access to the Register Map. Details of how to access specific registers are described in the "SLIMbus Interface Control" section.

Note that, with the exception of the User Value elements of the Interface Device, the contents of the User Value portion for each WM8281 SLIMbus Device are reserved.

Read/Write access is implemented using the messages described below. Specific elements within the Value Map are identified using the *Element Code (EC)* parameter. In the case of Read access, a unique *Transaction ID (TID)* is assigned to each message relating to a particular read/write request.

The **REQUEST\_VALUE (TID, EC)** message is used to instruct a device to respond with the indicated information. The payload of this message contains the *Transaction ID (TID)* and the *Element Code (EC)*.

The **REPLY\_VALUE (TID, VS)** message is used to provide readback of a requested parameter. The payload of this message contains the *Transaction ID (TID)* and the *Value Slice (VS)*. The Value Slice byte(s) contain the value of the requested parameter.

The **CHANGE\_VALUE (EC, VU)** message is used to write data to a specified element in the Value Map. The payload of this message contains the *Element Code (EC)* and the *Value Update (VU)*. The Value Update byte(s) contain the new value of the applicable parameter.

### FRAME & CLOCKING MANAGEMENT

This section describes the SLIMbus messages associated with changing the Frame or Clocking configuration. One or more configuration messages may be issued as part of a Reconfiguration Sequence; all of the updated parameters become active at once, when the Reconfiguration boundary is reached.

The **BEGIN\_RECONFIGURATION** message is issued to define a Reconfiguration Boundary point: subsequent **NEXT\_\*** messages will become active at the first valid Superframe boundary following receipt of the **RECONFIGURE\_NOW** message. (A valid boundary must be at least two Slots after the end of the **RECONFIGURE\_NOW** message.) Both of these messages have no payload content.

The **NEXT\_ACTIVE\_FRAMER (LAIF, NCo, NCi)** message is used to select a new device as the active Framer. The payload of this message includes the *Logical Address, Incoming Framer (LAIF)*. Two other fields (NCo, NCi) define the number of clock cycles for which the CLK line shall be inactive during the handover.

The **NEXT\_SUBFRAME\_MODE (SM)** and **NEXT\_CLOCK\_GEAR (CG)** messages are used to re-configure the SLIMbus clocking or framing definition. The payload of each is the respective *Subframe Mode (SM)* or *Clock Gear (CG)* respectively.

The **NEXT\_PAUSE\_CLOCK (RT)** message instructs the active Framer to pause the bus. The payload of the message contains the *Restart Time (RT)*, which indicates whether the interruption is to be of a

specified time and/or phase duration.

The **NEXT\_RESET\_BUS** message instructs all components on the bus to be reset. In this case, all Devices on the bus are reset and are disconnected from the bus. Subsequent re-connection to the bus follows the same process as when the bus is first initialised.

The **NEXT\_SHUTDOWN\_BUS** message instructs all devices that the bus is to be shut down.

## DATA CHANNEL CONFIGURATION

This section describes the procedure for configuring a SLIMbus Data Channel. Note that the Manager Device is responsible for allocating the available bandwidth as required for each Data Channel.

The **CONNECT\_SOURCE (PN, CN)** and **CONNECT\_SINK (PN, CN)** messages are issued to the respective devices, defining the Port(s) between which a Data Channel is to be established. Note that multiple destinations (sinks) can be configured for a channel, if required. The payload of each message contains the *Port Number (PN)* and the *Channel Number (CN)* parameters.

The **BEGIN\_RECONFIGURATION** message is issued to define a Reconfiguration Boundary point: subsequent **NEXT\_\*** messages will become active at the first valid Superframe boundary following receipt of the **RECONFIGURE\_NOW** message. (A valid boundary must be at least two Slots after the end of the **RECONFIGURE\_NOW** message.)

The **NEXT\_DEFINE\_CHANNEL (CN, TP, SD, SL)** message informs the associated devices of the structure of the Data Channel. The payload of this message contains the *Channel Number (CN)*, *Transport Protocol (TP)*, *Segment Distribution (SD)*, and the *Segment Length (SL)* parameters for the Data Channel.

The **NEXT\_DEFINE\_CONTENT (CN, FL, PR, AF, DT, CL, DL)**, or **CHANGE\_CONTENT (CN, FL, PR, AF, DT, CL, DL)** message provides more detailed information about the Data Channel contents. The payload of this message contains the *Channel Number (CN)*, *Frequency Locked (FL)*, *Presence Rate (PR)*, *Auxiliary Bits Format (AF)*, *Data Type (DT)*, *Channel Link (CL)*, and *Data Length (DL)* parameters.

The **NEXT\_ACTIVATE\_CHANNEL (CN)** message instructs the channel to be activated at the next Reconfiguration boundary. The payload of this message contains the *Channel Number (CN)* only.

The **RECONFIGURE\_NOW** message completes the Reconfiguration sequence, causing all of the 'NEXT\_' messages since the **BEGIN\_RECONFIGURATION** to become active at the next valid Superframe boundary. (A valid boundary must be at least two Slots after the end of the **RECONFIGURE\_NOW** message.)

Active channels can be reconfigured using the **CHANGE\_CONTENT**, **NEXT\_DEFINE\_CONTENT**, or **NEXT\_DEFINE\_CHANNEL** messages. Note that these changes can be effected without interrupting the data channel; the **NEXT\_DEFINE\_CHANNEL**, for example, may be used to change a Segment Distribution, in order to reallocate the SLIMbus bandwidth.

An active channel can be paused using the **NEXT\_DEACTIVATE\_CHANNEL** message, and re-instated using the **NEXT\_ACTIVATE\_CHANNEL** message.

Data channels can be disconnected using the **DISCONNECT\_PORT** or **NEXT\_REMOVE\_CHANNEL** messages. These messages provide equivalent functionality, but use different parameters (PN or CN respectively) to identify the affected signal path.

## SLIMBUS INTERFACE CONTROL

The WM8281 features a MIPI-compliant SLIMbus interface, providing 8 channels of audio input and 8 channels of audio output. Mixed audio sample rates are supported on the SLIMbus interface. The SLIMbus interface also supports read/write access to the WM8281 control registers.

The SLIMbus interface on WM8281 comprises a Generic Device, Framer Device, and Interface Device. A maximum of 16 Ports can be configured, providing up to 8 input (RX) channels and up to 8 output (TX) channels.

The audio paths associated with the SLIMbus interface are described in the “Digital Core” section.

The SLIMbus interface supports read/write access to the WM8281 control registers, as described later in this section.

The SLIMbus clocking rate and channel allocations are controlled by the Manager Device. The Message Channel and Data Channel bandwidth may be dynamically adjusted according to the application requirements. Note that the Manager Device functions are not implemented on the WM8281, and these bandwidth allocation requirements are outside the scope of this datasheet.

### SLIMBUS DEVICE PARAMETERS

The SLIMbus interface on the WM8281 comprises three Devices. The Enumeration Address of each Device within the SLIMbus interface is derived from the parameters noted in Table 49.

DESCRIPTION	MANUFACTURER ID	PRODUCT CODE	DEVICE ID	INSTANCE VALUE	ENUMERATION ADDRESS
Generic	0x012F	0x5110	0x00	0x00	012F_5110_0000
Framer	0x012F	0x5110	0x55	0x00	012F_5110_5500
Interface	0x012F	0x5110	0x7F	0x00	012F_5110_7F00

**Table 49 SLIMbus Device Parameters**

### SLIMBUS MESSAGE SUPPORT

The SLIMbus interface on the WM8281 supports bus messages as noted in Table 50.

Additional notes regarding SLIMbus message support are noted below, and also in Table 51.

MESSAGE CODE MC[6:0]	DESCRIPTION	GENERIC	FRAMER	INTERFACE
<b>Device Management Messages</b>				
0x01	REPORT_PRESENT (DC, DCV)	S	S	S
0x02	ASSIGN_LOGICAL_ADDRESS (LA)	D	D	D
0x04	RESET_DEVICE ()	D	D	D
0x08	CHANGE_LOGICAL_ADDRESS (LA)	D	D	D
0x09	CHANGE_ARBITRATION_PRIORITY (AP)			
0x0C	REQUEST_SELF_ANNOUNCEMENT ()	D	D	D
0x0F	REPORT_ABSENT ()			
<b>Data Channel Management Messages</b>				
0x10	CONNECT_SOURCE (PN, CN)	D		
0x11	CONNECT_SINK (PN, CN)	D		
0x14	DISCONNECT_PORT (PN)	D		
0x18	CHANGE_CONTENT (CN, FL, PR, AF, DT, CL, DL)	D		
<b>Information Management Messages</b>				
0x20	REQUEST_INFORMATION (TID, EC)	D	D	D
0x21	REQUEST_CLEAR_INFORMATION (TID, EC, CM)	D	D	D
0x24	REPLY_INFORMATION (TID, IS)	S	S	S
0x28	CLEAR_INFORMATION (EC, CM)	D	D	D
0x29	REPORT_INFORMATION (EC, IS)			S

MESSAGE CODE MC[6:0]	DESCRIPTION	GENERIC	FRAMER	INTERFACE
<b>Reconfiguration Messages</b>				
0x40	BEGIN_RECONFIGURATION ()	D	D	D
0x44	NEXT_ACTIVE_FRAMER (LAIF, NCo, NCi)		D	
0x45	NEXT_SUBFRAME_MODE (SM)		D	D
0x46	NEXT_CLOCK_GEAR (CG)		D	
0x47	NEXT_ROOT_FREQUENCY (RF)		D	
0x4A	NEXT_PAUSE_CLOCK (RT)		D	
0x4B	NEXT_RESET_BUS ()		D	
0x4C	NEXT_SHUTDOWN_BUS ()		D	
0x50	NEXT_DEFINE_CHANNEL (CN, TP, SD, SL)	D		
0x51	NEXT_DEFINE_CONTENT (CN, FL, PR, AF, DT, CL, DL)	D		
0x54	NEXT_ACTIVATE_CHANNEL (CN)	D		
0x55	NEXT_DEACTIVATE_CHANNEL (CN)	D		
0x58	NEXT_REMOVE_CHANNEL (CN)	D		
0x5F	RECONFIGURE_NOW ()	D	D	D
<b>Value Management Messages</b>				
0x60	REQUEST_VALUE (TID, EC)			D
0x61	REQUEST_CHANGE_VALUE (TID, EC, VU)			
0x64	REPLY_VALUE (TID, VS)			S
0x68	CHANGE_VALUE (EC, VU)			D

**Table 50 SLIMbus Message Support**

S = supported as a Source Device only. D = supported as a Destination Device only.

The WM8281 SLIMbus component must be reset prior to scheduling a Hardware Reset or Power-On Reset. This can be achieved using the RESET\_DEVICE message (issued to the WM8281 Interface Device), or else using the NEXT\_RESET\_BUS message.

PARAMETER CODE	DESCRIPTION	COMMENTS
AF	Auxiliary Bits Format	
CG	Clock Gear	
CL	Channel Link	
CM	Clear Mask	WM8281 does not fully support this function. The CM bytes of the REQUEST_CLEAR_INFORMATION or CLEAR_INFORMATION messages must not be sent to WM8281 Devices. When either of these messages is received, all bits within the specified Information Slice will be cleared.
CN	Channel Number	
DC	Device Class	
DCV	Device Class Variation	
DL	Data Length	
DT	Data Type	WM8281 supports the following DT codes: 0h - Not indicated 1h - LPCM audio Note that 2's complement PCM can be supported with DT=0h.
EC	Element Code	
FL	Frequency Locked	
IS	Information Slice	
LA	Logical Address	

PARAMETER CODE	DESCRIPTION	COMMENTS
LAIF	Logical Address, Incoming Framer	
NCi	Number of Incoming Framer Clock Cycles	
NCo	Number of Outgoing Framer Clock Cycles	
PN	Port Number	Note that the Port Numbers of the WM8281 SLIMbus paths are register-configurable, as described in Table 52.
PR	Presence Rate	Note that the Presence Rate must be the same as the Sample Rate selected for the associated WM8281 SLIMbus path.
RF	Root Frequency	WM8281 supports the following RF codes as Active Framer: 1h - 24.576MHz 2h - 22.5792MHz All codes are supported when WM8281 is not the Active Framer.
RT	Restart Time	WM8281 supports the following RT codes: 0h -Fast Recovery 2h - Unspecified Delay When either of these values is specified, the WM8281 will resume toggling the CLK line within four cycles of the CLK line frequency.
SD	Segment Distribution	Note that any data channels that are assigned the same SAMPLE_RATE_n or ASYNC_SAMPLE_RATE_n value must also be assigned the same Segment Interval.
SL	Segment Length	
SM	Subframe Mode	All SM codes are supported. Note that, if subframe mode 0, 16, or 21 is selected, there is a risk of bus synchronisation being lost following a RECONFIGURE_NOW() message, and audio/data channels may be corrupted. It is recommended to use other subframe modes in order to avoid this occurrence. If subframe mode 0, 16, or 21 is selected, suitable error handling should be incorporated to detect any loss of data.
TID	Transaction ID	
TP	Transport Protocol	WM8281 supports the following TP codes for TX channels: 0h - Isochronous Protocol 1h - Pushed Protocol WM8281 supports the following TP codes for RX channels: 0h - Isochronous Protocol 2h - Pulled Protocol
VS	Value Slice	
VU	Value Update	

**Table 51 SLIMbus Parameter Support**

**SLIMBUS PORT NUMBER CONTROL**

The WM8281 SLIMbus interface supports up to 8 input (RX) channels and up to 8 output (TX) channels. The SLIMbus port numbers for these audio channels are configurable using the registers described in Table 52.

REGISTER ADDRESS	BIT	LABEL	DEFAULT	DESCRIPTION	
R1490 (05D2h) SLIMbus RX Ports0	13:8	SLIMRX2_PORT _ADDR [5:0]	1	SLIMbus RX Channel n Port number Valid from 0..63	
	5:0	SLIMRX1_PORT _ADDR [5:0]	0		
R1491 (05D3h) SLIMbus RX Ports1	13:8	SLIMRX4_PORT _ADDR [5:0]	3		
	5:0	SLIMRX3_PORT _ADDR [5:0]	2		
R1492 (05D4h) SLIMbus RX Ports2	13:8	SLIMRX6_PORT _ADDR [5:0]	5		
	5:0	SLIMRX5_PORT _ADDR [5:0]	4		
R1493 (05D5h) SLIMbus RX Ports3	13:8	SLIMRX8_PORT _ADDR [5:0]	7		
	5:0	SLIMRX7_PORT _ADDR [5:0]	6		
R1494 (05D6h) SLIMbus TX Ports0	13:8	SLIMTX2_PORT _ADDR [5:0]	9		SLIMbus TX Channel n Port number Valid from 0..63
	5:0	SLIMTX1_PORT _ADDR [5:0]	8		
R1495 (05D7h) SLIMbus TX Ports1	13:8	SLIMTX4_PORT _ADDR [5:0]	11		
	5:0	SLIMTX3_PORT _ADDR [5:0]	10		
R1496 (05D8h) SLIMbus TX Ports2	13:8	SLIMTX6_PORT _ADDR [5:0]	13		
	5:0	SLIMTX5_PORT _ADDR [5:0]	12		
R1497 (05D9h) SLIMbus TX Ports3	13:8	SLIMTX8_PORT _ADDR [5:0]	15		
	5:0	SLIMTX7_PORT _ADDR [5:0]	14		

**Table 52 SLIMbus Port Number Control**

**SLIMBUS SAMPLE RATE CONTROL**

The SLIMbus RX inputs may be selected as input to the digital mixers or signal processing functions within the WM8281 digital core. The SLIMbus TX outputs are derived from the respective output mixers.

The sample rate for each SLIMbus channel is configured using the SLIMRXn\_RATE and SLIMTXn\_RATE registers - see Table 23 within the “Digital Core” section.

Note that the SLIMbus interface provides simultaneous support for SYSCLK-referenced and ASYNCLK-referenced sample rates on different channels. For example, 48kHz and 44.1kHz SLIMbus audio paths can be simultaneously supported.

Sample rate conversion is required when routing the SLIMbus paths to any signal chain that is asynchronous and/or configured for a different sample rate.

**SLIMBUS SIGNAL PATH ENABLE**

The SLIMbus interface supports up to 8 input (RX) channels and up to 8 output (TX) channels. Each of these channels can be enabled or disabled using the register bits defined in Table 53.

Note that the SLIMbus audio channels can only be supported when the corresponding ports have been enabled by the Manager Device (ie. in addition to setting the respective enable bits). The status bits in Registers R1527 and R1528 indicate the status of each of the SLIMbus ports.

The system clock, SYSCLK, must be configured and enabled before any audio path is enabled. The ASYNCLK may also be required, depending on the path configuration. See “Clocking and Sample Rates” for details of the system clocks.

REGISTER ADDRESS	BIT	LABEL	DEFAULT	DESCRIPTION
R1525 (05F5h) SLIMbus RX Channel Enable	7	SLIMRX8_ENA	0	SLIMbus RX Channel n Enable 0 = Disabled 1 = Enabled
	6	SLIMRX7_ENA	0	
	5	SLIMRX6_ENA	0	
	4	SLIMRX5_ENA	0	
	3	SLIMRX4_ENA	0	
	2	SLIMRX3_ENA	0	
	1	SLIMRX2_ENA	0	
	0	SLIMRX1_ENA	0	
R1526 (05F6h) SLIMbus TX Channel Enable	7	SLIMTX8_ENA	0	SLIMbus TX Channel n Enable 0 = Disabled 1 = Enabled
	6	SLIMTX7_ENA	0	
	5	SLIMTX6_ENA	0	
	4	SLIMTX5_ENA	0	
	3	SLIMTX4_ENA	0	
	2	SLIMTX3_ENA	0	
	1	SLIMTX2_ENA	0	
	0	SLIMTX1_ENA	0	
R1527 (05F7h) SLIMbus RX Port Status	7	SLIMRX8_PORT_STS	0	SLIMbus RX Channel n Port Status (Read only) 0 = Disabled 1 = Configured and active
	6	SLIMRX7_PORT_STS	0	
	5	SLIMRX6_PORT_STS	0	
	4	SLIMRX5_PORT_STS	0	
	3	SLIMRX4_PORT_STS	0	
	2	SLIMRX3_PORT_STS	0	
	1	SLIMRX2_PORT_STS	0	
	0	SLIMRX1_PORT_STS	0	
R1528 (05F8h) SLIMbus TX Port Status	7	SLIMTX8_PORT_STS	0	SLIMbus TX Channel n Port Status (Read only) 0 = Disabled 1 = Configured and active
	6	SLIMTX7_PORT_STS	0	
	5	SLIMTX6_PORT_STS	0	
	4	SLIMTX5_PORT_STS	0	
	3	SLIMTX4_PORT_STS	0	
	2	SLIMTX3_PORT_STS	0	
	1	SLIMTX2_PORT_STS	0	
	0	SLIMTX1_PORT_STS	0	

**Table 53 SLIMbus Signal Path Enable**

**SLIMBUS CONTROL REGISTER ACCESS**

Control register access is supported via the SLIMbus interface. Full read/write access to all registers is possible, via the “User Value Elements” portion of the Value Map.

Register Write operations are implemented using the “CHANGE\_VALUE” message. A maximum of two messages may be required, depending on circumstances: the first “CHANGE\_VALUE” message selects the register page (bits [23:8] of the Control Register address); the second message contains the data and bits [7:0] of the register address. The first message may be omitted if the register page is unchanged from the previous Read or Write operation.

The associated parameters are described in Table 54 and Table 55, for the generic case of writing the value 0xVVVV to control register address 0xYYYYZZ.

<b>Write Message 1 – CHANGE_VALUE</b>		
<b>PARAMETER</b>	<b>VALUE</b>	<b>DESCRIPTION</b>
Source Address	0xSS	‘SS’ is the 8-bit Logical Address of the message source. This could be any active device on the bus, but is typically the Manager Device (0xFF).
Destination Address	0xLL	‘LL’ is the 8-bit Logical Address of the message destination (ie. the WM8281 SLIMbus Interface Device). The value is assigned by the SLIMbus Manager Device.
Access Mode	0b1	Selects Byte-based access mode.
Byte Address	0x800	Identifies the User Value element for selecting the Control Register page address.
Slice Size	0b001	Selects 2-byte slice size
Value Update	0xYYYY	‘YYYY’ is bits [23:8] of the applicable Control Register address.

**Table 54 Register Write Message (1)**

<b>Write Message 2 – CHANGE_VALUE</b>		
<b>PARAMETER</b>	<b>VALUE</b>	<b>DESCRIPTION</b>
Source Address	0xSS	‘SS’ is the 8-bit Logical Address of the message source. This could be any active device on the bus, but is typically the Manager Device (0xFF).
Destination Address	0xLL	‘LL’ is the 8-bit Logical Address of the message destination (ie. the WM8281 SLIMbus Interface Device). The value is assigned by the SLIMbus Manager Device.
Access Mode	0b1	Selects Byte-based access mode.
Byte Address	0xUUU	Specifies the Value Map address, calculated as 0xA00 + (2 x 0xZZ), where ‘ZZ’ is bits [7:0] of the applicable Control Register address.
Slice Size	0b001	Selects 2-byte slice size
Value Update	0xVVVV	‘VVVV’ is the 16-bit data to be written.

**Table 55 Register Write Message (2)**

Note that the first message may be omitted if its contents are unchanged from the previous CHANGE\_VALUE message sent to the WM8281.



Register Read operations are implemented using the “CHANGE\_VALUE” and “REQUEST\_VALUE” messages. A maximum of two messages may be required, depending on circumstances: the “CHANGE\_VALUE” message selects the register page (bits [23:8] of the Control Register address); the “REQUEST\_VALUE” message contains bits [7:0] of the register address. The first message may be omitted if the register page is unchanged from the previous Read or Write operation.

The associated parameters are described in Table 56 and Table 57, for the generic case of reading the contents of control register address 0xYYYYZZ.

Read Message 1 – CHANGE_VALUE		
PARAMETER	VALUE	DESCRIPTION
Source Address	0xSS	‘SS’ is the 8-bit Logical Address of the message source. This could be any active device on the bus, but is typically the Manager Device (0xFF).
Destination Address	0xLL	‘LL’ is the 8-bit Logical Address of the message destination (ie. the WM8281 SLIMbus Interface Device). The value is assigned by the SLIMbus Manager Device.
Access Mode	0b1	Selects Byte-based access mode.
Byte Address	0x800	Identifies the User Value element for selecting the Control Register page address.
Slice Size	0b001	Selects 2-byte slice size
Value Update	0xYYYY	‘YYYY’ is bits [23:8] of the applicable Control Register address.

**Table 56 Register Read Message (1)**

Read Message 2 – REQUEST_VALUE		
PARAMETER	VALUE	DESCRIPTION
Source Address	0xSS	‘SS’ is the 8-bit Logical Address of the message source. This could be any active device on the bus, but is typically the Manager Device (0xFF).
Destination Address	0xLL	‘LL’ is the 8-bit Logical Address of the message destination (ie. the WM8281 SLIMbus Interface Device). The value is assigned by the SLIMbus Manager Device.
Access Mode	0b1	Selects Byte-based access mode.
Byte Address	0xUUU	Specifies the Value Map address, calculated as $0xA00 + (2 \times 0xZZ)$ , where ‘ZZ’ is bits [7:0] of the applicable Control Register address.
Slice Size	0b001	Selects 2-byte slice size
Transaction ID	0xTTTT	‘TTTT’ is the 16-bit Transaction ID for the message. The value is assigned by the SLIMbus Manager Device.

**Table 57 Register Read Message (2)**

Note that the first message may be omitted if its contents are unchanged from the previous CHANGE\_VALUE message sent to the WM8281.

The WM8281 will respond to the Register Read commands in accordance with the normal SLIMbus protocols.

Note that the WM8281 assumes that sufficient Control Space Slots are available in which to provide its response before the next REQUEST\_VALUE message is received. The WM8281 response is made using a REPLY\_VALUE message; the SLIMbus Manager should wait until the REPLY\_VALUE message has been received before sending the next REQUEST\_VALUE message. If additional REQUEST\_VALUE message(s) are received before the WM8281 response has been made, then the earlier REQUEST\_VALUE message(s) will be ignored (ie. only the last REQUEST\_VALUE message will be serviced).

## SLIMBUS CLOCKING CONTROL

The clock frequency of the SLIMbus interface is not fixed, and may be set according to the application requirements. The clock frequency can be reconfigured dynamically as required.

The WM8281 SLIMbus interface includes a Framer Device. When configured as the active Framer, the SLIMbus clock (SLIMCLK) is an output from the WM8281. At other times, SLIMCLK is an input. The Framer function can be transferred from one device to another; this is known as Framer Handover, and is controlled by the Manager Device.

The supported Root Frequencies in Active Framer mode are 24.576MHz or 22.5792MHz only. At other times, the supported Root Frequencies are as defined in the MIPI Alliance specification for SLIMbus.

Under normal operating conditions, the SLIMbus interface operates with a fixed Root Frequency (RF); dynamic updates to the bus rate are applied using a selectable Clock Gear (CG) function. The Root Frequency and the Clock Gear setting are controlled by the Manager Device; these parameters are transmitted in every SLIMbus superframe to all devices on the bus.

In Gear 10 (the highest Clock Gear setting), the SLIMCLK input (or output) frequency is equal to the Root Frequency. In lower gears, the SLIMCLK frequency is reduced by increasing powers of 2.

The Clock Gear definition is shown in Table 58. Note that 24.576MHz Root Frequency is an example only; other frequencies are also supported.

CLOCK GEAR	DESCRIPTION	SLIMCLK FREQUENCY (assuming 24.576MHz Root Frequency)
10	Divide by 1	24.576MHz
9	Divide by 2	12.288MHz
8	Divide by 4	6.144MHz
7	Divide by 8	3.072MHz
6	Divide by 16	1.536MHz
5	Divide by 32	768kHz
4	Divide by 64	384kHz
3	Divide by 128	192kHz
2	Divide by 256	96kHz
1	Divide by 512	48kHz

**Table 58 SLIMbus Clock Gear Selection**

When the WM8281 is the active Framer, the SLIMCLK output is synchronised to the SYSCLK or ASYNCCLK system clock, as selected by the SLIMCLK\_SRC register bit.

The applicable system clock must be enabled, and configured at the SLIMbus Root Frequency, whenever the WM8281 is the active Framer. See “Clocking and Sample Rates” for details of the SYSCLK and ASYNCCLK system clocks.

When the WM8281 is not configured as the active Framer device, then the SLIMCLK input can be used to provide a reference source for the Frequency Locked Loops (FLLs). The frequency of this reference is controlled using the SLIMCLK\_REF\_GEAR register, as described in Table 59.

The SLIMbus clock reference is generated using an adaptive divider on the SLIMCLK input. The divider automatically adapts to the SLIMbus Clock Gear (CG).

Note that, if the Clock Gear (CG) on the bus is lower than the SLIMCLK\_REF\_GEAR, then the selected reference frequency cannot be supported, and the SLIMbus clock reference is disabled.

The SLIMbus clock reference is selected as input to the FLLs using the FLLn\_REFCLK\_SRC registers. See “Clocking and Sample Rates” for details of system clocking and the FLLs.

REGISTER ADDRESS	BIT	LABEL	DEFAULT	DESCRIPTION
R1507 (05E3h) SLIMbus Framer Ref Gear	4	SLIMCLK_SRC	0	SLIMbus Clock source Selects the SLIMbus reference clock in Active Framer mode. 0 = SYSCLK 1 = ASYNCCLK Note that the applicable clock must be enabled, and configured at the SLIMbus Root Frequency, in Active Framer mode.
	3:0	SLIMCLK_REF_GEAR [3:0]	4h	SLIMbus Clock Reference control. Sets the SLIMbus reference clock relative to the SLIMbus Root Frequency (RF). 0h = Clock stopped 1h = Gear 1 (RF / 512) 2h = Gear 2 (RF / 256) 3h = Gear 3 (RF / 128) 4h = Gear 4 (RF / 64) 5h = Gear 5 (RF / 32) 6h = Gear 6 (RF / 16) 7h = Gear 7 (RF / 8) 8h = Gear 8 (RF / 4) 9h = Gear 9 (RF / 2) Ah = Gear 10 (RF) All other codes are Reserved

**Table 59 SLIMbus Clock Reference Control**

## OUTPUT SIGNAL PATH

The WM8281 provides six stereo pairs of audio output signal paths. These outputs comprise ground-referenced headphone drivers, differential speaker drivers and digital output interfaces suitable for external speaker drivers. The output signal paths are summarised in Table 60.

SIGNAL PATH	DESCRIPTIONS	OUTPUT PINS
OUT1L, OUT1R	Ground-referenced headphone output	HPOUT1L, HPOUT1R
OUT2L, OUT2R	Ground-referenced headphone output	HPOUT2L, HPOUT2R
OUT3L, OUT3R	Ground-referenced headphone output	HPOUT3L, HPOUT3R
OUT4L, OUT4R	Differential speaker output	SPKOUTLN, SPKOUTLP, SPKOUTRP, SPKOUTRN
OUT5L, OUT5R	Digital speaker (PDM) output	SPKDAT1, SPKCLK1
OUT6L, OUT6R	Digital speaker (PDM) output	SPKDAT2, SPKCLK2

**Table 60 Output Signal Path Summary**

The analogue output paths incorporate high performance 24-bit sigma-delta DACs.

Under default conditions, the headphone drivers provide a stereo, single-ended output. A mono mode is also available on each headphone output pair, providing a differential (BTL) configuration. The ground-referenced headphone output paths incorporate a common mode feedback path for rejection of system-related noise. These outputs support direct connection to headphone loads, with no requirement for AC coupling capacitors.

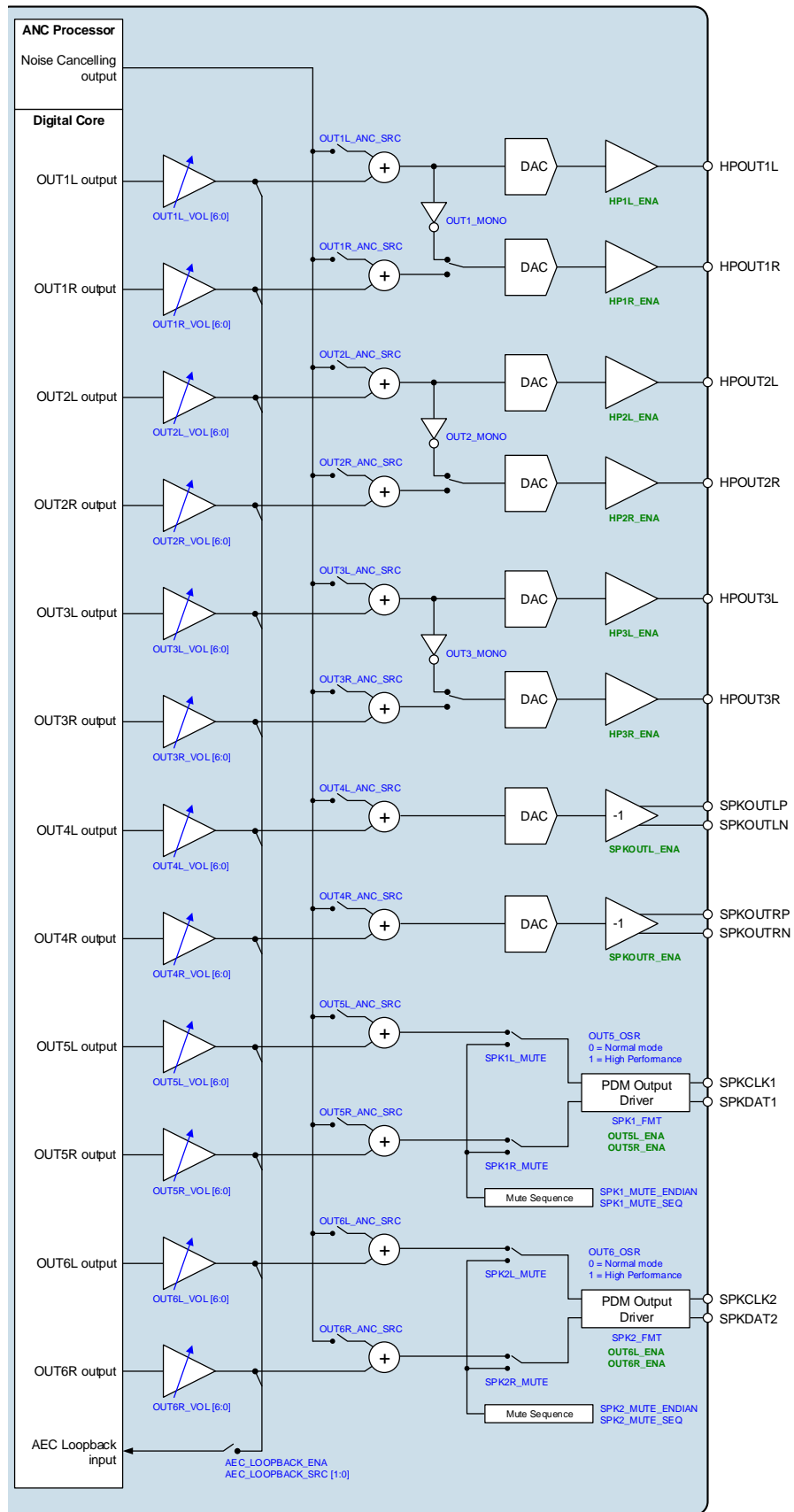
The speaker output paths are configured to drive a stereo pair of differential (BTL) outputs. The Class D design offers high efficiency at large signal levels. With a suitable choice of external speaker, the Class D output can drive loudspeakers directly, without any additional filter components.

The digital output paths provide two stereo Pulse Density Modulation (PDM) output interfaces, for connection to external audio devices. A total of four digital output channels are provided.

Digital volume control is available on all outputs (analogue and digital), with programmable ramp control for smooth, glitch-free operation. A configurable noise gate function is available on each of the output signal paths. Any of the output signal paths may be selected as input to the Acoustic Echo Cancellation (AEC) loopback path.

The WM8281 incorporates thermal protection functions, and also provides short-circuit detection on the Class D speaker and headphone output paths. For further details, refer to the "Thermal Shutdown and Short Circuit Protection" section.

The WM8281 output signal paths are illustrated in Figure 56. Note that a phase inversion is present in the Class D output (OUT4) path, as shown below.


**Figure 56 Output Signal Paths**

### OUTPUT SIGNAL PATH ENABLE

The output signal paths are enabled using the register bits described in Table 61. The respective bit(s) must be enabled for analogue or digital output on the respective output path(s).

The output signal paths are muted by default. It is recommended that de-selecting the mute should be the final step of the path enable control sequence. Similarly, the mute should be selected as the first step of the path disable control sequence. The output signal path mute functions are controlled using the register bits described in Table 64.

The supply rails for outputs (OUT1, OUT2 and OUT3) are generated using an integrated dual-mode Charge Pump, CP1. The Charge Pump is enabled automatically by the WM8281 when required by the output drivers. See the “Charge Pumps, Regulators and Voltage Reference” section for further details.

The WM8281 schedules a pop-suppressed control sequence to enable or disable the OUT1, OUT2, OUT3 and OUT4 signal paths. This is automatically managed in response to setting the respective HPnx\_ENA or SPKOUTx\_ENA register bits. See “Control Write Sequencer” for further details.

The headphone output (OUT1, OUT2, OUT3) enable control sequences are inputs to the Interrupt circuit, and can be used to trigger an Interrupt event when a sequence completes. See “Interrupts” for further details.

The headphone output (OUT1, OUT2, OUT3) enable control sequences can also generate a GPIO output, providing an external indication of the sequence status. See “General Purpose Input / Output” to configure a GPIO pin for this function.

The system clock, SYSCLK, must be configured and enabled before any audio path is enabled. The ASYNCLK may also be required, depending on the path configuration. See “Clocking and Sample Rates” for details of the system clocks.

The WM8281 performs automatic checks to confirm that the SYSCLK frequency is high enough to support the output signal paths and associated DACs. If an attempt is made to enable an output signal path, and there are insufficient SYSCLK cycles to support it, then the attempt will be unsuccessful. (Note that any signal paths that are already active will not be affected under these circumstances.)

The Underclocked Error condition can be monitored using the GPIO and/or Interrupt functions. See “General Purpose Input / Output” and “Interrupts” for further details.

The status bits in Register R1025 and R1030 indicate the status of each of the output signal paths. If an Underclocked Error condition occurs, then these bits provide readback of which signal path(s) have been successfully enabled.

REGISTER ADDRESS	BIT	LABEL	DEFAULT	DESCRIPTION
R1024 (0400h) Output Enables 1	11	OUT6L_ENA	0	Output Path 6 (Left) Enable 0 = Disabled 1 = Enabled
	10	OUT6R_ENA	0	Output Path 6 (Right) Enable 0 = Disabled 1 = Enabled
	9	OUT5L_ENA	0	Output Path 5 (Left) Enable 0 = Disabled 1 = Enabled
	8	OUT5R_ENA	0	Output Path 5 (Right) Enable 0 = Disabled 1 = Enabled
	7	SPKOUTL_ENA	0	Output Path 4 (Left) Enable 0 = Disabled 1 = Enabled
	6	SPKOUTR_ENA	0	Output Path 4 (Right) Enable 0 = Disabled 1 = Enabled
	5	HP3L_ENA	0	Output Path 3 (Left) Enable 0 = Disabled 1 = Enabled

REGISTER ADDRESS	BIT	LABEL	DEFAULT	DESCRIPTION
	4	HP3R_ENA	0	Output Path 3 (Right) Enable 0 = Disabled 1 = Enabled
	3	HP2L_ENA	0	Output Path 2 (Left) Enable 0 = Disabled 1 = Enabled
	2	HP2R_ENA	0	Output Path 2 (Right) Enable 0 = Disabled 1 = Enabled
	1	HP1L_ENA	0	Output Path 1 (Left) Enable 0 = Disabled 1 = Enabled
	0	HP1R_ENA	0	Output Path 1 (Right) Enable 0 = Disabled 1 = Enabled
R1025 (0401h) Output Status 1	11	OUT6L_ENA_STS	0	Output Path 6 (Left) Enable Status 0 = Disabled 1 = Enabled
	10	OUT6R_ENA_STS	0	Output Path 6 (Right) Enable Status 0 = Disabled 1 = Enabled
	9	OUT5L_ENA_STS	0	Output Path 5 (Left) Enable Status 0 = Disabled 1 = Enabled
	8	OUT5R_ENA_STS	0	Output Path 5 (Right) Enable Status 0 = Disabled 1 = Enabled
	7	OUT4L_ENA_STS	0	Output Path 4 (Left) Enable Status 0 = Disabled 1 = Enabled
	6	OUT4R_ENA_STS	0	Output Path 4 (Right) Enable Status 0 = Disabled 1 = Enabled
R1030 (0406h) Raw Output Status 1	5	OUT3L_ENA_STS	0	Output Path 3 (Left) Enable Status 0 = Disabled 1 = Enabled
	4	OUT3R_ENA_STS	0	Output Path 3 (Right) Enable Status 0 = Disabled 1 = Enabled
	3	OUT2L_ENA_STS	0	Output Path 2 (Left) Enable Status 0 = Disabled 1 = Enabled
	2	OUT2R_ENA_STS	0	Output Path 2 (Right) Enable Status 0 = Disabled 1 = Enabled
	1	OUT1L_ENA_STS	0	Output Path 1 (Left) Enable Status 0 = Disabled 1 = Enabled
	0	OUT1R_ENA_STS	0	Output Path 1 (Right) Enable Status 0 = Disabled 1 = Enabled

**Table 61 Output Signal Path Enable**

**OUTPUT SIGNAL PATH SAMPLE RATE CONTROL**

The output signal paths are derived from the respective output mixers within the WM8281 digital core. The sample rate for the output signal paths is configured using the OUT\_RATE register - see Table 23 within the "Digital Core" section.

Note that sample rate conversion is required when routing the output signal paths to any signal chain that is asynchronous and/or configured for a different sample rate.

**OUTPUT SIGNAL PATH CONTROL**

The SPKCLKn frequency of the PDM output paths (OUT5 and OUT6) is controlled by the respective OUTn\_OSR register, as described in Table 62. When the OUTn\_OSR bit is set, the audio performance is improved, but power consumption is also increased.

Note that the SPKCLKn frequencies noted in Table 62 assume that the SYSCLK frequency is a multiple of 6.144MHz (SYSCLK\_FRAC=0). If the SYSCLK frequency is a multiple of 5.6448MHz (SYSCLK\_FRAC=1), then the SPKCLKn frequencies will be scaled accordingly.

CONDITION	SPKCLKn FREQUENCY
OUTn_OSR = 0	3.072MHz
OUTn_OSR = 1	6.144MHz

**Table 62 SPKCLK Frequency**

The WM8281 incorporates a mono Ambient Noise Cancellation (ANC) processor which can provide noise reduction in many different operating conditions. The noise cancellation signal can be mixed into any of the output signal paths using the \_ANC\_SRC registers, as described in Table 63. See "Ambient Noise Cancellation" for further details of the ANC function.

REGISTER ADDRESS	BIT	LABEL	DEFAULT	DESCRIPTION
R1040 (0410h) Output Path Config 1L	11:10	OUT1L_ANC_SRC [1:0]	00	OUT1L ANC Source Select 00 = Disabled 01 = Enabled All other codes are Reserved
R1044 (0414h) Output Path Config 1R	11:10	OUT1R_ANC_SRC [1:0]	00	OUT1R ANC Source Select 00 = Disabled 01 = Enabled All other codes are Reserved
R1048 (0418h) Output Path Config 2L	11:10	OUT2L_ANC_SRC [1:0]	00	OUT2L ANC Source Select 00 = Disabled 01 = Enabled All other codes are Reserved
R1052 (041Ch) Output Path Config 2R	11:10	OUT2R_ANC_SRC [1:0]	00	OUT2R ANC Source Select 00 = Disabled 01 = Enabled All other codes are Reserved
R1056 (0420h) Output Path Config 3L	11:10	OUT3L_ANC_SRC [1:0]	00	OUT3L ANC Source Select 00 = Disabled 01 = Enabled All other codes are Reserved
R1062 (0426h) DAC Volume Limit 3R	11:10	OUT3R_ANC_SRC [1:0]	00	OUT3R ANC Source Select 00 = Disabled 01 = Enabled All other codes are Reserved



REGISTER ADDRESS	BIT	LABEL	DEFAULT	DESCRIPTION
R1064 (0428h) Output Path Config 4L	11:10	OUT4L_ANC_SR C [1:0]	00	OUT4L ANC Source Select 00 = Disabled 01 = Enabled All other codes are Reserved
R1068 (042Ch) Output Path Config 4R	11:10	OUT4R_ANC_SR C [1:0]	00	OUT4R ANC Source Select 00 = Disabled 01 = Enabled All other codes are Reserved
R1072 (0430h) Output Path Config 5L	13	OUT5_OSR	0	Output Path 5 Oversample Rate 0 = Normal mode 1 = High Performance mode
	11:10	OUT5L_ANC_SR C [1:0]	00	OUT5L ANC Source Select 00 = Disabled 01 = Enabled All other codes are Reserved
R1076 (0434h) Output Path Config 5R	11:10	OUT5R_ANC_SR C [1:0]	00	OUT5R ANC Source Select 00 = Disabled 01 = Enabled All other codes are Reserved
R1080 (0438h) Output Path Config 6L	13	OUT6_OSR	0	Output Path 6 Oversample Rate 0 = Normal mode 1 = High Performance mode
	11:10	OUT6L_ANC_SR C [1:0]	00	OUT6L ANC Source Select 00 = Disabled 01 = Enabled All other codes are Reserved
R1084 (043Ch) Output Path Config 6R	11:10	OUT6R_ANC_SR C [1:0]	00	OUT6R ANC Source Select 00 = Disabled 01 = Enabled All other codes are Reserved

**Table 63 Output Signal Path Control**

**OUTPUT SIGNAL PATH DIGITAL VOLUME CONTROL**

A digital volume control is provided on each of the output signal paths, providing -64dB to +31.5dB gain control in 0.5dB steps. An independent mute control is also provided for each output signal path.

Whenever the gain or mute setting is changed, the signal path gain is ramped up or down to the new settings at a programmable rate. For increasing gain (or un-mute), the rate is controlled by the OUT\_VI\_RAMP register. For decreasing gain (or mute), the rate is controlled by the OUT\_VD\_RAMP register. Note that the OUT\_VI\_RAMP and OUT\_VD\_RAMP registers should not be changed while a volume ramp is in progress.

The OUT\_VU bits control the loading of the output signal path digital volume and mute controls. When OUT\_VU is set to 0, the digital volume and mute settings will be loaded into the respective control register, but will not actually change the signal path gain. The digital volume and mute settings on all of the output signal paths are updated when a 1 is written to OUT\_VU. This makes it possible to update the gain of multiple signal paths simultaneously.

Note that, although the digital volume control registers provide 0.5dB steps, the internal circuits provide signal gain adjustment in 0.125dB steps. This allows a very high degree of gain control, and smooth volume ramping under all operating conditions.

The digital volume control register fields are described in Table 64 and Table 65.

REGISTER ADDRESS	BIT	LABEL	DEFAULT	DESCRIPTION
R1033 (0409h) Output Volume Ramp	6:4	OUT_VD_RAMP [2:0]	010	Output Volume Decreasing Ramp Rate (seconds/6dB) 000 = 0ms 001 = 0.5ms 010 = 1ms 011 = 2ms 100 = 4ms 101 = 8ms 110 = 15ms 111 = 30ms This register should not be changed while a volume ramp is in progress.
	2:0	OUT_VI_RAMP [2:0]	010	Output Volume Increasing Ramp Rate (seconds/6dB) 000 = 0ms 001 = 0.5ms 010 = 1ms 011 = 2ms 100 = 4ms 101 = 8ms 110 = 15ms 111 = 30ms This register should not be changed while a volume ramp is in progress.
R1041 (0411h) DAC Digital Volume 1L	9	OUT_VU		Output Signal Paths Volume Update Writing a 1 to this bit will cause the Output Signal Paths Volume and Mute settings to be updated simultaneously
	8	OUT1L_MUTE	1	Output Path 1 (Left) Digital Mute 0 = Un-mute 1 = Mute

REGISTER ADDRESS	BIT	LABEL	DEFAULT	DESCRIPTION
	7:0	OUT1L_VOL [7:0]	80h	Output Path 1 (Left) Digital Volume -64dB to +31.5dB in 0.5dB steps 00h = -64dB 01h = -63.5dB ... (0.5dB steps) 80h = 0dB ... (0.5dB steps) BFh = +31.5dB C0h to FFh = Reserved (See Table 65 for volume range)
R1045 (0415h) DAC Digital Volume 1R	9	OUT_VU		Output Signal Paths Volume Update Writing a 1 to this bit will cause the Output Signal Paths Volume and Mute settings to be updated simultaneously
	8	OUT1R_MUTE	1	Output Path 1 (Right) Digital Mute 0 = Un-mute 1 = Mute
	7:0	OUT1R_VOL [7:0]	80h	Output Path 1 (Right) Digital Volume -64dB to +31.5dB in 0.5dB steps 00h = -64dB 01h = -63.5dB ... (0.5dB steps) 80h = 0dB ... (0.5dB steps) BFh = +31.5dB C0h to FFh = Reserved (See Table 65 for volume range)
R1049 (0419h) DAC Digital Volume 2L	9	OUT_VU		Output Signal Paths Volume Update Writing a 1 to this bit will cause the Output Signal Paths Volume and Mute settings to be updated simultaneously
	8	OUT2L_MUTE	1	Output Path 2 (Left) Digital Mute 0 = Un-mute 1 = Mute
	7:0	OUT2L_VOL [7:0]	80h	Output Path 2 (Left) Digital Volume -64dB to +31.5dB in 0.5dB steps 00h = -64dB 01h = -63.5dB ... (0.5dB steps) 80h = 0dB ... (0.5dB steps) BFh = +31.5dB C0h to FFh = Reserved (See Table 65 for volume range)
R1053 (041Dh) DAC Digital Volume 2R	9	OUT_VU		Output Signal Paths Volume Update Writing a 1 to this bit will cause the Output Signal Paths Volume and Mute settings to be updated simultaneously
	8	OUT2R_MUTE	1	Output Path 2 (Right) Digital Mute 0 = Un-mute 1 = Mute

REGISTER ADDRESS	BIT	LABEL	DEFAULT	DESCRIPTION
	7:0	OUT2R_VOL [7:0]	80h	Output Path 2 (Right) Digital Volume -64dB to +31.5dB in 0.5dB steps 00h = -64dB 01h = -63.5dB ... (0.5dB steps) 80h = 0dB ... (0.5dB steps) BFh = +31.5dB C0h to FFh = Reserved (See Table 65 for volume range)
R1057 (0421h) DAC Digital Volume 3L	9	OUT_VU		Output Signal Paths Volume Update Writing a 1 to this bit will cause the Output Signal Paths Volume and Mute settings to be updated simultaneously
	8	OUT3L_MUTE	1	Output Path 3 (Left) Digital Mute 0 = Un-mute 1 = Mute
	7:0	OUT3L_VOL [7:0]	80h	Output Path 3 (Left) Digital Volume -64dB to +31.5dB in 0.5dB steps 00h = -64dB 01h = -63.5dB ... (0.5dB steps) 80h = 0dB ... (0.5dB steps) BFh = +31.5dB C0h to FFh = Reserved (See Table 65 for volume range)
R1061 (0425h) DAC Digital Volume 3R	9	OUT_VU		Output Signal Paths Volume Update Writing a 1 to this bit will cause the Output Signal Paths Volume and Mute settings to be updated simultaneously
	8	OUT3R_MUTE	1	Output Path 3 (Right) Digital Mute 0 = Un-mute 1 = Mute
	7:0	OUT3R_VOL [7:0]	80h	Output Path 3 (Right) Digital Volume -64dB to +31.5dB in 0.5dB steps 00h = -64dB 01h = -63.5dB ... (0.5dB steps) 80h = 0dB ... (0.5dB steps) BFh = +31.5dB C0h to FFh = Reserved (See Table 65 for volume range)
R1065 (0429h) DAC Digital Volume 4L	9	OUT_VU		Output Signal Paths Volume Update Writing a 1 to this bit will cause the Output Signal Paths Volume and Mute settings to be updated simultaneously
	8	OUT4L_MUTE	1	Output Path 4 (Left) Digital Mute 0 = Un-mute 1 = Mute

REGISTER ADDRESS	BIT	LABEL	DEFAULT	DESCRIPTION
	7:0	OUT4L_VOL [7:0]	80h	Output Path 4 (Left) Digital Volume -64dB to +31.5dB in 0.5dB steps 00h = -64dB 01h = -63.5dB ... (0.5dB steps) 80h = 0dB ... (0.5dB steps) BFh = +31.5dB C0h to FFh = Reserved (See Table 65 for volume range)
R1069 (042Dh) DAC Digital Volume 4R	9	OUT_VU		Output Signal Paths Volume Update Writing a 1 to this bit will cause the Output Signal Paths Volume and Mute settings to be updated simultaneously
	8	OUT4R_MUTE	1	Output Path 4 (Right) Digital Mute 0 = Un-mute 1 = Mute
	7:0	OUT4R_VOL [7:0]	80h	Output Path 4 (Right) Digital Volume -64dB to +31.5dB in 0.5dB steps 00h = -64dB 01h = -63.5dB ... (0.5dB steps) 80h = 0dB ... (0.5dB steps) BFh = +31.5dB C0h to FFh = Reserved (See Table 65 for volume range)
R1073 (0431h) DAC Digital Volume 5L	9	OUT_VU		Output Signal Paths Volume Update Writing a 1 to this bit will cause the Output Signal Paths Volume and Mute settings to be updated simultaneously
	8	OUT5L_MUTE	1	Output Path 5 (Left) Digital Mute 0 = Un-mute 1 = Mute
	7:0	OUT5L_VOL [7:0]	80h	Output Path 5 (Left) Digital Volume -64dB to +31.5dB in 0.5dB steps 00h = -64dB 01h = -63.5dB ... (0.5dB steps) 80h = 0dB ... (0.5dB steps) BFh = +31.5dB C0h to FFh = Reserved (See Table 65 for volume range)
R1077 (0435h) DAC Digital Volume 5R	9	OUT_VU		Output Signal Paths Volume Update Writing a 1 to this bit will cause the Output Signal Paths Volume and Mute settings to be updated simultaneously
	8	OUT5R_MUTE	1	Output Path 5 (Right) Digital Mute 0 = Un-mute 1 = Mute

REGISTER ADDRESS	BIT	LABEL	DEFAULT	DESCRIPTION
	7:0	OUT5R_VOL [7:0]	80h	Output Path 5 (Right) Digital Volume -64dB to +31.5dB in 0.5dB steps 00h = -64dB 01h = -63.5dB ... (0.5dB steps) 80h = 0dB ... (0.5dB steps) BFh = +31.5dB C0h to FFh = Reserved (See Table 65 for volume range)
R1081 (0439h) DAC Digital Volume 6L	9	OUT_VU		Output Signal Paths Volume Update Writing a 1 to this bit will cause the Output Signal Paths Volume and Mute settings to be updated simultaneously
	8	OUT6L_MUTE	1	Output Path 6 (Left) Digital Mute 0 = Un-mute 1 = Mute
	7:0	OUT6L_VOL [7:0]	80h	Output Path 6 (Left) Digital Volume -64dB to +31.5dB in 0.5dB steps 00h = -64dB 01h = -63.5dB ... (0.5dB steps) 80h = 0dB ... (0.5dB steps) BFh = +31.5dB C0h to FFh = Reserved (See Table 65 for volume range)
R1085 (043Dh) DAC Digital Volume 6R	9	OUT_VU		Output Signal Paths Volume Update Writing a 1 to this bit will cause the Output Signal Paths Volume and Mute settings to be updated simultaneously
	8	OUT6R_MUTE	1	Output Path 6 (Right) Digital Mute 0 = Un-mute 1 = Mute
	7:0	OUT6R_VOL [7:0]	80h	Output Path 6 (Right) Digital Volume -64dB to +31.5dB in 0.5dB steps 00h = -64dB 01h = -63.5dB ... (0.5dB steps) 80h = 0dB ... (0.5dB steps) BFh = +31.5dB C0h to FFh = Reserved (See Table 65 for volume range)

**Table 64 Output Signal Path Digital Volume Control**

Output Volume Register	Volume (dB)	Output Volume Register	Volume (dB)	Output Volume Register	Volume (dB)	Output Volume Register	Volume (dB)
00h	-64.0	40h	-32.0	80h	0.0	C0h	Reserved
01h	-63.5	41h	-31.5	81h	0.5	C1h	Reserved
02h	-63.0	42h	-31.0	82h	1.0	C2h	Reserved
03h	-62.5	43h	-30.5	83h	1.5	C3h	Reserved
04h	-62.0	44h	-30.0	84h	2.0	C4h	Reserved
05h	-61.5	45h	-29.5	85h	2.5	C5h	Reserved
06h	-61.0	46h	-29.0	86h	3.0	C6h	Reserved
07h	-60.5	47h	-28.5	87h	3.5	C7h	Reserved
08h	-60.0	48h	-28.0	88h	4.0	C8h	Reserved
09h	-59.5	49h	-27.5	89h	4.5	C9h	Reserved
0Ah	-59.0	4Ah	-27.0	8Ah	5.0	CAh	Reserved
0Bh	-58.5	4Bh	-26.5	8Bh	5.5	CBh	Reserved
0Ch	-58.0	4Ch	-26.0	8Ch	6.0	CCh	Reserved
0Dh	-57.5	4Dh	-25.5	8Dh	6.5	CDh	Reserved
0Eh	-57.0	4Eh	-25.0	8Eh	7.0	CEh	Reserved
0Fh	-56.5	4Fh	-24.5	8Fh	7.5	CFh	Reserved
10h	-56.0	50h	-24.0	90h	8.0	D0h	Reserved
11h	-55.5	51h	-23.5	91h	8.5	D1h	Reserved
12h	-55.0	52h	-23.0	92h	9.0	D2h	Reserved
13h	-54.5	53h	-22.5	93h	9.5	D3h	Reserved
14h	-54.0	54h	-22.0	94h	10.0	D4h	Reserved
15h	-53.5	55h	-21.5	95h	10.5	D5h	Reserved
16h	-53.0	56h	-21.0	96h	11.0	D6h	Reserved
17h	-52.5	57h	-20.5	97h	11.5	D7h	Reserved
18h	-52.0	58h	-20.0	98h	12.0	D8h	Reserved
19h	-51.5	59h	-19.5	99h	12.5	D9h	Reserved
1Ah	-51.0	5Ah	-19.0	9Ah	13.0	DAh	Reserved
1Bh	-50.5	5Bh	-18.5	9Bh	13.5	DBh	Reserved
1Ch	-50.0	5Ch	-18.0	9Ch	14.0	DCh	Reserved
1Dh	-49.5	5Dh	-17.5	9Dh	14.5	DDh	Reserved
1Eh	-49.0	5Eh	-17.0	9Eh	15.0	DEh	Reserved
1Fh	-48.5	5Fh	-16.5	9Fh	15.5	DFh	Reserved
20h	-48.0	60h	-16.0	A0h	16.0	E0h	Reserved
21h	-47.5	61h	-15.5	A1h	16.5	E1h	Reserved
22h	-47.0	62h	-15.0	A2h	17.0	E2h	Reserved
23h	-46.5	63h	-14.5	A3h	17.5	E3h	Reserved
24h	-46.0	64h	-14.0	A4h	18.0	E4h	Reserved
25h	-45.5	65h	-13.5	A5h	18.5	E5h	Reserved
26h	-45.0	66h	-13.0	A6h	19.0	E6h	Reserved
27h	-44.5	67h	-12.5	A7h	19.5	E7h	Reserved
28h	-44.0	68h	-12.0	A8h	20.0	E8h	Reserved
29h	-43.5	69h	-11.5	A9h	20.5	E9h	Reserved
2Ah	-43.0	6Ah	-11.0	AAh	21.0	EAh	Reserved
2Bh	-42.5	6Bh	-10.5	ABh	21.5	EBh	Reserved
2Ch	-42.0	6Ch	-10.0	ACh	22.0	ECh	Reserved
2Dh	-41.5	6Dh	-9.5	ADh	22.5	EDh	Reserved
2Eh	-41.0	6Eh	-9.0	AEnh	23.0	EEh	Reserved
2Fh	-40.5	6Fh	-8.5	AFh	23.5	EFh	Reserved
30h	-40.0	70h	-8.0	B0h	24.0	F0h	Reserved
31h	-39.5	71h	-7.5	B1h	24.5	F1h	Reserved
32h	-39.0	72h	-7.0	B2h	25.0	F2h	Reserved
33h	-38.5	73h	-6.5	B3h	25.5	F3h	Reserved
34h	-38.0	74h	-6.0	B4h	26.0	F4h	Reserved
35h	-37.5	75h	-5.5	B5h	26.5	F5h	Reserved
36h	-37.0	76h	-5.0	B6h	27.0	F6h	Reserved
37h	-36.5	77h	-4.5	B7h	27.5	F7h	Reserved
38h	-36.0	78h	-4.0	B8h	28.0	F8h	Reserved
39h	-35.5	79h	-3.5	B9h	28.5	F9h	Reserved
3Ah	-35.0	7Ah	-3.0	BAh	29.0	FAh	Reserved
3Bh	-34.5	7Bh	-2.5	BBh	29.5	FBh	Reserved
3Ch	-34.0	7Ch	-2.0	BCh	30.0	FCh	Reserved
3Dh	-33.5	7Dh	-1.5	BDh	30.5	FDh	Reserved
3Eh	-33.0	7Eh	-1.0	BEh	31.0	FEh	Reserved
3Fh	-32.5	7Fh	-0.5	BFh	31.5	FFh	Reserved

**Table 65 Output Signal Path Digital Volume Range**

**OUTPUT SIGNAL PATH DIGITAL VOLUME LIMIT**

A digital limit control is provided on each of the output signal paths. Any signal which exceeds the applicable limit will be clipped at that level. The limit control is implemented in the digital domain, before the output path DACs.

For typical applications, a limit of 0dBFS is recommended for the analogue output paths (OUT1, OUT2, OUT3 and OUT4).

The digital speaker outputs (OUT5 and OUT6) can handle signal levels up to +3dBFS; a maximum setting of +3dBFS is recommended for these output paths.

Caution is advised when selecting other limits, as the output signal may clip in the digital and/or analogue stages of the respective signal path(s)

The digital limit register fields are described in Table 66 and Table 67.

REGISTER ADDRESS	BIT	LABEL	DEFAULT	DESCRIPTION
R1042 (0412h DAC Volume Limit 1L	7:0	OUT1L_VOL_LIM [7:0]	81h	Output Path 1 (Left) Digital Limit -6dBFS to +6dBFS in 0.5dB steps 00h to 73h = Reserved 74h = -6.0dBFS 75h = -5.5dBFS ... (0.5dB steps) 80h = 0.0dBFS ... (0.5dB steps) 8Bh = +5.5dBFS 8Ch = +6.0dBFS 8Dh to FFh = Reserved (see Table 67 for limit range)
R1046 (0416h DAC Volume Limit 1R	7:0	OUT1R_VOL_LI M [7:0]	81h	Output Path 1 (Right) Digital Limit -6dBFS to +6dBFS in 0.5dB steps 00h to 73h = Reserved 74h = -6.0dBFS 75h = -5.5dBFS ... (0.5dB steps) 80h = 0.0dBFS ... (0.5dB steps) 8Bh = +5.5dBFS 8Ch = +6.0dBFS 8Dh to FFh = Reserved (see Table 67 for limit range)
R1050 (041Ah DAC Volume Limit 2L	7:0	OUT2L_VOL_LIM [7:0]	81h	Output Path 2 (Left) Digital Limit -6dBFS to +6dBFS in 0.5dB steps 00h to 73h = Reserved 74h = -6.0dBFS 75h = -5.5dBFS ... (0.5dB steps) 80h = 0.0dBFS ... (0.5dB steps) 8Bh = +5.5dBFS 8Ch = +6.0dBFS 8Dh to FFh = Reserved (see Table 67 for limit range)



REGISTER ADDRESS	BIT	LABEL	DEFAULT	DESCRIPTION
R1054 (041Eh) DAC Volume Limit 2R	7:0	OUT2R_VOL_LIM [7:0]	81h	Output Path 2 (Right) Digital Limit -6dBFS to +6dBFS in 0.5dB steps 00h to 73h = Reserved 74h = -6.0dBFS 75h = -5.5dBFS ... (0.5dB steps) 80h = 0.0dBFS ... (0.5dB steps) 8Bh = +5.5dBFS 8Ch = +6.0dBFS 8Dh to FFh = Reserved (see Table 67 for limit range)
R1058 (0422h) DAC Volume Limit 3L	7:0	OUT3L_VOL_LIM [7:0]	81h	Output Path 3 (Left) Digital Limit -6dBFS to +6dBFS in 0.5dB steps 00h to 73h = Reserved 74h = -6.0dBFS 75h = -5.5dBFS ... (0.5dB steps) 80h = 0.0dBFS ... (0.5dB steps) 8Bh = +5.5dBFS 8Ch = +6.0dBFS 8Dh to FFh = Reserved (see Table 67 for limit range)
R1062 (0426h) DAC Volume Limit 3R	7:0	OUT3R_VOL_LIM [7:0]	81h	Output Path 3 (Right) Digital Limit -6dBFS to +6dBFS in 0.5dB steps 00h to 73h = Reserved 74h = -6.0dBFS 75h = -5.5dBFS ... (0.5dB steps) 80h = 0.0dBFS ... (0.5dB steps) 8Bh = +5.5dBFS 8Ch = +6.0dBFS 8Dh to FFh = Reserved (see Table 67 for limit range)
R1066 (042Ah) DAC Volume Limit 4L	7:0	OUT4L_VOL_LIM [7:0]	81h	Output Path 4 (Left) Digital Limit -6dBFS to +6dBFS in 0.5dB steps 00h to 73h = Reserved 74h = -6.0dBFS 75h = -5.5dBFS ... (0.5dB steps) 80h = 0.0dBFS ... (0.5dB steps) 8Bh = +5.5dBFS 8Ch = +6.0dBFS 8Dh to FFh = Reserved (see Table 67 for limit range)

REGISTER ADDRESS	BIT	LABEL	DEFAULT	DESCRIPTION
R1070 (042Eh) DAC Volume Limit 4R	7:0	OUT4R_VOL_LIM [7:0]	81h	Output Path 4 (Right) Digital Limit -6dBFS to +6dBFS in 0.5dB steps 00h to 73h = Reserved 74h = -6.0dBFS 75h = -5.5dBFS ... (0.5dB steps) 80h = 0.0dBFS ... (0.5dB steps) 8Bh = +5.5dBFS 8Ch = +6.0dBFS 8Dh to FFh = Reserved (see Table 67 for limit range)
R1074 (0432h) DAC Volume Limit 5L	7:0	OUT5L_VOL_LIM [7:0]	81h	Output Path 5 (Left) Digital Limit -6dBFS to +6dBFS in 0.5dB steps 00h to 73h = Reserved 74h = -6.0dBFS 75h = -5.5dBFS ... (0.5dB steps) 80h = 0.0dBFS ... (0.5dB steps) 8Bh = +5.5dBFS 8Ch = +6.0dBFS 8Dh to FFh = Reserved (see Table 67 for limit range)
R1078 (0436h) DAC Volume Limit 5R	7:0	OUT5R_VOL_LIM [7:0]	81h	Output Path 5 (Right) Digital Limit -6dBFS to +6dBFS in 0.5dB steps 00h to 73h = Reserved 74h = -6.0dBFS 75h = -5.5dBFS ... (0.5dB steps) 80h = 0.0dBFS ... (0.5dB steps) 8Bh = +5.5dBFS 8Ch = +6.0dBFS 8Dh to FFh = Reserved (see Table 67 for limit range)
R1082 (043Ah) DAC Volume Limit 6L	7:0	OUT6L_VOL_LIM [7:0]	81h	Output Path 6 (Left) Digital Limit -6dBFS to +6dBFS in 0.5dB steps 00h to 73h = Reserved 74h = -6.0dBFS 75h = -5.5dBFS ... (0.5dB steps) 80h = 0.0dBFS ... (0.5dB steps) 8Bh = +5.5dBFS 8Ch = +6.0dBFS 8Dh to FFh = Reserved (see Table 67 for limit range)

REGISTER ADDRESS	BIT	LABEL	DEFAULT	DESCRIPTION
R1086 (043Eh DAC Volume Limit 6R	7:0	OUT6R_VOL_LIM [7:0]	81h	Output Path 6 (Right) Digital Limit -6dBFS to +6dBFS in 0.5dB steps 00h to 73h = Reserved 74h = -6.0dBFS 75h = -5.5dBFS ... (0.5dB steps) 80h = 0.0dBFS ... (0.5dB steps) 8Bh = +5.5dBFS 8Ch = +6.0dBFS 8Dh to FFh = Reserved (see Table 67 for limit range)

**Table 66 Output Signal Path Digital Limit Control**

OUTnL_VOL_LIM[7:0], OUTnR_VOL_LIM[7:0]	LIMIT (dBFS)
00h to 73h	Reserved
74h	-6.0
75h	-5.5
76h	-5.0
77h	-4.5
78h	-4.0
79h	-3.5
7Ah	-3.0
7Bh	-2.5
7Ch	-2.0
7Dh	-1.5
7Eh	-1.0
7Fh	-0.5
80h	0.0
81h	+0.5
82h	+1.0
83h	+1.5
84h	+2.0
85h	+2.5
86h	+3.0
87h	+3.5
88h	+4.0
89h	+4.5
8Ah	+5.0
8Bh	+5.5
8Ch	+6.0
8Dh to FFh	Reserved

**Table 67 Output Signal Path Digital Limit Range**

**OUTPUT SIGNAL PATH NOISE GATE CONTROL**

The WM8281 provides a digital noise gate function for each of the output signal paths. The noise gate ensures best noise performance when the signal path is idle. When the noise gate is enabled, and the applicable signal level is below the noise gate threshold, then the noise gate is activated, causing the signal path to be muted.

The noise gate function is enabled using the NGATE\_ENA register, as described in Table 68.

For each output path, the noise gate may be associated with one or more of the signal path threshold detection functions using the \_NGATE\_SRC register fields. When more than one signal threshold is selected, then the output path noise gate is only activated (ie. muted) when all of the respective signal thresholds are satisfied.

For example, if the OUT1L noise gate is associated with the OUT1L and OUT1R signal paths, then the OUT1L signal path will only be muted if both the OUT1L and OUT1R signal levels are below the respective thresholds.

The noise gate threshold (the signal level below which the noise gate is activated) is set using NGATE\_THR. Note that, for each output path, the noise gate threshold represents the signal level at the respective output pin(s) - the threshold is therefore independent of the digital volume and PGA gain settings.

Note that, although there is only one noise gate threshold level (NGATE\_THR), each of the output path noise gates may be activated independently, according to the respective signal content and the associated threshold configuration(s).

To prevent erroneous triggering, a time delay is applied before the gate is activated; the noise gate is only activated (ie. muted) when the output levels are below the applicable signal level threshold(s) for longer than the noise gate 'hold time'. The 'hold time' is set using the NGATE\_HOLD register.

When the noise gate is activated, the WM8281 gradually attenuates the respective signal path at the rate set by the OUT\_VD\_RAMP register (see Table 64). When the noise gate is de-activated, the output volume increases at the rate set by the OUT\_VI\_RAMP register.

REGISTER ADDRESS	BIT	LABEL	DEFAULT	DESCRIPTION
R1043 (0413h) Noise Gate Select 1L	11:0	OUT1L_NGATE_SRC [11:0]	001h	Output Signal Path Noise Gate Source Enables one of more signal paths as inputs to the respective noise gate. If more than one signal path is enabled as an input, the noise gate is only activated (ie. muted) when all of the respective signal thresholds are satisfied.  [11] = OUT6R [10] = OUT6L [9] = OUT5R [8] = OUT5L [7] = OUT4R [6] = OUT4L [5] = OUT3R [4] = OUT3L [3] = OUT2R [2] = OUT2L [1] = OUT1R [0] = OUT1L  Each bit is coded as: 0 = Disabled 1 = Enabled
R1047 (0417h) Noise Gate Select 1R	11:0	OUT1R_NGATE_SRC [11:0]	002h	
R1051 (041Bh) Noise Gate Select 2L	11:0	OUT2L_NGATE_SRC [11:0]	004h	
R1055 (041Fh) Noise Gate Select 2R	11:0	OUT2R_NGATE_SRC [11:0]	008h	
R1059 (0423h) Noise Gate Select 3L	11:0	OUT3L_NGATE_SRC [11:0]	010h	
R1063 (0427h) Noise Gate Select 3R	11:0	OUT3R_NGATE_SRC [11:0]	020h	

REGISTER ADDRESS	BIT	LABEL	DEFAULT	DESCRIPTION
R1067 (042Bh) Noise Gate Select 4L	11:0	OUT4L_NGATE_SRC [11:0]	040h	
R1071 (042Fh) Noise Gate Select 4R	11:0	OUT4R_NGATE_SRC [11:0]	080h	
R1075 (0433h) Noise Gate Select 5L	11:0	OUT5L_NGATE_SRC [11:0]	100h	
R1079 (0437h) Noise Gate Select 5R	11:0	OUT5R_NGATE_SRC [11:0]	200h	
R1083 (043Bh) Noise Gate Select 6L	11:0	OUT6L_NGATE_SRC [11:0]	400h	
R1087 (043Fh) Noise Gate Select 6R	11:0	OUT6R_NGATE_SRC [11:0]	800h	
R1112 (0458h) Noise Gate Control	5:4	NGATE_HOLD [1:0]	00	Output Signal Path Noise Gate Hold Time (delay before noise gate is activated) 00 = 30ms 01 = 120ms 10 = 250ms 11 = 500ms
	3:1	NGATE_THR [2:0]	000	Output Signal Path Noise Gate Threshold 000 = -60dB 001 = -66dB 010 = -72dB 011 = -78dB 100 = -84dB 101 = -90dB 110 = -96dB 111 = -102dB
	0	NGATE_ENA	0	Output Signal Path Noise Gate Enable 0 = Disabled 1 = Enabled

**Table 68 Output Signal Path Noise Gate Control**

**OUTPUT SIGNAL PATH AEC LOOPBACK**

The WM8281 incorporates loopback signal path, which is ideally suited as a reference for Acoustic Echo Cancellation (AEC) processing. Any of the output signal paths may be selected as the AEC loopback source.

When configured with suitable DSP firmware, the WM8281 can provide an integrated AEC capability. The AEC loopback feature also enables convenient hook-up to an external device for implementing the required signal processing algorithms.

The AEC Loopback source is connected after the respective digital volume controls, as illustrated in Figure 56. The AEC Loopback signal can be selected as input to any of the digital mixers within the WM8281 digital core. The sample rate for the AEC Loopback path is configured using the OUT\_RATE register - see Table 23 within the “Digital Core” section.

The AEC loopback function is enabled using the AEC\_LOOPBACK\_ENA register. The source signal for the Transmit Path AEC function is selected using the AEC\_LOOPBACK\_SRC register.

The WM8281 performs automatic checks to confirm that the SYSCLK frequency is high enough to support the AEC Loopback function. If an attempt is made to enable this function, and there are insufficient SYSCLK cycles to support it, then the attempt will be unsuccessful. (Note that any signal paths that are already active will not be affected under these circumstances.)

The Underclocked Error condition can be monitored using the GPIO and/or Interrupt functions. See “General Purpose Input / Output” and “Interrupts” for further details.

The AEC\_ENA\_STS register indicates the status of the AEC Loopback function. If an Underclocked Error condition occurs, then this bit can provide indication of whether the AEC Loopback function has been successfully enabled.

REGISTER ADDRESS	BIT	LABEL	DEFAULT	DESCRIPTION
R1104 (0450h) DAC AEC Control 1	5:2	AEC_LOOPBAC K_SRC [3:0]	0000	Input source for Tx AEC function 0000 = OUT1L 0001 = OUT1R 0010 = OUT2L 0011 = OUT2R 0100 = OUT3L 0101 = OUT3R 0110 = OUT4L 0111 = OUT4R 1000 = OUT5L 1001 = OUT5R 1010 = OUT6L 1011 = OUT6R All other codes are Reserved
	1	AEC_ENA_STS	0	Transmit (Tx) Path AEC Control Status 0 = Disabled 1 = Enabled
	0	AEC_LOOPBAC K_ENA	0	Transmit (Tx) Path AEC Control 0 = Disabled 1 = Enabled

**Table 69 Output Signal Path AEC Loopback Control**

## HEADPHONE OUTPUTS AND MONO MODE

The headphone drivers can provide a mono differential (BTL) output; this is ideal for driving an earpiece or hearing aid coil. The mono differential (BTL) configuration is selected using the OUTn\_MONO register bits.

When the OUTn\_MONO bit is set, then the respective Right channel output is an inverted copy of the Left channel output signal; this creates a differential output between the respective OUTnL and OUTnR signal paths. The Left and Right channel output drivers must both be enabled in Mono mode; both channels should be enabled simultaneously using the register bits described in Table 61.

The mono (BTL) signal paths are illustrated in Figure 56. Note that, in mono configuration, the effective gain of the signal path is increased by 6dB.

The OUT1L and OUT1R output signal paths are associated with the analogue outputs HPOUT1L and HPOUT1R respectively.

The OUT2L and OUT2R output signal paths are associated with the analogue outputs HPOUT2L and HPOUT2R respectively.

The OUT3L and OUT3R output signal paths are associated with the analogue outputs HPOUT3L and HPOUT3R respectively.

REGISTER ADDRESS	BIT	LABEL	DEFAULT	DESCRIPTION
R1040 (0410h) Output Path Config 1L	12	OUT1_MONO	0	Output Path 1 Mono Mode (Configures HPOUT1L and HPOUT1R as a mono differential output.) 0 = Disabled 1 = Enabled The gain of the signal path is increased by 6dB in differential (mono) mode.
R1048 (0418h) Output Path Config 2L	12	OUT2_MONO	0	Output Path 2 Mono Mode (Configures HPOUT2L and HPOUT2R as a mono differential output.) 0 = Disabled 1 = Enabled The gain of the signal path is increased by 6dB in differential (mono) mode.
R1056 (0420h) Output Path Config 3L	12	OUT3_MONO	0	Output Path 3 Mono Mode (Configures HPOUT3L and HPOUT3R as a mono differential output.) 0 = Disabled 1 = Enabled The gain of the signal path is increased by 6dB in differential (mono) mode.

**Table 70 Headphone Driver Mono Mode Control**

The headphone driver outputs HPOUT1L, HPOUT1R, HPOUT2L, HPOUT2R, HPOUT3L and HPOUT3R are suitable for direct connection to external headphones and earpieces. The outputs are ground-referenced, eliminating any requirement for AC coupling capacitors.

The headphone outputs incorporate a common mode, or ground loop, feedback path which provides rejection of system-related ground noise. The feedback pins must be connected to ground for normal operation of the headphone outputs.

Note that the feedback pins should be connected to GND close to the respective headphone jack, as illustrated in Figure 57. In mono (differential) mode, the feedback pin(s) should be connected to the ground plane that is physically closest to the earpiece output PCB tracks.

The ground feedback path for HPOUT1L and HPOUT1R is provided via the HPOUT1FB1 or HPOUT1FB2 pins; the applicable connection must be selected using the ACCDET\_SRC register, as described in Table 71.

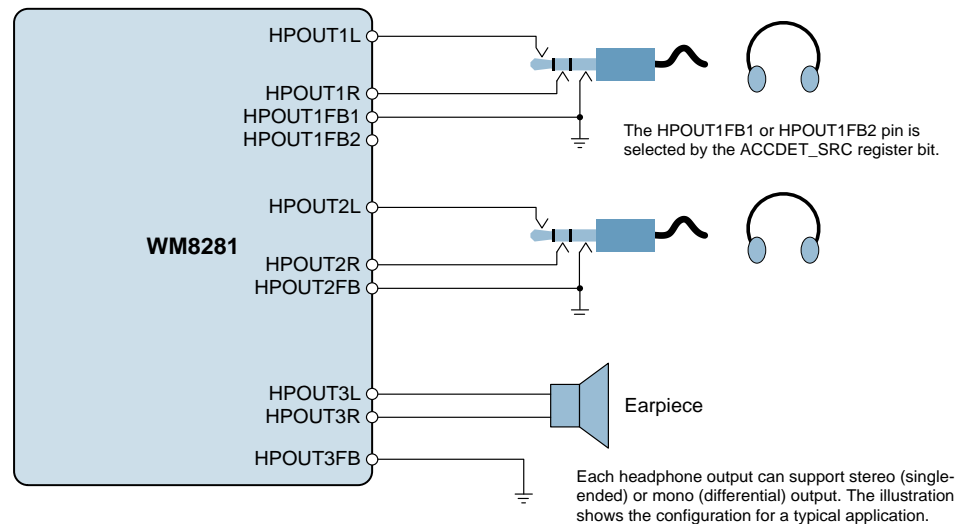
The ground feedback path for HPOUT2L and HPOUT2R is provided via the HPOUT2FB pin. No register configuration is required for the HPOUT2FB connection.

The ground feedback path for HPOUT3L and HPOUT3R is provided via the HPOUT3FB pin. No register

configuration is required for the HPOUT3FB connection.

REGISTER ADDRESS	BIT	LABEL	DEFAULT	DESCRIPTION
R659 (0293h) Accessory Detect Mode 1	13	ACCDET_SRC	0	Accessory Detect / Headphone Feedback pin select 0 = Accessory detect on MICDET1, Headphone ground feedback on HPOUT1FB1 1 = Accessory detect on MICDET2, Headphone ground feedback on HPOUT1FB2

**Table 71 Headphone Output (HPOUT1) Ground Feedback Control**



**Figure 57 Headphone and Earpiece Connection**

## SPEAKER OUTPUTS (ANALOGUE)

The speaker driver outputs SPKOUTLP, SPKOUTLN, SPKOUTRP and SPKOUTRN provide two differential (BTL) outputs suitable for direct connection to external loudspeakers. The integrated Class D speaker driver provides high efficiency at large signal levels.

The speaker driver signal paths incorporate a boost function which shifts the signal levels between the AVDD and SPKVDD voltage domains. The boost is pre-configured (+12dB) for the recommended AVDD and SPKVDD operating voltages (see “Recommended Operating Conditions”).

Ultra-low leakage and high PSRR allow the speaker supply SPKVDD to be connected directly to a lithium battery. Note that SPKVDDL powers the Left Speaker driver, and SPKVDDR powers the Right Speaker driver; it is assumed that SPKVDDL = SPKVDDR = SPKVDD.

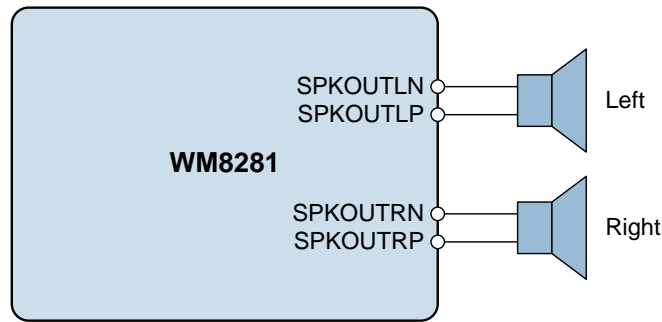
Note that SYSCLK must be present and enabled when using the Class D speaker output; see “Clocking and Sample Rates” for details of SYSCLK and the associated register control fields.

The OUT4L and OUT4R output signal paths are associated with the analogue outputs SPKOUTLP, SPKOUTLN, SPKOUTRP and SPKOUTRN.

The Class D speaker output is a pulse width modulated signal, and requires external filtering in order to recreate the audio signal. With a suitable choice of external speakers, the speakers themselves can provide the necessary filtering. See “Applications Information” for further information on Class D speaker connections.

The external speaker connection is illustrated in Figure 58, assuming suitable speakers are chosen to provide the PWM filtering.





**Figure 58 Speaker Connection**

### SPEAKER OUTPUTS (DIGITAL PDM)

The WM8281 supports a four-channel Pulse Density Modulation (PDM) digital speaker interface; the PDM outputs are associated with the OUT5L, OUT5R, OUT6L and OUT6R output signal paths.

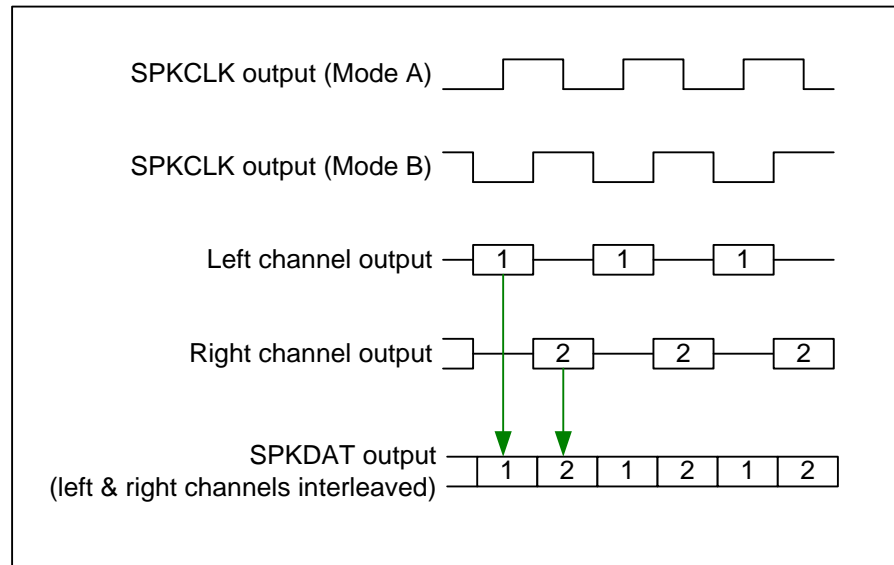
The PDM digital speaker interface comprises two stereo interfaces; the operation of one interface is illustrated in Figure 59.

The OUT5L and OUT5R output signal paths are interleaved on the SPKDAT1 output pin, and clocked using SPKCLK1. The OUT6L and OUT6R output signal paths are interleaved on the SPKDAT2 output pin, and clocked using SPKCLK2.

Note that the PDM interface supports two different operating modes; these are selected using the SPK1\_FMT and SPK2\_FMT register bits. See “Signal Timing Requirements” for detailed timing information in both modes.

When  $SPK_n\_FMT = 0$  (Mode A), then the Left PDM channel is valid at the rising edge of SPKCLK; the Right PDM channel is valid at the falling edge of SPKCLK.

When  $SPK_n\_FMT = 1$  (Mode B), then the Left PDM channel is valid during the low phase of SPKCLK; the Right PDM channel is valid during the high phase of SPKCLK.



**Figure 59 Digital Speaker (PDM) Interface Timing**

Clocking for the PDM interface is derived from SYSCLK. Note that the SYSCLK\_ENA register must also be set. See “Clocking and Sample Rates” for further details of the system clocks and control registers.

When the OUT5L or OUT5R output signal path is enabled, the PDM interface clock signal is output on the SPKCLK1 pin.

When the OUT6L or OUT6R output signal path is enabled, the PDM interface clock signal is output on the SPKCLK2 pin.

The output signal paths support normal and high performance operating modes, as described in the “Output Signal Path” section. The SPKCLK $n$  frequency is set according to the operating mode of the relevant output path, as described in Table 72. The OUT5\_OSR and OUT6\_OSR register bits are defined in Table 63.

Note that the SPKCLK $n$  frequencies noted in Table 72 and Table 73 assume that the SYSCLK frequency is a multiple of 6.144MHz (SYSCLK\_FRAC=0). If the SYSCLK frequency is a multiple of 5.6448MHz (SYSCLK\_FRAC=1), then the SPKCLK $n$  frequencies will be scaled accordingly.

OUT5_OSR	DESCRIPTION	SPKCLK1 FREQUENCY
0	Normal mode	3.072MHz
1	High Performance mode	6.144MHz

**Table 72 SPKCLK1 Frequency**

OUT6_OSR	DESCRIPTION	SPKCLK2 FREQUENCY
0	Normal mode	3.072MHz
1	High Performance mode	6.144MHz

**Table 73 SPKCLK2 Frequency**

The PDM output channels can be independently muted. When muted, the default output on each channel is a DSD-compliant silent stream (0110\_1001b). The mute output code can be programmed to other values if required, using the SPK $n$ \_MUTE\_SEQ register fields. The mute output code can be transmitted MSB-first or LSB-first; this is selectable using the SPK $n$ \_MUTE\_ENDIAN register.

Note that the PDM Mute function is not a soft-mute; the audio output is interrupted immediately when the PDM mute is asserted. It is recommended to use the Output Signal Path mute function before applying the PDM mute. See Table 64 for details of the OUT $n$ L\_MUTE and OUT $n$ R\_MUTE registers.

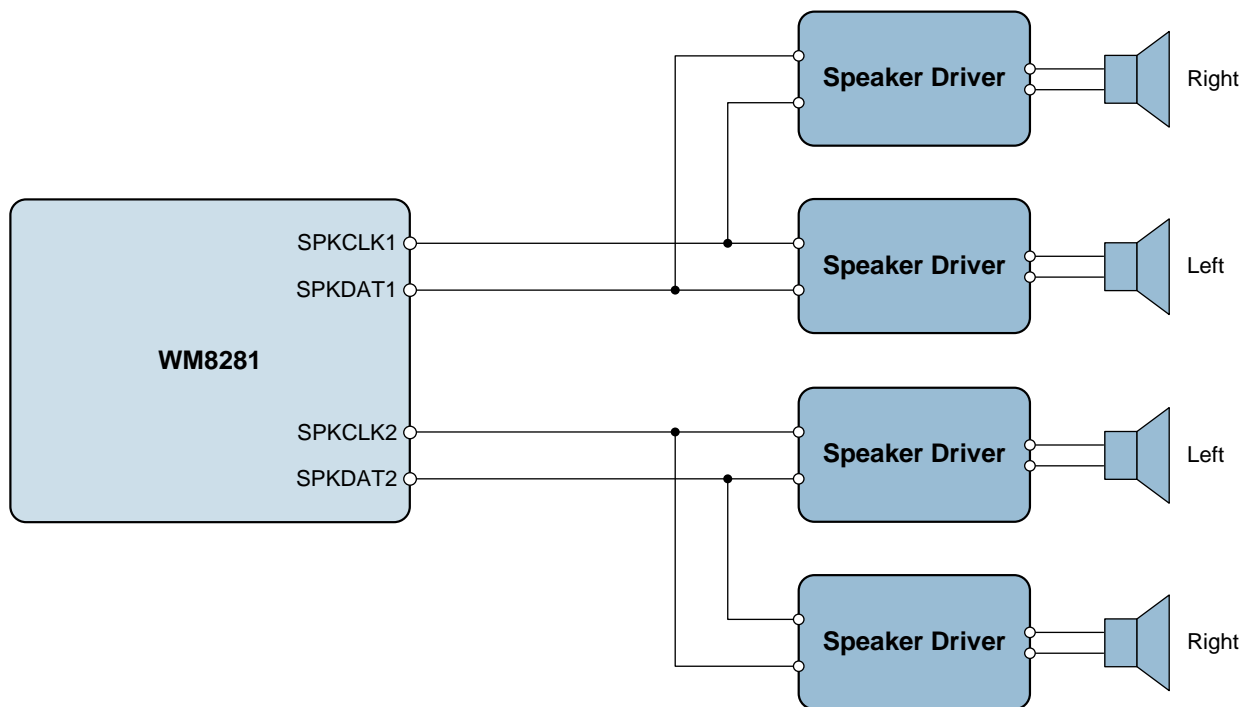
The PDM output interface registers are described in Table 74.

REGISTER ADDRESS	BIT	LABEL	DEFAULT	DESCRIPTION
R1168 (0490h) PDM SPK1 CTRL 1	13	SPK1R_MUTE	0	PDM Speaker Output 1 (Right) Mute 0 = Audio output (OUT5R) 1 = Mute Sequence output
	12	SPK1L_MUTE	0	PDM Speaker Output 1 (Left) Mute 0 = Audio output (OUT5L) 1 = Mute Sequence output
	8	SPK1_MUTE_ENDIAN	0	PDM Speaker Output 1 Mute Sequence Control 0 = Mute sequence is LSB first 1 = Mute sequence output is MSB first
	7:0	SPK1_MUTE_SEQ [7:0]	69h	PDM Speaker Output 1 Mute Sequence Defines the 8-bit code that is output on SPKDAT1 (left) or SPKDAT1 (right) when muted.
R1169 (0491h) PDM SPK1 CTRL 2	0	SPK1_FMT	0	PDM Speaker Output 1 timing format 0 = Mode A (PDM data is valid at the rising/falling edges of SPKCLK1) 1 = Mode B (PDM data is valid during the high/low phase of SPKCLK1)
R1170 (0492h) PDM SPK2 CTRL 1	13	SPK2R_MUTE	0	PDM Speaker Output 2 (Right) Mute 0 = Audio output (OUT6R) 1 = Mute Sequence output
	12	SPK2L_MUTE	0	PDM Speaker Output 2 (Left) Mute 0 = Audio output (OUT6L) 1 = Mute Sequence output

REGISTER ADDRESS	BIT	LABEL	DEFAULT	DESCRIPTION
	8	SPK2_MUTE_EN DIAN	0	PDM Speaker Output 2 Mute Sequence Control 0 = Mute sequence is LSB first 1 = Mute sequence output is MSB first
	7:0	SPK2_MUTE_SE Q [7:0]	69h	PDM Speaker Output 2 Mute Sequence Defines the 8-bit code that is output on SPKDAT2 (left) or SPKDAT2 (right) when muted.
R1171 (0493h) PDM SPK2 CTRL 2	0	SPK2_FMT	0	PDM Speaker Output 2 timing format 0 = Mode A (PDM data is valid at the rising/falling edges of SPKCLK2) 1 = Mode B (PDM data is valid during the high/low phase of SPKCLK2)

**Table 74 Digital Speaker (PDM) Output Control**

The digital speaker (PDM) outputs SPKDAT $n$  and SPKCLK $n$  are intended for direct connection to a compatible external speaker driver. A typical configuration is illustrated in Figure 60.



**Figure 60 Digital Speaker (PDM) Connection**

## EXTERNAL ACCESSORY DETECTION

The WM8281 provides external accessory detection functions which can sense the presence and impedance of external components. This can be used to detect the insertion or removal of an external headphone or headset, and to provide an indication of key/button push events.

Jack insertion is detected using the JACKDET pin, which must be connected to a switch contact within the jack socket. An Interrupt event is generated whenever a jack insertion or jack removal event is detected. The jack detect function can also be used to trigger a Wake-Up transition (ie. exit from Sleep mode) and/or to trigger the Control Write Sequencer.

Suppression of pops and clicks caused by jack insertion or removal is provided using the MICDET clamp function. This function can also be used to trigger interrupt events, a Wake-Up transition (ie. exit from Sleep mode) and/or to trigger the Control Write Sequencer. The integrated General Purpose Switch can be synchronised with the MICDET clamp, to provide additional pop suppression capability.

Microphones, push-buttons and other accessories can be detected via the MICDET1 or MICDET2 pins. The presence of a microphone, and the status of a hookswitch can be detected. This feature can also be used to detect push-button operation.

Headphone impedance can be detected via the HPDETL and HPDETR pins; this can be used to set different gain levels or other configuration settings according to the type of load connected. For example, different settings may be applicable to Headphone or Line output loads.

The MICVDD power domain must be enabled when using the Microphone Detect function. (Note that MICVDD is not required for the Jack Detect or Headphone Detect functions.) The MICVDD power domain is provided using an internal Charge Pump (CP2) and LDO Regulator (LDO2). See “Charge Pumps, Regulators and Voltage Reference” for details of these circuits.

The internal 32kHz clock must be present and enabled when using the jack insertion or accessory detection functions; see “Clocking and Sample Rates” for details of the internal 32kHz clock and associated register control fields.

### JACK DETECT

The WM8281 provides support for jack insertion switch detection. The jack insertion status can be read using the relevant register status bit. A jack insertion or removal can also be used to trigger an interrupt (IRQ) event or to trigger the Control Write Sequencer.

When the WM8281 is in the low-power Sleep mode (see “Low Power Sleep Configuration”), the jack detect function can be used as a ‘wake-up’ input; a typical use case is where an application is idle in standby mode until a headphone or headset jack is inserted.

Jack insertion and removal is detected using the JACKDET pin. The recommended external connection circuit is illustrated in Figure 61.

The jack detect feature is enabled using JD1\_ENA; the jack insertion status can be read using the JD1\_STS register.

The JACKDET input de-bounce is selected using the JD1\_DB register, as described in Table 75. Note that the de-bounce circuit uses the 32kHz clock, which must be enabled whenever input de-bounce functions are required.

Note that the Jack Detect signal, JD1, can be used as an input to the MICDET Clamp function. This provides additional functionality relating to jack insertion or jack removal events.

An Interrupt Request (IRQ) event is generated whenever a jack insertion or jack removal is detected (see “Interrupts”). Separate ‘mask’ bits are provided to enable IRQ events on the rising and/or falling edge of the JD1 status.

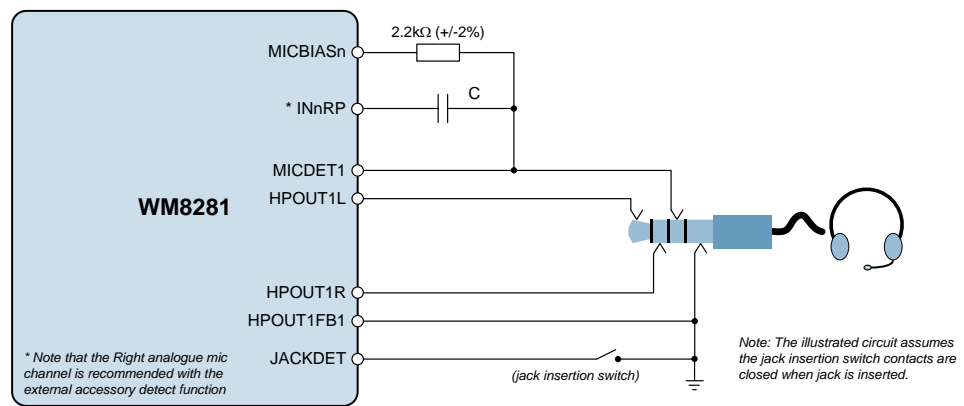
The Control Write Sequencer can be triggered by a jack insertion or jack removal detection. This is enabled using register bits described in the “Low Power Sleep Configuration” section.

The control registers associated with the Jack Detect function are described in Table 75.

REGISTER ADDRESS	BIT	LABEL	DEFAULT	DESCRIPTION
R723 (02D3h) Jack detect analogue	0	JD1_ENA	0	JACKDET enable 0 = Disabled 1 = Enabled
R3413 (0D55h) AOD IRQ Raw Status	0	JD1_STS	0	JACKDET input status 0 = Jack not detected 1 = Jack is detected (Assumes the JACKDET pin is pulled 'low' on Jack insertion.)
R3414 (0D56h) Jack detect debounce	0	JD1_DB	0	JACKDET input de-bounce 0 = Disabled 1 = Enabled

**Table 75 Jack Detect Control**

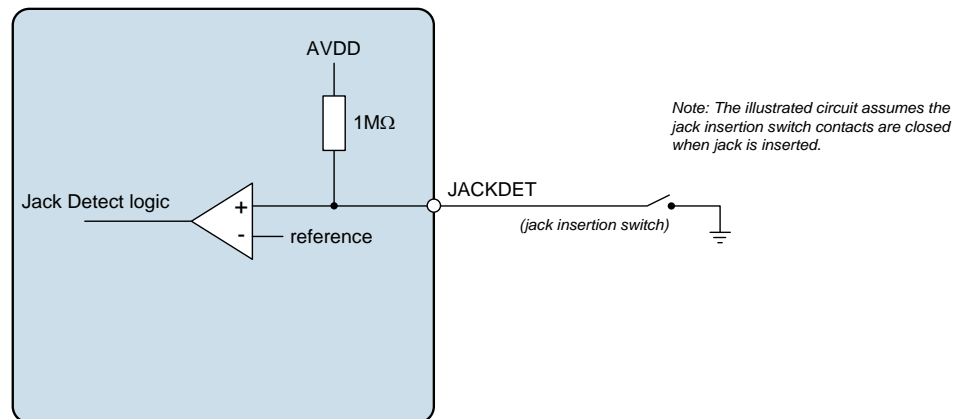
A recommended connection circuit, including headphone output on HPOUT1 and microphone connections, is shown in Figure 61. See “Applications Information” for details of recommended external components.



**Figure 61 Jack Detect and External Accessory Connections**

The internal comparator circuit used to detect the JACKDET status is illustrated in Figure 62.

The threshold voltages for the jack detect circuit are noted in the “Electrical Characteristics”. Note that separate thresholds are defined for jack insertion and jack removal.



**Figure 62 Jack Detect Comparator**

## JACK POP SUPPRESSION (MICDET CLAMP AND GP SWITCH)

Under typical configuration of a 3.5mm headphone/accessory jack connection, there is a risk of pops and clicks arising from jack insertion or removal. This can occur when the headphone load makes momentary contact with the MICBIAS output when the jack is not fully inserted, as illustrated in Figure 63.

The WM8281 provides a MICDET Clamp function to suppress pops and clicks caused by jack insertion or removal. The clamp is activated by a configurable logic function derived from external logic inputs. The clamp status can be read using the relevant register status bit. The clamp status can also be used to trigger an interrupt (IRQ) event or to trigger the Control Write Sequencer.

When the WM8281 is in the low-power Sleep mode, the MICDET Clamp function can be used as a 'wake-up' input; a typical use case is where an application is idle in standby mode until a headphone or headset jack is inserted. This feature is enabled using the control bits described in Table 84 within the "Low Power Sleep Configuration" section.

The MICDET Clamp function is controlled by a selectable logic condition, derived from the JD1 and/or GP5 signals. The function is enabled and configured using the MICD\_CLAMP\_MODE register.

The JD1 signal is derived from the Jack Detect function (see Table 75). The GP5 signal is derived from the GPIO5 input pin (see "General Purpose Input / Output").

When the MICDET Clamp is active, the MICDET1/HPOUT1FB2 and HPOUT1FB1/MICDET2 pins are short-circuited together. The grounding of the MICDET pin is achieved via the applicable HPOUT1FB pin; note that it is assumed that the HPOUT1FB connection is grounded externally, as shown in Figure 63.

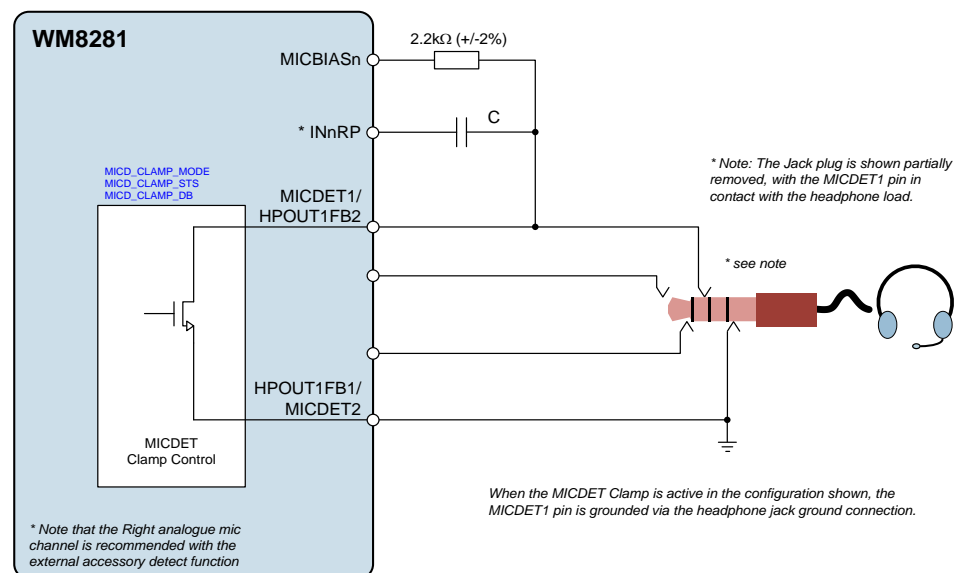
The configurable logic provides flexibility in selecting the appropriate conditions for activating the MICDET Clamp. The clamp status can be read using the MICD\_CLAMP\_STS register.

The MICDET Clamp de-bounce is selected using the MICD\_CLAMP\_DB register, as described in Table 76. Note that the de-bounce circuit uses the 32kHz clock, which must be enabled whenever input de-bounce functions are required.

An Interrupt Request (IRQ) event is generated whenever the MICDET Clamp is asserted or de-asserted (see "Interrupts"). Separate 'mask' bits are provided to enable IRQ events on the rising and/or falling edge of the MICDET Clamp status.

The Control Write Sequencer can be triggered by the MICDET Clamp status. This is enabled using register bits described in the "Low Power Sleep Configuration" section.

The MICDET Clamp function is illustrated in Figure 63. Note that the jack plug is shown partially removed, with the MICDET1 pin in contact with the headphone load.



**Figure 63 MICDET Clamp circuit**

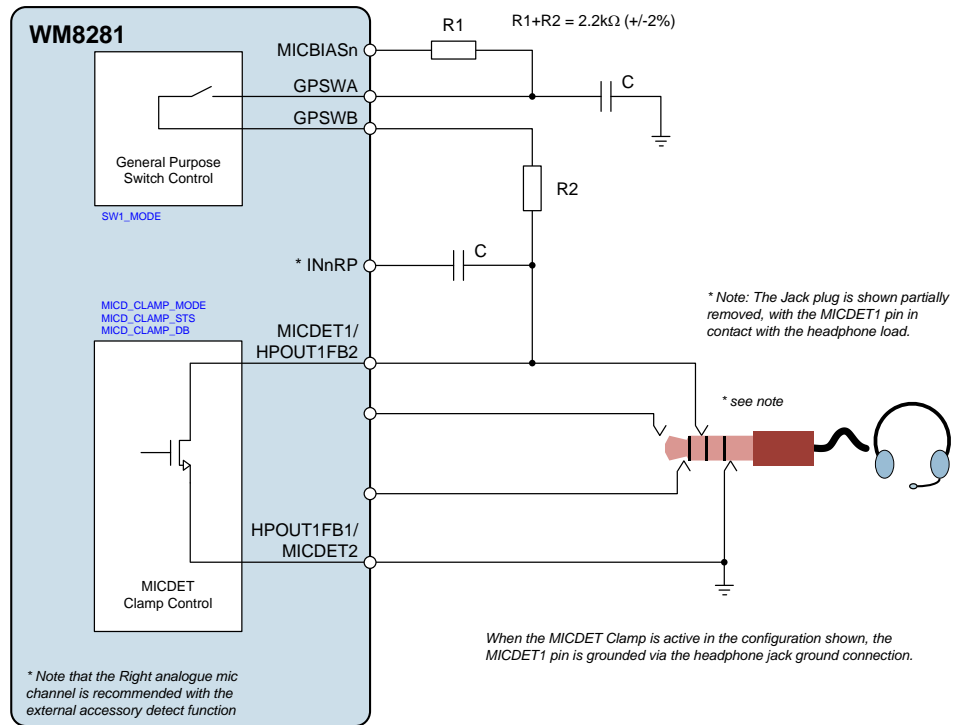
In applications where a large decoupling capacitance is present on the MICBIAS output, the MICDET Clamp function alone may be unable to discharge the capacitor sufficiently to eliminate pops and clicks associated with jack insertion and removal. In this case, it may be desirable to use the General Purpose Switch within the WM8281 to provide isolation from the MICBIAS output; an example circuit is shown in Figure 64.

The General Purpose Switch is configured using SW1\_MODE. This register allows the switch to be disabled, enabled, or synchronised to the MICDET Clamp status, as described in Table 76.

For jack pop suppression, it is recommended to set SW1\_MODE=11. In this case, the switch contacts are open whenever the MICDET Clamp is active, and the switch contacts are closed whenever the MICDET Clamp is inactive.

Normal accessory functions are supported when the switch contacts (GPSWA and GPSWB) are closed, and the MICDET Clamp is inactive. Ground clamping of MICDET, and isolation of MICBIAS are achieved when the switch contacts are open, and the MICDET Clamp is active.

Note that the MICDET Clamp function must also be configured appropriately when using this method of pop suppression control.



**Figure 64 General Purpose Switch circuit**

The control registers associated with the MICDET Clamp and General Purpose Switch functions are described in Table 76.

REGISTER ADDRESS	BIT	LABEL	DEFAULT	DESCRIPTION
R674 (02A2h) Micd Clamp control	3:0	MICD_CLAMP_MODE [3:0]	0000	MICDET Clamp Mode 0h = Disabled 1h = Active (MICDET1 and MICDET2 are shorted together) 2h = Reserved 3h = Reserved 4h = Active when JD1=0 5h = Active when JD1=1 6h = Active when GP5=0 7h = Active when GP5=1 8h = Active when JD1=0 or GP5=0 9h = Active when JD1=0 or GP5=1 Ah = Active when JD1=1 or GP5=0 Bh = Active when JD1=1 or GP5=1 Ch = Active when JD1=0 and GP5=0 Dh = Active when JD1=0 and GP5=1 Eh = Active when JD1=1 and GP5=0 Fh = Active when JD1=1 and GP5=1
R3096 (0C18h) GP Switch 1	1:0	SW1_MODE [1:0]	00	General Purpose Switch control 00 = Disabled (open) 01 = Enabled (closed) 10 = Enabled when MICDET Clamp is active 11 = Enabled when MICDET Clamp is not active
R3413 (0D55h) AOD IRQ Raw Status	3	MICD_CLAMP_STATUS	0	MICDET Clamp status 0 = Clamp not active 1 = Clamp active
R3414 (0D56h) Jack detect debounce	3	MICD_CLAMP_DEBOUNCE	0	MICDET Clamp de-bounce 0 = Disabled 1 = Enabled

**Table 76 MICDET Clamp and General Purpose Switch control**

## MICROPHONE DETECT

The WM8281 microphone detection circuit measures the impedance of an external load connected to one of the MICDET pins. This feature can be used to detect the presence of a microphone, and the status of the associated hookswitch. It can also be used to detect push-button status or the connection of other external accessories.

The microphone detection circuit measures the impedance connected to MICDET1 or MICDET2. In the discrete measurement mode (ACCDDET\_MODE=000), the function reports whether the measured impedance lies within one of 8 pre-defined levels. In the ADC measurement mode (ACCDDET\_MODE=111), a more specific result is provided in the form of a 7-bit ADC output.

The microphone detection circuit typically uses one of the MICBIAS outputs as a reference. The WM8281 will automatically enable the appropriate MICBIAS when required in order to perform the detection function; this allows the detection function to be supported in low-power standby operating conditions.

Note that the MICVDD power domain must be enabled when using the microphone detection function. This power domain is provided using an internal Charge Pump (CP2) and LDO Regulator (LDO2). See "Charge Pumps, Regulators and Voltage Reference" for details of these circuits.

To select microphone detection on one of the MICDET pins, the ACCDET\_MODE register must be set to 000 or 111 (depending on the desired measurement mode). The ACCDET\_MODE register is defined in Table 77.



The WM8281 can only support one headphone or microphone detection function at any time. When the detection function is not in use, it is recommended to set ACCDET\_MODE=000.

The microphone detection circuit can be enabled on the MICDET1 pin or the MICDET2 pin, selected by the ACCDET\_SRC register.

The microphone detection circuit uses MICVDD, MICBIAS1, MICBIAS2 or MICBIAS3 as a reference. The applicable source is configured using the MICD\_BIAS\_SRC register.

When ACCDET\_MODE is set to 000 or 111, then Microphone detection is enabled by setting MICD\_ENA.

When microphone detection is enabled, the WM8281 performs a number of measurements in order to determine the MICDET impedance. The measurement process is repeated at a cyclic rate controlled by MICD\_RATE. (The MICD\_RATE register selects the delay between completion of one measurement and the start of the next.) When the microphone detection result has settled, the WM8281 indicates valid data by setting the MICD\_VALID bit.

When the discrete measurement mode is selected (ACCDET\_MODE=000), the measured impedance is only deemed valid after more than one successive measurement has produced the same result. The MICD\_DBTIME register provides control of the de-bounce period; this can be either 2 measurements or 4 measurements.

When the microphone detection result has settled (ie. after the applicable de-bounce period), the WM8281 indicates valid data by setting the MICD\_VALID bit. The measured impedance is indicated using the MICD\_LVL and MICD\_STS register bits, as described in Table 77.

The MICD\_VALID bit, when set, remains asserted for as long as the microphone detection function is enabled (ie. while MICD\_ENA = 1). If the detected impedance changes, then the MICD\_LVL and MICD\_STS fields will change, but the MICD\_VALID bit will remain set, indicating valid data at all times.

The 8 pre-defined impedance levels (including the 'no accessory detected' level) allow detection of a typical microphone and up to 6 push-buttons. Each measurement level can be enabled or disabled independently; this provides flexibility according to the required thresholds, and offers a faster measurement time in some applications. The MICD\_LVL\_SEL register is described in detail later in this section.

Note that the impedance levels quoted in the MICD\_LVL description assume that a microphone (475Ω to 30kΩ impedance) is also present on the MICDET pin. The limits quoted in the "Electrical Characteristics" refer to the combined effective impedance on the MICDET pin. Typical external components are described in the "Applications Information" section.

When the ADC measurement mode is selected (ACCDET\_MODE=111), the detection function must be disabled before the measurement can be read. When the WM8281 indicates valid data (MICD\_VALID=1), the detection must be disabled by setting MICD\_ENA=0.

The ADC measurement mode generates two output results, contained within the MICDET\_ADCVAL and MICDET\_ADCVAL\_DIFF registers. These registers contain the most recent measurement value (MICDET\_ADCVAL) and the measurement difference value (MICDET\_ADCVAL\_DIFF). The difference value indicates the difference between the latest measurement and the previous measurement; this can be used to determine whether the measurement is stable and reliable.

Note that the MICDET\_ADCVAL and MICDET\_ADCVAL\_DIFF registers do not follow a linear coding. The appropriate test condition for accepting the measurement value (or for re-scheduling the measurement) will vary depending on the application requirements, and depending on the expected impedance value.

The microphone detection function is an input to the Interrupt control circuit and can be used to trigger an Interrupt event every time an accessory insertion, removal or impedance change is detected. See "Interrupts" for further details.

The microphone detection function can also generate a GPIO output, providing an external indication of the microphone detection. This GPIO output is pulsed every time an accessory insertion, removal or impedance change is detected. See "General Purpose Input / Output" to configure a GPIO pin for this function.

The register fields associated with Microphone Detection (or other accessories) are described in Table 77. The external circuit configuration is illustrated in Figure 65.

REGISTER ADDRESS	BIT	LABEL	DEFAULT	DESCRIPTION
R659 (0293h) Accessory Detect Mode 1	13	ACCDET_SRC	0	Accessory Detect / Headphone Feedback pin select 0 = Accessory detect on MICDET1, Headphone ground feedback on HPOUT1FB1 1 = Accessory detect on MICDET2, Headphone ground feedback on HPOUT1FB2
	2:0	ACCDET_MODE [2:0]	000	Accessory Detect Mode Select 000 = Microphone detect (MICDETN, discrete mode) 001 = Headphone detect (HPDETL) 010 = Headphone detect (HPDETR) 011 = Reserved 100 = Headphone detect (MICDETN) 101 = Reserved 110 = Reserved 111 = Microphone detect (MICDETN, ADC mode) Note that the MICDETN measurements are implemented on either the MICDET1 or MICDET2 pins, depending on the ACCDET_SRC register bit.
R675 (02A3h) Mic Detect 1	15:12	MICD_BIAS_STA RTTIME [3:0]	0001	Mic Detect Bias Startup Delay (If MICBIAS is not enabled already, this field selects the delay time allowed for MICBIAS to startup prior to performing the MICDET function.) 0000 = 0ms (continuous) 0001 = 0.25ms 0010 = 0.5ms 0011 = 1ms 0100 = 2ms 0101 = 4ms 0110 = 8ms 0111 = 16ms 1000 = 32ms 1001 = 64ms 1010 = 128ms 1011 = 256ms 1100 to 1111 = 512ms
	11:8	MICD_RATE [3:0]	0001	Mic Detect Rate (Selects the delay between successive MICDET measurements.) 0000 = 0ms (continuous) 0001 = 0.25ms 0010 = 0.5ms 0011 = 1ms 0100 = 2ms 0101 = 4ms 0110 = 8ms 0111 = 16ms 1000 = 32ms 1001 = 64ms 1010 = 128ms 1011 = 256ms 1100 to 1111 = 512ms

REGISTER ADDRESS	BIT	LABEL	DEFAULT	DESCRIPTION
	5:4	MICD_BIAS_SRC [1:0]	00	Accessory Detect (MICDET) reference select 00 = MICVDD 01 = MICBIAS1 10 = MICBIAS2 11 = MICBIAS3
	1	MICD_DBTIME	1	Mic Detect De-bounce 0 = 2 measurements 1 = 4 measurements Only valid when ACCDET_MODE=000.
	0	MICD_ENA	0	Mic Detect Enable 0 = Disabled 1 = Enabled
R676 (02A4h) Mic Detect 2	7:0	MICD_LVL_SEL [7:0]	1001_ 1111	Mic Detect Level Select (enables Mic/Accessory Detection in specific impedance ranges) [7] = Enable >475 ohm detection [6] = Not used - must be set to 0 [5] = Not used - must be set to 0 [4] = Enable 375 ohm detection [3] = Enable 155 ohm detection [2] = Enable 73 ohm detection [1] = Enable 40 ohm detection [0] = Enable 18 ohm detection Note that the impedance values quoted assume that a microphone (475ohm-30kohm) is also present on the MICDET pin. Only valid when ACCDET_MODE=000.
R677 (02A5h) Mic Detect 3	10:2	MICD_LVL [8:0]	0_0000_ 0000	Mic Detect Level (indicates the measured impedance) [8] = >475 ohm, <30k ohm [7] = Not used [6] = Not used [5] = 375 ohm [4] = 155 ohm [3] = 73 ohm [2] = 40 ohm [1] = 18 ohm [0] = <3 ohm Note that the impedance values quoted assume that a microphone (475ohm-30kohm) is also present on the MICDET pin. Only valid when ACCDET_MODE=000.
	1	MICD_VALID	0	Mic Detect Data Valid 0 = Not Valid 1 = Valid
	0	MICD_STS	0	Mic Detect Status 0 = No Mic/Accessory present (impedance is >30k ohm) 1 = Mic/Accessory is present (impedance is <30k ohm) Only valid when ACCDET_MODE=000.

REGISTER ADDRESS	BIT	LABEL	DEFAULT	DESCRIPTION
R683 02ABh Mic Detect 4	15:8	MICDET_ADCVA L_DIFF [7:0]	00h	Mic Detect ADC Level (Difference) Only valid when ACCDET_MODE=111.
	6:0	MICDET_ADCVA L [6:0]	00h	Mic Detect ADC Level Only valid when ACCDET_MODE=111.

**Table 77 Microphone Detect Control**

The external connections for the Microphone Detect circuit are illustrated in Figure 65. In typical applications, it can be used to detect a microphone or button press.

Note that, when using the Microphone Detect circuit, it is recommended to use one of the Right channel analogue microphone input paths, to ensure best immunity to electrical transients arising from the external accessory.

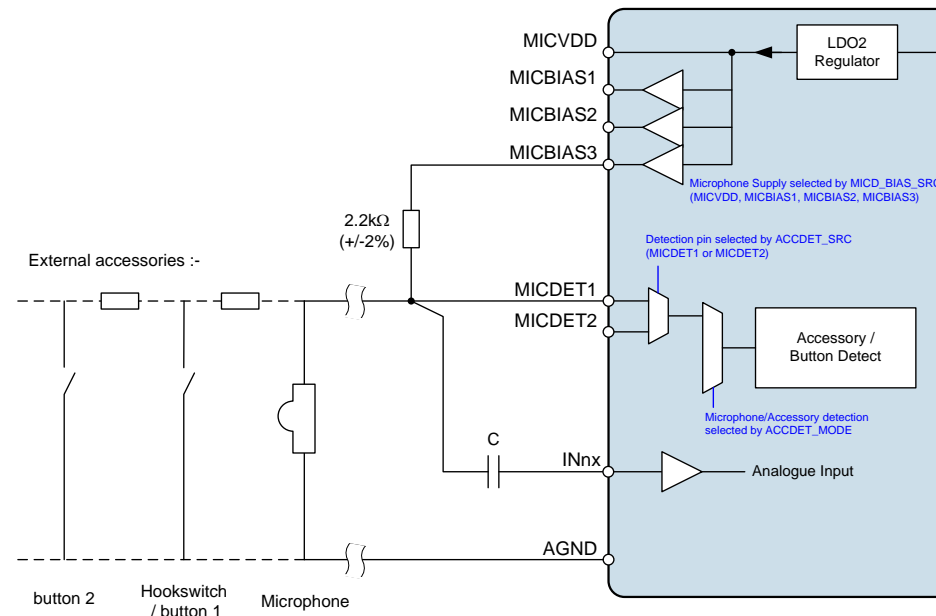
The voltage reference for the microphone detection is configured using the MICD\_BIAS\_SRC register, as described in Table 77. The microphone detection function will automatically enable the applicable reference when required for MICDET impedance measurement.

If the selected reference (MICBIAS1, MICBIAS2 or MICBIAS3) is not already enabled (ie. if MICB<sub>n</sub>\_ENA = 0, where *n* is 1, 2 or 3 as appropriate), then the applicable MICBIAS source will be enabled for short periods of time only, every time the impedance measurement is scheduled. To allow time for the MICBIAS source to start-up, a time delay is applied before the measurement is performed; this is configured using the MICD\_BIAS\_STARTTIME register, as described in Table 77.

The MICD\_BIAS\_STARTTIME register should be set to 16ms or more if MICB<sub>n</sub>\_RATE = 1 (pop-free start-up / shut-down). The MICD\_BIAS\_STARTTIME register should be set to 0.25ms or more if MICB<sub>n</sub>\_RATE = 0 (fast start-up / shut-down).

If the selected reference is not enabled continuously (ie. if MICB<sub>n</sub>\_ENA = 0), then the applicable MICBIAS discharge bit (MICB<sub>n</sub>\_DISCH) should be set to 0.

The MICBIAS sources are configured using the registers described in the “Charge Pumps, Regulators and Voltage Reference” section.


**Figure 65 Microphone and Accessory Detect Interface**

When the discrete measurement mode is selected (ACCDET\_MODE=000), the MICD\_LVL\_SEL [7:0] register bits allow each of the impedance measurement levels to be enabled or disabled independently. This allows the function to be tailored to the particular application requirements.

If one or more bits within the MICD\_LVL\_SEL register is set to 0, then the corresponding impedance

level will be disabled. Any measured impedance which lies in a disabled level will be reported as the next lowest, enabled level.

For example, the MICD\_LVL\_SEL [2] bit enables the detection of impedances around 73Ω. If MICD\_LVL\_SEL [2] = 0, then an external impedance of 73Ω will not be indicated as 73Ω but will be indicated as 40Ω; this would be reported in the MICD\_LVL register as MICD\_LVL [2] = 1.

With all measurement levels enabled, the WM8281 can detect the presence of a typical microphone and up to 6 push-buttons. The microphone detect function is specifically designed to detect a video accessory (typical 75Ω) load if required.

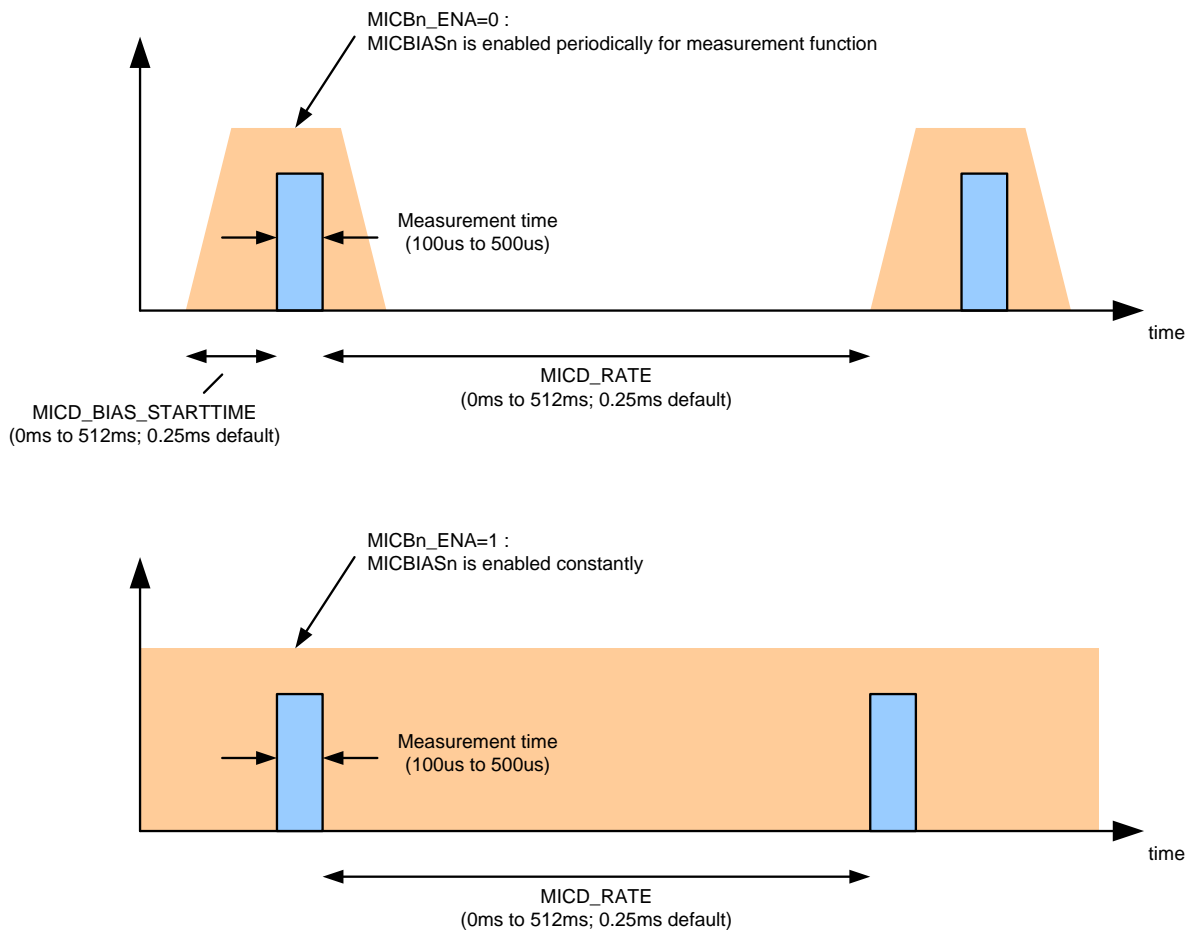
See “Applications Information” for typical recommended external components for microphone, video or push-button accessory detection.

The accuracy of the microphone detect function is assured whenever the connected load is within the applicable limits specified in the “Electrical Characteristics”. It is required that a 2.2kΩ (2%) resistor must also be connected between MICDET and the selected MICBIAS reference; note that different resistor values will lead to inaccuracy in the impedance measurement.

Note that the connection of a microphone will change the measured impedance on the MICDET pin; see “Applications Information” for recommended components for typical applications.

The measurement time varies between 100μs and 500μs according to the impedance of the external load. A high impedance will be measured faster than a low impedance.

The timing of the microphone detect function is illustrated in Figure 66. Two different cases are shown, according to whether MICBIAS<sub>n</sub> is enabled periodically by the impedance measurement function (MICB<sub>n</sub>\_ENA=0), or is enabled at all times (MICB<sub>n</sub>\_ENA=1).



**Figure 66 Microphone and Accessory Detect Timing**

## HEADPHONE DETECT

The WM8281 headphone detection circuit measures the impedance of an external headphone load. This feature can be used to set different gain levels or to apply other configuration settings according to the type of load connected. Separate monitor pins are provided for headphone detection on the left and right channels of HPOUT1.

Headphone detection can be enabled on the HPDETL pin or the HPDETR pin. Under recommended configuration, these pins provide measurement of the HPOUT1L and HPOUT1R loads respectively.

The headphone detect function can also be enabled on the MICDET1 pin or the MICDET2 pin. Note that, in this configuration, any MICBIAS output that is connected to the selected MICDET pin must be disabled and floating (MICBn\_ENA=0, MICBn\_DISCH=0).

The applicable headphone detection pin is selected using the ACCDET\_MODE register. When MICDETr is selected (ACCDET\_MODE=100), the applicable MICDETr pin is determined by the ACCDET\_SRC register, as described in Table 80.

The WM8281 can only support one headphone or microphone detection function at any time. When the detection function is not in use, it is recommended to set ACCDET\_MODE=000.

Headphone detection on the selected channel is commanded by writing a '1' to the HP\_POLL register bit. The impedance measurement range is configured using the HP\_IMPEDANCE\_RANGE register. This register should be set in accordance with the expected load impedance.

Note that a number of separate measurements (for different impedance ranges) are typically required in order to determine the load impedance; the recommended control sequence is described below.

Note that setting the HP\_IMPEDANCE\_RANGE register is not required for detection on the MICDETr pins (ACCDET\_MODE=100). Note also that the impedance measurement range, and measurement accuracy, in this mode are different to the HPDETL and HPDETR measurement modes.

For correct operation, the respective output driver(s) must be disabled when headphone detection is commanded on HPOUT1L or HPOUT1R. The applicable driver(s) must also be configured with additional register settings; the requirements are detailed in Table 78.

The HP1L\_ENA and HP1R\_ENA register bits are defined in Table 61. The other associated register bits are defined in Table 80.

Note that, when configuring the HP1x\_FLWR, HP1x\_SHRTI, HP1x\_SHRTO and HP1\_TST\_CAP\_SEL, care is required not to change the value of other bits in the register, which may have changed from the default setting. Accordingly, a 'read-modify-write' sequence is required to implement this.

The applicable headphone output(s) configuration must be maintained until after the headphone detection has completed.

For normal headphone driver operation, the HP1\_TST\_CAP\_SEL register must be restored to its default value. (The other register bits noted in Table 78 will be configured automatically when HPOUT is enabled or disabled.)

DESCRIPTION	REQUIREMENT
HPOUT1L Impedance measurement	HP1L_ENA = 0 HP1L_FLWR = 0, HP1L_SHRTI = 0, HP1L_SHRTO = 1 HP1_TST_CAP_SEL = 01
HPOUT1R Impedance measurement	HP1R_ENA = 0 HP1R_FLWR = 0, HP1R_SHRTI = 0, HP1R_SHRTO = 1 HP1_TST_CAP_SEL = 01
Note that the output driver(s) must be disabled (HP1x_ENA=0) before setting the other control bits.	

**Table 78 Output Configuration for Headphone Detect**

When headphone detection is commanded, the WM8281 uses an adjustable current source to determine the connected impedance. A sweep of measurement currents is applied. The rate of this sweep can be adjusted using the HP\_CLK\_DIV and HP\_RATE registers. To avoid audible clicks, the default step size should always be used (HP\_RATE = 0).

The timing of the current source ramp is also controlled by the HP\_HOLDTIME register. It is recommended that the default setting (001b) be used for this parameter.

The headphone detection process will typically comprise a number of separate measurements (for

different impedance ranges). Completion of each measurement is indicated by the HP\_DONE register bit. When this bit is set, the measurement result can be read from the HP\_DACVAL register, and subsequently decoded as described below.

$$\text{Impedance } (\Omega) = \frac{C_0 + (C_1 \times \text{Offset})}{\left[ \frac{(\text{HP\_DACVAL} + 1.5)}{C_2} \right] - \left[ \frac{1}{C_3 (1 + (C_4 \times \text{Gradient}))} \right]} - C_5$$

The associated parameters for decoding the measurement result are defined in Table 79. The applicable values are dependent on the HP\_IMPEDANCE\_RANGE setting in each case. The 'Offset' and 'Gradient' values are derived from register fields which are factory-calibrated for each device.

PARAMETER	HP_IMPEDANCE_RANGE=00	HP_IMPEDANCE_RANGE=01	HP_IMPEDANCE_RANGE=10	HP_IMPEDANCE_RANGE=11
C <sub>0</sub>	1.007	1.007	9.696	100.684
C <sub>1</sub>	-0.0072	-0.0072	-0.0795	-0.9494
C <sub>2</sub>	4003	7975	7300	7300
C <sub>3</sub>	69.3	69.6	62.9	63.2
C <sub>4</sub>	0.0055	0.0055	0.0055	0.0055
C <sub>5</sub>	0.25	0.25	0.25	0.25
Offset	HP_OFFSET_01 + HP_OFFSET_DIFF_00	HP_OFFSET_01	HP_OFFSET_01 + HP_OFFSET_DIFF_10	HP_OFFSET_01 + HP_OFFSET_DIFF_11
Gradient	HP_GRADIENT_0X	HP_GRADIENT_0X	HP_GRADIENT_1X	HP_GRADIENT_1X

**Table 79 Headphone Measurement Decode parameters**

Note that, to achieve the specified measurement accuracy, the above equation must be calculated to an accuracy of at least 5 decimal places throughout.

The impedance measurement result is valid when  $169 \leq \text{HP\_DACVAL} \leq 1019$ . (In case of any contradiction with the HP\_IMPEDANCE\_RANGE description, the HP\_DACVAL validity takes precedence.)

If the external impedance is entirely unknown (ie. it could lie in any of the HP\_IMPEDANCE\_RANGE regions), then it is recommended to test initially with HP\_IMPEDANCE\_RANGE=00. If the resultant HP\_DACVAL is < 169, then the impedance is higher than the selected measurement range, so the test should be scheduled again, after incrementing HP\_IMPEDANCE\_RANGE.

Each measurement is triggered by writing '1' to the HP\_POLL bit. Completion of each measurement is indicated by the HP\_DONE register bit. Note that, after the HP\_DONE bit has been asserted, it will remain asserted until the next measurement has been commanded.

A simpler, but less accurate, procedure for headphone impedance measurement is also supported, using the HP\_LVL register. When the HP\_DONE bit is set, indicating completion of a measurement, the impedance can be read directly from the HP\_LVL field, provided that the value lies within the range of the applicable HP\_IMPEDANCE\_RANGE setting.

Note that, for detection using one of the MICDETn pins, the HP\_LVL field is the only supported readback option. The HP\_IMPEDANCE\_RANGE field is not valid for detection on the MICDETn pins. See Table 80 for further description of the HP\_LVL field.

The headphone detection function is an input to the Interrupt control circuit and can be used to trigger an Interrupt event on completion of the headphone detection - see "Interrupts".

The headphone detection function can also generate a GPIO output, providing an external indication of the headphone detection. See "General Purpose Input / Output" to configure a GPIO pin for this function.

The register fields associated with Headphone Detection are described in Table 80. The external circuit configuration is illustrated in Figure 67.

REGISTER ADDRESS	BIT	LABEL	DEFAULT	DESCRIPTION
R135 (0087h) HP Detect Calibration 1	15:14	HP_OFFSET_DIF F_11 [1:0]		Headphone Detect Calibration field. Signed integer, -7 to +7. LSB=1. Default value is factory-set per device. Note that HP_OFFSET_DIFF_11 is a 4-bit field, and is split across R135 and R136 register addresses.
	13:10	HP_OFFSET_DIF F_10 [3:0]		Headphone Detect Calibration field. Signed integer, -7 to +7. LSB=1. Default value is factory-set per device.
	9:4	HP_OFFSET_01 [5:0]		Headphone Detect Calibration field. Signed integer, -31 to +31. LSB=1. Default value is factory-set per device.
	3:0	HP_OFFSET_DIF F_00 [3:0]		Headphone Detect Calibration field. Signed integer, -7 to +7. LSB=1. Default value is factory-set per device.
R136 (0088h) HP Detect Calibration 2	15:14	HP_OFFSET_DIF F_11 [3:2]		Headphone Detect Calibration field. Signed integer, -7 to +7. LSB=1. Field is split across 2 registers. Default value is factory-set per device. Note that HP_OFFSET_DIFF_11 is a 4-bit field, and is split across R135 and R136 register addresses.
	13:7	HP_GRADIENT_1X [6:0]		Headphone Detect Calibration field. Signed number, -31.5 to +31.5. LSB=0.5. Default value is factory-set per device.
	6:0	HP_GRADIENT_0X [6:0]		Headphone Detect Calibration field. Signed number, -31.5 to +31.5. LSB=0.5. Default value is factory-set per device.
R549 (0225h) HP Ctrl 1L	2	HP1L_FLWR	1	HPOUT1L Voltage Follower mode 0 = Disabled 1 = Enabled This bit must be set to 0 when the Headphone Detection function is enabled on HPOUT1L. This bit is configured automatically when HPOUT1L is enabled or disabled.
	1	HP1L_SHRTI	1	HPOUT1L Input Clamp 0 = Disabled 1 = Enabled This bit must be set to 0 when the Headphone Detection function is enabled on HPOUT1L. This bit is configured automatically when HPOUT1L is enabled or disabled.
	0	HP1L_SHRTO	0	HPOUT1L Output Clamp 0 = Enabled 1 = Disabled This bit must be set to 1 when the Headphone Detection function is enabled on HPOUT1L. This bit is configured automatically when HPOUT1L is enabled or disabled.

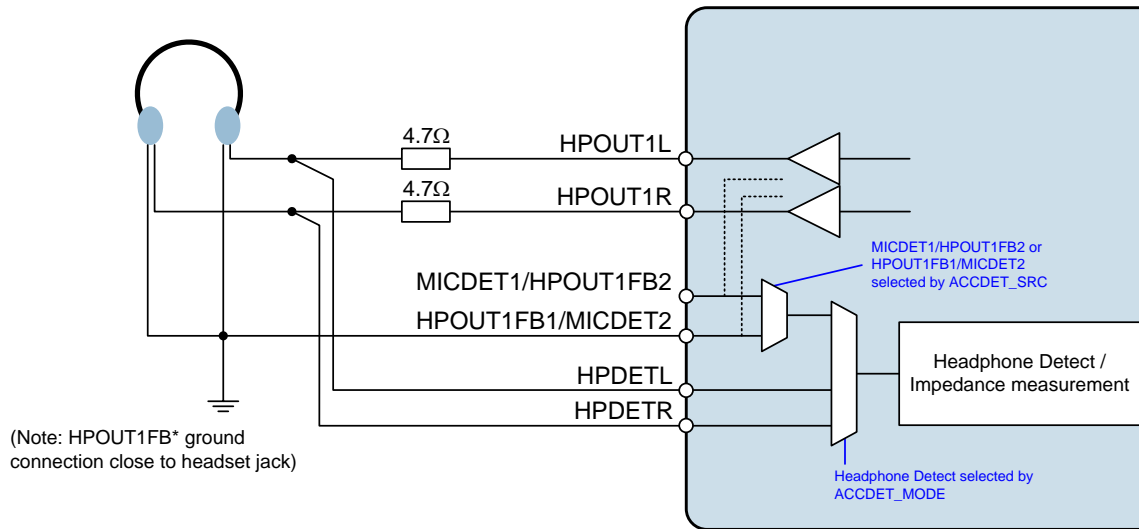


REGISTER ADDRESS	BIT	LABEL	DEFAULT	DESCRIPTION
R550 (0226h) HP Ctrl 1R	2	HP1R_FLWR	1	HPOUT1R Voltage Follower mode 0 = Disabled 1 = Enabled This bit must be set to 0 when the Headphone Detection function is enabled on HPOUT1R. This bit is configured automatically when HPOUT1R is enabled or disabled.
	1	HP1R_SHRTI	1	HPOUT1R Input Clamp 0 = Disabled 1 = Enabled This bit must be set to 0 when the Headphone Detection function is enabled on HPOUT1R. This bit is configured automatically when HPOUT1R is enabled or disabled.
	0	HP1R_SHRTO	0	HPOUT1R Output Clamp 0 = Enabled 1 = Disabled This bit must be set to 1 when the Headphone Detection function is enabled on HPOUT1R. This bit is configured automatically when HPOUT1R is enabled or disabled.
R659 (0293h) Accessory Detect Mode 1	13	ACCDET_SRC	0	Accessory Detect / Headphone Feedback pin select 0 = Accessory detect on MICDET1, Headphone ground feedback on HPOUT1FB1 1 = Accessory detect on MICDET2, Headphone ground feedback on HPOUT1FB2
	2:0	ACCDET_MODE [2:0]	00	Accessory Detect Mode Select 000 = Microphone detect (MICDETn, discrete mode) 001 = Headphone detect (HPDETL) 010 = Headphone detect (HPDETR) 011 = Reserved 100 = Headphone detect (MICDETn) 101 = Reserved 110 = Reserved 111 = Microphone detect (MICDETn, ADC mode) Note that the MICDETn measurements are implemented on either the MICDET1 or MICDET2 pins, depending on the ACCDET_SRC register bit.
R667 (029Bh) Headphone Detect 1	10:9	HP_IMPEDANCE_RANGE [1:0]	00	Headphone Detect Range 00 = 4 ohms to 30 ohms 01 = 8 ohms to 100 ohms 10 = 100 ohms to 1k ohms 11 = 1k ohms to 10k ohms Only valid when ACCDET_MODE=001 or ACCDET_MODE=010.

REGISTER ADDRESS	BIT	LABEL	DEFAULT	DESCRIPTION
	7:5	HP_HOLDTIME [2:0]	001	Headphone Detect Hold Time (Selects the hold time between ramp up and ramp down of the headphone detect current source. The clock cycle rate is set by HP_CLK_DIV.) 000 = 1 clock cycle 001 = 4 clock cycles 010 = 16 clock cycles 011 = 64 clock cycles 100 = 256 clock cycles 101 = 512 clock cycles 110 = 768 clock cycles 111 = 1024 clock cycles
	4:3	HP_CLK_DIV [1:0]	01	Headphone Detect Clock Rate (Selects the clocking rate of the headphone detect adjustable current source.) 00 = 32kHz 01 = 16kHz 10 = 8kHz 11 = 4kHz
	1	HP_RATE	0	Headphone Detect Ramp Rate 0 = Normal rate 1 = Fast rate
	0	HP_POLL	0	Headphone Detect Enable Write 1 to start HP Detect function
R668 (029Ch) Headphone Detect 2	15	HP_DONE	0	Headphone Detect Status 0 = HP Detect not complete 1 = HP Detect done
	14:0	HP_LVL [14:0]	0000h	Headphone Detect Level LSB = 0.5ohm  8 = 4ohm or less 9 = 4.5 ohm 10 = 5 ohm 11 = 5.5 ohm .... 20,000 = 10k ohm or more  When ACCDET_MODE=001 or 010, this field is valid from 4ohm to 10k ohm. When ACCDET_MODE=100, this field is valid from 400ohm to 6k ohm.  Note that, when ACCDET_MODE=001 or 010, the HP_LVL readback is only valid within the range selected by HP_IMPEDANCE_RANGE. If HP_LVL reports a value outside the selected range, then the range should be adjusted and the measurement repeated. A result of 0 ohms may be reported if the measurement is less than the minimum value for the selected range.
R669 (029Dh) Headphone Detect Test	9:0	HP_DACVAL [9:0]	000h	Headphone Detect Level (Coded as integer, LSB=1. See separate description for full decode information.)

REGISTER ADDRESS	BIT	LABEL	DEFAULT	DESCRIPTION
R1188 (04A4h) HP Test Ctrl 1	1:0	HP1_TST_CAP_SEL [1:0]	11	This field must be set to 01 when the Headphone Detection function is enabled on HPOUTL or HPOUTR. This field must be set to 11 (default) at all other times.

**Table 80 Headphone Detect Control**



**Figure 67 Headphone Detect Interface**

The external connections for the Headphone Detect circuit are illustrated in Figure 67. Note that only the HPOUT1L or HPOUT1R headphone outputs should be connected to HPDETL or HPDETR pins - impedance measurement is not supported on HPOUT2L, HPOUT2R, HPOUT3L or HPOUT3R.

Note that, where external resistors are connected in series with the headphone load, as illustrated, it is recommended that the HPDET $n$  connection is to the headphone side of the resistors. If the HPDET $n$  connection is made to the WM8281 'end' of these resistors, this will lead to a corresponding offset in the measured impedance.

Under default conditions, the measurement time varies between 17ms and 61ms according to the impedance of the external load. A high impedance will be measured faster than a low impedance.

## LOW POWER SLEEP CONFIGURATION

The WM8281 supports a low-power 'Sleep' mode, where most functions are disabled, and power consumption is minimised. A selectable 'Wake-Up' event can be configured to return the device to full operation and/or execute a specific response to the particular Wake-Up condition.

A Wake-Up event is triggered via hardware input pin(s); in typical applications, these inputs are associated with jack insert (via the JACKDET analogue input) or external push-button detection (via the GPIO5 digital input). A Wake-Up transition can also be triggered using the LDOENA pin to enable LDO1 (assuming that DCVDD is supplied by LDO1).

The WM8281 enters Sleep mode when LDO1 is disabled, causing the DCVDD supply to be removed. The AVDD, DBVDD1, and LDOVDD supplies must be present throughout the Sleep mode duration.

Note that it is assumed that DCVDD is supplied by LDO1; see the "Charge Pumps, Regulators and Voltage Reference" for specific control requirements where DCVDD is not powered from LDO1.

### SLEEP MODE

The WM8281 enters Sleep mode when LDO1 is disabled, causing the DCVDD supply to be removed. (LDO1 can be controlled using the LDO1\_ENA register bit, or using the LDOENA pin; both of these controls must be de-asserted to disable the LDO. Note that, under certain circumstances - see "Write Sequence Control" below - the LDO is controlled by writing to the \_TRIG\_STS register fields.) The AVDD, DBVDD1, and LDOVDD supplies must be present throughout the Sleep mode; under these conditions, and with LDO1 disabled, most of the Digital Core (and control registers) are held in reset.

For correct Sleep mode behaviour, the following register configuration is required before entering the Sleep mode:

- Write the value A210h to Register R13056 (3300h), and write 050Ch to Register R13057 (3301h). Note that SYSCLK must be enabled when writing to these registers. These register writes only need to be executed once, at any suitable opportunity after Power-Up; it is not necessary to repeat these register writes before each Sleep transition.
- Write the value 0Bh to the LDO1\_VSEL field in Register R528 (0210h). This register write is required before every Sleep transition, and must be scheduled as the last register write before whichever final action is used to command the WM8281 to Sleep mode. See "Charge Pumps, Regulators and Voltage Reference" for details of the LDO1\_VSEL field.

Note that it is assumed that DCVDD is supplied by LDO1; see the "Charge Pumps, Regulators and Voltage Reference" for specific control requirements where DCVDD is not powered from LDO1.

The system clocks (SYSCLK, ASYNCLCK) are not required in Sleep mode, and the external clock inputs (MCLKn) may be stopped, except as described below.

If de-bounce is enabled on any of the configured Wake-Up signals (JACKDET or GPIO5), then the 32kHz clock must be active during Sleep mode (see "Clocking and Sample Rates"). The 32kHz clock must be derived from the MCLK2 pin in this case. The 32kHz clock must be configured using CLK\_32K\_ENA and CLK\_32K\_SRC before Sleep mode is entered.

The MCLK2 frequency limit in Sleep mode (see "Signal Timing Requirements") must be observed before entering Sleep mode, and maintained until after Wake-Up.

Selected functions and control registers are maintained via an 'Always-On' internal supply domain in Sleep mode. The 'Always-On' control registers are listed in Table 81. These registers are maintained (ie. not reset) in Sleep mode.

The CLK32K\_ENA and CLK\_32K\_SRC registers are maintained in Sleep mode, but are reset to default values on Wake-Up. The WM8281 can be configured to enable the 32kHz clock (derived from MCLK2) automatically on Wake-Up; this may typically be required in applications where the 32kHz clock has been maintained in Sleep mode. To enable the 32kHz clock on Wake-Up, write the value C100h to Register R14202 (337Ah), and write 0041h to Register R14203 (337Bh). Note that SYSCLK must be enabled when writing to these registers.

Note that the Control Interface is not supported in Sleep mode. Read/Write access to the 'Always-On' registers is not possible in Sleep mode.

REGISTER ADDRESS	LABEL	REFERENCE
40h	WKUP_MICD_CLAMP_FALL	See Table 84
	WKUP_MICD_CLAMP_RISE	
	WKUP_GP5_FALL	
	WKUP_GP5_RISE	
	WKUP_JD1_FALL	
	WKUP_JD1_RISE	
41h	WSEQ_ENA_MICD_CLAMP_FALL	See Table 85
	WSEQ_ENA_MICD_CLAMP_RISE	
	WSEQ_ENA_GP5_FALL	
	WSEQ_ENA_GP5_RISE	
	WSEQ_ENA_JD1_FALL	
	WSEQ_ENA_JD1_RISE	
66h	WSEQ_MICD_CLAMP_RISE_INDEX	See "Control Write Sequencer"
67h	WSEQ_MICD_CLAMP_FALL_INDEX	
68h	WSEQ_GP5_RISE_INDEX	
69h	WSEQ_GP5_FALL_INDEX	
6Ah	WSEQ_JD1_RISE_INDEX	
6Bh	WSEQ_JD1_FALL_INDEX	
100h	CLK_32K_ENA	See "Clocking and Sample Rates" See note above.
	CLK_32K_SRC	
210h	LDO1_VSEL	See "Charge Pumps, Regulators and Voltage Reference"
	LDO1_DISCH	
	LDO1_ENA	
02A2h	MICD_CLAMP_MODE	See "External Accessory Detection"
02D3h	JD1_ENA	See "External Accessory Detection"
0C04h	GP5_DIR	See "General Purpose Input / Output"
	GP5_PU	
	GP5_PD	
	GP5_POL	
	GP5_OP_CFG	
	GP5_DB	
	GP5_LVL	
	GP5_FN	
0C0Fh	IRQ_POL	See "Interrupts"
	IRQ_OP_CFG	
0C10h	GP_DBTIME	See "General Purpose Input / Output"
0C18h	SW1_MODE	
0C20h	LDO1ENA_PD	See "Charge Pumps, Regulators and Voltage Reference"
	LDO1ENA_PU	
	MCLK2_PD	See "Clocking and Sample Rates"
	RESET_PU	See "Hardware Reset, Software Reset, Wake-Up, and Device ID"
	RESET_PD	
0C39h	IRQ_DRV_STR	See "Applications Information"
	GPIO5_DRV_STR	
0D0Fh	IM_IRQ1	See "Interrupts"
0D1Fh	IM_IRQ2	
0D50h	MICD_CLAMP_FALL_TRIG_STS	See Table 83
	MICD_CLAMP_RISE_TRIG_STS	

REGISTER ADDRESS	LABEL	REFERENCE
	GP5_FALL_TRIG_STS	
	GP5_RISE_TRIG_STS	
	JD1_FALL_TRIG_STS	
	JD1_RISE_TRIG_STS	
0D51h	MICD_CLAMP_FALL_EINT1	See "Interrupts"
	MICD_CLAMP_RISE_EINT1	
	GP5_FALL_EINT1	
	GP5_RISE_EINT1	
	JD1_FALL_EINT1	
	JD1_RISE_EINT1	
0D52h	MICD_CLAMP_FALL_EINT2	See "Interrupts"
	MICD_CLAMP_RISE_EINT2	
	GP5_FALL_EINT2	
	GP5_RISE_EINT2	
	JD1_FALL_EINT2	
	JD1_RISE_EINT2	
0D53h	IM_MICD_CLAMP_FALL_EINT1	See "Interrupts"
	IM_MICD_CLAMP_RISE_EINT1	
	IM_GP5_FALL_EINT1	
	IM_GP5_RISE_EINT1	
	IM_JD1_FALL_EINT1	
	IM_JD1_RISE_EINT1	
0D54h	IM_MICD_CLAMP_FALL_EINT2	See "Interrupts"
	IM_MICD_CLAMP_RISE_EINT2	
	IM_GP5_FALL_EINT2	
	IM_GP5_RISE_EINT2	
	IM_JD1_FALL_EINT2	
	IM_JD1_RISE_EINT2	
0D56h	MICD_CLAMP_DB	See "External Accessory Detection"
	JD1_DB	
3000h to 31FFh	WSEQ_DATA_WIDTHn	See "Control Write Sequencer"
	WSEQ_ADDRn	
	WSEQ_DELAYn	
	WSEQ_DATA_STARTn	
	WSEQ_DATAAn	

**Table 81 Sleep Mode 'Always-On' Control Registers**

The 'Always-On' digital input / output pins are listed in Table 82. All other digital input pins will have no effect in Sleep mode. The IRQ output is normally de-asserted in Sleep mode.

Note that, in Sleep mode, the IRQ output can only be asserted in response to the JD1 or GP5 control signals (these described in the following section). If the IRQ output is asserted in Sleep mode, it can only be de-asserted after a Wake-Up transition.

PIN NAME	DESCRIPTION	REFERENCE
LDOENA	Enable pin for LDO1	See "Charge Pumps, Regulators and Voltage Reference"
RESET	Digital Reset input (active low)	See "Hardware Reset, Software Reset, Wake-Up, and Device ID"
MCLK2	Master clock 2	See "Clocking and Sample Rates"
GPIO5	General Purpose pin GPIO5	See "General Purpose Input / Output"
IRQ	Interrupt Request (IRQ) output	See "Interrupts"

**Table 82 Sleep Mode 'Always-On' Digital Input Pins**

A Wake-Up transition is triggered using the JD1 or GP5 control signals (defined below).

It is assumed that DCVDD is supplied by LDO1. The AVDD, DBVDD1 and LDOVDD supplies must be present throughout the Sleep mode duration. See “Charge Pumps, Regulators and Voltage Reference” for specific control requirements where DCVDD is not powered from LDO1.

Note that a logic ‘1’ applied to the LDOENA pin will also cause a Wake-Up transition. In this event, however, the configurable Wake-Up events (described below) are not applicable.

### SLEEP CONTROL SIGNALS - JD1, GP5, MICDET CLAMP

The internal control signals JD1 and GP5 are provided to support the low-power Sleep mode. The MICDET Clamp status is controlled by a selectable logic function, derived from JD1 and/or GP5. A rising or falling edge of these signals can be used to trigger a Wake-Up transition (ie. exit from Sleep mode).

The JD1, GP5 and MICDET Clamp status signals can also be used to trigger the Control Write Sequencer and/or the Interrupt Controller.

Note that it is possible to enable more than one response from these control signals. For example, a particular edge transition could trigger a Wake-Up transition, and also a Control Write Sequence.

The JD1, GP5 and MICDET Clamp status signals are described in this section. The Wake-Up, Write Sequencer, and Interrupt actions are described in the sections that follow.

The JD1 signal is derived from the Jack Detect function (see “External Accessory Detection”). This input can be used to trigger Wake-Up or other actions in response to a jack insertion or jack removal detection.

When the JD1 signal is enabled, it indicates the status of the JACKDET input pin. See Table 75 for details of the associated control registers.

The GP5 signal is derived from the GPIO5 input pin (see “General Purpose Input / Output”). This input can be used to trigger Wake-Up or other actions in response to a logic level input detected on the GPIO5 pin.

When using the GP5 signal, the GPIO5 pin must be configured as a GPIO input (GP5\_DIR=1, GP5\_FN=01h). An internal pull-up or pull-down resistor may be enabled on the GPIO5 pin if required.

The GPIO pin control registers are defined in Table 86.

The MICDET Clamp status is controlled by the JD1 and/or GP5 signals (see “External Accessory Detection”). The configurable logic provides flexibility in selecting the appropriate conditions for activating the MICDET Clamp. The clamp status can be used to trigger Wake-Up or other actions in response to a jack insertion or jack removal detection.

The MICDET Clamp function is configured using the MICD\_CLAMP\_MODE register, as described in Table 76.

Whenever a rising or falling edge is detected on JD1, GP5 or MICDET Clamp status, the WM8281 will assert the respective trigger status (\_TRIG\_STS) bit. The trigger status bits are latching fields and, once they are set, they are not reset until a ‘1’ is written to the respective register bit(s).

The JD1, GP5 and MICDET Clamp trigger status bits are described in Table 83.

The trigger status bits can be used to control Wake-Up and Write Sequencer actions. The JD1, GP5 and MICDET Clamp signals are inputs to the Interrupt Controller. Each of these functions is described in the following sections.

REGISTER ADDRESS	BIT	LABEL	DEFAULT	DESCRIPTION
R3408 (0D50h) AOD wkup and trig	7	MICD_CLAMP_FALL_TRIG_STS	0	MICDET Clamp Trigger Status (Falling edge triggered) Note: Cleared when a '1' is written
	6	MICD_CLAMP_RISE_TRIG_STS	0	MICDET Clamp Trigger Status (Rising edge triggered) Note: Cleared when a '1' is written
	5	GP5_FALL_TRIG_STS	0	GP5 Trigger Status (Falling edge triggered) Note: Cleared when a '1' is written
	4	GP5_RISE_TRIG_STS	0	GP5 Trigger Status (Rising edge triggered) Note: Cleared when a '1' is written
	3	JD1_FALL_TRIG_STS	0	JD1 Trigger Status (Falling edge triggered) Note: Cleared when a '1' is written
	2	JD1_RISE_TRIG_STS	0	JD1 Trigger Status (Rising edge triggered) Note: Cleared when a '1' is written

**Table 83 JD1, GP5 and MICDET Clamp Trigger Status Registers**

Note that the de-bounce function on all inputs (including JD1, GP5 and MICDET Clamp status) use the 32kHz clock (see "Clocking and Sample Rates"). The 32kHz clock must be enabled whenever input de-bounce functions are required.

Note that the MCLK2 input pin is on the 'Always-On' domain, and is supported in Sleep mode. (MCLK1 input is not supported in Sleep mode.)

If input de-bounce is enabled in Sleep mode, the 32kHz clock must use MCLK2 (direct) input as its source (CLK\_32K\_SRC = 01).

### WAKE-UP TRANSITION

A Wake-Up transition (exit from Sleep) can be associated with any of the JD1, GP5 or MICDET Clamp trigger status bits. This is selected using the register bits described in Table 84.

REGISTER ADDRESS	BIT	LABEL	DEFAULT	DESCRIPTION
R64 (0040h) Wake Control	7	WKUP_MICD_CLAMP_FALL	0	MICDET Clamp (Falling) Wake-Up Select 0 = Disabled 1 = Enabled
	6	WKUP_MICD_CLAMP_RISE	0	MICDET Clamp (Rising) Wake-Up Select 0 = Disabled 1 = Enabled
	5	WKUP_GP5_FALL	0	GP5 (Falling) Wake-Up Select 0 = Disabled 1 = Enabled
	4	WKUP_GP5_RISE	0	GP5 (Rising) Wake-Up Select 0 = Disabled 1 = Enabled
	3	WKUP_JD1_FALL	0	JD1 (Falling) Wake-Up Select 0 = Disabled 1 = Enabled
	2	WKUP_JD1_RISE	0	JD1 (Rising) Wake-Up Select 0 = Disabled 1 = Enabled

**Table 84 JD1, GP5 and MICDET Clamp Wake-Up Control Registers**



When a valid 'Wake-Up' event is detected, the WM8281 will enable LDO1 (and DCVDD), and a user-configurable Boot Sequence is executed (see "Hardware Reset, Software Reset, Wake-Up, and Device ID").

Note that the trigger status (\_TRIG\_STS) bits are latching fields. Care is required when resetting these bits, to ensure the intended device behaviour - resetting the \_TRIG\_STS register(s) may cause LDO1 (and DCVDD) to be disabled.

For normal device operation following a 'Wake-Up' transition, the LDO1\_ENA register must be set (or the LDOENA pin asserted) before the \_TRIG\_STS bit(s) are reset. (Note that further options are described in the next section.)

For recommended use of the Sleep / Wake-Up functions, it is assumed that DCVDD is powered from the output of LDO1 (see "Charge Pumps, Regulators and Voltage Reference").

If DCVDD is powered externally (not from LDO1), then the JD1, GP5 and MICDET Clamp inputs cannot trigger a Wake-Up transition directly; a Wake-Up transition will only occur by re-application of DCVDD. In this configuration, the JD1, GP5 or MICDET Clamp inputs can provide a signal to the host processor, via the IRQ output; if a Wake-Up transition is required, this can be implemented by the host processor controlling the DCVDD supply.

If DCVDD is powered externally, then the WKUP\_\* control bits described in Table 84 must be held at 0 at all times.

### WRITE SEQUENCE CONTROL

A Control Write Sequence can be associated with any of the JD1, GP5 or MICDET Clamp trigger status bits. This is selected using the register bits described in Table 85.

Note that the JD1, GP5 and MICDET Clamp trigger status bits can be used to trigger the Control Write Sequencer at any time. This feature may be used during normal operation, or immediately following a Wake-Up transition.

REGISTER ADDRESS	BIT	LABEL	DEFAULT	DESCRIPTION
R65 (0041h) Sequence Control	7	WSEQ_ENA_MICD_C LAMP_FALL	0	MICDET Clamp (Falling) Write Sequencer Select 0 = Disabled 1 = Enabled
	6	WSEQ_ENA_MICD_C LAMP_RISE	0	MICDET Clamp (Rising) Write Sequencer Select 0 = Disabled 1 = Enabled
	5	WSEQ_ENA_GP5_FA LL	0	GP5 (Falling) Write Sequencer Select 0 = Disabled 1 = Enabled
	4	WSEQ_ENA_GP5_RIS E	0	GP5 (Rising) Write Sequencer Select 0 = Disabled 1 = Enabled
	3	WSEQ_ENA_JD1_FAL L	0	JD1 (Falling) Write Sequencer Select 0 = Disabled 1 = Enabled
	2	WSEQ_ENA_JD1_RIS E	0	JD1 (Rising) Write Sequencer Select 0 = Disabled 1 = Enabled

**Table 85 JD1, GP5 and MICDET Clamp Write Sequencer Control Registers**

When a valid 'Write Sequencer' control event is detected, the respective control sequence will be scheduled. See "Control Write Sequencer" for further details.

Note that the trigger status (`_TRIG_STS`) bits are latching fields. Care is required when resetting these bits, to ensure the intended device behaviour - resetting the `_TRIG_STS` register(s) may cause LDO1 (and DCVDD) to be disabled.

A valid clock (SYSCLK) must be enabled whenever a Control Write Sequence is scheduled.

If the JD1, GP5 or MICDET Clamp trigger status bits are associated with the Control Write Sequencer (using the register bits in Table 85) and also configured as Wake-Up events (using the register bits in Table 84), then the Boot Sequence must be programmed to configure and enable SYSCLK. (Note that the default SYSCLK frequency must be used in this case.)

The Boot Sequence (see "Hardware Reset, Software Reset, Wake-Up, and Device ID") is scheduled as part of the Wake-Up transition, and provides the capability to configure SYSCLK (and other register settings) prior to the Control Write Sequencer being triggered.

Note that, if the Control Write Sequencer is triggered during normal operation, then SYSCLK will typically be already available, and no additional requirements will apply.

To return to Sleep mode following a Wake-Up / Write Sequence, the last step of the control sequence must be to write '1' to the applicable trigger status bit(s). The `_TRIG_STS` bit(s) will be reset, LDO1 will be disabled, and the WM8281 will be in Sleep mode. (The `LDO1_ENA` bit must be set to 0, and the LDOENA pin must not be asserted.)

To remain 'On' at the end of a Wake-up / Write Sequence, the control sequence must write '1' to the `LDO1_ENA` bit before resetting the trigger status bit(s). Alternatively, the host processor should assert the LDOENA pin before resetting the trigger status bit(s).

When the Control Write Sequencer is triggered during normal operation, it can be programmed to select the Sleep mode by writing '0' to the `LDO1_ENA` bit. (The LDOENA pin must not be asserted.)

See "Charge Pumps, Regulators and Voltage Reference" for details of the `LDO1_ENA` control bit.

## INTERRUPT CONTROL

An Interrupt Request (IRQ) event can be associated with the JD1, GP5 or MICDET Clamp signals. Separate 'mask' bits are provided to enable IRQ events on the rising and/or falling edges of each signal.

See "Interrupts" for further details.

## GENERAL PURPOSE INPUT / OUTPUT

The WM8281 provides a number of GPIO functions to enable interfacing and detection of external hardware and to provide logic outputs to other devices. The GPIO input functions can be used to generate an Interrupt (IRQ) event. The GPIO and Interrupt circuits support the following functions:

- Digital audio interface function (AIFnTXLRCLK)
- Logic input / Button detect (GPIO input)
- Logic '1' and logic '0' output (GPIO output)
- Interrupt (IRQ) status output
- DSP Status Flag (DSP IRQn) and RAM status output
- Clock output
- Frequency Locked Loop (FLL) status output
- Frequency Locked Loop (FLL) Clock output
- Pulse Width Modulation (PWM) Signal output
- Headphone Detection status output
- Microphone / Accessory Detection status output
- Headphone Enable status output
- Boot Sequence status output
- Asynchronous Sample Rate Converter (ASRC) Lock status and Configuration Error output
- Isochronous Sample Rate Converter (ISRC) Configuration Error output
- Over-Temperature, Short Circuit Protection, and Speaker Shutdown status output
- Dynamic Range Control (DRC) status output
- Control Write Sequencer status output
- Control Interface Error status output
- Clocking Error status output

Note that the GPIO pins are referenced to different power domains (DBVDD1, DBVDD2 or DBVDD3), as noted in the "Pin Description" section.

The GPIO4 function shares the same pin as CIF1MISO (see "Control Interface"). The GPIO4 function is enabled by setting SPI\_GPIO = 0, as described in Table 113.

In addition to the functions described in this section, the GPIO5 pin can be configured as an input to the Control Write Sequencer (see "Control Write Sequencer"). See also Table 85 for details of the associated register control fields.

The GPIO5 pin is one of the 'Always On' digital input / output pins and can be used as a 'Wake-Up' input in the low-power 'Sleep' mode. The GPIO5 pin can also be used as an input to the MICDET Clamp function, supporting additional functionality relating to jack insertion or jack removal events. See "Low Power Sleep Configuration" for further details.

The WM8281 also incorporates a General Purpose Switch feature, which can be used as a controllable analogue switch; details of this are provided at the end of this "General Purpose Input / Output" section.

## GPIO CONTROL

For each GPIO, the selected function is determined by the  $GPn\_FN$  field, where  $n$  identifies the GPIO pin (1, 2, 3, 4 or 5). The pin direction, set by  $GPn\_DIR$ , must be set according to function selected by  $GPn\_FN$ .

When a pin is configured as a GPIO input ( $GPn\_DIR = 1$ ,  $GPn\_FN = 01h$ ), the logic level at the pin can be read from the respective  $GPn\_LVL$  bit. Note that  $GPn\_LVL$  is not affected by the  $GPn\_POL$  bit.

A de-bounce circuit can be enabled on any GPIO input, to avoid false event triggers. This is enabled on each pin by setting the respective  $GPn\_DB$  bit. The de-bounce circuit uses the 32kHz clock, which must be enabled whenever input de-bounce functions are required. The de-bounce time is configurable using the  $GP\_DBTIME$  register. See "Clocking and Sample Rates" for further details of the WM8281 clocking configuration.

Each of the GPIO pins is an input to the Interrupt control circuit and can be used to trigger an Interrupt event. An interrupt event is triggered on the rising and falling edges of the GPIO input. The associated interrupt bit is latched once set; it can be polled at any time or used to control the IRQ signal. See "Interrupts" for more details of the Interrupt event handling.

Integrated pull-up and pull-down resistors are provided on each of the GPIO pins; these can be configured independently using the  $GPn\_PU$  and  $GPn\_PD$  fields. Note that, if  $GPn\_PU$  and  $GPn\_PD$  are both set for any GPIO pin, then the pull-up and pull-down will be disabled.

When a pin is configured as a GPIO output ( $GPn\_DIR = 0$ ,  $GPn\_FN = 01h$ ), its level can be set to logic 0 or logic 1 using the  $GPn\_LVL$  field. Note that the  $GPn\_LVL$  registers are 'write only' when the respective GPIO pin is configured as an output.

When a pin is configured as an output ( $GPn\_DIR = 0$ ), the polarity can be inverted using the  $GPn\_POL$  bit. When  $GPn\_POL = 1$ , then the selected output function is inverted. In the case of Logic Level output ( $GPn\_FN = 01h$ ), the external output will be the opposite logic level to  $GPn\_LVL$  when  $GPn\_POL = 1$ .

A GPIO output can be either CMOS driven or Open Drain. This is selected on each pin using the respective  $GPn\_OP\_CFG$  bit.

The register fields that control the GPIO pins are described in Table 86.

REGISTER ADDRESS	BIT	LABEL	DEFAULT	DESCRIPTION
R3072 (0C00h) GPIO1 CTRL	15	GPn_DIR	1	GPIO Pin Direction 0 = Output 1 = Input
to	14	GPn_PU	0	GPIO Pull-Up Enable 0 = Disabled 1 = Enabled
R3076 (0C04h) GPIO5 CTRL	13	GPn_PD	1	GPIO Pull-Down Enable 0 = Disabled 1 = Enabled
	11	GPn_LVL	0	GPIO level. Write to this bit to set a GPIO output. Read from this bit to read GPIO input level. For output functions only, when GPn_POL is set, the register is the opposite logic level to the external pin. Note that the GPn_LVL register is 'write only' when GPn_DIR=0.
	10	GPn_POL	0	GPIO Output Polarity Select 0 = Non-inverted (Active High) 1 = Inverted (Active Low)
	9	GPn_OP_CFG	0	GPIO Output Configuration 0 = CMOS 1 = Open Drain
	8	GPn_DB	1	GPIO Input De-bounce 0 = Disabled 1 = Enabled
	6:0	GPn_FN [6:0]	01h	GPIO Pin Function (see Table 87 or Table 88 for details)
R3088 (0C10h) GPIO Debounce Config	15:12	GP_DBTIME [3:0]	0001	GPIO Input de-bounce time 0h = 100us 1h = 1.5ms 2h = 3ms 3h = 6ms 4h = 12ms 5h = 24ms 6h = 48ms 7h = 96ms 8h = 192ms 9h = 384ms Ah = 768ms Bh to Fh = Reserved
<b>Note:</b> <i>n</i> is a number (1, 2, 3, 4 or 5) that identifies the individual GPIO.				

**Table 86 GPIO Control**

**GPIO FUNCTION SELECT**

The available GPIO functions for GPIO pins 1, 2, 3 and 4 are described in Table 87. A subset of these functions is available for GPIO5, as described in Table 88.

The function of each GPIO is set using the  $GPn\_FN$  register, where  $n$  identifies the GPIO pin (1, 2, 3, 4 or 5). Note that the respective  $GPn\_DIR$  must also be set according to whether the function is an input or output.

<b>GPn_FN</b>	<b>DESCRIPTION</b>	<b>COMMENTS</b>
00h	GPIO1 - AIF1TXLRCLK GPIO2 - AIF2TXLRCLK GPIO3 - AIF3TXLRCLK GPIO4 - Reserved	Alternate Audio Interface connections for AIF1, AIF2 and AIF3
01h	Button detect input / Logic level output	$GPn\_DIR = 0$ : GPIO pin logic level is set by $GPn\_LVL$ . $GPn\_DIR = 1$ : Button detect or logic level input.
02h	IRQ1 Output	Interrupt (IRQ1) output 0 = IRQ1 not asserted 1 = IRQ1 asserted
03h	IRQ2 Output	Interrupt (IRQ2) output 0 = IRQ2 not asserted 1 = IRQ2 asserted
04h	OPCLK Clock Output	Configurable clock output derived from SYSCLK
05h	FLL1 Clock	Clock output from FLL1
06h	FLL2 Clock	Clock output from FLL2
08h	PWM1 Output	Configurable Pulse Width Modulation output PWM1
09h	PWM2 Output	Configurable Pulse Width Modulation output PWM2
0Ah	SYSCLK Underclocked Error	Indicates that an unsupported clocking configuration has been attempted 0 = Normal 1 = SYSCLK underclocking error
0Bh	ASYNCCLK Underclocked Error	Indicates that an unsupported clocking configuration has been attempted 0 = Normal 1 = ASYNCCLK underclocking error
0Ch	FLL1 Lock	Indicates FLL1 Lock status 0 = Not locked 1 = Locked
0Dh	FLL2 Lock	Indicates FLL2 Lock status 0 = Not locked 1 = Locked
0Fh	FLL1 Clock OK	Indicates FLL1 Clock OK status 0 = FLL1 Clock output is not active 1 = FLL1 Clock output is active
10h	FLL2 Clock OK	Indicates FLL2 Clock OK status 0 = FLL2 Clock output is not active 1 = FLL2 Clock output is active
12h	Headphone detect	Indicates Headphone Detection status 0 = Headphone Detect not complete 1 = Headphone Detect complete
13h	Microphone detect	Microphone Detect (MICDET accessory) IRQ output A single 31 $\mu$ s pulse is output whenever an accessory insertion, removal or impedance change is detected.

GPn_FN	DESCRIPTION	COMMENTS
15h	Write Sequencer status	Indicates Write Sequencer status A short pulse is output when the Write Sequencer has completed all scheduled sequences.
16h	Control Interface Address Error	Indicates Control Interface Address error 0 = Normal 1 = Control Interface Address error
17h	ADC Overflow Error	Indicates an overflow condition in the input signal paths 0 = Normal 1 = ADC overflow error
18h	ADC CIC Error	Indicates a CIC error condition in the input signal paths 0 = Normal 1 = ADC CIC error
19h	ADC FIFO Error	Indicates a FIFO error condition in the input signal paths 0 = Normal 1 = ADC FIFO error
1Ah	ASRC1 Lock	Indicates ASRC1 Lock status 0 = Not locked 1 = Locked
1Bh	ASRC2 Lock	Indicates ASRC2 Lock status 0 = Not locked 1 = Locked
1Ch	ASRC Configuration Error	Indicates ASRC configuration error 0 = ASRC configuration OK 1 = ASRC configuration error
1Dh	DRC1 Signal Detect	Indicates DRC1 Signal Detect status 0 = Signal threshold not exceeded 1 = Signal threshold exceeded
1Eh	DRC1 Anti-Clip Active	Indicates DRC1 Anti-Clip status 0 = Anti-Clip is not active 1 = Anti-Clip is active
1Fh	DRC1 Decay Active	Indicates DRC1 Decay status 0 = Decay is not active 1 = Decay is active
20h	DRC1 Noise Gate Active	Indicates DRC1 Noise Gate status 0 = Noise Gate is not active 1 = Noise Gate is active
21h	DRC1 Quick Release Active	Indicates DRC1 Quick Release status 0 = Quick Release is not active 1 = Quick Release is active
22h	DRC2 Signal Detect	Indicates DRC2 Signal Detect status 0 = Signal threshold not exceeded 1 = Signal threshold exceeded
23h	DRC2 Anti-Clip Active	Indicates DRC2 Anti-Clip status 0 = Anti-Clip is not active 1 = Anti-Clip is active
24h	DRC2 Decaying	Indicates DRC2 Decay status 0 = Decay is not active 1 = Decay is active
25h	DRC2 Noise Gate Active	Indicates DRC2 Noise Gate status 0 = Noise Gate is not active 1 = Noise Gate is active
26h	DRC2 Quick Release Active	Indicates DRC2 Quick Release status 0 = Quick Release is not active 1 = Quick Release is active
27h	Mixer Dropped Sample Error	Indicates a dropped sample in the digital core mixers 0 = Normal 1 = Mixer dropped sample error

GPn_FN	DESCRIPTION	COMMENTS
2Bh	Speaker Overheat Shutdown	Indicates Shutdown Temperature status 0 = Temperature is below shutdown level 1 = Temperature is above shutdown level
2Ch	Speaker Overheat Warning	Indicates Warning Temperature status 0 = Temperature is below warning level 1 = Temperature is above warning level
2Dh	Underclocked Error	Indicates insufficient SYSCLK or ASYNCCLK cycles for one or more of the selected signal paths or signal processing functions. Increasing the SYSCLK or ASYNCCLK frequency (as applicable) should allow the selected configuration to be supported. 0 = Normal 1 = Underclocked error
2Eh	Overclocked Error	Indicates that an unsupported device configuration has been attempted, as the clocking requirements of the requested configuration exceed the device limits. 0 = Normal 1 = Overclocked error
2Fh	HP1L Status	HPOUT1L Enable Status A short pulse is output when the HPOUT1L Enable control sequence has completed.
30h	HP1R Status	HPOUT1R Enable Status A short pulse is output when the HPOUT1R Enable control sequence has completed.
31h	HP2L Status	HPOUT2L Enable Status A short pulse is output when the HPOUT2L Enable control sequence has completed.
32h	HP2R Status	HPOUT2R Enable Status A short pulse is output when the HPOUT2R Enable control sequence has completed.
33h	HP3L Status	HPOUT3L Enable Status A short pulse is output when the HPOUT3L Enable control sequence has completed.
34h	HP3R Status	HPOUT3R Enable Status A short pulse is output when the HPOUT3R Enable control sequence has completed.
35h	DSP IRQ1 Flag	DSP Status flag (DSP_IRQ1) output 0 = DSP_IRQ1 not asserted 1 = DSP_IRQ1 asserted
36h	DSP IRQ2 Flag	DSP Status flag (DSP_IRQ2) output 0 = DSP_IRQ2 not asserted 1 = DSP_IRQ2 asserted
37h	DSP IRQ3 Flag	DSP Status flag (DSP_IRQ3) output 0 = DSP_IRQ3 not asserted 1 = DSP_IRQ3 asserted
38h	DSP IRQ4 Flag	DSP Status flag (DSP_IRQ4) output 0 = DSP_IRQ4 not asserted 1 = DSP_IRQ4 asserted
39h	DSP IRQ5 Flag	DSP Status flag (DSP_IRQ5) output 0 = DSP_IRQ5 not asserted 1 = DSP_IRQ5 asserted
3Ah	DSP IRQ6 Flag	DSP Status flag (DSP_IRQ6) output 0 = DSP_IRQ6 not asserted 1 = DSP_IRQ6 asserted
3Bh	DSP IRQ7 Flag	DSP Status flag (DSP_IRQ7) output 0 = DSP_IRQ6 not asserted 1 = DSP_IRQ6 asserted



GPn_FN	DESCRIPTION	COMMENTS
3Ch	DSP IRQ8 Flag	DSP Status flag (DSP_IRQ8) output 0 = DSP_IRQ6 not asserted 1 = DSP_IRQ6 asserted
3Dh	OPCLK Async Clock Output	Configurable clock output derived from ASYNCCLK
44h	Boot Done	Boot Status A short pulse is output when the Boot Sequence has completed.
45h	DSP1 RAM Ready	DSP1 RAM Status 0 = Not ready 1 = Ready
46h	DSP2 RAM Ready	DSP2 RAM Status 0 = Not ready 1 = Ready
47h	DSP3 RAM Ready	DSP3 RAM Status 0 = Not ready 1 = Ready
48h	DSP4 RAM Ready	DSP4 RAM Status 0 = Not ready 1 = Ready
4Bh	SYSCLK_ENA Status	SYSCLK_ENA Status 0 = SYSCLK_ENA is enabled 1 = SYSCLK_ENA is disabled
4Ch	ASYNC_CLK_ENA Status	ASYNC_CLK_ENA Status 0 = ASYNC_CLK_ENA is enabled 1 = ASYNC_CLK_ENA is disabled
4Dh	ISRC1 Configuration Error	Indicates ISRC1 configuration error 0 = ISRC configuration OK 1 = ISRC configuration error
4Eh	ISRC2 Configuration Error	Indicates ISRC2 configuration error 0 = ISRC configuration OK 1 = ISRC configuration error
4Fh	ISRC3 Configuration Error	Indicates ISRC3 configuration error 0 = ISRC configuration OK 1 = ISRC configuration error
53h	HPOUT1L Short Circuit Status (Negative side)	HPOUT1L Short Circuit status 0 = Normal 1 = Short Circuit detected
54h	HPOUT1R Short Circuit Status (Negative side)	HPOUT1R Short Circuit status 0 = Normal 1 = Short Circuit detected
55h	HPOUT1L Short Circuit Status (Positive side)	HPOUT1L Short Circuit status 0 = Normal 1 = Short Circuit detected
56h	HPOUT1R Short Circuit Status (Positive side)	HPOUT1R Short Circuit status 0 = Normal 1 = Short Circuit detected
57h	HPOUT2L Short Circuit Status (Negative side)	HPOUT2L Short Circuit status 0 = Normal 1 = Short Circuit detected
58h	HPOUT2R Short Circuit Status (Negative side)	HPOUT2R Short Circuit status 0 = Normal 1 = Short Circuit detected
59h	HPOUT2L Short Circuit Status (Positive side)	HPOUT2L Short Circuit status 0 = Normal 1 = Short Circuit detected

GPn_FN	DESCRIPTION	COMMENTS
5Ah	HPOUT2R Short Circuit Status (Positive side)	HPOUT2R Short Circuit status 0 = Normal 1 = Short Circuit detected
5Bh	HPOUT3L Short Circuit Status (Negative side)	HPOUT3L Short Circuit status 0 = Normal 1 = Short Circuit detected
5Ch	HPOUT3R Short Circuit Status (Negative side)	HPOUT3R Short Circuit status 0 = Normal 1 = Short Circuit detected
5Dh	HPOUT3L Short Circuit Status (Positive side)	HPOUT3L Short Circuit status 0 = Normal 1 = Short Circuit detected
5Eh	HPOUT3R Short Circuit Status (Positive side)	HPOUT3R Short Circuit status 0 = Normal 1 = Short Circuit detected
5Fh	SPKOUTL Short Circuit Status	SPKOUTL Short Circuit status 0 = Normal 1 = Short Circuit detected
60h	SPKOUTR Short Circuit Status	SPKOUTR Short Circuit status 0 = Normal 1 = Short Circuit detected
61h	Speaker Shutdown Status	Speaker Shutdown Status 0 = Normal 1 = Speaker Shutdown completed (due to Overheat Temperature or Short Circuit condition)

**Table 87 GPIO Function Select (GPIO1, GPIO2, GPIO3, GPIO4)**

GPn_FN	DESCRIPTION	COMMENTS
00h	Reserved	
01h	Button detect input / Logic level output	GPn_DIR = 0: GPIO pin logic level is set by GPn_LVL. GPn_DIR = 1: Button detect or logic level input.
02h	IRQ1 Output	Interrupt (IRQ1) output 0 = IRQ1 not asserted 1 = IRQ1 asserted
03h	IRQ2 Output	Interrupt (IRQ2) output 0 = IRQ2 not asserted 1 = IRQ2 asserted
04h	OPCLK Clock Output	Configurable clock output derived from SYSCLK
05h	FLL1 Clock	Clock output from FLL1
06h	FLL2 Clock	Clock output from FLL2
07h	Reserved	
08h	PWM1 Output	Configurable Pulse Width Modulation output PWM1
09h	PWM2 Output	Configurable Pulse Width Modulation output PWM2
3Dh	OPCLK Async Clock Output	Configurable clock output derived from ASYNCCLK

**Table 88 GPIO Function Select (GPIO5)**

**DIGITAL AUDIO INTERFACE FUNCTION (AIFnTXLRCLK)**

GP<sub>n</sub>\_FN = 00h.

The WM8281 provides three digital audio interfaces (AIF1, AIF2 and AIF3).

Under default conditions, the input (RX) and output (TX) paths of each interface use the respective AIFnRXLRCLK signal as the frame synchronisation clock. If desired, the output (TX) interface can be configured to use a separate frame clock, AIFnTXLRCLK, using the AIFnTX\_LRCLK\_SRC registers as described in “Digital Audio Interface Control”.

The AIFnTXLRCLK function is selected on the respective GPIO pin by setting the GPIO registers as described in “GPIO Control”.

**BUTTON DETECT (GPIO INPUT)**

GP<sub>n</sub>\_FN = 01h.

Button detect functionality can be selected on a GPIO pin by setting the respective GPIO registers as described in “GPIO Control”. The same functionality can be used to support a Jack Detect input function.

It is recommended to enable the GPIO input de-bounce feature when using GPIOs as button input or Jack Detect input.

The GP<sub>n</sub>\_LVL fields may be read to determine the logic levels on a GPIO input, after the selectable de-bounce controls. Note that GP<sub>n</sub>\_LVL is not affected by the GP<sub>n</sub>\_POL bit.

The de-bounced GPIO signals are also inputs to the Interrupt control circuit. An interrupt event is triggered on the rising and falling edges of the GPIO input. The associated interrupt bits are latched once set; it can be polled at any time or used to control the IRQ signal. See “Interrupts” for more details of the Interrupt event handling.

**LOGIC ‘1’ AND LOGIC ‘0’ OUTPUT (GPIO OUTPUT)**

GP<sub>n</sub>\_FN = 01h.

The WM8281 can be programmed to drive a logic high or logic low level on a GPIO pin by selecting the “GPIO Output” function as described in “GPIO Control”.

The output logic level is selected using the respective GP<sub>n</sub>\_LVL bit. Note that the GP<sub>n</sub>\_LVL registers are ‘write only’ when the respective GPIO pin is configured as an output.

The polarity of the GPIO output can be inverted using the GP<sub>n</sub>\_POL registers. If GP<sub>n</sub>\_POL=1, then the external output will be the opposite logic level to GP<sub>n</sub>\_LVL.

**INTERRUPT (IRQ) STATUS OUTPUT**

GP<sub>n</sub>\_FN = 02h, 03h.

The WM8281 has an Interrupt Controller which can be used to indicate when any selected Interrupt events occur. An interrupt can be generated by any of the events described throughout the GPIO function definition above. Individual interrupts may be masked in order to configure the Interrupt as required. See “Interrupts” for further details.

The Interrupt Controller supports two separate Interrupt Request (IRQ) outputs. The IRQ1 or IRQ2 status may be output directly on a GPIO pin by setting the respective GPIO registers as described in “GPIO Control”.

Note that the IRQ1 status is output on the IRQ pin at all times.

### DSP STATUS FLAG (DSP IRQn) OUTPUT

GPn\_FN = 35h, 36h, 37h, 38h, 39h, 3A, 3Bh, 3Ch, 45h, 46h, 47h, 48h.

The WM8281 supports up to eight DSP Status flags as outputs from the DSP blocks. These are configurable within the DSP to provide external indication of the required function(s). Status flags indicating the DSPn RAM status (where 'n' is 1, 2, 3 or 4) are also supported. See "Digital Core" for more details of the DSP blocks.

The DSP Status and DSP RAM Ready flags may be output directly on a GPIO pin by setting the respective GPIO registers as described in "GPIO Control". The DSP Status and DSP RAM Ready outputs are described in Table 89.

The DSP Status flags are inputs to the Interrupt Controller circuit. An interrupt event is triggered on the rising edge of the DSP Status (DSP\_IRQn) flags or DSP RAM Ready flags. The associated interrupt bits are latched once set; they can be polled at any time or used to control the IRQ signal. See "Interrupts" for more details of the Interrupt event handling.

GPn_FN	DESCRIPTION	COMMENTS
35h	DSP Status (DSP_IRQ1)	External indication of DSP_IRQ1_STS
36h	DSP Status (DSP_IRQ2)	External indication of DSP_IRQ2_STS
37h	DSP Status (DSP_IRQ3)	External indication of DSP_IRQ3_STS
38h	DSP Status (DSP_IRQ4)	External indication of DSP_IRQ4_STS
39h	DSP Status (DSP_IRQ5)	External indication of DSP_IRQ5_STS
3Ah	DSP Status (DSP_IRQ6)	External indication of DSP_IRQ6_STS
3Bh	DSP Status (DSP_IRQ7)	External indication of DSP_IRQ7_STS
3Ch	DSP Status (DSP_IRQ8)	External indication of DSP_IRQ8_STS
45h	DSP1 RAM Ready	Indicates DSP1 RAM Ready status
46h	DSP2 RAM Ready	Indicates DSP2 RAM Ready status
47h	DSP3 RAM Ready	Indicates DSP3 RAM Ready status
48h	DSP4 RAM Ready	Indicates DSP4 RAM Ready status

**Table 89 DSP Status and RAM Ready Indications**

### OPCLK AND OPCLK\_ASYNC CLOCK OUTPUT

GPn\_FN = 04h, 3Dh.

A clock output (OPCLK) derived from SYSCLK can be output on a GPIO pin. The OPCLK frequency is controlled by OPCLK\_DIV and OPCLK\_SEL. The OPCLK output is enabled using the OPCLK\_ENA register, as described in Table 90.

A clock output (OPCLK\_ASYNC) derived from ASYNCCLK can be output on a GPIO pin. The OPCLK\_ASYNC frequency is controlled by OPCLK\_ASYNC\_DIV and OPCLK\_ASYNC\_SEL. The OPCLK\_ASYNC output is enabled using the OPCLK\_ASYNC\_ENA register.

It is recommended to disable the clock output (OPCLK\_ENA=0 or OPCLK\_ASYNC\_ENA=0) before making any change to the respective OPCLK\_DIV, OPCLK\_SEL, OPCLK\_ASYNC\_DIV or OPCLK\_ASYNC\_SEL registers.

The OPCLK or OPCLK\_ASYNC Clock outputs can be output directly on a GPIO pin by setting the respective GPIO registers as described in "GPIO Control".

Note that the OPCLK source frequency cannot be higher than the SYSCLK frequency. The OPCLK\_ASYNC source frequency cannot be higher than the ASYNCCLK frequency. The maximum output frequency supported for GPIO output is noted in the "Electrical Characteristics".

See "Clocking and Sample Rates" for more details of the system clocks (SYSCLK and ASYNCCLK).

REGISTER ADDRESS	BIT	LABEL	DEFAULT	DESCRIPTION
R329 (0149h) Output system clock	15	OPCLK_ENA	0	OPCLK Enable 0 = Disabled 1 = Enabled
	7:3	OPCLK_DIV [4:0]	00h	OPCLK Divider 00h = Divide by 1 01h = Divide by 1 02h = Divide by 2 03h = Divide by 3 ... 1Fh = Divide by 31
	2:0	OPCLK_SEL [2:0]	000	OPCLK Source Frequency 000 = 6.144MHz (5.6448MHz) 001 = 12.288MHz (11.2896MHz) 010 = 24.576MHz (22.5792MHz) 011 = 49.152MHz (45.1584MHz) All other codes are Reserved The frequencies in brackets apply for 44.1kHz-related SYSCLK rates only (ie. SAMPLE_RATE_n = 01XXX). The OPCLK Source Frequency must be less than or equal to the SYSCLK frequency.
R330 (014Ah) Output async clock	15	OPCLK_ASYNC_ENA	0	OPCLK_ASYNC Enable 0 = Disabled 1 = Enabled
	7:3	OPCLK_ASYNC_DIV [4:0]	00h	OPCLK_ASYNC Divider 00h = Divide by 1 01h = Divide by 1 02h = Divide by 2 03h = Divide by 3 ... 1Fh = Divide by 31
	2:0	OPCLK_ASYNC_SEL [2:0]	000	OPCLK_ASYNC Source Frequency 000 = 6.144MHz (5.6448MHz) 001 = 12.288MHz (11.2896MHz) 010 = 24.576MHz (22.5792MHz) 011 = 49.152MHz (45.1584MHz) All other codes are Reserved The frequencies in brackets apply for 44.1kHz-related ASYNCCLK rates only (ie. ASYNC_SAMPLE_RATE_n = 01XXX). The OPCLK_ASYNC Source Frequency must be less than or equal to the ASYNCCLK frequency.

**Table 90 OPCLK and OPCLK\_ASYNC Control**

### FREQUENCY LOCKED LOOP (FLL) STATUS OUTPUT

GP<sub>n</sub>\_FN = 0Ch, 0Dh, 0Fh, 10h.

The WM8281 supports FLL status flags, which may be used to control other events. See “Clocking and Sample Rates” for more details of the FLL.

The ‘FLL Clock OK’ signals indicate that the respective FLL has started up and is providing an output clock. The ‘FLL Lock’ signals indicate whether FLL Lock has been achieved.

The FLL Clock OK and FLL Lock signals may be output directly on a GPIO pin by setting the respective GPIO registers as described in “GPIO Control”.

The FLL Clock OK and FLL Lock signals are inputs to the Interrupt Controller circuit. An interrupt event is triggered on the rising and falling edges of these signals. The associated interrupt bits are latched once set; they can be polled at any time or used to control the IRQ signal. See “Interrupts” for more details of the Interrupt event handling.

### FREQUENCY LOCKED LOOP (FLL) CLOCK OUTPUT

GP<sub>n</sub>\_FN = 05h, 06h.

Clock outputs derived from the FLLs may be output on a GPIO pin. The GPIO output from each FLL<sub>n</sub> (where ‘n’ is 1 or 2) is controlled by the respective FLL<sub>n</sub>\_GPCLK\_DIV and FLL<sub>n</sub>\_GPCLK\_ENA registers, as described in Table 91.

It is recommended to disable the clock output (FLL<sub>n</sub>\_GPCLK\_ENA=0) before making any change to the respective FLL<sub>n</sub>\_GPCLK\_DIV register.

Note that the FLL<sub>n</sub>\_GPCLK\_DIV and FLL<sub>n</sub>\_GPCLK\_ENA registers affect the GPIO outputs only; they do not affect the FLL frequency. The maximum output frequency supported for GPIO output is noted in the “Electrical Characteristics”.

The Frequency Locked Loop (FLL) Clock outputs may be output directly on a GPIO pin by setting the respective GPIO registers as described in “GPIO Control”.

See “Clocking and Sample Rates” for more details of the WM8281 system clocking and for details of how to configure the FLLs.

REGISTER ADDRESS	BIT	LABEL	DEFAULT	DESCRIPTION
R394 (018Ah) FLL1 GPIO Clock	7:1	FLL1_GPCLK_DIV [6:0]	06h	FLL1 GPIO Clock Divider 00h to 06h= Divide by 6 07h = Divide by 7 08h = Divide by 8 09h = Divide by 9 ... 7Fh = Divide by 127 (F <sub>GPIO</sub> = F <sub>VCO</sub> / FLL1_GPCLK_DIV)
	0	FLL1_GPCLK_ENA	0	FLL1 GPIO Clock Enable 0 = Disabled 1 = Enabled
R426 (01AAh) FLL2 GPIO Clock	7:1	FLL2_GPCLK_DIV [6:0]	06h	FLL2 GPIO Clock Divider 00h to 06h= Divide by 6 07h = Divide by 7 08h = Divide by 8 09h = Divide by 9 ... 7Fh = Divide by 127 (F <sub>GPIO</sub> = F <sub>VCO</sub> / FLL2_GPCLK_DIV)
	0	FLL2_GPCLK_ENA	0	FLL2 GPIO Clock Enable 0 = Disabled 1 = Enabled

**Table 91 FLL Clock Output Control**

### PULSE WIDTH MODULATION (PWM) SIGNAL OUTPUT

GP<sub>n</sub>\_FN = 08h, 09h.

The WM8281 incorporates two Pulse Width Modulation (PWM) signal generators which can be enabled as GPIO outputs. The duty cycle of each PWM signal can be modulated by an audio source, or can be set to a fixed value using a control register setting.

The Pulse Width Modulation (PWM) outputs may be output directly on a GPIO pin by setting the respective GPIO registers as described in “GPIO Control”.

See “Digital Core” for details of how to configure the PWM signal generators.

Note that the PWM output should always be disabled (PWM<sub>n</sub>\_ENA=0, as described in Table 22) whenever the system clock, SYSCLK, is disabled. Failure to do this may result in a persistent logic ‘1’ DC output from the PWM generator. See “Clocking and Sample Rates” for details of system clocking and the associated control requirements.

### HEADPHONE DETECTION STATUS OUTPUT

GP<sub>n</sub>\_FN = 12h.

The WM8281 provides a headphone detection circuit on the HPDETL and HPDETR pins to measure the impedance of an external load connected to the headphone outputs. See “External Accessory Detection” for further details.

A logic signal from the headphone detection circuit may be output directly on a GPIO pin by setting the respective GPIO registers as described in “GPIO Control”. This logic signal is set low when a Headphone Detect measurement is triggered, and is set high when the Headphone Detect function has completed. A rising edge indicates completion of a Headphone Detect measurement.

The headphone detection circuit is also an input to the Interrupt control circuit. An interrupt event is triggered whenever a headphone detection measurement has completed. Note that the HPDET\_EINT flag is also asserted when the headphone detection is initiated. The associated interrupt bit is latched once set; it can be polled at any time or used to control the IRQ signal. See “Interrupts” for more details of the Interrupt event handling.

### MICROPHONE / ACCESSORY DETECTION STATUS OUTPUT

GP<sub>n</sub>\_FN = 13h.

The WM8281 provides an impedance measurement circuit on the MICDETL pins to detect the connection of a microphone or other external accessory. See “External Accessory Detection” for further details.

A logic signal from the microphone detect circuit may be output directly on a GPIO pin by setting the respective GPIO registers as described in “GPIO Control”. This logic signal is set high for a pulse duration of 31μs whenever an accessory insertion, removal or impedance change is detected.

The microphone detection circuit is also an input to the Interrupt control circuit. An interrupt event is triggered whenever an accessory insertion, removal or impedance change is detected. The associated interrupt bit is latched once set; it can be polled at any time or used to control the IRQ signal. See “Interrupts” for more details of the Interrupt event handling.

### HEADPHONE ENABLE STATUS OUTPUT

GP<sub>n</sub>\_FN = 2Fh, 30h, 31h, 32h, 33h, 34h.

Whenever a headphone output path is enabled or disabled, a pop-suppression control sequence is triggered. Status outputs indicating the progress of these sequences are provided. Note that this provides See “Output Signal Path” for details of the Output Enable functions.

A logic signal from the Headphone Enable control functions may be output directly on a GPIO pin by setting the respective GPIO registers as described in “GPIO Control”. This logic signal is set high for a short pulse duration (approx. 100ns) whenever the respective control sequence has completed. The headphone control sequence status outputs are described in Table 92.

The Headphone Enable control sequences also provide inputs to the Interrupt control circuit. An interrupt event is triggered on completion of the respective control sequence. The associated interrupt bits are latched once set; they can be polled at any time or used to control the IRQ signal. See “Interrupts” for more details of the Interrupt event handling.

GNP_FN	DESCRIPTION	COMMENTS
2Fh	HPOUT1L Enable Status	A short pulse is output when the respective control sequence has completed.
30h	HPOUT1R Enable Status	
31h	HPOUT2L Enable Status	
32h	HPOUT2R Enable Status	
33h	HPOUT3L Enable Status	
34h	HPOUT3R Enable Status	

**Table 92 Headphone Enable Status Indications**

### BOOT DONE STATUS OUTPUT

GP<sub>n</sub>\_FN = 44h.

The WM8281 executes a user-configurable Boot Sequence following Power-On Reset (POR), Hardware Reset, Software Reset or Wake-Up (from Sleep mode). Control register writes should not be attempted while the Boot Sequence is running.

For details of the Boot Sequence, see “Control Write Sequencer”.

The BOOT\_DONE\_STS register bit (see Table 128) indicates the status of the Boot Sequence. (When BOOT\_DONE\_STS=1, then the Boot Sequence is complete.)

A logic signal from the Boot Sequence function may be output directly on a GPIO pin by setting the respective GPIO registers as described in “GPIO Control”. This logic signal is set high for a short pulse duration (approx. 100ns) when the Boot Sequence has completed. To output this signal, the Boot Sequence must be programmed to configure a GPIO pin for this function. Note that, under default register conditions, completion of the Boot Sequence is indicated via the Interrupt circuit.

The BOOT\_DONE\_STS signal is also an input to the Interrupt Controller circuit. An interrupt event is triggered on the rising edge of this signal. The associated interrupt bit is latched once set; it can be polled at any time or used to control the IRQ signal. See “Interrupts” for more details of the Interrupt event handling.

### ASYNCHRONOUS SAMPLE RATE CONVERTER (ASRC) LOCK STATUS OUTPUT

GP<sub>n</sub>\_FN = 1Ah, 1Bh.

The WM8281 maintains a flag indicating the lock status of the Asynchronous Sample Rate Converters (ASRCs), which may be used to control other events if required. See “Digital Core” for more details of the ASRCs.

The ASRC Lock signals may be output directly on a GPIO pin by setting the respective GPIO registers as described in “GPIO Control”.

The ASRC Lock signals are inputs to the Interrupt control circuit. An interrupt event is triggered on the rising and falling edges of the ASRC Lock signals. The associated interrupt bits are latched once set; they can be polled at any time or used to control the IRQ signal. See “Interrupts” for more details of the Interrupt event handling.

### ASYNCHRONOUS SAMPLE RATE CONVERTER (ASRC) CONFIGURATION ERROR STATUS OUTPUT

GP<sub>n</sub>\_FN = 1Ch.

The WM8281 performs automatic checks to confirm that the ASRCs are configured with valid settings. Invalid settings include conditions where one of the associated sample rates is higher than 48kHz. If an invalid ASRC configuration is detected, this can be indicated using the GPIO and/or Interrupt functions.

The ASRC Configuration Error signal may be output directly on a GPIO pin by setting the respective GPIO registers as described in “GPIO Control”.

The ASRC Configuration Error signal is an input to the Interrupt Controller circuit. An interrupt event is triggered on the rising edge of the ASRC Configuration Error signal. The associated interrupt bit is latched once set; it can be polled at any time or used to control the IRQ signal. See “Interrupts” for more details of the Interrupt event handling.



**ISOCRONOUS SAMPLE RATE CONVERTER (ISRC) CONFIGURATION ERROR STATUS OUTPUT**

GPn\_FN = 4Dh, 4Eh, 4Fh.

The WM8281 performs automatic checks to confirm that the ISRCs are configured with valid settings. Invalid settings include conditions where an invalid combination of sample rates is configured. If an invalid ISRC configuration is detected, this can be indicated using the GPIO and/or Interrupt functions.

The ISRC Configuration Error signal may be output directly on a GPIO pin by setting the respective GPIO registers as described in “GPIO Control”.

The ISRC Configuration Error signals are inputs to the Interrupt Controller circuit. An interrupt event is triggered on the rising edge of the ISRC Configuration Error signals. The associated interrupt bits are latched once set; they can be polled at any time or used to control the IRQ signal. See “Interrupts” for more details of the Interrupt event handling.

**OVER-TEMPERATURE, SHORT CIRCUIT PROTECTION, AND SPEAKER SHUTDOWN STATUS OUTPUT**

GPn\_FN = 2Bh, 2Ch, 53h, 54h, 55h, 56h, 57h, 58h, 59h, 5Ah, 5Bh, 5Ch, 5Dh, 5Eh, 5Fh, 60h, 61h.

The WM8281 incorporates a temperature sensor which detects when the device temperature is within normal limits or if the device is approaching a hazardous temperature condition.

The temperature status may be output directly on a GPIO pin by setting the respective GPIO registers as described in “GPIO Control”. A GPIO pin can be used to indicate either an Overheat Warning Temperature event or an Overheat Shutdown Temperature event.

The WM8281 provides short circuit protection on the Class D speaker outputs, and on each of the headphone output paths.

The status of each of the short circuit detection circuits may be output directly on a GPIO pin by setting the respective GPIO registers as described in “GPIO Control”.

Note that two short circuit indications are implemented for each headphone output channel (relating to detection in the positive and negative output voltage regions respectively); if either of these indications is asserted, then a short circuit condition exists in the respective output path.

If the Overheat Shutdown Temperature is exceeded, or if a short circuit is detected on the Class D speaker outputs, then the Class D speaker outputs will automatically be disabled in order to protect the device. When the speaker driver shutdown is complete, the Speaker Shutdown signal will be asserted. The speaker driver shutdown status can also be output directly on a GPIO pin.

The Overtemperature, Short Circuit protection, and Speaker Shutdown status flags are inputs to the Interrupt control circuit. An interrupt event may be triggered on the applicable edges of these signals. The associated interrupt bit is latched once set; it can be polled at any time or used to control the IRQ signal. See “Interrupts” for more details of the Interrupt event handling.

**DYNAMIC RANGE CONTROL (DRC) STATUS OUTPUT**

GP<sub>n</sub>\_FN = 1Dh, 1Eh, 1Fh, 20h, 21h, 22h, 23h, 24h, 25h, 26h.

The Dynamic Range Control (DRC) circuits provide status outputs, which may be used to control other events if required.

The DRC status flags may be output directly on a GPIO pin by setting the respective GPIO registers as described in “GPIO Control”. The DRC status outputs are described in Table 93.

See “Digital Core” for more details of the DRC.

GP <sub>N</sub> _FN	DESCRIPTION	COMMENTS
1Dh	DRC1 Signal Detect	Indicates a signal is present on the respective DRC path. The threshold level is configurable (see Table 15).
1Eh	DRC1 Anti-Clip Active	Indicates the DRC anti-clip function has been triggered; the DRC gain is decreasing in response to a rising signal level.
1Fh	DRC1 Decay Active	Indicates that the DRC gain is increasing in response to a low-level signal input.
20h	DRC1 Noise Gate Active	Indicates that the DRC noise gate has been triggered; an idle signal condition has been detected.
21h	DRC1 Quick Release Active	Indicates that the DRC quick-release function has been triggered; the DRC gain is increasing rapidly following detection of a short transient peak.
22h	DRC2 Signal Detect	Description as above.
23h	DRC2 Anti-Clip Active	Description as above.
24h	DRC2 Decay Active	Description as above.
25h	DRC2 Noise Gate Active	Description as above.
26h	DRC2 Quick Release Active	Description as above.

**Table 93 Dynamic Range Control (DRC) Status Indications**

**CONTROL WRITE SEQUENCER STATUS OUTPUT**

GP<sub>n</sub>\_FN = 15h.

The WM8281 Control Write Sequencer (WSEQ) can be used to execute a sequence of register write operations in response to a simple trigger event. See “Control Write Sequencer” for details of the Control Write Sequencer.

The WSEQ\_BUSY register bit (see Table 121) indicates the status of the Control Write Sequencer. When WSEQ\_BUSY=1, this indicates that one or more Write Sequence operations are in progress or are queued for sequential execution.

A logic signal from the Write Sequencer function may be output directly on a GPIO pin by setting the respective GPIO registers as described in “GPIO Control”. This logic signal is set high for a short pulse duration (approx. 100ns) whenever the Write Sequencer has completed all scheduled sequences, and there are no more pending operations.

The Write Sequencer status is an input to the Interrupt control circuit. An interrupt event is triggered on completion of a Control Sequence. The associated interrupt bit is latched once set; it can be polled at any time or used to control the IRQ signal. See “Interrupts” for more details of the Interrupt event handling.

---

**CONTROL INTERFACE ERROR STATUS OUTPUT**

GP<sub>n</sub>\_FN = 16h.

The WM8281 is controlled by writing to registers through a 2-wire (I2C) or 4-wire (SPI) serial control interface, as described in the "Control Interface" section. The SLIMbus interface also supports read/write access to the control registers, as described in the "SLIMbus Interface Control" section.

The WM8281 performs automatic checks to confirm if a register access is successful. Register access will be unsuccessful if an invalid register address is selected. Read/write access to the DSP firmware memory will be unsuccessful if the associated clocking is not enabled. If an invalid or unsuccessful register operation is attempted, this can be indicated using the GPIO and/or Interrupt functions.

The Control Interface Error signal may be output directly on a GPIO pin by setting the respective GPIO registers as described in "GPIO Control".

The Control Interface Error signal is an input to the Interrupt Controller circuit. An interrupt event is triggered on the rising edge of the Control Interface Error signal. The associated interrupt bit is latched once set; it can be polled at any time or used to control the IRQ signal. See "Interrupts" for more details of the Interrupt event handling.

**SYSTEM CLOCKS ENABLE STATUS OUTPUT**

GP<sub>n</sub>\_FN = 4Bh, 4Ch.

The WM8281 requires a system clock (SYSCLK) for its internal functions and to support the input/output signal paths. The WM8281 can support two independent clock domains, with selected functions referenced to the ASYNCCLK clock domain. See "Clocking and Sample Rates" for details of these clocks.

The SYSCLK\_ENA and ASYNC\_CLK\_ENA registers (see Table 101) control the SYSCLK and ASYNCCLK signals respectively. When '0' is written to these registers, the host processor must wait until the WM8281 has shut down the associated functions before issuing any other register write commands.

The SYSCLK Enable and ASYNCCLK Enable status may be output directly on a GPIO pin by setting the respective GPIO registers as described in "GPIO Control".

The SYSCLK Enable and ASYNCCLK Enable signals are inputs to the Interrupt Controller circuit. An interrupt event is triggered when the respective clock functions have been shut down. The associated interrupt bit is latched once set; it can be polled at any time or used to control the IRQ signal. See "Interrupts" for more details of the Interrupt event handling.

**CLOCKING ERROR STATUS OUTPUT**

GPn\_FN = 0Ah, 0Bh, 17h, 18h, 19h, 27h, 2Dh, 2Eh.

The WM8281 performs automatic checks to confirm that the system clocks are correctly configured according to the commanded functionality. An invalid configuration is one where there are insufficient clock cycles to support the digital processing required by the commanded signal paths.

An Underclocked Error condition is where there are insufficient clock cycles for the requested functionality, and increasing the SYSCLK or ASYNCCLK frequency (as applicable) should allow the selected configuration to be supported.

An Overclocked Error condition is where the requested functionality cannot be supported, as the clocking requirements of the requested configuration exceed the device limits.

The system clocks (SYSCLK and, where applicable, ASYNCCLK) must be enabled before any signal path is enabled. If an attempt is made to enable a signal path, and there are insufficient clock cycles to support that path, then the attempt will be unsuccessful. Note that any signal paths that are already active will not be affected under these circumstances.

The Clocking Error signals may be output directly on a GPIO pin by setting the respective GPIO registers as described in "GPIO Control". The Clocking Error conditions are described in Table 94.

The Clocking Error signals are inputs to the Interrupt Controller circuit. An interrupt event is triggered on the rising and falling edges of the Clocking Error signals. The associated interrupt bits are latched once set; they can be polled at any time or used to control the IRQ signal. See "Interrupts" for more details of the Interrupt event handling.

GPn_FN	DESCRIPTION	COMMENTS
0Ah	SYSCLK Underclocked	Indicates insufficient SYSCLK cycles for the commanded functionality.
0Bh	ASYNCCLK Underclocked	Indicates insufficient ASYNCCLK cycles for the commanded functionality.
17h	ADC Overflow Error	Indicates an overflow condition in the input signal paths.
18h	ADC CIC Error	Indicates a CIC error condition in the input signal paths.
19h	ADC FIFO Error	Indicates a FIFO error condition in the input signal paths.
27h	Mixer Dropped Sample Error	Indicates a dropped sample in the digital core mixer function.
2Dh	Underclocked Error	<p>Indicates insufficient SYSCLK or ASYNCCLK cycles for one or more of the selected signal paths or signal processing functions. Increasing the SYSCLK or ASYNCCLK frequency (as applicable) should allow the selected configuration to be supported.</p> <p>Status bits associated with specific sub-systems provide further de-bug capability.</p> <p>The INnx_ENA_STS bits in register R769 indicate the status of each of the input (analogue or digital microphone) signal paths.</p> <p>The OUTnx_ENA_STS bits in registers R1025 and R1030 indicate the status of each of the output (Headphone, Speaker or PDM) signal paths.</p> <p>The ASRCnx_ENA_STS bits in register R3809 indicate the status of each of the ASRC signal paths.</p> <p>The FX_STS field in register R3585 indicates the status of each of the Effects (EQ, DRC or LHPF) signal paths.</p> <p>The *MIX_STSn fields in registers R1600 to R3000 indicate the status of each of the Digital Core mixer signal paths.</p> <p>The ISRCn and AIFn functions are also inputs to the Underclocked Error status indication, but there are no specific _STS register bits associated with these.</p>
2Eh	Overclocked Error	Indicates that an unsupported device configuration has been attempted, as the clocking requirements of the requested configuration exceed the device limits.

**Table 94 Clocking Error Status Indications**

### GENERAL PURPOSE SWITCH

The WM8281 provides a General Purpose Switch, which can be used as a controllable analogue switch for external functions. The switch is implemented between the GPSWA and GPSWB pins. Note that this feature is entirely independent to the GPIO pins.

The General Purpose Switch is configured using SW1\_MODE. This register allows the switch to be disabled, enabled, or synchronised to the MICDET Clamp status, as described in Table 95.

The switch is a bi-directional analogue switch, offering flexibility in the potential circuit applications. Refer to the “Absolute Maximum Ratings” and “Electrical Characteristics” for further details.

The switch can be used in conjunction with the MICDET Clamp function, in order suppress pops and clicks associated with jack insertion and removal. An example circuit is shown in Figure 64, within the “External Accessory Detection” section. Note that the MICDET Clamp function must also be configured appropriately when using this method of pop suppression control.

REGISTER ADDRESS	BIT	LABEL	DEFAULT	DESCRIPTION
R3096 (0C18h) GP Switch 1	1:0	SW1_MODE [1:0]	00	General Purpose Switch control 00 = Disabled (open) 01 = Enabled (closed) 10 = Enabled when MICDET Clamp is active 11 = Enabled when MICDET Clamp is not active

**Table 95 General Purpose Switch control**

## INTERRUPTS

The Interrupt Controller has multiple inputs. These include the Jack Detect and GPIO input pins, DSP\_IRQn flags, headphone / accessory detection, FLL / ASRC Lock detection, and Clocking configuration error indications. (See Table 96, Table 97 and Table 98 for a full definition of the Interrupt Controller inputs.) Any combination of these inputs can be used to trigger an Interrupt Request (IRQ) event.

The Interrupt Controller supports two sets of interrupt registers. This allows two separate Interrupt Request (IRQ) outputs to be generated, and for each IRQ to report a different set of input or status conditions.

For each Interrupt Request (IRQ1 and IRQ2) output, there is an Interrupt register field associated with each of the interrupt inputs. These fields are asserted whenever a logic edge is detected on the respective input. Some inputs are triggered on rising edges only; some are triggered on both edges. Separate rising and falling interrupt registers are provided for the JD1 and GP5 signals. The Interrupt register fields for IRQ1 are described in Table 96. The Interrupt register fields for IRQ2 are described in Table 97. The Interrupt flags can be polled at any time, or else in response to the Interrupt Request (IRQ) output being signalled via the IRQ pin or a GPIO pin.

All of the Interrupts are edge-triggered, as noted above. Many of these are triggered on both the rising and falling edges and, therefore, the Interrupt registers cannot indicate which edge has been detected. The "Raw Status" fields described in Table 98 provide readback of the current value of the corresponding inputs to the Interrupt Controller. Note that the status of any GPIO inputs can be read using the GPN\_LVL registers, as described in Table 86.

The UNDERCLOCKED\_STS and OVERCLOCKED\_STS registers represent the logical 'OR' of status flags from multiple sub-systems. The status bits in registers R3364 to R3366 (see Table 98) provide readback of these lower-level signals. See "Clocking and Sample Rates" for a description of the Underclocked and Overclocked Error conditions.

Individual mask bits can enable or disable different functions from the Interrupt controller. The mask bits are described in Table 96 (for IRQ1) and Table 97 (for IRQ2). Note that a masked interrupt input will not assert the corresponding interrupt register field, and will not cause the associated Interrupt Request (IRQ) output to be asserted.

The Interrupt Request (IRQ) outputs represent the logical 'OR' of the associated interrupt registers. (IRQ1 is derived from the \_EINT1 registers; IRQ2 is derived from the \_EINT2 registers). The Interrupt register fields are latching fields and, once they are set, they are not reset until a '1' is written to the respective register bit(s). The Interrupt Request (IRQ) outputs are not reset until each of the associated interrupts has been reset.

A de-bounce circuit can be enabled on any GPIO input, to avoid false event triggers. This is enabled on each pin using the register bits described in Table 86. The GPIO de-bounce circuit uses the 32kHz clock, which must be enabled whenever the GPIO de-bounce function is required.

A de-bounce circuit is always enabled on the FLL status inputs; either the 32kHz clock, or the SYSCLK signal, must be enabled to trigger an Interrupt from the FLL status inputs. Note that the "Raw Status" fields (described in Table 98), are valid without clocking, and can be used to provide FLL status readback when system clocks are not available.

The IRQ outputs can be globally masked using the IM\_IRQ1 and IM\_IRQ2 register bits. When not masked, the IRQ status can be read from IRQ1\_STS and IRQ2\_STS for the respective IRQ outputs.

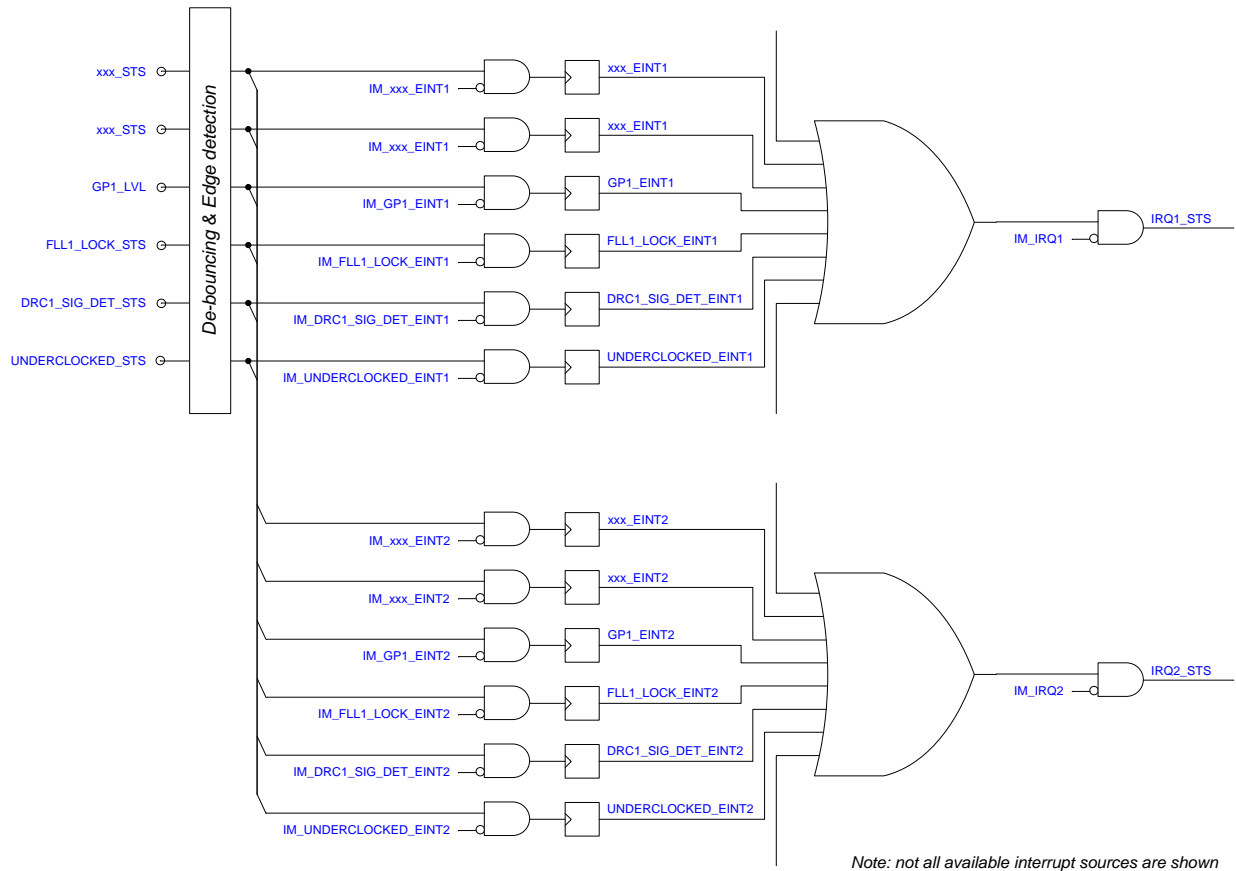
The IRQ1 output is provided externally on the IRQ pin. Under default conditions, this output is 'Active Low'. The polarity can be inverted using the IRQ\_POL register. The IRQ output can be either CMOS driven or Open Drain; this is selected using the IRQ\_OP\_CFG register. Note that the IRQ output is referenced to the DBVDD1 power domain.

The IRQ2 status can be used to trigger DSP firmware execution - see "DSP Firmware Control". This allows the DSP firmware execution to be linked to external events (eg. Jack detection, or GPIO input), or to any of the status conditions flagged by the Interrupt registers.

The IRQ1 and IRQ2 signals may be output on a GPIO pin - see "General Purpose Input / Output".

The WM8281 Interrupt Controller circuit is illustrated in Figure 68. (Note that not all interrupt inputs are shown.) The associated control fields are described in Table 96, Table 97 and Table 98.

Note that, under default register conditions, the 'Boot Done' status is the only un-masked interrupt source; a falling edge on the IRQ pin will indicate completion of the Boot Sequence.


**Figure 68 Interrupt Controller**

REGISTER ADDRESS	BIT	LABEL	DEFAULT	DESCRIPTION
R3087 (0C0Fh) IRQ CTRL 1	10	IRQ_POL	1	IRQ Output Polarity Select 0 = Non-inverted (Active High) 1 = Inverted (Active Low)
	9	IRQ_OP_CFG	0	IRQ Output Configuration 0 = CMOS 1 = Open Drain
R3328 (0D00h) Interrupt Status 1	3	GP4_EINT1	0	GPIO4 Interrupt (Rising and falling edge triggered) Note: Cleared when a '1' is written.
	2	GP3_EINT1	0	GPIO3 Interrupt (Rising and falling edge triggered) Note: Cleared when a '1' is written.
	1	GP2_EINT1	0	GPIO2 Interrupt (Rising and falling edge triggered) Note: Cleared when a '1' is written.
	0	GP1_EINT1	0	GPIO1 Interrupt (Rising and falling edge triggered) Note: Cleared when a '1' is written.
R3329 (0D01h) Interrupt Status 2	11	DSP4_RAM_RD Y_EINT1	0	DSP4 RAM Ready Interrupt (Rising edge triggered) Note: Cleared when a '1' is written.
	10	DSP3_RAM_RD Y_EINT1	0	DSP3 RAM Ready Interrupt (Rising edge triggered) Note: Cleared when a '1' is written.

REGISTER ADDRESS	BIT	LABEL	DEFAULT	DESCRIPTION
	9	DSP2_RAM_RDY_EINT1	0	DSP2 RAM Ready Interrupt (Rising edge triggered) Note: Cleared when a '1' is written.
	8	DSP1_RAM_RDY_EINT1	0	DSP1 RAM Ready Interrupt (Rising edge triggered) Note: Cleared when a '1' is written.
	7	DSP_IRQ8_EINT1	0	DSP IRQ8 Interrupt (Rising and falling edge triggered) Note: Cleared when a '1' is written.
	6	DSP_IRQ7_EINT1	0	DSP IRQ7 Interrupt (Rising and falling edge triggered) Note: Cleared when a '1' is written.
	5	DSP_IRQ6_EINT1	0	DSP IRQ6 Interrupt (Rising and falling edge triggered) Note: Cleared when a '1' is written.
	4	DSP_IRQ5_EINT1	0	DSP IRQ5 Interrupt (Rising and falling edge triggered) Note: Cleared when a '1' is written.
	3	DSP_IRQ4_EINT1	0	DSP IRQ4 Interrupt (Rising and falling edge triggered) Note: Cleared when a '1' is written.
	2	DSP_IRQ3_EINT1	0	DSP IRQ3 Interrupt (Rising and falling edge triggered) Note: Cleared when a '1' is written.
	1	DSP_IRQ2_EINT1	0	DSP IRQ2 Interrupt (Rising and falling edge triggered) Note: Cleared when a '1' is written.
	0	DSP_IRQ1_EINT1	0	DSP IRQ1 Interrupt (Rising and falling edge triggered) Note: Cleared when a '1' is written.
R3330 (0D02h) Interrupt Status 3	15	SPK_OVERHEAT_WARN_EINT1	0	Speaker Overheat Warning Interrupt (Rising and falling edge triggered) Note: Cleared when a '1' is written.
	14	SPK_OVERHEAT_EINT1	0	Speaker Overheat Interrupt (Rising and falling edge triggered) Note: Cleared when a '1' is written.
	13	HPDET_EINT1	0	Headphone Detect Interrupt (Rising edge triggered) Note: Cleared when a '1' is written.
	12	MICDET_EINT1	0	Microphone / Accessory Detect Interrupt (Detection event triggered) Note: Cleared when a '1' is written.
	11	WSEQ_DONE_EINT1	0	Write Sequencer Done Interrupt (Rising edge triggered) Note: Cleared when a '1' is written.
	10	DRC2_SIG_DET_EINT1	0	DRC2 Signal Detect Interrupt (Rising and falling edge triggered) Note: Cleared when a '1' is written.
	9	DRC1_SIG_DET_EINT1	0	DRC1 Signal Detect Interrupt (Rising and falling edge triggered) Note: Cleared when a '1' is written.
	8	ASRC2_LOCK_INTERRUPT1	0	ASRC2 Lock Interrupt (Rising and falling edge triggered) Note: Cleared when a '1' is written.



REGISTER ADDRESS	BIT	LABEL	DEFAULT	DESCRIPTION
	7	ASRC1_LOCK_EINT1	0	ASRC1 Lock Interrupt (Rising and falling edge triggered) Note: Cleared when a '1' is written.
	6	UNDERCLOCKED_EINT1	0	Underclocked Error Interrupt (Rising edge triggered) Note: Cleared when a '1' is written.
	5	OVERCLOCKED_EINT1	0	Overclocked Error Interrupt (Rising edge triggered) Note: Cleared when a '1' is written.
	3	FLL2_LOCK_EINT1	0	FLL2 Lock Interrupt (Rising and falling edge triggered) Note: Cleared when a '1' is written.
	2	FLL1_LOCK_EINT1	0	FLL1 Lock Interrupt (Rising and falling edge triggered) Note: Cleared when a '1' is written.
	1	CLKGEN_ERR_EINT1	0	SYSCLK Underclocked Error Interrupt (Rising edge triggered) Note: Cleared when a '1' is written.
	0	CLKGEN_ERR_ASYNC_EINT1	0	ASYNCCLK Underclocked Error Interrupt (Rising edge triggered) Note: Cleared when a '1' is written.
R3331 (0D03h) Interrupt Status 4	12	CTRLIF_ERR_EINT1	0	Control Interface Error Interrupt (Rising edge triggered) Note: Cleared when a '1' is written.
	11	MIXER_DROPPED_SAMPLE_EINT1		Mixer Dropped Sample Interrupt (Rising edge triggered) Note: Cleared when a '1' is written.
	10	ASYNC_CLK_ENA_LOW_EINT1	0	ASYNC_CLK_ENA Interrupt (Triggered on ASYNCCLK shut-down) Note: Cleared when a '1' is written.
	9	SYSCLK_ENA_LOW_EINT1	0	SYSCLK_ENA Interrupt (Triggered on SYSCLK shut-down) Note: Cleared when a '1' is written.
	8	ISRC1_CFG_ERR_EINT1	0	ISRC1 Configuration Error Interrupt (Rising edge triggered) Note: Cleared when a '1' is written.
	7	ISRC2_CFG_ERR_EINT1	0	ISRC2 Configuration Error Interrupt (Rising edge triggered) Note: Cleared when a '1' is written.
	6	ISRC3_CFG_ERR_EINT1	0	ISRC3 Configuration Error Interrupt (Rising edge triggered) Note: Cleared when a '1' is written.
	5	HP3R_DONE_EINT1	0	HPOUT3R Enable Interrupt (Rising edge triggered) Note: Cleared when a '1' is written.
	4	HP3L_DONE_EINT1	0	HPOUT3L Enable Interrupt (Rising edge triggered) Note: Cleared when a '1' is written.
	3	HP2R_DONE_EINT1	0	HPOUT2R Enable Interrupt (Rising edge triggered) Note: Cleared when a '1' is written.
2	HP2L_DONE_EINT1	0	HPOUT2L Enable Interrupt (Rising edge triggered) Note: Cleared when a '1' is written.	

REGISTER ADDRESS	BIT	LABEL	DEFAULT	DESCRIPTION
	1	HP1R_DONE_EI NT1	0	HPOUT1R Enable Interrupt (Rising edge triggered) Note: Cleared when a '1' is written.
	0	HP1L_DONE_EI NT1	0	HPOUT1L Enable Interrupt (Rising edge triggered) Note: Cleared when a '1' is written.
R3332 (0D04h) Interrupt Status 5	8	BOOT_DONE_EI NT1	0	Boot Done Interrupt (Rising edge triggered) Note: Cleared when a '1' is written.
	5	ADC_OVERFLOW_ W_EINT1	0	ADC Overflow Interrupt (Rising edge triggered) Note: Cleared when a '1' is written.
	4	ADC_FIFO_OU_ EINT1	0	ADC FIFO Interrupt (Rising edge triggered) Note: Cleared when a '1' is written.
	3	ASRC_CFG_ER R_EINT1	0	ASRC Configuration Error Interrupt (Rising edge triggered) Note: Cleared when a '1' is written.
	1	FLL2_CLOCK_O K_EINT1	0	FLL2 Clock OK Interrupt (Rising and falling edge triggered) Note: Cleared when a '1' is written.
	0	FLL1_CLOCK_O K_EINT1	0	FLL1 Clock OK Interrupt (Rising and falling edge triggered) Note: Cleared when a '1' is written.
R3333 (0D05h) Interrupt Status 6	15	DSP_SHARED_ WR_COLL_EI NT1	0	DSP Shared Memory Collision Interrupt (Rising edge triggered) Note: Cleared when a '1' is written.
	14	SPK_SHUTDOW N_EINT1	0	Speaker Shutdown Interrupt (Rising and falling edge triggered) Note: Cleared when a '1' is written.
	13	SPKOUTR_SHO RT_EINT1	0	SPKOUTR Short Circuit Interrupt (Rising and falling edge triggered) Note: Cleared when a '1' is written.
	12	SPKOUTL_SHO RT_EINT1	0	SPKOUTL Short Circuit Interrupt (Rising and falling edge triggered) Note: Cleared when a '1' is written.
	11	HP3R_SC_NEG_ EINT1	0	HPOUT3R Short Circuit Interrupt (Rising edge triggered) Note: Cleared when a '1' is written.
	10	HP3R_SC_POS_ EINT1	0	HPOUT3R Short Circuit Interrupt (Rising edge triggered) Note: Cleared when a '1' is written.
	9	HP3L_SC_NEG_ EINT1	0	HPOUT3L Short Circuit Interrupt (Rising edge triggered) Note: Cleared when a '1' is written.
	8	HP3L_SC_POS_ EINT1	0	HPOUT3L Short Circuit Interrupt (Rising edge triggered) Note: Cleared when a '1' is written.
	7	HP2R_SC_NEG_ EINT1	0	HPOUT2R Short Circuit Interrupt (Rising edge triggered) Note: Cleared when a '1' is written.
	6	HP2R_SC_POS_ EINT1	0	HPOUT2R Short Circuit Interrupt (Rising edge triggered) Note: Cleared when a '1' is written.

REGISTER ADDRESS	BIT	LABEL	DEFAULT	DESCRIPTION
	5	HP2L_SC_NEG_EINT1	0	HPOUT2L Short Circuit Interrupt (Rising edge triggered) Note: Cleared when a '1' is written.
	4	HP2L_SC_POS_EINT1	0	HPOUT2L Short Circuit Interrupt (Rising edge triggered) Note: Cleared when a '1' is written.
	3	HP1R_SC_NEG_EINT1	0	HPOUT1R Short Circuit Interrupt (Rising edge triggered) Note: Cleared when a '1' is written.
	2	HP1R_SC_POS_EINT1	0	HPOUT1R Short Circuit Interrupt (Rising edge triggered) Note: Cleared when a '1' is written.
	1	HP1L_SC_NEG_EINT1	0	HPOUT1L Short Circuit Interrupt (Rising edge triggered) Note: Cleared when a '1' is written.
	0	HP1L_SC_POS_EINT1	0	HPOUT1L Short Circuit Interrupt (Rising edge triggered) Note: Cleared when a '1' is written.
R3336 (0D08h) to R3341 (0D0Dh)		IM_*	(see note)	For each *_EINT1 interrupt register in R3328 to R3333, a corresponding mask bit (IM_*) is provided in R3336 to R3341. The mask bits are coded as: 0 = Do not mask interrupt 1 = Mask interrupt  Note : The BOOT_DONE_EINT1 interrupt is '0' (un-masked) by default; all other interrupts are '1' (masked) by default.
R3343 (0D0Fh) Interrupt Control	0	IM_IRQ1	0	IRQ1 Output Interrupt mask. 0 = Do not mask interrupt. 1 = Mask interrupt.
R3409 (0D51h) AOD IRQ1	7	MICD_CLAMP_F ALL_EINT1	0	MICDET Clamp Interrupt (Falling edge triggered) Note: Cleared when a '1' is written.
	6	MICD_CLAMP_R ISE_EINT1	0	MICDET Clamp Interrupt (Rising edge triggered) Note: Cleared when a '1' is written.
	5	GP5_FALL_EINT1	0	GP5 Interrupt (Falling edge triggered) Note: Cleared when a '1' is written.
	4	GP5_RISE_EINT1	0	GP5 Interrupt (Rising edge triggered) Note: Cleared when a '1' is written.
	3	JD1_FALL_EINT1	0	JD1 Interrupt (Falling edge triggered) Note: Cleared when a '1' is written.
	2	JD1_RISE_EINT1	0	JD1 Interrupt (Rising edge triggered) Note: Cleared when a '1' is written.
R3411 (0D53h) AOD IRQ Mask IRQ1		IM_*	1	For each *_EINT1 interrupt register in R3409, a corresponding mask bit (IM_*) is provided in R3411. The mask bits are coded as: 0 = Do not mask interrupt 1 = Mask interrupt

**Table 96 Interrupt 1 Control Registers**

REGISTER ADDRESS	BIT	LABEL	DEFAULT	DESCRIPTION
R3344 (0D10h) IRQ2 Status 1	3	GP4_EINT2	0	GPIO4 Interrupt (Rising and falling edge triggered) Note: Cleared when a '1' is written.
	2	GP3_EINT2	0	GPIO3 Interrupt (Rising and falling edge triggered) Note: Cleared when a '1' is written.
	1	GP2_EINT2	0	GPIO2 Interrupt (Rising and falling edge triggered) Note: Cleared when a '1' is written.
	0	GP1_EINT2	0	GPIO1 Interrupt (Rising and falling edge triggered) Note: Cleared when a '1' is written.
R3345 (0D11h) IRQ2 Status 2	11	DSP4_RAM_RD Y_EINT2	0	DSP4 RAM Ready Interrupt (Rising edge triggered) Note: Cleared when a '1' is written.
	10	DSP3_RAM_RD Y_EINT2	0	DSP3 RAM Ready Interrupt (Rising edge triggered) Note: Cleared when a '1' is written.
	9	DSP2_RAM_RD Y_EINT2	0	DSP2 RAM Ready Interrupt (Rising edge triggered) Note: Cleared when a '1' is written.
	8	DSP1_RAM_RD Y_EINT2	0	DSP1 RAM Ready Interrupt (Rising edge triggered) Note: Cleared when a '1' is written.
	7	DSP_IRQ8_EINT 2	0	DSP IRQ8 Interrupt (Rising and falling edge triggered) Note: Cleared when a '1' is written.
	6	DSP_IRQ7_EINT 2	0	DSP IRQ7 Interrupt (Rising and falling edge triggered) Note: Cleared when a '1' is written.
	5	DSP_IRQ6_EINT 2	0	DSP IRQ6 Interrupt (Rising and falling edge triggered) Note: Cleared when a '1' is written.
	4	DSP_IRQ5_EINT 2	0	DSP IRQ5 Interrupt (Rising and falling edge triggered) Note: Cleared when a '1' is written.
	3	DSP_IRQ4_EINT 2	0	DSP IRQ4 Interrupt (Rising and falling edge triggered) Note: Cleared when a '1' is written.
	2	DSP_IRQ3_EINT 2	0	DSP IRQ3 Interrupt (Rising and falling edge triggered) Note: Cleared when a '1' is written.
	1	DSP_IRQ2_EINT 2	0	DSP IRQ2 Interrupt (Rising and falling edge triggered) Note: Cleared when a '1' is written.
	0	DSP_IRQ1_EINT 2	0	DSP IRQ1 Interrupt (Rising and falling edge triggered) Note: Cleared when a '1' is written.
R3346 (0D12h) IRQ2 Status 3	15	SPK_OVERHEA T_WARN_EINT2	0	Speaker Overheat Warning Interrupt (Rising and falling edge triggered) Note: Cleared when a '1' is written.
	14	SPK_OVERHEA T_EINT2	0	Speaker Overheat Interrupt (Rising and falling edge triggered) Note: Cleared when a '1' is written.

REGISTER ADDRESS	BIT	LABEL	DEFAULT	DESCRIPTION
	13	HPDET_EINT2	0	Headphone Detect Interrupt (Rising edge triggered) Note: Cleared when a '1' is written.
	12	MICDET_EINT2	0	Microphone / Accessory Detect Interrupt (Detection event triggered) Note: Cleared when a '1' is written.
	11	WSEQ_DONE_EINT2	0	Write Sequencer Done Interrupt (Rising edge triggered) Note: Cleared when a '1' is written.
	10	DRC2_SIG_DET_EINT2	0	DRC2 Signal Detect Interrupt (Rising and falling edge triggered) Note: Cleared when a '1' is written.
	9	DRC1_SIG_DET_EINT2	0	DRC1 Signal Detect Interrupt (Rising and falling edge triggered) Note: Cleared when a '1' is written.
	8	ASRC2_LOCK_EINT2	0	ASRC2 Lock Interrupt (Rising and falling edge triggered) Note: Cleared when a '1' is written.
	7	ASRC1_LOCK_EINT2	0	ASRC1 Lock Interrupt (Rising and falling edge triggered) Note: Cleared when a '1' is written.
	6	UNDERCLOCKED_EINT2	0	Underclocked Error Interrupt (Rising edge triggered) Note: Cleared when a '1' is written.
	5	OVERCLOCKED_EINT2	0	Overclocked Error Interrupt (Rising edge triggered) Note: Cleared when a '1' is written.
	3	FLL2_LOCK_EINT2	0	FLL2 Lock Interrupt (Rising and falling edge triggered) Note: Cleared when a '1' is written.
	2	FLL1_LOCK_EINT2	0	FLL1 Lock Interrupt (Rising and falling edge triggered) Note: Cleared when a '1' is written.
	1	CLKGEN_ERR_EINT2	0	SYSCLK Underclocked Error Interrupt (Rising edge triggered) Note: Cleared when a '1' is written.
	0	CLKGEN_ERR_ASYNC_EINT2	0	ASYNCCLK Underclocked Error Interrupt (Rising edge triggered) Note: Cleared when a '1' is written.
R3347 (0D13h) IRQ2 Status 4	12	CTRLIF_ERR_EINT2	0	Control Interface Error Interrupt (Rising edge triggered) Note: Cleared when a '1' is written.
	11	MIXER_DROPPED_SAMPLE_EINT2		Mixer Dropped Sample Interrupt (Rising edge triggered) Note: Cleared when a '1' is written.
	10	ASYNC_CLK_ENA_LOW_EINT2	0	ASYNC_CLK_ENA Interrupt (Triggered on ASYNCCLK shut-down) Note: Cleared when a '1' is written.
	9	SYSCLK_ENA_LOW_EINT2	0	SYSCLK_ENA Interrupt (Triggered on SYSCLK shut-down) Note: Cleared when a '1' is written.
	8	ISRC1_CFG_ERR_EINT2	0	ISRC1 Configuration Error Interrupt (Rising edge triggered) Note: Cleared when a '1' is written.

REGISTER ADDRESS	BIT	LABEL	DEFAULT	DESCRIPTION
	7	ISRC2_CFG_ERR_EINT2	0	ISRC2 Configuration Error Interrupt (Rising edge triggered) Note: Cleared when a '1' is written.
	6	ISRC3_CFG_ERR_EINT2	0	ISRC3 Configuration Error Interrupt (Rising edge triggered) Note: Cleared when a '1' is written.
	5	HP3R_DONE_EVENT2	0	HPOUT3R Enable Interrupt (Rising edge triggered) Note: Cleared when a '1' is written.
	4	HP3L_DONE_EVENT2	0	HPOUT3L Enable Interrupt (Rising edge triggered) Note: Cleared when a '1' is written.
	3	HP2R_DONE_EVENT2	0	HPOUT2R Enable Interrupt (Rising edge triggered) Note: Cleared when a '1' is written.
	2	HP2L_DONE_EVENT2	0	HPOUT2L Enable Interrupt (Rising edge triggered) Note: Cleared when a '1' is written.
	1	HP1R_DONE_EVENT2	0	HPOUT1R Enable Interrupt (Rising edge triggered) Note: Cleared when a '1' is written.
	0	HP1L_DONE_EVENT2	0	HPOUT1L Enable Interrupt (Rising edge triggered) Note: Cleared when a '1' is written.
R3348 (0D14h) IRQ2 Status 5	8	BOOT_DONE_EVENT2	0	Boot Done Interrupt (Rising edge triggered) Note: Cleared when a '1' is written.
	5	ADC_OVERFLOW_EINT2	0	ADC Overflow Interrupt (Rising edge triggered) Note: Cleared when a '1' is written.
	4	ADC_FIFO_OVERFLOW_EINT2	0	ADC FIFO Interrupt (Rising edge triggered) Note: Cleared when a '1' is written.
	3	ASRC_CFG_ERR_EINT2	0	ASRC Configuration Error Interrupt (Rising edge triggered) Note: Cleared when a '1' is written.
	1	FLL2_CLOCK_OK_EINT2	0	FLL2 Clock OK Interrupt (Rising and falling edge triggered) Note: Cleared when a '1' is written.
	0	FLL1_CLOCK_OK_EINT2	0	FLL1 Clock OK Interrupt (Rising and falling edge triggered) Note: Cleared when a '1' is written.
R3349 (0D15h) IRQ2 Status 6	15	DSP_SHARED_MEMORY_COLLISION_EINT2	0	DSP Shared Memory Collision Interrupt (Rising edge triggered) Note: Cleared when a '1' is written.
	14	SPK_SHUTDOWN_EINT2	0	Speaker Shutdown Interrupt (Rising and falling edge triggered) Note: Cleared when a '1' is written.
	13	SPKOUTR_SHORT_CIRCUIT_EINT2	0	SPKOUTR Short Circuit Interrupt (Rising and falling edge triggered) Note: Cleared when a '1' is written.
	12	SPKOUTL_SHORT_CIRCUIT_EINT2	0	SPKOUTL Short Circuit Interrupt (Rising and falling edge triggered) Note: Cleared when a '1' is written.

REGISTER ADDRESS	BIT	LABEL	DEFAULT	DESCRIPTION
	11	HP3R_SC_NEG_EINT2	0	HPOUT3R Short Circuit Interrupt (Rising edge triggered) Note: Cleared when a '1' is written.
	10	HP3R_SC_POS_EINT2	0	HPOUT3R Short Circuit Interrupt (Rising edge triggered) Note: Cleared when a '1' is written.
	9	HP3L_SC_NEG_EINT2	0	HPOUT3L Short Circuit Interrupt (Rising edge triggered) Note: Cleared when a '1' is written.
	8	HP3L_SC_POS_EINT2	0	HPOUT3L Short Circuit Interrupt (Rising edge triggered) Note: Cleared when a '1' is written.
	7	HP2R_SC_NEG_EINT2	0	HPOUT2R Short Circuit Interrupt (Rising edge triggered) Note: Cleared when a '1' is written.
	6	HP2R_SC_POS_EINT2	0	HPOUT2R Short Circuit Interrupt (Rising edge triggered) Note: Cleared when a '1' is written.
	5	HP2L_SC_NEG_EINT2	0	HPOUT2L Short Circuit Interrupt (Rising edge triggered) Note: Cleared when a '1' is written.
	4	HP2L_SC_POS_EINT2	0	HPOUT2L Short Circuit Interrupt (Rising edge triggered) Note: Cleared when a '1' is written.
	3	HP1R_SC_NEG_EINT2	0	HPOUT1R Short Circuit Interrupt (Rising edge triggered) Note: Cleared when a '1' is written.
	2	HP1R_SC_POS_EINT2	0	HPOUT1R Short Circuit Interrupt (Rising edge triggered) Note: Cleared when a '1' is written.
	1	HP1L_SC_NEG_EINT2	0	HPOUT1L Short Circuit Interrupt (Rising edge triggered) Note: Cleared when a '1' is written.
	0	HP1L_SC_POS_EINT2	0	HPOUT1L Short Circuit Interrupt (Rising edge triggered) Note: Cleared when a '1' is written.
R3352 (0D18h) to R3357 (0D1Dh)		IM_*	(see note)	For each *_EINT2 interrupt register in R3344 to R3349, a corresponding mask bit (IM_*) is provided in R3352 to R3357. The mask bits are coded as: 0 = Do not mask interrupt 1 = Mask interrupt  Note : The BOOT_DONE_EINT2 interrupt is '0' (un-masked) by default; all other interrupts are '1' (masked) by default.
R3359 (0D1Fh) IRQ2 Control	0	IM_IRQ2	0	IRQ2 Output Interrupt mask. 0 = Do not mask interrupt. 1 = Mask interrupt.
R3410 (0D52h) AOD IRQ2	7	MICD_CLAMP_F ALL_EINT2	0	MICDET Clamp Interrupt (Falling edge triggered) Note: Cleared when a '1' is written.
	6	MICD_CLAMP_R ISE_EINT2	0	MICDET Clamp Interrupt (Rising edge triggered) Note: Cleared when a '1' is written.

REGISTER ADDRESS	BIT	LABEL	DEFAULT	DESCRIPTION
	5	GP5_FALL_EINT 2	0	GP5 Interrupt (Falling edge triggered) Note: Cleared when a '1' is written.
	4	GP5_RISE_EINT 2	0	GP5 Interrupt (Rising edge triggered) Note: Cleared when a '1' is written.
	3	JD1_FALL_EINT 2	0	JD1 Interrupt (Falling edge triggered) Note: Cleared when a '1' is written.
	2	JD1_RISE_EINT 2	0	JD1 Interrupt (Rising edge triggered) Note: Cleared when a '1' is written.
R3412 (0D54h) AOD IRQ Mask IRQ2		IM_*	1	For each *_EINT2 interrupt register in R3410, a corresponding mask bit (IM_*) is provided in R3412. The mask bits are coded as: 0 = Do not mask interrupt 1 = Mask interrupt

**Table 97 Interrupt 2 Control Registers**

REGISTER ADDRESS	BIT	LABEL	DEFAULT	DESCRIPTION
R3360 (0D20h) Interrupt Raw Status 1	11	DSP4_RAM_RD Y_STS	0	DSP4 RAM Status 0 = Not ready 1 = Ready
	10	DSP3_RAM_RD Y_STS	0	DSP3 RAM Status 0 = Not ready 1 = Ready
	9	DSP2_RAM_RD Y_STS	0	DSP2 RAM Status 0 = Not ready 1 = Ready
	8	DSP1_RAM_RD Y_STS	0	DSP1 RAM Status 0 = Not ready 1 = Ready
	7	DSP_IRQ8_STS	0	DSP IRQ8 Status 0 = Not asserted 1 = Asserted
	6	DSP_IRQ7_STS	0	DSP IRQ7 Status 0 = Not asserted 1 = Asserted
	5	DSP_IRQ6_STS	0	DSP IRQ6 Status 0 = Not asserted 1 = Asserted
	4	DSP_IRQ5_STS	0	DSP IRQ5 Status 0 = Not asserted 1 = Asserted
	3	DSP_IRQ4_STS	0	DSP IRQ4 Status 0 = Not asserted 1 = Asserted
	2	DSP_IRQ3_STS	0	DSP IRQ3 Status 0 = Not asserted 1 = Asserted
	1	DSP_IRQ2_STS	0	DSP IRQ2 Status 0 = Not asserted 1 = Asserted



REGISTER ADDRESS	BIT	LABEL	DEFAULT	DESCRIPTION
	0	DSP_IRQ1_STS	0	DSP IRQ1 Status 0 = Not asserted 1 = Asserted
R3361 (0D21h) Interrupt Raw Status 2	15	SPK_OVERHEAT_WARN_STS	0	Speaker Overheat Warning Status 0 = Normal 1 = Warning temperature exceeded
	14	SPK_OVERHEAT_STS	0	Speaker Overheat Status 0 = Normal 1 = Shutdown temperature exceeded
	11	WSEQ_DONE_STS	0	Write Sequencer Status 0 = Busy (sequence in progress) 1 = Idle (sequence completed)
	10	DRC2_SIG_DET_STS	0	DRC2 Signal Detect Status 0 = Normal 1 = Signal detected
	9	DRC1_SIG_DET_STS	0	DRC1 Signal Detect Status 0 = Normal 1 = Signal detected
	8	ASRC2_LOCK_STS	0	ASRC2 Lock Status 0 = Not locked 1 = Locked
	7	ASRC1_LOCK_STS	0	ASRC1 Lock Status 0 = Not locked 1 = Locked
	6	UNDERCLOCKED_STS	0	Underclocked Error Status 0 = Normal 1 = Underclocked Error
	5	OVERCLOCKED_STS	0	Overclocked Error Status 0 = Normal 1 = Overclocked Error
	3	FLL2_LOCK_STS	0	FLL2 Lock Status 0 = Not locked 1 = Locked
	2	FLL1_LOCK_STS	0	FLL1 Lock Status 0 = Not locked 1 = Locked
	1	CLKGEN_ERR_STS	0	SYSClk Underclocked Error Status 0 = Normal 1 = Underclocked Error
	0	CLKGEN_ERR_ASYNC_STS	0	ASYNCCLK Underclocked Error Status 0 = Normal 1 = Underclocked Error
R3362 (0D22h) Interrupt Raw Status 3	12	CTRLIF_ERR_STS	0	Control Interface Error Status 0 = Normal 1 = Control Interface Error
	11	MIXER_DROPPED_SAMPLE_STS		Mixer Dropped Sample Status 0 = Normal 1 = Dropped Sample Error
	10	ASYNC_CLK_ENA_LOW_STS	0	ASYNC_CLK_ENA Status 0 = ASYNC_CLK_ENA is enabled 1 = ASYNC_CLK_ENA is disabled When a '0' is written to ASYNCCLK_ENA, then no other control register writes should be attempted until ASYNC_CLK_ENA_LOW_STS=1.

REGISTER ADDRESS	BIT	LABEL	DEFAULT	DESCRIPTION
	9	SYSCLK_ENA_LOW_STS	0	SYSCLK_ENA Status 0 = SYSCLK_ENA is enabled 1 = SYSCLK_ENA is disabled When a '0' is written to SYSCLK_ENA, then no other control register writes should be attempted until SYSCLK_ENA_LOW_STS=1.
	8	ISRC1_CFG_ERR_STS	0	ISRC1 Configuration Error Interrupt 0 = Normal 1 = Configuration Error
	7	ISRC2_CFG_ERR_STS	0	ISRC2 Configuration Error Interrupt 0 = Normal 1 = Configuration Error
	6	ISRC3_CFG_ERR_STS	0	ISRC3 Configuration Error Interrupt 0 = Normal 1 = Configuration Error
	5	HP3R_DONE_STS	0	HPOUT3R Enable Status 0 = Busy (sequence in progress) 1 = Idle (sequence completed)
	4	HP3L_DONE_STS	0	HPOUT3L Enable Status 0 = Busy (sequence in progress) 1 = Idle (sequence completed)
	3	HP2R_DONE_STS	0	HPOUT2R Enable Status 0 = Busy (sequence in progress) 1 = Idle (sequence completed)
	2	HP2L_DONE_STS	0	HPOUT2L Enable Status 0 = Busy (sequence in progress) 1 = Idle (sequence completed)
	1	HP1R_DONE_STS	0	HPOUT1R Enable Status 0 = Busy (sequence in progress) 1 = Idle (sequence completed)
	0	HP1L_DONE_STS	0	HPOUT1L Enable Status 0 = Busy (sequence in progress) 1 = Idle (sequence completed)
R3363 (0D23h) Interrupt Raw Status 4	8	BOOT_DONE_STS	0	Boot Status 0 = Busy (boot sequence in progress) 1 = Idle (boot sequence completed) Control register writes should not be attempted until Boot Sequence has completed.
	5	ADC_OVERFLOW_STS	0	ADC Overflow Status 0 = Normal 1 = ADC Overflow
	4	ADC_FIFO_OVERFLOW_STS	0	ADC FIFO Status 0 = Normal 1 = ADC FIFO Error
	3	ASRC_CFG_ERR_STS	0	ASRC Configuration Error Interrupt 0 = Normal 1 = Configuration Error
	1	FLL2_CLOCK_OK_STS	0	FLL2 Clock OK Interrupt 0 = FLL2 Clock is not OK 1 = FLL2 Clock is OK
	0	FLL1_CLOCK_OK_STS	0	FLL1 Clock OK Interrupt 0 = FLL1 Clock is not OK 1 = FLL1 Clock is OK

REGISTER ADDRESS	BIT	LABEL	DEFAULT	DESCRIPTION
R3364 (0D24h) Interrupt Raw Status 5	13	PWM_OVERCLOCKED_STS	0	Indicates an Overclocked Error condition for each respective sub-system. The bits are coded as: 0 = Normal 1 = Overclocked The OVERCLOCKED_STS bit will be asserted whenever any of these register bits is asserted.
	12	FX_CORE_OVERCLOCKED_STS	0	
	10	DAC_SYS_OVERCLOCKED_STS	0	
	9	DAC_WARP_OVERCLOCKED_STS	0	
	8	ADC_OVERCLOCKED_STS	0	
	7	MIXER_OVERCLOCKED_STS	0	
	6	AIF3_ASYNC_OVERCLOCKED_STS	0	
	5	AIF2_ASYNC_OVERCLOCKED_STS	0	
	4	AIF1_ASYNC_OVERCLOCKED_STS	0	
	3	AIF3_SYNC_OVERCLOCKED_STS	0	
	2	AIF2_SYNC_OVERCLOCKED_STS	0	
	1	AIF1_SYNC_OVERCLOCKED_STS	0	
	0	PAD_CTRL_OVERCLOCKED_STS	0	
R3365 (0D25h) Interrupt Raw Status 6	15	SLIMBUS_SUBSYS_OVERCLOCKED_STS	0	Indicates an Overclocked Error condition for each respective sub-system. The bits are coded as: 0 = Normal 1 = Overclocked The OVERCLOCKED_STS bit will be asserted whenever any of these register bits is asserted.
	14	SLIMBUS_ASYNC_OVERCLOCKED_STS	0	
	13	SLIMBUS_SYNC_OVERCLOCKED_STS	0	
	12	ASRC_ASYNC_SUBSYS_OVERCLOCKED_STS	0	
	11	ASRC_ASYNC_WARP_OVERCLOCKED_STS	0	
	10	ASRC_SYNC_SUBSYS_OVERCLOCKED_STS	0	
	9	ASRC_SYNC_WARP_OVERCLOCKED_STS	0	
	8	DSP4_OVERCLOCKED_STS	0	

REGISTER ADDRESS	BIT	LABEL	DEFAULT	DESCRIPTION
	7	DSP3_OVERCLOCKED_STS	0	
	5	DSP2_OVERCLOCKED_STS	0	
	3	DSP1_OVERCLOCKED_STS	0	
	2	ISRC3_OVERCLOCKED_STS	0	
	1	ISRC2_OVERCLOCKED_STS	0	
	0	ISRC1_OVERCLOCKED_STS	0	
R3366 (0D26h) Interrupt Raw Status 7	10	AIF3_UNDERCLOCKED_STS	0	Indicates an Underclocked Error condition for each respective sub-system. The bits are coded as: 0 = Normal 1 = Overclocked The UNDERCLOCKED_STS bit will be asserted whenever any of these register bits is asserted.
	9	AIF2_UNDERCLOCKED_STS	0	
	8	AIF1_UNDERCLOCKED_STS	0	
	7	ISRC3_UNDERCLOCKED_STS	0	
	6	ISRC2_UNDERCLOCKED_STS	0	
	5	ISRC1_UNDERCLOCKED_STS	0	
	4	FX_UNDERCLOCKED_STS	0	
	3	ASRC_UNDERCLOCKED_STS	0	
	2	DAC_UNDERCLOCKED_STS	0	
	1	ADC_UNDERCLOCKED_STS	0	
	0	MIXER_UNDERCLOCKED_STS	0	
R3368 (0D28h) Interrupt Raw Status 8	14	SPK_SHUTDOWN_STS	0	Speaker Shutdown Status 0 = Normal 1 = Speaker Shutdown completed (due to Overheat Temperature or Short Circuit condition)
	13	SPKOUTR_SHORT_STS	0	SPKOUTR Short Circuit Status 0 = Normal 1 = Short Circuit detected
	12	SPKOUTL_SHORT_STS	0	SPKOUTL Short Circuit Status 0 = Normal 1 = Short Circuit detected
	11	HP3R_SC_NEG_STS	0	HPOUT3R Short Circuit Status 0 = Normal 1 = Short Circuit detected
	10	HP3R_SC_POS_STS	0	HPOUT3R Short Circuit Status 0 = Normal 1 = Short Circuit detected
	9	HP3L_SC_NEG_STS	0	HPOUT3L Short Circuit Status 0 = Normal 1 = Short Circuit detected
	8	HP3L_SC_POS_STS	0	HPOUT3L Short Circuit Status 0 = Normal 1 = Short Circuit detected

REGISTER ADDRESS	BIT	LABEL	DEFAULT	DESCRIPTION
	7	HP2R_SC_NEG_STS	0	HPOUT2R Short Circuit Status 0 = Normal 1 = Short Circuit detected
	6	HP2R_SC_POS_STS	0	HPOUT2R Short Circuit Status 0 = Normal 1 = Short Circuit detected
	5	HP2L_SC_NEG_STS	0	HPOUT2L Short Circuit Status 0 = Normal 1 = Short Circuit detected
	4	HP2L_SC_POS_STS	0	HPOUT2L Short Circuit Status 0 = Normal 1 = Short Circuit detected
	3	HP1R_SC_NEG_STS	0	HPOUT1R Short Circuit Status 0 = Normal 1 = Short Circuit detected
	2	HP1R_SC_POS_STS	0	HPOUT1R Short Circuit Status 0 = Normal 1 = Short Circuit detected
	1	HP1L_SC_NEG_STS	0	HPOUT1L Short Circuit Status 0 = Normal 1 = Short Circuit detected
	0	HP1L_SC_POS_STS	0	HPOUT1L Short Circuit Status 0 = Normal 1 = Short Circuit detected
R3392 (0D40h) Interrupt Pin Status	1	IRQ2_STS	0	IRQ2 Status IRQ2_STS is the logical 'OR' of all unmasked _EINT2 interrupts. 0 = Not asserted 1 = Asserted
	0	IRQ1_STS	0	IRQ1 Status IRQ1_STS is the logical 'OR' of all unmasked _EINT1 interrupts. 0 = Not asserted 1 = Asserted
R3413 (0D55h) AOD IRQ Raw Status	3	MICD_CLAMP_STS	0	MICDET Clamp status 0 = Clamp not active 1 = Clamp active
	2	GP5_STS	0	GP5 Status 0 = Not asserted 1 = Asserted
	0	JD1_STS	0	JACKDET input status 0 = Jack not detected 1 = Jack is detected (Assumes the JACKDET pin is pulled 'low' on Jack insertion.)

**Table 98 Interrupt Status**

## CLOCKING AND SAMPLE RATES

The WM8281 requires a clock reference for its internal functions and also for the input (ADC) paths, output (DAC) paths and digital audio interfaces. Under typical clocking configurations, all commonly-used audio sample rates can be derived directly from the external reference; for additional flexibility, the WM8281 incorporates two Frequency Locked Loop (FLL) circuits to perform frequency conversion and filtering.

External clock signals may be connected via MCLK1 and MCLK2. (These inputs are referenced to the DBVDD1 power domain.) In AIF Slave modes, the BCLK signals may be used as a reference for the system clocks. The SLIMbus interface can provide the clock reference, when used as the input to one of the FLLs. To avoid audible glitches, all clock configurations must be set up before enabling playback.

### SYSTEM CLOCKING

The WM8281 supports two independent clock domains, referenced to the SYSCLK and ASYNCCLK system clocks respectively.

Up to five different sample rates may be independently selected for specific audio interfaces and other input/output signal paths. Each selected sample rate must be synchronised either to SYSCLK or to ASYNCCLK, as described later.

The two system clocks are independent (ie. not synchronised). Stereo full-duplex sample rate conversion is supported, allowing asynchronous audio data to be mixed and to be routed between independent interfaces. See “Digital Core” for further details.

Each subsystem within the WM8281 digital core is clocked at a dynamically-controlled rate, limited by the SYSCLK (or ASYNCCLK) frequency, as applicable. For maximum signal mixing and processing capacity, it is recommended that the highest possible SYSCLK and ASYNCCLK frequencies are configured.

### SAMPLE RATE CONTROL

The WM8281 supports two independent clock domains, referenced to SYSCLK and ASYNCCLK respectively.

Different sample rates may be selected for each of the audio interfaces (AIF1, AIF2, AIF3, SLIMbus), and for the input (ADC) and output (DAC) paths. Each of these must be referenced either to SYSCLK or to ASYNCCLK. (Note that the SLIMbus interface supports multiple sample rates, selected independently for each input or output channel.)

The WM8281 can support a maximum of five different sample rates at any time. The supported sample rates range from 4kHz to 192kHz.

Up to three different sample rates can be selected using the SAMPLE\_RATE\_1, SAMPLE\_RATE\_2 and SAMPLE\_RATE\_3 registers. These must each be numerically related to each other and to the SYSCLK frequency (further details of these requirements are provided in Table 99 and the accompanying text).

The remaining two sample rates can be selected using the ASYNC\_SAMPLE\_RATE\_1 and ASYNC\_SAMPLE\_RATE\_2 registers. These sample rates must be numerically related to each other and to the ASYNCCLK frequency (further details of these requirements are provided in Table 100 and the accompanying text).

Each of the audio interfaces, input paths and output paths is associated with one of the sample rates selected by the SAMPLE\_RATE\_n or ASYNC\_SAMPLE\_RATE\_n registers.

Note that if any two interfaces are operating at the same sample rate, but are not synchronised, then one of these must be referenced to the ASYNCCLK domain, and the other to the SYSCLK domain.

Note that, when any of the SAMPLE\_RATE\_n or ASYNC\_SAMPLE\_RATE\_n registers is written to, the activation of the new setting is automatically synchronised by the WM8281 to ensure continuity of all active signal paths. The SAMPLE\_RATE\_n\_STS and ASYNC\_SAMPLE\_RATE\_n\_STS registers provide readback of the sample rate selections that have been implemented.

There are some restrictions to be observed regarding the sample rate control configuration, as noted below:

- The input (ADC / Digital Microphone) and output (DAC) signal paths must always be associated with the SYSCLK clocking domain.
- All external clock references (MCLK input or Slave mode AIF input) must be within 1% of the applicable register setting(s).
- The input (ADC / DMIC) sample rate is valid from 8kHz to 192kHz. If 768kHz DMIC clock rate is selected, then the supported sample rate is valid from 8kHz to 16kHz only.
- The output (DAC) sample rate is valid from 8kHz to 192kHz.
- The Mic Mute mixer sample rate is valid from 8kHz to 192kHz.
- The Effects (EQ, DRC, LHPF) sample rate is valid from 8kHz to 192kHz. When the DRC is enabled, the maximum sample rate for these functions is 96kHz.
- The Tone Generator sample rate is valid from 8kHz to 192kHz.
- The Haptic Signal Generator sample rate is valid from 8kHz to 192kHz.
- The Asynchronous Sample Rate Converter (ASRC) supports sample rates 8kHz to 48kHz. The associated SYSCLK and ASYNCLK sample rates must both be 8kHz to 48kHz.
- The Isochronous Sample Rate Converters (ISRCs) support sample rates 8kHz to 192kHz. For each ISRC, the higher sample rate must be an integer multiple of the lower rate.

#### AUTOMATIC SAMPLE RATE DETECTION

The WM8281 supports automatic sample rate detection on the digital audio interfaces (AIF1, AIF2 and AIF3). Note that this is only possible when the respective interface is operating in Slave mode (ie. when LRCLK and BCLK are inputs to the WM8281).

Automatic sample rate detection is enabled using the RATE\_EST\_ENA register bit. The LRCLK input pin selected for sample rate detection is set using the LRCLK\_SRC register.

Up to four audio sample rates can be configured for automatic detection; these sample rates are selected using the SAMPLE\_RATE\_DETECT\_n registers. Note that the function will only detect sample rates that match one of the SAMPLE\_RATE\_DETECT\_n registers.

If one of the selected audio sample rates is detected on the selected LRCLK input, then a Control Write Sequence will be triggered. A unique sequence of actions may be programmed for each of the detected sample rates. Note that the applicable control sequences must be programmed by the user for each detection outcome. See "Control Write Sequencer" for further details.

The TRIG\_ON\_STARTUP register controls whether the sample rate detection circuit responds to the initial detection of the applicable interface (ie. when the AIFn interface starts up).

When TRIG\_ON\_STARTUP=0, then the detection circuit will only respond (ie. trigger the Control Write Sequencer) to a change in the detected sample rate - the initial sample rate detection will be ignored. (Note that the 'initial sample rate detection' is the first detection of a sample rate that matches one of the SAMPLE\_RATE\_DETECT\_n registers.)

When TRIG\_ON\_STARTUP=1, then the detection circuit will trigger the Control Write Sequencer whenever a selected sample rate is detected, including when the AIF interface starts up, or when the sample rate detection is first enabled.

As described above, setting TRIG\_ON\_STARTUP=0 is designed to inhibit any response to the initial detection of a sample rate that matches one of the SAMPLE\_RATE\_DETECT\_n registers. Note that, if the LRCLK\_SRC setting is changed, or if the detection function is disabled and re-enabled, then a subsequent detection of a matching sample rate may trigger the Control Write Sequencer, regardless of the TRIG\_ON\_STARTUP setting.

There are some restrictions to be observed regarding the automatic sample rate detection, as noted below:

- The same sample rate must not be selected on more than one of the SAMPLE\_RATE\_DETECT\_n registers.
- Sample rates 192kHz and 176.4kHz must not be selected concurrently.
- Sample rates 96kHz and 88.2kHz must not be selected concurrently.

The control registers associated with the automatic sample rate detection function are described in Table 101.

### SYSCLK AND ASYNCCLK CONTROL

The SYSCLK and ASYNCCLK clocks may be provided directly from external inputs (MCLK, or slave mode BCLK inputs). Alternatively, the SYSCLK and ASYNCCLK clocks can be derived using the integrated FLL(s), with MCLK, BCLK, LRCLK or SLIMCLK as a reference.

The required SYSCLK frequency is dependent on the SAMPLE\_RATE\_n registers. Table 99 illustrates the valid SYSCLK frequencies for every supported sample rate.

The SYSCLK\_FREQ and SYSCLK\_FRAC registers are used to identify the applicable SYSCLK frequency. It is recommended that the highest possible SYSCLK frequency is selected.

The chosen SYSCLK frequency must be valid for all of the SAMPLE\_RATE\_n registers. It follows that all of the SAMPLE\_RATE\_n registers must select numerically-related values, ie. all from the same cell as represented in Table 99.

Sample Rate	SAMPLE_RATE_n	SYSCLK Frequency	SYSCLK_FREQ	SYSCLK_FRAC
12kHz	01h	6.144MHz, 12.288MHz, 24.576MHz, 49.152MHz, 73.728MHz, 98.304MHz, or 147.456MHz	000,	0
24kHz	02h		001,	
48kHz	03h		010,	
96kHz	04h		011,	
192kHz	05h		100,	
4kHz	10h		101,	
8kHz	11h		or	
16kHz	12h		110	
32kHz	13h			
11.025kHz	09h	5.6448MHz, 11.2896MHz, 22.5792MHz, 45.1584MHz, 67.7376MHz, 90.3168MHz, or 135.4752MHz	000,	1
22.05kHz	0Ah		001,	
44.1kHz	0Bh		010,	
88.2kHz	0Ch		011,	
176.4kHz	0Dh		100,	
			101,	
		or		
		110		
Note that each of the SAMPLE_RATE_n registers must select a sample rate value from the same group in the two lists above.				

**Table 99 SYSCLK Frequency Selection**

The required ASYNCCLK frequency is dependent on the ASYNC\_SAMPLE\_RATE\_n registers. Table 100 illustrates the valid ASYNCCLK frequencies for every supported sample rate.

The ASYNC\_CLK\_FREQ register is used to identify the applicable ASYNCCLK frequency. It is recommended that the highest possible ASYNCCLK frequency is selected.

Note that, if all the sample rates in the system are synchronised to SYSCLK, then the ASYNCCLK may not be required at all. In this case, the ASYNCCLK should be disabled (see Table 101), and the associated register values are not important.



Sample Rate	ASYNC_SAMPLE_RATE_n	ASYNCCLK Frequency	ASYNC_CLK_FREQ
12kHz	01h	6.144MHz, 12.288MHz, 24.576MHz, or 49.152MHz	000, 001, 010, or 011
24kHz	02h		
48kHz	03h		
96kHz	04h		
192kHz	05h		
4kHz	10h		
8kHz	11h		
16kHz	12h		
32kHz	13h		
11.025kHz	09h	5.6448MHz, 11.2896MHz, 22.5792MHz or 45.1584MHz	000, 001, 010, or 011
22.05kHz	0Ah		
44.1kHz	0Bh		
88.2kHz	0Ch		
176.4kHz	0Dh		
Note that each of the ASYNC_SAMPLE_RATE_n registers must select a sample rate value from the same group in the two lists above.			

**Table 100 ASYNCCLK Frequency Selection**

The WM8281 supports automatic clocking configuration. The programmable dividers associated with the ADCs, DACs and all DSP functions are configured automatically, with values determined from the SYSCLK\_FREQ, SAMPLE\_RATE\_n, ASYNC\_CLK\_FREQ and ASYNC\_SAMPLE\_RATE\_n fields.

Note that the digital audio interface (AIF) clocking rates must be configured separately.

The sample rates of each AIF, the input (ADC) paths, output (DAC) paths and DSP functions are selected as described in the respective sections. Stereo full-duplex sample rate conversion is supported in multiple configurations to allow digital audio to be routed between interfaces and for asynchronous audio data to be mixed. See “Digital Core” for further details.

The SYSCLK\_SRC register is used to select the SYSCLK source, as described in Table 101. The source may be MCLKn, AIFnBCLK or FLLn. If one of the Frequency Locked Loop (FLL) circuits is selected as the source, then the relevant FLL must be enabled and configured, as described later.

The SYSCLK\_FREQ and SYSCLK\_FRAC registers are set according to the frequency of the selected SYSCLK source.

The SYSCLK-referenced circuits within the digital core are clocked at a dynamically-controlled rate, limited by the SYSCLK frequency itself. For maximum signal mixing and processing capacity, it is recommended that the highest possible SYSCLK frequency is configured.

The SAMPLE\_RATE\_n registers are set according to the sample rate(s) that are required by one or more of the WM8281 audio interfaces. The WM8281 supports sample rates ranging from 4kHz to 192kHz.

The SYSCLK signal is enabled by the register bit SYSCLK\_ENA. The applicable clock source (MCLKn, AIFnBCLK or FLLn) must be enabled before setting SYSCLK\_ENA=1. This bit should be set to 0 when reconfiguring the clock sources (see below for additional requirements when setting SYSCLK\_ENA=0).

When disabling SYSCLK, note that all of the input, output or digital core functions associated with the SYSCLK clock domain must be disabled before setting SYSCLK\_ENA=0.

When ‘0’ is written to SYSCLK\_ENA, the host processor must wait until the WM8281 has shut down the associated functions before issuing any other register write commands. The SYSCLK Enable status can be polled via the SYSCLK\_ENA\_LOW\_STS bit (see Table 98), or else monitored using the Interrupt or GPIO functions.

The SYSCLK Enable status is an input to the Interrupt control circuit and can be used to trigger an Interrupt event - see “Interrupts”. The corresponding Interrupt event indicates that the WM8281 has shut down the SYSCLK functions and is ready to accept register write commands.

The SYSCLK Enable status can be output directly on a GPIO pin as an external indication of the SYSCLK status. See “General Purpose Input / Output” to configure a GPIO pin for this function.

The required control sequence for disabling SYSCLK is summarised below:

- Disable all SYSCLK-associated functions (inputs, outputs, digital core)
- Set SYSCLK\_ENA = 0
- Wait until SYSCLK\_ENA\_LOW = 1 (or wait for the corresponding IRQ/GPIO event)

The ASYNC\_CLK\_SRC register is used to select the ASYNCCLK source, as described in Table 101. The source may be MCLKn, AIFnBCLK or FLLn. If one of the Frequency Locked Loop (FLL) circuits is selected as the source, then the relevant FLL must be enabled and configured, as described later.

The ASYNC\_CLK\_FREQ register is set according to the frequency of the selected ASYNCCLK source.

The ASYNCCLK-referenced circuits within the digital core are clocked at a dynamically-controlled rate, limited by the ASYNCCLK frequency itself. For maximum signal mixing and processing capacity, it is recommended that the highest possible ASYNCCLK frequency is configured.

The ASYNC\_SAMPLE\_RATE\_n registers are set according to the sample rate(s) of any audio interface that is not synchronised to the SYSCLK clock domain.

The ASYNCCLK signal is enabled by the register bit ASYNC\_CLK\_ENA. The applicable clock source (MCLKn, AIFnBCLK or FLLn) must be enabled before setting ASYNC\_CLK\_ENA=1. This bit should be set to 0 when reconfiguring the clock sources (see below for additional requirements when setting ASYNC\_CLK\_ENA=0).

When disabling ASYNCCLK, note that all of the input, output or digital core functions associated with the ASYNCCLK clock domain must be disabled before setting ASYNC\_CLK\_ENA=0.

When '0' is written to ASYNC\_CLK\_ENA, the host processor must wait until the WM8281 has shut down the associated functions before issuing any other register write commands. The ASYNCCLK Enable status can be polled via the ASYNC\_CLK\_ENA\_LOW\_STS bit (see Table 98), or else monitored using the Interrupt or GPIO functions.

The ASYNCCLK Enable status is an input to the Interrupt control circuit and can be used to trigger an Interrupt event - see "Interrupts". The corresponding Interrupt event indicates that the WM8281 has shut down the ASYNCCLK functions and is ready to accept register write commands.

The ASYNCCLK Enable status can be output directly on a GPIO pin as an external indication of the ASYNCCLK status. See "General Purpose Input / Output" to configure a GPIO pin for this function.

The required control sequence for disabling ASYNCCLK is summarised below:

- Disable all ASYNCCLK-associated functions (inputs, outputs, digital core)
- Set ASYNCCLK\_ENA = 0
- Wait until ASYNCCLK\_ENA\_LOW = 1 (or wait for the corresponding IRQ/GPIO event)

The SYSCLK (and ASYNCCLK, when applicable) clocks must be configured and enabled before any audio path is enabled.

The WM8281 performs automatic checks to confirm that the SYSCLK and ASYNCCLK frequencies are high enough to support the commanded signal paths and processing functions. If an attempt is made to enable a signal path or processing function, and there are insufficient SYSCLK or ASYNCCLK cycles to support it, then the attempt will be unsuccessful. (Note that any signal paths that are already active will not be affected under these circumstances.)

An Underclocked Error condition is where there are insufficient clock cycles for the requested functionality, and increasing the SYSCLK or ASYNCCLK frequency (as applicable) should allow the selected configuration to be supported.

An Overclocked Error condition is where the requested functionality cannot be supported, as the clocking requirements of the requested configuration exceed the device limits.

The SYSCLK Underclocked condition, ASYNCCLK Underclocked condition, and other Clocking Error conditions can be monitored using the GPIO and/or Interrupt functions. See "General Purpose Input / Output" and "Interrupts" for further details.

---

**MISCELLANEOUS CLOCK CONTROLS**

The WM8281 requires a 32kHz clock for miscellaneous de-bounce functions. This can be generated automatically from SYSCLK, or may be input directly as MCLK1 or MCLK2. The 32kHz clock source is selected using the CLK\_32K\_SRC register. The 32kHz clock is enabled using the CLK\_32K\_ENA register.

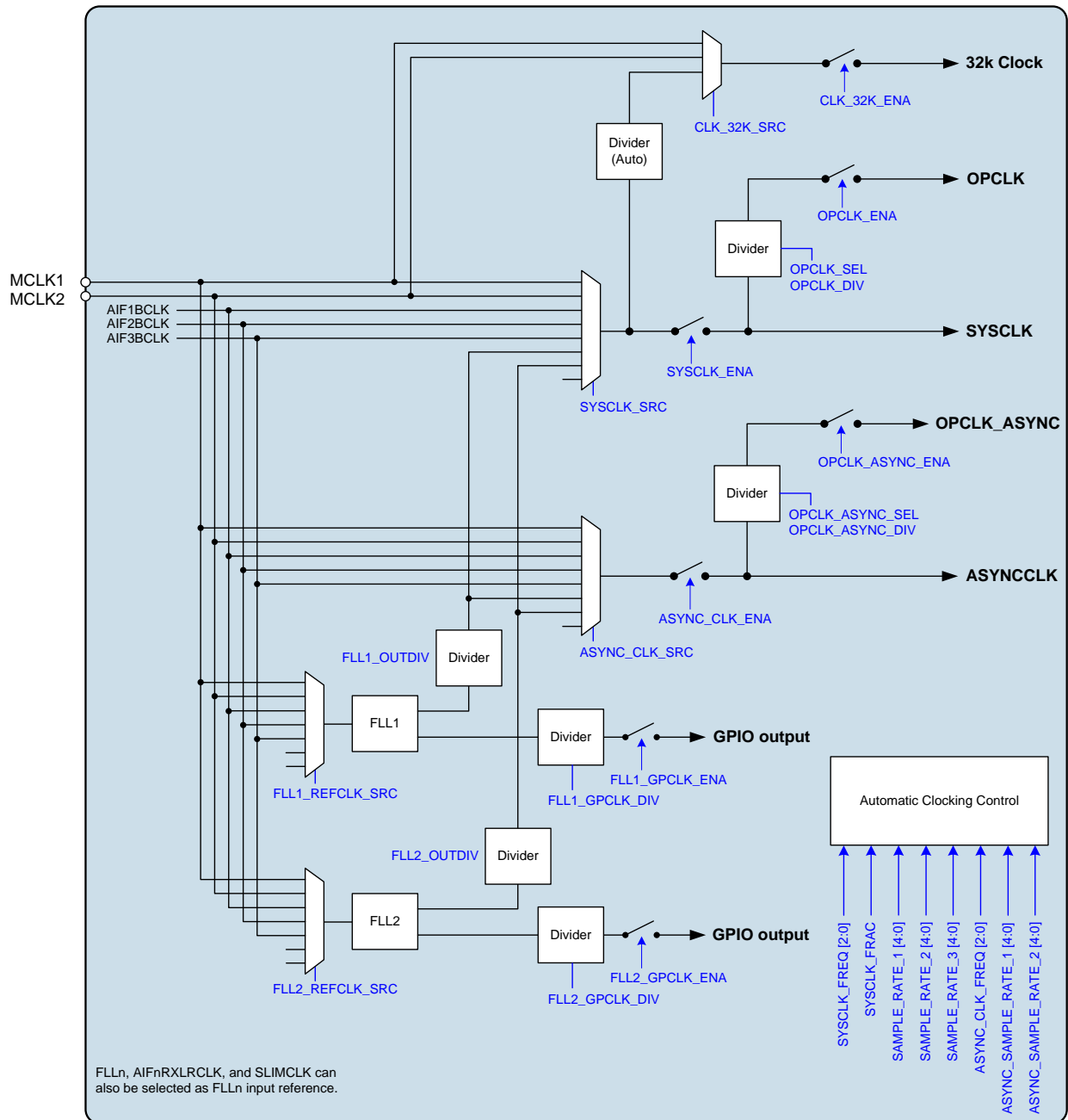
The 32kHz clock can be maintained in Sleep mode, if required for de-bouncing any of the configured Wake-Up signals (eg. JACKDET or GPIO5). Note that the 32kHz clock must be derived from the MCLK2 pin in this case (CLK\_32K\_SRC=01). See “Low Power Sleep Configuration” for more details of the Sleep mode.

A clock output (OPCLK) derived from SYSCLK can be output on a GPIO pin. See “General Purpose Input / Output” to configure a GPIO pin for this function.

A clock output (OPCLK\_ASYNC) derived from ASYNCCLK can be output on a GPIO pin. See “General Purpose Input / Output” to configure a GPIO pin for this function.

The WM8281 provides integrated pull-down resistors on the MCLK1 and MCLK2 pins. This provides a flexible capability for interfacing with other devices.

The clocking scheme for the WM8281 is illustrated in Figure 69.


**Figure 69 System Clocking**

The WM8281 clocking control registers are described in Table 101.

REGISTER ADDRESS	BIT	LABEL	DEFAULT	DESCRIPTION
R256 (0100h) Clock 32k 1	6	CLK_32K_ENA	0	32kHz Clock Enable 0 = Disabled 1 = Enabled
	1:0	CLK_32K_SRC [1:0]	10	32kHz Clock Source 00 = MCLK1 (direct) 01 = MCLK2 (direct) 10 = SYSCLK (automatically divided) 11 = Reserved
R257 (0101h) System Clock 1	15	SYSCLK_FRAC	0	SYSCLK Frequency 0 = SYSCLK is a multiple of 6.144MHz 1 = SYSCLK is a multiple of 5.6448MHz
	10:8	SYSCLK_FREQ [2:0]	101	SYSCLK Frequency 000 = 6.144MHz (5.6448MHz) 001 = 12.288MHz (11.2896MHz) 010 = 24.576MHz (22.5792MHz) 011 = 49.152MHz (45.1584MHz) 100 = 73.728MHz (67.7376MHz) 101 = 98.304MHz (90.3168MHz) 110 = 147.456MHz (135.4752MHz) 111 = Reserved The frequencies in brackets apply for 44.1kHz-related sample rates only (ie. SAMPLE_RATE_n = 01XXX).
	6	SYSCLK_ENA	0	SYSCLK Control 0 = Disabled 1 = Enabled SYSCLK should only be enabled after the applicable clock source has been configured and enabled. Set this bit to 0 when reconfiguring the clock sources.
	3:0	SYSCLK_SRC [3:0]	0100	SYSCLK Source 0000 = MCLK1 0001 = MCLK2 0100 = FLL1 0101 = FLL2 1000 = AIF1BCLK 1001 = AIF2BCLK 1010 = AIF3BCLK All other codes are Reserved

REGISTER ADDRESS	BIT	LABEL	DEFAULT	DESCRIPTION
R258 (0102h) Sample rate 1	4:0	SAMPLE_RATE_1 [4:0]	10001	Sample Rate 1 Select 00h = None 01h = 12kHz 02h = 24kHz 03h = 48kHz 04h = 96kHz 05h = 192kHz 09h = 11.025kHz 0Ah = 22.05kHz 0Bh = 44.1kHz 0Ch = 88.2kHz 0Dh = 176.4kHz 10h = 4kHz 11h = 8kHz 12h = 16kHz 13h = 32kHz All other codes are Reserved
R259 (0103h) Sample rate 2	4:0	SAMPLE_RATE_2 [4:0]	10001	Sample Rate 2 Select <i>Register coding is same as SAMPLE_RATE_1.</i>
R260 (0104h) Sample rate 3	4:0	SAMPLE_RATE_3 [4:0]	10001	Sample Rate 3 Select <i>Register coding is same as SAMPLE_RATE_1.</i>
R266 (010Ah) Sample rate 1 status	4:0	SAMPLE_RATE_1_STS [4:0]	00000	Sample Rate 1 Status (Read only) <i>Register coding is same as SAMPLE_RATE_1.</i>
R267 (010Bh) Sample rate 2 status	4:0	SAMPLE_RATE_2_STS [4:0]	00000	Sample Rate 2 Status (Read only) <i>Register coding is same as SAMPLE_RATE_1.</i>
R268 (010Ch) Sample rate 3 status	4:0	SAMPLE_RATE_3_STS [4:0]	00000	Sample Rate 3 Status (Read only) <i>Register coding is same as SAMPLE_RATE_1.</i>
R274 (0112h) Async clock 1	10:8	ASYNC_CLK_FREQ [2:0]	011	ASYNCCLK Frequency 000 = 6.144MHz (5.6448MHz) 001 = 12.288MHz (11.2896MHz) 010 = 24.576MHz (22.5792MHz) 011 = 49.152MHz (45.1584MHz) All other codes are Reserved The frequencies in brackets apply for 44.1kHz-related sample rates only (ie. ASYNC_SAMPLE_RATE_n = 01XXX).
	6	ASYNC_CLK_EN A	0	ASYNCCLK Control 0 = Disabled 1 = Enabled ASYNCCLK should only be enabled after the applicable clock source has been configured and enabled. Set this bit to 0 when reconfiguring the clock sources.

REGISTER ADDRESS	BIT	LABEL	DEFAULT	DESCRIPTION
	3:0	ASYNC_CLK_SRC [3:0]	0101	ASYNCCLK Source 0000 = MCLK1 0001 = MCLK2 0010 = Reserved 0011 = Reserved 0100 = FLL1 0101 = FLL2 0111 = Reserved 1000 = AIF1BCLK 1001 = AIF2BCLK 1010 = AIF3BCLK 1011 to 1111 = Reserved All other codes are Reserved
R275 (0113h) Async sample rate 1	4:0	ASYNC_SAMPL E_RATE_1 [4:0]	10001	ASYNC Sample Rate 1 Select 00h = None 01h = 12kHz 02h = 24kHz 03h = 48kHz 04h = 96kHz 05h = 192kHz 09h = 11.025kHz 0Ah = 22.05kHz 0Bh = 44.1kHz 0Ch = 88.2kHz 0Dh = 176.4kHz 10h = 4kHz 11h = 8kHz 12h = 16kHz 13h = 32kHz All other codes are Reserved
R276 (0114h) Async sample rate 2	4:0	ASYNC_SAMPL E_RATE_2 [4:0]	10001	ASYNC Sample Rate 2 Select <i>Register coding is same as ASYNC_SAMPLE_RATE_1.</i>
R283 (011Bh) Async sample rate 1 status	4:0	ASYNC_SAMPL E_RATE_1_STS [4:0]	00000	ASYNC Sample Rate 1 Status (Read only) <i>Register coding is same as ASYNC_SAMPLE_RATE_1.</i>
R284 (011Ch) Async sample rate 2 status	4:0	ASYNC_SAMPL E_RATE_2_STS [4:0]	00000	ASYNC Sample Rate 2 Status (Read only) <i>Register coding is same as ASYNC_SAMPLE_RATE_1.</i>
R329 (0149h) Output system clock	15	OPCLK_ENA	0	OPCLK Enable 0 = Disabled 1 = Enabled
	7:3	OPCLK_DIV [4:0]	00h	OPCLK Divider 00h = Divide by 1 01h = Divide by 1 02h = Divide by 2 03h = Divide by 3 ... 1Fh = Divide by 31

REGISTER ADDRESS	BIT	LABEL	DEFAULT	DESCRIPTION
	2:0	OPCLK_SEL [2:0]	000	OPCLK Source Frequency 000 = 6.144MHz (5.6448MHz) 001 = 12.288MHz (11.2896MHz) 010 = 24.576MHz (22.5792MHz) 011 = 49.152MHz (45.1584MHz) All other codes are Reserved The frequencies in brackets apply for 44.1kHz-related SYCLK rates only (ie. SAMPLE_RATE_n = 01XXX). The OPCLK Source Frequency must be less than or equal to the SYCLK frequency.
R330 (014Ah) Output async clock	15	OPCLK_ASYNC_ENA	0	OPCLK_ASYNC Enable 0 = Disabled 1 = Enabled
	7:3	OPCLK_ASYNC_DIV [4:0]	00h	OPCLK_ASYNC Divider 00h = Divide by 1 01h = Divide by 1 02h = Divide by 2 03h = Divide by 3 ... 1Fh = Divide by 31
	2:0	OPCLK_ASYNC_SEL [2:0]	000	OPCLK_ASYNC Source Frequency 000 = 6.144MHz (5.6448MHz) 001 = 12.288MHz (11.2896MHz) 010 = 24.576MHz (22.5792MHz) 011 = 49.152MHz (45.1584MHz) All other codes are Reserved The frequencies in brackets apply for 44.1kHz-related ASYNCCLK rates only (ie. ASYNC_SAMPLE_RATE_n = 01XXX). The OPCLK_ASYNC Source Frequency must be less than or equal to the ASYNCCLK frequency.
R338 (0152h) Rate Estimator 1	4	TRIG_ON_STARTUP	0	Automatic Sample Rate Detection Start-Up select 0 = Do not trigger Write Sequence on initial detection 1 = Always trigger the Write Sequencer on sample rate detection
	3:1	LRCLK_SRC [2:0]	000	Automatic Sample Rate Detection source 000 = AIF1RXLCLK 001 = AIF1TXLRCLK 010 = AIF2RXLCLK 011 = AIF2TXLRCLK 100 = AIF3RXLCLK 101 = AIF3TXLRCLK 110 = Reserved 111 = Reserved
	0	RATE_EST_ENA	0	Automatic Sample Rate Detection control 0 = Disabled 1 = Enabled
R339 (0153h) Rate Estimator 2	4:0	SAMPLE_RATE_DETECT_A [4:0]	00h	Automatic Detection Sample Rate A (Up to four different sample rates can be configured for automatic detection.) <i>Register coding is same as SAMPLE_RATE_n.</i>



REGISTER ADDRESS	BIT	LABEL	DEFAULT	DESCRIPTION
R340 (0154h) Rate Estimator 3	4:0	SAMPLE_RATE_DETECT_B [4:0]	00h	Automatic Detection Sample Rate B (Up to four different sample rates can be configured for automatic detection.) <i>Register coding is same as SAMPLE_RATE_n.</i>
R341 (0155h) Rate Estimator 4	4:0	SAMPLE_RATE_DETECT_C [4:0]	00h	Automatic Detection Sample Rate C (Up to four different sample rates can be configured for automatic detection.) <i>Register coding is same as SAMPLE_RATE_n.</i>
R342 (0156h) Rate Estimator 5	4:0	SAMPLE_RATE_DETECT_D [4:0]	00h	Automatic Detection Sample Rate D (Up to four different sample rates can be configured for automatic detection.) <i>Register coding is same as SAMPLE_RATE_n.</i>
R3104 (0C20h) Misc Pad Ctrl 1	13	MCLK2_PD	0	MCLK2 Pull-Down Control 0 = Disabled 1 = Enabled
R3105 (0C21h) Misc Pad Ctrl 2	12	MCLK1_PD	0	MCLK1 Pull-Down Control 0 = Disabled 1 = Enabled

**Table 101 Clocking Control**

In AIF Slave modes, it is important to ensure the applicable clock domain (SYSCLK or ASYNCCLK) is synchronised with the associated external LRCLK. This can be achieved by selecting an MCLK input that is derived from the same reference as the LRCLK, or can be achieved by selecting the external BCLK or LRCLK signal as a reference input to one of the FLLs, as a source for SYSCLK or ASYNCCLK.

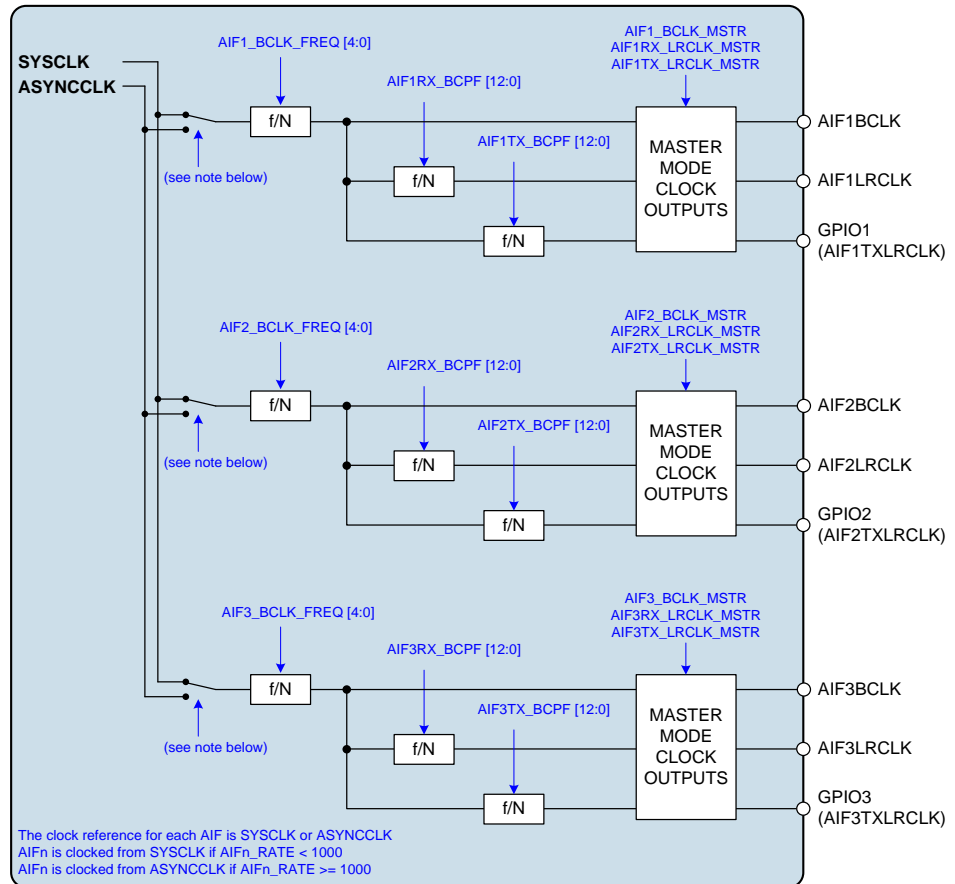
If the AIF clock domain is not synchronised with the LRCLK, then clicks arising from dropped or repeated audio samples will occur, due to the inherent tolerances of multiple, asynchronous, system clocks. See “Applications Information” for further details on valid clocking configurations.

## BCLK AND LRCLK CONTROL

The digital audio interfaces (AIF1, AIF2 and AIF3) use BCLK and LRCLK signals for synchronisation. In master mode, these are output signals, generated by the WM8281. In slave mode, these are input signals to the WM8281. It is also possible to support mixed master/slave operation.

The BCLK and LRCLK signals are controlled as illustrated in Figure 70. See the “Digital Audio Interface Control” section for further details of the relevant control registers.

Note that the BCLK and LRCLK signals are synchronised to SYSCLK or ASYNCLK, depending upon the applicable clocking domain for the respective interface. See “Digital Core” for further details.



**Figure 70 BCLK and LRCLK Control**

## CONTROL INTERFACE CLOCKING

Register map access is possible with or without a system clock. Clocking is provided from SYSCLK, when available; the SYSCLK\_SRC register selects the applicable SYSCLK source.

See “Control Interface” for further details of control register access.

## FREQUENCY LOCKED LOOP (FLL)

Two integrated FLLs are provided to support the clocking requirements of the WM8281. These can be enabled and configured independently according to the available reference clocks and the application requirements. The reference clock may be a high frequency (eg. 12.288MHz) or low frequency (eg. 32.768kHz).

The FLL is tolerant of jitter and may be used to generate a stable output clock from a less stable input reference. The FLL characteristics are summarised in “Electrical Characteristics”. Note that the FLL can be used to generate a free-running clock in the absence of an external reference source. This is described in the “Free-Running FLL Mode” section below. Configurable spread-spectrum modulation can be applied to the FLL outputs, to control EMI effects.

Each of the FLLs comprises two sub-systems - the ‘main’ loop and the ‘synchroniser’ loop; these can be used together to maintain best frequency accuracy and noise (jitter) performance across multiple use-cases. The two-loop design enables the FLL to synchronise effectively to an input clock that may be intermittent or noisy, whilst also achieving the performance benefits of a stable clock reference that may be asynchronous to the audio data.

The main loop takes a constant and stable clock reference as its input. For best performance, a high frequency (eg. 12.288MHz) reference is recommended. The main FLL loop will free-run without any clock reference if the input signal is removed; it can also be configured to initiate an output in the absence of any reference signal.

The synchroniser loop takes a separate clock reference as its input. The synchroniser input may be intermittent (eg. during voice calls only). The FLL uses the synchroniser input, when available, as the frequency reference. To achieve the designed performance advantage, the synchroniser input must be synchronous with the audio data.

Note that, if only a single clock input reference is used, this must be configured as the main FLL input reference. The synchroniser should be disabled in this case.

The synchroniser loop should only be used when the main loop clock reference is present. If the input reference to the main FLL is intermittent, or may be interrupted unexpectedly, then the synchroniser should be disabled.

The FLL is enabled using the FLL<sub>n</sub>\_ENA register bit (where  $n = 1$  or  $2$  for the corresponding FLL). The FLL Synchroniser is enabled using the FLL<sub>n</sub>\_SYNC\_ENA register bit.

Note that the other FLL registers should be configured before enabling the FLL; the FLL<sub>n</sub>\_ENA bit should be set as the final step of the FLL<sub>n</sub> enable sequence.

The FLL\_SYNC\_ENA bit should not be changed if FLL<sub>n</sub>\_ENA = 1; the FLL<sub>n</sub>\_ENA bit should be cleared before changing FLL<sub>n</sub>\_SYNC\_ENA.

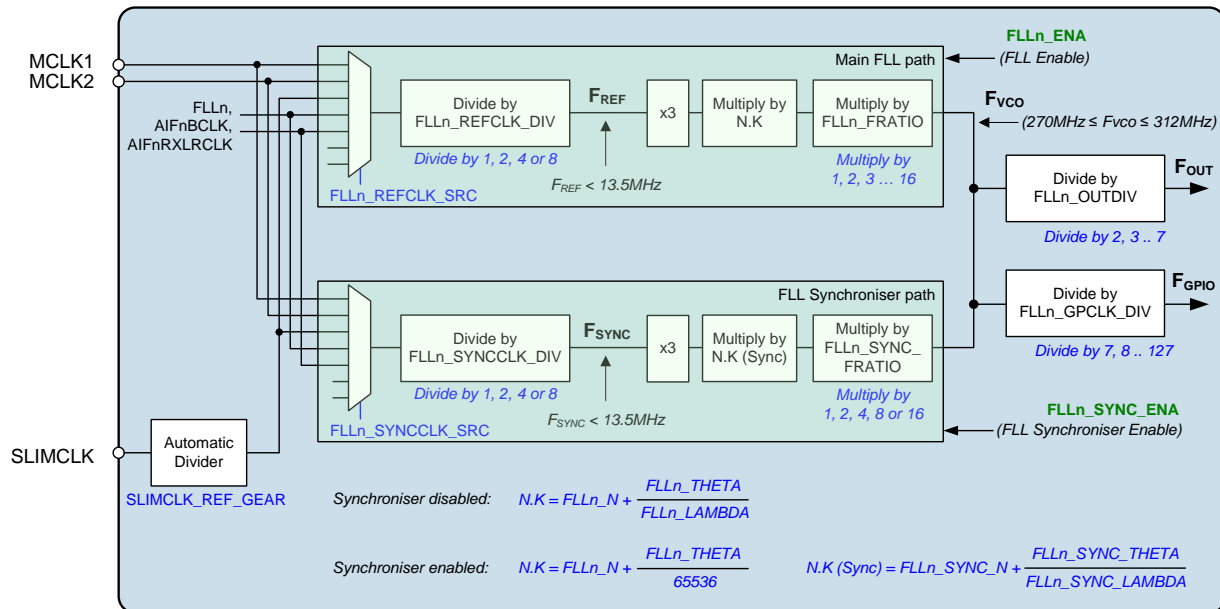
The FLL supports configurable free-running operation, using the FLL<sub>n</sub>\_FREERUN register bits described in the next section. Note that, once the FLL output has been established, the FLL will always free-run when the input reference clock is stopped, regardless of the FLL<sub>n</sub>\_FREERUN bits.

To disable the FLL while the input reference clock has stopped, the respective FLL<sub>n</sub>\_FREERUN bit must be set to ‘1’, before setting the FLL<sub>n</sub>\_ENA bit to ‘0’.

When changing any of the FLL configuration fields, it is recommended that the digital circuit be disabled via FLL<sub>n</sub>\_ENA and then re-enabled after the other register settings have been updated. If the FLL configuration is changed while the FLL is enabled, the respective FLL<sub>n</sub>\_FREERUN bit should be set before updating any other FLL fields. A minimum delay of 32µs should be allowed between setting FLL<sub>n</sub>\_FREERUN and writing to the required FLL register fields. The FLL<sub>n</sub>\_FREERUN bit should remain set until after the FLL has been reconfigured.

Note that, if the FLL<sub>n</sub>\_N or FLL<sub>n</sub>\_THETA fields are changed while the FLL is enabled, the FLL<sub>n</sub>\_CTRL\_UPD bit must also be written, as described below. As a general rule, however, it is recommended to configure the FLL (and FLL Synchroniser, if applicable), before setting the corresponding \_ENA register bit(s).

The FLL configuration requirements are illustrated in Figure 71.



**Figure 71 FLL Configuration**

The procedure for configuring the FLL is described below. Note that the configuration of the main FLL path and the FLL Synchroniser path are very similar. One or both paths must be configured, depending on the application requirements:

- If a single clock input reference is used, then only the main FLL path should be used.
- If the input reference to the main FLL is intermittent, or may be interrupted unexpectedly, then only the main FLL path should be used.
- If two clock input references are used, then the constant or low-noise clock is configured on the main FLL path, and the high-accuracy clock is configured on the FLL synchroniser path. Note that the synchroniser input must be synchronous with the audio data.

The following description is applicable to FLL1 and FLL2. The associated register control fields are described in Table 106 and Table 107 respectively.

The main input reference is selected using FLLn\_REFCLK\_SRC. The synchroniser input reference is selected using FLLn\_SYNCCLK\_SRC. The available options in each case comprise MCLK1, MCLK2, SLIMCLK, AIFnBCLK, AIFnRXLCLK, or the output from another FLL.

The SLIMCLK reference is controlled by an adaptive divider on the external SLIMCLK input. The divider automatically adapts to the SLIMbus Clock Gear, to provide a constant reference frequency for the FLL. See "SLIMbus Interface Control" for details.

The FLLn\_REFCLK\_DIV field controls a programmable divider on the main input reference. The FLLn\_SYNCCLK\_DIV field controls a programmable divider on the synchroniser input reference. Each input can be divided by 1, 2, 4 or 8. These registers should be set to bring each reference down to 13.5MHz or below. For best performance, it is recommended that the highest possible frequency - within the 13.5MHz limit - should be selected. (Note that additional guidelines also apply, as described below.)

The FLL output frequency, relative to the main input reference  $F_{REF}$ , is directly determined from FLLn\_FRATIO, FLLn\_OUTDIV and the real number represented by N.K.

The integer value, N, is held in the FLLn\_N register field. The fractional portion, K, is determined by the FLLn\_THETA and FLLn\_LAMBDA fields.

The FLL output frequency is generated according to the following equation:

$$F_{OUT} = (F_{VCO} / FLLn\_OUTDIV)$$

The FLL operating frequency,  $F_{VCO}$  is set according to the following equation:

$$F_{VCO} = (F_{REF} \times 3 \times N.K \times FLLn\_FRATIO)$$

$F_{REF}$  is the input frequency, as determined by  $FLLn\_REFCLK\_DIV$ .

When the FLL output is selected as the SYSCLK or ASYNCLK source, then  $F_{VCO}$  must be exactly 294.912MHz (for 48kHz-related sample rates) or 270.9504MHz (for 44.1kHz-related sample rates).

Note that the output frequencies that do not lie on or between the frequencies quoted above cannot be guaranteed across the full range of device operating conditions.

In order to follow the above requirements for  $F_{VCO}$ , the value of  $FLLn\_OUTDIV$  should be selected according to the desired output  $F_{OUT}$ . The divider,  $FLLn\_OUTDIV$ , must be set so that  $F_{VCO}$  is in the range 270MHz to 295MHz. The available divisions are integers from 2 to 7. Some typical settings of  $FLLn\_OUTDIV$  are noted in Table 102.

OUTPUT FREQUENCY $F_{OUT}$	$FLLn\_OUTDIV$
45 MHz to 52 MHz	110 (divide by 6)
67.5 MHz to 78 MHz	100 (divide by 4)
90 MHz to 104 MHz	011 (divide by 3)
135 MHz to 150 MHz	010 (divide by 2)

**Table 102 Selection of  $FLLn\_OUTDIV$**

The  $FLLn\_FRATIO$  field selects the frequency division ratio of the FLL input. The  $FLLn\_GAIN$  field is used to optimise the FLL, according to the input frequency. As a general guide, these fields should be selected as described in Table 103. (Note that additional guidelines also apply, as described below.)

REFERENCE FREQUENCY $F_{REF}$	$FLLn\_FRATIO$	$FLLn\_GAIN$
1MHz - 13.5MHz	0h (divide by 1)	4h (16x gain)
256kHz - 1MHz	1h (divide by 2)	2h (4x gain)
128kHz - 256kHz	3h (divide by 4)	0h (1x gain)
64kHz - 128kHz	7h (divide by 8)	0h (1x gain)
Less than 64kHz	Fh (divide by 16)	0h (1x gain)

**Table 103 Selection of  $FLLn\_FRATIO$  and  $FLLn\_GAIN$**

In order to determine the remaining FLL parameters, the FLL operating frequency,  $F_{VCO}$ , must be calculated, as given by the following equation:

$$F_{VCO} = (F_{OUT} \times FLLn\_OUTDIV)$$

The value of N.K can then be determined as follows:

$$N.K = F_{VCO} / (FLLn\_FRATIO \times 3 \times F_{REF})$$

Note that, in the above equations:

$FLLn\_OUTDIV$  is the  $F_{OUT}$  clock ratio.

$F_{REF}$  is the input frequency, after division by  $FLLn\_REFCLK\_DIV$ , where applicable.

$FLLn\_FRATIO$  is the  $F_{VCO}$  clock ratio (1, 2, 3 ... 16).

If the above equations produce an integer value for N.K, then the value of FLL<sub>n</sub>\_FRATIO should be adjusted to a different, odd-number division (eg. divide by 3), and the value of N.K re-calculated. A non-integer value of N.K is recommended for best performance of the FLL. (If possible, the FLL<sub>n</sub>\_FRATIO value should be decreased to the nearest alternative odd-number division. If a suitable lower value does not exist, FLL<sub>n</sub>\_FRATIO should be increased to the nearest odd-number division instead.)

After the value of FLL<sub>n</sub>\_FRATIO has been determined, the input frequency, F<sub>REF</sub>, must be compared with the maximum frequency limit noted in Table 104. If the input frequency (after division by FLL<sub>n</sub>\_REFCLK\_DIV) is higher than the applicable limit, then the FLL<sub>n</sub>\_REFCLK\_DIV division ratio should be increased, and the value of N.K re-calculated. (Note that the same value of FLL<sub>n</sub>\_FRATIO as already calculated should be used, when deriving the new value of N.K.)

FLL <sub>n</sub> _FRATIO	REFERENCE FREQUENCY F <sub>REF</sub> - MAXIMUM VALUE
0h (divide by 1)	13.5 MHz
1h (divide by 2)	6.144 MHz
2h (divide by 3)	
3h (divide by 4)	
4h (divide by 5)	3.072 MHz
5h (divide by 6)	
6h (divide by 7)	
7h (divide by 8)	1.536 MHz
8h (divide by 9)	
9h (divide by 10)	
Ah (divide by 11)	
Bh (divide by 12)	
Ch (divide by 13)	
Dh (divide by 14)	
Eh (divide by 15)	
Fh (divide by 16)	768 kHz

**Table 104 Maximum FLL input frequency (function of FLL<sub>n</sub>\_FRATIO)**

The value of N is held in the FLL<sub>n</sub>\_N register field.

The value of K is determined by the FLL<sub>n</sub>\_THETA and FLL<sub>n</sub>\_LAMBDA fields, as described later.

The FLL<sub>n</sub>\_N, FLL<sub>n</sub>\_THETA and FLL<sub>n</sub>\_LAMBDA fields are all coded as integers (LSB = 1).

If the FLL<sub>n</sub>\_N or FLL<sub>n</sub>\_THETA registers are updated while the FLL is enabled (FLL<sub>n</sub>\_ENA=1), then the new values will only be effective when a '1' is written to the FLL<sub>n</sub>\_CTRL\_UPD bit. This makes it possible to update the two registers simultaneously, without disabling the FLL.

Note that, when the FLL is disabled (FLL<sub>n</sub>\_ENA=0), then the FLL<sub>n</sub>\_N and FLL<sub>n</sub>\_THETA registers can be updated without writing to the FLL<sub>n</sub>\_CTRL\_UPD bit.

The values of FLL<sub>n</sub>\_THETA and FLL<sub>n</sub>\_LAMBDA can be calculated as described later.

A similar procedure applies for the derivation of the FLL Synchroniser parameters - assuming that this function is used.

The FLL<sub>n</sub>\_SYNC\_FRATIO field selects the frequency division ratio of the FLL synchroniser input. The FLL<sub>n</sub>\_GAIN and FLL<sub>n</sub>\_SYNC\_DFSAT fields are used to optimise the FLL, according to the input frequency. These fields should be set as described in Table 105.

Note that the FLL<sub>n</sub>\_SYNC\_FRATIO register coding is not the same as the FLL<sub>n</sub>\_FRATIO register.

SYNCHRONISER FREQUENCY $F_{\text{SYNC}}$	FLL $_n$ _SYNC_FRATIO	FLL $_n$ _SYNC_GAIN	FLL $_n$ _SYNC_DFSAT
1MHz - 13.5MHz	0h (divide by 1)	4h (16x gain)	0 (wide bandwidth)
256kHz - 1MHz	1h (divide by 2)	2h (4x gain)	0 (wide bandwidth)
128kHz - 256kHz	2h (divide by 4)	0h (1x gain)	0 (wide bandwidth)
64kHz - 128kHz	3h (divide by 8)	0h (1x gain)	1 (narrow bandwidth)
Less than 64kHz	4h (divide by 16)	0h (1x gain)	1 (narrow bandwidth)

**Table 105 Selection of FLL $_n$ \_SYNC\_FRATIO, FLL $_n$ \_SYNC\_GAIN, FLL $_n$ \_SYNC\_DFSAT**

The FLL operating frequency,  $F_{\text{VCO}}$ , is the same frequency calculated as described above.

The value of N.K (Sync) can then be determined as follows:

$$N.K (\text{Sync}) = F_{\text{VCO}} / (\text{FLL}_n\text{\_SYNC\_FRATIO} \times 3 \times F_{\text{SYNC}})$$

Note that, in the above equations:

$F_{\text{SYNC}}$  is the synchroniser input frequency, after division by FLL $_n$ \_SYNCCLK\_DIV, where applicable.

FLL $_n$ \_SYNC\_FRATIO is the  $F_{\text{VCO}}$  clock ratio (1, 2, 4, 8 or 16).

The value of N (Sync) is held in the FLL $_n$ \_SYNC\_N register field.

The value of K (Sync) is determined by the FLL $_n$ \_SYNC\_THETA and FLL $_n$ \_SYNC\_LAMBDA fields.

The FLL $_n$ \_SYNC\_N, FLL $_n$ \_SYNC\_THETA and FLL $_n$ \_SYNC\_LAMBDA fields are all coded as integers (LSB = 1).

In Fractional Mode, with the synchroniser disabled ( $K > 0$ , and FLL $_n$ \_SYNC\_ENA = 0), the register fields FLL $_n$ \_THETA and FLL $_n$ \_LAMBDA can be calculated as described below.

The equivalent procedure is also used to derive the FLL $_n$ \_SYNC\_THETA and FLL $_n$ \_SYNC\_LAMBDA register values from the corresponding synchroniser parameters. (This is only required if the synchroniser is enabled.)

Calculate GCD(FLL) using the 'Greatest Common Denominator' function:

$$\text{GCD}(\text{FLL}) = \text{GCD}(\text{FLL}_n\text{\_FRATIO} \times F_{\text{REF}}, F_{\text{VCO}} / 3)$$

where GCD(x, y) is the greatest common denominator of x and y

$F_{\text{REF}}$  is the input frequency, after division by FLL $_n$ \_REFCLK\_DIV, where applicable.

Next, calculate FLL $_n$ \_THETA and FLL $_n$ \_LAMBDA using the following equations:

$$\text{FLL}_n\text{\_THETA} = ((F_{\text{VCO}} / 3) - (\text{FLL}_n \times \text{FLL}_n\text{\_FRATIO} \times F_{\text{REF}})) / \text{GCD}(\text{FLL})$$

$$\text{FLL}_n\text{\_LAMBDA} = (\text{FLL}_n\text{\_FRATIO} \times F_{\text{REF}}) / \text{GCD}(\text{FLL})$$

Note that, in the operating conditions described above, the values of FLL $_n$ \_THETA and FLL $_n$ \_LAMBDA must be co-prime (ie. not divisible by any common integer). The calculation above ensures that the values will be co-prime. The value of K must be a fraction less than 1 (ie. FLL $_n$ \_THETA must be less than FLL $_n$ \_LAMBDA).

In Fractional Mode, with the synchroniser enabled ( $K > 0$ , and FLL $_n$ \_SYNC\_ENA = 1), the value of FLL $_n$ \_THETA is calculated as described below. The value of FLL $_n$ \_LAMBDA is ignored in this case.

$$\text{FLL}_n\text{\_THETA} = K \times 65536$$

The FLL control registers are described in Table 106 and Table 107. Example settings for a variety of reference frequencies and output frequencies are shown in Table 110.

REGISTER ADDRESS	BIT	LABEL	DEFAULT	DESCRIPTION
R369 (0171h) FLL1 Control 1	0	FLL1_ENA	0	FLL1 Enable 0 = Disabled 1 = Enabled  This should be set as the final step of the FLL1 enable sequence, ie. after the other FLL registers have been configured.
R370 (0172h) FLL1 Control 2	15	FLL1_CTRL_UP D	0	FLL1 Control Update Write '1' to apply the FLL1_N and FLL1_THETA register settings. (Only valid when FLL1_ENA=1)
	9:0	FLL1_N [9:0]	008h	FLL1 Integer multiply for $F_{REF}$ (LSB = 1) If updated while the FLL is enabled, the new value is only effective when a '1' is written to FLL1_CTRL_UPD.
R371 (0173h) FLL1 Control 3	15:0	FLL1_THETA [15:0]	0018h	FLL1 Fractional multiply for $F_{REF}$ This field sets the numerator (multiply) part of the FLL1_THETA / FLL1_LAMBDA ratio. Coded as LSB = 1. If updated while the FLL is enabled, the new value is only effective when a '1' is written to FLL1_CTRL_UPD.
R372 (0174h) FLL1 Control 4	15:0	FLL1_LAMBDA [15:0]	007Dh	FLL1 Fractional multiply for $F_{REF}$ This field sets the denominator (dividing) part of the FLL1_THETA / FLL1_LAMBDA ratio. Coded as LSB = 1.
R373 (0175h) FLL1 Control 5	11:8	FLL1_FRATIO [3:0]	0h	FLL1 $F_{VCO}$ clock divider 0h = 1 1h = 2 2h = 3 3h = 4 ... Fh = 16
	3:1	FLL1_OUTDIV [2:0]	011	FLL1 $F_{OUT}$ clock divider 000 = Reserved 001 = Reserved 010 = Divide by 2 011 = Divide by 3 100 = Divide by 4 101 = Divide by 5 110 = Divide by 6 111 = Divide by 7 ( $F_{OUT} = F_{VCO} / FLL1\_OUTDIV$ )
R374 (0176h) FLL1 Control 6	7:6	FLL1_REFCLK_ DIV [1:0]	00	FLL1 Clock Reference Divider 00 = 1 01 = 2 10 = 4 11 = 8  MCLK (or other input reference) must be divided down to $\leq 13.5$ MHz. For lower power operation, the reference clock can be divided down further if desired.



REGISTER ADDRESS	BIT	LABEL	DEFAULT	DESCRIPTION
	3:0	FLL1_REFCLK_SRC	0000	FLL1 Clock source 0000 = MCLK1 0001 = MCLK2 0011 = SLIMCLK 0100 = FLL1 0101 = FLL2 1000 = AIF1BCLK 1001 = AIF2BCLK 1010 = AIF3BCLK 1100 = AIF1RXLRCLK 1101 = AIF2RXLRCLK 1110 = AIF3RXLRCLK All other codes are Reserved
R377 (0179h) FLL1 Control 7	5:2	FLL1_GAIN [3:0]	0000	FLL1 Gain 0000 = 1 0001 = 2 0010 = 4 0011 = 8 0100 = 16 0101 = 32 0110 = 64 0111 = 128 1000 to 1111 = 256
R385 (0181h) FLL1 Synchroniser 1	0	FLL1_SYNC_ENA	0	FLL1 Synchroniser Enable 0 = Disabled 1 = Enabled This should be set as the final step of the FLL1 synchroniser enable sequence, ie. after the other synchroniser registers have been configured.
R386 (0182h) FLL1 Synchroniser 2	9:0	FLL1_SYNC_N [9:0]	000h	FLL1 Integer multiply for $F_{\text{SYNC}}$ (LSB = 1)
R387 (0183h) FLL1 Synchroniser 3	15:0	FLL1_SYNC_THETA [15:0]	0000h	FLL1 Fractional multiply for $F_{\text{SYNC}}$ This field sets the numerator (multiply) part of the FLL1_SYNC_THETA / FLL1_SYNC_LAMBDA ratio. Coded as LSB = 1.
R388 (0184h) FLL1 Synchroniser 4	15:0	FLL1_SYNC_LAMBDA [15:0]	0000h	FLL1 Fractional multiply for $F_{\text{SYNC}}$ This field sets the denominator (dividing) part of the FLL1_SYNC_THETA / FLL1_SYNC_LAMBDA ratio. Coded as LSB = 1.
R389 (0185h) FLL1 Synchroniser 5	10:8	FLL1_SYNC_RATIO [2:0]	000	FLL1 Synchroniser $F_{\text{VCO}}$ clock divider 000 = 1 001 = 2 010 = 4 011 = 8 1XX = 16

REGISTER ADDRESS	BIT	LABEL	DEFAULT	DESCRIPTION
R390 (0186h) FLL1 Synchroniser 6	7:6	FLL1_SYNCCLK_DIV [1:0]	00	FLL1 Synchroniser Clock Reference Divider 00 = 1 01 = 2 10 = 4 11 = 8  MCLK (or other input reference) must be divided down to <=13.5MHz. For lower power operation, the reference clock can be divided down further if desired.
	3:0	FLL1_SYNCCLK_SRC	0000	FLL1 Synchroniser Clock source 0000 = MCLK1 0001 = MCLK2 0011 = SLIMCLK 0100 = FLL1 0101 = FLL2 1000 = AIF1BCLK 1001 = AIF2BCLK 1010 = AIF3BCLK 1100 = AIF1RXLRCLK 1101 = AIF2RXLRCLK 1110 = AIF3RXLRCLK All other codes are Reserved
R391 (0187h) FLL1 Synchroniser 7	5:2	FLL1_SYNC_GAIN [3:0]	0000	FLL1 Synchroniser Gain 0000 = 1 0001 = 2 0010 = 4 0011 = 8 0100 = 16 0101 = 32 0110 = 64 0111 = 128 1000 to 1111 = 256
	0	FLL1_SYNC_DF SAT	1	FLL1 Synchroniser Bandwidth 0 = Wide bandwidth 1 = Narrow bandwidth

**Table 106 FLL1 Register Map**

REGISTER ADDRESS	BIT	LABEL	DEFAULT	DESCRIPTION
R401 (0191h) FLL2 Control 1	0	FLL2_ENA	0	FLL2 Enable 0 = Disabled 1 = Enabled  This should be set as the final step of the FLL2 enable sequence, ie. after the other FLL registers have been configured.
R402 (0192h) FLL2 Control 2	15	FLL2_CTRL_UPDATE	0	FLL2 Control Update Write '1' to apply the FLL2_N and FLL2_THETA register settings. (Only valid when FLL2_ENA=1)
	9:0	FLL2_N [9:0]	008h	FLL2 Integer multiply for F <sub>REF</sub> (LSB = 1)  If updated while the FLL is enabled, the new value is only effective when a '1' is written to FLL2_CTRL_UPD.

REGISTER ADDRESS	BIT	LABEL	DEFAULT	DESCRIPTION
R403 (0193h) FLL2 Control 3	15:0	FLL2_THETA [15:0]	0018h	FLL2 Fractional multiply for $F_{REF}$ This field sets the numerator (multiply) part of the FLL2_THETA / FLL2_LAMBDA ratio. Coded as LSB = 1. If updated while the FLL is enabled, the new value is only effective when a '1' is written to FLL2_CTRL_UPD.
R404 (0194h) FLL2 Control 4	15:0	FLL2_LAMBDA [15:0]	007Dh	FLL2 Fractional multiply for $F_{REF}$ This field sets the denominator (dividing) part of the FLL2_THETA / FLL2_LAMBDA ratio. Coded as LSB = 1.
R405 (0195h) FLL2 Control 5	11:8	FLL2_FRATIO [3:0]	0h	FLL2 $F_{VCO}$ clock divider 0h = 1 1h = 2 2h = 3 3h = 4 ... Fh = 16
	3:1	FLL2_OUTDIV [2:0]	110	FLL2 $F_{OUT}$ clock divider 000 = Reserved 001 = Reserved 010 = Divide by 2 011 = Divide by 3 100 = Divide by 4 101 = Divide by 5 110 = Divide by 6 111 = Divide by 7 ( $F_{OUT} = F_{VCO} / FLL2\_OUTDIV$ )
R406 (0196h) FLL2 Control 6	7:6	FLL2_REFCLK_DIV [1:0]	00	FLL2 Clock Reference Divider 00 = 1 01 = 2 10 = 4 11 = 8  MCLK (or other input reference) must be divided down to $\leq 13.5$ MHz. For lower power operation, the reference clock can be divided down further if desired.
	3:0	FLL2_REFCLK_SRC	0000	FLL2 Clock source 0000 = MCLK1 0001 = MCLK2 0011 = SLIMCLK 0100 = FLL1 0101 = FLL2 1000 = AIF1BCLK 1001 = AIF2BCLK 1010 = AIF3BCLK 1100 = AIF1RXLRCLK 1101 = AIF2RXLRCLK 1110 = AIF3RXLRCLK All other codes are Reserved

REGISTER ADDRESS	BIT	LABEL	DEFAULT	DESCRIPTION
R409 (0199h) FLL2 Control 7	5:2	FLL2_GAIN [3:0]	0000	FLL2 Gain 0000 = 1 0001 = 2 0010 = 4 0011 = 8 0100 = 16 0101 = 32 0110 = 64 0111 = 128 1000 to 1111 = 256
R417 (01A1h) FLL2 Synchroniser 1	0	FLL2_SYNC_EN A	0	FLL2 Synchroniser Enable 0 = Disabled 1 = Enabled This should be set as the final step of the FLL2 synchroniser enable sequence, ie. after the other synchroniser registers have been configured.
R418 (01A2h) FLL2 Synchroniser 2	9:0	FLL2_SYNC_N [9:0]	000h	FLL2 Integer multiply for $F_{\text{SYNC}}$ (LSB = 1)
R419 (01A3h) FLL2 Synchroniser 3	15:0	FLL2_SYNC_THETA [15:0]	0000h	FLL2 Fractional multiply for $F_{\text{SYNC}}$ This field sets the numerator (multiply) part of the FLL2_SYNC_THETA / FLL2_SYNC_LAMBDA ratio. Coded as LSB = 1.
R420 (01A4h) FLL2 Synchroniser 4	15:0	FLL2_SYNC_LAMBDA [15:0]	0000h	FLL2 Fractional multiply for $F_{\text{SYNC}}$ This field sets the denominator (dividing) part of the FLL2_SYNC_THETA / FLL2_SYNC_LAMBDA ratio. Coded as LSB = 1.
R421 (01A5h) FLL2 Synchroniser 5	10:8	FLL2_SYNC_RATIO [2:0]	000	FLL2 Synchroniser $F_{\text{VCO}}$ clock divider 000 = 1 001 = 2 010 = 4 011 = 8 1XX = 16
R422 (01A6h) FLL2 Synchroniser 6	7:6	FLL2_SYNCCLK_DIV [1:0]	00	FLL2 Synchroniser Clock Reference Divider 00 = 1 01 = 2 10 = 4 11 = 8  MCLK (or other input reference) must be divided down to $\leq 13.5\text{MHz}$ . For lower power operation, the reference clock can be divided down further if desired.

REGISTER ADDRESS	BIT	LABEL	DEFAULT	DESCRIPTION
	3:0	FLL2_SYNCCLK_SRC	0000	FLL2 Synchroniser Clock source 0000 = MCLK1 0001 = MCLK2 0011 = SLIMCLK 0100 = FLL1 0101 = FLL2 1000 = AIF1BCLK 1001 = AIF2BCLK 1010 = AIF3BCLK 1100 = AIF1RXLRCLK 1101 = AIF2RXLRCLK 1110 = AIF3RXLRCLK All other codes are Reserved
R423 (01A7h) FLL2 Synchroniser 7	5:2	FLL2_SYNC_GAIN [3:0]	0000	FLL2 Synchroniser Gain 0000 = 1 0001 = 2 0010 = 4 0011 = 8 0100 = 16 0101 = 32 0110 = 64 0111 = 128 1000 to 1111 = 256
	0	FLL2_SYNC_BANDWIDTH	1	FLL2 Synchroniser Bandwidth 0 = Wide bandwidth 1 = Narrow bandwidth

**Table 107 FLL2 Register Map**

### FREE-RUNNING FLL MODE

The FLL can generate a clock signal even when no external reference is available. This may be because the normal input reference has been interrupted, or may be during a standby or start-up period when no initial reference clock is available.

Free-running FLL mode is enabled using the FLLn\_FREERUN register. (Note that FLLn\_ENA must also be enabled in Free-running FLL mode.)

In Free-running FLL mode, the normal feedback mechanism of the FLL is halted, and the FLL oscillates independently of the external input reference(s).

If the FLL was previously operating normally, (with an input reference clock), then the FLL output frequency will remain unchanged when Free-running FLL mode is enabled. The FLL output will be independent of the input reference while operating in free-running mode with FLLn\_FREERUN=1.

The main FLL loop will always continue to free-run if the input reference clock is stopped (regardless of the FLLn\_FREERUN setting). If FLLn\_FREERUN=0, the FLL will re-lock to the input reference whenever it is available.

In free-running mode, (with FLLn\_FREERUN=1), the FLL integrator value (part of the feedback mechanism) can be commanded directly using the FLLn\_FRC\_INTEG\_VAL register. The integrator value in this register is applied to the FLL when a '1' is written to the FLLn\_FRC\_INTEG\_UPD bit.

If the FLL is started up in free-running mode, (ie. it was not previously running), then the default value of FLLn\_FRC\_INTEG\_VAL will be applied.

The FLL integrator value (part of the feedback mechanism) can be read from the FLLn\_INTEG register; the value of this field may be stored for later use. Note that the readback value of the FLLn\_INTEG register is only valid when FLLn\_FREERUN=1, and the FLLn\_INTEG\_VALID bit is set.

The FLL integrator setting does not ensure a specific output frequency for the FLL across all devices and operating conditions; some level of variation will apply.

The free-running FLL clock may be selected as the SYSCLK source or ASYNCCLK source as shown Figure 69.

The control registers applicable to Free-running FLL mode are described in Table 108.

REGISTER ADDRESS	BIT	LABEL	DEFAULT	DESCRIPTION
R369 (0171h) FLL1 Control 1	1	FLL1_FREERUN	1	FLL1 Free-Running Mode Enable 0 = Disabled 1 = Enabled The FLL feedback mechanism is halted in Free-Running mode, and the latest integrator setting is maintained
R375 (0177h) FLL1 Loop Filter Test 1	15	FLL1_FRC_INTE G_UPD	0	Write '1' to apply the FLL1_FRC_INTEG_VAL setting. (Only valid when FLL1_FREERUN=1)
	11:0	FLL1_FRC_INTE G_VAL [11:0]	281h	FLL1 Forced Integrator Value
R376 (0178h) FLL1 NCO Test 0	15	FLL1_INTEG_VA LID	0	FLL1 Integrator Valid Indicates if the FLL1_INTEG register is valid 0 = Not valid 1 = Valid
	11:0	FLL1_INTEG [11:0]	000h	FLL1 Integrator Value (Read-only) Indicates the current FLL1 integrator setting. Only valid when FLL1_INTEG_VALID = 1.
R401 (0191h) FLL2 Control 1	1	FLL2_FREERUN	1	FLL2 Free-Running Mode Enable 0 = Disabled 1 = Enabled The FLL feedback mechanism is halted in Free-Running mode, and the latest integrator setting is maintained
R407 (0197h) FLL2 Loop Filter Test 1	15	FLL2_FRC_INTE G_UPD	0	Write '1' to apply the FLL2_FRC_INTEG_VAL setting. (Only valid when FLL2_FREERUN=1)
	11:0	FLL2_FRC_INTE G_VAL [11:0]	000h	FLL2 Forced Integrator Value
R408 (0198h) FLL2 NCO Test 0	15	FLL2_INTEG_VA LID	0	FLL2 Integrator Valid Indicates if the FLL2_INTEG register is valid 0 = Not valid 1 = Valid
	11:0	FLL2_INTEG [11:0]	000h	FLL2 Integrator Value (Read-only) Indicates the current FLL2 integrator setting. Only valid when FLL2_INTEG_VALID = 1.

**Table 108 Free-Running FLL Mode Control**

**SPREAD SPECTRUM FLL CONTROL**

The WM8281 can apply modulation to the FLL outputs, using spread spectrum techniques. This can be used to control the EMI characteristics of the circuits that are clocked via the FLLs.

Each of the FLLs can be individually configured for Triangle modulation, Zero Mean Frequency Modulation (ZMFM) or Dither. The amplitude and frequency parameters of the spread spectrum functions is also programmable, using the registers described in Table 109.

REGISTER ADDRESS	BIT	LABEL	DEFAULT	DESCRIPTION
R393 (0189h) FLL1 Spread Spectrum	5:4	FLL1_SS_AMPL [1:0]	00	FLL1 Spread Spectrum Amplitude Controls the extent of the spread-spectrum modulation. 00 = 0.7% (triangle), 0.7% (ZMFM, dither) 01 = 1.1% (triangle), 1.3% (ZMFM, dither) 10 = 2.3% (triangle), 2.6% (ZMFM, dither) 11 = 4.6% (triangle), 5.2% (ZMFM, dither)
	3:2	FLL1_SS_FREQ [1:0]	00	FLL1 Spread Spectrum Frequency Controls the spread spectrum modulation frequency in Triangle mode. 00 = 439kHz 01 = 878kHz 10 = 1.17MHz 11 = 1.76MHz
	1:0	FLL1_SS_SEL [1:0]	00	FLL1 Spread Spectrum Select 00 = Disabled 01 = Zero Mean Frequency (ZMFM) 10 = Triangle 11 = Dither
R425 (01A9h) FLL2 Spread Spectrum	5:4	FLL2_SS_AMPL [1:0]	00	FLL2 Spread Spectrum Amplitude Controls the extent of the spread-spectrum modulation. 00 = 0.7% (triangle), 0.7% (ZMFM, dither) 01 = 1.1% (triangle), 1.3% (ZMFM, dither) 10 = 2.3% (triangle), 2.6% (ZMFM, dither) 11 = 4.6% (triangle), 5.2% (ZMFM, dither)
	3:2	FLL2_SS_FREQ [1:0]	00	FLL2 Spread Spectrum Frequency Controls the spread spectrum modulation frequency in Triangle mode. 00 = 439kHz 01 = 878kHz 10 = 1.17MHz 11 = 1.76MHz
	1:0	FLL2_SS_SEL [1:0]	00	FLL2 Spread Spectrum Select 00 = Disabled 01 = Zero Mean Frequency (ZMFM) 10 = Triangle 11 = Dither

**Table 109 FLL Spread Spectrum Control**

### FLL INTERRUPTS AND GPIO OUTPUT

For each FLL, the WM8281 supports an 'FLL Clock OK' signal which, when asserted, indicates that the FLL has started up and is providing an output clock. Each FLL also supports an 'FLL Lock' signal which indicates whether FLL Lock has been achieved (ie. the FLL is locked to the input reference signal).

The FLL Clock OK status and FLL Lock status are inputs to the Interrupt control circuit and can be used to trigger an Interrupt event - see "Interrupts". Note that these Interrupt signals are de-bounced, and require clocking to be present in order to assert the respective Interrupt; either the 32kHz clock, or the SYSCLK signal, must be enabled to trigger an Interrupt from the FLL signals.

The FLL Clock OK and FLL Lock signals can be output directly on a GPIO pin as an external indication of the FLL status. See "General Purpose Input / Output" to configure a GPIO pin for these functions. (These GPIO outputs are not de-bounced, and do not require clocking to be present.)

Clock output signals derived from the FLL can be output on a GPIO pin. See "General Purpose Input / Output" to configure a GPIO pin for this function.

The FLL clocking configuration is illustrated in Figure 71.

### EXAMPLE FLL CALCULATION

The following example illustrates how to derive the FLL1 registers to generate 147.456 MHz output ( $F_{OUT}$ ) from a 12.000 MHz reference clock ( $F_{REF}$ ). Note that, for this calculation, it is assumed that the synchroniser is disabled.

- Set FLL1\_REFCLK\_DIV in order to generate  $F_{REF} \leq 13.5\text{MHz}$ :  
FLL1\_REFCLK\_DIV = 00 (divide by 1)
- Set FLL1\_OUTDIV for the required output frequency as shown in Table 102:-  
 $F_{OUT} = 147.456\text{ MHz}$ , therefore FLL1\_OUTDIV = 2h (divide by 2)
- Set FLL1\_FRATIO for the given reference frequency as shown in Table 103:  
 $F_{REF} = 12\text{MHz}$ , therefore FLL1\_FRATIO = 0h (divide by 1)
- Calculate  $F_{VCO}$  as given by  $F_{VCO} = F_{OUT} \times FLL1\_OUTDIV$ :-  
 $F_{VCO} = 147.456 \times 2 = 294.912\text{ MHz}$
- Calculate N.K as given by  $N.K = F_{VCO} / (FLL1\_FRATIO \times 3 \times F_{REF})$ :  
 $N.K = 294.912 / (1 \times 3 \times 12) = 8.192$
- Confirm that a non-integer value has been calculated for N.K.
- Confirm that the input frequency,  $F_{REF}$ , is less than the applicable limit shown in Table 104.
- Determine FLL1\_N from the integer portion of N.K:-  
FLL1\_N = 8 (008h)
- Determine GCD(FLL), as given by  $GCD(FLL) = GCD(FLL1\_FRATIO \times F_{REF}, F_{VCO} / 3)$ :  
 $GCD(FLL) = GCD(1 \times 12000000, 294912000 / 3) = 96000$
- Determine FLL1\_THETA, as given by  
 $FLL1\_THETA = ((F_{VCO} / 3) - (FLL1\_N \times FLL1\_FRATIO \times F_{REF})) / GCD(FLL)$ :  
 $FLL1\_THETA = ((294912000 / 3) - (8 \times 1 \times 12000000)) / 96000$   
FLL1\_THETA = 24 (0018h)
- Determine FLL\_LAMBDA, as given by  
 $FLL1\_LAMBDA = (FLL1\_FRATIO \times F_{REF}) / GCD(FLL)$ :  
 $FLL1\_LAMBDA = (1 \times 12000000) / 96000$   
FLL1\_LAMBDA = 125 (007Dh)



**EXAMPLE FLL SETTINGS**

Table 110 provides example FLL settings for generating 147.456MHz SYSCLK from a variety of low and high frequency reference inputs. Note that, in these examples, it is assumed that the synchroniser is disabled.

<b>FLL (Main Loop) Settings</b>									
<b>F<sub>SOURCE</sub></b>	<b>F<sub>OUT</sub> (MHz)</b>	<b>F<sub>REF</sub> Divider</b>	<b>N.K</b>	<b>FRATIO</b>	<b>F<sub>VCO</sub> (MHz)</b>	<b>OUTDIV</b>	<b>FLLn_N</b>	<b>FLLn_THETA</b>	<b>FLLn_LAMBDA</b>
32.000 kHz	147.456	1	204.8	15	294.912	2	0CCh	0004h	0005h
32.768 kHz	147.456	1	187.5	16	294.912	2	0BBh	0001h	0002h
48 kHz	147.456	1	136.5333	15	294.912	2	088h	0008h	000Fh
128 kHz	147.456	1	109.4173	7	294.912	2	06Dh	0005h	0007h
512 kHz	147.456	1	38.4	5	294.912	2	026h	0002h	0005h
1.536 MHz	147.456	1	21.3333	3	294.912	2	015h	0001h	0003h
3.072 MHz	147.456	1	10.6667	3	294.912	2	00Ah	0002h	0003h
11.2896 MHz	147.456	1	8.7075	1	294.912	2	008h	0068h	0093h
12.000 MHz	147.456	1	8.192	1	294.912	2	008h	0018h	007Dh
12.288 MHz	147.456	2	5.3333	3	294.912	2	005h	0001h	0003h
13.000 MHz	147.456	1	7.5618	1	294.912	2	007h	0391h	0659h
19.200 MHz	147.456	2	10.24	1	294.912	2	00Ah	0006h	0019h
24 MHz	147.456	2	8.192	1	294.912	2	008h	0018h	007Dh
26 MHz	147.456	2	7.5618	1	294.912	2	007h	0391h	0659h
27 MHz	147.456	2	7.2818	1	294.912	2	007h	013Dh	0465h

$F_{OUT} = (F_{SOURCE} / F_{REF} \text{ Divider}) * 3 * N.K * FRATIO / OUTDIV$   
 The values of N and K are contained in the FLLn\_N, FLLn\_THETA and FLLn\_LAMBDA registers as shown above.  
 See Table 106 and Table 107 for the coding of the FLLn\_REFCLK\_DIV, FLLn\_FRATIO and FLLn\_OUTDIV registers.

**Table 110 Example FLL Settings – Synchroniser Disabled**

Table 111 provides example FLL settings for generating 147.456MHz SYSCLK, with the synchroniser enabled. The main loop and the synchroniser loop must each be configured according to the respective input source.

<b>FLL (Main Loop) Settings</b>									
<b>F<sub>SOURCE</sub></b>	<b>F<sub>OUT</sub> (MHz)</b>	<b>F<sub>REF</sub> Divider</b>	<b>N.K</b>	<b>FRATIO</b>	<b>F<sub>VCO</sub> (MHz)</b>	<b>OUTDIV</b>	<b>FLLn_N</b>	<b>FLLn_THETA</b>	<b>FLLn_LAMBDA</b>
32.000 kHz	147.456	1	204.8	15	294.912	2	0CCh	CCCCh	0000h
32.768 kHz	147.456	1	187.5	16	294.912	2	0BBh	8000h	0000h
48 kHz	147.456	1	136.5333	15	294.912	2	088h	8888h	0000h
128 kHz	147.456	1	109.4173	7	294.912	2	06Dh	B6DBh	0000h
512 kHz	147.456	1	38.4	5	294.912	2	026h	6666h	0000h
1.536 MHz	147.456	1	21.3333	3	294.912	2	015h	5555h	0000h
3.072 MHz	147.456	1	10.6667	3	294.912	2	00Ah	AAAAh	0000h
11.2896 MHz	147.456	1	8.7075	1	294.912	2	008h	B51Dh	0000h
12.000 MHz	147.456	1	8.192	1	294.912	2	008h	3126h	0000h
12.288 MHz	147.456	2	5.3333	3	294.912	2	005h	5555h	0000h
13.000 MHz	147.456	1	7.5618	1	294.912	2	007h	8FD5h	0000h
19.200 MHz	147.456	2	10.24	1	294.912	2	00Ah	3D70h	0000h
24 MHz	147.456	2	8.192	1	294.912	2	008h	3126h	0000h
26 MHz	147.456	2	7.5618	1	294.912	2	007h	8FD5h	0000h
27 MHz	147.456	2	7.2818	1	294.912	2	007h	4822h	0000h
<b>FLL (Synchroniser Loop) Settings</b>									
<b>F<sub>SOURCE</sub></b>	<b>F<sub>OUT</sub> (MHz)</b>	<b>F<sub>SYNC</sub> Divider</b>	<b>N.K (SYNC)</b>	<b>FRATIO (SYNC)</b>	<b>F<sub>VCO</sub> (MHz)</b>	<b>OUTDIV</b>	<b>FLLn_SYNC_N</b>	<b>FLLn_SYNC_THETA</b>	<b>FLLn_SYNC_LAMBDA</b>
32.000 kHz	147.456	1	192	16	294.912	2	0C0h	0000h	0000h
32.768 kHz	147.456	1	187.5	16	294.912	2	0BBh	0001h	0002h
48 kHz	147.456	1	128	16	294.912	2	080h	0000h	0000h
128 kHz	147.456	1	96	8	294.912	2	060h	0000h	0000h
512 kHz	147.456	1	96	2	294.912	2	060h	0000h	0000h
1.536 MHz	147.456	1	64	1	294.912	2	040h	0000h	0000h
3.072 MHz	147.456	1	32	1	294.912	2	020h	0000h	0000h
11.2896 MHz	147.456	1	8.7075	1	294.912	2	008h	0068h	0093h
12.000 MHz	147.456	1	8.192	1	294.912	2	008h	0018h	007Dh
12.288 MHz	147.456	1	8	1	294.912	2	008h	0000h	0000h
13.000 MHz	147.456	1	7.5618	1	294.912	2	007h	0391h	0659h
19.200 MHz	147.456	2	10.24	1	294.912	2	00Ah	0006h	0019h
24 MHz	147.456	2	8.192	1	294.912	2	008h	0018h	007Dh
26 MHz	147.456	2	7.5618	1	294.912	2	007h	0391h	0659h
27 MHz	147.456	2	7.2818	1	294.912	2	007h	013Dh	0465h
$F_{OUT} = (F_{SOURCE} / F_{REF} \text{ Divider}) * 3 * N.K * FRATIO / OUTDIV$ <p>The values of N and K are contained in the FLLn_N, FLLn_THETA and FLLn_LAMBDA registers. See Table 106 and Table 107 for the coding of the FLL configuration registers. Note that the register coding of FLLn_FRATIO is different to FLLn_SYNC_FRATIO.</p>									

**Table 111 Example FLL Settings – Synchroniser Enabled**

## CONTROL INTERFACE

The WM8281 is controlled by writing to its control registers. Readback is available for all registers. Two independent Control Interfaces are provided, giving flexible capability as described below. Note that the SLIMbus interface also supports read/write access to the WM8281 control registers - see "SLIMbus Interface Control".

Note that the Control Interface function can be supported with or without system clocking. Where applicable, the register map access is synchronised with SYSCLK in order to ensure predictable operation of cross-domain functions. See "Clocking and Sample Rates" for further details of Control Interface clocking.

When SYSCLK is present and enabled, register access is possible on all of the Control Interfaces (including SLIMbus) simultaneously.

When SYSCLK is disabled, then register access will only be supported on whichever interface (I2C, SPI, or SLIMbus) is the first to attempt any register access after SYSCLK has stopped. Full access via all interfaces will be restored when SYSCLK is enabled.

The WM8281 executes a Boot Sequence following Power-On Reset (POR), Hardware Reset, Software Reset or Wake-Up (from Sleep mode). Note that Control Register writes should not be attempted until the Boot Sequence has completed. See "Power-On Reset (POR)" for further details.

The WM8281 performs automatic checks to confirm that the control interface does not attempt a Read or Write operation to an invalid register address. The Control Interface Address Error condition can be monitored using the GPIO and/or Interrupt functions. See "General Purpose Input / Output" and "Interrupts" for further details.

Control Interface 1 can be configured as a 2-wire (I2C) interface or 4-wire (SPI) interface. This is determined by the logic level on the CIF1MODE pin, as shown in Table 112.

All of the CIF1 interface pins are referenced to the DBVDD1 power domain.

CIF1MODE	CONTROL INTERFACE MODE	DESCRIPTION
Logic 0	2-wire (I2C) mode	CIF1SCLK is the interface clock input CIF1SDA is the bi-directional data pin
Logic 1	4-wire (SPI) mode	CIF1SCLK is the interface clock input CIF1MOSI is the data input pin CIF1MISO is the data output pin CIF1SS is the 'slave select' input

**Table 112 Control Interface 1 Mode Selection**

The CIF1ADDR and CIF1SS functions are implemented on a shared pin. In 2-wire (I2C) mode, the CIF1ADDR input selects the Device ID, as described in Table 114. In 4-wire (SPI) mode, the CIF1SS input provides the 'Slave Select' function.

The CIF1MISO function shares the same pin as GPIO4 (see "General Purpose Input / Output"). The CIF1MISO function is selected by default; this is determined by the SPI\_GPIO register bit as described in Table 113.

Control Interface 2 operates as a 2-wire (I2C) interface only.

The CIF2 interface pins are referenced to the DBVDD2 power domain.

A detailed description of the 2-wire (I2C) interface and 4-wire (SPI) interface modes is provided in the following sections. The Control Interface configuration registers are described in Table 113.

REGISTER ADDRESS	BIT	LABEL	DEFAULT	DESCRIPTION
R8 (08h) Ctrl IF SPI CFG 1	4	SPI_CFG	1	CIF1MISO pin configuration (applies to SPI mode only) 0 = CMOS 1 = Wired 'OR'.
	3	SPI_GPIO	1	CIF1MISO / GPIO4 pin function select 0 = GPIO4 1 = CIF1MISO
	1:0	SPI_AUTO_INC [1:0]	01	CIF1 SPI Address auto-increment select 00 = Disabled 01 = Increment by 1 on each access 10 = Increment by 2 on each access 11 = Increment by 3 on each access
R9 (09h) Ctrl IF I2C1 CFG 1	1:0	I2C1_AUTO_IN C [1:0]	01	CIF1 I2C Address auto-increment select 00 = Disabled 01 = Increment by 1 on each access 10 = Increment by 2 on each access 11 = Increment by 3 on each access
R10 (0Ah) Ctrl IF I2C2 CFG 1	1:0	I2C2_AUTO_IN C [1:0]	01	CIF2 I2C Address auto-increment select 00 = Disabled 01 = Increment by 1 on each access 10 = Increment by 2 on each access 11 = Increment by 3 on each access
R11 (0Bh) Ctrl IF I2C1 CFG 2	6:0	I2C1_DEV_ID [6:0]	1Ah	CIF1 Device ID (Read Only) Note that this 7-bit field identifies bits [7:1] of the CIF1 I2C device ID. The read/write bit is appended to these 7 bits.
R12 (0Ch) Ctrl IF I2C2 CFG 2	6:0	I2C2_DEV_ID [6:0]	1Ah	CIF2 Device ID Note that this 7-bit field identifies bits [7:1] of the CIF2 I2C device ID. The read/write bit is appended to these 7 bits.
R3105 (0C21h) Misc Pad Ctrl 2	0	ADDR_PD	1	CIF1ADDR Pull-down enable 0 = Disabled 1 = Enabled

**Table 113 Control Interface Configuration**

## 2-WIRE (I2C) CONTROL MODE

The 2-wire (I2C) Control Interface mode is supported on CIF1 and CIF2, and uses the corresponding SCLK, SDA pins. The ADDR pin is also used to select the CIF1 Device ID.

In 2-wire (I2C) mode, the WM8281 is a slave device on the control interface; SCLK is a clock input, while SDA is a bi-directional data pin. To allow arbitration of multiple slaves (and/or multiple masters) on the same interface, the WM8281 transmits logic 1 by tri-stating the SDA pin, rather than pulling it high. An external pull-up resistor is required to pull the SDA line high so that the logic 1 can be recognised by the master.

In order to allow many devices to share a single 2-wire control bus, every device on the bus has a unique 8-bit device ID (this is not the same as the address of each register in the WM8281).

For Control Interface 1, the device ID is selectable using the CIF1ADDR pin, as described in Table 114. The LSB of the Device ID is the Read/Write bit; this bit is set to logic 1 for "Read" and logic 0 for "Write".

The CIF1ADDR logic level is referenced to the DBVDD1 power domain. An internal pull-down resistor is enabled by default on the CIF1ADDR pin; this can be configured using the ADDR\_PD register bit described in Table 113.

CIF1ADDR	DEVICE ID (CIF1)
Logic 0	0011 010x = 34h (write) / 35h (read)
Logic 1	0011 011x = 36h (write) / 37h (read)

**Table 114 Control Interface Device ID Selection**

For Control Interface 2, the device ID is selectable using the I2C2\_DEV\_ID control register, as described in Table 113. Note that this register identifies bits [7:1] of the CIF2 I2C device ID; the LSB of the Device ID is the Read/Write bit, as described above.

Under default register conditions, the CIF2 device ID is 34h (write) / 35h (read).

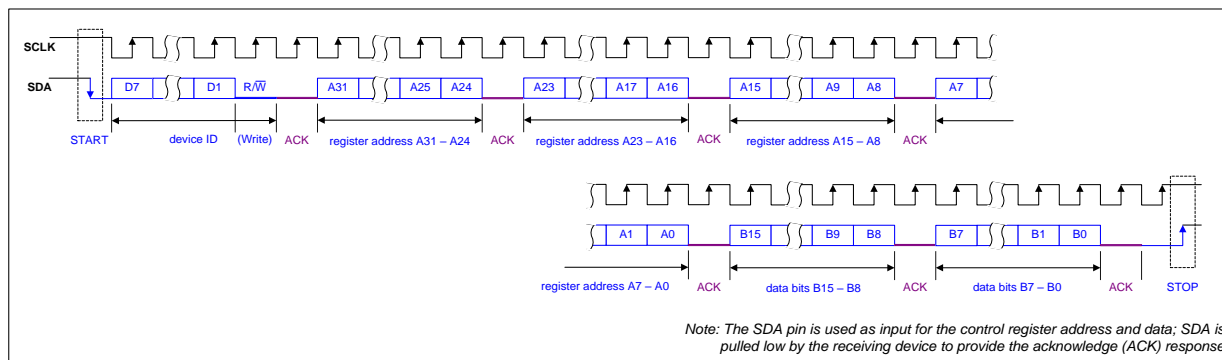
The WM8281 operates as a slave device only. The controller indicates the start of data transfer with a high to low transition on SDA while SCLK remains high. This indicates that a device ID, and subsequent address/data byte(s) will follow. The WM8281 responds to the start condition and shifts in the next eight bits on SDA (8-bit device ID, including Read/Write bit, MSB first). If the device ID received matches the device ID of the WM8281, then the WM8281 responds by pulling SDA low on the next clock pulse (ACK). If the device ID is not recognised or the R/W bit is set incorrectly, the WM8281 returns to the idle condition and waits for a new start condition and valid address.

If the device ID matches the device ID of the WM8281, the data transfer continues as described below. The controller indicates the end of data transfer with a low to high transition on SDA while SCLK remains high. After receiving a complete address and data sequence the WM8281 returns to the idle state and waits for another start condition. If a start or stop condition is detected out of sequence at any point during data transfer (i.e. SDA changes while SCLK is high), the device returns to the idle condition.

The WM8281 supports the following read and write operations:

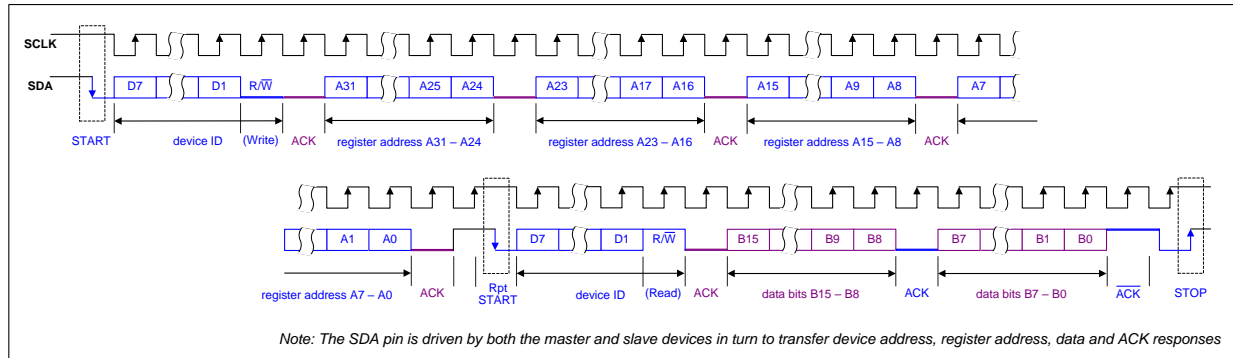
- Single write
- Single read
- Multiple write (with optional auto-increment)
- Multiple read (with optional auto-increment)

The sequence of signals associated with a single register write operation is illustrated in Figure 72.



**Figure 72 Control Interface 2-wire (I2C) Register Write**

The sequence of signals associated with a single register read operation is illustrated in Figure 73.



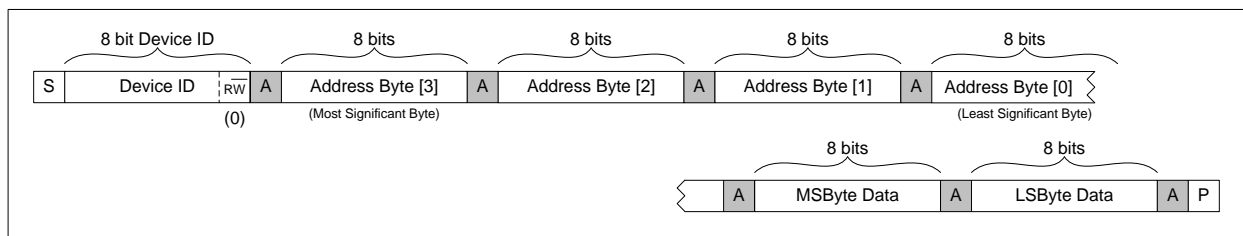
**Figure 73 Control Interface 2-wire (I2C) Register Read**

The Control Interface also supports other register operations, as listed above. The interface protocol for these operations is summarised below. The terminology used in the following figures is detailed in Table 115.

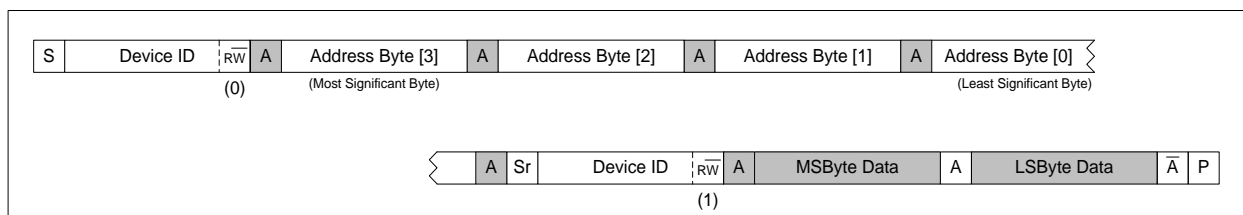
Note that, for multiple write and multiple read operations, the auto-increment option may be enabled. The I2C multiple transfers illustrated below assume that "auto-increment by 1" is selected in each case. Auto-increment is enabled by default, as noted in Table 113.

TERMINOLOGY		DESCRIPTION
S		Start Condition
Sr		Repeated start
A		Acknowledge (SDA Low)
$\bar{A}$		Not Acknowledge (SDA High)
P		Stop Condition
R/W	ReadNotWrite	0 = Write 1 = Read
[White field]		Data flow from bus master to WM8281
[Grey field]		Data flow from WM8281 to bus master

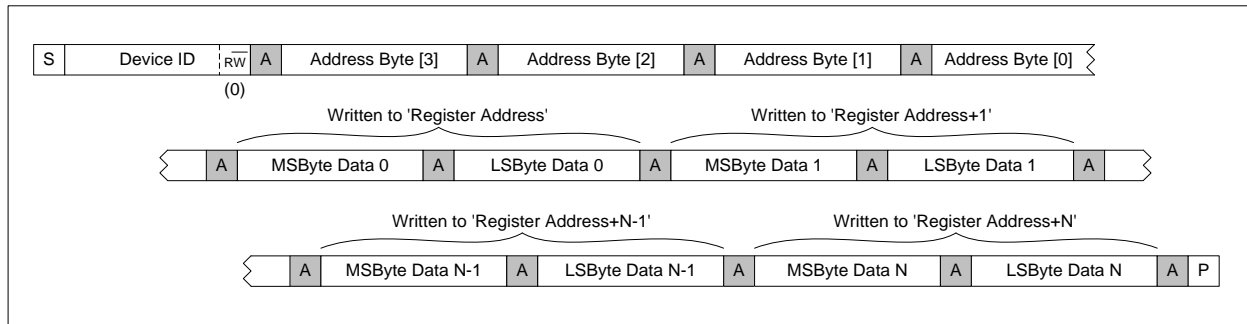
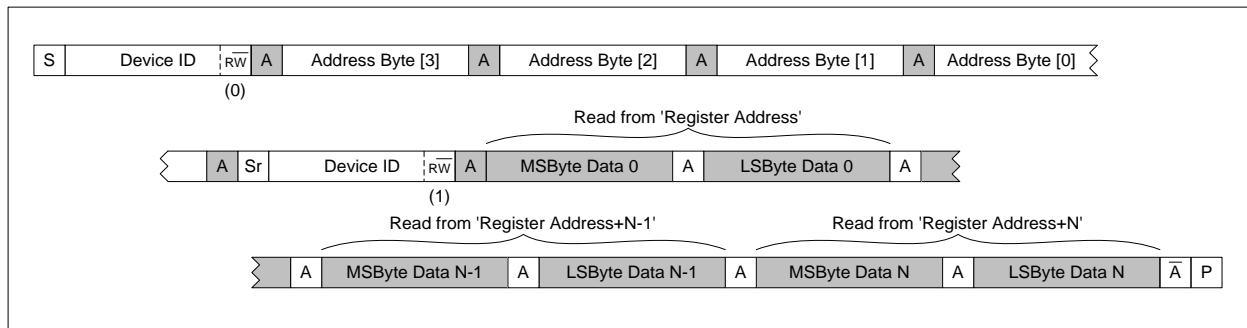
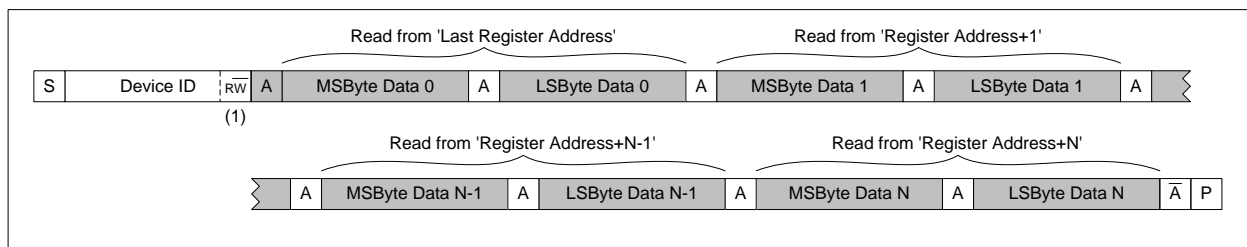
**Table 115 Control Interface (I2C) Terminology**



**Figure 74 Single Register Write to Specified Address**



**Figure 75 Single Register Read from Specified Address**


**Figure 76 Multiple Register Write to Specified Address using Auto-increment**

**Figure 77 Multiple Register Read from Specified Address using Auto-increment**

**Figure 78 Multiple Register Read from Last Address using Auto-increment**

Continuous read and write modes enable multiple register operations to be scheduled faster than is possible with single register operations. The auto-increment function supports selectable address increments for each successive register access. This function is controlled using the I2Cn\_AUTO\_INC registers (where 'n' identifies the associated interface, CIF1 or CIF2). Auto-increment (by 1) is enabled by default, as described in Table 113.

## 4-WIRE (SPI) CONTROL MODE

The 4-wire (SPI) Control Interface mode is supported on CIF1 only, and uses the corresponding SS, SCLK, MOSI and MISO pins.

The MISO output pin can be configured as CMOS or 'Wired OR', as described in Table 113. In CMOS mode, MISO is driven low when not outputting register data bits. In 'Wired OR' mode, MISO is undriven (high impedance) when not outputting register data bits.

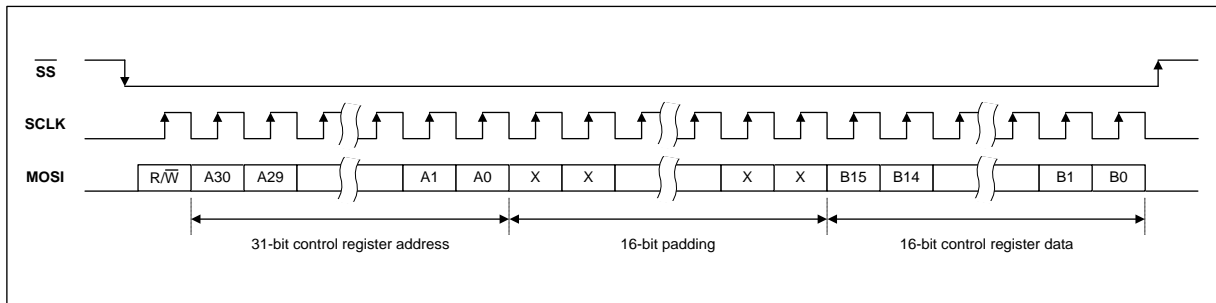
In Write operations (R/W=0), all MOSI bits are driven by the controlling device.

In Read operations (R/W=1), the MOSI pin is ignored following receipt of the valid register address. MISO is driven by the WM8281.

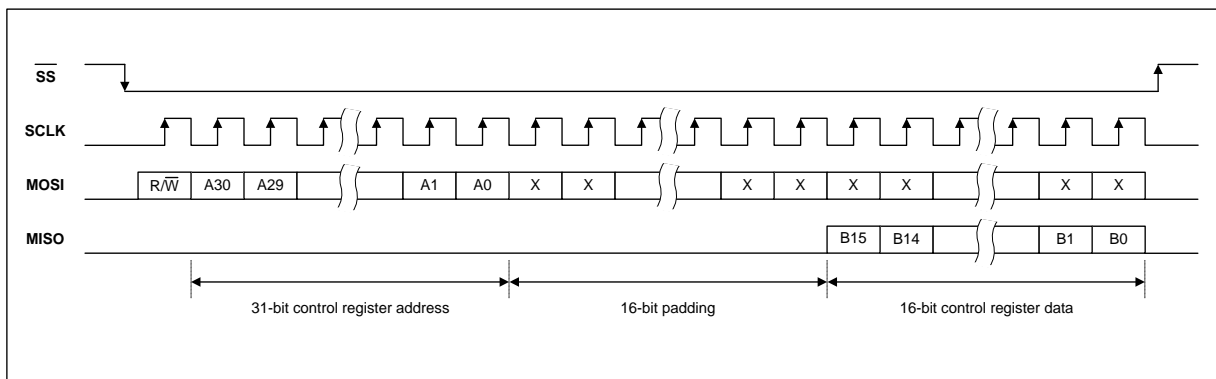
Continuous read and write modes enable multiple register operations to be scheduled faster than is possible with single register operations. The auto-increment function supports selectable address increments for each successive register access. This function is controlled using the SPI\_AUTO\_INC register. Auto-increment (by 1) is enabled by default, as described in Table 113.

When auto-increment is enabled, the WM8281 will increment the register address at the end of the sequences illustrated below, and every 16 clock cycles thereafter, for as long as SS is held low and SCLK is toggled. Successive data words can be input/output every 16 clock cycles.

The 4-wire (SPI) protocol is illustrated in Figure 79 and Figure 80.



**Figure 79 Control Interface 4-wire (SPI) Register Write**



**Figure 80 Control Interface 4-wire (SPI) Register Read**



## CONTROL WRITE SEQUENCER

The Control Write Sequencer is a programmable unit that forms part of the WM8281 control interface logic. It provides the ability to perform a sequence of register write operations with the minimum of demands on the host processor - the sequence may be initiated by a single operation from the host processor and then left to execute independently.

Default sequences for pop-suppressed start-up and shut-down of each headphone/earpiece output driver are provided (these are scheduled automatically when the respective output paths are enabled or disabled). Other control sequences can be programmed, and may be associated with Jack Detect, MICDET Clamp, DRC, Wake-Up or Sample Rate Detection functions - these sequences are automatically scheduled whenever a corresponding event is detected.

When a sequence is initiated, the sequencer performs a series of pre-defined register writes. The 'start index' of a control sequence within the sequencer's memory may be commanded directly by the host processor. The applicable 'start index' for each of the sequences associated with Jack Detect, MICDET Clamp, DRC, Wake-Up or Sample Rate Detection is held in a user-programmed control register.

The Control Write Sequencer may be triggered in a number of ways, as described above. Multiple sequences will be queued if necessary, and each is scheduled in turn. When all of the queued sequences have completed, the sequencer stops, and an Interrupt status flag is asserted.

A valid clock (SYSCLK) must be enabled whenever a Control Write Sequence is scheduled. See "Clocking and Sample Rates" for further details.

### INITIATING A SEQUENCE

The Register fields associated with running the Control Write Sequencer are described in Table 116.

The Write Sequencer is enabled using the WSEQ\_ENA bit. The index location of the first command in the selected sequence is held in the WSEQ\_START\_INDEX register.

Writing a '1' to the WSEQ\_START bit commands the sequencer to execute a control sequence, starting at the given index. Note that, if the sequencer is already running, then the WSEQ\_START command will be queued, and will be executed later when the sequencer becomes available.

Note that the mechanism for queuing multiple sequence requests has some limitations, when using the WSEQ\_START bit to trigger the write sequencer. If a sequence is initiated using the WSEQ\_START bit, no other control sequences should be triggered until the sequence completes. The WSEQ\_BUSY bit (described in Table 121) provides an indication of the sequencer status, and can be used to confirm that sequence has completed. Control sequences triggered by another other method are queued if necessary, and scheduled in turn.

The Write Sequencer can be interrupted by writing a '1' to the WSEQ\_ABORT bit. Note that this command will only abort a sequence that is currently running; if other sequence commands are pending and not yet started, these sequences will not be aborted by writing to the WSEQ\_ABORT bit.

The Write Sequencer stores up to 510 register write commands. These are defined in Registers R12288 (3000h) to R13307 (33FBh). Each of the 510 possible commands is defined in 2 control registers - see Table 122 for a description of these registers.

REGISTER ADDRESS	BIT	LABEL	DEFAULT	DESCRIPTION
R22 (0016h) Write Sequencer Ctrl 0	11	WSEQ_ABORT	0	Writing a 1 to this bit aborts the current sequence.
	10	WSEQ_START	0	Writing a 1 to this bit starts the write sequencer at the index location selected by WSEQ_START_INDEX. At the end of the sequence, this bit will be reset by the Write Sequencer.
	9	WSEQ_ENA	0	Write Sequencer Enable 0 = Disabled 1 = Enabled Only applies to sequences triggered using the WSEQ_START bit.

REGISTER ADDRESS	BIT	LABEL	DEFAULT	DESCRIPTION
	8:0	WSEQ_START_INDEX [8:0]	000h	Sequence Start Index This field contains the index location in the sequencer memory of the first command in the selected sequence. Only applies to sequences triggered using the WSEQ_START bit. Valid from 0 to 509 (1FDh).

**Table 116 Write Sequencer Control - Initiating a Sequence**

### AUTOMATIC SAMPLE RATE DETECTION SEQUENCES

The WM8281 supports automatic sample rate detection on the digital audio interfaces (AIF1, AIF2 and AIF3), when operating in AIF Slave mode. Automatic sample rate detection is enabled using the RATE\_EST\_ENA register bit (see Table 101).

Up to four audio sample rates can be configured for automatic detection; these sample rates are selected using the SAMPLE\_RATE\_DETECT\_n registers. If one of the selected audio sample rates is detected, then the Control Write Sequencer will be triggered. The applicable start index location within the sequencer memory is separately configurable for each detected sample rate.

The WSEQ\_SAMPLE\_RATE\_DETECT\_A\_INDEX register defines the sequencer start index corresponding to the SAMPLE\_RATE\_DETECT\_A sample rate. Equivalent start index values are defined for the other sample rates, as described in Table 117.

Note that a sequencer start index of 1FFh will cause the respective sequence to be aborted.

The automatic sample rate detection control sequences are undefined following Power-On Reset (POR), but can be user-programmed after power-up. Note that all control sequences are maintained in the sequencer memory through Hardware Reset, Software Reset and in Sleep mode.

See “Clocking and Sample Rates” for further details of the automatic sample rate detection function.

REGISTER ADDRESS	BIT	LABEL	DEFAULT	DESCRIPTION
R97 (0061h) Sample Rate Sequence Select 1	8:0	WSEQ_SAMPLE_RATE_DETECT_A_INDEX [8:0]	1FFh	Sample Rate A Write Sequence start index This field contains the index location in the sequencer memory of the first command in the sequence associated with Sample Rate A detection. Valid from 0 to 509 (1FDh)
R98 (0062h) Sample Rate Sequence Select 2	8:0	WSEQ_SAMPLE_RATE_DETECT_B_INDEX [8:0]	1FFh	Sample Rate B Write Sequence start index This field contains the index location in the sequencer memory of the first command in the sequence associated with Sample Rate B detection. Valid from 0 to 509 (1FDh)
R99 (0063h) Sample Rate Sequence Select 3	8:0	WSEQ_SAMPLE_RATE_DETECT_C_INDEX [8:0]	1FFh	Sample Rate C Write Sequence start index This field contains the index location in the sequencer memory of the first command in the sequence associated with Sample Rate C detection. Valid from 0 to 509 (1FDh)
R100 (0064h) Sample Rate Sequence Select 4	8:0	WSEQ_SAMPLE_RATE_DETECT_D_INDEX [8:0]	1FFh	Sample Rate D Write Sequence start index This field contains the index location in the sequencer memory of the first command in the sequence associated with Sample Rate D detection. Valid from 0 to 509 (1FDh)

**Table 117 Write Sequencer Control - Automatic Sample Rate Detection**

### JACK DETECT, GPIO, MICDET CLAMP, AND WAKE-UP SEQUENCES

The WM8281 supports external accessory detection and GPIO functions. The JD1 signal (associated with external accessory detection) and the GP5 signal (associated with the GPIO5 pin) can be used to trigger the Control Write Sequencer.

The JD1 signal is configured using the register bits described in Table 75. The GP5 signal is derived from the GPIO5 pin, which is configured using the register bits described in Table 86.

The MICDET Clamp is controlled by the JD1 and/or GP5 signals, as described in Table 76. The MICDET Clamp status can also be used to trigger the Control Write Sequencer.

A Control Write Sequence can be associated with a rising edge and/or a falling edge of the JD1, GP5 or MICDET Clamp. This is configured using the register bits described in Table 85.

If one of the selected logic conditions is detected, the Control Write Sequencer will be triggered. The applicable start index location within the sequencer memory is separately configurable for each logic condition.

The WSEQ\_GP5\_RISE\_INDEX register defines the sequencer start index corresponding to a GP5 Rising Edge event. Equivalent start index values are defined for the other logic conditions, as described in Table 118.

Note that a sequencer start index of 1FFh will cause the respective sequence to be aborted.

The JD1, GP5 and MICDET Clamp control sequences are undefined following Power-On Reset (POR), but can be user-programmed after power-up. Note that all control sequences are maintained in the sequencer memory through Hardware Reset, Software Reset and in Sleep mode.

See “Low Power Sleep Configuration” for further details of the JD1, GP5 and MICDET Clamp status signals. See also “General Purpose Input / Output” for details of the GPIO5 pin.

REGISTER ADDRESS	BIT	LABEL	DEFAULT	DESCRIPTION
R102 (0066h) Always On Triggers Sequence Select 1	8:0	WSEQ_MICD_CL AMP_RISE_INDE X [8:0]	1FFh	MICDET Clamp (Rising) Write Sequence start index This field contains the index location in the sequencer memory of the first command in the sequence associated with MICDET Clamp (Rising) detection. Valid from 0 to 509 (1FDh)
R103 (0067h) Always On Triggers Sequence Select 2	8:0	WSEQ_MICD_CL AMP_FALL_INDE X [8:0]	1FFh	MICDET Clamp (Falling) Write Sequence start index This field contains the index location in the sequencer memory of the first command in the sequence associated with MICDET Clamp (Falling) detection. Valid from 0 to 509 (1FDh)
R104 (0068h) Always On Triggers Sequence Select 3	8:0	WSEQ_GP5_RIS E_INDEX [8:0]	1FFh	GP5 (Rising) Write Sequence start index This field contains the index location in the sequencer memory of the first command in the sequence associated with GP5 (Rising) detection. Valid from 0 to 509 (1FDh)
R105 (0069h) Always On Triggers Sequence Select 4	8:0	WSEQ_GP5_FAL L_INDEX [8:0]	1FFh	GP5 (Falling) Write Sequence start index This field contains the index location in the sequencer memory of the first command in the sequence associated with GP5 (Falling) detection. Valid from 0 to 509 (1FDh)
R106 (006Ah) Always On Triggers Sequence Select 5	8:0	WSEQ_JD1_RIS E_INDEX [8:0]	1FFh	JD1 (Rising) Write Sequence start index This field contains the index location in the sequencer memory of the first command in the sequence associated with JD1 (Rising) detection. Valid from 0 to 509 (1FDh)

REGISTER ADDRESS	BIT	LABEL	DEFAULT	DESCRIPTION
R107 (006Bh) Always On Triggers Sequence Select 6	8:0	WSEQ_JD1_FAL L_INDEX [8:0]	1FFh	JD1 (Falling) Write Sequence start index This field contains the index location in the sequencer memory of the first command in the sequence associated with JD1 (Falling) detection. Valid from 0 to 509 (1FDh)

**Table 118 Write Sequencer Control - JD1, GP5 and MICDET Clamp**

A valid clock (SYSCLK) must be enabled whenever a Control Write Sequence is scheduled.

If the JD1, GP5 or MICDET Clamp trigger status bits are associated with the Control Write Sequencer (using the register bits in Table 85) and also configured as Wake-Up events (using the register bits in Table 84), then the Boot Sequence must be programmed to configure and enable SYSCLK. (Note that the default SYSCLK frequency must be used in this case.)

The Boot Sequence (see below) is scheduled as part of the Wake-Up transition, and provides the capability to configure SYSCLK (and other register settings) prior to the Control Write Sequencer being triggered.

Note that, if the Control Write Sequencer is triggered during normal operation, then SYSCLK will typically be already available, and no additional requirements will apply.

### DRC SIGNAL DETECT SEQUENCES

The Dynamic Range Control (DRC) function within the WM8281 Digital Core provides a configurable signal detect function. This allows the signal level at the DRC input to be monitored and used to trigger other events.

The DRC Signal Detect functions are enabled and configured using the register fields described in Table 15 and Table 16 for DRC1 and DRC2 respectively.

A Control Write Sequence can be associated with a rising edge and/or a falling edge of the DRC1 Signal Detect output. This is enabled using the DRC1\_WSEQ\_SIG\_DET\_ENA register bit.

Note that signal detection is supported on DRC1 and DRC2, but the triggering of the Control Write Sequencer is available on DRC1 only.

When the DRC Signal Detect sequence is enabled, the Control Write Sequencer will be triggered whenever the DRC1 Signal Detect output transitions (high or low). The applicable start index location within the sequencer memory is separately configurable for each logic condition.

The WSEQ\_DRC1\_SIG\_DET\_RISE\_SEQ\_INDEX register defines the sequencer start index corresponding to a DRC1 Signal Detect Rising Edge event, as described in Table 119. The WSEQ\_DRC1\_SIG\_DET\_FALL\_SEQ\_INDEX register defines the sequencer start index corresponding to a DRC1 Signal Detect Falling Edge event.

Note that a sequencer start index of 1FFh will cause the respective sequence to be aborted.

The DRC Signal Detect sequences cannot be independently enabled for rising and falling edges. Instead, a start index of 1FFh can be used to disable the sequence for either edge, if required.

The DRC Signal Detect control sequences are undefined following Power-On Reset (POR), but can be user-programmed after power-up. Note that all control sequences are maintained in the sequencer memory through Hardware Reset, Software Reset and in Sleep mode.

See "Digital Core" for further details of the Dynamic Range Control (DRC) function.

REGISTER ADDRESS	BIT	LABEL	DEFAULT	DESCRIPTION
R110 (006Eh) Trigger Sequence Select 32	8:0	WSEQ_DRC1_SIG_DET_RISE_IN DEX [8:0]	1FFh	DRC1 Signal Detect (Rising) Write Sequence start index This field contains the index location in the sequencer memory of the first command in the sequence associated with DRC1 Signal Detect (Rising) detection. Valid from 0 to 509 (1FDh).
R111 (006Fh) Trigger Sequence Select 33	8:0	WSEQ_DRC1_SIG_DET_FALL_IN DEX [8:0]	1FFh	DRC1 Signal Detect (Falling) Write Sequence start index This field contains the index location in the sequencer memory of the first command in the sequence associated with DRC1 Signal Detect (Falling) detection. Valid from 0 to 509 (1FDh).

**Table 119 Write Sequencer Control - DRC Signal Detect**

### BOOT SEQUENCE

The WM8281 executes a Boot Sequence following Power-On Reset (POR), Hardware Reset, Software Reset or Wake-Up (from Sleep mode).

See “Power-On Reset (POR)” and “Hardware Reset, Software Reset, Wake-Up, and Device ID” for further details.

The Boot Sequence configures the WM8281 with factory-set trim (calibration) data. Space is allocated within the Boot Sequence memory to allow user-configurable register operations to be added (eg. to automatically enable SYSCLK as part of the Boot Sequence). Further details of the sequencer memory are provided later in this section. Note that all control sequences are maintained in the sequencer memory through Hardware Reset, Software Reset and in Sleep mode.

If the Boot Sequence is programmed to enable SYSCLK, note that the default SYSCLK frequency must be used. If a different SYSCLK frequency is required, this must be configured after the Boot Sequence has completed.

The start index location of the the Boot Sequence is 384 (180h). Index locations 384 (180h) to 399 (18Fh) are available for any user-configured Boot Sequence requirements.

The Boot Sequence can be commanded at any time by writing ‘1’ to the WSEQ\_BOOT\_START bit.

REGISTER ADDRESS	BIT	LABEL	DEFAULT	DESCRIPTION
R24 (0018h) Write Sequencer Ctrl 2	1	WSEQ_BOOT_START	0	Writing a 1 to this bit starts the write sequencer at the index location configured for the Boot Sequence. The Boot Sequence start index is 384 (180h).

**Table 120 Write Sequencer Control - Boot Sequence**

### SEQUENCER OUTPUTS AND READBACK

The status of the Write Sequencer can be read using the WSEQ\_BUSY and WSEQ\_CURRENT\_INDEX registers, as described in Table 121.

When the WSEQ\_BUSY bit is asserted, this indicates that the Write Sequencer is busy.

The index address of the most recent Write Sequencer command can be read from the WSEQ\_CURRENT\_INDEX field. This can be used to provide a precise indication of the Write Sequencer progress.

REGISTER ADDRESS	BIT	LABEL	DEFAULT	DESCRIPTION
R23 (0017h) Write Sequencer Ctrl 1	9	WSEQ_BUSY (read only)	0	Sequencer Busy flag (Read Only). 0 = Sequencer idle 1 = Sequencer busy
	8:0	WSEQ_CURREN T_INDEX [8:0] (read only)	000h	Sequence Current Index. This indicates the memory location of the most recently accessed command in the write sequencer memory. Coding is the same as WSEQ_START_INDEX.

**Table 121 Write Sequencer Control - Status Readback**

The Write Sequencer status is an input to the Interrupt control circuit and can be used to trigger an Interrupt event - see "Interrupts".

The Write Sequencer status can be output directly on a GPIO pin as an external indication of the Write Sequencer. See "General Purpose Input / Output" to configure a GPIO pin for this function.

### PROGRAMMING A SEQUENCE

A Control Write Sequence comprises a series of write operations to data bits (or groups of bits) within the control register map. Each write operation is defined by a block of 2 registers, each containing 5 fields, as described below.

The block of 2 registers is replicated 510 times, defining each of the sequencer's 510 possible index addresses. Many sequences can be stored in the sequencer memory at the same time, with each assigned a unique range of index addresses.

The WSEQ\_DELAY $n$  register is used to identify the 'end of sequence' position, as described below.

Note that, in the following descriptions, the term ' $n$ ' denotes the sequencer index address (valid from 0 to 509).

WSEQ\_DATA\_WIDTH $n$  is a 3-bit field which identifies the width of the data block to be written. Note that the maximum value of this field selects a width of 8-bits; writing to register fields greater than 8 bits wide must be performed using two separate operations of the Write Sequencer.

WSEQ\_ADDR $n$  is a 13-bit field containing the register address in which the data should be written.

WSEQ\_DELAY $n$  is a 4-bit field which controls the waiting time between the current step and the next step in the sequence (ie. the delay occurs after the write in which it was called). The total delay time per step (including execution) is defined below, giving a useful range of execution/delay times from 3.3 $\mu$ s up to 1s per step. Setting this field to 0xF identifies the step as the last in the sequence.

If WSEQ\_DELAY $n$  = 0h or Fh, the step execution time is 3.3 $\mu$ s

For all other values, the step execution time is 61.44 $\mu$ s  $\times$  ((2<sup>WSEQ\_DELAY</sup>) - 1)

WSEQ\_DATA\_START $n$  is a 4-bit field which identifies the LSB position within the selected control register to which the data should be written. For example, setting WSEQ\_DATA\_START $n$  = 0100 will select bit 4 as the LSB position of the data to be written.

WSEQ\_DATA $n$  is an 8-bit field which contains the data to be written to the selected control register. The WSEQ\_DATA\_WIDTH $n$  field determines how many of these bits are written to the selected control register; the most significant bits (above the number indicated by WSEQ\_DATA\_WIDTH $n$ ) are ignored.

The register definitions for Step 0 are described in Table 122. The equivalent definitions also apply to Step 1 through to Step 509, in the subsequent register address locations.

REGISTER ADDRESS	BIT	LABEL	DEFAULT	DESCRIPTION
R12288 (3000h) WSEQ Sequence 1	15:13	WSEQ_DATA_WIDTH0 [2:0]	000	Width of the data block written in this sequence step. 000 = 1 bit 001 = 2 bits 010 = 3 bits 011 = 4 bits 100 = 5 bits 101 = 6 bits 110 = 7 bits 111 = 8 bits
	12:0	WSEQ_ADDR0 [12:0]	0000h	Control Register Address to be written to in this sequence step.
R12289 (3001h) WSEQ Sequence 2	15:12	WSEQ_DELAY0 [3:0]	0000	Time delay after executing this step. 00h = 3.3us 01h to 0Eh = 61.44us x ((2^WSEQ_DELAY)-1) 0Fh = End of sequence marker
	11:8	WSEQ_DATA_START0 [3:0]	0000	Bit position of the LSB of the data block written in this sequence step. 0000 = Bit 0 ... 1111 = Bit 15
	7:0	WSEQ_DATA0 [7:0]	00h	Data to be written in this sequence step. When the data width is less than 8 bits, then one or more of the MSBs of WSEQ_DATA <sub>n</sub> are ignored. It is recommended that unused bits be set to 0.

**Table 122 Write Sequencer Control - Programming a Sequence**

## SEQUENCER MEMORY DEFINITION

The Write Sequencer memory defines up to 510 write operations; these are indexed as 0 to 509 in the sequencer memory map.

Following Power-On Reset (POR), the sequence memory will contain the Boot Sequence, and the OUT1, OUT2, OUT3, OUT4 signal path enable/disable sequences. The remainder of the sequence memory will be undefined on power-up. See the "Applications Information" section for a summary of the WM8281 memory reset conditions.

User-defined sequences can be programmed after power-up. Note that all control sequences are maintained in the sequencer memory through Hardware Reset, Software Reset and in Sleep mode.

The default control sequences can be overwritten in the sequencer memory, if required. Note that the headphone and earpiece output path enable registers (HP<sub>n</sub>\_ENA, SPKOUT<sub>x</sub>\_ENA) will always trigger the Write Sequencer (at the pre-determined start index addresses).

Writing '1' to the WSEQ\_LOAD\_MEM bit will clear the sequencer memory to the POR state.

REGISTER ADDRESS	BIT	LABEL	DEFAULT	DESCRIPTION
R24 (0018h) Write Sequencer Ctrl 2	0	WSEQ_LOAD_MEM	0	Writing a 1 to this bit resets the sequencer memory to the POR state.

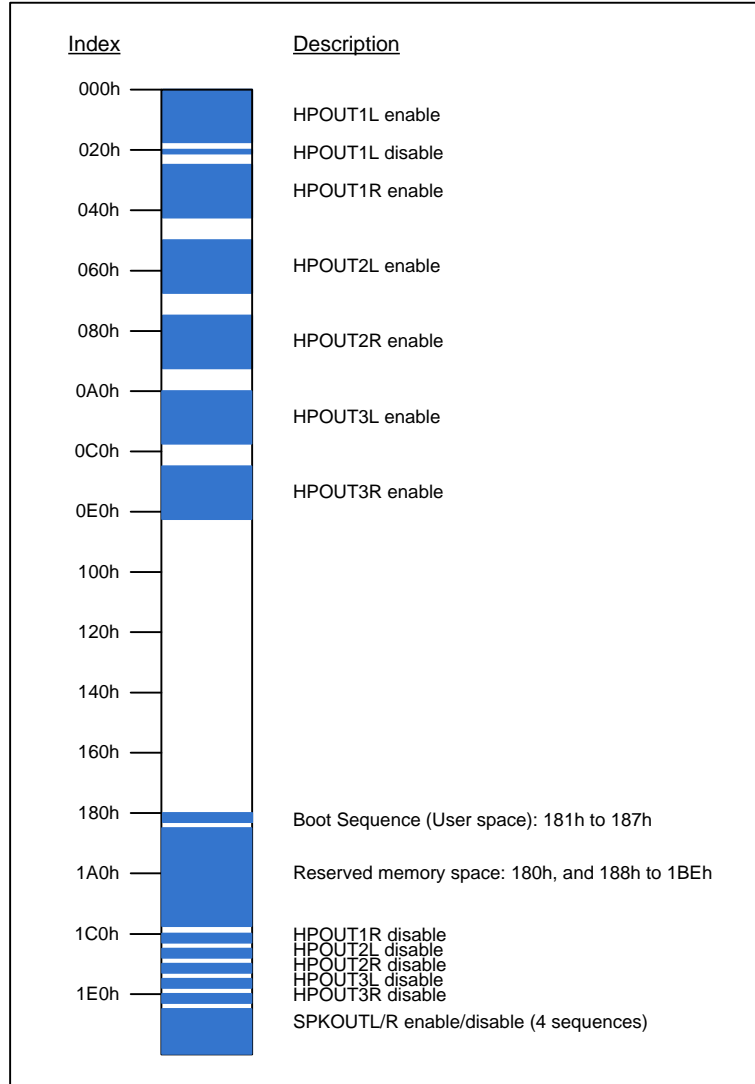
**Table 123 Write Sequencer Control - Load Memory Control**

User-defined sequences must be assigned space within the Write Sequencer memory. The start index for the user-defined sequences is configured using the registers described in Table 117 and Table 118.

The start index location of the the Boot Sequence is 384 (180h), as shown in Table 120. Index locations

385 (181h) to 391 (187h) are available for any user-configured Boot Sequence requirements. The remainder of the Boot Sequence memory (including index location 384) should not be written to.

The sequencer memory is illustrated in Figure 81. The pre-programmed sequencer index locations are highlighted. User-defined sequences should be programmed in other areas of the sequencer memory.



**Figure 81 Write Sequencer Memory**



Further details of the pre-programmed sequencer index locations are provided in Table 124.

SEQUENCE NAME	START INDEX	DEFAULT SEQUENCE INDEX RANGES
HPOUT1L Enable	0 (000h)	0 to 30
HPOUT1L Disable	31 (01Fh)	31 to 38
HPOUT1R Enable	40 (028h)	40 to 70
HPOUT1R Disable	447 (1BFh)	447 to 454
HPOUT2L Enable	80 (050h)	80 to 110
HPOUT2L Disable	455 (1C7h)	455 to 462
HPOUT2R Enable	120 (078h)	120 to 150
HPOUT2R Disable	463 (1CFh)	463 to 470
HPOUT3L Enable	160 (0A0h)	160 to 190
HPOUT3L Disable	471 (1D7h)	471 to 478
HPOUT3R Enable	200 (0C8h)	200 to 230
HPOUT3R Disable	479 (1DFh)	479 to 486
SPKOUTL Enable	490 (1EAh)	490 to 497
SPKOUTL Disable	487 (1E7h)	487 to 489
SPKOUTR Enable	498 (1F2h)	498 to 505
SPKOUTR Disable	507 (1FBh)	507 to 509
Boot Sequence	384 (180h)	384 (Reserved) 385 to 391 (User space) 392 to 446 (Reserved)

**Table 124 Default Sequencer Memory Allocation**

## CHARGE PUMPS, REGULATORS AND VOLTAGE REFERENCE

The WM8281 incorporates two Charge Pump circuits and two LDO Regulator circuits to generate supply rails for internal functions and to support external microphone requirements. The WM8281 also provides three MICBIAS generators which provide low noise reference voltages suitable for biasing electret condenser (ECM) type microphones or powering digital microphones.

Refer to the “Applications Information” section for recommended external components.

### CHARGE PUMPS AND LDO2 REGULATOR

Charge Pump 1 (CP1) is used to generate the positive and negative supply rails for the analogue output drivers. CP1 is enabled automatically by the WM8281 when required by the output drivers.

Charge Pump 2 (CP2) powers LDO2, which provides the supply rail for analogue input circuits and for the MICBIAS generators. CP2 and LDO2 are enabled using the CP2\_ENA register bit.

The 32kHz clock must be configured and enabled when using CP2. See “Clocking and Sample Rates” for details of the system clocks.

When CP2 and LDO2 are enabled, the MICVDD voltage can be selected using the LDO2\_VSEL control field. Note that, when one or more of the MICBIAS generators is operating in normal (regulator) mode, then the MICVDD voltage must be at least 200mV greater than the highest selected MICBIAS<sub>n</sub> output voltage(s).

When CP2 and LDO2 are enabled, an internal bypass path may be selected, connecting the MICVDD pin directly to the CPVDD supply. This path is controlled using the CP2\_BYPASS register. Note that the bypass path is only supported when CP2 is enabled.

When CP2 is disabled, the CP2VOUT pin can be configured to be floating or to be actively discharged. This is selected using the CP2\_DISCH register bit.

When LDO2 is disabled, the MICVDD pin can be configured to be floating or to be actively discharged. This is selected using the LDO2\_DISCH register bit.

The MICVDD pin is connected to the output of LDO2. Note that the MICVDD does not support direct connection to an external supply; MICVDD is always powered internally to the WM8281.

The Charge Pumps and LDO2 Regulator circuits are illustrated in Figure 82. The associated register control bits are described in Table 125.

Note that decoupling capacitors and flyback capacitors are required for these circuits. Refer to the “Applications Information” section for recommended external components.

### MICROPHONE BIAS (MICBIAS) CONTROL

There are three MICBIAS generators which provide low noise reference voltages suitable for biasing electret condenser (ECM) type microphones or powering digital microphones. Refer to the “Applications Information” section for recommended external components.

The MICBIAS generators are powered from MICVDD, which is generated by an internal Charge Pump and LDO, as illustrated in Figure 82.

The MICBIAS outputs can be independently enabled using the MICB $n$ \_ENA register bits (where  $n = 1, 2$  or  $3$  for MICBIAS1, 2 or 3 respectively).

When a MICBIAS output is disabled, the output pin can be configured to be floating or to be actively discharged. This is selected using the MICB $n$ \_DISCH register bits.

The MICBIAS generators can each operate as a voltage regulator or in bypass mode. The applicable mode is selected using the MICB $n$ \_BYPASS registers.

In Regulator mode, the output voltage is selected using the MICB $n$ \_LVL register bits. In this mode, MICVDD must be at least 200mV greater than the required MICBIAS output voltages. The MICBIAS outputs are powered from the MICVDD pin, and use the internal bandgap circuit as a reference.

In Regulator mode, the MICBIAS regulators are designed to operate without external decoupling capacitors. The regulators can be configured to support a capacitive load if required, using the MICB $n$ \_EXT\_CAP register bits. (This may be appropriate for a digital microphone supply.) It is important that the external capacitance is compatible with the applicable MICB $n$ \_EXT\_CAP setting. The compatible load conditions are detailed in the “Electrical Characteristics” section.

In Bypass mode, the output pin (MICBIAS1, MICBIAS2 or MICBIAS3) is connected directly to MICVDD. This enables a low power operating state. Note that the MICB $n$ \_EXT\_CAP register settings are not applicable in Bypass mode; there are no restrictions on the external MICBIAS capacitance in Bypass mode.

The MICBIAS generators incorporate a pop-free control circuit to ensure smooth transitions when the MICBIAS outputs are enabled or disabled in Bypass mode; this feature is enabled using the MICB $n$ \_RATE registers.

The MICBIAS generators are illustrated in Figure 82. The MICBIAS control register bits are described in Table 125.

The maximum output current for each MICBIAS $n$  pin is noted in the “Electrical Characteristics”. This limit must be observed on each MICBIAS output, especially if more than one microphone is connected to a single MICBIAS pin. Note that the maximum output current differs between Regulator mode and Bypass mode.

### VOLTAGE REFERENCE CIRCUIT

The WM8281 incorporates a voltage reference circuit, powered by AVDD. This circuit ensures the accuracy of the LDO Regulator and MICBIAS voltage settings.

## LDO1 REGULATOR AND DCVDD SUPPLY

The LDO1 voltage regulator is intended for generating the DCVDD domain, which powers the digital core functions on the WM8281. In this configuration, the LDO output (LDOVOUT) should be connected to the DCVDD pin. Note that the use of the LDO1 regulator to power external circuits cannot be supported by the WM8281.

LDO1 is powered by LDOVDD and can be controlled using hardware or software controls. Note that, depending on the application requirements, it may be necessary to use both the hardware and software enables for LDO1, as described below.

Under hardware control, LDO1 is enabled when a logic '1' is applied to the LDOENA pin. The logic level is determined with respect to the DBVDD1 voltage domain. LDO1 is also enabled when the LDO1\_ENA software control register is set to 1. Note that, to disable LDO1, the hardware and software controls must both be de-asserted.

When LDO1 is enabled, the LDOVOUT voltage can be selected using the LDO1\_VSEL control field. Note that the default output voltage should always be used for normal operation. For correct Sleep mode behaviour, the LDOVOUT voltage should be reduced to 1.175V immediately before entering Sleep mode. See Table 125 for further details. See also "Low Power Sleep Configuration".

When LDO1 is disabled, the LDOVOUT pin can be configured to be floating or to be actively discharged. This is selected using the LDO1\_DISCH register bit.

It is possible to supply DCVDD from an external supply. In this configuration, the LDOVOUT pin should be left floating; it must not be connected to the DCVDD pin. The LDO1 regulator is not used in this case, and must be disabled at all times.

For recommended use of the Sleep / Wake-Up functions (see "Low Power Sleep Configuration"), it is assumed that DCVDD is powered from the output of LDO1. In this case, Sleep mode is selected when LDO1 is disabled, causing the DCVDD supply to be removed. Note that the AVDD, DBVDD1, and LDOVDD supplies must be present throughout the Sleep mode duration.

If DCVDD is powered externally (not from LDO1), then the ISOLATE\_DCVDD1 register bit must be controlled as described in Table 125 when selecting WM8281 Sleep mode. In this case, Sleep mode is selected by setting the ISOLATE\_DCVDD1 register bit, and then removing the DCVDD supply. For applications where DCVDD is powered externally, only the AVDD and DBVDD1 supplies are required in Sleep mode.

An internal pull-down resistor is enabled by default on the LDOENA pin. This is configurable using the LDO1ENA\_PD register bit. A pull-up resistor is also available, as described in Table 125. When the pull-up and pull-down resistors are both enabled, the WM8281 provides a 'bus keeper' function on the LDOENA pin. The bus keeper function holds the input logic level unchanged whenever the external circuit removes the drive (eg. if the signal is tri-stated).

If DCVDD is powered from LDO1, then a logic '1' must be applied to the LDOENA pin during power-up, to enable LDO1. The LDO must also be enabled using the LDOENA pin following a Hardware Reset or Software Reset, to allow the device to re-start. (It is recommended that the LDOENA pin is asserted before any reset, and is held at logic '1' until after the reset is complete; this ensures the DSP firmware memory contents can be retained, and also allows faster reset time.)

For normal operation following Power-On Reset (POR), Hardware Reset, or Software Reset, LDO1 must be enabled using the hardware or software controls described above. Note that when the LDO1\_ENA bit is set to 1, the LDOENA pin has no effect and may be de-asserted - the LDO is then under software control, allowing Sleep mode to be selected under register control, including via the Control Write Sequencer.

See "Power-On Reset (POR)" and "Hardware Reset, Software Reset, Wake-Up, and Device ID" for details of WM8281 Resets. See also "Low Power Sleep Configuration" for details of the Sleep / Wake-up functions.

The LDO1 Regulator circuit is illustrated in Figure 82. The associated register control bits are described in Table 125.

Note that the LDO output requires an external decoupling capacitor; this requirement is typically achieved via decoupling on the DCVDD pins. Refer to the "Applications Information" section for recommended external components.

**BLOCK DIAGRAM AND CONTROL REGISTERS**

The Charge Pump and Regulator circuits are illustrated in Figure 82. Note that decoupling capacitors and flyback capacitors are required for these circuits. Refer to the “Applications Information” section for recommended external components.

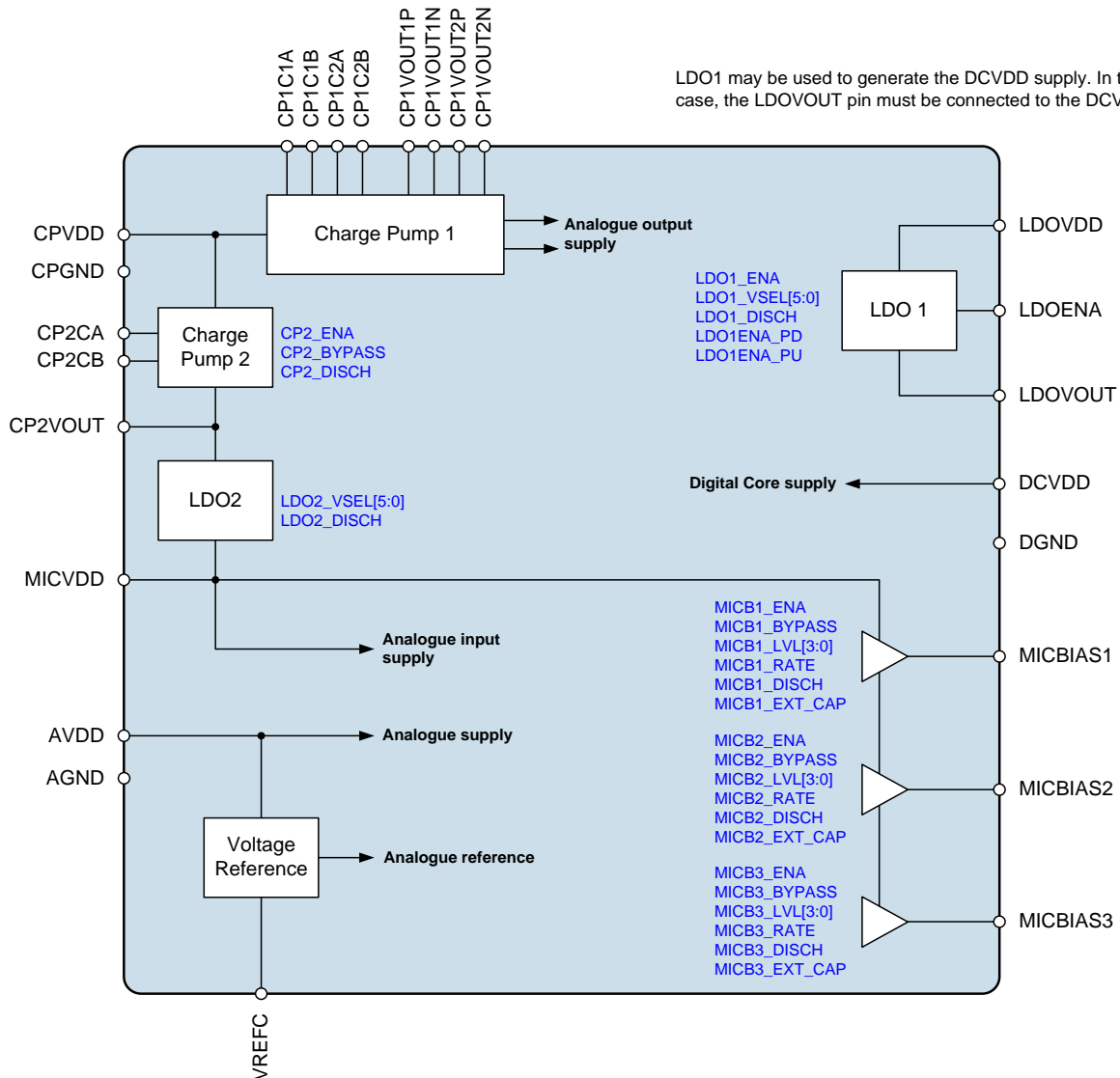


Figure 82 Charge Pumps and Regulators

REGISTER ADDRESS	BIT	LABEL	DEFAULT	DESCRIPTION
R512 (0200h) Mic Charge Pump 1	2	CP2_DISCH	1	Charge Pump 2 Discharge 0 = CP2VOUT floating when disabled 1 = CP2VOUT discharged when disabled
	1	CP2_BYPASS	1	Charge Pump 2 and LDO2 Bypass Mode 0 = Normal 1 = Bypass mode In Bypass mode, CPVDD is connected directly to MICVDD. Note that CP2_ENA must also be set.

REGISTER ADDRESS	BIT	LABEL	DEFAULT	DESCRIPTION
	0	CP2_ENA	1	Charge Pump 2 and LDO2 Control (Provides analogue input and MICVDD supplies) 0 = Disabled 1 = Enabled
R528 (0210h) LDO1 Control 1	10:5	LDO1_VSEL [5:0]	0Ch	LDO1 Output Voltage Select 0Bh = 1.175V 0Ch = 1.200V For normal operation, select 1.2V. For sleep mode, select 1.175V as the last register write before entering Sleep mode. Under recommended operating conditions, the LDO will return to 1.2V automatically following Wake-Up from Sleep mode. All other codes are Reserved
	2	LDO1_DISCH	1	LDO1 Discharge 0 = LDOVOUT floating when disabled 1 = LDOVOUT discharged when disabled
	0	LDO1_ENA	0	LDO1 Control 0 = Disabled 1 = Enabled
R531 (0213h) LDO2 Control 1	10:5	LDO2_VSEL [5:0]	1Fh	LDO2 Output Voltage Select 00h = 0.900V 01h = 0.925V 02h = 0.950V ... (25mV steps) 13h = 1.375V 14h = 1.400V 15h = 1.500V 16h = 1.600V ... (100mV steps) 26h = 3.200V 27h to 3Fh = 3.300V (See Table 126 for voltage range)
	2	LDO2_DISCH	1	LDO2 Discharge 0 = MICVDD floating when disabled 1 = MICVDD discharged when disabled
R536 (218h) Mic Bias Ctrl 1	15	MICB1_EXT_CAP	0	Microphone Bias 1 External Capacitor (when MICB1_BYPASS = 0). Configures the MICBIAS1 regulator according to the specified capacitance connected to the MICBIAS1 output. 0 = No external capacitor 1 = External capacitor connected
	8:5	MICB1_LVL [3:0]	7h	Microphone Bias 1 Voltage Control (when MICB1_BYPASS = 0) 0h = 1.5V 1h = 1.6V ... (0.1V steps) Ch = 2.7V Dh to Fh = 2.8V
	3	MICB1_RATE	0	Microphone Bias 1 Rate (Bypass mode) 0 = Fast start-up / shut-down 1 = Pop-free start-up / shut-down
	2	MICB1_DISCH	1	Microphone Bias 1 Discharge 0 = MICBIAS1 floating when disabled 1 = MICBIAS1 discharged when disabled

REGISTER ADDRESS	BIT	LABEL	DEFAULT	DESCRIPTION
	1	MICB1_BYPASS	1	Microphone Bias 1 Mode 0 = Regulator mode 1 = Bypass mode
	0	MICB1_ENA	0	Microphone Bias 1 Enable 0 = Disabled 1 = Enabled
R537 (219h) Mic Bias Ctrl 2	15	MICB2_EXT_CAP	0	Microphone Bias 2 External Capacitor (when MICB2_BYPASS = 0). Configures the MICBIAS2 regulator according to the specified capacitance connected to the MICBIAS2 output. 0 = No external capacitor 1 = External capacitor connected
	8:5	MICB2_LVL [3:0]	7h	Microphone Bias 2 Voltage Control (when MICB2_BYPASS = 0) 0h = 1.5V 1h = 1.6V ... (0.1V steps) Ch = 2.7V Dh to Fh = 2.8V
	3	MICB2_RATE	0	Microphone Bias 2 Rate (Bypass mode) 0 = Fast start-up / shut-down 1 = Pop-free start-up / shut-down
	2	MICB2_DISCH	1	Microphone Bias 2 Discharge 0 = MICBIAS2 floating when disabled 1 = MICBIAS2 discharged when disabled
	1	MICB2_BYPASS	1	Microphone Bias 2 Mode 0 = Regulator mode 1 = Bypass mode
	0	MICB2_ENA	0	Microphone Bias 2 Enable 0 = Disabled 1 = Enabled
	R538 (21Ah) Mic Bias Ctrl 3	15	MICB3_EXT_CAP	0
8:5		MICB3_LVL [3:0]	7h	Microphone Bias 3 Voltage Control (when MICB3_BYPASS = 0) 0h = 1.5V 1h = 1.6V ... (0.1V steps) Ch = 2.7V Dh to Fh = 2.8V
3		MICB3_RATE	0	Microphone Bias 3 Rate (Bypass mode) 0 = Fast start-up / shut-down 1 = Pop-free start-up / shut-down
2		MICB3_DISCH	1	Microphone Bias 3 Discharge 0 = MICBIAS3 floating when disabled 1 = MICBIAS3 discharged when disabled
1		MICB3_BYPASS	1	Microphone Bias 3 Mode 0 = Regulator mode 1 = Bypass mode

REGISTER ADDRESS	BIT	LABEL	DEFAULT	DESCRIPTION
	0	MICB3_ENA	0	Microphone Bias 3 Enable 0 = Disabled 1 = Enabled
R715 (02CBh) Isolation control	0	ISOLATE_DCVDD D1	0	Always-On power domain isolate control Set this bit to 1 to isolate the 'Always-On' domain from the DCVDD pin.  If DCVDD is powered externally (not from LDO1), this bit must be set before selecting Sleep mode (ie. before removing the external DCVDD supply). If DCVDD is powered from LDO1, then there is no requirement to set this bit. This bit is automatically reset to 0 following a Wake-up transition (from Sleep mode).
R3104 (0C20h) Misc Pad Ctrl 1	15	LDO1ENA_PD	1	LDOENA Pull-Down Control 0 = Disabled 1 = Enabled Note - when LDO1ENA_PD and LDO1ENA_PU are both set to '1', then a 'bus keeper' function is enabled on the LDOENA pin.
	14	LDO1ENA_PU	0	LDOENA Pull-Up Control 0 = Disabled 1 = Enabled Note - when LDO1ENA_PD and LDO1ENA_PU are both set to '1', then a 'bus keeper' function is enabled on the LDOENA pin.

**Table 125 Charge Pump and LDO Control Registers**

LDO2_VSEL [5:0]	LDO OUTPUT	LDO2_VSEL [5:0]	LDO OUTPUT	LDO2_VSEL [5:0]	LDO OUTPUT
00h	0.900V	10h	1.300V	20h	2.600V
01h	0.925V	11h	1.325V	21h	2.700V
02h	0.950V	12h	1.350V	22h	2.800V
03h	0.975V	13h	1.375V	23h	2.900V
04h	1.000V	14h	1.400V	24h	3.000V
05h	1.025V	15h	1.500V	25h	3.100V
06h	1.050V	16h	1.600V	26h	3.200V
07h	1.075V	17h	1.700V	27h	3.300V
08h	1.100V	18h	1.800V	28h to 3Fh	3.300V
09h	1.125V	19h	1.900V		
0Ah	1.150V	1Ah	2.000V		
0Bh	1.175V	1Bh	2.100V		
0Ch	1.200V	1Ch	2.200V		
0Dh	1.225V	1Dh	2.300V		
0Eh	1.250V	1Eh	2.400V		
0Fh	1.275V	1Fh	2.500V		

**Table 126 LDO2 Voltage Control**



---

## JTAG INTERFACE

The JTAG interface provides test and debug access to the WM8281 DSP core. The interface comprises 5 pins, as detailed below.

- TCK: Clock input
- TDI: Data input
- TDO: Data output
- TMS: Mode select input
- TRST: Test Access Port reset input (active low)

For normal operation (test and debug access disabled), the JTAG interface should be held in reset (ie. TRST should be at logic 0). An internal pull-down resistor holds the TRST pin low when not actively driven.

The other JTAG input pins (TCK, TDI, TMS) should also be held at logic 0 for normal operation. An internal pull-down resistor holds these pins low when not actively driven.

If the JTAG interface is enabled (TRST de-asserted, and TCK active) at the time of Power-On Reset, or any other Reset, then a Software Reset must be scheduled, with the TCK input stopped or TRST asserted (logic '0'), before using the JTAG interface.

As a general rule, it is recommended to always schedule a Software Reset before starting the JTAG clock, or de-asserting the JTAG reset. In this event, the JTAG interface should be held in its reset state until the Software Reset has completed, and the BOOT\_DONE\_STS bit has been set.

See “Hardware Reset, Software Reset, Wake-Up, and Device ID” for further details of the WM8281 Software Reset.

---

## THERMAL SHUTDOWN AND SHORT CIRCUIT PROTECTION

The WM8281 incorporates thermal protection functions, and also provides short-circuit detection on the Class D speaker and headphone output paths, as described below.

The temperature sensor detects when the device temperature is within normal limits or if the device is approaching a hazardous temperature condition.

The temperature sensor is an input to the Interrupt control circuit and can be used to trigger an Interrupt event - see "Interrupts". A two-stage indication is provided, via the SPK\_OVERHEAT\_WARN\_EINTn and SPK\_OVERHEAT\_EINTn interrupts.

If the upper temperature threshold (SPK\_OVERHEAT\_EINTn) is exceeded, then the Class D speaker outputs will automatically be disabled in order to protect the device. When the speaker driver shutdown is complete, a further interrupt, SPK\_SHUTDOWN\_EINTn, will be asserted.

The short circuit detection function for the Class D speaker outputs is triggered when the respective output drivers are enabled (using the register bits described in Table 61). If a short circuit is detected at this time, then the enable will be unsuccessful, and the respective output driver will not be enabled.

The Class D speaker short circuit detection provides inputs to the Interrupt control circuit and can be used to trigger an Interrupt event - see "Interrupts".

If the Class D speaker short circuit condition is detected, then the respective driver(s) will automatically be disabled in order to protect the device. When the speaker driver shutdown is complete, a further interrupt, SPK\_SHUTDOWN\_EINTn, will be asserted.

To enable the Class D speaker outputs following a short circuit detection, the host processor must disable and re-enable the output driver(s) twice over (ie. disable, enable, disable, enable). Note that the short circuit status bits will always be cleared when the drivers are disabled.

The short circuit detection function for the headphone output paths operates continuously whilst the respective output driver is enabled. If a short circuit is detected on any headphone output, then current limiting is applied, in order to protect the output driver. Note that the respective output driver will continue to operate, but the output is current-limited.

The short circuit detection function for the headphone outputs is designed to operate under a range of typical load conditions. However, it is not compatible with highly reactive loads (either inductive or capacitive), as found on some multi-driver headphones, due to phase shifting that arises under these conditions. The headphone short circuit detection function must be disabled if these load conditions may be applicable.

The short circuit detection function for the headphone output paths is enabled by default, but can be disabled using the register bits described in Table 127. The output path performance (THD, THD+N) is improved when the short circuit function is disabled.

Note that, when writing to the HPn\_SC\_ENA bits, care is required not to change the value of other bits in the same register, which may have changed from the default setting. Accordingly, a 'read-modify-write' sequence is required to implement this.

The headphone output short circuit detection provides inputs to the Interrupt control circuit and can be used to trigger an Interrupt event - see "Interrupts". Note that two short circuit indications are implemented for each headphone output channel (relating to detection in the positive and negative output voltage regions respectively); if either of these indications is asserted, then a short circuit condition exists in the respective output path.

REGISTER ADDRESS	BIT	LABEL	DEFAULT	DESCRIPTION
R1184 (04A0h) HP1 Short Circuit Ctrl	12	HP1_SC_ENA	1	HPOUT1 Short Circuit Detect Enable 0 = Disabled 1 = Enabled
R1185 (04A1h) HP2 Short Circuit Ctrl	12	HP2_SC_ENA	1	HPOUT2 Short Circuit Detect Enable 0 = Disabled 1 = Enabled
R1186 (04A2h) HP3 Short Circuit Ctrl	12	HP3_SC_ENA	1	HPOUT3 Short Circuit Detect Enable 0 = Disabled 1 = Enabled

**Table 127 Headphone Short Circuit Detection Control**

The Thermal Shutdown and Short Circuit protection status flags can be output directly on a GPIO pin as an external indication of the associated events. See “General Purpose Input / Output” to configure a GPIO pin for this function.

## POWER-ON RESET (POR)

The WM8281 will remain in the reset state until AVDD, DBVDD1 and DCVDD are all above their respective reset thresholds. Note that specified device performance is not assured outside the voltage ranges defined in the “Recommended Operating Conditions” section.

Refer to “Recommended Operating Conditions” for the WM8281 power-up sequencing requirements.

If DCVDD is powered from LDO1, then the DCVDD supply must be enabled using the LDOENA pin for the initial power-up. Note that subsequent interruption to DCVDD should only be permitted as part of a control sequence for entering Sleep mode.

After the initial power-up, the Power-On Reset will be re-scheduled following an interruption to the DBVDD1 or AVDD supplies. Note that the AVDD supply must always be maintained whenever the DCVDD supply is present.

If the WM8281 SLIMbus component is in its operational state, then it must be reset prior to scheduling a Power-On Reset. See “SLIMbus Interface Control” for details of the SLIMbus reset control messages.

Following Power-On Reset (POR), a Boot Sequence is executed. The BOOT\_DONE\_STS register is asserted on completion of the Boot Sequence, as described in Table 128. Control register writes should not be attempted until the BOOT\_DONE\_STS register has been asserted.

The BOOT\_DONE\_STS signal is an input to the Interrupt control circuit and can be used to trigger an Interrupt event - see “Interrupts”. Under default register conditions, a falling edge on the IRQ pin will indicate completion of the Boot Sequence.

The BOOT\_DONE\_STS signal can also generate a GPIO output, providing an external indication of the Boot Sequence. See “General Purpose Input / Output” to configure a GPIO pin for this function.

For details of the Boot Sequence, see “Control Write Sequencer”.

REGISTER ADDRESS	BIT	LABEL	DEFAULT	DESCRIPTION
R3363 (0D23h) Interrupt Raw Status 5	8	BOOT_DONE_S TS	0	Boot Status 0 = Busy (boot sequence in progress) 1 = Idle (boot sequence completed) Control register writes should not be attempted until Boot Sequence has completed.

**Table 128 Device Boot-Up Status**

The WM8281 is in Sleep mode when AVDD and DBVDD1 are present, and DCVDD is below its reset

threshold. (Note that specific control requirements are also applicable for entering Sleep mode, as described in “Low Power Sleep Configuration”.)

In Sleep mode, most of the Digital Core (and control registers) are held in reset; selected functions and control registers are maintained via an ‘Always-On’ internal supply domain. See “Low Power Sleep Configuration” for details of the ‘Always-On’ functions.

See “Hardware Reset, Software Reset, Wake-Up, and Device ID” for details of the Wake-Up transition (exit from Sleep mode).

Table 129 describes the default status of the WM8281 digital I/O pins on completion of Power-On Reset, prior to any register writes. The same default conditions are also applicable on completion of a Hardware Reset or Software Reset (see “Hardware Reset, Software Reset, Wake-Up, and Device ID”).

The same default conditions are applicable following a Wake-Up transition, except for the GPIO5, IRQ, LDOENA, MCLK2 and RESET pins. These are ‘Always-On’ pins whose configuration is unchanged in Sleep mode and during a Wake-Up transition.

Note that the default conditions described in Table 129 will not be valid if modified by the Boot Sequence or by a ‘Wake-Up’ control sequence. See “Control Write Sequencer” for details of these functions.

PIN NO	NAME	TYPE	RESET STATUS
<b>MICVDD power domain</b>			
F3	DMICCLK4	Digital Output	Digital output
E3	DMICDAT4	Digital Input	Digital input
A4	IN1LN / DMICCLK1	Analogue Input / Digital Output	Analogue input
D4	IN1RN / DMICDAT1	Analogue input / Digital Input	Analogue input
A3	IN2LN / DMICCLK2	Analogue Input / Digital Output	Analogue input
D3	IN2RN / DMICDAT2	Analogue input / Digital Input	Analogue input
A2	IN3LN / DMICCLK3	Analogue Input / Digital Output	Analogue input
D2	IN3RN / DMICDAT3	Analogue input / Digital Input	Analogue input
<b>DBVDD1 power domain</b>			
J13	AIF1BCLK	Digital Input / Output	Digital input
H13	AIF1RXDAT	Digital Input	Digital input
H12	AIF1LRCLK	Digital Input / Output	Digital input
J11	AIF1TXDAT	Digital Output	Digital output
L13	SLIMCLK	Digital Input / Output	Digital input
K12	SLIMDAT	Digital Input / Output	Digital input
F12	CIF1ADDR / CIF1SS	Digital Input	Digital input (Pull-down to DGND if CIF1MODE=logic 0)
J12	CIF1MISO / GPIO4	Digital Output	Digital output
F11	CIF1MODE	Digital Input	Digital input
G13	CIF1SCLK	Digital Input	Digital input
G12	CIF1SDA / CIF1MOSI	Digital Input / Output	Digital input
H11	GPIO1	Digital Input / Output	Digital input, Pull-down to DGND
F13	GPIO5	Digital Input / Output	Digital input, Pull-down to DGND
E11	IRQ	Digital Output	Digital output
E13	LDOENA	Digital Input	Digital input, Pull-down to DGND
K13	MCLK1	Digital Input	Digital input
G14	MCLK2	Digital Input	Digital input
E12	RESET	Digital Input	Digital input, Pull-up to DBVDD1
<b>DBVDD2 power domain</b>			
K9	AIF2BCLK	Digital Input / Output	Digital input
J8	AIF2RXDAT	Digital Input	Digital input

PIN NO	NAME	TYPE	RESET STATUS
J9	AIF2LRCLK	Digital Input / Output	Digital input
K8	AIF2TXDAT	Digital Output	Digital output
L12	CIF2SCLK	Digital Input	Digital input
K10	CIF2SDA	Digital Input / Output	Digital input
J10	GPIO2	Digital Input / Output	Digital input, Pull-down to DGND
H9	SPKCLK1	Digital Output	Digital output
H8	SPKCLK2	Digital Output	Digital output
H10	SPKDAT1	Digital Output	Digital output
H7	SPKDAT2	Digital Output	Digital output
F9	TCK	Digital Input	Digital input, Pull-down to DGND
F8	TDI	Digital Input	Digital input, Pull-down to DGND
K11	TDO	Digital Output	Digital output
F7	TMS	Digital Input	Digital input, Pull-down to DGND
F6	TRST	Digital Input	Digital input, Pull-down to DGND
<b>DBVDD3 power domain</b>			
K7	AIF3BCLK	Digital Input / Output	Digital input
H4	AIF3RXDAT	Digital Input	Digital input
J7	AIF3LRCLK	Digital Input / Output	Digital input
H5	AIF3TXDAT	Digital Output	Digital output
H6	GPIO3	Digital Input / Output	Digital input, Pull-down to DGND

**Table 129 WM8281 Digital I/O Status in Reset**

Note that the dual function INnLP/DMICCLKn and INnRP/DMICDATn pins default to their respective analogue input functions after Power-On Reset is completed. The analogue input functions are referenced to the MICVDD power domain.

## HARDWARE RESET, SOFTWARE RESET, WAKE-UP, AND DEVICE ID

The WM8281 provides a Hardware Reset function, which is executed whenever the RESET input is asserted (logic 0). The RESET input is active low and is referenced to the DBVDD1 power domain.

A Hardware Reset causes most of the WM8281 control registers to be reset to their default states. Note that the Control Write Sequencer memory and DSP firmware memory contents are retained during Hardware Reset (assuming the conditions noted below).

An internal pull-up resistor is enabled by default on the RESET pin; this can be configured using the RESET\_PU register bit. A pull-down resistor is also available, as described in Table 130. When the pull-up and pull-down resistors are both enabled, the WM8281 provides a 'bus keeper' function on the RESET pin. The bus keeper function holds the input logic level unchanged whenever the external circuit removes the drive (eg. if the signal is tri-stated).

If the WM8281 SLIMbus component is in its operational state, then it must be reset prior to scheduling a Hardware Reset. See "SLIMbus Interface Control" for details of the SLIMbus reset control messages.

REGISTER ADDRESS	BIT	LABEL	DEFAULT	DESCRIPTION
R3104 (0C20h) Misc Pad Ctrl 1	1	RESET_PU	1	RESET Pull-up enable 0 = Disabled 1 = Enabled Note - when RESET_PD and RESET_PU are both set to '1', then a 'bus keeper' function is enabled on the RESET pin.
	0	RESET_PD	0	RESET Pull-down enable 0 = Disabled 1 = Enabled Note - when RESET_PD and RESET_PU are both set to '1', then a 'bus keeper' function is enabled on the RESET pin.

**Table 130 Reset Pull-Up Configuration**

A Software Reset is executed by writing any value to register R0. A Software Reset causes most of the WM8281 control registers to be reset to their default states. Note that the Control Write Sequencer memory and DSP firmware memory contents are retained during Software Reset (assuming the conditions noted below).

A Wake-Up transition (from Sleep mode) is similar to a Software Reset, but selected functions and control registers are maintained via an 'Always-On' internal supply domain. The 'Always-On' registers are not reset during Wake-Up. See "Low Power Sleep Configuration" for details of the 'Always-On' functions.

The Control Write Sequencer memory contents are retained during Hardware Reset, Software Reset or Sleep mode; these registers are only reset following a Power-On Reset (POR).

The DSP firmware memory contents are also retained during Hardware Reset and Software Reset, provided DCVDD is held above its reset threshold, and the DSPn\_MEM\_ENA bits are set to '1' (default).

See the "Applications Information" section for a summary of the WM8281 memory reset conditions. The DSPn\_MEM\_ENA register bits are described in Table 27.

If DCVDD is powered from LDO1, it is recommended that the LDOENA pin is asserted (logic 1) before Hardware Reset or Software Reset; this ensures the DSP memory contents can be retained, and also allows faster reset time.

Following Hardware Reset, Software Reset or Wake-Up (from Sleep mode), a Boot Sequence is executed. The BOOT\_DONE\_STS register (see Table 128) is de-asserted during Hardware Reset, Software Reset and in Sleep mode. The BOOT\_DONE\_STS register is asserted on completion of the boot-up sequence. Control register writes should not be attempted until the BOOT\_DONE\_STS register has been asserted.

The BOOT\_DONE\_STS signal is an input to the Interrupt control circuit and can be used to trigger an Interrupt event - see "Interrupts".

The BOOT\_DONE\_STS signal can also generate a GPIO output, providing an external indication of the Boot Sequence. See “General Purpose Input / Output” to configure a GPIO pin for this function.

For details of the Boot Sequence, see “Control Write Sequencer”.

The status of the WM8281 digital I/O pins following Hardware Reset, Software Reset or Wake-Up is described in the “Power-On Reset (POR)” section.

The Device ID can be read back from Register R0. The Hardware Revision can be read back from Register R1.

The Software Revision can be read back from Register R2. The Software Revision code is incremented if software driver compatibility or software feature support is changed.

REGISTER ADDRESS	BIT	LABEL	DEFAULT	DESCRIPTION
R0 (0000h) Software Reset	15:0	SW_RST_DEV_ID [15:0]	5110h	Writing to this register resets all registers to their default state. Reading from this register will indicate Device ID 5110h.
R1 (0001h) Hardware Revision	7:0	HW_REVISION [7:0]		Hardware Device revision. (incremented for every new revision of the device)
R2 (0002h) Software Revision	6:0	SW_REVISION [6:0]		Software Device revision. (incremented if software driver compatibility or software feature support is changed)

**Table 131 Device Reset and ID**

## REGISTER MAP

The WM8281 control registers are listed below. Note that only the register addresses described here should be accessed; writing to other addresses may result in undefined behaviour. Register bits that are not documented should not be changed from the default values.

REG	NAME	15	14	13	12	11	10	9	8	7	6	5	4	3	2	1	0	DEFAULT
R0 (0h)	Software Reset	SW_RST_DEV_ID [15:0]																5110h
R1 (1h)	Hardware Revision	0	0	0	0	0	0	0	0	0	HW_REVISION [7:0]							
R2 (2h)	Software Revision	0	0	0	0	0	0	0	0	0	SW_REVISION [6:0]							
R8 (8h)	Ctrl IF SPI CFG 1	0	0	0	0	0	0	0	0	0	0	0	SPI_CFG	SPI_GPIO	0	SPI_AUTO_IN C [1:0]		0019h
R9 (9h)	Ctrl IF I2C1 CFG 1	0	0	0	0	0	0	0	0	0	0	0	0	0	I2C1_AUTO_IN C [1:0]		0001h	
R10 (Ah)	Ctrl IF I2C2 CFG 1	0	0	0	0	0	0	0	0	0	0	0	0	0	I2C2_AUTO_IN C [1:0]		0001h	
R11 (Bh)	Ctrl IF I2C1 CFG 2	0	0	0	0	0	0	0	0	0	I2C1_DEV_ID [6:0]						001Ah	
R12 (Ch)	Ctrl IF I2C2 CFG 2	0	0	0	0	0	0	0	0	0	I2C2_DEV_ID [6:0]						001Ah	
R22 (16h)	Write Sequencer Ctrl 0	0	0	0	0	WSEQ_ABO RT	WSEQ_STAR T	WSEQ_ENA	WSEQ_START_INDEX [8:0]								0000h	
R23 (17h)	Write Sequencer Ctrl 1	0	0	0	0	0	0	WSEQ_BUS Y	WSEQ_CURRENT_INDEX [8:0]								0000h	
R24 (18h)	Write Sequencer Ctrl 2	0	0	0	0	0	0	0	0	0	0	0	0	0	WSEQ_BOO T_STA RT	WSEQ_LOA D_ME M	0000h	
R32 (20h)	Tone Generator 1	0	TONE_RATE [3:0]				0	TONE_OFFSE T [1:0]		0	0	TONE_2_OV D	TONE_1_OV D	0	0	TONE_2_ENA	TONE_1_ENA	0000h
R33 (21h)	Tone Generator 2	TONE1_LVL [23:8]																1000h
R34 (22h)	Tone Generator 3	0	0	0	0	0	0	0	0	TONE1_LVL [7:0]							0000h	
R35 (23h)	Tone Generator 4	TONE2_LVL [23:8:0]																1000h
R36 (24h)	Tone Generator 5	0	0	0	0	0	0	0	0	TONE2_LVL [7:0]							0000h	
R48 (30h)	PWM Drive 1	0	PWM_RATE [3:0]				PWM_CLK_SEL [2:0]		0	0	PWM2_OV D	PWM1_OV D	0	0	PWM2_ENA	PWM1_ENA	0000h	
R49 (31h)	PWM Drive 2	0	0	0	0	0	PWM1_LVL [9:0]									0100h		
R50 (32h)	PWM Drive 3	0	0	0	0	0	PWM2_LVL [9:0]									0100h		
R64 (40h)	Wake control	0	0	0	0	0	0	0	0	WKUP_MICD _CLAMP_F ALL	WKUP_MICD _CLAMP_RI SE	WKUP_GP5_ FALL	WKUP_GP5_ RISE	WKUP_JD1_ FALL	WKUP_JD1_ RISE	0	0	0000h
R65 (41h)	Sequence control	0	0	0	0	0	0	0	0	WSEQ_ENA_ MICD_ CLAMP_ P_FALL	WSEQ_ENA_ MICD_ CLAMP_ P_RISE	WSEQ_ENA_ GP5_ FALL	WSEQ_ENA_ GP5_ RISE	WSEQ_ENA_ JD1_ FALL	WSEQ_ENA_ JD1_ RISE	0	0	0000h
R97 (61h)	Sample Rate Sequence Select 1	0	0	0	0	0	0	WSEQ_SAMPLE_RATE_DETECT_A_INDEX [8:0]										01FFh
R98 (62h)	Sample Rate Sequence Select 2	0	0	0	0	0	0	WSEQ_SAMPLE_RATE_DETECT_B_INDEX [8:0]										01FFh



REG	NAME	15	14	13	12	11	10	9	8	7	6	5	4	3	2	1	0	DEFAULT
R99 (63h)	Sample Rate Sequence Select 3	0	0	0	0	0	0	0	WSEQ_SAMPLE_RATE_DETECT_C_INDEX [8:0]								01FFh	
R100 (64h)	Sample Rate Sequence Select 4	0	0	0	0	0	0	0	WSEQ_SAMPLE_RATE_DETECT_D_INDEX [8:0]								01FFh	
R102 (66h)	Always On Triggers Sequence Select 1	0	0	0	0	0	0	0	WSEQ_MICD_CLAMP_RISE_INDEX [8:0]								01FFh	
R103 (67h)	Always On Triggers Sequence Select 2	0	0	0	0	0	0	0	WSEQ_MICD_CLAMP_FALL_INDEX [8:0]								01FFh	
R104 (68h)	Always On Triggers Sequence Select 3	0	0	0	0	0	0	0	WSEQ_GP5_RISE_INDEX [8:0]								01FFh	
R105 (69h)	Always On Triggers Sequence Select 4	0	0	0	0	0	0	0	WSEQ_GP5_FALL_INDEX [8:0]								01FFh	
R106 (6Ah)	Always On Triggers Sequence Select 5	0	0	0	0	0	0	0	WSEQ_JD1_RISE_INDEX [8:0]								01FFh	
R107 (6Bh)	Always On Triggers Sequence Select 6	0	0	0	0	0	0	0	WSEQ_JD1_FALL_INDEX [8:0]								01FFh	
R110 (6Eh)	Trigger Sequence Select 32	0	0	0	0	0	0	0	WSEQ_SIG_DET_RISE_INDEX [8:0]								01FFh	
R111 (6Fh)	Trigger Sequence Select 33	0	0	0	0	0	0	0	WSEQ_SIG_DET_FALL_INDEX [8:0]								01FFh	
R112 (70h)	Comfort Noise Generator	0	NOISE_GEN_RATE [3:0]					0	0	0	0	0	NOISE_GEN_ENA	NOISE_GEN_GAIN [4:0]				0000h
R135 (87h)	HP Detect Calibration 1	HP_OFFSET_DIFF_11 [1:0]		HP_OFFSET_DIFF_10 [1:0]				HP_OFFSET_01 [1:0]				HP_OFFSET_DIFF_00 [1:0]				0000h		
R135 (88h)	HP Detect Calibration 2	HP_OFFSET_DIFF_11 [3:2]		HP_GRADIENT_1X [6:0]						HP_GRADIENT_0X [6:0]						0000h		
R144 (90h)	Haptics Control 1	0	HAP_RATE [3:0]				0	0	0	0	0	0	ONES_HOT_TRIG	HAP_CTRL [1:0]	HAP_ACT	0	0000h	
R145 (91h)	Haptics Control 2	0	LRA_FREQ [14:0]														7FFFh	
R146 (92h)	Haptics phase 1 intensity	0	0	0	0	0	0	0	0	PHASE1_INTENSITY [7:0]							0000h	
R147 (93h)	Haptics phase 1 duration	0	0	0	0	0	0	0	PHASE1_DURATION [8:0]								0000h	
R148 (94h)	Haptics phase 2 intensity	0	0	0	0	0	0	0	0	PHASE2_INTENSITY [7:0]							0000h	
R149 (95h)	Haptics phase 2 duration	0	0	0	0	0	PHASE2_DURATION [10:0]										0000h	
R150 (96h)	Haptics phase 3 intensity	0	0	0	0	0	0	0	0	PHASE3_INTENSITY [7:0]							0000h	
R151 (97h)	Haptics phase 3 duration	0	0	0	0	0	0	0	PHASE3_DURATION [8:0]								0000h	

REG	NAME	15	14	13	12	11	10	9	8	7	6	5	4	3	2	1	0	DEFAULT	
R152 (98h)	Haptics Status	0	0	0	0	0	0	0	0	0	0	0	0	0	0	0	0	ONES HOT_ STS	0000h
R256 (100h)	Clock 32k 1	0	0	0	0	0	0	0	0	0	CLK_3 2K_EN A	0	0	0	0	CLK_32K_SRC [1:0]		0002h	
R257 (101h)	System Clock 1	SYSC LK_FR AC	0	0	0	0	SYSCLK_FREQ [2:0]			0	SYSC LK_EN A	0	0	SYSCLK_SRC [3:0]				0504h	
R258 (102h)	Sample rate 1	0	0	0	0	0	0	0	0	0	0	0	SAMPLE_RATE_1 [4:0]				0011h		
R259 (103h)	Sample rate 2	0	0	0	0	0	0	0	0	0	0	0	SAMPLE_RATE_2 [4:0]				0011h		
R260 (104h)	Sample rate 3	0	0	0	0	0	0	0	0	0	0	0	SAMPLE_RATE_3 [4:0]				0011h		
R266 (10Ah)	Sample rate 1 status	0	0	0	0	0	0	0	0	0	0	0	SAMPLE_RATE_1_STS [4:0]				0000h		
R267 (10Bh)	Sample rate 2 status	0	0	0	0	0	0	0	0	0	0	0	SAMPLE_RATE_2_STS [4:0]				0000h		
R268 (10Ch)	Sample rate 3 status	0	0	0	0	0	0	0	0	0	0	0	SAMPLE_RATE_3_STS [4:0]				0000h		
R274 (112h)	Async clock 1	0	0	0	0	0	ASYNC_CLK_FREQ [2:0]			0	ASYN C_CLK _ENA	0	0	ASYNC_CLK_SRC [3:0]				0305h	
R275 (113h)	Async sample rate 1	0	0	0	0	0	0	0	0	0	0	0	ASYNC_SAMPLE_RATE_1 [4:0]				0011h		
R276 (114h)	Async sample rate 2	0	0	0	0	0	0	0	0	0	0	0	ASYNC_SAMPLE_RATE_2 [4:0]				0011h		
R283 (11Bh)	Async sample rate 1 status	0	0	0	0	0	0	0	0	0	0	0	ASYNC_SAMPLE_RATE_1_STS [4:0]				0000h		
R284 (11Ch)	Async sample rate 2 status	0	0	0	0	0	0	0	0	0	0	0	ASYNC_SAMPLE_RATE_2_STS [4:0]				0000h		
R329 (149h)	Output system clock	OPCL K_EN A	0	0	0	0	0	0	0	OPCLK_DIV [4:0]				OPCLK_SEL [2:0]			0000h		
R330 (14Ah)	Output async clock	OPCL K_ASY NC_E NA	0	0	0	0	0	0	0	OPCLK_ASYNC_DIV [4:0]				OPCLK_ASYNC_SEL [2:0]			0000h		
R338 (152h)	Rate Estimator 1	0	0	0	0	0	0	0	0	0	0	0	TRIG_ ON_S TART UP	LRCLK_SRC [2:0]		RATE_ EST_E NA	0000h		
R339 (153h)	Rate Estimator 2	0	0	0	0	0	0	0	0	0	0	0	SAMPLE_RATE_DETECT_A [4:0]				0000h		
R340 (154h)	Rate Estimator 3	0	0	0	0	0	0	0	0	0	0	0	SAMPLE_RATE_DETECT_B [4:0]				0000h		
R341 (155h)	Rate Estimator 4	0	0	0	0	0	0	0	0	0	0	0	SAMPLE_RATE_DETECT_C [4:0]				0000h		
R342 (156h)	Rate Estimator 5	0	0	0	0	0	0	0	0	0	0	0	SAMPLE_RATE_DETECT_D [4:0]				0000h		
R369 (171h)	FLL1 Control 1	0	0	0	0	0	0	0	0	0	0	0	0	0	0	FLL1_ FREE RUN	FLL1_ ENA	0002h	
R370 (172h)	FLL1 Control 2	FLL1_ CTRL_ UPD	0	0	0	0	FLL1_N [9:0]										0008h		
R371 (173h)	FLL1 Control 3	FLL1_THETA [15:0]																0018h	
R372 (174h)	FLL1 Control 4	FLL1_LAMBDA [15:0]																007Dh	
R373 (175h)	FLL1 Control 5	0	0	0	0	FLL1_FRATIO [3:0]			0	0	0	0	FLL1_OUTDIV [2:0]		0				0006h
R374 (176h)	FLL1 Control 6	0	0	0	0	0	0	0	0	FLL1_REFCLK _DIV [1:0]	0	0	FLL1_REFCLK_SRC [3:0]				0000h		

REG	NAME	15	14	13	12	11	10	9	8	7	6	5	4	3	2	1	0	DEFAULT
R375 (177h)	FLL1 Loop Filter Test 1	FLL1_FRC_I NTEG _UPD	0	0	0	FLL1_FRC_INTEG_VAL [11:0]											0281h	
R376 (178h)	FLL1 NCO Test 0	FLL1_I NTEG _VALI D	0	0	0	FLL1_INTEG [11:0]											0000h	
R377 (179h)	FLL1 Control 7	0	0	0	0	0	0	0	0	0	0	FLL1_GAIN [3:0]			0	0	0000h	
R385 (181h)	FLL1 Synchroniser 1	0	0	0	0	0	0	0	0	0	0	0	0	0	0	0	FLL1_SYNC _ENA	0000h
R386 (182h)	FLL1 Synchroniser 2	0	0	0	0	0	0	FLL1_SYNC_N [9:0]										0000h
R387 (183h)	FLL1 Synchroniser 3	FLL1_SYNC_THETA [15:0]															0000h	
R388 (184h)	FLL1 Synchroniser 4	FLL1_SYNC_LAMBDA [15:0]															0000h	
R389 (185h)	FLL1 Synchroniser 5	0	0	0	0	0	FLL1_SYNC_FRATIO [2:0]		0	0	0	0	0	0	0	0	0	0000h
R390 (186h)	FLL1 Synchroniser 6	0	0	0	0	0	0	0	0	FLL1_SYNCCLK K_DIV [1:0]		0	0	FLL1_SYNCCLK_SRC [3:0]			0000h	
R391 (187h)	FLL1 Synchroniser 7	0	0	0	0	0	0	0	0	0	FLL1_SYNC_GAIN [3:0]			0	FLL1_SYNC _DFS A T	0001h		
R393 (189h)	FLL1 Spread Spectrum	0	0	0	0	0	0	0	0	0	FLL1_SS_AMP L [1:0]		FLL1_SS_FRE Q [1:0]		FLL1_SS_SEL [1:0]		0000h	
R394 (18Ah)	FLL1 GPIO Clock	0	0	0	0	0	0	0	FLL1_GPCLK_DIV [6:0]							FLL1_GPCL K_EN A	000Ch	
R401 (191h)	FLL2 Control 1	0	0	0	0	0	0	0	0	0	0	0	0	0	0	FLL2_FREE RUN	FLL2_ENA	0002h
R402 (192h)	FLL2 Control 2	FLL2_CTRL_ UPD	0	0	0	0	0	FLL2_N [9:0]										0008h
R403 (193h)	FLL2 Control 3	FLL2_THETA [15:0]															0018h	
R404 (194h)	FLL2 Control 4	FLL2_LAMBDA [15:0]															007Dh	
R405 (195h)	FLL2 Control 5	0	0	0	0	FLL2_FRATIO [3:0]			0	0	0	0	FLL2_OUTDIV [2:0]		0	000Ch		
R406 (196h)	FLL2 Control 6	0	0	0	0	0	0	0	0	FLL2_REFCLK _DIV [1:0]		0	0	FLL2_REFCLK_SRC [3:0]			0000h	
R407 (197h)	FLL2 Loop Filter Test 1	FLL2_FRC_I NTEG _UPD	0	0	0	FLL2_FRC_INTEG_VAL [11:0]											0000h	
R408 (198h)	FLL2 NCO Test 0	FLL2_I NTEG _VALI D	0	0	0	FLL2_INTEG [11:0]											0000h	
R409 (199h)	FLL2 Control 7	0	0	0	0	0	0	0	0	0	0	FLL2_GAIN [3:0]			0	0	0000h	
R417 (1A1h)	FLL2 Synchroniser 1	0	0	0	0	0	0	0	0	0	0	0	0	0	0	0	FLL2_SYNC _ENA	0000h
R418 (1A2h)	FLL2 Synchroniser 2	0	0	0	0	0	FLL2_SYNC_N [9:0]										0000h	

REG	NAME	15	14	13	12	11	10	9	8	7	6	5	4	3	2	1	0	DEFAULT
R419 (1A3h)	FLL2 Synchroniser 3	FLL2_SYNC_THETA [15:0]																0000h
R420 (1A4h)	FLL2 Synchroniser 4	FLL2_SYNC_LAMBDA [15:0]																0000h
R421 (1A5h)	FLL2 Synchroniser 5	0	0	0	0	0	FLL2_SYNC_FRATIO [2:0]		0	0	0	0	0	0	0	0	0	0000h
R422 (1A6h)	FLL2 Synchroniser 6	0	0	0	0	0	0	0	0	FLL2_SYNCCLK_K_DIV [1:0]		0	0	FLL2_SYNCCLK_SRC [3:0]			0000h	
R423 (1A7h)	FLL2 Synchroniser 7	0	0	0	0	0	0	0	0	0	FLL2_SYNC_GAIN [3:0]			0	FLL2_SYNC_DFSA_T		0001h	
R425 (1A9h)	FLL2 Spread Spectrum	0	0	0	0	0	0	0	0	0	FLL2_SS_AMP_L [1:0]		FLL2_SS_FREQ [1:0]		FLL2_SS_SEL [1:0]		0000h	
R426 (1AAh)	FLL2 GPIO Clock	0	0	0	0	0	0	0	FLL2_GPCLK_DIV [6:0]						FLL2_GPCLK_ENA		000Ch	
R512 (200h)	Mic Charge Pump 1	0	0	0	0	0	0	0	0	0	0	0	0	0	CP2_DISCH	CP2_BYPASS	CP2_ENA	0007h
R528 (210h)	LDO1 Control 1	0	0	0	0	0	LDO1_VSEL [5:0]					0	0	LDO1_DISCH	0	LDO1_ENA	0184h	
R531 (213h)	LDO2 Control 1	0	0	0	0	0	LDO2_VSEL [5:0]					0	0	LDO2_DISCH	0	0	03E4h	
R536 (218h)	Mic Bias Ctrl 1	MICB1_EXT_CAP	0	0	0	0	0	0	MICB1_LVL [3:0]			0	MICB1_RATE	MICB1_DISCH	MICB1_BYPASS	MICB1_ENA	00E6h	
R537 (219h)	Mic Bias Ctrl 2	MICB2_EXT_CAP	0	0	0	0	0	0	MICB2_LVL [3:0]			0	MICB2_RATE	MICB2_DISCH	MICB2_BYPASS	MICB2_ENA	00E6h	
R538 (21Ah)	Mic Bias Ctrl 3	MICB3_EXT_CAP	0	0	0	0	0	0	MICB3_LVL [3:0]			0	MICB3_RATE	MICB3_DISCH	MICB3_BYPASS	MICB3_ENA	00E6h	
R549 (225h)	HP Ctrl 1L	0	0	0	0	0	1	0	0	0	0	0	0	0	HP1L_FLWR	HP1L_SHRTI	HP1L_SHRTO	0406h
R550 (226h)	HP Ctrl 1R	0	0	0	0	0	1	0	0	0	0	0	0	0	HP1R_FLWR	HP1R_SHRTI	HP1R_SHRTO	0406h
R659 (293h)	Accessory Detect Mode 1	0	0	ACCD_ET_SRC	0	0	0	0	0	0	0	0	0	0	0	ACCDDET_MODE [1:0]		0000h
R667 (29Bh)	Headphone Detect 1	0	0	0	0	0	HP_IMPEDANCE_RANGE [1:0]		0	HP_HOLDTIME [2:0]		HP_CLK_DIV [1:0]		0	HP_RATE	HP_POLL	0028h	
R668 (29Ch)	Headphone Detect 2	HP_DONE	HP_LVL [14:0]															0000h
R669 (29Dh)	Headphone Detect Test	0	0	0	0	0	0	HP_DACVAL [9:0]										0000h
R674 (2A2h)	Mic Clamp control	0	0	0	0	0	0	0	0	0	0	0	0	MICD_CLAMP_MODE [3:0]			0000h	
R675 (2A3h)	Mic Detect 1	MICD_BIAS_STARTTIME [3:0]			MICD_RATE [3:0]			0	0	MICD_BIAS_S RC [1:0]		0	0	MICD_DBTIME	MICD_ENA	1102h		
R676 (2A4h)	Mic Detect 2	0	0	0	0	0	0	0	MICD_LVL_SEL [7:0]									009Fh
R677 (2A5h)	Mic Detect 3	0	0	0	0	MICD_LVL [8:0]										MICD_VALID	MICD_STS	0000h

REG	NAME	15	14	13	12	11	10	9	8	7	6	5	4	3	2	1	0	DEFAULT	
R683 (2ABh)	Mic Detect 4	MICDET_ADCVAL_DIFF [7:0]								0	MICDET_ADCVAL [6:0]								0000h
R707 (2C3h)	Mic noise mix control 1	0	MICMUTE_RATE [3:0]				0	0	0	MICMUTE_NOISE_ENA	MICMUTE_MIX_ENA	0	0	0	0	0	0	0	0000h
R715 (2CBh)	Isolation control	0	0	0	0	0	0	0	0	0	0	0	0	0	0	0	ISOLATE_DCVDD1	0000h	
R723 (2D3h)	Jack detect analogue	0	0	0	0	0	0	0	0	0	0	0	0	0	0	0	JD1_ENA	0000h	
R768 (300h)	Input Enables	0	0	0	0	0	0	0	0	IN4L_ENA	IN4R_ENA	IN3L_ENA	IN3R_ENA	IN2L_ENA	IN2R_ENA	IN1L_ENA	IN1R_ENA	0000h	
R769 (301h)	Input Enables Status	0	0	0	0	0	0	0	0	IN4L_ENA_STS	IN4R_ENA_STS	IN3L_ENA_STS	IN3R_ENA_STS	IN2L_ENA_STS	IN2R_ENA_STS	IN1L_ENA_STS	IN1R_ENA_STS	0000h	
R776 (308h)	Input Rate	0	IN_RATE [3:0]				0	0	0	0	0	0	0	0	0	0	0	0	0000h
R777 (309h)	Input Volume Ramp	0	0	0	0	0	0	0	0	0	IN_VD_RAMP [2:0]			0	IN_VI_RAMP [2:0]			0022h	
R780 (30Ch)	HPF Control	0	0	0	0	0	0	0	0	0	0	0	0	0	IN_HPF_CUT [2:0]			0002h	
R784 (310h)	IN1L Control	IN1L_HPF	IN1_OSR [1:0]		IN1_DMIC_SUIP [1:0]		IN1_MODE [1:0]		0	IN1L_PGA_VOL [6:0]						0	2080h		
R785 (311h)	ADC Digital Volume 1L	0	0	0	0	0	0	IN_VU	IN1L_MUTE	IN1L_VOL [7:0]							0180h		
R786 (312h)	DMIC1L Control	0	0	0	0	0	0	0	0	0	IN1L_DMIC_DLY [5:0]					0000h			
R788 (314h)	IN1R Control	IN1R_HPF	0	0	0	0	0	0	0	IN1R_PGA_VOL [6:0]						0	0080h		
R789 (315h)	ADC Digital Volume 1R	0	0	0	0	0	0	IN_VU	IN1R_MUTE	IN1R_VOL [7:0]							0180h		
R790 (316h)	DMIC1R Control	0	0	0	0	0	0	0	0	0	IN1R_DMIC_DLY [5:0]					0000h			
R792 (318h)	IN2L Control	IN2L_HPF	IN2_OSR [1:0]		IN2_DMIC_SUIP [1:0]		IN2_MODE [1:0]		0	IN2L_PGA_VOL [6:0]						0	2080h		
R793 (319h)	ADC Digital Volume 2L	0	0	0	0	0	0	IN_VU	IN2L_MUTE	IN2L_VOL [7:0]							0180h		
R794 (31Ah)	DMIC2L Control	0	0	0	0	0	0	0	0	0	IN2L_DMIC_DLY [5:0]					0000h			
R796 (31Ch)	IN2R Control	IN2R_HPF	0	0	0	0	0	0	0	IN2R_PGA_VOL [6:0]						0	0080h		
R797 (31Dh)	ADC Digital Volume 2R	0	0	0	0	0	0	IN_VU	IN2R_MUTE	IN2R_VOL [7:0]							0180h		
R798 (31Eh)	DMIC2R Control	0	0	0	0	0	0	0	0	0	IN2R_DMIC_DLY [5:0]					0000h			
R800 (320h)	IN3L Control	IN3L_HPF	IN3_OSR [1:0]		IN3_DMIC_SUIP [1:0]		IN3_MODE [1:0]		0	IN3L_PGA_VOL [6:0]						0	2080h		
R801 (321h)	ADC Digital Volume 3L	0	0	0	0	0	0	IN_VU	IN3L_MUTE	IN3L_VOL [7:0]							0180h		
R802 (322h)	DMIC3L Control	0	0	0	0	0	0	0	0	0	IN3L_DMIC_DLY [5:0]					0000h			
R804 (324h)	IN3R Control	IN3R_HPF	0	0	0	0	0	0	0	IN3R_PGA_VOL [6:0]						0	0080h		
R805 (325h)	ADC Digital Volume 3R	0	0	0	0	0	0	IN_VU	IN3R_MUTE	IN3R_VOL [7:0]							0180h		
R806 (326h)	DMIC3R Control	0	0	0	0	0	0	0	0	0	IN3R_DMIC_DLY [5:0]					0000h			
R808 (328h)	IN4L Control	IN4L_HPF	IN4_OSR [1:0]		IN4_DMIC_SUIP [1:0]		0	0	0	0	0	0	0	0	0	0	0	2000h	
R809 (329h)	ADC Digital Volume 4L	0	0	0	0	0	0	IN_VU	IN4L_MUTE	IN4L_VOL [7:0]							0180h		
R810 (32Ah)	DMIC4L Control	0	0	0	0	0	0	0	0	0	IN4L_DMIC_DLY [5:0]					0000h			

REG	NAME	15	14	13	12	11	10	9	8	7	6	5	4	3	2	1	0	DEFAULT	
R812 (32Ch)	IN4R Control	IN4R_HP	0	0	0	0	0	0	0	0	0	0	0	0	0	0	0	0000h	
R813 (32Dh)	ADC Digital Volume 4R	0	0	0	0	0	0	IN_VU	IN4R_MUTE	IN4R_VOL [7:0]								0180h	
R814 (32Eh)	DMIC4R Control	0	0	0	0	0	0	0	0	0	0	IN4R_DMIC_DLY [5:0]						0000h	
R1024 (400h)	Output Enables 1	0	0	0	0	OUT6L_ENA	OUT6R_ENA	OUT5L_ENA	OUT5R_ENA	SPKO_UTL_ENA	SPKO_UTR_ENA	HP3L_ENA	HP3R_ENA	HP2L_ENA	HP2R_ENA	HP1L_ENA	HP1R_ENA	0000h	
R1025 (401h)	Output Status 1	0	0	0	0	OUT6L_ENA_STS	OUT6R_ENA_STS	OUT5L_ENA_STS	OUT5R_ENA_STS	OUT4L_ENA_STS	OUT4R_ENA_STS	0	0	0	0	0	0	0000h	
R1030 (406h)	Raw Output Status 1	0	0	0	0	0	0	0	0	0	0	OUT3L_ENA_STS	OUT3R_ENA_STS	OUT2L_ENA_STS	OUT2R_ENA_STS	OUT1L_ENA_STS	OUT1R_ENA_STS	0000h	
R1032 (408h)	Output Rate 1	0	OUT_RATE [3:0]				0	0	0	0	0	0	0	0	0	0	0	0	0000h
R1033 (409h)	Output Volume Ramp	0	0	0	0	0	0	0	0	0	OUT_VD_RAMP [2:0]			0	OUT_VI_RAMP [2:0]			0022h	
R1040 (410h)	Output Path Config 1L	0	0		OUT1_MONO	OUT1L_ANC_SRC [1:0]		0	0	0	0	0	0	0	0	0	0	0000h	
R1041 (411h)	DAC Digital Volume 1L	0	0		0	0	0	OUT_VU	OUT1L_MUTE	OUT1L_VOL [7:0]								0180h	
R1042 (412h)	DAC Volume Limit 1L	0	0		0	0	0	0	0	OUT1L_VOL_LIM [7:0]								0081h	
R1043 (413h)	Noise Gate Select 1L	0	0		0	OUT1L_NGATE_SRC [11:0]											0001h		
R1044 (414h)	Output Path Config 1R	0	0		0	OUT1R_ANC_SRC [1:0]		0	0	0	0	0	0	0	0	0	0	0000h	
R1045 (415h)	DAC Digital Volume 1R	0	0		0	0	0	OUT_VU	OUT1R_MUTE	OUT1R_VOL [7:0]								0180h	
R1046 (416h)	DAC Volume Limit 1R	0	0		0	0	0	0	0	OUT1R_VOL_LIM [7:0]								0081h	
R1047 (417h)	Noise Gate Select 1R	0	0		0	OUT1R_NGATE_SRC [11:0]											0002h		
R1048 (418h)	Output Path Config 2L	0	0		OUT2_MONO	OUT2L_ANC_SRC [1:0]		0	0	0	0	0	0	0	0	0	0	000h	
R1049 (419h)	DAC Digital Volume 2L	0	0		0	0	0	OUT_VU	OUT2L_MUTE	OUT2L_VOL [7:0]								0180h	
R1050 (41Ah)	DAC Volume Limit 2L	0	0		0	0	0	0	0	OUT2L_VOL_LIM [7:0]								0081h	
R1051 (41Bh)	Noise Gate Select 2L	0	0		0	OUT2L_NGATE_SRC [11:0]											0004h		
R1052 (41Ch)	Output Path Config 2R	0	0		0	OUT2R_ANC_SRC [1:0]		0	0	0	0	0	0	0	0	0	0	0000h	
R1053 (41Dh)	DAC Digital Volume 2R	0	0		0	0	0	OUT_VU	OUT2R_MUTE	OUT2R_VOL [7:0]								0180h	
R1054 (41Eh)	DAC Volume Limit 2R	0	0		0	0	0	0	0	OUT2R_VOL_LIM [7:0]								0081h	
R1055 (41Fh)	Noise Gate Select 2R	0	0		0	OUT2R_NGATE_SRC [11:0]											0008h		
R1056 (420h)	Output Path Config 3L	0	0		OUT3_MONO	OUT3L_ANC_SRC [1:0]		0	0	0	0	0	0	0	0	0	0	0000h	

REG	NAME	15	14	13	12	11	10	9	8	7	6	5	4	3	2	1	0	DEFAULT
R1057 (421h)	DAC Digital Volume 3L	0	0	0	0	0	0	OUT_VU	OUT3L_MUTE	OUT3L_VOL [7:0]							0180h	
R1058 (422h)	DAC Volume Limit 3L	0	0	0	0	0	0	0	0	OUT3L_VOL_LIM [7:0]							0081h	
R1059 (423h)	Noise Gate Select 3L	0	0	0	0	OUT3L_NGATE_SRC [11:0]											0010h	
R1061 (425h)	DAC Digital Volume 3R	0	0	0	0	0	0	OUT_VU	OUT3R_MUTE	OUT3R_VOL [7:0]							0180h	
R1062 (426h)	DAC Volume Limit 3R	0	0	0	0	OUT3R_ANC_SRC [1:0]		0	0	OUT3R_VOL_LIM [7:0]							0081h	
R1063 (427h)	Noise Gate Select 3R	0	0		0	OUT3R_NGATE_SRC [11:0]											0020h	
R1064 (428h)	Output Path Config 4L	0	0		0	OUT4L_ANC_SRC [1:0]		0	0	0	0	0	0	0	0	0	0	0000h
R1065 (429h)	DAC Digital Volume 4L	0	0	0	0	0	0	OUT_VU	OUT4L_MUTE	OUT4L_VOL [7:0]							0180h	
R1066 (42Ah)	Out Volume 4L	0	0	0	0	0	0	0	0	OUT4L_VOL_LIM [7:0]							0081h	
R1067 (42Bh)	Noise Gate Select 4L	0	0	0	0	OUT4L_NGATE_SRC [11:0]											0040h	
R1068 (42Ch)	Output Path Config 4R	0	0	0	0	OUT4R_ANC_SRC [1:0]		0	0	0	0	0	0	0	0	0	0	0000h
R1069 (42Dh)	DAC Digital Volume 4R	0	0	0	0	0	0	OUT_VU	OUT4R_MUTE	OUT4R_VOL [7:0]							0180h	
R1070 (42Eh)	Out Volume 4R	0	0	0	0	0	0	0	0	OUT4R_VOL_LIM [7:0]							0081h	
R1071 (42Fh)	Noise Gate Select 4R	0	0	0	0	OUT4R_NGATE_SRC [11:0]											0080h	
R1072 (430h)	Output Path Config 5L	0	0	OUT5_OSR	0	OUT5L_ANC_SRC [1:0]		0	0	0	0	0	0	0	0	0	0	0000h
R1073 (431h)	DAC Digital Volume 5L	0	0	0	0	0	0	OUT_VU	OUT5L_MUTE	OUT5L_VOL [7:0]							0180h	
R1074 (432h)	DAC Volume Limit 5L	0	0	0	0	0	0	0	0	OUT5L_VOL_LIM [7:0]							0081h	
R1075 (433h)	Noise Gate Select 5L	0	0	0	0	OUT5L_NGATE_SRC [11:0]											0100h	
R1076 (434h)	Output Path Config 5R	0	0	0	0	OUT5R_ANC_SRC [1:0]		0	0	0	0	0	0	0	0	0	0	0000h
R1077 (435h)	DAC Digital Volume 5R	0	0	0	0	0	0	OUT_VU	OUT5R_MUTE	OUT5R_VOL [7:0]							0180h	
R1078 (436h)	DAC Volume Limit 5R	0	0	0	0	0	0	0	0	OUT5R_VOL_LIM [7:0]							0081h	
R1079 (437h)	Noise Gate Select 5R	0	0	0	0	OUT5R_NGATE_SRC [11:0]											0200h	
R1080 (438h)	Output Path Config 6L	0	0	OUT6_OSR	0	OUT6L_ANC_SRC [1:0]		0	0	0	0	0	0	0	0	0	0	0000h
R1081 (439h)	DAC Digital Volume 6L	0	0	0	0	0	0	OUT_VU	OUT6L_MUTE	OUT6L_VOL [7:0]							0180h	
R1082 (43Ah)	DAC Volume Limit 6L	0	0	0	0	0	0	0	0	OUT6L_VOL_LIM [7:0]							0081h	
R1083 (43Bh)	Noise Gate Select 6L	0	0	0	0	OUT6L_NGATE_SRC [11:0]											0400h	

REG	NAME	15	14	13	12	11	10	9	8	7	6	5	4	3	2	1	0	DEFAULT
R1084 (43Ch)	Output Path Config 6R	0	0	0	0	OUT6R_ANCE_SRC [1:0]		0	0	0	0	0	0	0	0	0	0	0000h
R1085 (43Dh)	DAC Digital Volume 6R	0	0	0	0	0	0	OUT_VU	OUT6R_MUTE	OUT6R_VOL [7:0]							0180h	
R1086 (43Eh)	DAC Volume Limit 6R	0	0	0	0	0	0	0	0	OUT6R_VOL_LIM [7:0]							0081h	
R1087 (43Fh)	Noise Gate Select 6R	0	0	0	0	OUT6R_NGATE_SRC [11:0]											0800h	
R1104 (450h)	DAC AEC Control 1	0	0	0	0	0	0	0	0	0	0	AEC_LOOPBACK_SRC [3:0]			AEC_ENA_STS	AEC_LOOPBACK_ACK_ENA	0000h	
R1112 (458h)	Noise Gate Control	0	0	0	0	0	0	0	0	0	0	NGATE_HOLD [1:0]	NGATE_THR [2:0]		NGATE_ENA	0000h		
R1168 (490h)	PDM SPK1 CTRL 1	0	0	SPK1R_MUTE	SPK1L_MUTE	0	0	0	SPK1_MUTE_ENDIAN	SPK1_MUTE_SEQ [7:0]							0069h	
R1169 (491h)	PDM SPK1 CTRL 2	0	0	0	0	0	0	0	0	0	0	0	0	0	0	0	SPK1_FMT	0000h
R1170 (492h)	PDM SPK2 CTRL 1	0	0	SPK2R_MUTE	SPK2L_MUTE	0	0	0	SPK2_MUTE_ENDIAN	SPK2_MUTE_SEQ [7:0]							0069h	
R1171 (493h)	PDM SPK2 CTRL 2	0	0	0	0	0	0	0	0	0	0	0	0	0	0	0	SPK2_FMT	0000h
R1184 (4A0h)	HP1 Short Circuit Ctrl	0	0	1	HP1_SC_ENA	0	1	0	0	1	0	0	0	0	0	0	0	3480h
R1185 (4A1h)	HP2 Short Circuit Ctrl	0	0	1	HP2_SC_ENA	0	1	0	0	1	0	0	0	0	0	0	0	3480h
R1186 (4A2h)	HP3 Short Circuit Ctrl	0	0	1	HP3_SC_ENA	0	1	0	0	1	0	0	0	0	0	0	0	3480h
R1188 (4A4h)	HP Test Ctrl 1	0	0	0	0	0	0	0	0	0	0	0	0	0	0	0	HP1_TST_CAP_SEL [1:0]	0003h
R1280 (500h)	AIF1 BCLK Ctrl	0	0	0	0	0	0	0	0	AIF1_BCLK_INV	AIF1_BCLK_FRC	AIF1_BCLK_MSTR	AIF1_BCLK_FREQ [4:0]				000Ch	
R1281 (501h)	AIF1 Tx Pin Ctrl	0	0	0	0	0	0	0	0	0	0	AIF1TX_DAT_TRI	0	AIF1TX_LRC_LK_SRC	AIF1TX_LRC_LK_INV	AIF1TX_LRC_LK_FRC	AIF1TX_LRC_LK_MSTR	0008h
R1282 (502h)	AIF1 Rx Pin Ctrl	0	0	0	0	0	0	0	0	0	0	0	0	AIF1RX_LRC_LK_INV	AIF1RX_LRC_LK_FRC	AIF1RX_LRC_LK_MSTR	0000h	
R1283 (503h)	AIF1 Rate Ctrl	0	AIF1_RATE [3:0]				0	0	0	0	AIF1_TRI	0	0	0	0	0	0	0000h
R1284 (504h)	AIF1 Format	0	0	0	0	0	0	0	0	0	0	0	0	AIF1_FMT [2:0]			0000h	
R1285 (505h)	AIF1 Tx BCLK Rate	0	0	0	AIF1TX_BCPF [12:0]											0040h		
R1286 (506h)	AIF1 Rx BCLK Rate	0	0	0	AIF1RX_BCPF [12:0]											0040h		
R1287 (507h)	AIF1 Frame Ctrl 1	0	0	AIF1TX_WL [5:0]						AIF1TX_SLOT_LEN [7:0]						1818h		



REG	NAME	15	14	13	12	11	10	9	8	7	6	5	4	3	2	1	0	DEFAULT	
R1288 (508h)	AIF1 Frame Ctrl 2	0	0	AIF1RX_WL [5:0]						AIF1RX_SLOT_LEN [7:0]						1818h			
R1289 (509h)	AIF1 Frame Ctrl 3	0	0	0	0	0	0	0	0	0	0	AIF1TX1_SLOT [5:0]						0000h	
R1290 (50Ah)	AIF1 Frame Ctrl 4	0	0	0	0	0	0	0	0	0	0	AIF1TX2_SLOT [5:0]						0001h	
R1291 (50Bh)	AIF1 Frame Ctrl 5	0	0	0	0	0	0	0	0	0	0	AIF1TX3_SLOT [5:0]						0002h	
R1292 (50Ch)	AIF1 Frame Ctrl 6	0	0	0	0	0	0	0	0	0	0	AIF1TX4_SLOT [5:0]						0003h	
R1293 (50Dh)	AIF1 Frame Ctrl 7	0	0	0	0	0	0	0	0	0	0	AIF1TX5_SLOT [5:0]						0004h	
R1294 (50Eh)	AIF1 Frame Ctrl 8	0	0	0	0	0	0	0	0	0	0	AIF1TX6_SLOT [5:0]						0005h	
R1295 (50Fh)	AIF1 Frame Ctrl 9	0	0	0	0	0	0	0	0	0	0	AIF1TX7_SLOT [5:0]						0006h	
R1296 (510h)	AIF1 Frame Ctrl 10	0	0	0	0	0	0	0	0	0	0	AIF1TX8_SLOT [5:0]						0007h	
R1297 (511h)	AIF1 Frame Ctrl 11	0	0	0	0	0	0	0	0	0	0	AIF1RX1_SLOT [5:0]						0000h	
R1298 (512h)	AIF1 Frame Ctrl 12	0	0	0	0	0	0	0	0	0	0	AIF1RX2_SLOT [5:0]						0001h	
R1299 (513h)	AIF1 Frame Ctrl 13	0	0	0	0	0	0	0	0	0	0	AIF1RX3_SLOT [5:0]						0002h	
R1300 (514h)	AIF1 Frame Ctrl 14	0	0	0	0	0	0	0	0	0	0	AIF1RX4_SLOT [5:0]						0003h	
R1301 (515h)	AIF1 Frame Ctrl 15	0	0	0	0	0	0	0	0	0	0	AIF1RX5_SLOT [5:0]						0004h	
R1302 (516h)	AIF1 Frame Ctrl 16	0	0	0	0	0	0	0	0	0	0	AIF1RX6_SLOT [5:0]						0005h	
R1303 (517h)	AIF1 Frame Ctrl 17	0	0	0	0	0	0	0	0	0	0	AIF1RX7_SLOT [5:0]						0006h	
R1304 (518h)	AIF1 Frame Ctrl 18	0	0	0	0	0	0	0	0	0	0	AIF1RX8_SLOT [5:0]						0007h	
R1305 (519h)	AIF1 Tx Enables	0	0	0	0	0	0	0	0	AIF1T X8_EN A	AIF1T X7_EN A	AIF1T X6_EN A	AIF1T X5_EN A	AIF1T X4_EN A	AIF1T X3_EN A	AIF1T X2_EN A	AIF1T X1_EN A	0000h	
R1306 (51Ah)	AIF1 Rx Enables	0	0	0	0	0	0	0	0	AIF1R X8_EN A	AIF1R X7_EN A	AIF1R X6_EN A	AIF1R X5_EN A	AIF1R X4_EN A	AIF1R X3_EN A	AIF1R X2_EN A	AIF1R X1_EN A	0000h	
R1344 (540h)	AIF2 BCLK Ctrl	0	0	0	0	0	0	0	0	AIF2_ BCLK_ INV	AIF2_ BCLK_ FRC	AIF2_ BCLK_ MSTR	AIF2_BCLK_FREQ [4:0]						000Ch
R1345 (541h)	AIF2 Tx Pin Ctrl	0	0	0	0	0	0	0	0	0	0	AIF2T X_DAT _TRI	0	AIF2T X_LRC LK_SR C	AIF2T X_LRC LK_IN V	AIF2T X_LRC LK_FR C	AIF2T X_LRC LK_M STR	0008h	
R1346 (542h)	AIF2 Rx Pin Ctrl	0	0	0	0	0	0	0	0	0	0	0	0	AIF2R X_LRC LK_IN V	AIF2R X_LRC LK_FR C	AIF2R X_LRC LK_M STR	0000h		
R1347 (543h)	AIF2 Rate Ctrl	0	AIF2_RATE [3:0]						0	0	0	0	AIF2_ TRI	0	0	0	0	0	0000h
R1348 (544h)	AIF2 Format	0	0	0	0	0	0	0	0	0	0	0	0	0	AIF2_FMT [2:0]			0000h	
R1349 (545h)	AIF2 Tx BCLK Rate	0	0	0	AIF2TX_BCPF [12:0]												0040h		
R1350 (546h)	AIF2 Rx BCLK Rate	0	0	0	AIF2RX_BCPF [12:0]												0040h		
R1351 (547h)	AIF2 Frame Ctrl 1	0	0	AIF2TX_WL [5:0]						AIF2TX_SLOT_LEN [7:0]						1818h			
R1352 (548h)	AIF2 Frame Ctrl 2	0	0	AIF2RX_WL [5:0]						AIF2RX_SLOT_LEN [7:0]						1818h			
R1353 (549h)	AIF2 Frame Ctrl 3	0	0	0	0	0	0	0	0	0	0	AIF2TX1_SLOT [5:0]						0000h	
R1354 (54Ah)	AIF2 Frame Ctrl 4	0	0	0	0	0	0	0	0	0	0	AIF2TX2_SLOT [5:0]						0001h	

REG	NAME	15	14	13	12	11	10	9	8	7	6	5	4	3	2	1	0	DEFAULT	
R1355 (54Bh)	AIF2 Frame Ctrl 5	0	0	0	0	0	0	0	0	0	0	AIF2TX3_SLOT [5:0]						0002h	
R1356 (54Ch)	AIF2 Frame Ctrl 6	0	0	0	0	0	0	0	0	0	0	AIF2TX4_SLOT [5:0]						0003h	
R1357 (54Dh)	AIF2 Frame Ctrl 7	0	0	0	0	0	0	0	0	0	0	AIF2TX5_SLOT [5:0]						0004h	
R1358 (54Eh)	AIF2 Frame Ctrl 8	0	0	0	0	0	0	0	0	0	0	AIF2TX6_SLOT [5:0]						0005h	
R1361 (551h)	AIF2 Frame Ctrl 11	0	0	0	0	0	0	0	0	0	0	AIF2RX1_SLOT [5:0]						0000h	
R1362 (552h)	AIF2 Frame Ctrl 12	0	0	0	0	0	0	0	0	0	0	AIF2RX2_SLOT [5:0]						0001h	
R1363 (553h)	AIF2 Frame Ctrl 13	0	0	0	0	0	0	0	0	0	0	AIF2RX3_SLOT [5:0]						0002h	
R1364 (554h)	AIF2 Frame Ctrl 14	0	0	0	0	0	0	0	0	0	0	AIF2RX4_SLOT [5:0]						0003h	
R1365 (555h)	AIF2 Frame Ctrl 15	0	0	0	0	0	0	0	0	0	0	AIF2RX5_SLOT [5:0]						0004h	
R1366 (556h)	AIF2 Frame Ctrl 16	0	0	0	0	0	0	0	0	0	0	AIF2RX6_SLOT [5:0]						0005h	
R1369 (559h)	AIF2 Tx Enables	0	0	0	0	0	0	0	0	0	0	AIF2X6_ENA	AIF2X5_ENA	AIF2X4_ENA	AIF2X3_ENA	AIF2X2_ENA	AIF2X1_ENA	0000h	
R1370 (55Ah)	AIF2 Rx Enables	0	0	0	0	0	0	0	0	0	0	AIF2RX6_ENA	AIF2RX5_ENA	AIF2RX4_ENA	AIF2RX3_ENA	AIF2RX2_ENA	AIF2RX1_ENA	0000h	
R1408 (580h)	AIF3 BCLK Ctrl	0	0	0	0	0	0	0	0	AIF3_BCLK_INV	AIF3_BCLK_FRC	AIF3_BCLK_MSTR	AIF3_BCLK_FREQ [4:0]					000Ch	
R1409 (581h)	AIF3 Tx Pin Ctrl	0	0	0	0	0	0	0	0	0	0	AIF3TX_DAT_TRI	AIF3TX_LRC_LK_SRC	AIF3TX_LRC_LK_INV	AIF3TX_LRC_LK_FRC	AIF3TX_LRC_LK_MSTR	0008h		
R1410 (582h)	AIF3 Rx Pin Ctrl	0	0	0	0	0	0	0	0	0	0	0	AIF3RX_LRC_LK_INV	AIF3RX_LRC_LK_FRC	AIF3RX_LRC_LK_MSTR	0000h			
R1411 (583h)	AIF3 Rate Ctrl	0	AIF3_RATE [3:0]					0	0	0	0	AIF3_TRI	0	0	0	0	0	0	0000h
R1412 (584h)	AIF3 Format	0	0	0	0	0	0	0	0	0	0	0	0	AIF3_FMT [2:0]				0000h	
R1413 (585h)	AIF3 Tx BCLK Rate	0	0	0	AIF3TX_BCPF [12:0]												0040h		
R1414 (586h)	AIF3 Rx BCLK Rate	0	0	0	AIF3RX_BCPF [12:0]												0040h		
R1415 (587h)	AIF3 Frame Ctrl 1	0	0	AIF3TX_WL [5:0]						AIF3TX_SLOT_LEN [7:0]						1818h			
R1416 (588h)	AIF3 Frame Ctrl 2	0	0	AIF3RX_WL [5:0]						AIF3RX_SLOT_LEN [7:0]						1818h			
R1417 (589h)	AIF3 Frame Ctrl 3	0	0	0	0	0	0	0	0	0	AIF3TX1_SLOT [5:0]						0000h		
R1418 (58Ah)	AIF3 Frame Ctrl 4	0	0	0	0	0	0	0	0	0	AIF3TX2_SLOT [5:0]						0001h		
R1425 (591h)	AIF3 Frame Ctrl 11	0	0	0	0	0	0	0	0	0	AIF3RX1_SLOT [5:0]						0000h		
R1426 (592h)	AIF3 Frame Ctrl 12	0	0	0	0	0	0	0	0	0	AIF3RX2_SLOT [5:0]						0001h		
R1433 (599h)	AIF3 Tx Enables	0	0	0	0	0	0	0	0	0	0	0	0	0	AIF3TX2_ENA	AIF3TX1_ENA	0000h		
R1434 (59Ah)	AIF3 Rx Enables	0	0	0	0	0	0	0	0	0	0	0	0	0	AIF3RX2_ENA	AIF3RX1_ENA	0000h		

REG	NAME	15	14	13	12	11	10	9	8	7	6	5	4	3	2	1	0	DEFAULT
R1490 (05D2h)	SLIMbus RX Ports0	0	0	SLIMRX2_PORT_ADDR [5:0]						0	0	SLIMRX1_PORT_ADDR [5:0]						0100h
R1491 (05D3h)	SLIMbus RX Ports1	0	0	SLIMRX4_PORT_ADDR [5:0]						0	0	SLIMRX3_PORT_ADDR [5:0]						0302h
R1492 (05D4h)	SLIMbus RX Ports2	0	0	SLIMRX6_PORT_ADDR [5:0]						0	0	SLIMRX5_PORT_ADDR [5:0]						0504h
R1493 (05D5h)	SLIMbus RX Ports3	0	0	SLIMRX8_PORT_ADDR [5:0]						0	0	SLIMRX7_PORT_ADDR [5:0]						0706h
R1494 (05D6h)	SLIMbus TX Ports0	0	0	SLIMTX2_PORT_ADDR [5:0]						0	0	SLIMTX1_PORT_ADDR [5:0]						0908h
R1495 (05D7h)	SLIMbus TX Ports1	0	0	SLIMTX4_PORT_ADDR [5:0]						0	0	SLIMTX3_PORT_ADDR [5:0]						0B0Ah
R1496 (05D8h)	SLIMbus TX Ports2	0	0	SLIMTX6_PORT_ADDR [5:0]						0	0	SLIMTX5_PORT_ADDR [5:0]						0D0Ch
R1497 (05D9h)	SLIMbus TX Ports3	0	0	SLIMTX8_PORT_ADDR [5:0]						0	0	SLIMTX7_PORT_ADDR [5:0]						0F0Eh
R1507 (5E3h)	SLIMbus Framer Ref Gear	0	0	0	0	0	0	0	0	0	0	0	SLIMCLK_REF_GEAR [3:0]	0	0	0	0004h	
R1509 (5E5h)	SLIMbus Rates 1	0	SLIMRX2_RATE [3:0]			0	0	0	0	SLIMRX1_RATE [3:0]			0	0	0	0000h		
R1510 (5E6h)	SLIMbus Rates 2	0	SLIMRX4_RATE [3:0]			0	0	0	0	SLIMRX3_RATE [3:0]			0	0	0	0000h		
R1511 (5E7h)	SLIMbus Rates 3	0	SLIMRX6_RATE [3:0]			0	0	0	0	SLIMRX5_RATE [3:0]			0	0	0	0000h		
R1512 (5E8h)	SLIMbus Rates 4	0	SLIMRX8_RATE [3:0]			0	0	0	0	SLIMRX7_RATE [3:0]			0	0	0	0000h		
R1513 (5E9h)	SLIMbus Rates 5	0	SLIMTX2_RATE [3:0]			0	0	0	0	SLIMTX1_RATE [3:0]			0	0	0	0000h		
R1514 (5EAh)	SLIMbus Rates 6	0	SLIMTX4_RATE [3:0]			0	0	0	0	SLIMTX3_RATE [3:0]			0	0	0	0000h		
R1515 (5EBh)	SLIMbus Rates 7	0	SLIMTX6_RATE [3:0]			0	0	0	0	SLIMTX5_RATE [3:0]			0	0	0	0000h		
R1516 (5ECh)	SLIMbus Rates 8	0	SLIMTX8_RATE [3:0]			0	0	0	0	SLIMTX7_RATE [3:0]			0	0	0	0000h		
R1525 (5F5h)	SLIMbus RX Channel Enable	0	0	0	0	0	0	0	0	SLIMRX8_EN_A	SLIMRX7_EN_A	SLIMRX6_EN_A	SLIMRX5_EN_A	SLIMRX4_EN_A	SLIMRX3_EN_A	SLIMRX2_EN_A	SLIMRX1_EN_A	0000h
R1526 (5F6h)	SLIMbus TX Channel Enable	0	0	0	0	0	0	0	0	SLIMTX8_EN_A	SLIMTX7_EN_A	SLIMTX6_EN_A	SLIMTX5_EN_A	SLIMTX4_EN_A	SLIMTX3_EN_A	SLIMTX2_EN_A	SLIMTX1_EN_A	0000h
R1527 (5F7h)	SLIMbus RX Port Status	0	0	0	0	0	0	0	0	SLIMRX8_RT_STS	SLIMRX7_RT_STS	SLIMRX6_RT_STS	SLIMRX5_RT_STS	SLIMRX4_RT_STS	SLIMRX3_RT_STS	SLIMRX2_RT_STS	SLIMRX1_RT_STS	0000h
R1528 (5F8h)	SLIMbus TX Port Status	0	0	0	0	0	0	0	0	SLIMTX8_RT_STS	SLIMTX7_RT_STS	SLIMTX6_RT_STS	SLIMTX5_RT_STS	SLIMTX4_RT_STS	SLIMTX3_RT_STS	SLIMTX2_RT_STS	SLIMTX1_RT_STS	0000h
R1600 (640h)	PWM1MIX Input 1 Source	PWM1MIX_TS1	0	0	0	0	0	0	0	PWM1MIX_SRC1 [7:0]							0000h	
R1601 (641h)	PWM1MIX Input 1 Volume	0	0	0	0	0	0	0	0	PWM1MIX_VOL1 [6:0]						0	0080h	
R1602 (642h)	PWM1MIX Input 2 Source	PWM1MIX_TS2	0	0	0	0	0	0	0	PWM1MIX_SRC2 [7:0]							0000h	
R1603 (643h)	PWM1MIX Input 2 Volume	0	0	0	0	0	0	0	0	PWM1MIX_VOL2 [6:0]						0	0080h	
R1604 (644h)	PWM1MIX Input 3 Source	PWM1MIX_TS3	0	0	0	0	0	0	0	PWM1MIX_SRC3 [7:0]							0000h	

REG	NAME	15	14	13	12	11	10	9	8	7	6	5	4	3	2	1	0	DEFAULT
R1605 (645h)	PWM1MIX Input 3 Volume	0	0	0	0	0	0	0	0	PWM1MIX_VOL3 [6:0]						0	0080h	
R1606 (646h)	PWM1MIX Input 4 Source	PWM1 MIX_S TS4	0	0	0	0	0	0	0	PWM1MIX_SRC4 [7:0]						0000h		
R1607 (647h)	PWM1MIX Input 4 Volume	0	0	0	0	0	0	0	0	PWM1MIX_VOL4 [6:0]						0	0080h	
R1608 (648h)	PWM2MIX Input 1 Source	PWM2 MIX_S TS1	0	0	0	0	0	0	0	PWM2MIX_SRC1 [7:0]						0000h		
R1609 (649h)	PWM2MIX Input 1 Volume	0	0	0	0	0	0	0	0	PWM2MIX_VOL1 [6:0]						0	0080h	
R1610 (64Ah)	PWM2MIX Input 2 Source	PWM2 MIX_S TS2	0	0	0	0	0	0	0	PWM2MIX_SRC2 [7:0]						0000h		
R1611 (64Bh)	PWM2MIX Input 2 Volume	0	0	0	0	0	0	0	0	PWM2MIX_VOL2 [6:0]						0	0080h	
R1612 (64Ch)	PWM2MIX Input 3 Source	PWM2 MIX_S TS3	0	0	0	0	0	0	0	PWM2MIX_SRC3 [7:0]						0000h		
R1613 (64Dh)	PWM2MIX Input 3 Volume	0	0	0	0	0	0	0	0	PWM2MIX_VOL3 [6:0]						0	0080h	
R1614 (64Eh)	PWM2MIX Input 4 Source	PWM2 MIX_S TS4	0	0	0	0	0	0	0	PWM2MIX_SRC4 [7:0]						0000h		
R1615 (64Fh)	PWM2MIX Input 4 Volume	0	0	0	0	0	0	0	0	PWM2MIX_VOL4 [6:0]						0	0080h	
R1632 (660h)	MICMIX Input 1 Source	MICMI X_STS 1	0	0	0	0	0	0	0	MICMIX_SRC1 [7:0]						0000h		
R1633 (661h)	MICMIX Input 1 Volume	0	0	0	0	0	0	0	0	MICMIX_VOL1 [6:0]						0	0080h	
R1634 (662h)	MICMIX Input 2 Source	MICMI X_STS 2	0	0	0	0	0	0	0	MICMIX_SRC2 [7:0]						0000h		
R1635 (663h)	MICMIX Input 2 Volume	0	0	0	0	0	0	0	0	MICMIX_VOL2 [6:0]						0	0080h	
R1636 (664h)	MICMIX Input 3 Source	MICMI X_STS 3	0	0	0	0	0	0	0	MICMIX_SRC3 [7:0]						0000h		
R1637 (665h)	MICMIX Input 3 Volume	0	0	0	0	0	0	0	0	MICMIX_VOL3 [6:0]						0	0080h	
R1638 (666h)	MICMIX Input 4 Source	MICMI X_STS 4	0	0	0	0	0	0	0	MICMIX_SRC4 [7:0]						0000h		
R1639 (667h)	MICMIX Input 4 Volume	0	0	0	0	0	0	0	0	MICMIX_VOL4 [6:0]						0	0080h	
R1640 (668h)	NOISEMIX Input 1 Source	NOISE MIX_S TS1	0	0	0	0	0	0	0	NOISEMIX_SRC1 [7:0]						0000h		
R1641 (669h)	NOISEMIX Input 1 Volume	0	0	0	0	0	0	0	0	NOISEMIX_VOL1 [6:0]						0	0080h	
R1642 (66Ah)	NOISEMIX Input 2 Source	NOISE MIX_S TS2	0	0	0	0	0	0	0	NOISEMIX_SRC2 [7:0]						0000h		
R1643 (66Bh)	NOISEMIX Input 2 Volume	0	0	0	0	0	0	0	0	NOISEMIX_VOL2 [6:0]						0	0080h	

REG	NAME	15	14	13	12	11	10	9	8	7	6	5	4	3	2	1	0	DEFAULT
R1644 (66Ch)	NOISEMIX Input 3 Source	NOISE MIX_S TS3	0	0	0	0	0	0	0	NOISEMIX_SRC3 [7:0]							0000h	
R1645 (66Dh)	NOISEMIX Input 3 Volume		0	0	0	0	0	0	0	NOISEMIX_VOL3 [6:0]						0	0080h	
R1646 (66Eh)	NOISEMIX Input 4 Source	NOISE MIX_S TS4	0	0	0	0	0	0	0	NOISEMIX_SRC4 [7:0]							0000h	
R1647 (66Fh)	NOISEMIX Input 4 Volume		0	0	0	0	0	0	0	NOISEMIX_VOL4 [6:0]						0	0080h	
R1664 (680h)	OUT1LMIX Input 1 Source	OUT1L MIX_S TS1	0	0	0	0	0	0	0	OUT1LMIX_SRC1 [7:0]							0000h	
R1665 (681h)	OUT1LMIX Input 1 Volume		0	0	0	0	0	0	0	OUT1LMIX_VOL1 [6:0]						0	0080h	
R1666 (682h)	OUT1LMIX Input 2 Source	OUT1L MIX_S TS2	0	0	0	0	0	0	0	OUT1LMIX_SRC2 [7:0]							0000h	
R1667 (683h)	OUT1LMIX Input 2 Volume		0	0	0	0	0	0	0	OUT1LMIX_VOL2 [6:0]						0	0080h	
R1668 (684h)	OUT1LMIX Input 3 Source	OUT1L MIX_S TS3	0	0	0	0	0	0	0	OUT1LMIX_SRC3 [7:0]							0000h	
R1669 (685h)	OUT1LMIX Input 3 Volume		0	0	0	0	0	0	0	OUT1LMIX_VOL3 [6:0]						0	0080h	
R1670 (686h)	OUT1LMIX Input 4 Source	OUT1L MIX_S TS4	0	0	0	0	0	0	0	OUT1LMIX_SRC4 [7:0]							0000h	
R1671 (687h)	OUT1LMIX Input 4 Volume		0	0	0	0	0	0	0	OUT1LMIX_VOL4 [6:0]						0	0080h	
R1672 (688h)	OUT1RMIX Input 1 Source	OUT1 RMIX_STS1	0	0	0	0	0	0	0	OUT1RMIX_SRC1 [7:0]							0000h	
R1673 (689h)	OUT1RMIX Input 1 Volume		0	0	0	0	0	0	0	OUT1RMIX_VOL1 [6:0]						0	0080h	
R1674 (68Ah)	OUT1RMIX Input 2 Source	OUT1 RMIX_STS2	0	0	0	0	0	0	0	OUT1RMIX_SRC2 [7:0]							0000h	
R1675 (68Bh)	OUT1RMIX Input 2 Volume		0	0	0	0	0	0	0	OUT1RMIX_VOL2 [6:0]						0	0080h	
R1676 (68Ch)	OUT1RMIX Input 3 Source	OUT1 RMIX_STS3	0	0	0	0	0	0	0	OUT1RMIX_SRC3 [7:0]							0000h	
R1677 (68Dh)	OUT1RMIX Input 3 Volume		0	0	0	0	0	0	0	OUT1RMIX_VOL3 [6:0]						0	0080h	
R1678 (68Eh)	OUT1RMIX Input 4 Source	OUT1 RMIX_STS4	0	0	0	0	0	0	0	OUT1RMIX_SRC4 [7:0]							0000h	
R1679 (68Fh)	OUT1RMIX Input 4 Volume		0	0	0	0	0	0	0	OUT1RMIX_VOL4 [6:0]						0	0080h	
R1680 (690h)	OUT2LMIX Input 1 Source	OUT2L MIX_S TS1	0	0	0	0	0	0	0	OUT2LMIX_SRC1 [7:0]							0000h	
R1681 (691h)	OUT2LMIX Input 1 Volume		0	0	0	0	0	0	0	OUT2LMIX_VOL1 [6:0]						0	0080h	
R1682 (692h)	OUT2LMIX Input 2 Source	OUT2L MIX_S TS2	0	0	0	0	0	0	0	OUT2LMIX_SRC2 [7:0]							0000h	

REG	NAME	15	14	13	12	11	10	9	8	7	6	5	4	3	2	1	0	DEFAULT
R1683 (693h)	OUT2LMIX Input 2 Volume	0	0	0	0	0	0	0	0	OUT2LMIX_VOL2 [6:0]						0	0080h	
R1684 (694h)	OUT2LMIX Input 3 Source	OUT2L MIX_S TS3	0	0	0	0	0	0	0	OUT2LMIX_SRC3 [7:0]						0000h		
R1685 (695h)	OUT2LMIX Input 3 Volume	0	0	0	0	0	0	0	0	OUT2LMIX_VOL3 [6:0]						0	0080h	
R1686 (696h)	OUT2LMIX Input 4 Source	OUT2L MIX_S TS4	0	0	0	0	0	0	0	OUT2LMIX_SRC4 [7:0]						0000h		
R1687 (697h)	OUT2LMIX Input 4 Volume	0	0	0	0	0	0	0	0	OUT2LMIX_VOL4 [6:0]						0	0080h	
R1688 (698h)	OUT2RMIX Input 1 Source	OUT2 RMIX_ STS1	0	0	0	0	0	0	0	OUT2RMIX_SRC1 [7:0]						0000h		
R1689 (699h)	OUT2RMIX Input 1 Volume	0	0	0	0	0	0	0	0	OUT2RMIX_VOL1 [6:0]						0	0080h	
R1690 (69Ah)	OUT2RMIX Input 2 Source	OUT2 RMIX_ STS2	0	0	0	0	0	0	0	OUT2RMIX_SRC2 [7:0]						0000h		
R1691 (69Bh)	OUT2RMIX Input 2 Volume	0	0	0	0	0	0	0	0	OUT2RMIX_VOL2 [6:0]						0	0080h	
R1692 (69Ch)	OUT2RMIX Input 3 Source	OUT2 RMIX_ STS3	0	0	0	0	0	0	0	OUT2RMIX_SRC3 [7:0]						0000h		
R1693 (69Dh)	OUT2RMIX Input 3 Volume	0	0	0	0	0	0	0	0	OUT2RMIX_VOL3 [6:0]						0	0080h	
R1694 (69Eh)	OUT2RMIX Input 4 Source	OUT2 RMIX_ STS4	0	0	0	0	0	0	0	OUT2RMIX_SRC4 [7:0]						0000h		
R1695 (69Fh)	OUT2RMIX Input 4 Volume	0	0	0	0	0	0	0	0	OUT2RMIX_VOL4 [6:0]						0	0080h	
R1696 (6A0h)	OUT3LMIX Input 1 Source	OUT3L MIX_S TS1	0	0	0	0	0	0	0	OUT3LMIX_SRC1 [7:0]						0000h		
R1697 (6A1h)	OUT3LMIX Input 1 Volume	0	0	0	0	0	0	0	0	OUT3LMIX_VOL1 [6:0]						0	0080h	
R1698 (6A2h)	OUT3LMIX Input 2 Source	OUT3L MIX_S TS2	0	0	0	0	0	0	0	OUT3LMIX_SRC2 [7:0]						0000h		
R1699 (6A3h)	OUT3LMIX Input 2 Volume	0	0	0	0	0	0	0	0	OUT3LMIX_VOL2 [6:0]						0	0080h	
R1700 (6A4h)	OUT3LMIX Input 3 Source	OUT3L MIX_S TS3	0	0	0	0	0	0	0	OUT3LMIX_SRC3 [7:0]						0000h		
R1701 (6A5h)	OUT3LMIX Input 3 Volume	0	0	0	0	0	0	0	0	OUT3LMIX_VOL3 [6:0]						0	0080h	
R1702 (6A6h)	OUT3LMIX Input 4 Source	OUT3L MIX_S TS4	0	0	0	0	0	0	0	OUT3LMIX_SRC4 [7:0]						0000h		
R1703 (6A7h)	OUT3LMIX Input 4 Volume	0	0	0	0	0	0	0	0	OUT3LMIX_VOL4 [6:0]						0	0080h	
R1704 (6A8h)	OUT3RMIX Input 1 Source	OUT3 RMIX_ STS1	0	0	0	0	0	0	0	OUT3RMIX_SRC1 [7:0]						0000h		
R1705 (6A9h)	OUT3RMIX Input 1 Volume	0	0	0	0	0	0	0	0	OUT3RMIX_VOL1 [6:0]						0	0080h	

REG	NAME	15	14	13	12	11	10	9	8	7	6	5	4	3	2	1	0	DEFAULT
R1706 (6AAh)	OUT3RMIX Input 2 Source	OUT3 RMIX_ STS2	0	0	0	0	0	0	0	OUT3RMIX_SRC2 [7:0]							0000h	
R1707 (6ABh)	OUT3RMIX Input 2 Volume	0	0	0	0	0	0	0	0	OUT3RMIX_VOL2 [6:0]						0	0080h	
R1708 (6ACh)	OUT3RMIX Input 3 Source	OUT3 RMIX_ STS3	0	0	0	0	0	0	0	OUT3RMIX_SRC3 [7:0]							0000h	
R1709 (6ADh)	OUT3RMIX Input 3 Volume	0	0	0	0	0	0	0	0	OUT3RMIX_VOL3 [6:0]						0	0080h	
R1710 (6AEh)	OUT3RMIX Input 4 Source	OUT3 RMIX_ STS4	0	0	0	0	0	0	0	OUT3RMIX_SRC4 [7:0]							0000h	
R1711 (6AFh)	OUT3RMIX Input 4 Volume	0	0	0	0	0	0	0	0	OUT3RMIX_VOL4 [6:0]						0	0080h	
R1712 (6B0h)	OUT4LMIX Input 1 Source	OUT4L MIX_S TS1	0	0	0	0	0	0	0	OUT4LMIX_SRC1 [7:0]							0000h	
R1713 (6B1h)	OUT4LMIX Input 1 Volume	0	0	0	0	0	0	0	0	OUT4LMIX_VOL1 [6:0]						0	0080h	
R1714 (6B2h)	OUT4LMIX Input 2 Source	OUT4L MIX_S TS2	0	0	0	0	0	0	0	OUT4LMIX_SRC2 [7:0]							0000h	
R1715 (6B3h)	OUT4LMIX Input 2 Volume	0	0	0	0	0	0	0	0	OUT4LMIX_VOL2 [6:0]						0	0080h	
R1716 (6B4h)	OUT4LMIX Input 3 Source	OUT4L MIX_S TS3	0	0	0	0	0	0	0	OUT4LMIX_SRC3 [7:0]							0000h	
R1717 (6B5h)	OUT4LMIX Input 3 Volume	0	0	0	0	0	0	0	0	OUT4LMIX_VOL3 [6:0]						0	0080h	
R1718 (6B6h)	OUT4LMIX Input 4 Source	OUT4L MIX_S TS4	0	0	0	0	0	0	0	OUT4LMIX_SRC4 [7:0]							0000h	
R1719 (6B7h)	OUT4LMIX Input 4 Volume	0	0	0	0	0	0	0	0	OUT4LMIX_VOL4 [6:0]						0	0080h	
R1720 (6B8h)	OUT4RMIX Input 1 Source	OUT4 RMIX_ STS1	0	0	0	0	0	0	0	OUT4RMIX_SRC1 [7:0]							0000h	
R1721 (6B9h)	OUT4RMIX Input 1 Volume	0	0	0	0	0	0	0	0	OUT4RMIX_VOL1 [6:0]						0	0080h	
R1722 (6BAh)	OUT4RMIX Input 2 Source	OUT4 RMIX_ STS2	0	0	0	0	0	0	0	OUT4RMIX_SRC2 [7:0]							0000h	
R1723 (6BBh)	OUT4RMIX Input 2 Volume	0	0	0	0	0	0	0	0	OUT4RMIX_VOL2 [6:0]						0	0080h	
R1724 (6BCh)	OUT4RMIX Input 3 Source	OUT4 RMIX_ STS3	0	0	0	0	0	0	0	OUT4RMIX_SRC3 [7:0]							0000h	
R1725 (6BDh)	OUT4RMIX Input 3 Volume	0	0	0	0	0	0	0	0	OUT4RMIX_VOL3 [6:0]						0	0080h	
R1726 (6BEh)	OUT4RMIX Input 4 Source	OUT4 RMIX_ STS4	0	0	0	0	0	0	0	OUT4RMIX_SRC4 [7:0]							0000h	
R1727 (6BFh)	OUT4RMIX Input 4 Volume	0	0	0	0	0	0	0	0	OUT4RMIX_VOL4 [6:0]						0	0080h	
R1728 (6C0h)	OUT5LMIX Input 1 Source	OUT5L MIX_S TS1	0	0	0	0	0	0	0	OUT5LMIX_SRC1 [7:0]							0000h	

REG	NAME	15	14	13	12	11	10	9	8	7	6	5	4	3	2	1	0	DEFAULT
R1729 (6C1h)	OUT5LMIX Input 1 Volume	0	0	0	0	0	0	0	0	OUT5LMIX_VOL1 [6:0]						0	0080h	
R1730 (6C2h)	OUT5LMIX Input 2 Source	OUT5L MIX_S TS2	0	0	0	0	0	0	0	OUT5LMIX_SRC2 [7:0]						0000h		
R1731 (6C3h)	OUT5LMIX Input 2 Volume	0	0	0	0	0	0	0	0	OUT5LMIX_VOL2 [6:0]						0	0080h	
R1732 (6C4h)	OUT5LMIX Input 3 Source	OUT5L MIX_S TS3	0	0	0	0	0	0	0	OUT5LMIX_SRC3 [7:0]						0000h		
R1733 (6C5h)	OUT5LMIX Input 3 Volume	0	0	0	0	0	0	0	0	OUT5LMIX_VOL3 [6:0]						0	0080h	
R1734 (6C6h)	OUT5LMIX Input 4 Source	OUT5L MIX_S TS4	0	0	0	0	0	0	0	OUT5LMIX_SRC4 [7:0]						0000h		
R1735 (6C7h)	OUT5LMIX Input 4 Volume	0	0	0	0	0	0	0	0	OUT5LMIX_VOL4 [6:0]						0	0080h	
R1736 (6C8h)	OUT5RMIX Input 1 Source	OUT5 RMIX_ STS1	0	0	0	0	0	0	0	OUT5RMIX_SRC1 [7:0]						0000h		
R1737 (6C9h)	OUT5RMIX Input 1 Volume	0	0	0	0	0	0	0	0	OUT5RMIX_VOL1 [6:0]						0	0080h	
R1738 (6CAh)	OUT5RMIX Input 2 Source	OUT5 RMIX_ STS2	0	0	0	0	0	0	0	OUT5RMIX_SRC2 [7:0]						0000h		
R1739 (6CBh)	OUT5RMIX Input 2 Volume	0	0	0	0	0	0	0	0	OUT5RMIX_VOL2 [6:0]						0	0080h	
R1740 (6CCh)	OUT5RMIX Input 3 Source	OUT5 RMIX_ STS3	0	0	0	0	0	0	0	OUT5RMIX_SRC3 [7:0]						0000h		
R1741 (6CDh)	OUT5RMIX Input 3 Volume	0	0	0	0	0	0	0	0	OUT5RMIX_VOL3 [6:0]						0	0080h	
R1742 (6CEh)	OUT5RMIX Input 4 Source	OUT5 RMIX_ STS4	0	0	0	0	0	0	0	OUT5RMIX_SRC4 [7:0]						0000h		
R1743 (6CFh)	OUT5RMIX Input 4 Volume	0	0	0	0	0	0	0	0	OUT5RMIX_VOL4 [6:0]						0	0080h	
R1744 (6D0h)	OUT6LMIX Input 1 Source	OUT6L MIX_S TS1	0	0	0	0	0	0	0	OUT6LMIX_SRC1 [7:0]						0000h		
R1745 (6D1h)	OUT6LMIX Input 1 Volume	0	0	0	0	0	0	0	0	OUT6LMIX_VOL1 [6:0]						0	0080h	
R1746 (6D2h)	OUT6LMIX Input 2 Source	OUT6L MIX_S TS2	0	0	0	0	0	0	0	OUT6LMIX_SRC2 [7:0]						0000h		
R1747 (6D3h)	OUT6LMIX Input 2 Volume	0	0	0	0	0	0	0	0	OUT6LMIX_VOL2 [6:0]						0	0080h	
R1748 (6D4h)	OUT6LMIX Input 3 Source	OUT6L MIX_S TS3	0	0	0	0	0	0	0	OUT6LMIX_SRC3 [7:0]						0000h		
R1749 (6D5h)	OUT6LMIX Input 3 Volume	0	0	0	0	0	0	0	0	OUT6LMIX_VOL3 [6:0]						0	0080h	
R1750 (6D6h)	OUT6LMIX Input 4 Source	OUT6L MIX_S TS4	0	0	0	0	0	0	0	OUT6LMIX_SRC4 [7:0]						0000h		
R1751 (6D7h)	OUT6LMIX Input 4 Volume	0	0	0	0	0	0	0	0	OUT6LMIX_VOL4 [6:0]						0	0080h	



REG	NAME	15	14	13	12	11	10	9	8	7	6	5	4	3	2	1	0	DEFAULT
R1752 (6D8h)	OUT6RMIX Input 1 Source	OUT6RMIX_STS1	0	0	0	0	0	0	0	OUT6RMIX_SRC1 [7:0]							0000h	
R1753 (6D9h)	OUT6RMIX Input 1 Volume		0	0	0	0	0	0	0	OUT6RMIX_VOL1 [6:0]						0	0080h	
R1754 (6DAh)	OUT6RMIX Input 2 Source	OUT6RMIX_STS2	0	0	0	0	0	0	0	OUT6RMIX_SRC2 [7:0]							0000h	
R1755 (6DBh)	OUT6RMIX Input 2 Volume		0	0	0	0	0	0	0	OUT6RMIX_VOL2 [6:0]						0	0080h	
R1756 (6DCh)	OUT6RMIX Input 3 Source	OUT6RMIX_STS3	0	0	0	0	0	0	0	OUT6RMIX_SRC3 [7:0]							0000h	
R1757 (6DDh)	OUT6RMIX Input 3 Volume		0	0	0	0	0	0	0	OUT6RMIX_VOL3 [6:0]						0	0080h	
R1758 (6DEh)	OUT6RMIX Input 4 Source	OUT6RMIX_STS4	0	0	0	0	0	0	0	OUT6RMIX_SRC4 [7:0]							0000h	
R1759 (6DFh)	OUT6RMIX Input 4 Volume		0	0	0	0	0	0	0	OUT6RMIX_VOL4 [6:0]						0	0080h	
R1792 (700h)	AIF1TX1MIX Input 1 Source	AIF1TX1MIX_STS1	0	0	0	0	0	0	0	AIF1TX1MIX_SRC1 [7:0]							0000h	
R1793 (701h)	AIF1TX1MIX Input 1 Volume		0	0	0	0	0	0	0	AIF1TX1MIX_VOL1 [6:0]						0	0080h	
R1794 (702h)	AIF1TX1MIX Input 2 Source	AIF1TX1MIX_STS2	0	0	0	0	0	0	0	AIF1TX1MIX_SRC2 [7:0]							0000h	
R1795 (703h)	AIF1TX1MIX Input 2 Volume		0	0	0	0	0	0	0	AIF1TX1MIX_VOL2 [6:0]						0	0080h	
R1796 (704h)	AIF1TX1MIX Input 3 Source	AIF1TX1MIX_STS3	0	0	0	0	0	0	0	AIF1TX1MIX_SRC3 [7:0]							0000h	
R1797 (705h)	AIF1TX1MIX Input 3 Volume		0	0	0	0	0	0	0	AIF1TX1MIX_VOL3 [6:0]						0	0080h	
R1798 (706h)	AIF1TX1MIX Input 4 Source	AIF1TX1MIX_STS4	0	0	0	0	0	0	0	AIF1TX1MIX_SRC4 [7:0]							0000h	
R1799 (707h)	AIF1TX1MIX Input 4 Volume		0	0	0	0	0	0	0	AIF1TX1MIX_VOL4 [6:0]						0	0080h	
R1800 (708h)	AIF1TX2MIX Input 1 Source	AIF1TX2MIX_STS1	0	0	0	0	0	0	0	AIF1TX2MIX_SRC1 [7:0]							0000h	
R1801 (709h)	AIF1TX2MIX Input 1 Volume		0	0	0	0	0	0	0	AIF1TX2MIX_VOL1 [6:0]						0	0080h	
R1802 (70Ah)	AIF1TX2MIX Input 2 Source	AIF1TX2MIX_STS2	0	0	0	0	0	0	0	AIF1TX2MIX_SRC2 [7:0]							0000h	
R1803 (70Bh)	AIF1TX2MIX Input 2 Volume		0	0	0	0	0	0	0	AIF1TX2MIX_VOL2 [6:0]						0	0080h	
R1804 (70Ch)	AIF1TX2MIX Input 3 Source	AIF1TX2MIX_STS3	0	0	0	0	0	0	0	AIF1TX2MIX_SRC3 [7:0]							0000h	
R1805 (70Dh)	AIF1TX2MIX Input 3 Volume		0	0	0	0	0	0	0	AIF1TX2MIX_VOL3 [6:0]						0	0080h	
R1806 (70Eh)	AIF1TX2MIX Input 4 Source	AIF1TX2MIX_STS4	0	0	0	0	0	0	0	AIF1TX2MIX_SRC4 [7:0]							0000h	

REG	NAME	15	14	13	12	11	10	9	8	7	6	5	4	3	2	1	0	DEFAULT
R1807 (70Fh)	AIF1TX2MIX Input 4 Volume	0	0	0	0	0	0	0	0	AIF1TX2MIX_VOL4 [6:0]							0	0080h
R1808 (710h)	AIF1TX3MIX Input 1 Source	AIF1T X3MIX _STS1	0	0	0	0	0	0	0	AIF1TX3MIX_SRC1 [7:0]							0000h	
R1809 (711h)	AIF1TX3MIX Input 1 Volume	0	0	0	0	0	0	0	0	AIF1TX3MIX_VOL1 [6:0]							0	0080h
R1810 (712h)	AIF1TX3MIX Input 2 Source	AIF1T X3MIX _STS2	0	0	0	0	0	0	0	AIF1TX3MIX_SRC2 [7:0]							0000h	
R1811 (713h)	AIF1TX3MIX Input 2 Volume	0	0	0	0	0	0	0	0	AIF1TX3MIX_VOL2 [6:0]							0	0080h
R1812 (714h)	AIF1TX3MIX Input 3 Source	AIF1T X3MIX _STS3	0	0	0	0	0	0	0	AIF1TX3MIX_SRC3 [7:0]							0000h	
R1813 (715h)	AIF1TX3MIX Input 3 Volume	0	0	0	0	0	0	0	0	AIF1TX3MIX_VOL3 [6:0]							0	0080h
R1814 (716h)	AIF1TX3MIX Input 4 Source	AIF1T X3MIX _STS4	0	0	0	0	0	0	0	AIF1TX3MIX_SRC4 [7:0]							0000h	
R1815 (717h)	AIF1TX3MIX Input 4 Volume	0	0	0	0	0	0	0	0	AIF1TX3MIX_VOL4 [6:0]							0	0080h
R1816 (718h)	AIF1TX4MIX Input 1 Source	AIF1T X4MIX _STS1	0	0	0	0	0	0	0	AIF1TX4MIX_SRC1 [7:0]							0000h	
R1817 (719h)	AIF1TX4MIX Input 1 Volume	0	0	0	0	0	0	0	0	AIF1TX4MIX_VOL1 [6:0]							0	0080h
R1818 (71Ah)	AIF1TX4MIX Input 2 Source	AIF1T X4MIX _STS2	0	0	0	0	0	0	0	AIF1TX4MIX_SRC2 [7:0]							0000h	
R1819 (71Bh)	AIF1TX4MIX Input 2 Volume	0	0	0	0	0	0	0	0	AIF1TX4MIX_VOL2 [6:0]							0	0080h
R1820 (71Ch)	AIF1TX4MIX Input 3 Source	AIF1T X4MIX _STS3	0	0	0	0	0	0	0	AIF1TX4MIX_SRC3 [7:0]							0000h	
R1821 (71Dh)	AIF1TX4MIX Input 3 Volume	0	0	0	0	0	0	0	0	AIF1TX4MIX_VOL3 [6:0]							0	0080h
R1822 (71Eh)	AIF1TX4MIX Input 4 Source	AIF1T X4MIX _STS4	0	0	0	0	0	0	0	AIF1TX4MIX_SRC4 [7:0]							0000h	
R1823 (71Fh)	AIF1TX4MIX Input 4 Volume	0	0	0	0	0	0	0	0	AIF1TX4MIX_VOL4 [6:0]							0	0080h
R1824 (720h)	AIF1TX5MIX Input 1 Source	AIF1T X5MIX _STS1	0	0	0	0	0	0	0	AIF1TX5MIX_SRC1 [7:0]							0000h	
R1825 (721h)	AIF1TX5MIX Input 1 Volume	0	0	0	0	0	0	0	0	AIF1TX5MIX_VOL1 [6:0]							0	0080h
R1826 (722h)	AIF1TX5MIX Input 2 Source	AIF1T X5MIX _STS2	0	0	0	0	0	0	0	AIF1TX5MIX_SRC2 [7:0]							0000h	
R1827 (723h)	AIF1TX5MIX Input 2 Volume	0	0	0	0	0	0	0	0	AIF1TX5MIX_VOL2 [6:0]							0	0080h
R1828 (724h)	AIF1TX5MIX Input 3 Source	AIF1T X5MIX _STS3	0	0	0	0	0	0	0	AIF1TX5MIX_SRC3 [7:0]							0000h	
R1829 (725h)	AIF1TX5MIX Input 3 Volume	0	0	0	0	0	0	0	0	AIF1TX5MIX_VOL3 [6:0]							0	0080h

REG	NAME	15	14	13	12	11	10	9	8	7	6	5	4	3	2	1	0	DEFAULT
R1830 (726h)	AIF1TX5MIX Input 4 Source	AIF1T X5MIX _STS4	0	0	0	0	0	0	0	AIF1TX5MIX_SRC4 [7:0]							0000h	
R1831 (727h)	AIF1TX5MIX Input 4 Volume		0	0	0	0	0	0	0	AIF1TX5MIX_VOL4 [6:0]						0	0080h	
R1832 (728h)	AIF1TX6MIX Input 1 Source	AIF1T X6MIX _STS1	0	0	0	0	0	0	0	AIF1TX6MIX_SRC1 [7:0]							0000h	
R1833 (729h)	AIF1TX6MIX Input 1 Volume		0	0	0	0	0	0	0	AIF1TX6MIX_VOL1 [6:0]						0	0080h	
R1834 (72Ah)	AIF1TX6MIX Input 2 Source	AIF1T X6MIX _STS2	0	0	0	0	0	0	0	AIF1TX6MIX_SRC2 [7:0]							0000h	
R1835 (72Bh)	AIF1TX6MIX Input 2 Volume		0	0	0	0	0	0	0	AIF1TX6MIX_VOL2 [6:0]						0	0080h	
R1836 (72Ch)	AIF1TX6MIX Input 3 Source	AIF1T X6MIX _STS3	0	0	0	0	0	0	0	AIF1TX6MIX_SRC3 [7:0]							0000h	
R1837 (72Dh)	AIF1TX6MIX Input 3 Volume		0	0	0	0	0	0	0	AIF1TX6MIX_VOL3 [6:0]						0	0080h	
R1838 (72Eh)	AIF1TX6MIX Input 4 Source	AIF1T X6MIX _STS4	0	0	0	0	0	0	0	AIF1TX6MIX_SRC4 [7:0]							0000h	
R1839 (72Fh)	AIF1TX6MIX Input 4 Volume		0	0	0	0	0	0	0	AIF1TX6MIX_VOL4 [6:0]						0	0080h	
R1840 (730h)	AIF1TX7MIX Input 1 Source	AIF1T X7MIX _STS1	0	0	0	0	0	0	0	AIF1TX7MIX_SRC1 [7:0]							0000h	
R1841 (731h)	AIF1TX7MIX Input 1 Volume		0	0	0	0	0	0	0	AIF1TX7MIX_VOL1 [6:0]						0	0080h	
R1842 (732h)	AIF1TX7MIX Input 2 Source	AIF1T X7MIX _STS2	0	0	0	0	0	0	0	AIF1TX7MIX_SRC2 [7:0]							0000h	
R1843 (733h)	AIF1TX7MIX Input 2 Volume		0	0	0	0	0	0	0	AIF1TX7MIX_VOL2 [6:0]						0	0080h	
R1844 (734h)	AIF1TX7MIX Input 3 Source	AIF1T X7MIX _STS3	0	0	0	0	0	0	0	AIF1TX7MIX_SRC3 [7:0]							0000h	
R1845 (735h)	AIF1TX7MIX Input 3 Volume		0	0	0	0	0	0	0	AIF1TX7MIX_VOL3 [6:0]						0	0080h	
R1846 (736h)	AIF1TX7MIX Input 4 Source	AIF1T X7MIX _STS4	0	0	0	0	0	0	0	AIF1TX7MIX_SRC4 [7:0]							0000h	
R1847 (737h)	AIF1TX7MIX Input 4 Volume		0	0	0	0	0	0	0	AIF1TX7MIX_VOL4 [6:0]						0	0080h	
R1848 (738h)	AIF1TX8MIX Input 1 Source	AIF1T X8MIX _STS1	0	0	0	0	0	0	0	AIF1TX8MIX_SRC1 [7:0]							0000h	
R1849 (739h)	AIF1TX8MIX Input 1 Volume		0	0	0	0	0	0	0	AIF1TX8MIX_VOL1 [6:0]						0	0080h	
R1850 (73Ah)	AIF1TX8MIX Input 2 Source	AIF1T X8MIX _STS2	0	0	0	0	0	0	0	AIF1TX8MIX_SRC2 [7:0]							0000h	
R1851 (73Bh)	AIF1TX8MIX Input 2 Volume		0	0	0	0	0	0	0	AIF1TX8MIX_VOL2 [6:0]						0	0080h	
R1852 (73Ch)	AIF1TX8MIX Input 3 Source	AIF1T X8MIX _STS3	0	0	0	0	0	0	0	AIF1TX8MIX_SRC3 [7:0]							0000h	

REG	NAME	15	14	13	12	11	10	9	8	7	6	5	4	3	2	1	0	DEFAULT
R1853 (73Dh)	AIF1TX8MIX Input 3 Volume	0	0	0	0	0	0	0	0	AIF1TX8MIX_VOL3 [6:0]							0	0080h
R1854 (73Eh)	AIF1TX8MIX Input 4 Source	AIF1TX8MIX_STS4	0	0	0	0	0	0	0	AIF1TX8MIX_SRC4 [7:0]								0000h
R1855 (73Fh)	AIF1TX8MIX Input 4 Volume	0	0	0	0	0	0	0	0	AIF1TX8MIX_VOL4 [6:0]							0	0080h
R1856 (740h)	AIF2TX1MIX Input 1 Source	AIF2TX1MIX_STS1	0	0	0	0	0	0	0	AIF2TX1MIX_SRC1 [7:0]								0000h
R1857 (741h)	AIF2TX1MIX Input 1 Volume	0	0	0	0	0	0	0	0	AIF2TX1MIX_VOL1 [6:0]							0	0080h
R1858 (742h)	AIF2TX1MIX Input 2 Source	AIF2TX1MIX_STS2	0	0	0	0	0	0	0	AIF2TX1MIX_SRC2 [7:0]								0000h
R1859 (743h)	AIF2TX1MIX Input 2 Volume	0	0	0	0	0	0	0	0	AIF2TX1MIX_VOL2 [6:0]							0	0080h
R1860 (744h)	AIF2TX1MIX Input 3 Source	AIF2TX1MIX_STS3	0	0	0	0	0	0	0	AIF2TX1MIX_SRC3 [7:0]								0000h
R1861 (745h)	AIF2TX1MIX Input 3 Volume	0	0	0	0	0	0	0	0	AIF2TX1MIX_VOL3 [6:0]							0	0080h
R1862 (746h)	AIF2TX1MIX Input 4 Source	AIF2TX1MIX_STS4	0	0	0	0	0	0	0	AIF2TX1MIX_SRC4 [7:0]								0000h
R1863 (747h)	AIF2TX1MIX Input 4 Volume	0	0	0	0	0	0	0	0	AIF2TX1MIX_VOL4 [6:0]							0	0080h
R1864 (748h)	AIF2TX2MIX Input 1 Source	AIF2TX2MIX_STS1	0	0	0	0	0	0	0	AIF2TX2MIX_SRC1 [7:0]								0000h
R1865 (749h)	AIF2TX2MIX Input 1 Volume	0	0	0	0	0	0	0	0	AIF2TX2MIX_VOL1 [6:0]							0	0080h
R1866 (74Ah)	AIF2TX2MIX Input 2 Source	AIF2TX2MIX_STS2	0	0	0	0	0	0	0	AIF2TX2MIX_SRC2 [7:0]								0000h
R1867 (74Bh)	AIF2TX2MIX Input 2 Volume	0	0	0	0	0	0	0	0	AIF2TX2MIX_VOL2 [6:0]							0	0080h
R1868 (74Ch)	AIF2TX2MIX Input 3 Source	AIF2TX2MIX_STS3	0	0	0	0	0	0	0	AIF2TX2MIX_SRC3 [7:0]								0000h
R1869 (74Dh)	AIF2TX2MIX Input 3 Volume	0	0	0	0	0	0	0	0	AIF2TX2MIX_VOL3 [6:0]							0	0080h
R1870 (74Eh)	AIF2TX2MIX Input 4 Source	AIF2TX2MIX_STS4	0	0	0	0	0	0	0	AIF2TX2MIX_SRC4 [7:0]								0000h
R1871 (74Fh)	AIF2TX2MIX Input 4 Volume	0	0	0	0	0	0	0	0	AIF2TX2MIX_VOL4 [6:0]							0	0080h
R1872 (750h)	AIF2TX3MIX Input 1 Source	AIF2TX3MIX_STS1	0	0	0	0	0	0	0	AIF2TX3MIX_SRC1 [7:0]								0000h
R1873 (751h)	AIF2TX3MIX Input 1 Volume	0	0	0	0	0	0	0	0	AIF2TX3MIX_VOL1 [6:0]							0	0080h
R1874 (752h)	AIF2TX3MIX Input 2 Source	AIF2TX3MIX_STS2	0	0	0	0	0	0	0	AIF2TX3MIX_SRC2 [7:0]								0000h
R1875 (753h)	AIF2TX3MIX Input 2 Volume	0	0	0	0	0	0	0	0	AIF2TX3MIX_VOL2 [6:0]							0	0080h

REG	NAME	15	14	13	12	11	10	9	8	7	6	5	4	3	2	1	0	DEFAULT
R1876 (754h)	AIF2TX3MIX Input 3 Source	AIF2T X3MIX _STS3	0	0	0	0	0	0	0	AIF2TX3MIX_SRC3 [7:0]							0000h	
R1877 (755h)	AIF2TX3MIX Input 3 Volume		0	0	0	0	0	0	0	AIF2TX3MIX_VOL3 [6:0]							0	0080h
R1878 (756h)	AIF2TX3MIX Input 4 Source	AIF2T X3MIX _STS4	0	0	0	0	0	0	0	AIF2TX3MIX_SRC4 [7:0]							0000h	
R1879 (757h)	AIF2TX3MIX Input 4 Volume		0	0	0	0	0	0	0	AIF2TX3MIX_VOL4 [6:0]							0	0080h
R1880 (758h)	AIF2TX4MIX Input 1 Source	AIF2T X4MIX _STS1	0	0	0	0	0	0	0	AIF2TX4MIX_SRC1 [7:0]							0000h	
R1881 (759h)	AIF2TX4MIX Input 1 Volume		0	0	0	0	0	0	0	AIF2TX4MIX_VOL1 [6:0]							0	0080h
R1882 (75Ah)	AIF2TX4MIX Input 2 Source	AIF2T X4MIX _STS2	0	0	0	0	0	0	0	AIF2TX4MIX_SRC2 [7:0]							0000h	
R1883 (75Bh)	AIF2TX4MIX Input 2 Volume		0	0	0	0	0	0	0	AIF2TX4MIX_VOL2 [6:0]							0	0080h
R1884 (75Ch)	AIF2TX4MIX Input 3 Source	AIF2T X4MIX _STS3	0	0	0	0	0	0	0	AIF2TX4MIX_SRC3 [7:0]							0000h	
R1885 (75Dh)	AIF2TX4MIX Input 3 Volume		0	0	0	0	0	0	0	AIF2TX4MIX_VOL3 [6:0]							0	0080h
R1886 (75Eh)	AIF2TX4MIX Input 4 Source	AIF2T X4MIX _STS4	0	0	0	0	0	0	0	AIF2TX4MIX_SRC4 [7:0]							0000h	
R1887 (75Fh)	AIF2TX4MIX Input 4 Volume		0	0	0	0	0	0	0	AIF2TX4MIX_VOL4 [6:0]							0	0080h
R1888 (760h)	AIF2TX5MIX Input 1 Source	AIF2T X5MIX _STS1	0	0	0	0	0	0	0	AIF2TX5MIX_SRC1 [7:0]							0000h	
R1889 (761h)	AIF2TX5MIX Input 1 Volume		0	0	0	0	0	0	0	AIF2TX5MIX_VOL1 [6:0]							0	0080h
R1890 (762h)	AIF2TX5MIX Input 2 Source	AIF2T X5MIX _STS2	0	0	0	0	0	0	0	AIF2TX5MIX_SRC2 [7:0]							0000h	
R1891 (763h)	AIF2TX5MIX Input 2 Volume		0	0	0	0	0	0	0	AIF2TX5MIX_VOL2 [6:0]							0	0080h
R1892 (764h)	AIF2TX5MIX Input 3 Source	AIF2T X5MIX _STS3	0	0	0	0	0	0	0	AIF2TX5MIX_SRC3 [7:0]							0000h	
R1893 (765h)	AIF2TX5MIX Input 3 Volume		0	0	0	0	0	0	0	AIF2TX5MIX_VOL3 [6:0]							0	0080h
R1894 (766h)	AIF2TX5MIX Input 4 Source	AIF2T X5MIX _STS4	0	0	0	0	0	0	0	AIF2TX5MIX_SRC4 [7:0]							0000h	
R1895 (767h)	AIF2TX5MIX Input 4 Volume		0	0	0	0	0	0	0	AIF2TX5MIX_VOL4 [6:0]							0	0080h
R1896 (768h)	AIF2TX6MIX Input 1 Source	AIF2T X6MIX _STS1	0	0	0	0	0	0	0	AIF2TX6MIX_SRC1 [7:0]							0000h	
R1897 (769h)	AIF2TX6MIX Input 1 Volume		0	0	0	0	0	0	0	AIF2TX6MIX_VOL1 [6:0]							0	0080h
R1898 (76Ah)	AIF2TX6MIX Input 2 Source	AIF2T X6MIX _STS2	0	0	0	0	0	0	0	AIF2TX6MIX_SRC2 [7:0]							0000h	

REG	NAME	15	14	13	12	11	10	9	8	7	6	5	4	3	2	1	0	DEFAULT
R1899 (76Bh)	AIF2TX6MIX Input 2 Volume	0	0	0	0	0	0	0	0	AIF2TX6MIX_VOL2 [6:0]						0	0080h	
R1900 (76Ch)	AIF2TX6MIX Input 3 Source	AIF2T X6MIX _STS3	0	0	0	0	0	0	0	AIF2TX6MIX_SRC3 [7:0]						0000h		
R1901 (76Dh)	AIF2TX6MIX Input 3 Volume	0	0	0	0	0	0	0	0	AIF2TX6MIX_VOL3 [6:0]						0	0080h	
R1902 (76Eh)	AIF2TX6MIX Input 4 Source	AIF2T X6MIX _STS4	0	0	0	0	0	0	0	AIF2TX6MIX_SRC4 [7:0]						0000h		
R1903 (76Fh)	AIF2TX6MIX Input 4 Volume	0	0	0	0	0	0	0	0	AIF2TX6MIX_VOL4 [6:0]						0	0080h	
R1920 (780h)	AIF3TX1MIX Input 1 Source	AIF3T X1MIX _STS1	0	0	0	0	0	0	0	AIF3TX1MIX_SRC1 [7:0]						0000h		
R1921 (781h)	AIF3TX1MIX Input 1 Volume	0	0	0	0	0	0	0	0	AIF3TX1MIX_VOL1 [6:0]						0	0080h	
R1922 (782h)	AIF3TX1MIX Input 2 Source	AIF3T X1MIX _STS2	0	0	0	0	0	0	0	AIF3TX1MIX_SRC2 [7:0]						0000h		
R1923 (783h)	AIF3TX1MIX Input 2 Volume	0	0	0	0	0	0	0	0	AIF3TX1MIX_VOL2 [6:0]						0	0080h	
R1924 (784h)	AIF3TX1MIX Input 3 Source	AIF3T X1MIX _STS3	0	0	0	0	0	0	0	AIF3TX1MIX_SRC3 [7:0]						0000h		
R1925 (785h)	AIF3TX1MIX Input 3 Volume	0	0	0	0	0	0	0	0	AIF3TX1MIX_VOL3 [6:0]						0	0080h	
R1926 (786h)	AIF3TX1MIX Input 4 Source	AIF3T X1MIX _STS4	0	0	0	0	0	0	0	AIF3TX1MIX_SRC4 [7:0]						0000h		
R1927 (787h)	AIF3TX1MIX Input 4 Volume	0	0	0	0	0	0	0	0	AIF3TX1MIX_VOL4 [6:0]						0	0080h	
R1928 (788h)	AIF3TX2MIX Input 1 Source	AIF3T X2MIX _STS1	0	0	0	0	0	0	0	AIF3TX2MIX_SRC1 [7:0]						0000h		
R1929 (789h)	AIF3TX2MIX Input 1 Volume	0	0	0	0	0	0	0	0	AIF3TX2MIX_VOL1 [6:0]						0	0080h	
R1930 (78Ah)	AIF3TX2MIX Input 2 Source	AIF3T X2MIX _STS2	0	0	0	0	0	0	0	AIF3TX2MIX_SRC2 [7:0]						0000h		
R1931 (78Bh)	AIF3TX2MIX Input 2 Volume	0	0	0	0	0	0	0	0	AIF3TX2MIX_VOL2 [6:0]						0	0080h	
R1932 (78Ch)	AIF3TX2MIX Input 3 Source	AIF3T X2MIX _STS3	0	0	0	0	0	0	0	AIF3TX2MIX_SRC3 [7:0]						0000h		
R1933 (78Dh)	AIF3TX2MIX Input 3 Volume	0	0	0	0	0	0	0	0	AIF3TX2MIX_VOL3 [6:0]						0	0080h	
R1934 (78Eh)	AIF3TX2MIX Input 4 Source	AIF3T X2MIX _STS4	0	0	0	0	0	0	0	AIF3TX2MIX_SRC4 [7:0]						0000h		
R1935 (78Fh)	AIF3TX2MIX Input 4 Volume	0	0	0	0	0	0	0	0	AIF3TX2MIX_VOL4 [6:0]						0	0080h	
R1984 (7C0h)	SLIMTX1MIX Input 1 Source	SLIMT X1MIX _STS1	0	0	0	0	0	0	0	SLIMTX1MIX_SRC1 [7:0]						0000h		
R1985 (7C1h)	SLIMTX1MIX Input 1 Volume	0	0	0	0	0	0	0	0	SLIMTX1MIX_VOL1 [6:0]						0	0080h	

REG	NAME	15	14	13	12	11	10	9	8	7	6	5	4	3	2	1	0	DEFAULT
R1986 (7C2h)	SLIMTX1MIX Input 2 Source	SLIMTX1MIX_STS2	0	0	0	0	0	0	0	SLIMTX1MIX_SRC2 [7:0]							0000h	
R1987 (7C3h)	SLIMTX1MIX Input 2 Volume	0	0	0	0	0	0	0	0	SLIMTX1MIX_VOL2 [6:0]						0	0080h	
R1988 (7C4h)	SLIMTX1MIX Input 3 Source	SLIMTX1MIX_STS3	0	0	0	0	0	0	0	SLIMTX1MIX_SRC3 [7:0]							0000h	
R1989 (7C5h)	SLIMTX1MIX Input 3 Volume	0	0	0	0	0	0	0	0	SLIMTX1MIX_VOL3 [6:0]						0	0080h	
R1990 (7C6h)	SLIMTX1MIX Input 4 Source	SLIMTX1MIX_STS4	0	0	0	0	0	0	0	SLIMTX1MIX_SRC4 [7:0]							0000h	
R1991 (7C7h)	SLIMTX1MIX Input 4 Volume	0	0	0	0	0	0	0	0	SLIMTX1MIX_VOL4 [6:0]						0	0080h	
R1992 (7C8h)	SLIMTX2MIX Input 1 Source	SLIMTX2MIX_STS1	0	0	0	0	0	0	0	SLIMTX2MIX_SRC1 [7:0]							0000h	
R1993 (7C9h)	SLIMTX2MIX Input 1 Volume	0	0	0	0	0	0	0	0	SLIMTX2MIX_VOL1 [6:0]						0	0080h	
R1994 (7CAh)	SLIMTX2MIX Input 2 Source	SLIMTX2MIX_STS2	0	0	0	0	0	0	0	SLIMTX2MIX_SRC2 [7:0]							0000h	
R1995 (7CBh)	SLIMTX2MIX Input 2 Volume	0	0	0	0	0	0	0	0	SLIMTX2MIX_VOL2 [6:0]						0	0080h	
R1996 (7CCh)	SLIMTX2MIX Input 3 Source	SLIMTX2MIX_STS3	0	0	0	0	0	0	0	SLIMTX2MIX_SRC3 [7:0]							0000h	
R1997 (7CDh)	SLIMTX2MIX Input 3 Volume	0	0	0	0	0	0	0	0	SLIMTX2MIX_VOL3 [6:0]						0	0080h	
R1998 (7CEh)	SLIMTX2MIX Input 4 Source	SLIMTX2MIX_STS4	0	0	0	0	0	0	0	SLIMTX2MIX_SRC4 [7:0]							0000h	
R1999 (7CFh)	SLIMTX2MIX Input 4 Volume	0	0	0	0	0	0	0	0	SLIMTX2MIX_VOL4 [6:0]						0	0080h	
R2000 (7D0h)	SLIMTX3MIX Input 1 Source	SLIMTX3MIX_STS1	0	0	0	0	0	0	0	SLIMTX3MIX_SRC1 [7:0]							0000h	
R2001 (7D1h)	SLIMTX3MIX Input 1 Volume	0	0	0	0	0	0	0	0	SLIMTX3MIX_VOL1 [6:0]						0	0080h	
R2002 (7D2h)	SLIMTX3MIX Input 2 Source	SLIMTX3MIX_STS2	0	0	0	0	0	0	0	SLIMTX3MIX_SRC2 [7:0]							0000h	
R2003 (7D3h)	SLIMTX3MIX Input 2 Volume	0	0	0	0	0	0	0	0	SLIMTX3MIX_VOL2 [6:0]						0	0080h	
R2004 (7D4h)	SLIMTX3MIX Input 3 Source	SLIMTX3MIX_STS3	0	0	0	0	0	0	0	SLIMTX3MIX_SRC3 [7:0]							0000h	
R2005 (7D5h)	SLIMTX3MIX Input 3 Volume	0	0	0	0	0	0	0	0	SLIMTX3MIX_VOL3 [6:0]						0	0080h	
R2006 (7D6h)	SLIMTX3MIX Input 4 Source	SLIMTX3MIX_STS4	0	0	0	0	0	0	0	SLIMTX3MIX_SRC4 [7:0]							0000h	
R2007 (7D7h)	SLIMTX3MIX Input 4 Volume	0	0	0	0	0	0	0	0	SLIMTX3MIX_VOL4 [6:0]						0	0080h	
R2008 (7D8h)	SLIMTX4MIX Input 1 Source	SLIMTX4MIX_STS1	0	0	0	0	0	0	0	SLIMTX4MIX_SRC1 [7:0]							0000h	

REG	NAME	15	14	13	12	11	10	9	8	7	6	5	4	3	2	1	0	DEFAULT
R2009 (7D9h)	SLIMTX4MIX Input 1 Volume	0	0	0	0	0	0	0	0	SLIMTX4MIX_VOL1 [6:0]						0	0080h	
R2010 (7DAh)	SLIMTX4MIX Input 2 Source	SLIMIT X4MIX _STS2	0	0	0	0	0	0	0	SLIMTX4MIX_SRC2 [7:0]						0000h		
R2011 (7DBh)	SLIMTX4MIX Input 2 Volume	0	0	0	0	0	0	0	0	SLIMTX4MIX_VOL2 [6:0]						0	0080h	
R2012 (7DCh)	SLIMTX4MIX Input 3 Source	SLIMIT X4MIX _STS3	0	0	0	0	0	0	0	SLIMTX4MIX_SRC3 [7:0]						0000h		
R2013 (7DDh)	SLIMTX4MIX Input 3 Volume	0	0	0	0	0	0	0	0	SLIMTX4MIX_VOL3 [6:0]						0	0080h	
R2014 (7DEh)	SLIMTX4MIX Input 4 Source	SLIMIT X4MIX _STS4	0	0	0	0	0	0	0	SLIMTX4MIX_SRC4 [7:0]						0000h		
R2015 (7DFh)	SLIMTX4MIX Input 4 Volume	0	0	0	0	0	0	0	0	SLIMTX4MIX_VOL4 [6:0]						0	0080h	
R2016 (7E0h)	SLIMTX5MIX Input 1 Source	SLIMIT X5MIX _STS1	0	0	0	0	0	0	0	SLIMTX5MIX_SRC1 [7:0]						0000h		
R2017 (7E1h)	SLIMTX5MIX Input 1 Volume	0	0	0	0	0	0	0	0	SLIMTX5MIX_VOL1 [6:0]						0	0080h	
R2018 (7E2h)	SLIMTX5MIX Input 2 Source	SLIMIT X5MIX _STS2	0	0	0	0	0	0	0	SLIMTX5MIX_SRC2 [7:0]						0000h		
R2019 (7E3h)	SLIMTX5MIX Input 2 Volume	0	0	0	0	0	0	0	0	SLIMTX5MIX_VOL2 [6:0]						0	0080h	
R2020 (7E4h)	SLIMTX5MIX Input 3 Source	SLIMIT X5MIX _STS3	0	0	0	0	0	0	0	SLIMTX5MIX_SRC3 [7:0]						0000h		
R2021 (7E5h)	SLIMTX5MIX Input 3 Volume	0	0	0	0	0	0	0	0	SLIMTX5MIX_VOL3 [6:0]						0	0080h	
R2022 (7E6h)	SLIMTX5MIX Input 4 Source	SLIMIT X5MIX _STS4	0	0	0	0	0	0	0	SLIMTX5MIX_SRC4 [7:0]						0000h		
R2023 (7E7h)	SLIMTX5MIX Input 4 Volume	0	0	0	0	0	0	0	0	SLIMTX5MIX_VOL4 [6:0]						0	0080h	
R2024 (7E8h)	SLIMTX6MIX Input 1 Source	SLIMIT X6MIX _STS1	0	0	0	0	0	0	0	SLIMTX6MIX_SRC1 [7:0]						0000h		
R2025 (7E9h)	SLIMTX6MIX Input 1 Volume	0	0	0	0	0	0	0	0	SLIMTX6MIX_VOL1 [6:0]						0	0080h	
R2026 (7EAh)	SLIMTX6MIX Input 2 Source	SLIMIT X6MIX _STS2	0	0	0	0	0	0	0	SLIMTX6MIX_SRC2 [7:0]						0000h		
R2027 (7EBh)	SLIMTX6MIX Input 2 Volume	0	0	0	0	0	0	0	0	SLIMTX6MIX_VOL2 [6:0]						0	0080h	
R2028 (7ECh)	SLIMTX6MIX Input 3 Source	SLIMIT X6MIX _STS3	0	0	0	0	0	0	0	SLIMTX6MIX_SRC3 [7:0]						0000h		
R2029 (7EDh)	SLIMTX6MIX Input 3 Volume	0	0	0	0	0	0	0	0	SLIMTX6MIX_VOL3 [6:0]						0	0080h	
R2030 (7EEh)	SLIMTX6MIX Input 4 Source	SLIMIT X6MIX _STS4	0	0	0	0	0	0	0	SLIMTX6MIX_SRC4 [7:0]						0000h		
R2031 (7EFh)	SLIMTX6MIX Input 4 Volume	0	0	0	0	0	0	0	0	SLIMTX6MIX_VOL4 [6:0]						0	0080h	



REG	NAME	15	14	13	12	11	10	9	8	7	6	5	4	3	2	1	0	DEFAULT
R2032 (7F0h)	SLIMTX7MIX Input 1 Source	SLIMTX7MIX_STS1	0	0	0	0	0	0	0	SLIMTX7MIX_SRC1 [7:0]							0000h	
R2033 (7F1h)	SLIMTX7MIX Input 1 Volume		0	0	0	0	0	0	0	SLIMTX7MIX_VOL1 [6:0]						0	0080h	
R2034 (7F2h)	SLIMTX7MIX Input 2 Source	SLIMTX7MIX_STS2	0	0	0	0	0	0	0	SLIMTX7MIX_SRC2 [7:0]							0000h	
R2035 (7F3h)	SLIMTX7MIX Input 2 Volume		0	0	0	0	0	0	0	SLIMTX7MIX_VOL2 [6:0]						0	0080h	
R2036 (7F4h)	SLIMTX7MIX Input 3 Source	SLIMTX7MIX_STS3	0	0	0	0	0	0	0	SLIMTX7MIX_SRC3 [7:0]							0000h	
R2037 (7F5h)	SLIMTX7MIX Input 3 Volume		0	0	0	0	0	0	0	SLIMTX7MIX_VOL3 [6:0]						0	0080h	
R2038 (7F6h)	SLIMTX7MIX Input 4 Source	SLIMTX7MIX_STS4	0	0	0	0	0	0	0	SLIMTX7MIX_SRC4 [7:0]							0000h	
R2039 (7F7h)	SLIMTX7MIX Input 4 Volume		0	0	0	0	0	0	0	SLIMTX7MIX_VOL4 [6:0]						0	0080h	
R2040 (7F8h)	SLIMTX8MIX Input 1 Source	SLIMTX8MIX_STS1	0	0	0	0	0	0	0	SLIMTX8MIX_SRC1 [7:0]							0000h	
R2041 (7F9h)	SLIMTX8MIX Input 1 Volume		0	0	0	0	0	0	0	SLIMTX8MIX_VOL1 [6:0]						0	0080h	
R2042 (7FAh)	SLIMTX8MIX Input 2 Source	SLIMTX8MIX_STS2	0	0	0	0	0	0	0	SLIMTX8MIX_SRC2 [7:0]							0000h	
R2043 (7FBh)	SLIMTX8MIX Input 2 Volume		0	0	0	0	0	0	0	SLIMTX8MIX_VOL2 [6:0]						0	0080h	
R2044 (7FCh)	SLIMTX8MIX Input 3 Source	SLIMTX8MIX_STS3	0	0	0	0	0	0	0	SLIMTX8MIX_SRC3 [7:0]							0000h	
R2045 (7FDh)	SLIMTX8MIX Input 3 Volume		0	0	0	0	0	0	0	SLIMTX8MIX_VOL3 [6:0]						0	0080h	
R2046 (7FEh)	SLIMTX8MIX Input 4 Source	SLIMTX8MIX_STS4	0	0	0	0	0	0	0	SLIMTX8MIX_SRC4 [7:0]							0000h	
R2047 (7FFh)	SLIMTX8MIX Input 4 Volume		0	0	0	0	0	0	0	SLIMTX8MIX_VOL4 [6:0]						0	0080h	
R2176 (880h)	EQ1MIX Input 1 Source	EQ1MIX_STS1	0	0	0	0	0	0	0	EQ1MIX_SRC1 [7:0]							0000h	
R2177 (881h)	EQ1MIX Input 1 Volume		0	0	0	0	0	0	0	EQ1MIX_VOL1 [6:0]						0	0080h	
R2178 (882h)	EQ1MIX Input 2 Source	EQ1MIX_STS2	0	0	0	0	0	0	0	EQ1MIX_SRC2 [7:0]							0000h	
R2179 (883h)	EQ1MIX Input 2 Volume		0	0	0	0	0	0	0	EQ1MIX_VOL2 [6:0]						0	0080h	
R2180 (884h)	EQ1MIX Input 3 Source	EQ1MIX_STS3	0	0	0	0	0	0	0	EQ1MIX_SRC3 [7:0]							0000h	
R2181 (885h)	EQ1MIX Input 3 Volume		0	0	0	0	0	0	0	EQ1MIX_VOL3 [6:0]						0	0080h	
R2182 (886h)	EQ1MIX Input 4 Source	EQ1MIX_STS4	0	0	0	0	0	0	0	EQ1MIX_SRC4 [7:0]							0000h	

REG	NAME	15	14	13	12	11	10	9	8	7	6	5	4	3	2	1	0	DEFAULT
R2183 (887h)	EQ1MIX Input 4 Volume	0	0	0	0	0	0	0	0	EQ1MIX_VOL4 [6:0]						0	0080h	
R2184 (888h)	EQ2MIX Input 1 Source	EQ2MI X_STS 1	0	0	0	0	0	0	0	EQ2MIX_SRC1 [7:0]							0000h	
R2185 (889h)	EQ2MIX Input 1 Volume	0	0	0	0	0	0	0	0	EQ2MIX_VOL1 [6:0]						0	0080h	
R2186 (88Ah)	EQ2MIX Input 2 Source	EQ2MI X_STS 2	0	0	0	0	0	0	0	EQ2MIX_SRC2 [7:0]							0000h	
R2187 (88Bh)	EQ2MIX Input 2 Volume	0	0	0	0	0	0	0	0	EQ2MIX_VOL2 [6:0]						0	0080h	
R2188 (88Ch)	EQ2MIX Input 3 Source	EQ2MI X_STS 3	0	0	0	0	0	0	0	EQ2MIX_SRC3 [7:0]							0000h	
R2189 (88Dh)	EQ2MIX Input 3 Volume	0	0	0	0	0	0	0	0	EQ2MIX_VOL3 [6:0]						0	0080h	
R2190 (88Eh)	EQ2MIX Input 4 Source	EQ2MI X_STS 4	0	0	0	0	0	0	0	EQ2MIX_SRC4 [7:0]							0000h	
R2191 (88Fh)	EQ2MIX Input 4 Volume	0	0	0	0	0	0	0	0	EQ2MIX_VOL4 [6:0]						0	0080h	
R2192 (890h)	EQ3MIX Input 1 Source	EQ3MI X_STS 1	0	0	0	0	0	0	0	EQ3MIX_SRC1 [7:0]							0000h	
R2193 (891h)	EQ3MIX Input 1 Volume	0	0	0	0	0	0	0	0	EQ3MIX_VOL1 [6:0]						0	0080h	
R2194 (892h)	EQ3MIX Input 2 Source	EQ3MI X_STS 2	0	0	0	0	0	0	0	EQ3MIX_SRC2 [7:0]							0000h	
R2195 (893h)	EQ3MIX Input 2 Volume	0	0	0	0	0	0	0	0	EQ3MIX_VOL2 [6:0]						0	0080h	
R2196 (894h)	EQ3MIX Input 3 Source	EQ3MI X_STS 3	0	0	0	0	0	0	0	EQ3MIX_SRC3 [7:0]							0000h	
R2197 (895h)	EQ3MIX Input 3 Volume	0	0	0	0	0	0	0	0	EQ3MIX_VOL3 [6:0]						0	0080h	
R2198 (896h)	EQ3MIX Input 4 Source	EQ3MI X_STS 4	0	0	0	0	0	0	0	EQ3MIX_SRC4 [7:0]							0000h	
R2199 (897h)	EQ3MIX Input 4 Volume	0	0	0	0	0	0	0	0	EQ3MIX_VOL4 [6:0]						0	0080h	
R2200 (898h)	EQ4MIX Input 1 Source	EQ4MI X_STS 1	0	0	0	0	0	0	0	EQ4MIX_SRC1 [7:0]							0000h	
R2201 (899h)	EQ4MIX Input 1 Volume	0	0	0	0	0	0	0	0	EQ4MIX_VOL1 [6:0]						0	0080h	
R2202 (89Ah)	EQ4MIX Input 2 Source	EQ4MI X_STS 2	0	0	0	0	0	0	0	EQ4MIX_SRC2 [7:0]							0000h	
R2203 (89Bh)	EQ4MIX Input 2 Volume	0	0	0	0	0	0	0	0	EQ4MIX_VOL2 [6:0]						0	0080h	
R2204 (89Ch)	EQ4MIX Input 3 Source	EQ4MI X_STS 3	0	0	0	0	0	0	0	EQ4MIX_SRC3 [7:0]							0000h	
R2205 (89Dh)	EQ4MIX Input 3 Volume	0	0	0	0	0	0	0	0	EQ4MIX_VOL3 [6:0]						0	0080h	

REG	NAME	15	14	13	12	11	10	9	8	7	6	5	4	3	2	1	0	DEFAULT
R2206 (89Eh)	EQ4MIX Input 4 Source	EQ4MIX_STS4	0	0	0	0	0	0	0	EQ4MIX_SRC4 [7:0]							0000h	
R2207 (89Fh)	EQ4MIX Input 4 Volume	0	0	0	0	0	0	0	0	EQ4MIX_VOL4 [6:0]						0	0080h	
R2240 (8C0h)	DRC1LMIX Input 1 Source	DRC1LMIX_STS1	0	0	0	0	0	0	0	DRC1LMIX_SRC1 [7:0]							0000h	
R2241 (8C1h)	DRC1LMIX Input 1 Volume	0	0	0	0	0	0	0	0	DRC1LMIX_VOL1 [6:0]						0	0080h	
R2242 (8C2h)	DRC1LMIX Input 2 Source	DRC1LMIX_STS2	0	0	0	0	0	0	0	DRC1LMIX_SRC2 [7:0]							0000h	
R2243 (8C3h)	DRC1LMIX Input 2 Volume	0	0	0	0	0	0	0	0	DRC1LMIX_VOL2 [6:0]						0	0080h	
R2244 (8C4h)	DRC1LMIX Input 3 Source	DRC1LMIX_STS3	0	0	0	0	0	0	0	DRC1LMIX_SRC3 [7:0]							0000h	
R2245 (8C5h)	DRC1LMIX Input 3 Volume	0	0	0	0	0	0	0	0	DRC1LMIX_VOL3 [6:0]						0	0080h	
R2246 (8C6h)	DRC1LMIX Input 4 Source	DRC1LMIX_STS4	0	0	0	0	0	0	0	DRC1LMIX_SRC4 [7:0]							0000h	
R2247 (8C7h)	DRC1LMIX Input 4 Volume	0	0	0	0	0	0	0	0	DRC1LMIX_VOL4 [6:0]						0	0080h	
R2248 (8C8h)	DRC1RMIX Input 1 Source	DRC1RMIX_STS1	0	0	0	0	0	0	0	DRC1RMIX_SRC1 [7:0]							0000h	
R2249 (8C9h)	DRC1RMIX Input 1 Volume	0	0	0	0	0	0	0	0	DRC1RMIX_VOL1 [6:0]						0	0080h	
R2250 (8CAh)	DRC1RMIX Input 2 Source	DRC1RMIX_STS2	0	0	0	0	0	0	0	DRC1RMIX_SRC2 [7:0]							0000h	
R2251 (8CBh)	DRC1RMIX Input 2 Volume	0	0	0	0	0	0	0	0	DRC1RMIX_VOL2 [6:0]						0	0080h	
R2252 (8CCh)	DRC1RMIX Input 3 Source	DRC1RMIX_STS3	0	0	0	0	0	0	0	DRC1RMIX_SRC3 [7:0]							0000h	
R2253 (8CDh)	DRC1RMIX Input 3 Volume	0	0	0	0	0	0	0	0	DRC1RMIX_VOL3 [6:0]						0	0080h	
R2254 (8CEh)	DRC1RMIX Input 4 Source	DRC1RMIX_STS4	0	0	0	0	0	0	0	DRC1RMIX_SRC4 [7:0]							0000h	
R2255 (8CFh)	DRC1RMIX Input 4 Volume	0	0	0	0	0	0	0	0	DRC1RMIX_VOL4 [6:0]						0	0080h	
R2256 (8D0h)	DRC2LMIX Input 1 Source	DRC2LMIX_STS1	0	0	0	0	0	0	0	DRC2LMIX_SRC1 [7:0]							0000h	
R2257 (8D1h)	DRC2LMIX Input 1 Volume	0	0	0	0	0	0	0	0	DRC2LMIX_VOL1 [6:0]						0	0080h	
R2258 (8D2h)	DRC2LMIX Input 2 Source	DRC2LMIX_STS2	0	0	0	0	0	0	0	DRC2LMIX_SRC2 [7:0]							0000h	
R2259 (8D3h)	DRC2LMIX Input 2 Volume	0	0	0	0	0	0	0	0	DRC2LMIX_VOL2 [6:0]						0	0080h	
R2260 (8D4h)	DRC2LMIX Input 3 Source	DRC2LMIX_STS3	0	0	0	0	0	0	0	DRC2LMIX_SRC3 [7:0]							0000h	

REG	NAME	15	14	13	12	11	10	9	8	7	6	5	4	3	2	1	0	DEFAULT
R2261 (8D5h)	DRC2LMIX Input 3 Volume	0	0	0	0	0	0	0	0	DRC2LMIX_VOL3 [6:0]						0	0080h	
R2262 (8D6h)	DRC2LMIX Input 4 Source	DRC2LMIX_STS4	0	0	0	0	0	0	0	DRC2LMIX_SRC4 [7:0]						0	0000h	
R2263 (8D7h)	DRC2LMIX Input 4 Volume	0	0	0	0	0	0	0	0	DRC2LMIX_VOL4 [6:0]						0	0080h	
R2264 (8D8h)	DRC2RMIX Input 1 Source	DRC2RMIX_STS1	0	0	0	0	0	0	0	DRC2RMIX_SRC1 [7:0]						0	0000h	
R2265 (8D9h)	DRC2RMIX Input 1 Volume	0	0	0	0	0	0	0	0	DRC2RMIX_VOL1 [6:0]						0	0080h	
R2266 (8DAh)	DRC2RMIX Input 2 Source	DRC2RMIX_STS2	0	0	0	0	0	0	0	DRC2RMIX_SRC2 [7:0]						0	0000h	
R2267 (8DBh)	DRC2RMIX Input 2 Volume	0	0	0	0	0	0	0	0	DRC2RMIX_VOL2 [6:0]						0	0080h	
R2268 (8DCh)	DRC2RMIX Input 3 Source	DRC2RMIX_STS3	0	0	0	0	0	0	0	DRC2RMIX_SRC3 [7:0]						0	0000h	
R2269 (8DDh)	DRC2RMIX Input 3 Volume	0	0	0	0	0	0	0	0	DRC2RMIX_VOL3 [6:0]						0	0080h	
R2270 (8DEh)	DRC2RMIX Input 4 Source	DRC2RMIX_STS4	0	0	0	0	0	0	0	DRC2RMIX_SRC4 [7:0]						0	0000h	
R2271 (8DFh)	DRC2RMIX Input 4 Volume	0	0	0	0	0	0	0	0	DRC2RMIX_VOL4 [6:0]						0	0080h	
R2304 (900h)	HPLP1MIX Input 1 Source	LHPF1MIX_STS1	0	0	0	0	0	0	0	LHPF1MIX_SRC1 [7:0]						0	0000h	
R2305 (901h)	HPLP1MIX Input 1 Volume	0	0	0	0	0	0	0	0	LHPF1MIX_VOL1 [6:0]						0	0080h	
R2306 (902h)	HPLP1MIX Input 2 Source	LHPF1MIX_STS2	0	0	0	0	0	0	0	LHPF1MIX_SRC2 [7:0]						0	0000h	
R2307 (903h)	HPLP1MIX Input 2 Volume	0	0	0	0	0	0	0	0	LHPF1MIX_VOL2 [6:0]						0	0080h	
R2308 (904h)	HPLP1MIX Input 3 Source	LHPF1MIX_STS3	0	0	0	0	0	0	0	LHPF1MIX_SRC3 [7:0]						0	0000h	
R2309 (905h)	HPLP1MIX Input 3 Volume	0	0	0	0	0	0	0	0	LHPF1MIX_VOL3 [6:0]						0	0080h	
R2310 (906h)	HPLP1MIX Input 4 Source	LHPF1MIX_STS4	0	0	0	0	0	0	0	LHPF1MIX_SRC4 [7:0]						0	0000h	
R2311 (907h)	HPLP1MIX Input 4 Volume	0	0	0	0	0	0	0	0	LHPF1MIX_VOL4 [6:0]						0	0080h	
R2312 (908h)	HPLP2MIX Input 1 Source	LHPF2MIX_STS1	0	0	0	0	0	0	0	LHPF2MIX_SRC1 [7:0]						0	0000h	
R2313 (909h)	HPLP2MIX Input 1 Volume	0	0	0	0	0	0	0	0	LHPF2MIX_VOL1 [6:0]						0	0080h	
R2314 (90Ah)	HPLP2MIX Input 2 Source	LHPF2MIX_STS2	0	0	0	0	0	0	0	LHPF2MIX_SRC2 [7:0]						0	0000h	
R2315 (90Bh)	HPLP2MIX Input 2 Volume	0	0	0	0	0	0	0	0	LHPF2MIX_VOL2 [6:0]						0	0080h	

REG	NAME	15	14	13	12	11	10	9	8	7	6	5	4	3	2	1	0	DEFAULT
R2316 (90Ch)	HPLP2MIX Input 3 Source	LHPF2 MIX_S TS3	0	0	0	0	0	0	0	LHPF2MIX_SRC3 [7:0]							0000h	
R2317 (90Dh)	HPLP2MIX Input 3 Volume		0	0	0	0	0	0	0	LHPF2MIX_VOL3 [6:0]							0	0080h
R2318 (90Eh)	HPLP2MIX Input 4 Source	LHPF2 MIX_S TS4	0	0	0	0	0	0	0	LHPF2MIX_SRC4 [7:0]							0000h	
R2319 (90Fh)	HPLP2MIX Input 4 Volume		0	0	0	0	0	0	0	LHPF2MIX_VOL4 [6:0]							0	0080h
R2320 (910h)	HPLP3MIX Input 1 Source	LHPF3 MIX_S TS1	0	0	0	0	0	0	0	LHPF3MIX_SRC1 [7:0]							0000h	
R2321 (911h)	HPLP3MIX Input 1 Volume		0	0	0	0	0	0	0	LHPF3MIX_VOL1 [6:0]							0	0080h
R2322 (912h)	HPLP3MIX Input 2 Source	LHPF3 MIX_S TS2	0	0	0	0	0	0	0	LHPF3MIX_SRC2 [7:0]							0000h	
R2323 (913h)	HPLP3MIX Input 2 Volume		0	0	0	0	0	0	0	LHPF3MIX_VOL2 [6:0]							0	0080h
R2324 (914h)	HPLP3MIX Input 3 Source	LHPF3 MIX_S TS3	0	0	0	0	0	0	0	LHPF3MIX_SRC3 [7:0]							0000h	
R2325 (915h)	HPLP3MIX Input 3 Volume		0	0	0	0	0	0	0	LHPF3MIX_VOL3 [6:0]							0	0080h
R2326 (916h)	HPLP3MIX Input 4 Source	LHPF3 MIX_S TS4	0	0	0	0	0	0	0	LHPF3MIX_SRC4 [7:0]							0000h	
R2327 (917h)	HPLP3MIX Input 4 Volume		0	0	0	0	0	0	0	LHPF3MIX_VOL4 [6:0]							0	0080h
R2328 (918h)	HPLP4MIX Input 1 Source	LHPF4 MIX_S TS1	0	0	0	0	0	0	0	LHPF4MIX_SRC1 [7:0]							0000h	
R2329 (919h)	HPLP4MIX Input 1 Volume		0	0	0	0	0	0	0	LHPF4MIX_VOL1 [6:0]							0	0080h
R2330 (91Ah)	HPLP4MIX Input 2 Source	LHPF4 MIX_S TS2	0	0	0	0	0	0	0	LHPF4MIX_SRC2 [7:0]							0000h	
R2331 (91Bh)	HPLP4MIX Input 2 Volume		0	0	0	0	0	0	0	LHPF4MIX_VOL2 [6:0]							0	0080h
R2332 (91Ch)	HPLP4MIX Input 3 Source	LHPF4 MIX_S TS3	0	0	0	0	0	0	0	LHPF4MIX_SRC3 [7:0]							0000h	
R2333 (91Dh)	HPLP4MIX Input 3 Volume		0	0	0	0	0	0	0	LHPF4MIX_VOL3 [6:0]							0	0080h
R2334 (91Eh)	HPLP4MIX Input 4 Source	LHPF4 MIX_S TS4	0	0	0	0	0	0	0	LHPF4MIX_SRC4 [7:0]							0000h	
R2335 (91Fh)	HPLP4MIX Input 4 Volume		0	0	0	0	0	0	0	LHPF4MIX_VOL4 [6:0]							0	0080h
R2368 (940h)	DSP1LMIX Input 1 Source	DSP1L MIX_S TS1	0	0	0	0	0	0	0	DSP1LMIX_SRC1 [7:0]							0000h	
R2369 (941h)	DSP1LMIX Input 1 Volume		0	0	0	0	0	0	0	DSP1LMIX_VOL1 [6:0]							0	0080h
R2370 (942h)	DSP1LMIX Input 2 Source	DSP1L MIX_S TS2	0	0	0	0	0	0	0	DSP1LMIX_SRC2 [7:0]							0000h	

REG	NAME	15	14	13	12	11	10	9	8	7	6	5	4	3	2	1	0	DEFAULT
R2371 (943h)	DSP1LMIX Input 2 Volume	0	0	0	0	0	0	0	0	DSP1LMIX_VOL2 [6:0]							0	0080h
R2372 (944h)	DSP1LMIX Input 3 Source	DSP1L MIX_S TS3	0	0	0	0	0	0	0	DSP1LMIX_SRC3 [7:0]								0000h
R2373 (945h)	DSP1LMIX Input 3 Volume	0	0	0	0	0	0	0	0	DSP1LMIX_VOL3 [6:0]							0	0080h
R2374 (946h)	DSP1LMIX Input 4 Source	DSP1L MIX_S TS4	0	0	0	0	0	0	0	DSP1LMIX_SRC4 [7:0]								0000h
R2375 (947h)	DSP1LMIX Input 4 Volume	0	0	0	0	0	0	0	0	DSP1LMIX_VOL4 [6:0]							0	0080h
R2376 (948h)	DSP1RMIX Input 1 Source	DSP1 RMIX_ STS1	0	0	0	0	0	0	0	DSP1RMIX_SRC1 [7:0]								0000h
R2377 (949h)	DSP1RMIX Input 1 Volume	0	0	0	0	0	0	0	0	DSP1RMIX_VOL1 [6:0]							0	0080h
R2378 (94Ah)	DSP1RMIX Input 2 Source	DSP1 RMIX_ STS2	0	0	0	0	0	0	0	DSP1RMIX_SRC2 [7:0]								0000h
R2379 (94Bh)	DSP1RMIX Input 2 Volume	0	0	0	0	0	0	0	0	DSP1RMIX_VOL2 [6:0]							0	0080h
R2380 (94Ch)	DSP1RMIX Input 3 Source	DSP1 RMIX_ STS3	0	0	0	0	0	0	0	DSP1RMIX_SRC3 [7:0]								0000h
R2381 (94Dh)	DSP1RMIX Input 3 Volume	0	0	0	0	0	0	0	0	DSP1RMIX_VOL3 [6:0]							0	0080h
R2382 (94Eh)	DSP1RMIX Input 4 Source	DSP1 RMIX_ STS4	0	0	0	0	0	0	0	DSP1RMIX_SRC4 [7:0]								0000h
R2383 (94Fh)	DSP1RMIX Input 4 Volume	0	0	0	0	0	0	0	0	DSP1RMIX_VOL4 [6:0]							0	0080h
R2384 (950h)	DSP1AUX1MIX Input 1 Source	DSP1 AUX1 MIX_S TS	0	0	0	0	0	0	0	DSP1AUX1_SRC [7:0]								0000h
R2392 (958h)	DSP1AUX2MIX Input 1 Source	DSP1 AUX2 MIX_S TS	0	0	0	0	0	0	0	DSP1AUX2_SRC [7:0]								0000h
R2400 (960h)	DSP1AUX3MIX Input 1 Source	DSP1 AUX3 MIX_S TS	0	0	0	0	0	0	0	DSP1AUX3_SRC [7:0]								0000h
R2408 (968h)	DSP1AUX4MIX Input 1 Source	DSP1 AUX4 MIX_S TS	0	0	0	0	0	0	0	DSP1AUX4_SRC [7:0]								0000h
R2416 (970h)	DSP1AUX5MIX Input 1 Source	DSP1 AUX5 MIX_S TS	0	0	0	0	0	0	0	DSP1AUX5_SRC [7:0]								0000h
R2424 (978h)	DSP1AUX6MIX Input 1 Source	DSP1 AUX6 MIX_S TS	0	0	0	0	0	0	0	DSP1AUX6_SRC [7:0]								0000h
R2432 (980h)	DSP2LMIX Input 1 Source	DSP2L MIX_S TS1	0	0	0	0	0	0	0	DSP2LMIX_SRC1 [7:0]								0000h

REG	NAME	15	14	13	12	11	10	9	8	7	6	5	4	3	2	1	0	DEFAULT
R2433 (981h)	DSP2LMIX Input 1 Volume	0	0	0	0	0	0	0	0	DSP2LMIX_VOL1 [6:0]						0	0080h	
R2434 (982h)	DSP2LMIX Input 2 Source	DSP2L MIX_S TS2	0	0	0	0	0	0	0	DSP2LMIX_SRC2 [7:0]							0000h	
R2435 (983h)	DSP2LMIX Input 2 Volume	0	0	0	0	0	0	0	0	DSP2LMIX_VOL2 [6:0]						0	0080h	
R2436 (984h)	DSP2LMIX Input 3 Source	DSP2L MIX_S TS3	0	0	0	0	0	0	0	DSP2LMIX_SRC3 [7:0]							0000h	
R2437 (985h)	DSP2LMIX Input 3 Volume	0	0	0	0	0	0	0	0	DSP2LMIX_VOL3 [6:0]						0	0080h	
R2438 (986h)	DSP2LMIX Input 4 Source	DSP2L MIX_S TS4	0	0	0	0	0	0	0	DSP2LMIX_SRC4 [7:0]							0000h	
R2439 (987h)	DSP2LMIX Input 4 Volume	0	0	0	0	0	0	0	0	DSP2LMIX_VOL4 [6:0]						0	0080h	
R2440 (988h)	DSP2RMIX Input 1 Source	DSP2 RMIX_ STS1	0	0	0	0	0	0	0	DSP2RMIX_SRC1 [7:0]							0000h	
R2441 (989h)	DSP2RMIX Input 1 Volume	0	0	0	0	0	0	0	0	DSP2RMIX_VOL1 [6:0]						0	0080h	
R2442 (98Ah)	DSP2RMIX Input 2 Source	DSP2 RMIX_ STS2	0	0	0	0	0	0	0	DSP2RMIX_SRC2 [7:0]							0000h	
R2443 (98Bh)	DSP2RMIX Input 2 Volume	0	0	0	0	0	0	0	0	DSP2RMIX_VOL2 [6:0]						0	0080h	
R2444 (98Ch)	DSP2RMIX Input 3 Source	DSP2 RMIX_ STS3	0	0	0	0	0	0	0	DSP2RMIX_SRC3 [7:0]							0000h	
R2445 (98Dh)	DSP2RMIX Input 3 Volume	0	0	0	0	0	0	0	0	DSP2RMIX_VOL3 [6:0]						0	0080h	
R2446 (98Eh)	DSP2RMIX Input 4 Source	DSP2 RMIX_ STS4	0	0	0	0	0	0	0	DSP2RMIX_SRC4 [7:0]							0000h	
R2447 (98Fh)	DSP2RMIX Input 4 Volume	0	0	0	0	0	0	0	0	DSP2RMIX_VOL4 [6:0]						0	0080h	
R2448 (990h)	DSP2AUX1MIX Input 1 Source	DSP2 AUX1 MIX_S TS	0	0	0	0	0	0	0	DSP2AUX1_SRC [7:0]							0000h	
R2456 (998h)	DSP2AUX2MIX Input 1 Source	DSP2 AUX2 MIX_S TS	0	0	0	0	0	0	0	DSP2AUX2_SRC [7:0]							0000h	
R2464 (9A0h)	DSP2AUX3MIX Input 1 Source	DSP2 AUX3 MIX_S TS	0	0	0	0	0	0	0	DSP2AUX3_SRC [7:0]							0000h	
R2472 (9A8h)	DSP2AUX4MIX Input 1 Source	DSP2 AUX4 MIX_S TS	0	0	0	0	0	0	0	DSP2AUX4_SRC [7:0]							0000h	
R2480 (9B0h)	DSP2AUX5MIX Input 1 Source	DSP2 AUX5 MIX_S TS	0	0	0	0	0	0	0	DSP2AUX5_SRC [7:0]							0000h	

REG	NAME	15	14	13	12	11	10	9	8	7	6	5	4	3	2	1	0	DEFAULT
R2488 (9B8h)	DSP2AUX6MIX Input 1 Source	DSP2AUX6MIX_STS	0	0	0	0	0	0	0	DSP2AUX6_SRC [7:0]							0000h	
R2496 (9C0h)	DSP3LMIX Input 1 Source	DSP3LMIX_STS1	0	0	0	0	0	0	0	DSP3LMIX_SRC1 [7:0]							0000h	
R2497 (9C1h)	DSP3LMIX Input 1 Volume		0	0	0	0	0	0	0	DSP3LMIX_VOL1 [6:0]						0	0080h	
R2498 (9C2h)	DSP3LMIX Input 2 Source	DSP3LMIX_STS2	0	0	0	0	0	0	0	DSP3LMIX_SRC2 [7:0]							0000h	
R2499 (9C3h)	DSP3LMIX Input 2 Volume		0	0	0	0	0	0	0	DSP3LMIX_VOL2 [6:0]						0	0080h	
R2500 (9C4h)	DSP3LMIX Input 3 Source	DSP3LMIX_STS3	0	0	0	0	0	0	0	DSP3LMIX_SRC3 [7:0]							0000h	
R2501 (9C5h)	DSP3LMIX Input 3 Volume		0	0	0	0	0	0	0	DSP3LMIX_VOL3 [6:0]						0	0080h	
R2502 (9C6h)	DSP3LMIX Input 4 Source	DSP3LMIX_STS4	0	0	0	0	0	0	0	DSP3LMIX_SRC4 [7:0]							0000h	
R2503 (9C7h)	DSP3LMIX Input 4 Volume		0	0	0	0	0	0	0	DSP3LMIX_VOL4 [6:0]						0	0080h	
R2504 (9C8h)	DSP3RMIX Input 1 Source	DSP3RMIX_STS1	0	0	0	0	0	0	0	DSP3RMIX_SRC1 [7:0]							0000h	
R2505 (9C9h)	DSP3RMIX Input 1 Volume		0	0	0	0	0	0	0	DSP3RMIX_VOL1 [6:0]						0	0080h	
R2506 (9CAh)	DSP3RMIX Input 2 Source	DSP3RMIX_STS2	0	0	0	0	0	0	0	DSP3RMIX_SRC2 [7:0]							0000h	
R2507 (9CBh)	DSP3RMIX Input 2 Volume		0	0	0	0	0	0	0	DSP3RMIX_VOL2 [6:0]						0	0080h	
R2508 (9CCh)	DSP3RMIX Input 3 Source	DSP3RMIX_STS3	0	0	0	0	0	0	0	DSP3RMIX_SRC3 [7:0]							0000h	
R2509 (9CDh)	DSP3RMIX Input 3 Volume		0	0	0	0	0	0	0	DSP3RMIX_VOL3 [6:0]						0	0080h	
R2510 (9CEh)	DSP3RMIX Input 4 Source	DSP3RMIX_STS4	0	0	0	0	0	0	0	DSP3RMIX_SRC4 [7:0]							0000h	
R2511 (9CFh)	DSP3RMIX Input 4 Volume		0	0	0	0	0	0	0	DSP3RMIX_VOL4 [6:0]						0	0080h	
R2512 (9D0h)	DSP3AUX1MIX Input 1 Source	DSP3AUX1MIX_STS	0	0	0	0	0	0	0	DSP3AUX1_SRC [7:0]							0000h	
R2520 (9D8h)	DSP3AUX2MIX Input 1 Source	DSP3AUX2MIX_STS	0	0	0	0	0	0	0	DSP3AUX2_SRC [7:0]							0000h	
R2528 (9E0h)	DSP3AUX3MIX Input 1 Source	DSP3AUX3MIX_STS	0	0	0	0	0	0	0	DSP3AUX3_SRC [7:0]							0000h	



REG	NAME	15	14	13	12	11	10	9	8	7	6	5	4	3	2	1	0	DEFAULT
R2536 (9E8h)	DSP3AUX4MIX Input 1 Source	DSP3 AUX4 MIX_S TS	0	0	0	0	0	0	0	DSP3AUX4_SRC [7:0]							0000h	
R2544 (9F0h)	DSP3AUX5MIX Input 1 Source	DSP3 AUX5 MIX_S TS	0	0	0	0	0	0	0	DSP3AUX5_SRC [7:0]							0000h	
R2552 (9F8h)	DSP3AUX6MIX Input 1 Source	DSP3 AUX6 MIX_S TS	0	0	0	0	0	0	0	DSP3AUX6_SRC [7:0]							0000h	
R2560 (A00h)	DSP4LMIX Input 1 Source	DSP4L MIX_S TS1	0	0	0	0	0	0	0	DSP4LMIX_SRC1 [7:0]							0000h	
R2561 (A01h)	DSP4LMIX Input 1 Volume	0	0	0	0	0	0	0	0	DSP4LMIX_VOL1 [6:0]						0	0080h	
R2562 (A02h)	DSP4LMIX Input 2 Source	DSP4L MIX_S TS2	0	0	0	0	0	0	0	DSP4LMIX_SRC2 [7:0]							0000h	
R2563 (A03h)	DSP4LMIX Input 2 Volume	0	0	0	0	0	0	0	0	DSP4LMIX_VOL2 [6:0]						0	0080h	
R2564 (A04h)	DSP4LMIX Input 3 Source	DSP4L MIX_S TS3	0	0	0	0	0	0	0	DSP4LMIX_SRC3 [7:0]							0000h	
R2565 (A05h)	DSP4LMIX Input 3 Volume	0	0	0	0	0	0	0	0	DSP4LMIX_VOL3 [6:0]						0	0080h	
R2566 (A06h)	DSP4LMIX Input 4 Source	DSP4L MIX_S TS4	0	0	0	0	0	0	0	DSP4LMIX_SRC4 [7:0]							0000h	
R2567 (A07h)	DSP4LMIX Input 4 Volume	0	0	0	0	0	0	0	0	DSP4LMIX_VOL4 [6:0]						0	0080h	
R2568 (A08h)	DSP4RMIX Input 1 Source	DSP4 RMIX_ STS1	0	0	0	0	0	0	0	DSP4RMIX_SRC1 [7:0]							0000h	
R2569 (A09h)	DSP4RMIX Input 1 Volume	0	0	0	0	0	0	0	0	DSP4RMIX_VOL1 [6:0]						0	0080h	
R2570 (A0Ah)	DSP4RMIX Input 2 Source	DSP4 RMIX_ STS2	0	0	0	0	0	0	0	DSP4RMIX_SRC2 [7:0]							0000h	
R2571 (A0Bh)	DSP4RMIX Input 2 Volume	0	0	0	0	0	0	0	0	DSP4RMIX_VOL2 [6:0]						0	0080h	
R2572 (A0Ch)	DSP4RMIX Input 3 Source	DSP4 RMIX_ STS3	0	0	0	0	0	0	0	DSP4RMIX_SRC3 [7:0]							0000h	
R2573 (A0Dh)	DSP4RMIX Input 3 Volume	0	0	0	0	0	0	0	0	DSP4RMIX_VOL3 [6:0]						0	0080h	
R2574 (A0Eh)	DSP4RMIX Input 4 Source	DSP4 RMIX_ STS4	0	0	0	0	0	0	0	DSP4RMIX_SRC4 [7:0]							0000h	
R2575 (A0Fh)	DSP4RMIX Input 4 Volume	0	0	0	0	0	0	0	0	DSP4RMIX_VOL4 [6:0]						0	0080h	
R2576 (A10h)	DSP4AUX1MIX Input 1 Source	DSP4 AUX1 MIX_S TS	0	0	0	0	0	0	0	DSP4AUX1_SRC [7:0]							0000h	

REG	NAME	15	14	13	12	11	10	9	8	7	6	5	4	3	2	1	0	DEFAULT
R2584 (A18h)	DSP4AUX2MIX Input 1 Source	DSP4 AUX2 MIX_S TS	0	0	0	0	0	0	0	DSP4AUX2_SRC [7:0]							0000h	
R2592 (A20h)	DSP4AUX3MIX Input 1 Source	DSP4 AUX3 MIX_S TS	0	0	0	0	0	0	0	DSP4AUX3_SRC [7:0]							0000h	
R2600 (A28h)	DSP4AUX4MIX Input 1 Source	DSP4 AUX4 MIX_S TS	0	0	0	0	0	0	0	DSP4AUX4_SRC [7:0]							0000h	
R2608 (A30h)	DSP4AUX5MIX Input 1 Source	DSP4 AUX5 MIX_S TS	0	0	0	0	0	0	0	DSP4AUX5_SRC [7:0]							0000h	
R2616 (A38h)	DSP4AUX6MIX Input 1 Source	DSP4 AUX6 MIX_S TS	0	0	0	0	0	0	0	DSP4AUX6_SRC [7:0]							0000h	
R2688 (A80h)	ASRC1LMIX Input 1 Source	ASRC 1LMIX _STS	0	0	0	0	0	0	0	ASRC1L_SRC [7:0]							0000h	
R2696 (A88h)	ASRC1RMIX Input 1 Source	ASRC 1RMIX _STS	0	0	0	0	0	0	0	ASRC1R_SRC [7:0]							0000h	
R2704 (A90h)	ASRC2LMIX Input 1 Source	ASRC 2LMIX _STS	0	0	0	0	0	0	0	ASRC2L_SRC [7:0]							0000h	
R2712 (A98h)	ASRC2RMIX Input 1 Source	ASRC 2RMIX _STS	0	0	0	0	0	0	0	ASRC2R_SRC [7:0]							0000h	
R2816 (B00h)	ISRC1DEC1MIX Input 1 Source	ISRC1 DEC1 MIX_S TS	0	0	0	0	0	0	0	ISRC1DEC1_SRC [7:0]							0000h	
R2824 (B08h)	ISRC1DEC2MIX Input 1 Source	ISRC1 DEC2 MIX_S TS	0	0	0	0	0	0	0	ISRC1DEC2_SRC [7:0]							0000h	
R2832 (B10h)	ISRC1DEC3MIX Input 1 Source	ISRC1 DEC3 MIX_S TS	0	0	0	0	0	0	0	ISRC1DEC3_SRC [7:0]							0000h	
R2840 (B18h)	ISRC1DEC4MIX Input 1 Source	ISRC1 DEC4 MIX_S TS	0	0	0	0	0	0	0	ISRC1DEC4_SRC [7:0]							0000h	
R2848 (B20h)	ISRC1INT1MIX Input 1 Source	ISRC1I NT1MI X_STS	0	0	0	0	0	0	0	ISRC1INT1_SRC [7:0]							0000h	
R2856 (B28h)	ISRC1INT2MIX Input 1 Source	ISRC1I NT2MI X_STS	0	0	0	0	0	0	0	ISRC1INT2_SRC [7:0]							0000h	
R2864 (B30h)	ISRC1INT3MIX Input 1 Source	ISRC1I NT3MI X_STS	0	0	0	0	0	0	0	ISRC1INT3_SRC [7:0]							0000h	
R2872 (B38h)	ISRC1INT4MIX Input 1 Source	ISRC1I NT4MI X_STS	0	0	0	0	0	0	0	ISRC1INT4_SRC [7:0]							0000h	

REG	NAME	15	14	13	12	11	10	9	8	7	6	5	4	3	2	1	0	DEFAULT
R2880 (B40h)	ISRC2DEC1MIX Input 1 Source	ISRC2 DEC1 MIX_S TS	0	0	0	0	0	0	0	ISRC2DEC1_SRC [7:0]							0000h	
R2888 (B48h)	ISRC2DEC2MIX Input 1 Source	ISRC2 DEC2 MIX_S TS	0	0	0	0	0	0	0	ISRC2DEC2_SRC [7:0]							0000h	
R2896 (B50h)	ISRC2DEC3MIX Input 1 Source	ISRC2 DEC3 MIX_S TS	0	0	0	0	0	0	0	ISRC2DEC3_SRC [7:0]							0000h	
R2904 (B58h)	ISRC2DEC4MIX Input 1 Source	ISRC2 DEC4 MIX_S TS	0	0	0	0	0	0	0	ISRC2DEC4_SRC [7:0]							0000h	
R2912 (B60h)	ISRC2INT1MIX Input 1 Source	ISRC2I NT1MI X_STS	0	0	0	0	0	0	0	ISRC2INT1_SRC [7:0]							0000h	
R2920 (B68h)	ISRC2INT2MIX Input 1 Source	ISRC2I NT2MI X_STS	0	0	0	0	0	0	0	ISRC2INT2_SRC [7:0]							0000h	
R2928 (B70h)	ISRC2INT3MIX Input 1 Source	ISRC2I NT3MI X_STS	0	0	0	0	0	0	0	ISRC2INT3_SRC [7:0]							0000h	
R2936 (B78h)	ISRC2INT4MIX Input 1 Source	ISRC2I NT4MI X_STS	0	0	0	0	0	0	0	ISRC2INT4_SRC [7:0]							0000h	
R2944 (B80h)	ISRC3DEC1MIX Input 1 Source	ISRC3 DEC1 MIX_S TS	0	0	0	0	0	0	0	ISRC3DEC1_SRC [7:0]							0000h	
R2952 (B88h)	ISRC3DEC2MIX Input 1 Source	ISRC3 DEC2 MIX_S TS	0	0	0	0	0	0	0	ISRC3DEC2_SRC [7:0]							0000h	
R2960 (B90h)	ISRC3DEC3MIX Input 1 Source	ISRC3 DEC3 MIX_S TS	0	0	0	0	0	0	0	ISRC3DEC3_SRC [7:0]							0000h	
R2968 (B98h)	ISRC3DEC4MIX Input 1 Source	ISRC3 DEC4 MIX_S TS	0	0	0	0	0	0	0	ISRC3DEC4_SRC [7:0]							0000h	
R2976 (BA0h)	ISRC3INT1MIX Input 1 Source	ISRC3I NT1MI X_STS	0	0	0	0	0	0	0	ISRC3INT1_SRC [7:0]							0000h	
R2984 (BA8h)	ISRC3INT2MIX Input 1 Source	ISRC3I NT2MI X_STS	0	0	0	0	0	0	0	ISRC3INT2_SRC [7:0]							0000h	
R2992 (BB0h)	ISRC3INT3MIX Input 1 Source	ISRC3I NT3MI X_STS	0	0	0	0	0	0	0	ISRC3INT3_SRC [7:0]							0000h	
R3000 (BB8h)	ISRC3INT4MIX Input 1 Source	ISRC3I NT4MI X_STS	0	0	0	0	0	0	0	ISRC3INT4_SRC [7:0]							0000h	
R3072 (C00h)	GPIO1 CTRL	GP1_ DIR	GP1_P U	GP1_P D	0	GP1_L VL	GP1_P OL	GP1_ OP_C FG	GP1_ DB	0	GP1_FN [6:0]						A101h	

REG	NAME	15	14	13	12	11	10	9	8	7	6	5	4	3	2	1	0	DEFAULT	
R3073 (C01h)	GPIO2 CTRL	GP2_DIR	GP2_PU	GP2_PD	0	GP2_LVL	GP2_POL	GP2_OP_CFG	GP2_DB	0	GP2_FN [6:0]						A101h		
R3074 (C02h)	GPIO3 CTRL	GP3_DIR	GP3_PU	GP3_PD	0	GP3_LVL	GP3_POL	GP3_OP_CFG	GP3_DB	0	GP3_FN [6:0]						A101h		
R3075 (C03h)	GPIO4 CTRL	GP4_DIR	GP4_PU	GP4_PD	0	GP4_LVL	GP4_POL	GP4_OP_CFG	GP4_DB	0	GP4_FN [6:0]						A101h		
R3076 (C04h)	GPIO5 CTRL	GP5_DIR	GP5_PU	GP5_PD	0	GP5_LVL	GP5_POL	GP5_OP_CFG	GP5_DB	0	GP5_FN [6:0]						A101h		
R3087 (C0Fh)	IRQ CTRL 1	0	0	0	0	0	IRQ_POL	IRQ_OP_CFG	0	0	0	0	0	0	0	0	0	0400h	
R3088 (C10h)	GPIO Debounce Config	GP_DBTIME [3:0]				0	0	0	0	0	0	0	0	0	0	0	0	0	1000h
R3096 (C18h)	GP Switch 1	0	0	0	0	0	0	0	0	0	0	0	0	0	0	0	SW1_MODE [1:0]	0000h	
R3104 (C20h)	Misc Pad Ctrl 1	LDO1_ENA_PD	LDO1_ENA_PU	MCLK_2_PD	0	0	0	0	0	0	0	0	0	0	0	RESE_T_PU	RESE_T_PD	8002h	
R3105 (C21h)	Misc Pad Ctrl 2	0	0	0	MCLK_1_PD	0	0	0	0	0	0	0	0	0	0	0	ADDR_PD	0001h	
R3106 (C22h)	Misc Pad Ctrl 3	0	0	0	0	0	0	0	0	0	0	0	0	DMIC_DAT4_PD	DMIC_DAT3_PD	DMIC_DAT2_PD	DMIC_DAT1_PD	0000h	
R3107 (C23h)	Misc Pad Ctrl 4	0	0	0	0	0	0	0	0	0	0	AIF1L_RCLK_PU	AIF1L_RCLK_PD	AIF1B_CLK_PU	AIF1B_CLK_PD	AIF1R_XDAT_PU	AIF1R_XDAT_PD	0000h	
R3108 (C24h)	Misc Pad Ctrl 5	0	0	0	0	0	0	0	0	0	0	AIF2L_RCLK_PU	AIF2L_RCLK_PD	AIF2B_CLK_PU	AIF2B_CLK_PD	AIF2R_XDAT_PU	AIF2R_XDAT_PD	0000h	
R3109 (C25h)	Misc Pad Ctrl 6	0	0	0	0	0	0	0	0	0	0	AIF3L_RCLK_PU	AIF3L_RCLK_PD	AIF3B_CLK_PU	AIF3B_CLK_PD	AIF3R_XDAT_PU	AIF3R_XDAT_PD	0000h	
R3120 (C30h)	Misc Pad Ctrl 7	0	0	0	0	0	CIF1M_ISO_GPIO4_DRV_STR	0	0	0	0	0	0	0	CIF1S_DA_CIF1MIS_O_DRV_STR	0	0	0404h	
R3121 (C31h)	Misc Pad Ctrl 8	0	0	0	0	0	0	0	0	0	0	0	0	0	CIF2S_DA_DRV_STR	0	0	0004h	
R3122 (C32h)	Misc Pad Ctrl 9	0	0	0	0	0	AIF1L_RCLK_DRV_STR	0	0	0	0	0	0	0	GPIO1_DRV_STR	0	0	0404h	
R3123 (C33h)	Misc Pad Ctrl 10	0	0	0	0	0	AIF1B_CLK_DRV_STR	0	0	0	0	0	0	0	AIF1T_XDAT_DRV_STR	0	0	0404h	
R3124 (C34h)	Misc Pad Ctrl 11	0	0	0	0	0	AIF2L_RCLK_DRV_STR	0	0	0	0	0	0	0	GPIO2_DRV_STR	0	0	0404h	

REG	NAME	15	14	13	12	11	10	9	8	7	6	5	4	3	2	1	0	DEFAULT	
R3125 (C35h)	Misc Pad Ctrl 12	0	0	0	0	0	AIF2B CLK_D RV_ST R	0	0	0	0	0	0	0	AIF2T XDAT_ DRV_ STR	0	0	0404h	
R3126 (C36h)	Misc Pad Ctrl 13	0	0	0	0	0	AIF3L RCLK_ DRV_ STR	0	0	0	0	0	0	0	GPIO3 _DRV_ STR	0	0	0404h	
R3127 (C37h)	Misc Pad Ctrl 14	0	0	0	0	0	AIF3B CLK_D RV_ST R	0	0	0	0	0	0	0	AIF3T XDAT_ DRV_ STR	0	0	0404h	
R3128 (C38h)	Misc Pad Ctrl 15	0	0	0	0	0	SLIMD AT_D RV_ST R	0	0	0	0	0	0	0	SLIMC LK_DR V_STR	0	00	0004h	
R3129 (C39h)	Misc Pad Ctrl 16	0	0	0	0	0	IRQ_D RV_ST R	0	0	0	0	0	0	0	GPIO5 _DRV_ STR	0	0	0404h	
R3130 (C3Ah)	Misc Pad Ctrl 17	0	0	0	0	0	SPKD AT1_D RV_ST R	0	0	0	0	0	0	0	SPKC LK1_D RV_ST R	0	00	0404h	
R3131 (C3Bh)	Misc Pad Ctrl 18	0	0	0	0	0	SPKD AT2_D RV_ST R	0	0	0	0	0	0	0	SPKC LK2_D RV_ST R	0	0	0404h	
R3328 (D00h)	Interrupt Status 1	0	0	0	0	0	0	0	0	0	0	0	0	0	GP4_E INT1	GP3_E INT1	GP2_E INT1	GP1_E INT1	0000h
R3329 (D01h)	Interrupt Status 2	0	0	0	0	DSP4_ RAM_ RDY_ EINT1	DSP3_ RAM_ RDY_ EINT1	DSP2_ RAM_ RDY_ EINT1	DSP1_ RAM_ RDY_ EINT1	DSP_I RQ8_ RDY_ EINT1	DSP_I RQ7_ RDY_ EINT1	DSP_I RQ6_ RDY_ EINT1	DSP_I RQ5_ RDY_ EINT1	DSP_I RQ4_ RDY_ EINT1	DSP_I RQ3_ RDY_ EINT1	DSP_I RQ2_ RDY_ EINT1	DSP_I RQ1_ RDY_ EINT1	0000h	
R3330 (D02h)	Interrupt Status 3	SPK_ OVER HEAT_ WARN_ _EINT 1	SPK_ OVER HEAT_ _EINT1	HPDE T_EIN T1	MICDE T_EIN T1	WSEQ _DON E_EIN T1	DRC2_ _SIG_ DET_E INT1	DRC1_ _SIG_ DET_E INT1	ASRC 2_LOC K_EIN T1	ASRC 1_LOC K_EIN T1	UNDE R_CLO CKED_ _EINT 1	OVER CLOC KED_ _EINT1	0	FLL2_ LOCK_ _EINT 1	FLL1_ LOCK_ _EINT 1	CLKG EN_E RR_EI NT1	CLKG EN_E RR_A SYNC _EINT 1	0000h	
R3331 (D03h)	Interrupt Status 4	0	0	0	CTRLI F_ER R_EIN T1	MIXER _DRO PPED _SAM PLE_E INT1	ASYN C_CLK _ENA_ LOW_ EINT1	SYSC LK_EN A_LO W_EIN T1	ISRC1 _CFG_ ERR_ EINT1	ISRC2 _CFG_ ERR_ EINT1	ISRC3 _CFG_ ERR_ EINT1	HP3R_ DONE _EINT 1	HP3L_ DONE _EINT 1	HP2R_ DONE _EINT 1	HP2L_ DONE _EINT 1	HP1R_ DONE _EINT 1	HP1L_ DONE _EINT 1	0000h	
R3332 (D04h)	Interrupt Status 5	0	0	0	0	0	0	BOOT _DON E_EIN T1	0	0	0	ADC_ OVER FLOW _EINT 1	ADC_ FIFO_ OU_EI NT1	ASRC _CFG_ ERR_ EINT1	0	FLL2_ CLOC K_OK_ EINT1	FLL1_ CLOC K_OK_ EINT1	0000h	
R3333 (D05h)	Interrupt Status 6	DSP_ SHAR ED_W R_CO LL_EI NT1	SPK_S HUTD OWN_ EINT1	SPKO UTR_ SHOR T_EIN T1	SPKO UTL_S HORT _EINT 1	HP3R_ SC_N EG_EI NT1	HP3R_ SC_P OS_EI NT1	HP3L_ SC_N EG_EI NT1	HP3L_ SC_P OS_EI NT1	HP2R_ SC_N EG_EI NT1	HP2R_ SC_P OS_EI NT1	HP2L_ SC_N EG_EI NT1	HP2L_ SC_P OS_EI NT1	HP1R_ SC_N EG_EI NT1	HP1R_ SC_P OS_EI NT1	HP1L_ SC_N EG_EI NT1	HP1L_ SC_P OS_EI NT1	0000h	
R3336 (D08h)	Interrupt Status 1 Mask	0	0	0	0	0	0	0	0	0	0	0	0	IM_GP 4_EIN T1	IM_GP 3_EIN T1	IM_GP 2_EIN T1	IM_GP 1_EIN T1	000Fh	

REG	NAME	15	14	13	12	11	10	9	8	7	6	5	4	3	2	1	0	DEFAULT
R3337 (D09h)	Interrupt Status 2 Mask	0	0	0	0	IM_DS P4_RA M_RD Y_EIN T1	IM_DS P3_RA M_RD Y_EIN T1	IM_DS P2_RA M_RD Y_EIN T1	IM_DS P1_RA M_RD Y_EIN T1	IM_DS P_IRQ 8_EIN T1	IM_DS P_IRQ 7_EIN T1	IM_DS P_IRQ 6_EIN T1	IM_DS P_IRQ 5_EIN T1	IM_DS P_IRQ 4_EIN T1	IM_DS P_IRQ 3_EIN T1	IM_DS P_IRQ 2_EIN T1	IM_DS P_IRQ 1_EIN T1	0FFh
R3338 (D0Ah)	Interrupt Status 3 Mask	IM_SP K_OV ERHE AT_W ARN_ EINT1	IM_SP K_OV ERHE AT_EI NT1	IM_HP DET_E INT1	IM_MI CDET _EINT 1	IM_W SEQ_ DONE _EINT 1	IM_DR C2_SI G_DE T_EIN T1	IM_DR C1_SI G_DE T_EIN T1	IM_AS RC2_L OCK_ EINT1	IM_AS RC1_L OCK_ EINT1	IM_UN DERC LOCK ED_EI NT1	IM_OV ERCL OCKE D_EIN T1	0	IM_FL L2_LO CK_EI NT1	IM_FL L1_LO CK_EI NT1	IM_CL KGEN _ERR_ EINT1	IM_CL KGEN _ERR_ ASYN C_EIN T1	FFEFh
R3339 (D0Bh)	Interrupt Status 4 Mask	1	1	1	IM_CT RLIF_ ERR_ EINT1	IM_MI XER_ DROP PED_ SAMP LE_EI NT1	IM_AS YNC_ CLK_E NA_L OW_EI NT1	IM_SY SCLK_ ENA_L OW_EI NT1	IM_JS RC1_ CFG_ ERR_ EINT1	IM_IS RC2_ CFG_ ERR_ EINT1	IM_IS RC3_ CFG_ ERR_ EINT1	IM_HP 3R_D 3L_DO ONE_ EINT1	IM_HP 3L_DO NE_EI NT1	IM_HP 2R_D ONE_ EINT1	IM_HP 2L_DO NE_EI NT1	IM_HP 1R_D ONE_ EINT1	IM_HP 1L_DO NE_EI NT1	FFFFh
R3340 (D0Ch)	Interrupt Status 5 Mask	1	1	1	1	1	1	1	IM_BO OT_D ONE_ EINT1	0	0	IM_AD C_OV ERFL OW_EI NT1	IM_AD C_FIF O_OU _EINT 1	IM_AS RC_C FG_E RR_EI NT1	0	IM_FL L2_CL OCK_ OK_EI NT1	IM_FL L1_CL OCK_ OK_EI NT1	FE3Bh
R3341 (D0Dh)	Interrupt Status 6 Mask	IM_DS P_SH ARED _WR_ COLL_ EINT1	IM_SP K_SH UTDO WN_EI NT1	IM_SP KOUT R_SH ORT_ EINT1	IM_SP KOUT L_SH ORT_ EINT1	IM_HP 3R_SC _NEG _EINT 1	IM_HP 3R_SC _POS _EINT 1	IM_HP 3L_SC _NEG _EINT 1	IM_HP 3L_SC _POS _EINT 1	IM_HP 2R_SC _NEG _EINT 1	IM_HP 2R_SC _POS _EINT 1	IM_HP 2L_SC _NEG _EINT 1	IM_HP 2L_SC _POS _EINT 1	IM_HP 1R_SC _NEG _EINT 1	IM_HP 1R_SC _POS _EINT 1	IM_HP 1L_SC _NEG _EINT 1	IM_HP 1L_SC _POS _EINT 1	FFFFh
R3343 (D0Fh)	Interrupt Control	0	0	0	0	0	0	0	0	0	0	0	0	0	0	0	IM_IR Q1	0000h
R3344 (D10h)	IRQ2 Status 1	0	0	0	0	0	0	0	0	0	0	0	0	GP4_E INT2	GP3_E INT2	GP2_E INT2	GP1_E INT2	0000h
R3345 (D11h)	IRQ2 Status 2	0	0	0	0	DSP4_ RAM_ RDY_ EINT2	DSP3_ RAM_ RDY_ EINT2	DSP2_ RAM_ RDY_ EINT2	DSP1_ RAM_ RDY_ EINT2	DSP_I RQ8_ RDY_ EINT2	DSP_I RQ7_ RDY_ EINT2	DSP_I RQ6_ RDY_ EINT2	DSP_I RQ5_ RDY_ EINT2	DSP_I RQ4_ RDY_ EINT2	DSP_I RQ3_ RDY_ EINT2	DSP_I RQ2_ RDY_ EINT2	DSP_I RQ1_ RDY_ EINT2	0000h
R3346 (D12h)	IRQ2 Status 3	SPK_ OVER HEAT_ WARN_ _EINT 2	SPK_ OVER HEAT_ EINT2	HPDE T_EIN T2	MICDE T_EIN T2	WSEQ_ _DON E_EIN T2	DRC2_ _SIG_ DET_E INT2	DRC1_ _SIG_ DET_E INT2	ASRC 2_LOC K_EIN T2	ASRC 1_LOC K_EIN T2	UNDE RCKE D_ EINT 2	OVER CLOC KED_ EINT 2	0	FLL2_ LOCK _EINT 2	FLL1_ LOCK _EINT 2	CLKG EN_E RR_EI NT2	CLKG EN_E RR_A SYNC _EINT 2	0000h
R3347 (D13h)	IRQ2 Status 4	0	0	0	CTRLI F_ER R_EIN T2	MIXER _DRO PPED _SAM PLE_E INT2	ASYN C_CLK _ENA_ LOW_ EINT2	SYSC LK_EN A_LO W_EIN T2	ISRC1 _CFG_ ERR_ EINT2	ISRC2 _CFG_ ERR_ EINT2	ISRC3 _CFG_ ERR_ EINT2	HP3R DONE _EINT 2	HP3L DONE _EINT 2	HP2R DONE _EINT 2	HP2L DONE _EINT 2	HP1R DONE _EINT 2	HP1L DONE _EINT 2	0000h
R3348 (D14h)	IRQ2 Status 5	0	0	0	0	0	0	0	BOOT _DON E_EIN T2	0	0	ADC_ OVER FLOW _EINT 2	ADC_ FIFO_ OU_EI NT2	ASRC _CFG_ ERR_ EINT2	0	FLL2_ CLOC K_OK_ EINT2	FLL1_ CLOC K_OK_ EINT2	0000h
R3349 (D15h)	IRQ2 Status 6	DSP_ SHAR ED_W R_CO LL_EI NT2	SPK_S HUTD OWN_ EINT2	SPKO UTR_ SHOR T_EIN T2	SPKO UTL_S HORT _EINT 2	HP3R SC_N EG_EI NT2	HP3R SC_P OS_EI NT2	HP3L SC_N EG_EI NT2	HP3L SC_P OS_EI NT2	HP2R SC_N EG_EI NT2	HP2R SC_P OS_EI NT2	HP2L SC_N EG_EI NT2	HP2L SC_P OS_EI NT2	HP1R SC_N EG_EI NT2	HP1R SC_P OS_EI NT2	HP1L SC_N EG_EI NT2	HP1L SC_P OS_EI NT2	0000h

REG	NAME	15	14	13	12	11	10	9	8	7	6	5	4	3	2	1	0	DEFAULT
R3352 (D18h)	IRQ2 Status 1 Mask	0	0	0	0	0	0	0	0	0	0	0	0	IM_GP 4_EIN T2	IM_GP 3_EIN T2	IM_GP 2_EIN T2	IM_GP 1_EIN T2	000Fh
R3353 (D19h)	IRQ2 Status 2 Mask	0	0	0	0	IM_DS P4_RA M_RD Y_EIN T2	IM_DS P3_RA M_RD Y_EIN T2	IM_DS P2_RA M_RD Y_EIN T2	IM_DS P1_RA M_RD Y_EIN T2	IM_DS P_IRQ 8_EIN T2	IM_DS P_IRQ 7_EIN T2	IM_DS P_IRQ 6_EIN T2	IM_DS P_IRQ 5_EIN T2	IM_DS P_IRQ 4_EIN T2	IM_DS P_IRQ 3_EIN T2	IM_DS P_IRQ 2_EIN T2	IM_DS P_IRQ 1_EIN T2	0FFFh
R3354 (D1Ah)	IRQ2 Status 3 Mask	IM_SP K_OV ERHE AT_W ARN_ EINT2	IM_SP K_OV ERHE AT_EI NT2	IM_HP DET_E INT2	IM_MI CDET _EINT 2	IM_W SEQ_ DONE _EINT 2	IM_DR C2_SI G_DE T_EIN T2	IM_DR C1_SI G_DE T_EIN T2	IM_AS RC2_L OCK_ EINT2	IM_AS RC1_L OCK_ EINT2	IM_UN DERC LOCK ED_EI NT2	IM_OV ERCL OCKE D_EIN T2	0	IM_FL L2_LO CK_EI NT2	IM_FL L1_LO CK_EI NT2	IM_CL KGEN _ERR_ EINT2	IM_CL KGEN _ERR_ ASYN C_EIN T2	FFEFh
R3355 (D1Bh)	IRQ2 Status 4 Mask	1	1	1	IM_CT RLIF_ ERR_ EINT2	IM_MI XER_ DRO PED_ SAMP LE_EI NT2	IM_AS YNC_ CLK_E NA_L OW_EI NT2	IM_SY SCLK_ ENA_L OW_EI NT2	IM_IS RC1_ CFG_ ERR_ EINT2	IM_IS RC2_ CFG_ ERR_ EINT2	IM_IS RC3_ CFG_ ERR_ EINT2	IM_HP 3R_D ONE_ EINT	IM_HP 3L_DO NE_EI NT2	IM_HP 2R_D ONE_ EINT2	IM_HP 2L_DO NE_EI NT2	IM_HP 1R_D ONE_ EINT2	IM_HP 1L_DO NE_EI NT2	FFFFh
R3356 (D1Ch)	IRQ2 Status 5 Mask	1	1	1	1	1	1	1	IM_BO OT_D ONE_ EINT2	0	0	IM_AD C_OV ERFL OW_EI NT2	IM_AD C_FIF O_OU _EINT 2	IM_AS RC_C FG_E RR_EI NT2	0	IM_FL L2_CL OCK_ OK_EI NT2	IM_FL L1_CL OCK_ OK_EI NT2	FE3Bh
R3357 (D1Dh)	IRQ2 Status 6 Mask	IM_DS P_SH ARED _WR_ COLL_ EINT2	IM_SP K_SH UTDO WN_EI NT2	IM_SP KOUT R_SH ORT_ EINT2	IM_SP KOUT L_SH ORT_ EINT2	IM_HP 3R_SC _NEG _EINT 2	IM_HP 3R_SC _POS _EINT 2	IM_HP 3L_SC _NEG _EINT 2	IM_HP 3L_SC _POS _EINT 2	IM_HP 2R_SC _NEG _EINT 2	IM_HP 2R_SC _POS _EINT 2	IM_HP 2L_SC _NEG _EINT 2	IM_HP 2L_SC _POS _EINT 2	IM_HP 1R_SC _NEG _EINT 2	IM_HP 1R_SC _POS _EINT 2	IM_HP 1L_SC _NEG _EINT 2	IM_HP 1L_SC _POS _EINT 2	FFFFh
R3359 (D1Fh)	IRQ2 Control	0	0	0	0	0	0	0	0	0	0	0	0	0	0	0	IM_IR Q2	0000h
R3360 (D20h)	Interrupt Raw Status 1	0	0	0	0	DSP4 RAM_ RDY_ STS	DSP3 RAM_ RDY_ STS	DSP2 RAM_ RDY_ STS	DSP1 RAM_ RDY_ STS	DSP_I RQ8_ STS	DSP_I RQ7_ STS	DSP_I RQ6_ STS	DSP_I RQ5_ STS	DSP_I RQ4_ STS	DSP_I RQ3_ STS	DSP_I RQ2_ STS	DSP_I RQ1_ STS	0000h
R3361 (D21h)	Interrupt Raw Status 2	SPK_ OVER HEAT_ WARN_ STS	SPK_ OVER HEAT_ STS	0	0	WSEQ _DON E_STS	DRC2 _SIG_ DET_S TS	DRC1 _SIG_ DET_S TS	ASRC 2_LOC K_STS	ASRC 1_LOC K_STS	UNDE RCLO CKED_ STS	OVER CLOC KED_ STS	0	FLL2_ LOCK _STS	FLL1_ LOCK _STS	CLKG EN_E RR_S TS	CLKG EN_E RR_A SYNC _STS	0000h
R3362 (D22h)	Interrupt Raw Status 3	ASRC _CFG_ ERR_ STS	AIF3_ ERR_ STS	AIF2_ ERR_ STS	AIF1_ ERR_ STS	CTRLI F_ER R_STS	MIXER _DRO PPED _SAM PLE_S TS	ASYN C_CLK _ENA_ LOW_ STS	SYSC LK_EN A_LO W_ST S	ISRC1 _CFG_ ERR_ STS	ISRC2 _CFG_ ERR_ STS	HP3R_ DONE _STS	HP3L_ DONE _STS	HP2R_ DONE _STS	HP2L_ DONE _STS	HP1R_ DONE _STS	HP1L_ DONE _STS	0000h
R3363 (D23h)	Interrupt Raw Status 4	0	0	0	0	0	0	0	BOOT _DON E_STS	0	0	ADC_ OVER FLOW_ _STS	ADC_ FIFO_ OU_S TS	ADC_ CIC_O VERFL OW_S TS	0	FLL2_ CLOC K_OK_ STS	FLL1_ CLOC K_OK_ STS	0000h
R3364 (D24h)	Interrupt Raw Status 5	0	0	PWM_ OVER CLOC KED_ STS	FX_C ORE_ OVER CLOC KED_ STS	0	DAC_ SYS_ OVER CLOC KED_ STS	DAC_ WARP _OVE RCLO CKED_ STS	ADC_ OVER CLOC KED_ STS	MIXER _OVE RCLO CKED_ STS	AIF3_ ASYN C_OV ERCL OCKE D_STS	AIF2_ ASYN C_OV ERCL OCKE D_STS	AIF1_ ASYN C_OV ERCL OCKE D_STS	AIF3_ SYNC _OVE RCLO CKED_ STS	AIF2_ SYNC _OVE RCLO CKED_ STS	AIF1_ SYNC _OVE RCLO CKED_ STS	PAD_ CTRL_ OVER CLOC KED_ STS	0000h

REG	NAME	15	14	13	12	11	10	9	8	7	6	5	4	3	2	1	0	DEFAULT	
R3365 (D25h)	Interrupt Raw Status 6	SLIMB_US_S USBSY_S_OV ERCL_OCKE D_STS	SLIMB_US_A SYNC_OVE RCLO_CKED _STS	SLIMB_US_S YNC_OVE CLOC_CKED _STS	ASRC_ASY _ASY_NC_S YS_OVER VERC_LOCK ED_STS	ASRC_ASY _ASY_NC_W ARP_OVE CLOC_CKED _STS	ASRC_ASY _SYN_C_SY C_WA_S_OV RP_OVE ERCL_CKED _STS	ASRC_ASY _SYN_C_WA S_OV_RP_O VERC_LOCK ED_STS	DSP4_OVE CLOC_CKED _STS	DSP3_OVE CLOC_CKED _STS	0	DSP2_OVE CLOC_CKED _STS	0	DSP1_OVE CLOC_CKED _STS	ISRC3_OVE RCLO_CKED _STS	ISRC2_OVE RCLO_CKED _STS	ISRC1_OVE RCLO_CKED _STS	0000h	
R3366 (D26h)	Interrupt Raw Status 7	0	0	0	0	0	AIF3_UNDE R_CLO_CKED _STS	AIF2_UNDE R_CLO_CKED _STS	AIF1_UNDE R_CLO_CKED _STS	ISRC3_UNDE R_CLO_CKED _STS	ISRC2_UNDE R_CLO_CKED _STS	ISRC1_UNDE R_CLO_CKED _STS	FX_UNDE R_CLO_CKED _STS	ASRC_UNDE R_CLO_CKED _STS	DAC_UNDE R_CLO_CKED _STS	ADC_UNDE R_CLO_CKED _STS	MIXER_UNDE R_CLO_CKED _STS	0000h	
R3368 (D28h)	Interrupt Raw Status 8	0	SPK_S HUDT_OWN _STS	SPKO_UTR_ SHOR_T_STS	SPKO_UTL_ HORT_T_STS	HP3R_SC_N EG_S_TS	HP3R_SC_P OS_S_TS	HP3L_SC_N EG_S_TS	HP3L_SC_P OS_S_TS	HP2R_SC_N EG_S_TS	HP2R_SC_P OS_S_TS	HP2L_SC_N EG_S_TS	HP2L_SC_P OS_S_TS	HP1R_SC_N EG_S_TS	HP1R_SC_P OS_S_TS	HP1L_SC_N EG_S_TS	HP1L_SC_P OS_S_TS	0000h	
R3392 (D40h)	IRQ Pin Status	0	0	0	0	0	0	0	0	0	0	0	0	0	0	0	IRQ2_ STS	IRQ1_ STS	0000h
R3393 (D41h)	ADSP2 IRQ0	0	0	0	0	0	0	0	0	0	0	0	0	0	0	0	DSP_I RQ2	DSP_I RQ1	0000h
R3394 (D42h)	ADSP2 IRQ1	0	0	0	0	0	0	0	0	0	0	0	0	0	0	0	DSP_I RQ4	DSP_I RQ3	0000h
R3395 (D43h)	ADSP2 IRQ2	0	0	0	0	0	0	0	0	0	0	0	0	0	0	0	DSP_I RQ6	DSP_I RQ5	0000h
R3396 (D44h)	ADSP2 IRQ3	0	0	0	0	0	0	0	0	0	0	0	0	0	0	0	DSP_I RQ8	DSP_I RQ7	0000h
R3408 (D50h)	AOD wkup and trig	0	0	0	0	0	0	0	0	MICD_ CLAMP_ FALL_ L_TRI_ G_STS	MICD_ CLAMP_ P_RIS_ E_TRI_ G_STS	GP5_F ALL_T RIS_ TRIG_ STS	GP5_ RISE_ TRIG_ STS	JD1_F ALL_T RIS_ STS	JD1_R ISE_ RIS_ STS	0	0	0000h	
R3409 (D51h)	AOD IRQ1	0	0	0	0	0	0	0	0	MICD_ CLAMP_ FALL_ L_EIN T1	MICD_ CLAMP_ P_RIS_ E_EIN T1	GP5_F ALL_E INT1	GP5_ RISE_ EINT1	JD1_F ALL_E INT1	JD1_R ISE_EI NT1	0	0	0000h	
R3410 (D52h)	AOD IRQ2	0	0	0	0	0	0	0	0	MICD_ CLAMP_ FALL_ L_EIN T2	MICD_ CLAMP_ P_RIS_ E_EIN T2	GP5_F ALL_E INT2	GP5_ RISE_ EINT2	JD1_F ALL_E INT2	JD1_R ISE_EI NT2	0	0	0000h	
R3411 (D53h)	AOD IRQ Mask IRQ1	0	0	0	0	0	0	0	0	IM_MI CD_C LAMP_ FALL_ _EINT 1	IM_MI CD_C LAMP_ RISE_ _EINT 1	IM_GP 5_FAL L_EIN T1	IM_GP 5_RIS E_EIN T1	IM_JD 1_FAL L_EIN T1	IM_JD 1_RIS E_EIN T1	0	0	00FCh	
R3412 (D54h)	AOD IRQ Mask IRQ2	0	0	0	0	0	0	0	0	IM_MI CD_C LAMP_ FALL_ _EINT 2	IM_MI CD_C LAMP_ RISE_ _EINT 2	IM_GP 5_FAL L_EIN T2	IM_GP 5_RIS E_EIN T2	IM_JD 1_FAL L_EIN T2	IM_JD 1_RIS E_EIN T2	0	0	00FCh	
R3413 (D55h)	AOD IRQ Raw Status	0	0	0	0	0	0	0	0	0	0	0	0	MICD_ CLAMP_ P_STS	GP5_S TS	0	JD1_S TS	0000h	
R3414 (D56h)	Jack detect debounce	0	0	0	0	0	0	0	0	0	0	0	0	MICD_ CLAMP_ P_DB	0	0	JD1_D B	0000h	



REG	NAME	15	14	13	12	11	10	9	8	7	6	5	4	3	2	1	0	DEFAULT
R3584 (E00h)	FX_Ctrl1	0	FX_RATE [3:0]			0	0	0	0	0	0	0	0	0	0	0	0	0000h
R3585 (E01h)	FX_Ctrl2	FX_STS [11:0]											0	0	0	0		
R3600 (E10h)	EQ1_1	EQ1_B1_GAIN [4:0]				EQ1_B2_GAIN [4:0]				EQ1_B3_GAIN [4:0]				EQ1_E NA	6318h			
R3601 (E11h)	EQ1_2	EQ1_B4_GAIN [4:0]				EQ1_B5_GAIN [4:0]				0	0	0	0	0	EQ1_ MODE	6300h		
R3602 (E12h)	EQ1_3	EQ1_B1_A [15:0]															0FC8h	
R3603 (E13h)	EQ1_4	EQ1_B1_B [15:0]															03FEh	
R3604 (E14h)	EQ1_5	EQ1_B1_PG [15:0]															00E0h	
R3605 (E15h)	EQ1_6	EQ1_B2_A [15:0]															1EC4h	
R3606 (E16h)	EQ1_7	EQ1_B2_B [15:0]															F136h	
R3607 (E17h)	EQ1_8	EQ1_B2_C [15:0]															0409h	
R3608 (E18h)	EQ1_9	EQ1_B2_PG [15:0]															04CCh	
R3609 (E19h)	EQ1_10	EQ1_B3_A [15:0]															1C9Bh	
R3610 (E1Ah)	EQ1_11	EQ1_B3_B [15:0]															F337h	
R3611 (E1Bh)	EQ1_12	EQ1_B3_C [15:0]															040Bh	
R3612 (E1Ch)	EQ1_13	EQ1_B3_PG [15:0]															0CBBh	
R3613 (E1Dh)	EQ1_14	EQ1_B4_A [15:0]															16F8h	
R3614 (E1Eh)	EQ1_15	EQ1_B4_B [15:0]															F7D9h	
R3615 (E1Fh)	EQ1_16	EQ1_B4_C [15:0]															040Ah	
R3616 (E20h)	EQ1_17	EQ1_B4_PG [15:0]															1F14h	
R3617 (E21h)	EQ1_18	EQ1_B5_A [15:0]															058Ch	
R3618 (E22h)	EQ1_19	EQ1_B5_B [15:0]															0563h	
R3619 (E23h)	EQ1_20	EQ1_B5_PG [15:0]															4000h	
R3620 (E24h)	EQ1_21	EQ1_B1_C [15:0]															0B75h	
R3622 (E26h)	EQ2_1	EQ2_B1_GAIN [4:0]				EQ2_B2_GAIN [4:0]				EQ2_B3_GAIN [4:0]				EQ2_E NA	6318h			
R3623 (E27h)	EQ2_2	EQ2_B4_GAIN [4:0]				EQ2_B5_GAIN [4:0]				0	0	0	0	0	EQ2_ MODE	6300h		
R3624 (E28h)	EQ2_3	EQ2_B1_A [15:0]															0FC8h	
R3625 (E29h)	EQ2_4	EQ2_B1_B [15:0]															03FEh	
R3626 (E2Ah)	EQ2_5	EQ2_B1_PG [15:0]															00E0h	
R3627 (E2Bh)	EQ2_6	EQ2_B2_A [15:0]															1EC4h	
R3628 (E2Ch)	EQ2_7	EQ2_B2_B [15:0]															F136h	
R3629 (E2Dh)	EQ2_8	EQ2_B2_C [15:0]															0409h	
R3630 (E2Eh)	EQ2_9	EQ2_B2_PG [15:0]															04CCh	
R3631 (E2Fh)	EQ2_10	EQ2_B3_A [15:0]															1C9Bh	
R3632 (E30h)	EQ2_11	EQ2_B3_B [15:0]															F337h	
R3633 (E31h)	EQ2_12	EQ2_B3_C [15:0]															040Bh	
R3634 (E32h)	EQ2_13	EQ2_B3_PG [15:0]															0CBBh	
R3635 (E33h)	EQ2_14	EQ2_B4_A [15:0]															16F8h	
R3636 (E34h)	EQ2_15	EQ2_B4_B [15:0]															F7D9h	

REG	NAME	15	14	13	12	11	10	9	8	7	6	5	4	3	2	1	0	DEFAULT
R3637 (E35h)	EQ2_16	EQ2_B4_C [15:0]																040Ah
R3638 (E36h)	EQ2_17	EQ2_B4_PG [15:0]																1F14h
R3639 (E37h)	EQ2_18	EQ2_B5_A [15:0]																058Ch
R3640 (E38h)	EQ2_19	EQ2_B5_B [15:0]																0563h
R3641 (E39h)	EQ2_20	EQ2_B5_PG [15:0]																4000h
R3642 (E3Ah)	EQ2_21	EQ2_B1_C [15:0]																0B75h
R3644 (E3Ch)	EQ3_1	EQ3_B1_GAIN [4:0]				EQ3_B2_GAIN [4:0]				EQ3_B3_GAIN [4:0]				EQ3_E NA	6318h			
R3645 (E3Dh)	EQ3_2	EQ3_B4_GAIN [4:0]				EQ3_B5_GAIN [4:0]				0	0	0	0	0	EQ3_ MODE	6300h		
R3646 (E3Eh)	EQ3_3	EQ3_B1_A [15:0]																0FC8h
R3647 (E3Fh)	EQ3_4	EQ3_B1_B [15:0]																03FEh
R3648 (E40h)	EQ3_5	EQ3_B1_PG [15:0]																00E0h
R3649 (E41h)	EQ3_6	EQ3_B2_A [15:0]																1EC4h
R3650 (E42h)	EQ3_7	EQ3_B2_B [15:0]																F136h
R3651 (E43h)	EQ3_8	EQ3_B2_C [15:0]																0409h
R3652 (E44h)	EQ3_9	EQ3_B2_PG [15:0]																04CCh
R3653 (E45h)	EQ3_10	EQ3_B3_A [15:0]																1C9Bh
R3654 (E46h)	EQ3_11	EQ3_B3_B [15:0]																F337h
R3655 (E47h)	EQ3_12	EQ3_B3_C [15:0]																040Bh
R3656 (E48h)	EQ3_13	EQ3_B3_PG [15:0]																0CBBh
R3657 (E49h)	EQ3_14	EQ3_B4_A [15:0]																16F8h
R3658 (E4Ah)	EQ3_15	EQ3_B4_B [15:0]																F7D9h
R3659 (E4Bh)	EQ3_16	EQ3_B4_C [15:0]																040Ah
R3660 (E4Ch)	EQ3_17	EQ3_B4_PG [15:0]																1F14h
R3661 (E4Dh)	EQ3_18	EQ3_B5_A [15:0]																058Ch
R3662 (E4Eh)	EQ3_19	EQ3_B5_B [15:0]																0563h
R3663 (E4Fh)	EQ3_20	EQ3_B5_PG [15:0]																4000h
R3664 (E50h)	EQ3_21	EQ3_B1_C [15:0]																0B75h
R3666 (E52h)	EQ4_1	EQ4_B1_GAIN [4:0]				EQ4_B2_GAIN [4:0]				EQ4_B3_GAIN [4:0]				EQ4_E NA	6318h			
R3667 (E53h)	EQ4_2	EQ4_B4_GAIN [4:0]				EQ4_B5_GAIN [4:0]				0	0	0	0	0	EQ4_ MODE	6300h		
R3668 (E54h)	EQ4_3	EQ4_B1_A [15:0]																0FC8h
R3669 (E55h)	EQ4_4	EQ4_B1_B [15:0]																03FEh
R3670 (E56h)	EQ4_5	EQ4_B1_PG [15:0]																00E0h
R3671 (E57h)	EQ4_6	EQ4_B2_A [15:0]																1EC4h
R3672 (E58h)	EQ4_7	EQ4_B2_B [15:0]																F136h
R3673 (E59h)	EQ4_8	EQ4_B2_C [15:0]																0409h
R3674 (E5Ah)	EQ4_9	EQ4_B2_PG [15:0]																04CCh
R3675 (E5Bh)	EQ4_10	EQ4_B3_A [15:0]																1C9Bh
R3676 (E5Ch)	EQ4_11	EQ4_B3_B [15:0]																F337h

REG	NAME	15	14	13	12	11	10	9	8	7	6	5	4	3	2	1	0	DEFAULT	
R3677 (E5Dh)	EQ4_12	EQ4_B3_C [15:0]																040Bh	
R3678 (E5Eh)	EQ4_13	EQ4_B3_PG [15:0]																0CBBh	
R3679 (E5Fh)	EQ4_14	EQ4_B4_A [15:0]																16F8h	
R3680 (E60h)	EQ4_15	EQ4_B4_B [15:0]																F7D9h	
R3681 (E61h)	EQ4_16	EQ4_B4_C [15:0]																040Ah	
R3682 (E62h)	EQ4_17	EQ4_B4_PG [15:0]																1F14h	
R3683 (E63h)	EQ4_18	EQ4_B5_A [15:0]																058Ch	
R3684 (E64h)	EQ4_19	EQ4_B5_B [15:0]																0563h	
R3685 (E65h)	EQ4_20	EQ4_B5_PG [15:0]																4000h	
R3686 (E66h)	EQ4_21	EQ4_B1_C [15:0]																0B75h	
R3712 (E80h)	DRC1 ctrl1	DRC1_SIG_DET_RMS [4:0]				DRC1_SIG_DET_PK [1:0]		DRC1_SIG_ENA	DRC1_SIG_DET_MODE	DRC1_SIG_DET_E2_OP_ENA	DRC1_QR	DRC1_ANTI_CLIP	DRC1_WSE_Q_SIG_DET_ENA	DRC1_L_ENA	DRC1_R_ENA				0018h
R3713 (E81h)	DRC1 ctrl2	0	0	0	DRC1_ATK [3:0]			DRC1_DCY [3:0]			DRC1_MINGAIN [2:0]		DRC1_MAXGAIN [1:0]					0933h	
R3714 (E82h)	DRC1 ctrl3	DRC1_NG_MINGAIN [3:0]				DRC1_NG_EX_P [1:0]		DRC1_QR_THR [1:0]		DRC1_QR_DCY [1:0]		DRC1_HI_COMP [2:0]		DRC1_LO_COMP [2:0]					0018h
R3715 (E83h)	DRC1 ctrl4	0	0	0	0	0	DRC1_KNEE_IP [5:0]					DRC1_KNEE_OP [4:0]							0000h
R3716 (E84h)	DRC1 ctrl5	0	0	0	0	0	DRC1_KNEE2_IP [4:0]					DRC1_KNEE2_OP [4:0]							0000h
R3721 (E89h)	DRC2 ctrl1	DRC2_SIG_DET_RMS [4:0]				DRC2_SIG_DET_PK [1:0]		DRC2_SIG_ENA	DRC2_SIG_DET_MODE	DRC2_SIG_DET_E2_OP_ENA	DRC2_QR	DRC2_ANTI_CLIP	0	DRC2_L_ENA	DRC2_R_ENA				0018h
R3722 (E8Ah)	DRC2 ctrl2	0	0	0	DRC2_ATK [3:0]			DRC2_DCY [3:0]			DRC2_MINGAIN [2:0]		DRC2_MAXGAIN [1:0]					0933h	
R3723 (E8Bh)	DRC2 ctrl3	DRC2_NG_MINGAIN [3:0]				DRC2_NG_EX_P [1:0]		DRC2_QR_THR [1:0]		DRC2_QR_DCY [1:0]		DRC2_HI_COMP [2:0]		DRC2_LO_COMP [2:0]					0018h
R3724 (E8Ch)	DRC2 ctrl4	0	0	0	0	0	DRC2_KNEE_IP [5:0]					DRC2_KNEE_OP [4:0]							0000h
R3725 (E8Dh)	DRC2 ctrl5	0	0	0	0	0	DRC2_KNEE2_IP [4:0]					DRC2_KNEE2_OP [4:0]							0000h
R3776 (EC0h)	HPLPF1_1	0	0	0	0	0	0	0	0	0	0	0	0	0	0	LHPF1_MOD_E	LHPF1_ENA	0000h	
R3777 (EC1h)	HPLPF1_2	LHPF1_COEFF [15:0]																0000h	
R3780 (EC4h)	HPLPF2_1	0	0	0	0	0	0	0	0	0	0	0	0	0	0	LHPF2_MOD_E	LHPF2_ENA	0000h	
R3781 (EC5h)	HPLPF2_2	LHPF2_COEFF [15:0]																0000h	
R3784 (EC8h)	HPLPF3_1	0	0	0	0	0	0	0	0	0	0	0	0	0	0	LHPF3_MOD_E	LHPF3_ENA	0000h	
R3785 (EC9h)	HPLPF3_2	LHPF3_COEFF [15:0]																0000h	
R3788 (ECCh)	HPLPF4_1	0	0	0	0	0	0	0	0	0	0	0	0	0	0	LHPF4_MOD_E	LHPF4_ENA	0000h	
R3789 (ECDh)	HPLPF4_2	LHPF4_COEFF [15:0]																0000h	

REG	NAME	15	14	13	12	11	10	9	8	7	6	5	4	3	2	1	0	DEFAULT	
R3808 (EE0h)	ASRC_ENABLE	0	0	0	0	0	0	0	0	0	0	0	0	ASRC_2L_EN_A	ASRC_2R_EN_A	ASRC_1L_EN_A	ASRC_1R_EN_A	0000h	
R3809 (EE1h)	ASRC_STATUS	0	0	0	0	0	0	0	0	0	0	0	0	ASRC_2L_EN_A_STS	ASRC_2R_EN_A_STS	ASRC_1L_EN_A_STS	ASRC_1R_EN_A_STS	0000h	
R3810 (EE2h)	ASRC_RATE1	0	ASRC_RATE1 [3:0]				0	0	0	0	0	0	0	0	0	0	0	0	0000h
R3811 (EE3h)	ASRC_RATE2	0	ASRC_RATE2 [3:0]				0	0	0	0	0	0	0	0	0	0	0	0	4000h
R3824 (EF0h)	ISRC 1 CTRL 1	0	ISRC1_FSH [3:0]				0	0	0	0	0	0	0	0	0	0	0	0	0000h
R3825 (EF1h)	ISRC 1 CTRL 2	0	ISRC1_FSL [3:0]				0	0	0	0	0	0	0	0	0	0	0	0	0000h
R3826 (EF2h)	ISRC 1 CTRL 3	ISRC1_INT1_ENA	ISRC1_INT2_ENA	ISRC1_INT3_ENA	ISRC1_INT4_ENA	0	0	ISRC1_DEC1_ENA	ISRC1_DEC2_ENA	ISRC1_DEC3_ENA	ISRC1_DEC4_ENA	0	0	0	0	0	ISRC1_NOT_CH_ENA	0000h	
R3827 (EF3h)	ISRC 2 CTRL 1	0	ISRC2_FSH [3:0]				0	0	0	0	0	0	0	0	0	0	0	0	0000h
R3828 (EF4h)	ISRC 2 CTRL 2	0	ISRC2_FSL [3:0]				0	0	0	0	0	0	0	0	0	0	0	0	0000h
R3829 (EF5h)	ISRC 2 CTRL 3	ISRC2_INT1_ENA	ISRC2_INT2_ENA	ISRC2_INT3_ENA	ISRC2_INT4_ENA	0	0	ISRC2_DEC1_ENA	ISRC2_DEC2_ENA	ISRC2_DEC3_ENA	ISRC2_DEC4_ENA	0	0	0	0	0	ISRC2_NOT_CH_ENA	0000h	
R3830 (EF6h)	ISRC 3 CTRL 1	0	ISRC3_FSH [3:0]				0	0	0	0	0	0	0	0	0	0	0	0	0000h
R3831 (EF7h)	ISRC 3 CTRL 2	0	ISRC3_FSL [3:0]				0	0	0	0	0	0	0	0	0	0	0	0	0000h
R3832 (EF8h)	ISRC 3 CTRL 3	ISRC3_INT1_ENA	ISRC3_INT2_ENA	ISRC3_INT3_ENA	ISRC3_INT4_ENA	0	0	ISRC3_DEC1_ENA	ISRC3_DEC2_ENA	ISRC3_DEC3_ENA	ISRC3_DEC4_ENA	0	0	0	0	0	ISRC3_NOT_CH_ENA	0000h	
R3841 (F01h)	ANC_SRC	0	0	0	0	0	0	0	0	0	0	0	0	0	IN_RXANCL_SEL [2:0]		0	0000h	
R3863 (F17h)	FCL ADC reformatter control	0	0	0	0	0	0	0	0	0	0	0	0	FCL_MIC_MODE_SEL [1:0]		0	0	0004h	
R4352 (1100h)	DSP1 Control 1	0	DSP1_RATE [3:0]				0	0	0	0	0	0	DSP1_MEM_ENA	DSP1_DBG_CLK_ENA	DSP1_SYS_ENA	DSP1_CORE_ENA	DSP1_STAR_T	0010h	
R4353 (1101h)	DSP1 Clocking 1	0	0	0	0	0	0	0	0	0	0	0	0	DSP1_CLK_SEL [2:0]		0	0	0000h	
R4356 (1104h)	DSP1 Status 1	0	0	0	0	0	0	0	0	0	0	0	0	0	0	0	DSP1_RAM_RDY	0000h	
R4357 (1105h)	DSP1 Status 2	DSP1_PING_FULL	DSP1_PONG_FULL	0	0	0	0	0	0	DSP1_WDMA_ACTIVE_CHANNELS [7:0]							0000h		
R4358 (1106h)	DSP1 Status 3	0	0	0	0	0	0	0	0	0	0	0	0	DSP1_CLK_SEL_STS [2:0]		DSP1_CLK_Avail	0000h		
R4368 (1110h)	DSP1 WDMA Buffer 1	DSP1_START_ADDRESS_WDMA_BUFFER_0 [15:0]																0000h	
R4369 (1111h)	DSP1 WDMA Buffer 2	DSP1_START_ADDRESS_WDMA_BUFFER_1 [15:0]																0000h	
R4370 (1112h)	DSP1 WDMA Buffer 3	DSP1_START_ADDRESS_WDMA_BUFFER_2 [15:0]																0000h	

REG	NAME	15	14	13	12	11	10	9	8	7	6	5	4	3	2	1	0	DEFAULT
R4371 (1113h)	DSP1 WDMA Buffer 4	DSP1_START_ADDRESS_WDMA_BUFFER_3 [15:0]															0000h	
R4372 (1114h)	DSP1 WDMA Buffer 5	DSP1_START_ADDRESS_WDMA_BUFFER_4 [15:0]															0000h	
R4373 (1115h)	DSP1 WDMA Buffer 6	DSP1_START_ADDRESS_WDMA_BUFFER_5 [15:0]															0000h	
R4374 (1116h)	DSP1 WDMA Buffer 7	DSP1_START_ADDRESS_WDMA_BUFFER_6 [15:0]															0000h	
R4375 (1117h)	DSP1 WDMA Buffer 8	DSP1_START_ADDRESS_WDMA_BUFFER_7 [15:0]															0000h	
R4384 (1120h)	DSP1 RDMA Buffer 1	DSP1_START_ADDRESS_RDMA_BUFFER_0 [15:0]															0000h	
R4385 (1121h)	DSP1 RDMA Buffer 2	DSP1_START_ADDRESS_RDMA_BUFFER_1 [15:0]															0000h	
R4386 (1122h)	DSP1 RDMA Buffer 3	DSP1_START_ADDRESS_RDMA_BUFFER_2 [15:0]															0000h	
R4387 (1123h)	DSP1 RDMA Buffer 4	DSP1_START_ADDRESS_RDMA_BUFFER_3 [15:0]															0000h	
R4388 (1124h)	DSP1 RDMA Buffer 5	DSP1_START_ADDRESS_RDMA_BUFFER_4 [15:0]															0000h	
R4389 (1125h)	DSP1 RDMA Buffer 6	DSP1_START_ADDRESS_RDMA_BUFFER_5 [15:0]															0000h	
R4400 (1130h)	DSP1 WDMA Config 1	0	0	DSP1_WDMA_BUFFER_LENGTH [13:0]													0000h	
R4401 (1131h)	DSP1 WDMA Config 2	0	0	0	0	0	0	0	0	DSP1_WDMA_CHANNEL_ENABLE [7:0]							0000h	
R4402 (1132h)	DSP1 WDMA Offset 1	0	0	0	0	0	0	0	0	DSP1_WDMA_CHANNEL_OFFSET [7:0]							0000h	
R4404 (1134h)	DSP1 RDMA Config 1	0	0	0	0	0	0	0	0	0	DSP1_RDMA_CHANNEL_ENABLE [5:0]					0000h		
R4405 (1135h)	DSP1 RDMA Offset 1	0	0	0	0	0	0	0	0	0	DSP1_RDMA_CHANNEL_OFFSET [5:0]					0000h		
R4408 (1138h)	DSP1 External Start Select 1	0	0	0	0	0	0	0	0	0	0	0	DSP1_START_IN_SEL [3:0]			0000h		
R4416 (1140h)	DSP1 Scratch 0	DSP1_SCRATCH_0 [15:0]															0000h	
R4417 (1141h)	DSP1 Scratch 1	DSP1_SCRATCH_1 [15:0]															0000h	
R4418 (1142h)	DSP1 Scratch 2	DSP1_SCRATCH_2 [15:0]															0000h	
R4419 (1143h)	DSP1 Scratch 3	DSP1_SCRATCH_3 [15:0]															0000h	
R4608 (1200h)	DSP2 Control 1	0	DSP2_RATE [3:0]				0	0	0	0	0	0	DSP2_	DSP2_	DSP2_	DSP2_	DSP2_	0010h
												MEM_	DBG_	SYS_E	CORE_	STAR		
												ENA	CLK_E	NA	_ENA	T		
R4609 (1201h)	DSP2 Clocking 1	0	0	0	0	0	0	0	0	0	0	0	0	DSP2_CLK_SEL [2:0]			0000h	
R4612 (1204h)	DSP2 Status 1	0	0	0	0	0	0	0	0	0	0	0	0	0	0	DSP2_		0000h
																RAM_		
																RDY		
R4613 (1205h)	DSP2 Status 2	DSP2_	DSP2_	0	0	0	0	0	0	DSP2_WDMA_ACTIVE_CHANNELS [7:0]							0000h	
		PING_	PONG_															
		FULL	_FULL															
R4614 (1206h)	DSP2 Status 3	0	0	0	0	0	0	0	0	0	0	0	DSP2_CLK_SEL_STS [2:0]		DSP2_		0000h	
															CLK_A			
															VAIL			

REG	NAME	15	14	13	12	11	10	9	8	7	6	5	4	3	2	1	0	DEFAULT
R4624 (1210h)	DSP2 WDMA Buffer 1	DSP2_START_ADDRESS_WDMA_BUFFER_0 [15:0]															0000h	
R4625 (1211h)	DSP2 WDMA Buffer 2	DSP2_START_ADDRESS_WDMA_BUFFER_1 [15:0]															0000h	
R4626 (1212h)	DSP2 WDMA Buffer 3	DSP2_START_ADDRESS_WDMA_BUFFER_2 [15:0]															0000h	
R4627 (1213h)	DSP2 WDMA Buffer 4	DSP2_START_ADDRESS_WDMA_BUFFER_3 [15:0]															0000h	
R4628 (1214h)	DSP2 WDMA Buffer 5	DSP2_START_ADDRESS_WDMA_BUFFER_4 [15:0]															0000h	
R4629 (1215h)	DSP2 WDMA Buffer 6	DSP2_START_ADDRESS_WDMA_BUFFER_5 [15:0]															0000h	
R4630 (1216h)	DSP2 WDMA Buffer 7	DSP2_START_ADDRESS_WDMA_BUFFER_6 [15:0]															0000h	
R4631 (1217h)	DSP2 WDMA Buffer 8	DSP2_START_ADDRESS_WDMA_BUFFER_7 [15:0]															0000h	
R4640 (1220h)	DSP2 RDMA Buffer 1	DSP2_START_ADDRESS_RDMA_BUFFER_0 [15:0]															0000h	
R4641 (1221h)	DSP2 RDMA Buffer 2	DSP2_START_ADDRESS_RDMA_BUFFER_1 [15:0]															0000h	
R4642 (1222h)	DSP2 RDMA Buffer 3	DSP2_START_ADDRESS_RDMA_BUFFER_2 [15:0]															0000h	
R4643 (1223h)	DSP2 RDMA Buffer 4	DSP2_START_ADDRESS_RDMA_BUFFER_3 [15:0]															0000h	
R4644 (1224h)	DSP2 RDMA Buffer 5	DSP2_START_ADDRESS_RDMA_BUFFER_4 [15:0]															0000h	
R4645 (1225h)	DSP2 RDMA Buffer 6	DSP2_START_ADDRESS_RDMA_BUFFER_5 [15:0]															0000h	
R4656 (1230h)	DSP2 WDMA Config 1	0	0	DSP2_WDMA_BUFFER_LENGTH [13:0]													0000h	
R4657 (1231h)	DSP2 WDMA Config 2	0	0	0	0	0	0	0	0	0	DSP2_WDMA_CHANNEL_ENABLE [7:0]					0000h		
R4658 (1232h)	DSP2 WDMA Offset 1	0	0	0	0	0	0	0	0	DSP2_WDMA_CHANNEL_OFFSET [7:0]					0000h			
R4660 (1234h)	DSP2 RDMA Config 1	0	0	0	0	0	0	0	0	0	0	DSP2_RDMA_CHANNEL_ENABLE [5:0]				0000h		
R4661 (1235h)	DSP2 RDMA Offset 1	0	0	0	0	0	0	0	0	0	DSP2_RDMA_CHANNEL_OFFSET [5:0]				0000h			
R4664 (1238h)	DSP2 External Start Select 1	0	0	0	0	0	0	0	0	0	0	0	DSP2_START_IN_SEL [3:0]			0000h		
R4672 (1240h)	DSP2 Scratch 0	DSP2_SCRATCH_0 [15:0]															0000h	
R4673 (1241h)	DSP2 Scratch 1	DSP2_SCRATCH_1 [15:0]															0000h	
R4674 (1242h)	DSP2 Scratch 2	DSP2_SCRATCH_2 [15:0]															0000h	
R4675 (1243h)	DSP2 Scratch 3	DSP2_SCRATCH_3 [15:0]															0000h	
R4864 (1300h)	DSP3 Control 1	0	DSP3_RATE [3:0]				0	0	0	0	0	0	DSP3_	DSP3_	DSP3_	DSP3_	DSP3_	0010h
												MEM_	DBG_	SYS_E	DSP3_	DSP3_		
												ENA	CLK_E	NA	NA	_ENA	STAR	
																	T	
R4865 (1301h)	DSP3 Clocking 1	0	0	0	0	0	0	0	0	0	0	0	0	DSP3_CLK_SEL [2:0]			0000h	
R4868 (1304h)	DSP3 Status 1	0	0	0	0	0	0	0	0	0	0	0	0	0	0	DSP3_		0000h
																	RAM_	
																	RDY	

REG	NAME	15	14	13	12	11	10	9	8	7	6	5	4	3	2	1	0	DEFAULT
R4869 (1305h)	DSP3 Status 2	DSP3_PING_FULL	DSP3_PONG_FULL	0	0	0	0	0	0	DSP3_WDMA_ACTIVE_CHANNELS [7:0]							0000h	
R4870 (1306h)	DSP3 Status 3	0	0	0	0	0	0	0	0	0	0	0	0	DSP3_CLK_SEL_STS [2:0]	DSP3_CLK_A VAIL			0000h
R4871 (1307h)	DSP3 Status 4	DSP3_DUALMEM_COLLISION_ADDR [15:0]																0000h
R4880 (1310h)	DSP3 WDMA Buffer 1	DSP3_START_ADDRESS_WDMA_BUFFER_0 [15:0]																0000h
R4881 (1311h)	DSP3 WDMA Buffer 2	DSP3_START_ADDRESS_WDMA_BUFFER_1 [15:0]																0000h
R4882 (1312h)	DSP3 WDMA Buffer 3	DSP3_START_ADDRESS_WDMA_BUFFER_2 [15:0]																0000h
R4883 (1313h)	DSP3 WDMA Buffer 4	DSP3_START_ADDRESS_WDMA_BUFFER_3 [15:0]																0000h
R4884 (1314h)	DSP3 WDMA Buffer 5	DSP3_START_ADDRESS_WDMA_BUFFER_4 [15:0]																0000h
R4885 (1315h)	DSP3 WDMA Buffer 6	DSP3_START_ADDRESS_WDMA_BUFFER_5 [15:0]																0000h
R4886 (1316h)	DSP3 WDMA Buffer 7	DSP3_START_ADDRESS_WDMA_BUFFER_6 [15:0]																0000h
R4887 (1317h)	DSP3 WDMA Buffer 8	DSP3_START_ADDRESS_WDMA_BUFFER_7 [15:0]																0000h
R4896 (1320h)	DSP3 RDMA Buffer 1	DSP3_START_ADDRESS_RDMA_BUFFER_0 [15:0]																0000h
R4897 (1321h)	DSP3 RDMA Buffer 2	DSP3_START_ADDRESS_RDMA_BUFFER_1 [15:0]																0000h
R4898 (1322h)	DSP3 RDMA Buffer 3	DSP3_START_ADDRESS_RDMA_BUFFER_2 [15:0]																0000h
R4899 (1323h)	DSP3 RDMA Buffer 4	DSP3_START_ADDRESS_RDMA_BUFFER_3 [15:0]																0000h
R4900 (1324h)	DSP3 RDMA Buffer 5	DSP3_START_ADDRESS_RDMA_BUFFER_4 [15:0]																0000h
R4901 (1325h)	DSP3 RDMA Buffer 6	DSP3_START_ADDRESS_RDMA_BUFFER_5 [15:0]																0000h
R4912 (1330h)	DSP3 WDMA Config 1	0	0	DSP3_WDMA_BUFFER_LENGTH [13:0]													0000h	
R4913 (1331h)	DSP3 WDMA Config 2	0	0	0	0	0	0	0	0	DSP3_WDMA_CHANNEL_ENABLE [7:0]							0000h	
R4914 (1332h)	DSP3 WDMA Offset 1	0	0	0	0	0	0	0	0	DSP3_WDMA_CHANNEL_OFFSET [7:0]							0000h	
R4916 (1334h)	DSP3 RDMA Config 1	0	0	0	0	0	0	0	0	0	DSP3_RDMA_CHANNEL_ENABLE [5:0]					0000h		
R4917 (1335h)	DSP3 RDMA Offset 1	0	0	0	0	0	0	0	0	0	DSP3_RDMA_CHANNEL_OFFSET [5:0]					0000h		
R4920 (1338h)	DSP3 External Start Select 1	0	0	0	0	0	0	0	0	0	0	0	DSP3_START_IN_SEL [3:0]			0000h		
R4928 (1340h)	DSP3 Scratch 0	DSP3_SCRATCH_0 [15:0]																0000h
R4929 (1341h)	DSP3 Scratch 1	DSP3_SCRATCH_1 [15:0]																0000h
R4930 (1342h)	DSP3 Scratch 2	DSP3_SCRATCH_2 [15:0]																0000h
R4931 (1343h)	DSP3 Scratch 3	DSP3_SCRATCH_3 [15:0]																0000h

REG	NAME	15	14	13	12	11	10	9	8	7	6	5	4	3	2	1	0	DEFAULT
R5120 (1400h)	DSP4 Control 1	0	DSP4_RATE [3:0]				0	0	0	0	0	0	DSP4_MEM_ENA	DSP4_DBG_CLK_ENA	DSP4_SYS_ENA	DSP4_CORE_ENA	DSP4_START	0010h
R5121 (1401h)	DSP4 Clocking 1	0	0	0	0	0	0	0	0	0	0	0	0	0	DSP4_CLK_SEL [2:0]		0000h	
R5124 (1404h)	DSP4 Status 1	0	0	0	0	0	0	0	0	0	0	0	0	0	0	DSP4_RAM_RDY	0000h	
R5125 (1405h)	DSP4 Status 2	DSP4_PING_FULL	DSP4_PONG_FULL	0	0	0	0	0	0	DSP4_WDMA_ACTIVE_CHANNELS [7:0]							0000h	
R5126 (1406h)	DSP4 Status 3	0	0	0	0	0	0	0	0	0	0	0	DSP4_CLK_SEL_STS [2:0]		DSP4_CLK_AVAIL	0000h		
R5136 (1410h)	DSP4 WDMA Buffer 1	DSP4_START_ADDRESS_WDMA_BUFFER_0 [15:0]															0000h	
R5137 (1411h)	DSP4 WDMA Buffer 2	DSP4_START_ADDRESS_WDMA_BUFFER_1 [15:0]															0000h	
R5138 (1412h)	DSP4 WDMA Buffer 3	DSP4_START_ADDRESS_WDMA_BUFFER_2 [15:0]															0000h	
R5139 (1413h)	DSP4 WDMA Buffer 4	DSP4_START_ADDRESS_WDMA_BUFFER_3 [15:0]															0000h	
R5140 (1414h)	DSP4 WDMA Buffer 5	DSP4_START_ADDRESS_WDMA_BUFFER_4 [15:0]															0000h	
R5141 (1415h)	DSP4 WDMA Buffer 6	DSP4_START_ADDRESS_WDMA_BUFFER_5 [15:0]															0000h	
R5142 (1416h)	DSP4 WDMA Buffer 7	DSP4_START_ADDRESS_WDMA_BUFFER_6 [15:0]															0000h	
R5143 (1417h)	DSP4 WDMA Buffer 8	DSP4_START_ADDRESS_WDMA_BUFFER_7 [15:0]															0000h	
R5152 (1420h)	DSP4 RDMA Buffer 1	DSP4_START_ADDRESS_RDMA_BUFFER_0 [15:0]															0000h	
R5153 (1421h)	DSP4 RDMA Buffer 2	DSP4_START_ADDRESS_RDMA_BUFFER_1 [15:0]															0000h	
R5154 (1422h)	DSP4 RDMA Buffer 3	DSP4_START_ADDRESS_RDMA_BUFFER_2 [15:0]															0000h	
R5155 (1423h)	DSP4 RDMA Buffer 4	DSP4_START_ADDRESS_RDMA_BUFFER_3 [15:0]															0000h	
R5156 (1424h)	DSP4 RDMA Buffer 5	DSP4_START_ADDRESS_RDMA_BUFFER_4 [15:0]															0000h	
R5157 (1425h)	DSP4 RDMA Buffer 6	DSP4_START_ADDRESS_RDMA_BUFFER_5 [15:0]															0000h	
R5168 (1430h)	DSP4 WDMA Config 1	0	0	DSP4_WDMA_BUFFER_LENGTH [13:0]											0000h			
R5169 (1431h)	DSP4 WDMA Config 2	0	0	0	0	0	0	0	0	DSP4_WDMA_CHANNEL_ENABLE [7:0]							0000h	
R5170 (1432h)	DSP4 WDMA Offset 1	0	0	0	0	0	0	0	0	DSP4_WDMA_CHANNEL_OFFSET [7:0]							0000h	
R5172 (1434h)	DSP4 RDMA Config 1	0	0	0	0	0	0	0	0	0	DSP4_RDMA_CHANNEL_ENABLE [5:0]					0000h		
R5173 (1435h)	DSP4 RDMA Offset 1	0	0	0	0	0	0	0	0	0	DSP4_RDMA_CHANNEL_OFFSET [5:0]					0000h		
R5176 (1438h)	DSP4 External Start Select 1	0	0	0	0	0	0	0	0	0	0	DSP4_START_IN_SEL [3:0]			0000h			
R5184 (1440h)	DSP4 Scratch 0	DSP4_SCRATCH_0 [15:0]															0000h	



REG	NAME	15	14	13	12	11	10	9	8	7	6	5	4	3	2	1	0	DEFAULT
R5185 (1441h)	DSP4 Scratch 1	DSP4_SCRATCH_1 [15:0]															0000h	
R5186 (1442h)	DSP4 Scratch 2	DSP4_SCRATCH_2 [15:0]															0000h	
R5187 (1443h)	DSP4 Scratch 3	DSP4_SCRATCH_3 [15:0]															0000h	
Control Write Sequencer Memory																		
R12288 (3000h)	WSEQ Sequence 1	WSEQ_DATA_WIDTH0 [2:0]			WSEQ_ADDR0 [12:0]												0225h	
R12289 (3001h)	WSEQ Sequence 2	WSEQ_DELAY0 [3:0]			WSEQ_DATA_START0 [3:0]			WSEQ_DATA0 [7:0]						0001h				
R12290 (3002h)	WSEQ Sequence 3	WSEQ_DATA_WIDTH1 [2:0]			WSEQ_ADDR1 [12:0]												0000h	
R12291 (3003h)	WSEQ Sequence 4	WSEQ_DELAY1 [3:0]			WSEQ_DATA_START1 [3:0]			WSEQ_DATA1 [7:0]						0003h				
(Similar for WSEQ Index 2...508)																		
R13306 (33FAh)	WSEQ Sequence 1019	WSEQ_DATA_WIDTH509 [2:0]			WSEQ_ADDR509 [12:0]												0000h	
R13307 (33FBh)	WSEQ Sequence 1020	WSEQ_DELAY509 [3:0]			WSEQ_DATA_START509 [3:0]			WSEQ_DATA509 [7:0]						F000h				
DSP1 Firmware Memory																		
R1048576 (10_0000h)	DSP1 PM 0	0	0	0	0	0	0	0	0	DSP1_PM_0 [39:32]						0000h		
R1048577 (10_0001h)	DSP1 PM 1	DSP1_PM_0 [31:16]															0000h	
R1048578 (10_0002h)	DSP1 PM 2	DSP1_PM_0 [15:0]															0000h	
R1048579 (10_0003h)	DSP1 PM 3	0	0	0	0	0	0	0	0	DSP1_PM_1 [39:32]						0000h		
R1048580 (10_0004h)	DSP1 PM 4	DSP1_PM_1 [31:16]															0000h	
R1048581 (10_0005h)	DSP1 PM 5	DSP1_PM_1 [15:0]															0000h	
(Similar for DSP1 Program Memory 2 ... 8190)																		
R1073149 (10_5FFDh)	DSP1 PM 24573	0	0	0	0	0	0	0	0	DSP1_PM_8191 [39:32]						0000h		
R1073150 (10_5FFEh)	DSP1 PM 24574	DSP1_PM_8191 [31:16]															0000h	
R1073151 (10_5FFFh)	DSP1 PM 24575	DSP1_PM_8191 [15:0]															0000h	
R1572864 (18_0000h)	DSP1 ZM 0	0	0	0	0	0	0	0	0	DSP1_ZM_0 [23:16]						0000h		
R1572865 (18_0001h)	DSP1 ZM 1	DSP1_ZM_0 [15:0]															0000h	
R1572866 (18_0002h)	DSP1 ZM 2	0	0	0	0	0	0	0	0	DSP1_ZM_1 [23:16]						0000h		
R1572867 (18_0003h)	DSP1 ZM 3	DSP1_ZM_1 [15:0]															0000h	
(Similar for DSP1 Coefficient Memory 2 ... 4094)																		
R1581054 (18_1FFEh)	DSP1 ZM 8190	0	0	0	0	0	0	0	0	DSP1_ZM_4095 [23:16]						0000h		

REG	NAME	15	14	13	12	11	10	9	8	7	6	5	4	3	2	1	0	DEFAULT
R1581055 (18_1FFFh)	DSP1 ZM 8191	DSP1_ZM_4095 [15:0]																0000h
R1638400 (19_0000h)	DSP1 XM 0	0	0	0	0	0	0	0	0	DSP1_XM_0 [23:16]								0000h
R1638401 (19_0001h)	DSP1 XM 1	DSP1_XM_0 [15:0]																0000h
R1638402 (19_0002h)	DSP1 XM 2	0	0	0	0	0	0	0	0	DSP1_XM_1 [23:16]								0000h
R1638403 (19_0003h)	DSP1 XM 3	DSP1_XM_1 [15:0]																0000h
		<i>(Similar for DSP1 X Data Memory 2 ... 16382)</i>																
R1671166 (19_7FFEh)	DSP1 XM 32766	0	0	0	0	0	0	0	0	DSP1_XM_16383 [23:16]								0000h
R1671167 (19_7FFFh)	DSP1 XM 32767	DSP1_XM_16383 [15:0]																0000h
R1736704 (1A_8000h)	DSP1 YM 0	0	0	0	0	0	0	0	0	DSP1_YM_0 [23:16]								0000h
R1736705 (1A_8001h)	DSP1 YM 1	DSP1_YM_0 [15:0]																0000h
R1736706 (1A_8002h)	DSP1 YM 2	0	0	0	0	0	0	0	0	DSP1_YM_1 [23:16]								0000h
R1736707 (1A_8003h)	DSP1 YM 3	DSP1_YM_1 [15:0]																0000h
		<i>(Similar for DSP1 Y Data Memory 2 ... 4094)</i>																
R1744894 (1A_9FFEh)	DSP1 YM 8190	0	0	0	0	0	0	0	0	DSP1_YM_4095 [23:16]								0000h
R1744895 (1A_9FFFh)	DSP1 YM 8191	DSP1_YM_4095 [15:0]																0000h
<b>DSP2 Firmware Memory</b>																		
R2097152 (20_0000h)	DSP2 PM 0	0	0	0	0	0	0	0	0	DSP2_PM_0 [39:32]								0000h
R2097153 (20_0001h)	DSP2 PM 1	DSP2_PM_0 [31:16]																0000h
R2097154 (20_0002h)	DSP2 PM 2	DSP2_PM_0 [15:0]																0000h
R2097155 (20_0003h)	DSP2 PM 3	0	0	0	0	0	0	0	0	DSP2_PM_1 [39:32]								0000h
R2097156 (20_0004h)	DSP2 PM 4	DSP2_PM_1 [31:16]																0000h
R2097157 (20_0005h)	DSP2 PM 5	DSP2_PM_1 [15:0]																0000h
		<i>(Similar for DSP2 Program Memory 2 ... 20478)</i>																
R2158589 (20_EFFDh)	DSP2 PM 61437	0	0	0	0	0	0	0	0	DSP2_PM_20479 [39:32]								0000h
R2158590 (20_EFFEh)	DSP2 PM 61438	DSP2_PM_20479 [31:16]																0000h
R2158591 (20_EFFFh)	DSP2 PM 61439	DSP2_PM_20479 [15:0]																0000h
R2621440 (28_0000h)	DSP2 ZM 0	0	0	0	0	0	0	0	0	DSP2_ZM_0 [23:16]								0000h

REG	NAME	15	14	13	12	11	10	9	8	7	6	5	4	3	2	1	0	DEFAULT
R2621441 (28_0001h)	DSP2 ZM 1	DSP2_ZM_0 [15:0]																0000h
R2621442 (28_0002h)	DSP2 ZM 2	0	0	0	0	0	0	0	0	DSP2_ZM_1 [23:16]								0000h
R2621443 (28_0003h)	DSP2 ZM 3	DSP2_ZM_1 [15:0]																0000h
		<i>(Similar for DSP2 Coefficient Memory 2 ... 4094)</i>																
R2629630 (28_1FFEh)	DSP2 ZM 8190	0	0	0	0	0	0	0	0	DSP2_ZM_4095 [23:16]								0000h
R2629631 (28_1FFFh)	DSP2 ZM 8191	DSP2_ZM_4095 [15:0]																0000h
R2686976 (29_0000h)	DSP2 XM 0	0	0	0	0	0	0	0	0	DSP2_XM_0 [23:16]								0000h
R2686977 (29_0001h)	DSP2 XM 1	DSP2_XM_0 [15:0]																0000h
R2686978 (29_0002h)	DSP2 XM 2	0	0	0	0	0	0	0	0	DSP2_XM_1 [23:16]								0000h
R2686979 (29_0003h)	DSP2 XM 3	DSP2_XM_1 [15:0]																0000h
		<i>(Similar for DSP2 X Data Memory 2 ... 24574)</i>																
R2736126 (29_BFFEh)	DSP2 XM 49150	0	0	0	0	0	0	0	0	DSP2_XM_24575 [23:16]								0000h
R2736127 (29_BFFFh)	DSP2 XM 49151	DSP2_XM_24575 [15:0]																0000h
R2777088 (2A_6000h)	DSP2 XM EXT 0	0	0	0	0	0	0	0	0	DSP2_XM_EXT_0 [23:16]								0000h
R2777089 (2A_6001h)	DSP2 XM EXT 1	DSP2_XM_EXT_0 [15:0]																0000h
R2777090 (2A_6002h)	DSP2 XM EXT 2	0	0	0	0	0	0	0	0	DSP2_XM_EXT_1 [23:16]								0000h
R2777091 (2A_6003h)	DSP2 XM EXT 3	DSP2_XM_EXT_1 [15:0]																0000h
		<i>(Similar for DSP2 X Data Memory 2 ... 4094)</i>																
R2785278 (2A_7FFEh)	DSP2 XM EXT 8190	0	0	0	0	0	0	0	0	DSP2_XM_EXT_4095 [23:16]								0000h
R2785279 (2A_7FFFh)	DSP2 XM EXT 8191	DSP2_XM_EXT_4095 [15:0]																0000h
R2785280 (2A_8000h)	DSP2 YM 0	0	0	0	0	0	0	0	0	DSP2_YM_0 [23:16]								0000h
R2785281 (2A_8001h)	DSP2 YM 1	DSP2_YM_0 [15:0]																0000h
R2785282 (2A_8002h)	DSP2 YM 2	0	0	0	0	0	0	0	0	DSP2_YM_1 [23:16]								0000h
R2785283 (2A_8003h)	DSP2 YM 3	DSP2_YM_1 [15:0]																0000h
		<i>(Similar for DSP2 Y Data Memory 2 ... 24574)</i>																
R2834430 (2B_3FFEh)	DSP2 YM 49150	0	0	0	0	0	0	0	0	DSP2_YM_24575 [23:16]								0000h
R2834431 (2B_3FFFh)	DSP2 YM 49151	DSP2_YM_24575 [15:0]																0000h
DSP3 Firmware Memory																		

REG	NAME	15	14	13	12	11	10	9	8	7	6	5	4	3	2	1	0	DEFAULT
R3145728 (30_0000h)	DSP3 PM 0	0	0	0	0	0	0	0	0	DSP3_PM_0 [39:32]								0000h
R3145729 (30_0001h)	DSP3 PM 1	DSP3_PM_0 [31:16]																0000h
R3145730 (30_0002h)	DSP3 PM 2	DSP3_PM_0 [15:0]																0000h
R3145731 (30_0003h)	DSP3 PM 3	0	0	0	0	0	0	0	0	DSP3_PM_1 [39:32]								0000h
R3145732 (30_0004h)	DSP3 PM 4	DSP3_PM_1 [31:16]																0000h
R3145733 (30_0005h)	DSP3 PM 5	DSP3_PM_1 [15:0]																0000h
		<i>(Similar for DSP3 Program Memory 2 ... 20478)</i>																
R3207165 (30_EFFDh)	DSP3 PM 61437	0	0	0	0	0	0	0	0	DSP3_PM_20479 [39:32]								0000h
R3207166 (30_EFFEh)	DSP3 PM 61438	DSP3_PM_20479 [31:16]																0000h
R3207167 (30_EFFFh)	DSP3 PM 61439	DSP3_PM_20479 [15:0]																0000h
R3670016 (38_0000h)	DSP3 ZM 0	0	0	0	0	0	0	0	0	DSP3_ZM_0 [23:16]								0000h
R3670017 (38_0001h)	DSP3 ZM 1	DSP3_ZM_0 [15:0]																0000h
R3670018 (38_0002h)	DSP3 ZM 2	0	0	0	0	0	0	0	0	DSP3_ZM_1 [23:16]								0000h
R3670019 (38_0003h)	DSP3 ZM 3	DSP3_ZM_1 [15:0]																0000h
		<i>(Similar for DSP3 Coefficient Memory 2 ... 4094)</i>																
R3678206 (38_1FFEh)	DSP3 ZM 8190	0	0	0	0	0	0	0	0	DSP3_ZM_4095 [23:16]								0000h
R3678207 (38_1FFFh)	DSP3 ZM 8191	DSP3_ZM_4095 [15:0]																0000h
R3735552 (39_0000h)	DSP3 XM 0	0	0	0	0	0	0	0	0	DSP3_XM_0 [23:16]								0000h
R3735553 (39_0001h)	DSP3 XM 1	DSP3_XM_0 [15:0]																0000h
R3735554 (39_0002h)	DSP3 XM 2	0	0	0	0	0	0	0	0	DSP3_XM_1 [23:16]								0000h
R3735555 (39_0003h)	DSP3 XM 3	DSP3_XM_1 [15:0]																0000h
		<i>(Similar for DSP3 X Data Memory 2 ... 36864)</i>																
R3809278 (3A_1FFEh)	DSP3 XM 73726	0	0	0	0	0	0	0	0	DSP3_XM_36865 [23:16]								0000h
R3809279 (3A_1FFFh)	DSP3 XM 73727	DSP3_XM_36865 [15:0]																0000h
R3825664 (3A_6000h)	DSP3 XM EXT 0	0	0	0	0	0	0	0	0	DSP3_XM_EXT_0 [23:16]								0000h
R3825665 (3A_6001h)	DSP3 XM EXT 1	DSP3_XM_EXT_0 [15:0]																0000h
R3825666 (3A_6002h)	DSP3 XM EXT 2	0	0	0	0	0	0	0	0	DSP3_XM_EXT_1 [23:16]								0000h

REG	NAME	15	14	13	12	11	10	9	8	7	6	5	4	3	2	1	0	DEFAULT
R3825667 (3A_6003h)	DSP3 XM EXT 3	DSP3_XM_EXT_1 [15:0]																0000h
		<i>(Similar for DSP3 X Data Memory 2 ... 4094)</i>																
R3833854 (3A_7FFEh)	DSP3 XM EXT 8190	0	0	0	0	0	0	0	0	0	DSP3_XM_EXT_4095 [23:16]						0000h	
R3833855 (3A_7FFFh)	DSP3 XM EXT 8191	DSP3_XM_EXT_4095 [15:0]																0000h
R3833856 (3A_8000h)	DSP3 YM 0	0	0	0	0	0	0	0	0	0	DSP3_YM_0 [23:16]						0000h	
R3833857 (3A_8001h)	DSP3 YM 1	DSP3_YM_0 [15:0]																0000h
R3833858 (3A_8002h)	DSP3 YM 2	0	0	0	0	0	0	0	0	0	DSP3_YM_1 [23:16]						0000h	
R3833859 (3A_8003h)	DSP3 YM 3	DSP3_YM_1 [15:0]																0000h
		<i>(Similar for DSP3 Y Data Memory 2 ... 24574)</i>																
R3883006 (3B_3FFEh)	DSP3 YM 49150	0	0	0	0	0	0	0	0	0	DSP3_YM_24575 [23:16]						0000h	
R3883007 (3B_3FFFh)	DSP3 YM 49151	DSP3_YM_24575 [15:0]																0000h
<b>DSP4 Firmware Memory</b>																		
R4194304 (40_0000h)	DSP4 PM 0	0	0	0	0	0	0	0	0	0	DSP4_PM_0 [39:32]						0000h	
R4194305 (40_0001h)	DSP4 PM 1	DSP4_PM_0 [31:16]																0000h
R4194306 (40_0002h)	DSP4 PM 2	DSP4_PM_0 [15:0]																0000h
R4194307 (40_0003h)	DSP4 PM 3	0	0	0	0	0	0	0	0	0	DSP4_PM_1 [39:32]						0000h	
R4194308 (40_0004h)	DSP4 PM 4	DSP4_PM_1 [31:16]																0000h
R4194309 (40_0005h)	DSP4 PM 5	DSP4_PM_1 [15:0]																0000h
		<i>(Similar for DSP4 Program Memory 2 ... 8190)</i>																
R4218877 (40_5FFDh)	DSP4 PM 24573	0	0	0	0	0	0	0	0	0	DSP4_PM_8191 [39:32]						0000h	
R4218878 (40_5FFEh)	DSP4 PM 24574	DSP4_PM_8191 [31:16]																0000h
R4218879 (40_5FFFh)	DSP4 PM 24575	DSP4_PM_8191 [15:0]																0000h
R4718592 (48_0000h)	DSP4 ZM 0	0	0	0	0	0	0	0	0	0	DSP4_ZM_0 [23:16]						0000h	
R4718593 (48_0001h)	DSP4 ZM 1	DSP4_ZM_0 [15:0]																0000h
R4718594 (48_0002h)	DSP4 ZM 2	0	0	0	0	0	0	0	0	0	DSP4_ZM_1 [23:16]						0000h	
R4718595 (48_0003h)	DSP4 ZM 3	DSP4_ZM_1 [15:0]																0000h
		<i>(Similar for DSP4 Coefficient Memory 2 ... 4094)</i>																

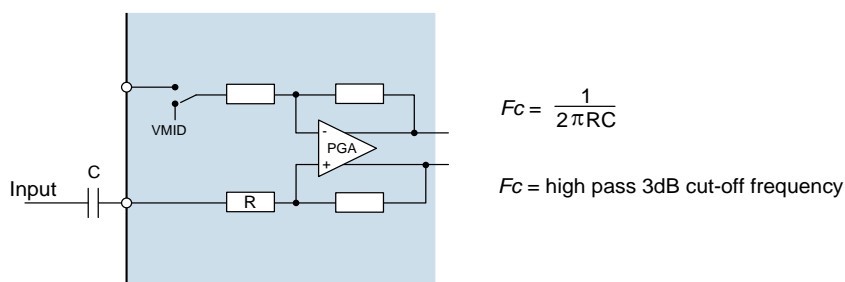
REG	NAME	15	14	13	12	11	10	9	8	7	6	5	4	3	2	1	0	DEFAULT
R4726782 (48_1FFEh)	DSP4 ZM 8190	0	0	0	0	0	0	0	0	DSP4_ZM_4095 [23:16]							0000h	
R4726783 (48_1FFFh)	DSP4 ZM 8191	DSP4_ZM_4095 [15:0]															0000h	
R4784128 (49_0000h)	DSP4 XM 0	0	0	0	0	0	0	0	0	DSP4_XM_0 [23:16]							0000h	
R4784129 (49_0001h)	DSP4 XM 1	DSP4_XM_0 [15:0]															0000h	
R4784130 (49_0002h)	DSP4 XM 2	0	0	0	0	0	0	0	0	DSP4_XM_1 [23:16]							0000h	
R4784131 (49_0003h)	DSP4 XM 3	DSP4_XM_1 [15:0]															0000h	
		<i>(Similar for DSP4 X Data Memory 2 ... 16382)</i>																
R4816894 (49_7FFEh)	DSP4 XM 32766	0	0	0	0	0	0	0	0	DSP4_XM_16383 [23:16]							0000h	
R4816895 (49_7FFFh)	DSP4 XM 32767	DSP4_XM_16383 [15:0]															0000h	
R4882432 (4A_8000h)	DSP4 YM 0	0	0	0	0	0	0	0	0	DSP4_YM_0 [23:16]							0000h	
R4882433 (4A_8001h)	DSP4 YM 1	DSP4_YM_0 [15:0]															0000h	
R4882434 (4A_8002h)	DSP4 YM 2	0	0	0	0	0	0	0	0	DSP4_YM_1 [23:16]							0000h	
R4882435 (4A_8003h)	DSP4 YM 3	DSP4_YM_1 [15:0]															0000h	
		<i>(Similar for DSP4 Y Data Memory 2 ... 4094)</i>																
R4890622 (4A_9FFEh)	DSP4 YM 8190	0	0	0	0	0	0	0	0	DSP4_YM_4095 [23:16]							0000h	
R4890623 (4A_9FFFh)	DSP4 YM 8191	DSP4_YM_4095 [15:0]															0000h	

## APPLICATIONS INFORMATION

### RECOMMENDED EXTERNAL COMPONENTS

#### ANALOGUE INPUT PATHS

The WM8281 provides up to 6 analogue audio input paths. Each of these inputs is referenced to the internal DC reference, VMID. A DC blocking capacitor is required for each analogue input pin used in the target application. The choice of capacitor is determined by the filter that is formed between that capacitor and the impedance of the input pin. The circuit is illustrated in Figure 83.



**Figure 83 Audio Input Path DC Blocking Capacitor**

In accordance with the WM8281 input pin resistance (see “Electrical Characteristics”), it is recommended that a 1µF capacitance for all input connections will give good results in most cases, with a 3dB cut-off frequency around 13Hz.

Ceramic capacitors are suitable, but care must be taken to ensure the desired capacitance is maintained at the AVDD operating voltage. Also, ceramic capacitors may show microphonic effects, where vibrations and mechanical conditions give rise to electrical signals. This is particularly problematic for microphone input paths where a large signal gain is required.

A single capacitor is required for a single-ended line or microphone input connection. For a differential input connection, a DC blocking capacitor is required on both input pins.

The external connections for single-ended and differential microphones, incorporating the WM8281 microphone bias circuit, are shown later in the “Microphone Bias Circuit” section - see Figure 84.

#### DIGITAL MICROPHONE INPUT PATHS

The WM8281 provides up to 8 digital microphone input paths; two channels of audio data can be multiplexed on each of the DMICDATn pins. Each of these stereo pairs is clocked using the respective DMICCLKn pin.

The external connections for digital microphones, incorporating the WM8281 microphone bias circuit, are shown later in the “Microphone Bias Circuit” section - see Figure 86.

Ceramic decoupling capacitors for the digital microphones may be required - refer to the specific recommendations for the application microphone(s).

When two microphones are connected to a single DMICDAT pin, the microphones must be configured to ensure that the Left mic transmits a data bit when DMICCLK is high, and the Right mic transmits a data bit when DMICCLK is low. The WM8281 samples the digital microphone data at the end of each DMICCLK phase. Each microphone must tri-state its data output when the other microphone is transmitting. Integrated pull-down resistors can be enabled on the DMICDAT pins if required.

The voltage reference for each digital microphone interface is selectable. It is important that the selected reference for the WM8281 interface is compatible with the applicable configuration of the external microphone.

## MICROPHONE BIAS CIRCUIT

The WM8281 is designed to interface easily with up to 6 analogue or 8 digital microphones.

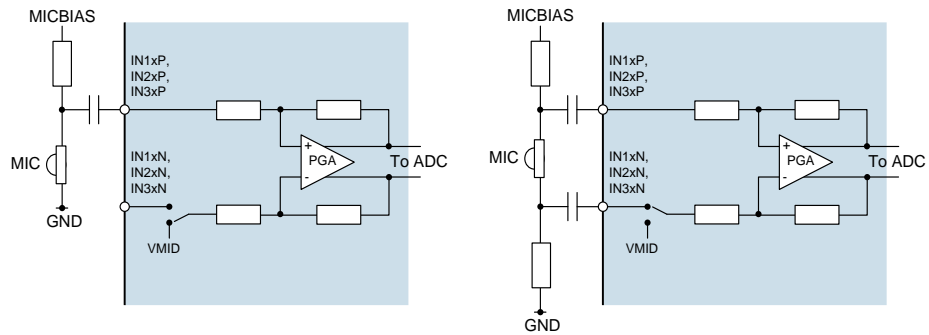
Each microphone requires a bias current (electret condenser microphones) or voltage supply (silicon microphones); these can be provided by the MICBIAS1, MICBIAS2 or MICBIAS3 regulators on the WM8281.

Note that the MICVDD pin can also be used (instead of MICBIASn) as a reference or power supply for external microphones. The MICBIAS outputs are recommended, as these offer better noise performance and independent enable/disable control.

Analogue microphones may be connected in single-ended or differential configurations, as illustrated in Figure 84. The differential configuration provides better performance due to its rejection of common-mode noise; the single-ended method provides a reduction in external component count.

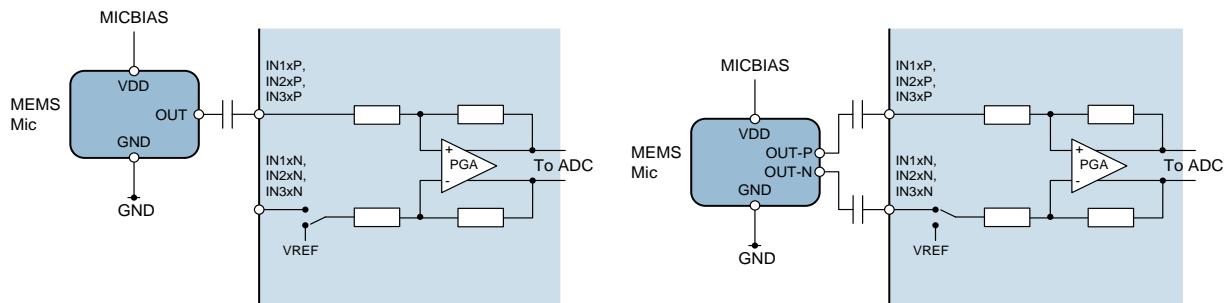
A bias resistor is required when using an electret condenser microphone (ECM). The bias resistor should be chosen according to the minimum operating impedance of the microphone and MICBIAS voltage so that the maximum bias current of the WM8281 is not exceeded.

A 2.2kΩ bias resistor is recommended; this provides compatibility with a wide range of microphone components.



**Figure 84 Single-Ended and Differential Analogue Microphone Connections**

Analogue MEMS microphones can be connected to the WM8281 as illustrated in Figure 85. In this configuration, the MICBIAS generators provide a low-noise supply for the microphones; a bias resistor is not required.

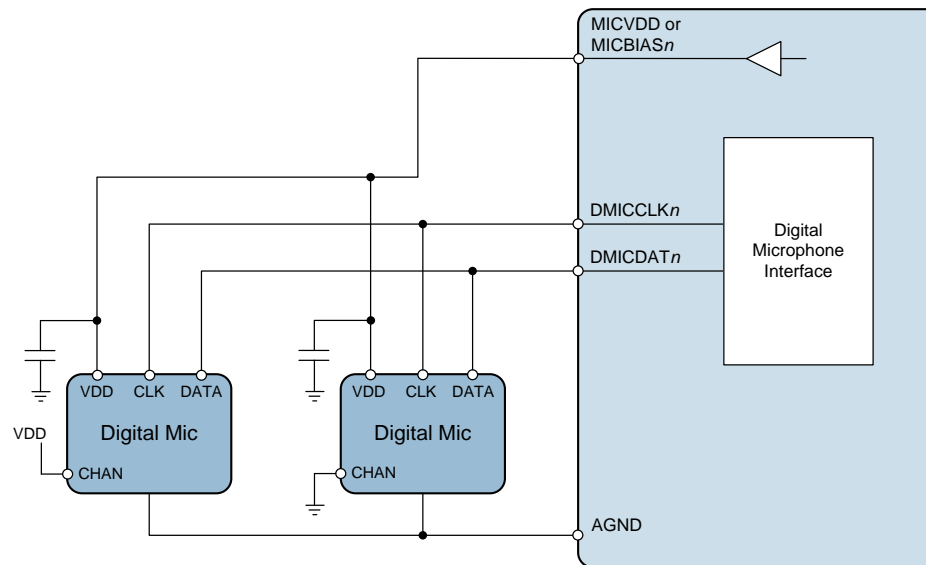


**Figure 85 Single-Ended and Differential Analogue Microphone Connections**



Digital microphone connection to the WM8281 is illustrated in Figure 86.

Ceramic decoupling capacitors for the digital microphones may be required - refer to the specific recommendations for the application microphone(s).



**Figure 86 Digital Microphone Connection**

The MICBIAS generators can each operate as a voltage regulator or in bypass mode. See “Charge Pumps, Regulators and Voltage Reference” for details of the MICBIAS generators.

In Regulator mode, the MICBIAS regulators are designed to operate without external decoupling capacitors. The regulators can be configured to support a capacitive load if required (eg. for digital microphone supply decoupling). The compatible load conditions are detailed in the “Electrical Characteristics” section.

If the capacitive load on MICBIAS1, MICBIAS2 or MICBIAS3 exceeds the specified conditions for Regulator mode (eg. due to a decoupling capacitor or long PCB trace), then the respective generator must be configured in Bypass mode.

The maximum output current for each MICBIAS $n$  pin is noted in the “Electrical Characteristics”. This limit must be observed on each MICBIAS output, especially if more than one microphone is connected to a single MICBIAS pin. Note that the maximum output current differs between Regulator mode and Bypass mode. The MICBIAS output voltage can be adjusted using register control in Regulator mode.

### HEADPHONE DRIVER OUTPUT PATH

The WM8281 provides 3 stereo headphone output drivers. These outputs are all ground-referenced, allowing direct connection to the external load(s). There is no requirement for DC blocking capacitors.

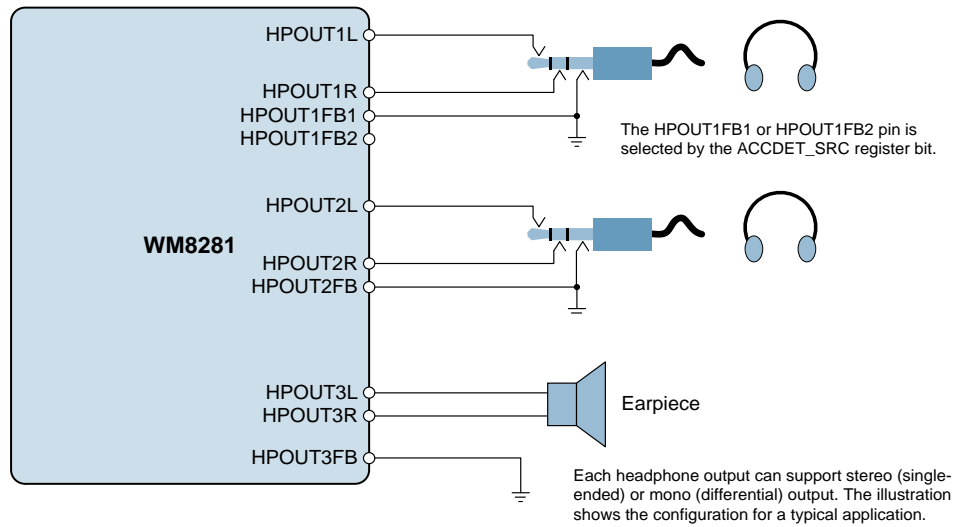
In single-ended (default) configuration, the headphone outputs comprise 6 independently controlled output channels, for up to 3 stereo headphone or line outputs. In mono (BTL) mode, the headphone drivers support up to 3 differential outputs, suitable for a mono earpiece or hearing coil load.

The headphone outputs incorporate a common mode, or ground loop, feedback path which provides rejection of system-related ground noise. The feedback pins must be connected to ground for normal operation of the headphone outputs. A separate feedback path is provided for each of the stereo headphone outputs. The HPOUT1 feedback is supported on two pins - the applicable pin is selected using the ACCDET\_SRC register bit.

The feedback pins should be connected to GND close to the respective headphone jack, as illustrated in Figure 87. In mono (differential) mode, the feedback pin(s) should be connected to the ground plane that is physically closest to the earpiece output PCB tracks.

It is recommended to ensure that the electrical characteristics of the PCB traces for each output pair are closely matched. This is particularly important to matching the two traces of a differential (BTL) output.

Typical headphone and earpiece connections are illustrated in Figure 87.



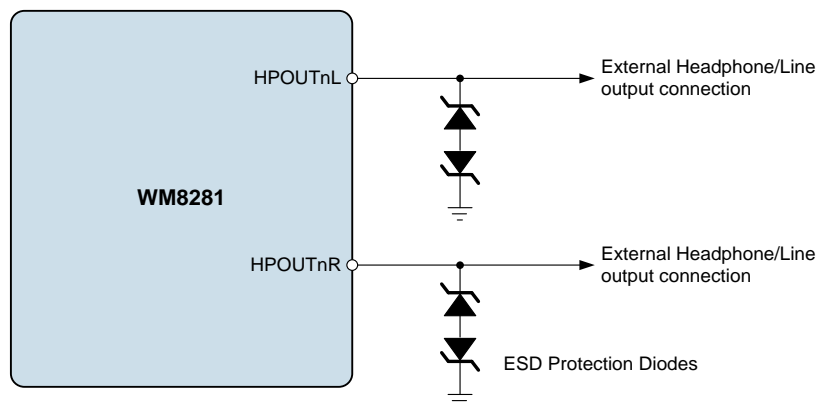
**Figure 87 Headphone and Earpiece Connection**

It is common for ESD diodes to be wired to pins that link to external connectors. This provides protection from potentially harmful ESD effects. In a typical application, ESD diodes would be recommended for the headphone paths (HPOUT1, HPOUT2, HPOUT3), when used as external headphone or line output.

The HPOUTn outputs are ground-referenced, and the respective voltages may swing between +1.8V and -1.8V. The ESD diode configuration must be carefully chosen.

The recommended ESD diode configuration for these ground-referenced outputs is illustrated in Figure 88. The 'back-to-back' arrangement is necessary in order to prevent clipping and distortion of the output signal.

Note that similar care is required when connecting the WM8281 outputs to external circuits that provide input path ESD protection - the configuration on those input circuits must be correctly designed to accommodate ground-referenced signals.

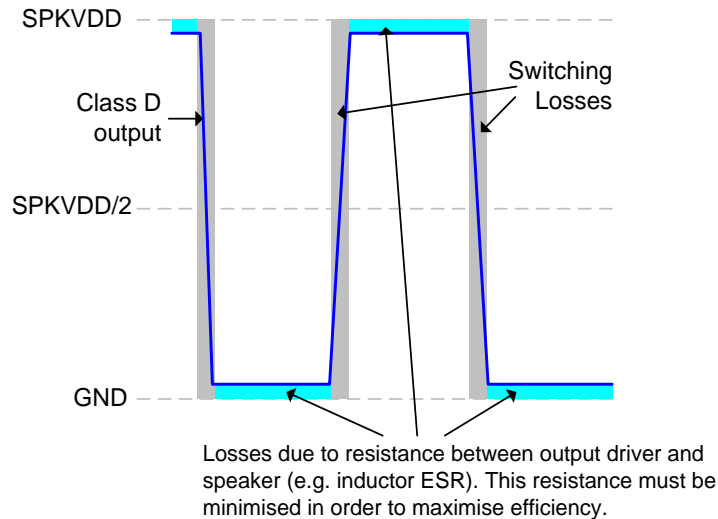


**Figure 88 ESD Diode Configuration for External Output Connections**

## SPEAKER DRIVER OUTPUT PATH

The WM8281 incorporates two Class D speaker drivers, offering high amplifier efficiency at large signal levels. As the Class D output is a pulse width modulated signal, the choice of speakers and tracking of signals is critical for ensuring good performance and reducing EMI in this mode.

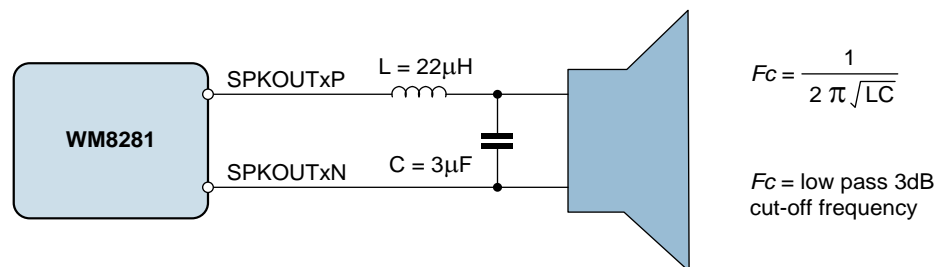
The efficiency of the speaker drivers is affected by the series resistance between the WM8281 and the speaker (e.g. PCB track loss and inductor ESR) as shown in Figure 89. This resistance should be as low as possible to maximise efficiency.



**Figure 89 Speaker Connection Losses**

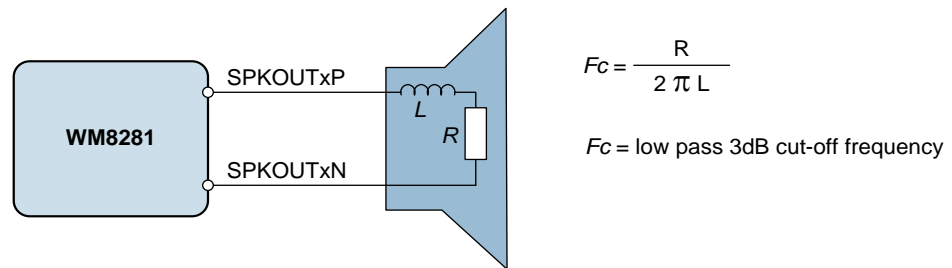
The Class D output requires external filtering in order to recreate the audio signal. This may be implemented using a 2<sup>nd</sup> order LC or 1<sup>st</sup> order RC filter, or else may be achieved by using a loudspeaker whose internal inductance provides the required filter response. An LC or RC filter should be used if the loudspeaker characteristics are unknown or unsuitable, or if the length of the loudspeaker connection is likely to lead to EMI problems.

In applications where it is necessary to provide Class D filter components, a 2<sup>nd</sup> order LC filter is the recommended solution as it provides more attenuation at higher frequencies and minimises power dissipated in the filter when compared to a first order RC filter (lower ESR). This maximises both rejection of unwanted switching frequencies and overall speaker efficiency. A suitable implementation is illustrated in Figure 90.



**Figure 90 Class D Output Filter Components**

A simple equivalent circuit of a loudspeaker consists of a serially connected resistor and inductor, as shown in Figure 91. This circuit provides a low pass filter for the speaker output. If the loudspeaker characteristics are suitable, then the loudspeaker itself can be used in place of the filter components described earlier. This is known as 'filterless' operation.



**Figure 91 Speaker Equivalent Circuit for Filterless Operation**

For filterless Class D operation, it is important to ensure that a speaker with suitable inductance is chosen. For example, if we know the speaker impedance is  $8\Omega$  and the desired cut-off frequency is 20kHz, then the optimum speaker inductance may be calculated as:

$$L = \frac{R}{2 \pi F_c} = \frac{8\Omega}{2 \pi * 20\text{kHz}} = 64\mu\text{H}$$

$8\Omega$  loudspeakers typically have an inductance in the range  $20\mu\text{H}$  to  $100\mu\text{H}$ , however, it should be noted that a loudspeaker inductance will not be constant across the relevant frequencies for Class D operation (up to and beyond the Class D switching frequency). Care should be taken to ensure that the cut-off frequency of the loudspeaker's filtering is low enough to suppress the high frequency energy of the Class D switching and, in so doing, to prevent speaker damage. The Class D outputs of the WM8281 operate at much higher frequencies than is recommended for most speakers and it must be ensured that the cut-off frequency is low enough to protect the speaker.

### POWER SUPPLY DECOUPLING

Electrical coupling exists particularly in digital logic systems where switching in one sub-system causes fluctuations on the power supply. This effect occurs because the inductance of the power supply acts in opposition to the changes in current flow that are caused by the logic switching. The resultant variations ('spikes') in the power supply voltage can cause malfunctions and unintentional behaviour in other components. A decoupling ('bypass') capacitor can be used as an energy storage component which will provide power to the decoupled circuit for the duration of these power supply variations, protecting it from malfunctions that could otherwise arise.

Coupling also occurs in a lower frequency form when ripple is present on the power supply rail caused by changes in the load current or by limitations of the power supply regulation method. In audio components such as the WM8281, these variations can alter the performance of the signal path, leading to degradation in signal quality. A decoupling capacitor can be used to filter these effects, by presenting the ripple voltage with a low impedance path that does not affect the circuit to be decoupled.

These coupling effects are addressed by placing a capacitor between the supply rail and the corresponding ground reference. In the case of systems comprising multiple power supply rails, decoupling should be provided on each rail.

The recommended power supply decoupling capacitors for WM8281 are detailed below in Table 132.

POWER SUPPLY	DECOUPLING CAPACITOR
LDOVDD, DBVDD1, DBVDD2, DBVDD3	0.1 $\mu$ F ceramic (see Note)
AVDD1, AVDD2	1.0 $\mu$ F ceramic
CPVDD	4.7 $\mu$ F ceramic
MICVDD	4.7 $\mu$ F ceramic
DCVDD	2 x 2.2 $\mu$ F ceramic - one close to each DCVDD pin. Alternatively, a single 4.7 $\mu$ F ceramic. If DCVDD is supplied externally (not from LDO1), then smaller capacitors, eg. 2 x 1 $\mu$ F may be sufficient.
SPKVDDL, SPKVDDR	4.7 $\mu$ F ceramic

**Table 132 Power Supply Decoupling Capacitors**

Note: 0.1 $\mu$ F is required with 4.7 $\mu$ F a guide to the total required power rail capacitance.

All decoupling capacitors should be placed as close as possible to the WM8281 device. The connection between AGND, the AVDD decoupling capacitor and the main system ground should be made at a single point as close as possible to the AGND balls of the WM8281.

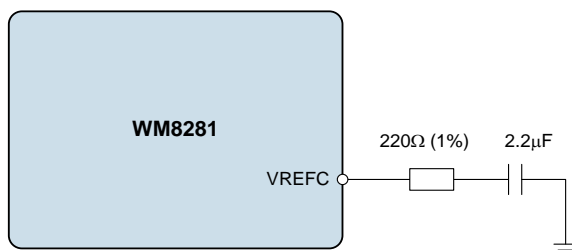
Due to the wide tolerance of many types of ceramic capacitors, care must be taken to ensure that the selected components provide the required capacitance across the required temperature and voltage ranges in the intended application. For most application the use of ceramic capacitors with capacitor dielectric X5R is recommended.

### VOLTAGE REFERENCE EXTERNAL COMPONENTS

An external resistor and capacitor must be connected between VREFC and GND, as illustrated in Figure 92. These components are necessary as part of the Voltage Reference circuit, and should be positioned as close as possible to the WM8281.

A 220 $\Omega$  (1%) resistor is required for this function. Note that a low-tolerance component must be used.

The 2.2 $\mu$ F X5R ceramic capacitor is recommended.



**Figure 92 Voltage Reference External Components**

### CHARGE PUMP COMPONENTS

The WM8281 incorporates two Charge Pump circuits, identified as CP1 and CP2.

CP1 generates the CP1VOUTP and CP1VOUTN supply rails for the ground-referenced headphone drivers; CP2 generates the CP2VOUT supply rail for the microphone bias (MICBIAS) regulators.

Decoupling capacitors are required on each of the Charge Pump outputs. Two fly-back capacitors are required for CP1; a single fly-back capacitor is required for CP2.

The recommended Charge Pump capacitors for WM8281 are detailed below in Table 133.

DESCRIPTION	CAPACITOR
CP1VOUT1P decoupling	Required capacitance is 2.0 $\mu$ F at 2V. Suitable component typically 4.7 $\mu$ F.
CP1VOUT1N decoupling	Required capacitance is 2.0 $\mu$ F at 2V. Suitable component typically 4.7 $\mu$ F.
CP1 fly-back 1 (connect between CP1C1A and CP1C1B)	Required capacitance is 1.0 $\mu$ F at 2V. Suitable component typically 2.2 $\mu$ F.
CP1VOUT2P decoupling	Required capacitance is 2.0 $\mu$ F at 2V. Suitable component typically 4.7 $\mu$ F.
CP1VOUT2N decoupling	Required capacitance is 2.0 $\mu$ F at 2V. Suitable component typically 4.7 $\mu$ F.
CP1 fly-back 2 (connect between CP1C2A and CP1C2B)	Required capacitance is 1.0 $\mu$ F at 2V. Suitable component typically 2.2 $\mu$ F.
CP2VOUT decoupling	Required capacitance is 1.0 $\mu$ F at 3.6V. Suitable component typically 4.7 $\mu$ F.
CP2 fly-back (connect between CP2CA and CP2CB)	Required capacitance is 220nF at 2V. Suitable component typically 470nF.

**Table 133 Charge Pump External Capacitors**

Ceramic capacitors are recommended for these Charge Pump requirements. Note that, due to the wide tolerance of many types of ceramic capacitors, care must be taken to ensure that the selected components provide the required capacitance across the required temperature and voltage ranges in the intended application. Ceramic capacitors with X5R dielectric are recommended.

The positioning of the Charge Pump capacitors is important, particularly the fly-back capacitors. These capacitors should be placed as close as possible to the WM8281. The component choice and positioning of the CP1 components are more critical than those of CP2, due to the higher output power requirements of CP1.

### EXTERNAL ACCESSORY DETECTION COMPONENTS

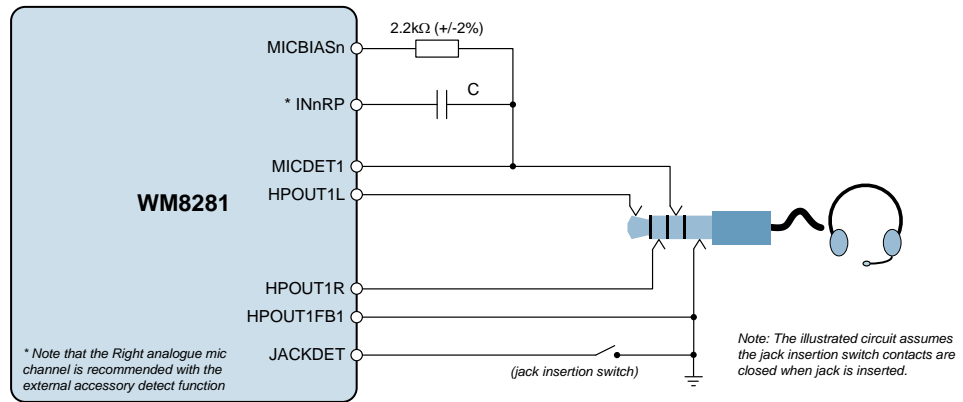
The external accessory detection circuit measures jack insertion using the JACKDET pin. The insertion switch status is detected using an internal pull-up resistor circuit on the JACKDET pin.

Microphone detection and key-button press detection is supported using the MICDETn pins. The applicable pin should be connected to one of the MICBIASn outputs, via a 2.2k $\Omega$  bias resistor, as described in the "Microphone Bias Circuit" section. Note that, when using the External Accessory Detection function, the MICBIASn resistor must be 2.2k $\Omega$  +/-2%.

A recommended circuit configuration, including headphone output on HPOUT1 and microphone connections, is shown in Figure 93. See "Analogue Input Paths" for details of the DC-blocking microphone input capacitor selection.

The recommended external components and connections for microphone / push-button detection are illustrated in Figure 94.

Note that, when using the Microphone Detect circuit, it is recommended to use one of the Right channel analogue microphone input paths, to ensure best immunity to electrical transients arising from the external accessory.



**Figure 93 External Accessory Detection**

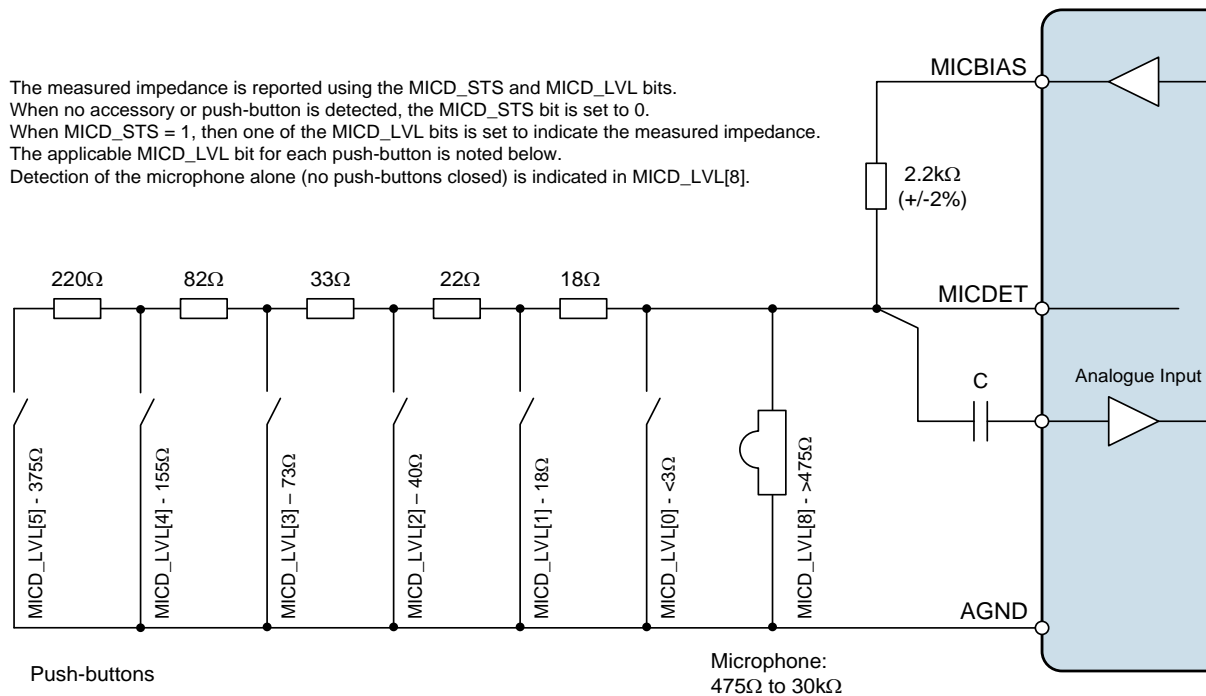
The accessory detection circuit measures the impedance of an external load connected to one of the MICDET pins.

The microphone detection circuit uses MICVDD, MICBIAS1, MICBIAS2 or MICBIAS3 as a reference. The applicable source is configured using the MICD\_BIAS\_SRC register.

The WM8281 can detect the presence of a typical microphone and up to 6 push-buttons, using the components shown in Figure 94. When the microphone detection circuit is enabled, then each of the push-buttons shown will cause a different bit within the MICD\_LVL register to be set.

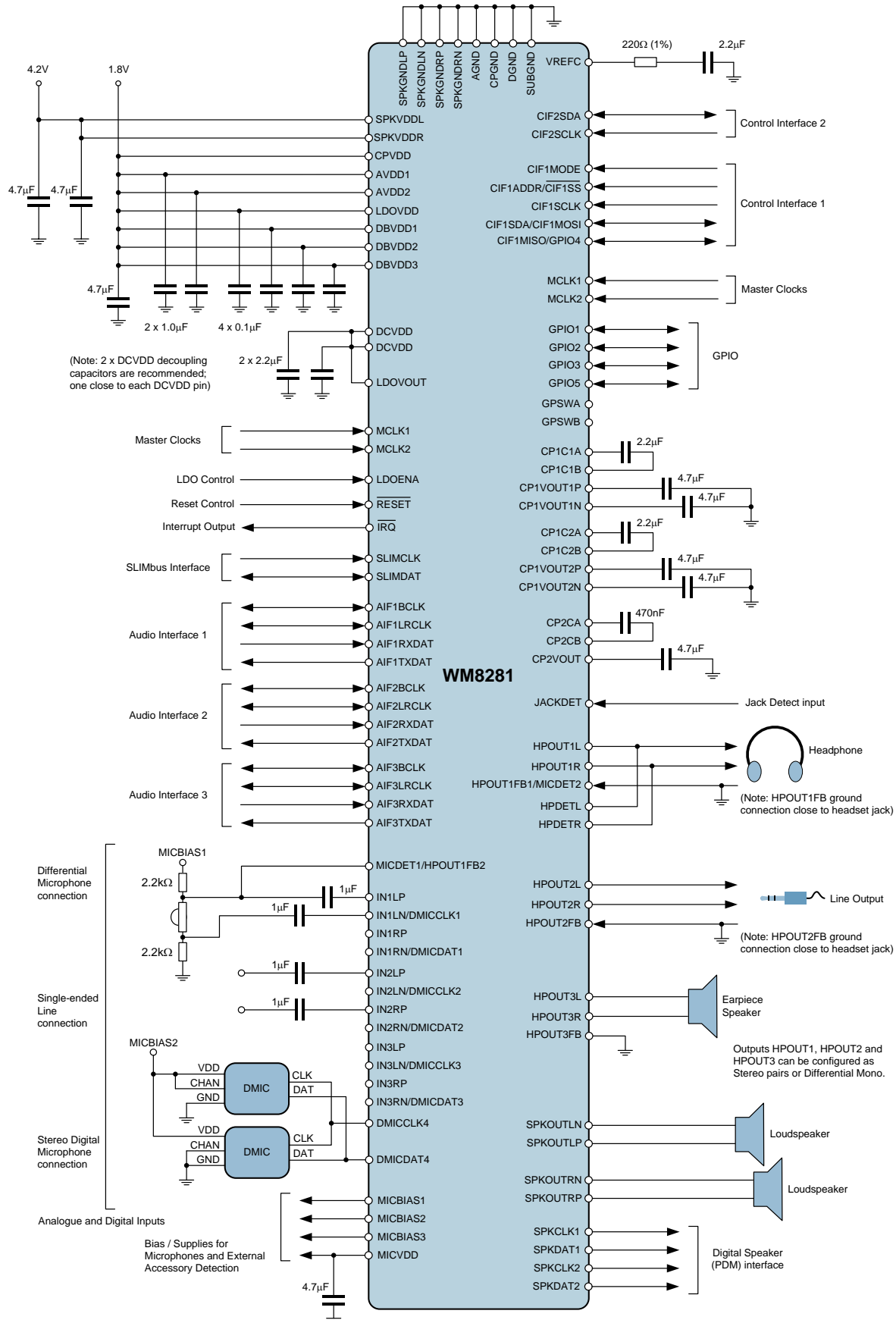
The microphone detect function is specifically designed to detect a video accessory (typical 75Ω) load if required. A measured external impedance of 75Ω will cause the MICD\_LVL [3] bit to be set.

The measured impedance is reported using the MICD\_STS and MICD\_LVL bits. When no accessory or push-button is detected, the MICD\_STS bit is set to 0. When MICD\_STS = 1, then one of the MICD\_LVL bits is set to indicate the measured impedance. The applicable MICD\_LVL bit for each push-button is noted below. Detection of the microphone alone (no push-buttons closed) is indicated in MICD\_LVL[8].



**Figure 94 External Accessory Detect Connection**

## RECOMMENDED EXTERNAL COMPONENTS DIAGRAM





**RESETS SUMMARY**

The contents of Table 134 provide a summary of the WM8281 registers and other programmable memory under different reset conditions. The associated events and conditions are listed below.

- A Power-On Reset occurs when AVDD or DBVDD1 is below its respective reset threshold. (Note that DCVDD is also required for initial start-up; subsequent interruption to DCVDD should only be permitted as part of a control sequence for entering Sleep mode.)
- A Hardware Reset occurs when the RESET input is asserted (logic 0).
- A Software Reset occurs when register R0 is written to.
- Sleep Mode is selected when LDO1 is disabled. (LDO1 can be controlled using the LDO1\_ENA register bit, or using the LDOENA pin; both of these controls must be de-asserted to disable the LDO.) Note that the AVDD, DBVDD1 and LDOVDD supplies must be present, and the LDOENA pin held low. It is assumed that DCVDD is supplied by LDO1.

	<b>ALWAYS-ON REGISTERS</b>	<b>OTHER REGISTERS</b>	<b>CONTROL SEQUENCER MEMORY</b>	<b>DSP FIRMWARE MEMORY</b>
Power-On Reset	Reset	Reset	Reset	Reset
Hardware Reset	Reset	Reset	Retained	Configurable (see note)
Software Reset	Reset	Reset	Retained	Configurable (see note)
Sleep Mode	Retained	Reset	Retained	Reset

**Table 134 Memory Reset Summary**

See “Low Power Sleep Configuration” for details of the ‘Always-On’ registers.

See “DSP Firmware Control” for details of the configurable DSP memory behaviour.

Note that, to retain the DSP firmware memory contents during Hardware Reset or Software Reset, it must be ensured that DCVDD is held above its reset threshold. If DCVDD is powered from internal LDO, then it is recommended to assert the LDOENA pin before the Reset, in order to maintain the DCVDD supply.

**OUTPUT SIGNAL DRIVE STRENGTH CONTROL**

The WM8281 supports configurable drive strength control for the digital output pins. This can be used to assist system-level integration and design considerations.

The drive strength control registers are described in Table 135. Note that, in the case of bi-directional pins (eg. GPIO), the drive strength control registers are only applicable when the pin is configured as an output.

REGISTER ADDRESS	BIT	LABEL	DEFAULT	DESCRIPTION
R3120 (0C30h) Misc Pad Ctrl 7	10	CIF1MISO_GPIO4_DRV_STR	1	CIF1MISO / GPIO4 output drive strength 0 = 4mA 1 = 8mA
	2	CIF1SDA_CIF1MOSI_DRV_STR	1	CIF1SDA / CIF1MOSI output drive strength 0 = 4mA 1 = 8mA
R3121 (0C31h) Misc Pad Ctrl 8	2	CIF2SDA_DRV_STR	1	CIF2SDA output drive strength 0 = 4mA 1 = 8mA
R3122 (0C32h) Misc Pad Ctrl 9	10	AIF1LRCLK_DRV_STR	1	AIF1LRCLK output drive strength 0 = 4mA 1 = 8mA
	2	GPIO1_DRV_STR	1	GPIO1 output drive strength 0 = 4mA 1 = 8mA
R3123 (0C33h) Misc Pad Ctrl 10	10	AIF1BCLK_DRV_STR	1	AIF1BCLK output drive strength 0 = 4mA 1 = 8mA
	2	AIF1TXDAT_DRV_STR	1	AIF1TXDAT output drive strength 0 = 4mA 1 = 8mA
R3124 (0C34h) Misc Pad Ctrl 11	10	AIF2LRCLK_DRV_STR	1	AIF2LRCLK output drive strength 0 = 4mA 1 = 8mA
	2	GPIO2_DRV_STR	1	GPIO2 output drive strength 0 = 4mA 1 = 8mA
R3125 (0C35h) Misc Pad Ctrl 12	10	AIF2BCLK_DRV_STR	1	AIF2BCLK output drive strength 0 = 4mA 1 = 8mA
	2	AIF2TXDAT_DRV_STR	1	AIF2TXDAT output drive strength 0 = 4mA 1 = 8mA
R3126 (0C36h) Misc Pad Ctrl 13	10	AIF3LRCLK_DRV_STR	1	AIF3LRCLK output drive strength 0 = 4mA 1 = 8mA
	2	GPIO3_DRV_STR	1	GPIO3 output drive strength 0 = 4mA 1 = 8mA
R3127 (0C37h) Misc Pad Ctrl 14	10	AIF3BCLK_DRV_STR	1	AIF3BCLK output drive strength 0 = 4mA 1 = 8mA
	2	AIF3TXDAT_DRV_STR	1	AIF3TXDAT output drive strength 0 = 4mA 1 = 8mA

REGISTER ADDRESS	BIT	LABEL	DEFAULT	DESCRIPTION
R3128 (0C38h) Misc Pad Ctrl 15	10	SLIMDAT_DRV_STR	0	SLIMDAT output drive strength 0 = 8mA 1 = 12mA
	2	SLIMCLK_DRV_STR	1	SLIMCLK output drive strength 0 = 2mA 1 = 4mA
R3129 (0C39h) Misc Pad Ctrl 16	10	IRQ_DRV_STR	1	IRQ output drive strength 0 = 4mA 1 = 8mA
	2	GPIO5_DRV_STR	1	GPIO5 output drive strength 0 = 4mA 1 = 8mA
R3130 (0C3Ah) Misc Pad Ctrl 17	10	SPKDAT1_DRV_STR	1	SPKDAT1 output drive strength 0 = 4mA 1 = 8mA
	2	SPKCLK1_DRV_STR	1	SPKCLK1 output drive strength 0 = 4mA 1 = 8mA
R3131 (0C3Bh) Misc Pad Ctrl 18	10	SPKDAT2_DRV_STR	1	SPKDAT2 output drive strength 0 = 4mA 1 = 8mA
	2	SPKCLK2_DRV_STR	1	SPKCLK2 output drive strength 0 = 4mA 1 = 8mA

**Table 135 Output Drive Strength and Slew Rate Control**

**DIGITAL AUDIO INTERFACE CLOCKING CONFIGURATIONS**

The digital audio interfaces (AIF1, AIF2, AIF3) can be configured in Master or Slave modes. In all applications, it is important that the system clocking configuration is correctly designed. Incorrect clock configurations will lead to audible clicks arising from dropped or repeated audio samples; this is caused by the inherent tolerances of multiple asynchronous system clocks.

To ensure reliable clocking of the audio interface functions, it is a requirement that the external interface clocks (eg. BCLK, LRCLK) are derived from the same clock source as SYSCLK (or ASYNCCLK, where applicable).

In AIF Master mode, the external BCLK and LRCLK signals are generated by the WM8281 and synchronisation of these signals with SYSCLK (or ASYNCCLK) is ensured. In this case, clocking of the AIF is typically derived from the MCLK1 or MCLK2 inputs, either directly or via one of the Frequency Locked Loop (FLL) circuits. It is also possible to use a different interface (AIFn or SLIMbus) to provide the reference clock to which the AIF Master can be synchronised.

In AIF Slave mode, the external BCLK and LRCLK signals are generated by another device, as inputs to the WM8281. In this case, it must be ensured that the applicable system clock (SYSCLK or ASYNCCLK) is generated from a source that is synchronised to the external BCLK and LRCLK inputs.

In a typical Slave mode application, the BCLK input is selected as the clock reference, using the FLL to perform frequency shifting. It is also possible to use the MCLK1 or MCLK2 inputs, but only if the selected clock is synchronised externally to the BCLK and LRCLK inputs. The SLIMbus interface can also provide the clock reference, via one of the FLLs, provided that the BCLK and LRCLK signals are externally synchronised with the SLIMCLK input.

The valid AIF clocking configurations are listed in Table 136 for AIF Master and AIF Slave modes.

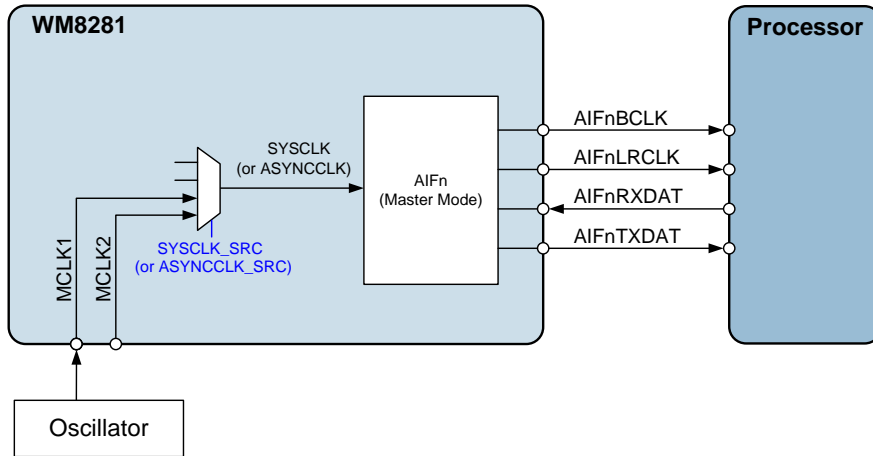
The applicable system clock (SYSCLK or ASYNCCLK) depends on the AIFn\_RATE setting for the relevant digital audio interface; if AIFn\_RATE < 1000, then SYSCLK is applicable; if AIFn\_RATE ≥ 1000, then ASYNCCLK is applicable.

<b>AIF MODE</b>	<b>CLOCKING CONFIGURATION</b>
AIF Master Mode	SYSCLK_SRC (ASYNCCLK_SRC) selects MCLK1 or MCLK2 as SYSCLK (ASYNCCLK) source.
	SYSCLK_SRC (ASYNCCLK_SRC) selects FLLn as SYSCLK (ASYNCCLK) source; FLLn_REFCLK_SRC selects MCLK1 or MCLK2 as FLLn source.
	SYSCLK_SRC (ASYNCCLK_SRC) selects FLLn as SYSCLK (ASYNCCLK) source; FLLn_REFCLK_SRC selects a different interface (BCLK, LRCLK, SLIMCLK) as FLLn source.
AIF Slave Mode	SYSCLK_SRC (ASYNCCLK_SRC) selects FLLn as SYSCLK (ASYNCCLK) source; FLLn_REFCLK_SRC selects BCLK as FLLn source.
	SYSCLK_SRC (ASYNCCLK_SRC) selects MCLK1 or MCLK2 as SYSCLK (ASYNCCLK) source, provided MCLK is externally synchronised to the BCLK input.
	SYSCLK_SRC (ASYNCCLK_SRC) selects FLLn as SYSCLK (ASYNCCLK) source; FLLn_REFCLK_SRC selects MCLK1 or MCLK2 as FLLn source, provided MCLK is externally synchronised to the BCLK input.
	SYSCLK_SRC (ASYNCCLK_SRC) selects FLLn as SYSCLK (ASYNCCLK) source; FLLn_REFCLK_SRC selects a different interface (eg. SLIMCLK) as FLLn source, provided the other interface is externally synchronised to the BCLK input.

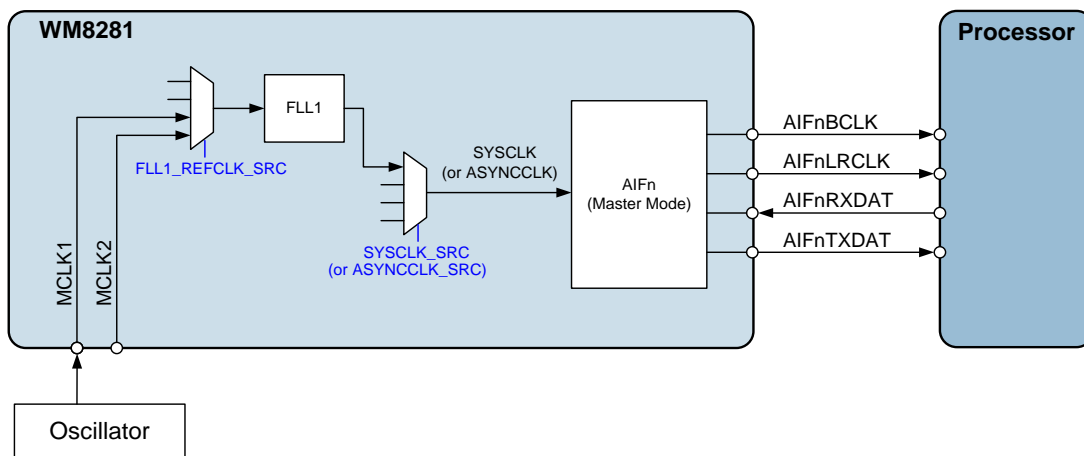
**Table 136 Audio Interface (AIF) Clocking Configurations**

In each case, the SYSCLK (ASYNCCLK) frequency must be a valid ratio to the LRCLK frequency; the supported clocking rates are defined by the SYSCLK\_FREQ (ASYNC\_CLK\_FREQ) and SAMPLE\_RATE\_n (ASYNC\_SAMPLE\_RATE\_n) registers.

The valid AIF clocking configurations are illustrated in Figure 95 to Figure 101 below. Note that, where MCLK1 is illustrated as the clock source, it is equally possible to select MCLK2 as the clock source. Similarly, in cases where FLL1 is illustrated, it is equally possible to select FLL2.



**Figure 95 AIF Master Mode, using MCLK as Reference**



**Figure 96 AIF Master Mode, using MCLK and FLL as Reference**

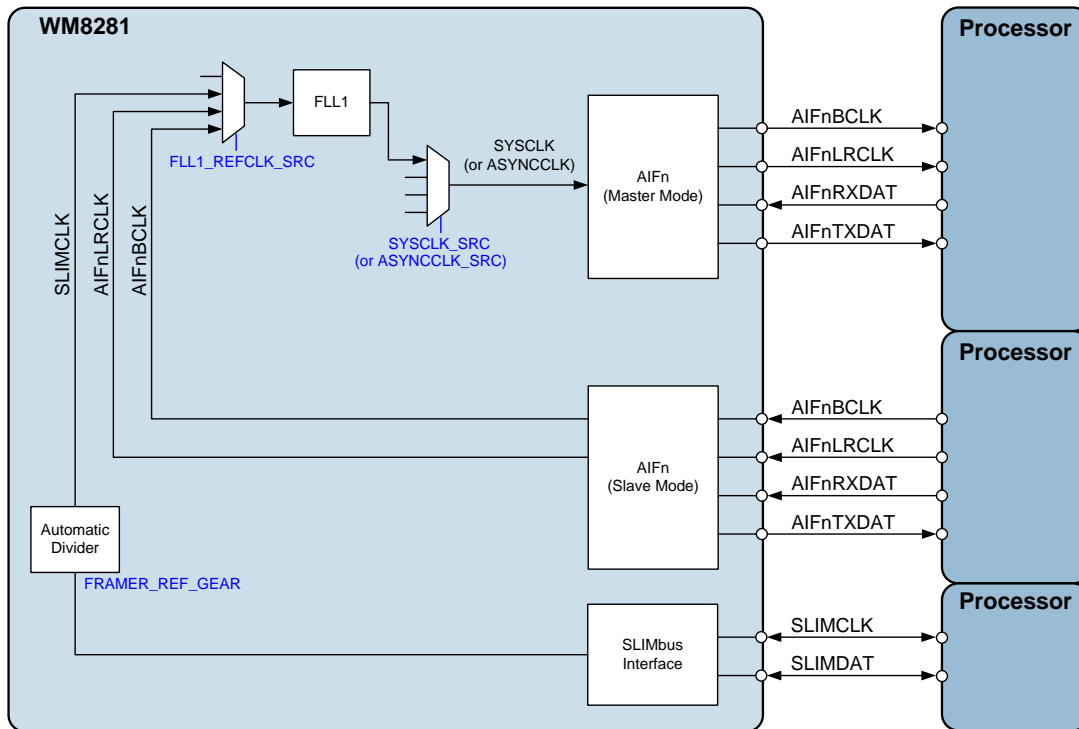


Figure 97 AIF Master Mode, using another Interface as Reference

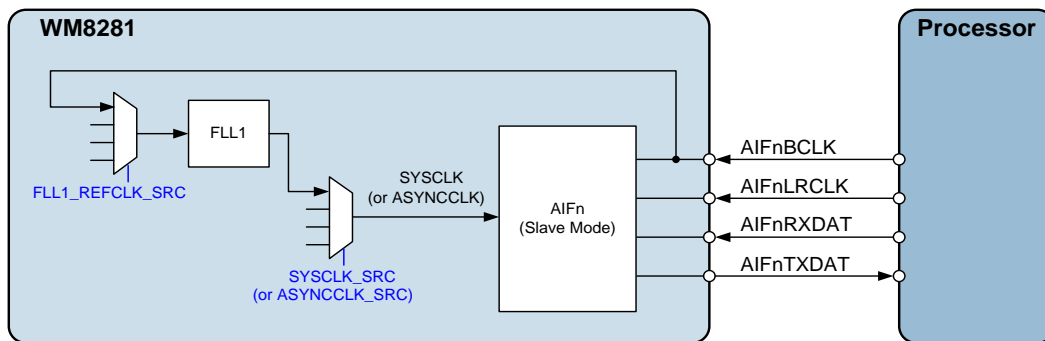


Figure 98 AIF Slave Mode, using BCLK and FLL as Reference

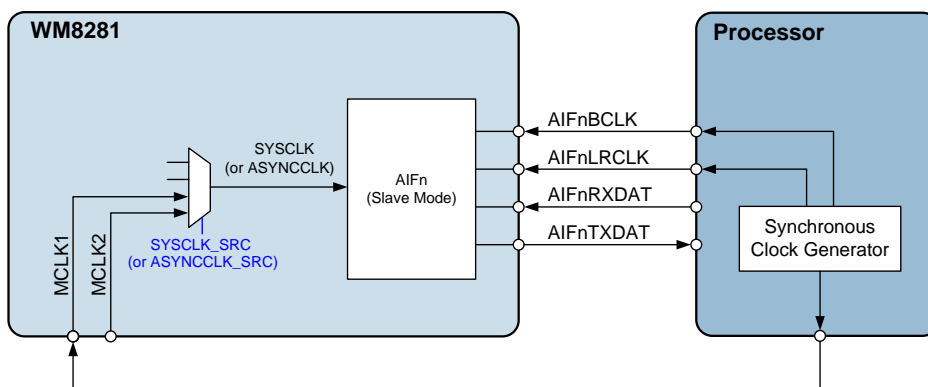


Figure 99 AIF Slave Mode, using MCLK as Reference

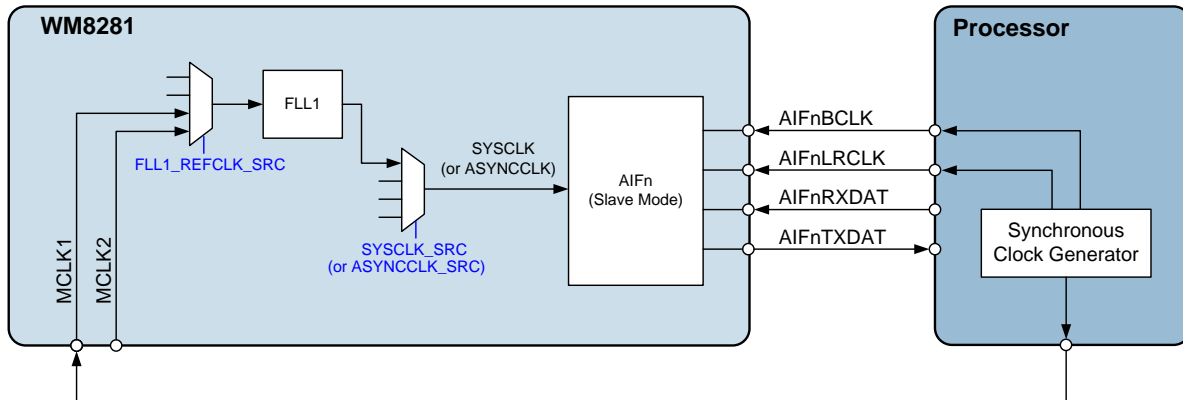


Figure 100 AIF Slave Mode, using MCLK and FLL as Reference

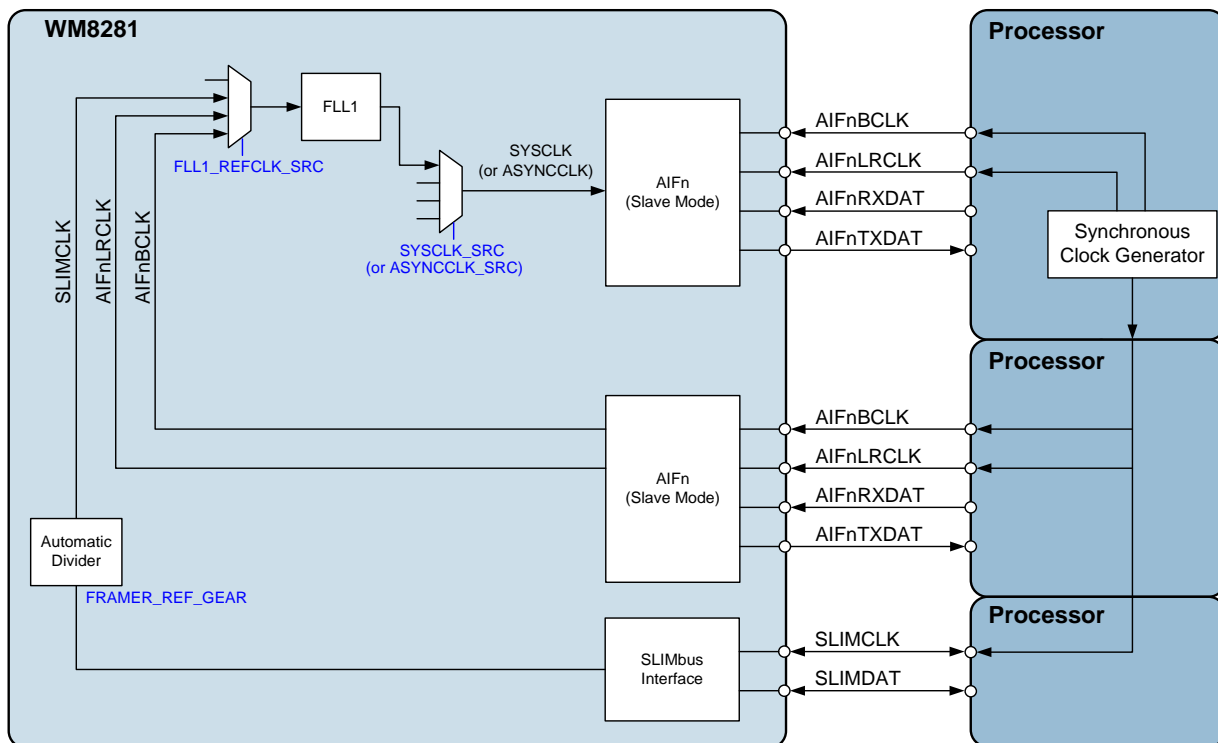
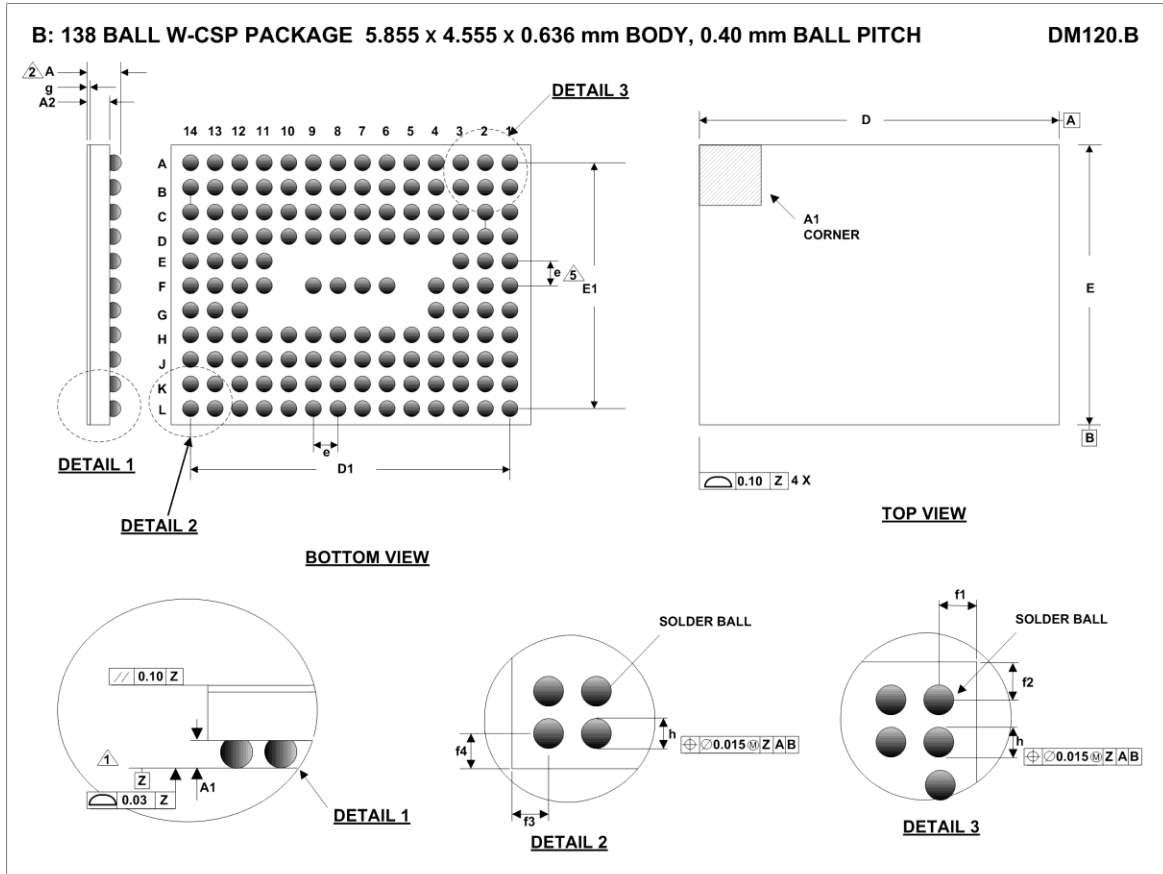


Figure 101 AIF Slave Mode, using another Interface as Reference

## PCB LAYOUT CONSIDERATIONS

Poor PCB layout will degrade the performance and be a contributory factor in EMI, ground bounce and resistive voltage losses. All external components should be placed as close to the WM8281 device as possible, with current loop areas kept as small as possible.

**PACKAGE DIMENSIONS**


Symbols	Dimensions (mm)			NOTE
	MIN	NOM	MAX	
A	0.592	0.636	0.681	
A1	0.175	0.190	0.205	
A2	0.417	0.446	0.476	
D	5.800	5.855	5.880	
D1		5.20 BSC		
E	4.500	4.555	4.580	
E1		4.00 BSC		
e		0.40 BSC		5
f1		0.3275 BSC		
f2		0.2775 BSC		
f3		0.3275 BSC		
f4		0.2775 BSC		
g	0.036	0.040	0.044	
h	0.216	0.270	0.324	

**NOTES:**

1. PRIMARY DATUM -Z- AND SEATING PLANE ARE DEFINED BY THE SPHERICAL CROWNS OF THE SOLDER BALLS.
2. THIS DIMENSION INCLUDES STAND-OFF HEIGHT 'A1'.
3. A1 CORNER IS IDENTIFIED BY INK/LASER MARK ON TOP PACKAGE.
4. BILATERAL TOLERANCE ZONE IS APPLIED TO EACH SIDE OF THE PACKAGE BODY.
5. 'e' REPRESENTS THE BASIC SOLDER BALL GRID PITCH.
6. THIS DRAWING IS SUBJECT TO CHANGE WITHOUT NOTICE.
7. FOLLOWS JEDEC DESIGN GUIDE MO-211-C.



---

**IMPORTANT NOTICE**

---

**Contacting Cirrus Logic Support**

For all product questions and inquiries, contact a Cirrus Logic Sales Representative.

To find one nearest you, go to [www.cirrus.com](http://www.cirrus.com).

---

For the purposes of our terms and conditions of sale, "Preliminary" or "Advanced" datasheets are non-final datasheets that include but are not limited to datasheets marked as "Target", "Advance", "Product Preview", "Preliminary Technical Data" and/or "Pre-production." Products provided with any such datasheet are therefore subject to relevant terms and conditions associated with "Preliminary" or "Advanced" designations. Products and services of Cirrus Logic International (UK) Limited; Cirrus Logic, Inc.; and other companies in the Cirrus Logic group (collectively either "Cirrus Logic" or "Cirrus") are sold subject to Cirrus Logic's terms and conditions of sale supplied at the time of order acknowledgment, including those pertaining to warranty, indemnification, and limitation of liability. Software is provided pursuant to applicable license terms. Cirrus Logic reserves the right to make changes to its products and specifications or to discontinue any product or service without notice. Customers should therefore obtain the latest version of relevant information from Cirrus Logic to verify that the information is current and complete. Testing and other quality control techniques are utilized to the extent Cirrus Logic deems necessary. Specific testing of all parameters of each device is not necessarily performed. In order to minimize risks associated with customer applications, the customer must use adequate design and operating safeguards to minimize inherent or procedural hazards. Cirrus Logic is not liable for applications assistance or customer product design. The customer is solely responsible for its product design, including the specific manner in which it uses Cirrus Logic components, and certain uses or product designs may require an intellectual property license from a third party. Features and operations described herein are for illustrative purposes only and do not constitute a suggestion or instruction to adopt a particular product design or a particular mode of operation for a Cirrus Logic component.

CERTAIN APPLICATIONS USING SEMICONDUCTOR PRODUCTS MAY INVOLVE POTENTIAL RISKS OF DEATH, PERSONAL INJURY, OR SEVERE PROPERTY OR ENVIRONMENTAL DAMAGE ("CRITICAL APPLICATIONS"). CIRRUS LOGIC PRODUCTS ARE NOT DESIGNED, AUTHORIZED OR WARRANTED FOR USE IN PRODUCTS SURGICALLY IMPLANTED INTO THE BODY, AUTOMOTIVE SAFETY OR SECURITY DEVICES, NUCLEAR SYSTEMS, LIFE SUPPORT PRODUCTS OR OTHER CRITICAL APPLICATIONS. INCLUSION OF CIRRUS LOGIC PRODUCTS IN SUCH APPLICATIONS IS UNDERSTOOD TO BE FULLY AT THE CUSTOMER'S RISK AND CIRRUS LOGIC DISCLAIMS AND MAKES NO WARRANTY, EXPRESS, STATUTORY OR IMPLIED, INCLUDING THE IMPLIED WARRANTIES OF MERCHANTABILITY AND FITNESS FOR PARTICULAR PURPOSE, WITH REGARD TO ANY CIRRUS LOGIC PRODUCT THAT IS USED IN SUCH A MANNER. IF THE CUSTOMER OR CUSTOMER'S CUSTOMER USES OR PERMITS THE USE OF CIRRUS LOGIC PRODUCTS IN CRITICAL APPLICATIONS, CUSTOMER AGREES, BY SUCH USE, TO FULLY INDEMNIFY CIRRUS LOGIC, ITS OFFICERS, DIRECTORS, EMPLOYEES, DISTRIBUTORS AND OTHER AGENTS FROM ANY AND ALL LIABILITY, INCLUDING ATTORNEYS' FEES AND COSTS, THAT MAY RESULT FROM OR ARISE IN CONNECTION WITH THESE USES.

This document is the property of Cirrus Logic, and you may not use this document in connection with any legal analysis concerning Cirrus Logic products described herein. No license to any technology or intellectual property right of Cirrus Logic or any third party is granted herein, including but not limited to any patent right, copyright, mask work right, or other intellectual property rights. Any provision or publication of any third party's products or services does not constitute Cirrus Logic's approval, license, warranty or endorsement thereof. Cirrus Logic gives consent for copies to be made of the information contained herein only for use within your organization with respect to Cirrus Logic integrated circuits or other products of Cirrus Logic, and only if the reproduction is without alteration and is accompanied by all associated copyright, proprietary and other notices and conditions (including this notice). This consent does not extend to other copying such as copying for general distribution, advertising or promotional purposes, or for creating any work for resale. This document and its information is provided "AS IS" without warranty of any kind (express or implied). All statutory warranties and conditions are excluded to the fullest extent possible. No responsibility is assumed by Cirrus Logic for the use of information herein, including use of this information as the basis for manufacture or sale of any items, or for infringement of patents or other rights of third parties. Cirrus Logic, Cirrus, the Cirrus Logic logo design, and SoundClear are among the trademarks of Cirrus Logic. Other brand and product names may be trademarks or service marks of their respective owners.

Copyright © 2014–2018 Cirrus Logic, Inc. All rights reserved.

SLIMbus is a trademark or registered trademark of MIPI Alliance, Inc.

SPI is a trademark of Motorola.

**REVISION HISTORY**

DATE	REV	DESCRIPTION OF CHANGES	PAGE	CHANGED BY
23/01/14	2.0	Initial version		PH
13/06/14	3.0	Additional notes on SLIMbus Value Map & Information Map. JTAG Interface input pins all have internal pull-down resistors. Clarification of the TRIG_ON_STARTUP (automatic sample rate detection) behaviour. Typical performance data (power consumption and latency) added.	161-170 10, 305, 309 256 27, 28	PH
06/05/15	3.1	Clarification of LDOENA & LDOVDD pin requirements. Electrical Characteristics updated. Thermal characteristics data added. Power consumption data updated. Correction to PWMn_LVL description. Updates to DSP Clocking registers and controls. Added description of DSP DMA functions. Class-D phase inversion noted. Clarification to the AEC Loopback path description. Bus-keeper function on GPIO pins is removed. Clarification of Sleep Mode control using external DCVDD (not LDO1). Clocking required for FLL Interrupt. Updated recommendations for DCVDD decoupling.		PH
11/01/16	4.0	Clarification of DCVDD, GPSWA, GPSWB voltage limits Electrical Characteristics updated. Power consumption data updated (earpiece and speaker playback) Sample Rate control requirements updated (*RATE, *FSL, *FSH) Clarification of SLIMbus requirements for different TP options. Recommended SLIMbus subframe mode (SM) selection noted. FLL set-up procedure updated Correction to FLLn_SS_SEL description. Noted constraints for using WSEQ_START to trigger WSEQ.	14, 22 19-21 29 102-120 168 173 276-278 287 296	PH
30/11/16	4.1	FLL configuration and example settings updated.	275-290	PH
04/04/18	4.2	ANC amended to mono function only	1-2, 44-46, 51-55, 61, 140, 181-185, 364	PH