

## 4-BIT SINGLE CHIP MICROCONTROLLER

The μPD17P108 is a tiny microcontroller consisting of a 1K-byte ROM, 16-word RAM, and 16 input/output ports. It is a one-time PROM version of the μPD17108, whose internal mask ROM is replaced with a one-time PROM.

Two μPD17P108 models are available: μPD17P108CS and μPD17P108GS, which allow a program to be written only once. They are suitable for evaluation of μPD17108 and for small-scale production.

The 17K architecture of the CPU uses general registers so that data memory can be manipulated directly for effective programming. Every instruction is 1 word long, consisting of 16 bits.

### FEATURES

- Compatible with the μPD17108
- Program memory (one-time PROM) : 1K bytes (512 words x 16 bits)
- Data memory (RAM) : 16 words x 4 bits
- Input/output ports : 16 ports (including four N-ch open-drain outputs)
- Instruction execution time : 128 μs (62.5 kHz) to 8 μs (1 MHz)
- Number of instructions : 24 (Each instruction is 1 word long.)
- Stack level : 1
- A standby function is supported (with the STOP and HALT instructions).
- Data memory can retain data on low voltage (2.0 V at minimum).
- An oscillator is included for the system clock. (Only resistors are mounted externally.)
- Operating supply voltage : 2.5 to 6.0 V (at 250 kHz)  
4.5 to 6.0 V (at 1 MHz)

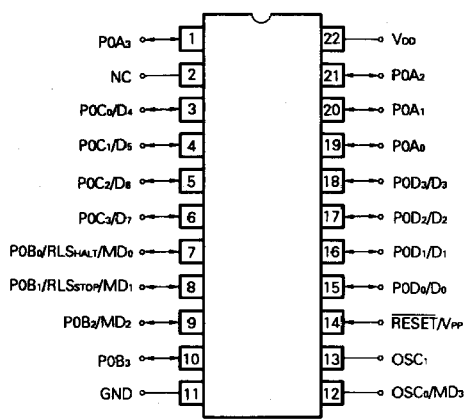
### APPLICATIONS

- Controlling electric appliances or toys

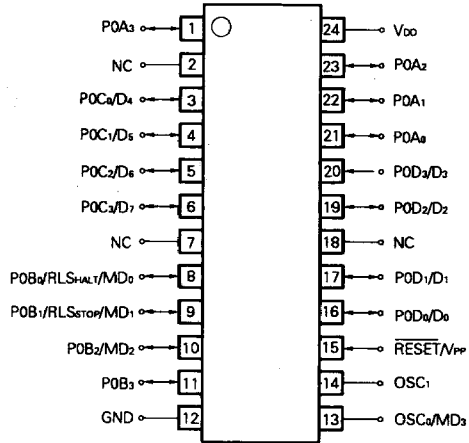
### ORDERING INFORMATION

Order Code	Package
μPD17P108CS	22-pin plastic shrink DIP (300 mil)
μPD17P108GS	24-pin plastic SOP (300 mil)

**PIN CONFIGURATION (Top View)**

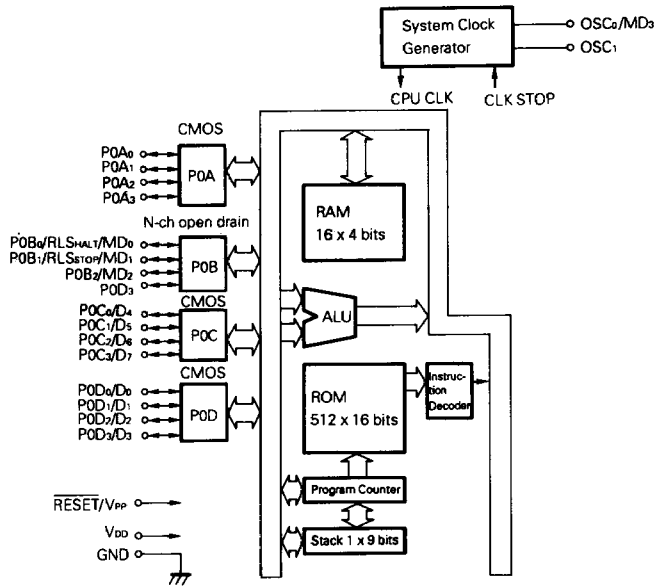


22-pin plastic shrink DIP



24-pin plastic SOP

**BLOCK DIAGRAM**



## PIN FUNCTIONS

### Pin Functions

- Port pins

Pin name	Input/output	Dual function pin		Function		When writing to program memory or verifying its contents	When reset
POA <sub>0</sub>	Input/output			CMOS (push-pull) 4-bit input/output port (port 0A)		Pull down	High impedance (input mode)
POA <sub>1</sub>							
POA <sub>2</sub>							
POA <sub>3</sub>							
POB <sub>0</sub>	Input/output	RLS <sub>HALT</sub>	MD <sub>0</sub>	N-ch open-drain 4-bit input/output port (port 0B)	For the HALT mode releasing	Mode selection pin	High impedance (input mode)
POB <sub>1</sub>		RLS <sub>STOP</sub>	MD <sub>1</sub>		For the STOP mode releasing		
POB <sub>2</sub>		MD <sub>2</sub>					
POB <sub>3</sub>					Pull down		
POC <sub>0</sub>	Input/output	D <sub>4</sub>		CMOS (push-pull) 4-bit input/output port (port 0C)		8-bit data input/output pin (high-order 4 bits)	High impedance (input mode)
POC <sub>1</sub>		D <sub>5</sub>					
POC <sub>2</sub>		D <sub>6</sub>					
POC <sub>3</sub>		D <sub>7</sub>					
POD <sub>0</sub>	Input/output	D <sub>0</sub>		CMOS (push-pull) 4-bit input/output port (port 0D)		8-bit data input/output pin (low-order 4 bits)	High impedance (input mode)
POD <sub>1</sub>		D <sub>1</sub>					
POD <sub>2</sub>		D <sub>2</sub>					
POD <sub>3</sub>		D <sub>3</sub>					

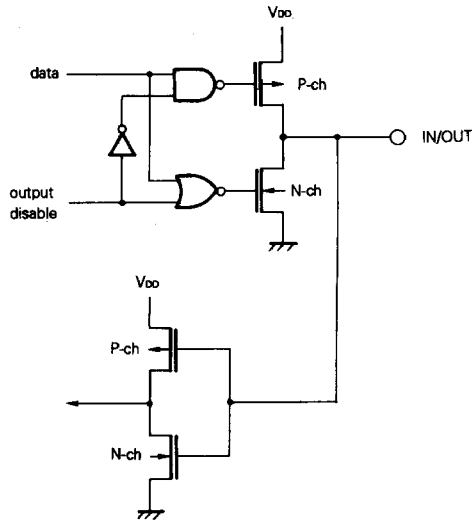
- Non-port pins

Pin name	Input/output	Dual Function pin	Function	When writing to program memory or verifying its contents
RESET	Input	V <sub>PP</sub>	System reset input pin	Voltage is applied to this pin (+12.5 V)
V <sub>DD</sub>			Positive power supply pin	Positive power supply pin (+6.0 V)
GND			GND pin	GND pin
OSC <sub>1</sub>			Pins to be connected to the system clock resonator	Program memory address update
OSC <sub>0</sub>		MD <sub>3</sub>	Pins to be connected to the system clock resonator	
NC			NC pin is not connected internally.	Mode selection pin

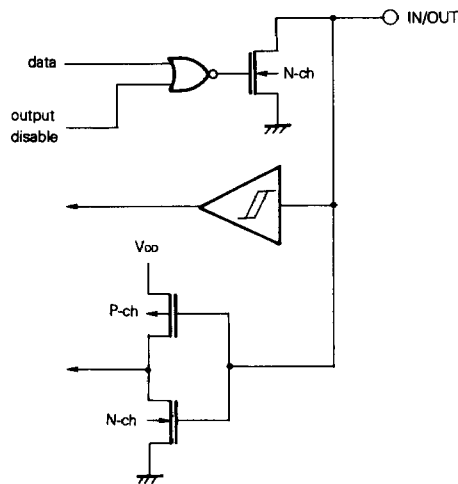
PIN INPUT/OUTPUT CIRCUITS

Following are schematics of the input/output circuits of the pins of the μPD17P108.

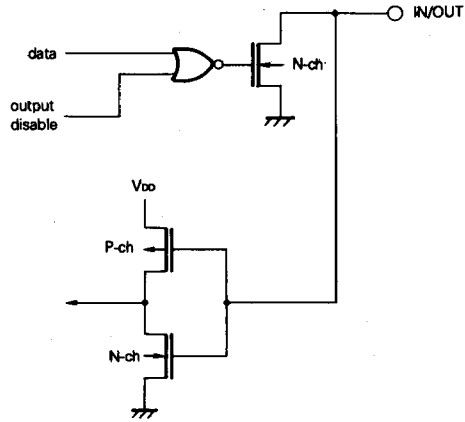
(1) P0A, P0C, and P0D



(2) P0B<sub>0</sub> and P0B<sub>1</sub>

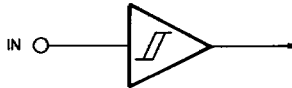


### (3) P0B<sub>2</sub> and P0B<sub>3</sub>



2

### (4) RESET



## μPD17P108

### 10. WRITING TO AND VERIFYING ONE-TIME PROM (PROGRAM MEMORY)

The μPD17P108's internal program memory consists of a 512 x 16 bit one-time PROM.

Writing to the one-time PROM or verifying the contents of the PROM is accomplished using the pins shown in the table below. Note that address inputs are not used; instead, the address is updated using the clock input from the OSC<sub>1</sub> pin.

Pin name	Function
V <sub>PP</sub>	Voltage is applied to this pin when writing to program memory or verifying its contents.
OSC <sub>1</sub>	Input pin for address update clock used when writing to program memory or verifying its contents
MD <sub>0</sub> to MD <sub>3</sub>	Pins that turn to input pins and are used as operation mode selection pins when writing to program memory or verifying its contents
D <sub>0</sub> to D <sub>7</sub>	Input/output pins for 8-bit data used when writing to program memory or verifying its contents

#### 10.1 PROGRAM MEMORY WRITE/VERIFY MODES

If +6 V is applied to the V<sub>DD</sub> pin and +12.5 V is applied to the V<sub>PP</sub> pin after a certain duration of reset status (V<sub>DD</sub> = 5 V,  $\overline{\text{RESET}} = 0$  V), the μPD17P108 enters program memory write/verify mode. A specific operating mode is then selected by setting the MD<sub>0</sub> through MD<sub>3</sub> pins as follows. Set the other unused pins to GND level by means of pull-down resistors.

Operating mode specification						Operating mode
V <sub>PP</sub>	V <sub>DD</sub>	MD <sub>0</sub>	MD <sub>1</sub>	MD <sub>2</sub>	MD <sub>3</sub>	
+12.5 V	+6 V	H	L	H	L	Program memory address clear mode
		L	H	H	H	Write mode
		L	L	H	H	Verify mode
		H	x	H	H	Program inhibit mode

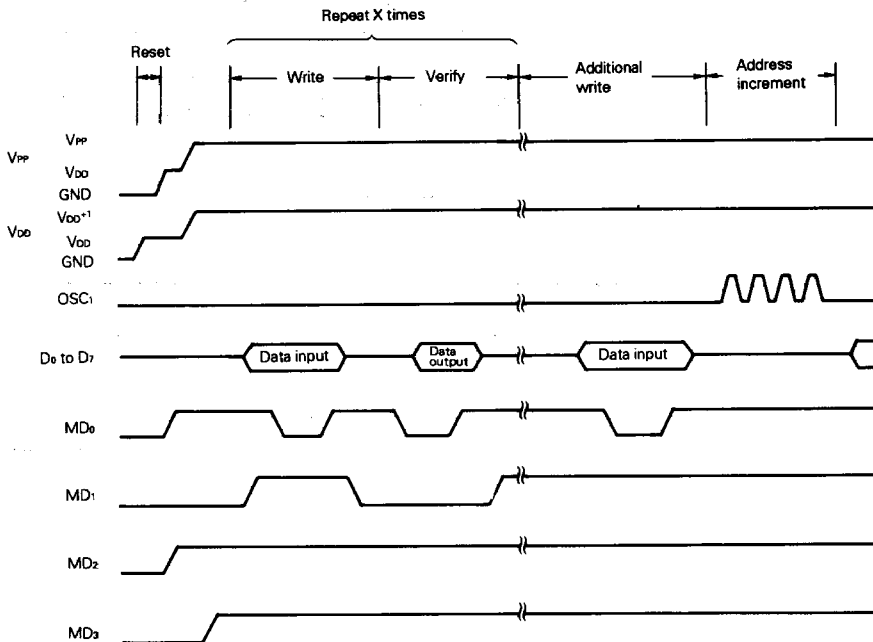
x : L (low) or H (high)

## 10.2 WRITING TO PROGRAM MEMORY

The procedure for writing to program memory is described below; high-speed write is possible.

- (1) Pull low the levels on all unused pins to GND by means of resistors. Bring OSC<sub>1</sub> to low level.
- (2) Apply 5 V to V<sub>DD</sub> and bring V<sub>PP</sub> to low level.
- (3) Wait 10 μs. Then apply 5 V to V<sub>PP</sub>
- (4) Set the mode selection pins to program memory address clear mode.
- (5) Apply 6 V to V<sub>DD</sub> and 12.5 V to V<sub>PP</sub>.
- (6) Select program inhibit mode.
- (7) Write data in 1 ms write mode.
- (8) Select program inhibit mode.
- (9) Select verify mode. If the write operation is found successful, proceed to step (10). If the operation is found unsuccessful, repeat steps (7) to (9).
- (10) Perform additional write for (number of repetitions of steps (7) to (9) x 1 ms).
- (11) Select program inhibit mode.
- (12) Increment the program memory address by one on reception of four pulses on the OSC<sub>1</sub> pin.
- (13) Repeat steps (7) to (12) until the last address is reached.
- (14) Select program memory address clear mode.
- (15) Apply 5 V to the V<sub>DD</sub> and V<sub>PP</sub> pins.
- (16) Turn power off.

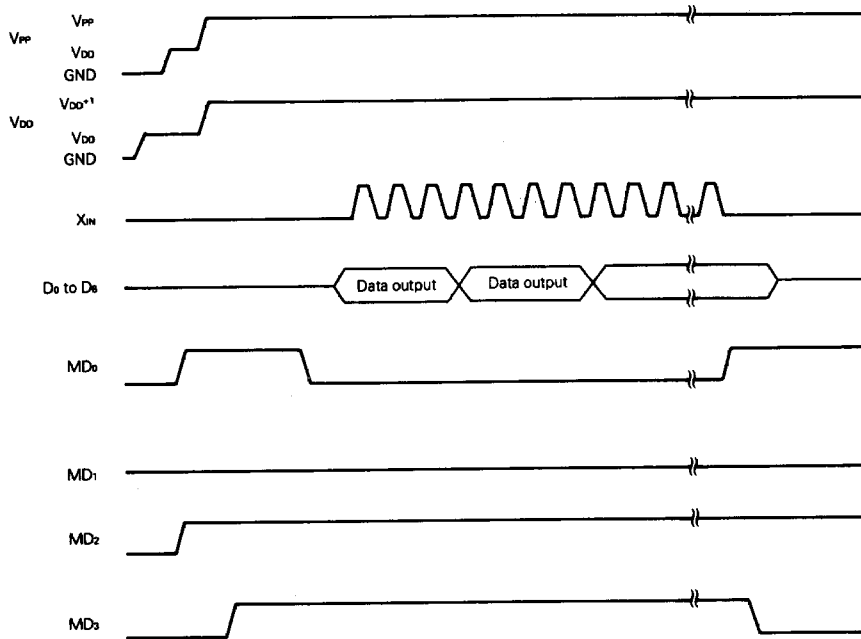
The timing for steps (2) to (12) is shown below.



10.3 READING PROGRAM MEMORY

- (1) Pull low the levels of all unused pins to GND by means of resistors. Bring OSC<sub>1</sub> to low level.
- (2) Apply 5 V to V<sub>DD</sub> and bring V<sub>PP</sub> to low level.
- (3) Wait 10 μs. Then apply 5 V to V<sub>PP</sub>
- (4) Set the mode selection pins to program memory address clear mode.
- (5) Apply 6 V to V<sub>DD</sub> and 12.5 V to V<sub>PP</sub>
- (6) Select program inhibit mode.
- (7) Select verify mode. Data is output sequentially one address at a time for each cycle of four clock pulses on the OSC<sub>1</sub> pin.
- (8) Select program inhibit mode.
- (9) Select program memory address clear mode.
- (10) Apply 5 V to the V<sub>DD</sub> and V<sub>PP</sub> pins.
- (11) Turn power off.

The timing for steps (2) to (9) is shown below.





### 11. ASSEMBLER RESERVED WORDS

Table 11-1 lists the reserved words defined in the μPD17P108 device file (AS17108).

**Table 11-1 Reserved Words**

Name	Attribute	Value	Read/write	Description
POA0	FLG	0.70H.0	Read/write	Bit 0 of port 0A
POA1	FLG	0.70H.1	Read/write	Bit 1 of port 0A
POA2	FLG	0.70H.2	Read/write	Bit 2 of port 0A
POA3	FLG	0.70H.3	Read/write	Bit 3 of port 0A
POB0	FLG	0.71H.0	Read/write	Bit 0 of port 0B
POB1	FLG	0.71H.1	Read/write	Bit 1 of port 0B
POB2	FLG	0.71H.2	Read/write	Bit 2 of port 0B
POB3	FLG	0.71H.3	Read/write	Bit 3 of port 0B
POC0	FLG	0.72H.0	Read/write	Bit 0 of port 0C
POC1	FLG	0.72H.1	Read/write	Bit 1 of port 0C
POC2	FLG	0.72H.2	Read/write	Bit 2 of port 0C
POC3	FLG	0.72H.3	Read/write	Bit 3 of port 0C
POD0	FLG	0.73H.0	Read/write	Bit 0 of port 0D
POD1	FLG	0.73H.1	Read/write	Bit 1 of port 0D
POD2	FLG	0.73H.2	Read/write	Bit 2 of port 0D
POD3	FLG	0.73H.3	Read/write	Bit 3 of port 0D
BCD	FLG	0.7EH.0	Read/write	BCD arithmetic flag
PSW	MEM	0.7FH	Read/write	Program status word
Z	FLG	0.7FH.1	Read/write	Zero flag
CY	FLG	0.7FH.2	Read/write	Carry flag
CMP	FLG	0.7FH.3	Read/write	Compare flag

**12. INSTRUCTION SET**

**12.1 INSTRUCTION SET LIST**

b <sub>14</sub> -b <sub>11</sub>		b <sub>15</sub>		0		1	
		BIN	HEX				
0 0 0 0	0	ADD	r, m	ADD	m, #i		
0 0 0 1	1	SUB	r, m	SUB	m, #i		
0 0 1 0	2	ADDC	r, m	ADDC	m, #i		
0 0 1 1	3	SUBC	r, m	SUBC	m, #i		
0 1 0 0	4	AND	r, m	AND	m, #i		
0 1 0 1	5	XOR	r, m	XOR	m, #i		
0 1 1 0	6	OR	r, m	OR	m, #i		
0 1 1 1	7	RET					
		RETSK					
		RORC	r				
		STOP	s				
		HALT	h				
		NOP					
1 0 0 0	8	LD	r, m	ST	m, r		
1 0 0 1	9	SKE	m, #i	SKGE	m, #i		
1 0 1 0	A						
1 0 1 1	B	SKNE	m, #i	SKLT	m, #i		
1 1 0 0	C	BR	addr	CALL	addr		
1 1 0 1	D			MOV	m, #i		
1 1 1 0	E			SKT	m, #n		
1 1 1 1	F			SKF	m, #n		

## 12.2 INSTRUCTIONS

### Legend:

M	: One of data memory	n	: Bit position : 4 bits
m	: Data memory address specified by $[m_H, m_L]$ of each bank	addr	: One of program memory address : 11 bits
$m_H$	: Data memory address high (row address) : 3 bits	$a_H$	: Program memory address high : 3 bits
$m_L$	: Data memory address low (column address) : 4 bits	$a_M$	: Program memory address middle : 4 bits
R	: One of general register specified by $[(RP), r]$	$a_L$	: Program memory address low : 4 bits
r	: General register address low (column address) : 4 bits	CY	: Carry flag
RP	: General register pointer	CMP	: Compare flag
PC	: Program counter	s	: Stop release condition
SP	: Stack pointer	h	: Halt release condition
STACK	: Stack specified by (SP)	[ ]	: Address of M,R
i	: Immediate data : 4 bits	( )	: Contents of M,R

2

Type	Mnemonic	Operand	Function	Operation	Machine code			
					Op code	3 bits	4 bits	4 bits
Add	ADD	r,m	Add memory to register	$R ← (R) + (M)$	0000	$m_H$	$m_L$	r
		m,#i	Add immediate data to memory	$M ← (M) + i$	1000	$m_H$	$m_L$	i
	ADDC	r,m	Add memory to register with carry	$R ← (R) + (M) + (CY)$	00010	$m_H$	$m_L$	r
		m,#i	Add immediate data to memory with carry	$R ← (M) + i + (CY)$	10010	$m_H$	$m_L$	i
Subtract	SUB	r,m	Subtract memory from register	$R ← (R) - (M)$	00001	$m_H$	$m_L$	r
		m,#i	Subtract immediate data from memory	$M ← (M) - i$	10001	$m_H$	$m_L$	i
	SUBC	r,m	Subtract memory from register with borrow	$R ← (R) - (M) - (CY)$	00011	$m_H$	$m_L$	r
		m,#i	Subtract immediate data from memory with borrow	$M ← (M) - i - (CY)$	10011	$m_H$	$m_L$	i
Compare	SKE	m,#i	Skip if memory equal to immediate data	$M - i$ , skip if zero	01001	$m_H$	$m_L$	i
	SKGE	m,#i	Skip if memory greater than or equal to immediate data	$M - i$ , skip if not borrow	11001	$m_H$	$m_L$	i
	SKLT	m,#i	Skip if memory less than immediate data	$M - i$ , skip if borrow	11011	$m_H$	$m_L$	i
	SKNE	m,#i	Skip if memory not equal to immediate data	$M - i$ , skip if not zero	01011	$m_H$	$m_L$	i
Logical operation	AND	m,#i	Logical AND of memory and immediate data	$M ← (M) AND i$	10100	$m_H$	$m_L$	i
		r,m	Logical AND of register and memory	$R ← (R) AND (M)$	00100	$m_H$	$m_L$	r
	OR	m,#i	Logical OR of memory and immediate data	$M ← (M) OR i$	10110	$m_H$	$m_L$	i
		r,m	Logical OR of register and memory	$R ← (R) OR (M)$	00110	$m_H$	$m_L$	r
XOR	m,#i	Logical XOR of memory and immediate data	$M ← (M) XOR i$	10101	$m_H$	$m_L$	i	
	r,m	Logical XOR of register and memory	$R ← (R) XOR (M)$	00101	$m_H$	$m_L$	r	
Transfer	LD	r,m	Load memory of register	$R ← (M)$	01000	$m_H$	$m_L$	r
	ST	m,r	Store register to memory	$(M) ← R$	11000	$m_H$	$m_L$	r
	MOV	m,#i	Move immediate data to memory	$M ← i$	11101	$m_H$	$m_L$	i
Test	SKT	m,#n	Test memory bits, then skip if all bits specified are true	$CMP ← 0$ skip if $M_n = \text{all "1"}$	11110	$m_H$	$m_L$	n
	SKF	m,#n	Test memory bits, then skip if all bits specified are false	$CMP ← 0$ skip if $M_n = \text{all "0"}$	11111	$m_H$	$m_L$	n

Type	Mnemonic	Operands	Function	Operation	Machine code			
					Op code	3 bits	4 bits	4 bits
Branch	BR	addr	Jump to the address	PC←ADDR	01100	a <sub>H</sub>	a <sub>M</sub>	a <sub>L</sub>
Shift	RORC	r	Rotate register right with carry	(CY)→(R)→CY	00111	000	0111	r
Subroutine	CALL	addr	Call subroutine	SP←(SP) - 1 STACK←((PC) + 1), PC←ADDR	11100	a <sub>H</sub>	a <sub>M</sub>	a <sub>L</sub>
	RET		Return to main routine from subroutine	PC←(STACK), SP←(SP) + 1	00111	000	1110	0000
	RETSK		Return to main routine from subroutine, then skip unconditionary	PC←(STACK), SP←(SP) + 1 and skip	00111	001	1110	0000
Miscellaneous	STOP	s	Stop clock	STOP	00111	010	1111	s
	HALT	h	Halt the CPU, restart by condition h	HALT	00111	011	1111	h
	NOP		No operation	No Operation	00111	100	1111	0000

### 13. ELECTRICAL CHARACTERISTICS

#### ABSOLUTE MAXIMUM RATINGS (T<sub>a</sub> = 25 °C)

Supply Voltage	V <sub>DD</sub>			-0.3 to +7.0	V
Supply Voltage	V <sub>FP</sub>			-0.3 to +13.5	V
Input Voltage	V <sub>I</sub>	P0A, P0C, P0D		-0.3 to V <sub>DD</sub> +0.3	V
		P0B		-0.3 to +11	V
Output Voltage	V <sub>O</sub>	P0A, P0C, P0D		-0.3 to V <sub>DD</sub> +0.3	V
		P0B		-0.3 to +11	V
High-Level output Current	I <sub>OH</sub>	Each of P0A, P0B, P0C, P0D		-5	mA
		Total of all pins		-15	mA
Low-Level output Current	I <sub>OL</sub>	Each of P0A, P0B, P0C, P0D		30	mA
		Total of all pins		100	mA
Operating Temperature	T <sub>opt</sub>			-40 to +85	°C
Storage Temperature	T <sub>stg</sub>			-65 to +150	°C
Power Consumption	P <sub>d</sub>	T <sub>a</sub> = 85 °C	22-pin shrink DIP	400	mW
			24-pin SOP	250	

#### CAPACITY (T<sub>a</sub> = 25 °C, V<sub>DD</sub> = 0 V)

CHARACTERISTICS	SYMBOL	MIN.	TYP.	MAX.	UNIT	CONDITION
Input Capacitance	C <sub>IN</sub>			15	pF	f = 1 MHz
Input/Output Capacitance	C <sub>IO</sub>			15	pF	0 V for pins other than pins to be measured

DC CHARACTERISTICS (T<sub>a</sub> = -40 to +85 °C, V<sub>DD</sub> = 2.5 to 6.0 V)

CHARACTERISTICS	SYMBOL	MIN.	TYP.	MAX.	UNIT	CONDITION
High-Level Input Voltage	V <sub>IH1</sub>	0.7 V <sub>DD</sub>		V <sub>DD</sub>	V	Other than the following pins and port
	V <sub>IH2</sub>	0.8 V <sub>DD</sub>		V <sub>DD</sub>	V	P0B and RESET
	V <sub>IH3</sub>	0.8 V <sub>DD</sub>		9	V	P0B (*)
	V <sub>IH4</sub>	V <sub>DD</sub> - 0.5		V <sub>DD</sub>	V	OSC1
Low-Level Input Voltage	V <sub>IL1</sub>	0		0.3 V <sub>DD</sub>	V	Other than the following pins and port
	V <sub>IL2</sub>	0		0.2 V <sub>DD</sub>	V	P0B and RESET
	V <sub>IL3</sub>	0		0.5	V	OSC1
High-Level Output Voltage on P0A, P0C, and P0D	V <sub>OH</sub>	V <sub>DD</sub> - 2.0			V	V <sub>DD</sub> = 4.5 to 6.0 V, I <sub>OH</sub> = -2 mA
		V <sub>DD</sub> - 1.0			V	I <sub>OH</sub> = -200 μA
Low-Level Output Voltage on P0A, P0B, P0C, and P0D	V <sub>OL</sub>			2.0	V	V <sub>DD</sub> = 4.5 to 6.0 V, I <sub>OL</sub> = 15 mA
				0.5	V	I <sub>OL</sub> = 600 μA
High-Level Input Leakage Current on P0A to P0D	I <sub>LIH1</sub>			5	μA	V <sub>IN</sub> = V <sub>DD</sub>
	I <sub>LIH2</sub>			10	μA	V <sub>IN</sub> = 9 V (*)
Low-Level Input Leakage Current on P0A to P0D	I <sub>LIL</sub>			-5	μA	V <sub>IN</sub> = 0 V
High-Level Output Leakage Current on P0A to P0D	I <sub>LOH1</sub>			5	μA	V <sub>OUT</sub> = V <sub>DD</sub>
	I <sub>LOH2</sub>			10	μA	V <sub>OUT</sub> = 9 V (*)
Low-Level Output Leakage Current on P0A to P0D	I <sub>LOL</sub>			-5	μA	V <sub>OUT</sub> = 0 V
Power Supply Current	I <sub>DD1</sub>		0.4	1.2	mA	Operation mode V <sub>DD</sub> = 5 V ±10%, f <sub>CC</sub> = 1.0 MHz ±20%
			50	150	μA	
	I <sub>DD2</sub>		0.3	0.9	mA	HALT mode V <sub>DD</sub> = 5 V ±10%, f <sub>CC</sub> = 1.0 MHz ±20%
			40	120	μA	
	I <sub>DD3</sub>		0.1	10	μA	STOP mode V <sub>DD</sub> = 5 V ±10%
			0.1	5	μA	

\* When N-ch open-drain input/output is selected

### CHARACTERISTICS OF DATA MEMORY FOR HOLDING DATA ON LOW SUPPLY VOLTAGE IN THE STOP MODE ( $T_s = -40$ to $+85$ °C)

CHARACTERISTICS	SYMBOL	MIN.	TYP.	MAX.	UNIT	CONDITION
Data Hold Supply Voltage	$V_{DDDR}$	2.0		6.0	V	
Data Hold Supply Current	$I_{DDDR}$		0.1	5.0	μA	$V_{DDDR} = 2.0$ V
Release Signal Set Time	$t_{SREL}$	0			μS	

2

### AC CHARACTERISTICS ( $T_s = -40$ to $+85$ °C, $V_{DD} = 2.5$ to $6.0$ V)

CHARACTERISTICS	SYMBOL	MIN.	TYP.	MAX.	UNIT	CONDITION
Internal Clock Cycle Time	$T_{CY}$	6.6		160	μS	$V_{DD} = 4.5$ to $6.0$ V
		26.6		160	μS	
High/Low Level Width on P0B <sub>0</sub> and P0B <sub>1</sub>	$T_{PBH}$ $T_{PBL}$	10			μS	
High/Low Level Width on RESET	$T_{RSH}$ $T_{RSL}$	10			μS	

### DC PROGRAMMING CHARACTERISTICS ( $T_s = 25$ °C, $V_{DD} = 6.0 \pm 0.25$ V, $V_{PP} = 12.5 \pm 0.5$ V)

CHARACTERISTICS	SYMBOL	MIN.	TYP.	MAX.	UNIT	CONDITION
Input Voltage High	$V_{IH1}$	$0.7 V_{DD}$		$V_{DD}$	V	Except OSC <sub>1</sub>
	$V_{IH2}$	$V_{DD} - 0.5$		$V_{DD}$	V	OSC <sub>1</sub>
Input Voltage Low	$V_{IL1}$	0		$0.3 V_{DD}$	V	Except OSC <sub>1</sub>
	$V_{IL2}$	0		0.4	V	OSC <sub>1</sub>
Input Leakage Current	$I_U$			10	μA	$V_{IN} = V_{IL}$ or $V_{IH}$
Output Voltage High	$V_{OH}$	$V_{DD} - 1.0$			V	$I_{OH} = -1$ mA
Output Voltage Low	$V_{OL}$			0.4	V	$I_{OL} = 1.6$ mA
$V_{DD}$ Power Supply Current	$I_{DD}$			30	mA	
$V_{PP}$ Power Supply Current	$I_{PP}$			30	mA	MD0 = $V_{IL}$ , MD1 = $V_{IH}$

- Notes
- $V_{PP}$  must be under +13.5 V including overshoot.
  - $V_{DD}$  must be applied before  $V_{PP}$  on and must be off after  $V_{PP}$  off.

AC PROGRAMMING CHARACTERISTICS (T<sub>a</sub> = 25 °C, V<sub>DD</sub> = 6.0 ±0.25 V, V<sub>PP</sub> = 12.5 ±0.5 V)

CHARACTERISTICS	SYMBOL	(*1)	MIN.	TYP.	MAX.	UNIT	CONDITION
Address Set Up Time to MD0↓ (*2)	t <sub>AS</sub>	t <sub>AS</sub>	2			μS	
MD1 Setup Time to MD0↓	t <sub>M1S</sub>	t <sub>OES</sub>	2			μS	
Data Setup Time to MD0↓	t <sub>DS</sub>	t <sub>DS</sub>	2			μS	
Address Hold Time to MD0↑ (*2)	t <sub>AH</sub>	t <sub>AH</sub>	2			μS	
Data Hold Time to MD0↑	t <sub>DH</sub>	t <sub>DH</sub>	2			μS	
Data Output Float Delay Time from MD0↓→	t <sub>DF</sub>	t <sub>DF</sub>	0		130	ns	
V <sub>PP</sub> Setup Time to MD3↑	t <sub>VPS</sub>	t <sub>VPS</sub>	2			μS	
V <sub>DD</sub> Setup Time to MD3↑	t <sub>VDS</sub>	t <sub>VCS</sub>	2			μS	
Initial Program Pulse Width	t <sub>PW</sub>	t <sub>PW</sub>	0.95	1.0	1.05	ms	
Additional Program Pulse Width	t <sub>OPW</sub>	t <sub>OPW</sub>	0.95		21.0	ms	
MD0 Setup Time to MD1↑	t <sub>M0S</sub>	t <sub>CS</sub>	2			μS	
Data Output Delay Time from MD0↓→	t <sub>DOV</sub>	t <sub>DOV</sub>			1	μS	
MD1 Hold Time to MD0↑	t <sub>M1H</sub>	t <sub>OEH</sub>	2			μS	MD0 = MD1 = V <sub>IL</sub>
MD1 Recovery Time to MD0↓	t <sub>M1R</sub>	t <sub>OR</sub>	2			μS	
Program Counter Reset Time	t <sub>PCR</sub>	-	10			μS	t <sub>M1H</sub> = t <sub>M1R</sub> ≥ 50 μS
OSC <sub>1</sub> Input High, Low Level Range	t <sub>OH</sub> t <sub>OL</sub>	-	0.42			μS	
OSC <sub>1</sub> Input Frequency	f <sub>OSC</sub>				1.2	MHz	
Initial Mode Set Time	t <sub>i</sub>	-	2			μS	
MD3 Setup Time to MD1↑	t <sub>M3S</sub>	-	2			μS	
MD3 Hold Time to MD1↓	t <sub>M3H</sub>	-	2			μS	
MD3 Setup Time to MD0↓	t <sub>M3SR</sub>	-	2			μS	Read program memory
Data Output Delay Time From Address (*2)	t <sub>OAD</sub>	-	2			μS	Read program memory
Data Output Hold Time From Address (*2)	t <sub>OAD</sub>	t <sub>ACC</sub>	0		130	ns	Read program memory
MD3 Hold Time to MD0↑	t <sub>M3HR</sub>	t <sub>OH</sub>	2			μS	Read program memory
Data Output float Delay Time From MD3↓→	t <sub>OFR</sub>	-	2			μS	Read program memory
Reset Setup Time	t <sub>RES</sub>	-	10			μS	

\*1 Symbols for corresponding μPD27C256.

\*2 Internal address signal is incremented by one at the falling edge of the third OSC<sub>1</sub> input, and it is not connected to the pin.



