

SPECIFICATIONS

USB 3.0 A TYPE Connector

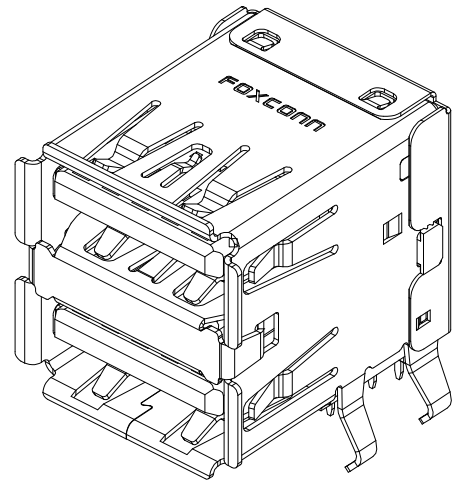
Mechanical

Mating Force: initial 35N (7.87Lb) maximum.
Unmating Force: initial 10N (2.25Lb) Minimum.
Durability: 5000 cycles.

USB3.0 A Series
Right Angle T/H
9 Pos.

Electrical

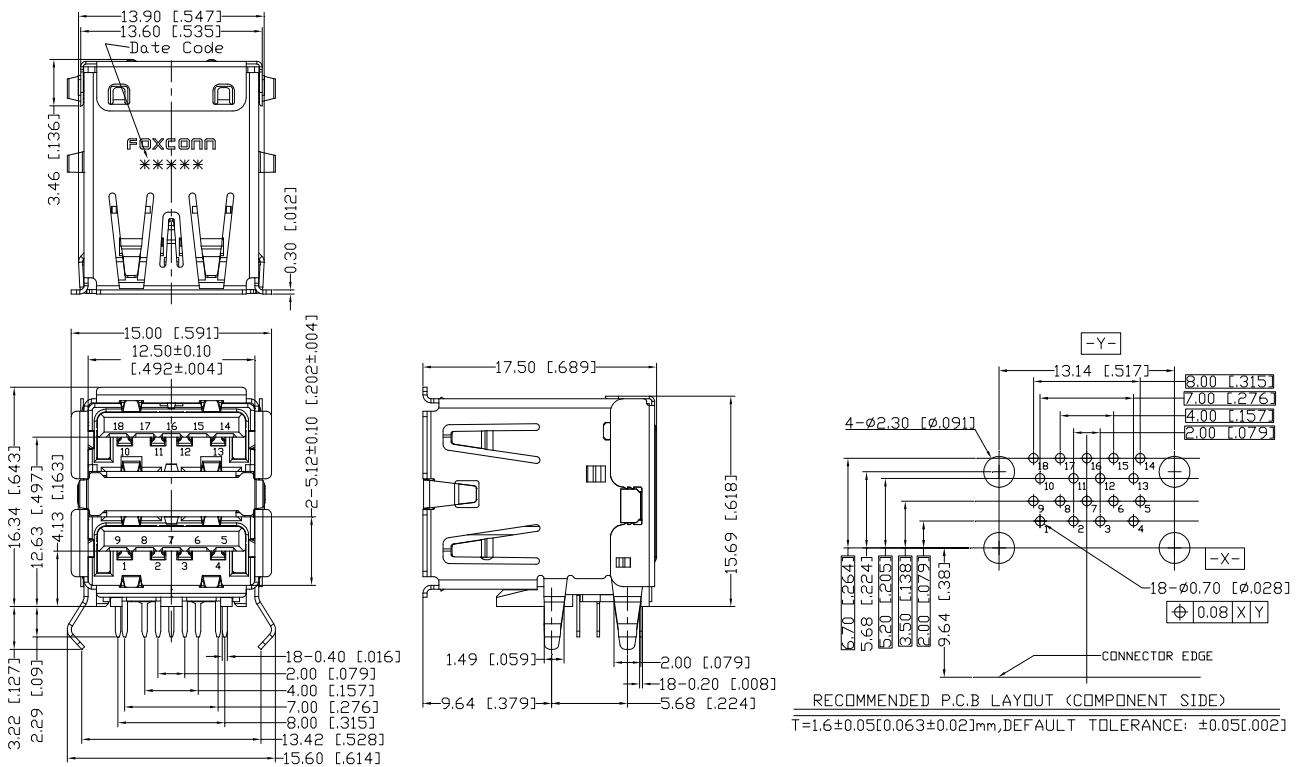
Voltage Rating: 30 V rms maximum.
Current Rating: 1.8A.
Low Level Contact Resistance: Initial:30 mΩ maximum for the Power and Ground (GND) contacts and 50 mΩ maximum for all other contacts .After test:Change from initial value:10mΩ maximum .
Dielectric Withstanding Voltage: 100V AC (Rms.)
Insulation Resistance: Mated plug 100MΩ min. at 100V DC.



Physical

Housing: Thermoplastic, UL 94V-0 rated in blue color
Contact, Shell, Finger and Rear Shell: Copper alloy& steel.
Plating: See "ORDERING INFORMATION"
Solder Pad: Copper alloy& steel.

DRAWING



ORDERING INFORMATION

PRODUCT NO.: UEA 1 1 2 C - 8HS6 - 4 F

Series Prefix: UEA: USB 3.0 A TYPE

Termination Type: 1: Right Angle Type

Connector Type: 1: Female

No. of Contact Position: 1: 9 Pos.

Profile Height: 2: 4.13 mm

Pb Free Code: F: Pb Free

Package Code: 4: Soft Tray Package

Extension Code

Contact Area Plating: C: 30u" Pd/Ni + Gold Flash