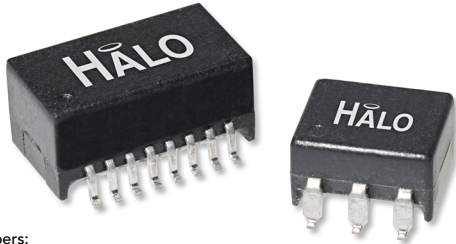


Digital Audio Transformers for Cirrus Logic

Single and Dual Channel Shielded Transformers for Digital Audio



US Patent Numbers:
 5,656,985 6,297,721 B1
 6,297,720 B1 6,320,489 B1
 6,344,785 B1 6,662,431 B1

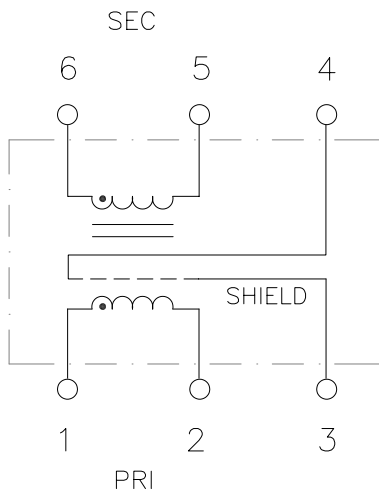
Product Features:

- Designed for Cirrus Logic™ Digital Audio Transceivers
- Robust Patented Open Frame Construction
- Excellent Performance for Professional Digital Audio AES/EBU Applications
- UL/EN60950 and DEMKO recognized
- 100% Compliance Testing

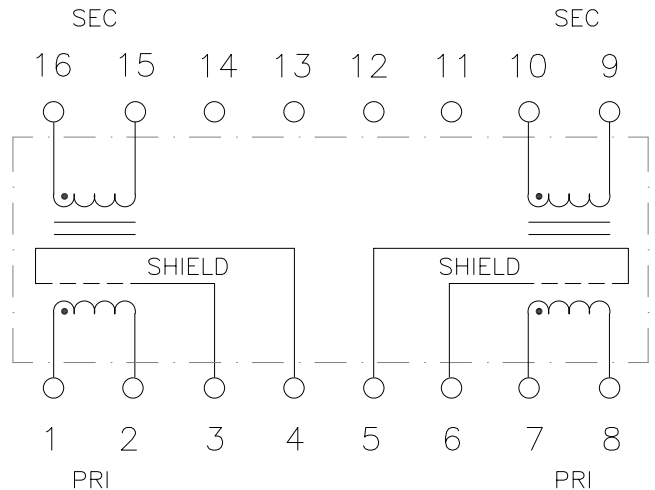
Part Number	Circuit	Package	Channels	OperatingTemp. Range	Turns Ratio	Bandwidth	C _w /w ²	Isolation
TG10-DA1NSLF	A	NS (6-pin)	1	-40 to +85°C	1:1	10kHz - 200MHz	9pF max	1500Vrms
TG10-DA2N5LF	B	N5 (16-pin)	2	-40 to +85°C	1:1, 1:1	10kHz - 200MHz	9pF max	1500Vrms ¹

Notes:
 1. Primary/shield to secondary winding is 1500Vrms, Primary to shield is 500Vrms.
 2. C_w/w when either of the shield pins are grounded. Only one of the shield pins can be grounded.
 3. Cirrus Logic™ is a registered trademark of Cirrus Logic, Inc.

Circuit A

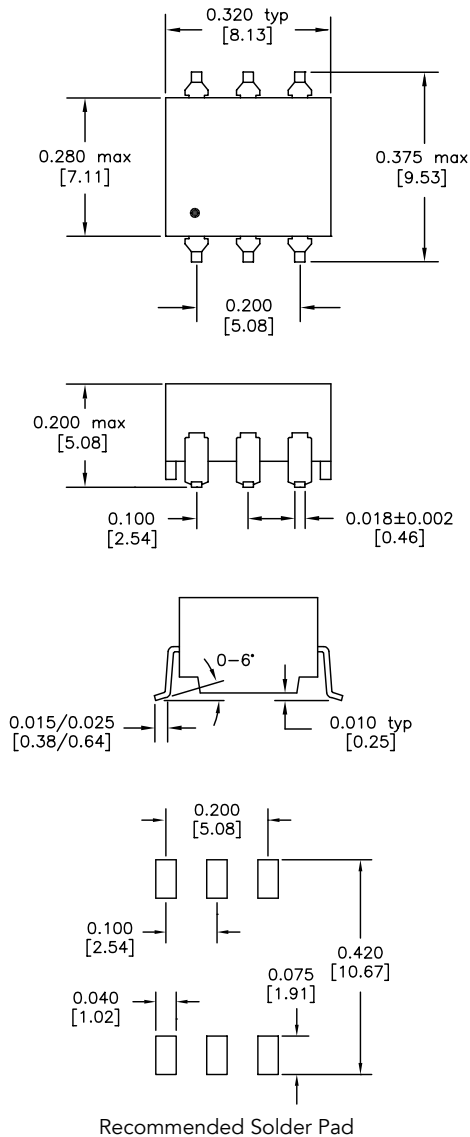


Circuit B

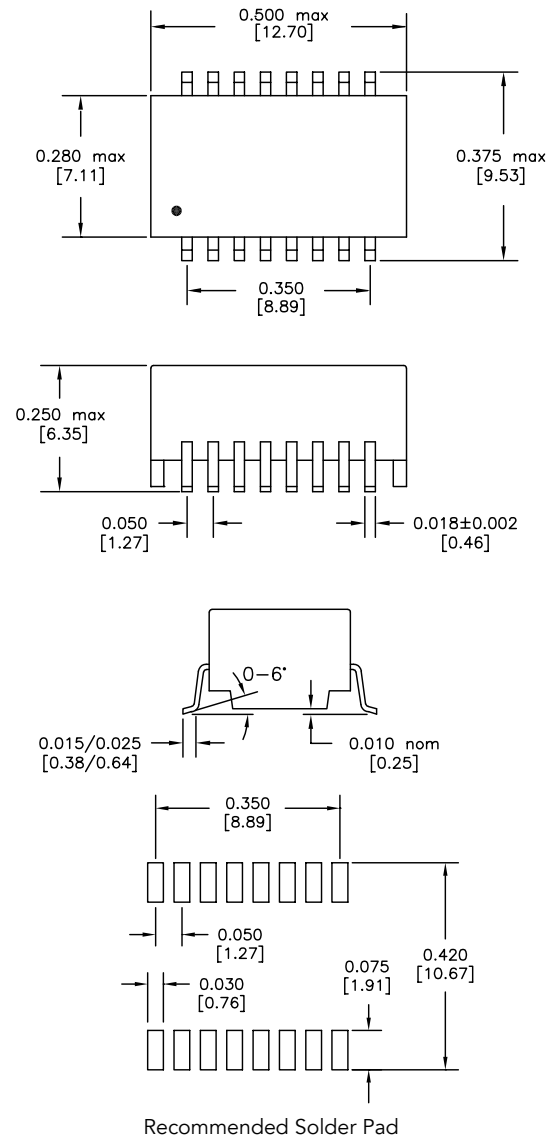


Only one end of the shield can be grounded

Package - NS (6-Pin)



Package - N5 (16-Pin)



Dimensions: inch [mm]
Co-Planarity: 0.004 [0.10]



2880 Lakeside Drive #116
Santa Clara, CA 95054
(650) 903-3800
www.haloelectronics.com

HALO® Electronics is a leading supplier of high quality communication magnetics including signal transformers, filters, CMR chokes, PoE power transformers, DC/DC converters, and integrated Ethernet connectors. HALO's high quality leading edge technology solutions are manufactured in ISO9001 and ISO14001 factories.