



6 CHANNELS VOLUME CONTROLLER

GENERAL DESCRIPTION

The SM7347 is 6 channels electronic volume controlled by 3-wire serial data. The IC is suitable for use in DVD systems and AV.

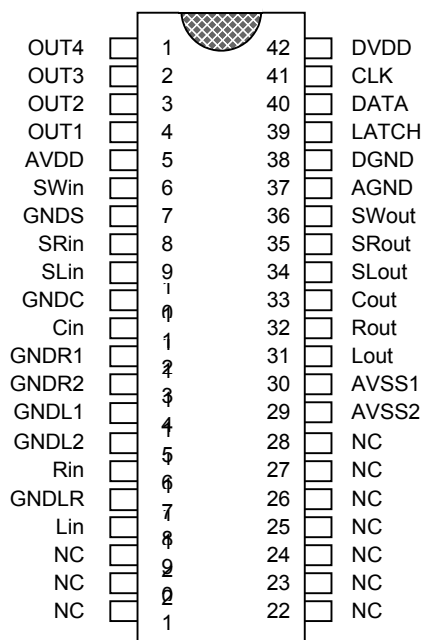
APPLICATIONS

- * DVD
- * Home Audio equipment
- * AV

FEATURES

- * 4 Output ports
- * Built-in microcomputer interface circuit controlled by 16-bit serial data.
- * Electronic volume
Volume level.....0dB~-79dB, -∞dB(1dB/step)

PIN ASSIGNMENTS

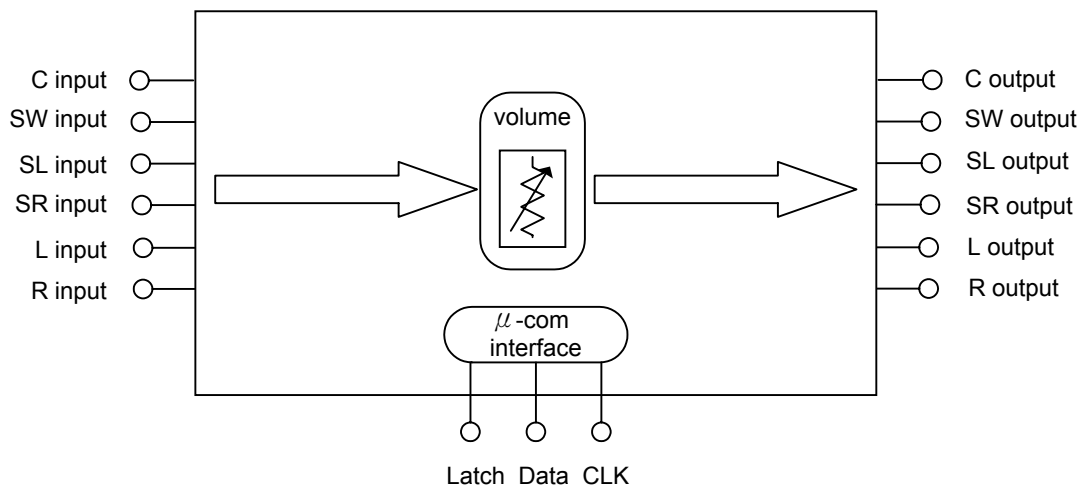


SDIP 42PIN



6 CHANNELS VOLUME CONTROLLER

BLOCK DIAGRAM





6 CHANNELS VOLUME CONTROLLER

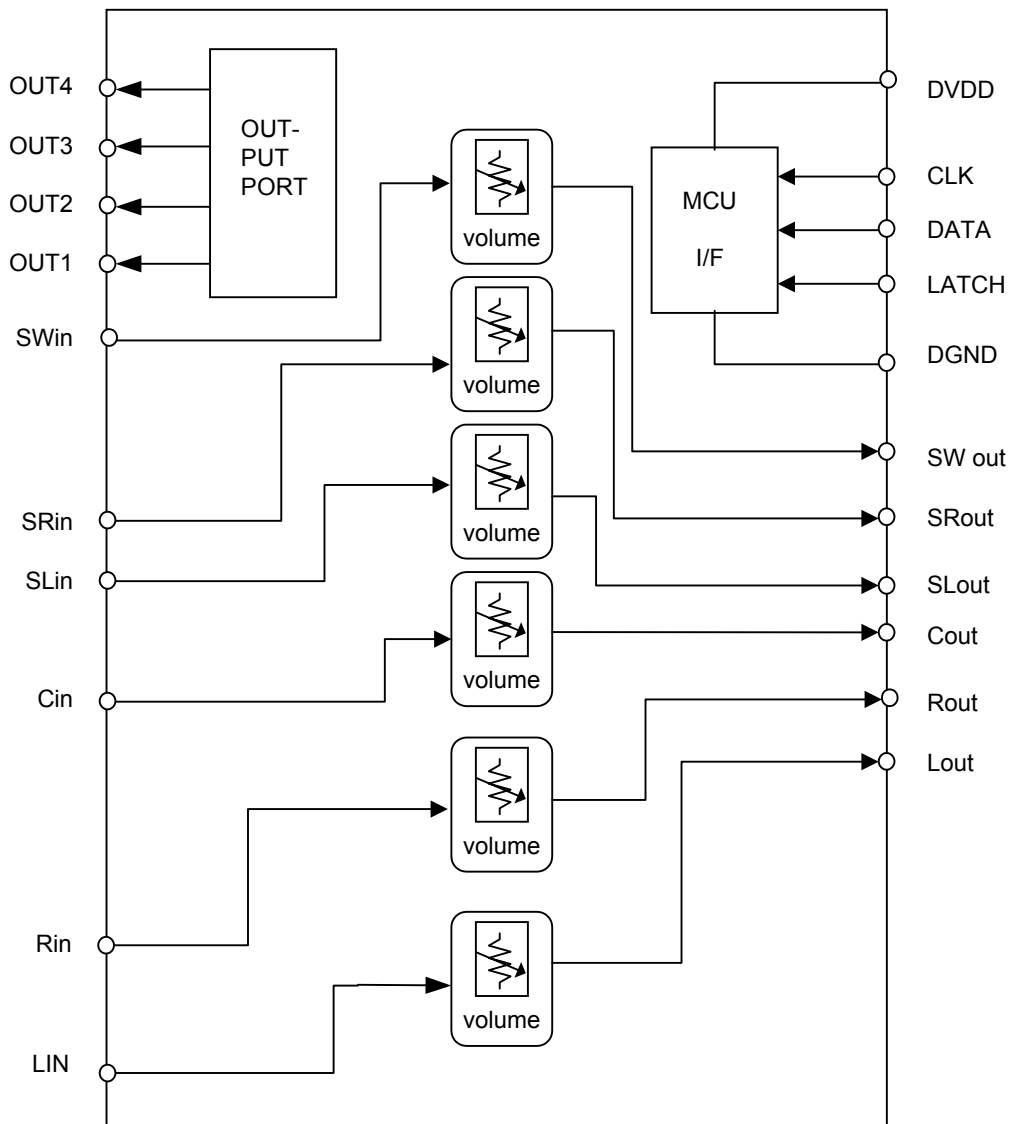
PIN DESCRIPTION (Pin count base on 42pin SDIP)

Pin No.	Symbol	Function	Circuit
1	OUT4	Port OUTPUT	OUTPUT: PMOS Transistor open drain
2	OUT3		
3	OUT2		
4	OUT1		
5	AVDD	Analog positive Power supply	+7V
7	GNDS	GND	Connect to analog GND
10	GNDC		
12	GNDR1		
13	GNDR2		
14	GNDL1		
15	GNDL2		
17	GNDLR		
6	SW in	Volume INPUT	
8	SR in		
9	SL in		
11	C in		
16	R in		
18	L in		
36	SW out	Volume OUTPUT	
35	SR out		
34	SL out		
33	C out		
32	R out		
31	L out		
29	AVSS2	Analog negative Power supply	-7V
30	AVSS1		
37	AGND	Analog GND	
38	DGND	Digital GND	
39	LATCH	Latch INPUT	
40	DATA	Data INPUT	
41	CLK	Clock INPUT Forward data	
42	DVDD	Digital Power supply	+5V



6 CHANNELS VOLUME CONTROLLER

PIN CONFIGURATION AND IC INTERNAL BLOCK DIAGRAM



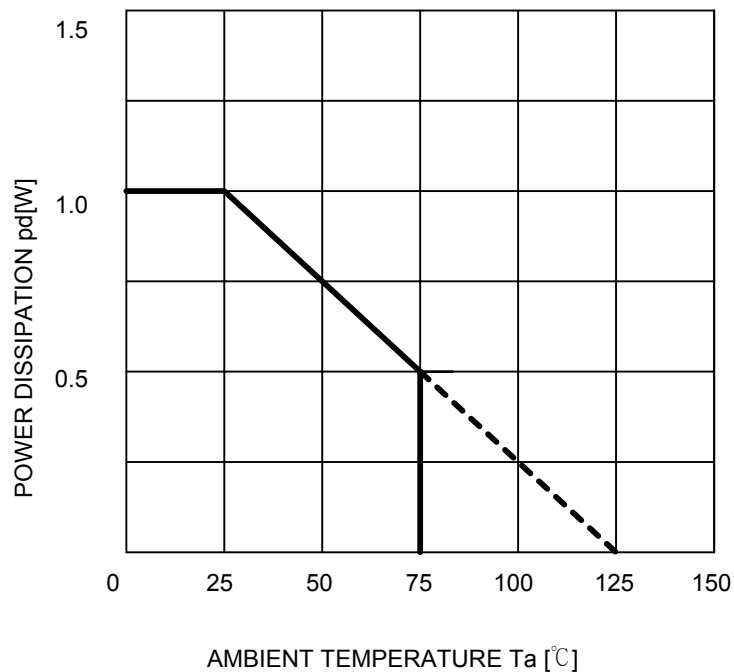


6 CHANNELS VOLUME CONTROLLER

ABSOLUTE MAXIMUM RATINGS

Symbol	Parameter	Conditions	Ratings	Unit
Vsupply	Supply Voltage	AVDD-AVSS	16.0	V
Pd	Power dissipation	Ta≤25°C	1000	mW
K _θ	Thermal derating	Ta>25°C *standard board	10	mW / °C
Topr	Operating temperature		-20~+75	°C
Tstg	Storage temperature		-40~+125	°C

THERMAL DERATING (MAXIMUM RATING)
Standard board





6 CHANNELS VOLUME CONTROLLER

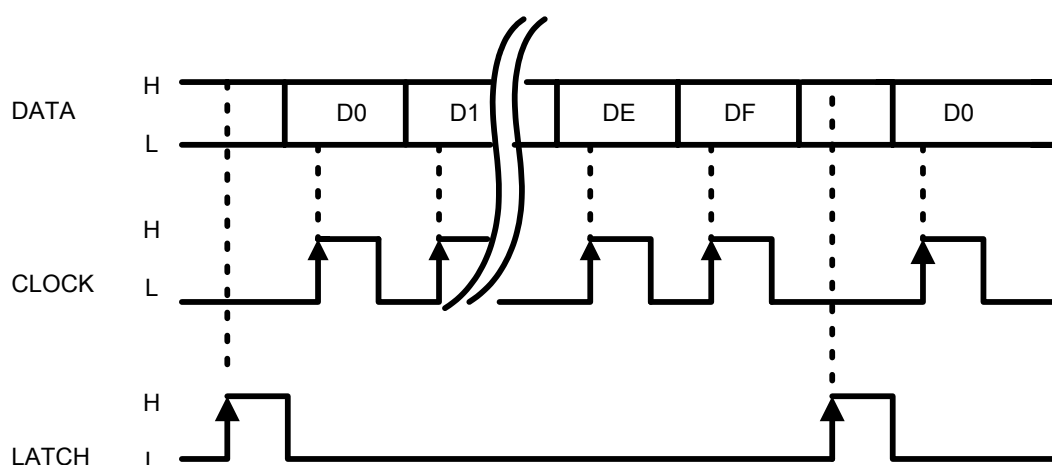
RECOMMENDED OPERATING CONDITION

Parameter	Symbol	Condition	Min.	Typ.	Max.	Unit
Analog positive Supply Voltage	AVDD		6.0	7.0	8.0	V
Analog negative Supply Voltage	AVSS		- 8.0	- 7.0	- 6.0	V
Digital Supply Voltage	DVDD		4.5	5.0	5.5	V
High-level Input Voltage	VIH		DVDD/2+1	—	DVDD	V
Low-level Input Voltage	VIL		DGND	—	DVDD/2-1	V

Note1 : $AVSS \leq DGND < DVDD \leq AVDD$ or $AVSS \leq DGND < AVDD \leq DVDD$

Note2 : $AGND = (AVSS + AVDD) / 2$

DATA TIMING(Recommended conditions)

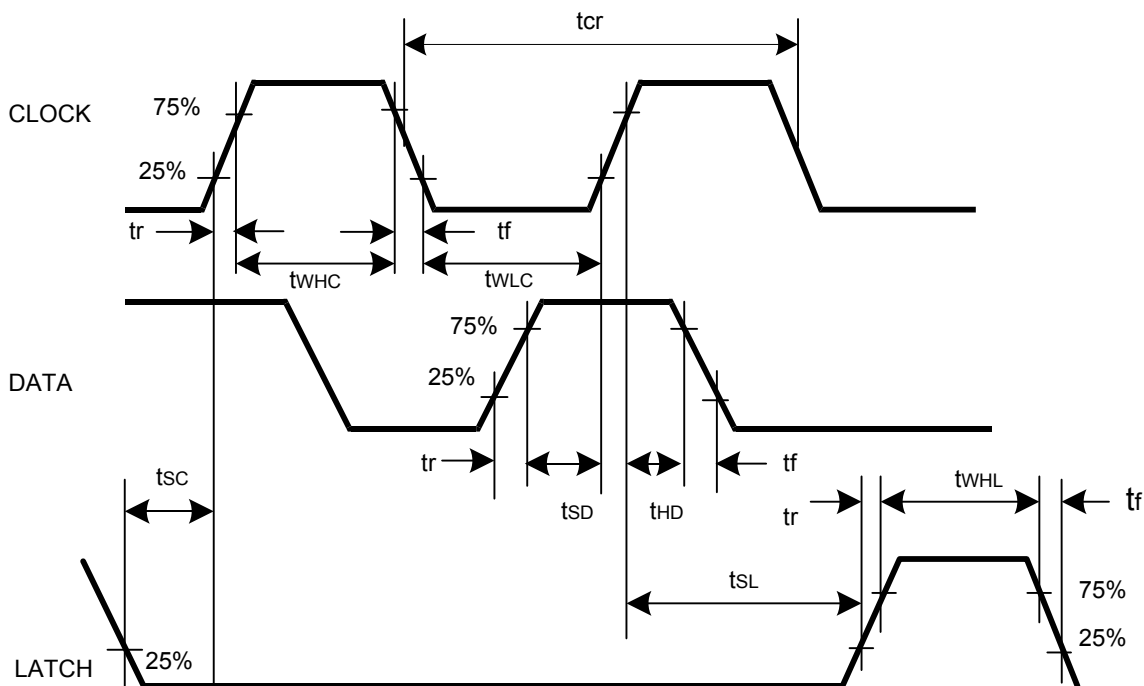


Note: CLOCK and LATCH function at raising edges of pulse.



6 CHANNELS VOLUME CONTROLLER

CLOCK, DATA, LATCH TIMING



DIGITAL BLOCK TIMING REGULATION

Symbol	Parameter	Limits			Unit
		Min	Typ	Max	
t_{cr}	CLOCK cycle time	8	—	—	μ sec
t_{wHC}	CLOCK pulse width("H"level)	3.2	—	—	
t_{wLC}	CLOCK pulse width("L"level)	3.2	—	—	
t_r	CLOCK,DATA,LATCH rise time	—	—	0.8	
t_f	CLOCK,DATA,LATCH fall time	—	—	0.8	
t_{SD}	DATA setup time	1.6	—	—	
t_{HD}	DATA hold time	1.6	—	—	
t_{SL}	LATCH setup time	2	—	—	
t_{wHL}	LATCH pulse width	3.2	—	—	
t_{sc}	CLOCK start time after LATCH	3.2	—	—	



6 CHANNELS VOLUME CONTROLLER

DIGITAL CONTROL SPECIFICATION

Four kinds of input format options are available by changing slot settings of DE and DF.

(1)	D01	D11	D21	D31	D41	D51	D61	D71	D81	D91	DA1	DB1	DC1	DD1	DE	DF	
	0	0	0	0	1	2	3	4	0	0	0	0	0	0	1	0	0
					OUTPUT PORT 1:High 0:Low												

(2)	D02	D12	D22	D32	D42	D52	D62	D72	D82	D92	DA2	DB2	DC2	DD2	DE	DF
	VOLUME Lch							VOLUME Rch							0	1

(3)	D03	D32	D23	D33	D43	D53	D63	D73	D83	D93	DA3	DB3	DC3	DD3	DE	DF
	VOLUME Cch							VOLUME SWch							1	0

(4)	D04	D14	D24	D34	D44	D54	D64	D74	D84	D94	DA4	DB4	DC4	DD4	DE	DF
	VOLUME SLch							VOLUME SRch							1	1

Note:When the IC is powered up, the internal setting of channel output are fixed to - ∞.

SETTING CODE

(1) Port Output

Note: Do not input other data than the above.

		D41	D51	D61	D71
Port 1	0	L	—	—	—
	1	H	—	—	—
Port 2	0	—	L	—	—
	1	—	H	—	—
Port 3	0	—	—	L	—
	1	—	—	H	—
Port 4	0	—	—	—	L
	1	—	—	—	H



6 CHANNELS VOLUME CONTROLLER

(2)-1 Volume (0~-39dB)

Note: Do not input other data than the above.

A T T	Volume		D0X	D1X	D2X	D3X	D4X	D5X	D6X
			D7X	D8X	D9X	DAX	DBX	DCX	DDX
-	0	dB	0	0	0	0	0	0	0
-	1	dB	0	0	0	0	0	0	1
-	2	dB	0	0	0	0	0	1	0
-	3	dB	0	0	0	0	0	1	1
-	4	dB	0	0	0	0	1	0	0
-	5	dB	0	0	0	0	1	0	1
-	6	dB	0	0	0	0	1	1	0
-	7	dB	0	0	0	0	1	1	1
-	8	dB	0	0	0	1	0	0	0
-	9	dB	0	0	0	1	0	0	1
-	10	dB	0	0	0	1	0	1	0
-	11	dB	0	0	0	1	0	1	1
-	12	dB	0	0	0	1	1	0	0
-	13	dB	0	0	0	1	1	0	1
-	14	dB	0	0	0	1	1	1	0
-	15	dB	0	0	0	1	1	1	1
-	16	dB	0	0	1	0	0	0	0
-	17	dB	0	0	1	0	0	0	1
-	18	dB	0	0	1	0	0	1	0
-	19	dB	0	0	1	0	0	1	1
-	20	dB	0	0	1	0	1	0	0
-	21	dB	0	0	1	0	1	0	1
-	22	dB	0	0	1	0	1	1	0
-	23	dB	0	0	1	0	1	1	1
-	24	dB	0	0	1	1	0	0	0
-	25	dB	0	0	1	1	0	0	1
-	26	dB	0	0	1	1	0	1	0
-	27	dB	0	0	1	1	0	1	1
-	28	dB	0	0	1	1	1	0	0
-	29	dB	0	0	1	1	1	0	1
-	30	dB	0	0	1	1	1	1	0
-	31	dB	0	0	1	1	1	1	1
-	32	dB	0	1	0	0	0	0	0
-	33	dB	0	1	0	0	0	0	1
-	34	dB	0	1	0	0	0	1	0
-	35	dB	0	1	0	0	0	1	1
-	36	dB	0	1	0	0	1	0	0
-	37	dB	0	1	0	0	1	0	1
-	38	dB	0	1	0	0	1	1	0
-	39	dB	0	1	0	0	1	1	1



6 CHANNELS VOLUME CONTROLLER

(2)-2 VOLUME (-40 ~ - ∞ dB)

Note: Do not input other data than the above.

A T T	Volume		D0X	D1X	D2X	D3X	D4X	D5X	D6X
			D7X	D8X	D9X	DAX	DBX	DCX	DDX
-	40	dB	0	1	0	1	0	0	0
-	41	dB	0	1	0	1	0	0	1
-	42	dB	0	1	0	1	0	1	0
-	43	dB	0	1	0	1	0	1	1
-	44	dB	0	1	0	1	1	0	0
-	45	dB	0	1	0	1	1	0	1
-	46	dB	0	1	0	1	1	1	0
-	47	dB	0	1	0	1	1	1	1
-	48	dB	0	1	1	0	0	0	0
-	49	dB	0	1	1	0	0	0	1
-	50	dB	0	1	1	0	0	1	0
-	51	dB	0	1	1	0	0	1	1
-	52	dB	0	1	1	0	1	0	0
-	53	dB	0	1	1	0	1	0	1
-	54	dB	0	1	1	0	1	1	0
-	55	dB	0	1	1	0	1	1	1
-	56	dB	0	1	1	1	0	0	0
-	57	dB	0	1	1	1	0	0	1
-	58	dB	0	1	1	1	0	1	0
-	59	dB	0	1	1	1	0	1	1
-	60	dB	0	1	1	1	1	0	0
-	61	dB	0	1	1	1	1	0	1
-	62	dB	0	1	1	1	1	1	0
-	63	dB	0	1	1	1	1	1	1
-	64	dB	1	0	0	0	0	0	0
-	65	dB	1	0	0	0	0	0	1
-	66	dB	1	0	0	0	0	1	0
-	67	dB	1	0	0	0	0	1	1
-	68	dB	1	0	0	0	1	0	0
-	69	dB	1	0	0	0	1	0	1
-	70	dB	1	0	0	0	1	1	0
-	71	dB	1	0	0	0	1	1	1
-	72	dB	1	0	0	1	0	0	0
-	73	dB	1	0	0	1	0	0	1
-	74	dB	1	0	0	1	0	1	0
-	75	dB	1	0	0	1	0	1	1
-	76	dB	1	0	0	1	1	0	0
-	77	dB	1	0	0	1	1	0	1
-	78	dB	1	0	0	1	1	1	0
-	79	dB	1	0	0	1	1	1	1
-	∞	dB	1	0	1	0	0	0	0

**6 CHANNELS VOLUME CONTROLLER****ELECTRICAL CHARACTERISTICS**

(Ta=25°C, AVDD=7.0V, AVSS=-7.0V, DVDD=5.0V, f=1kHz, unless otherwise noted. Rg=1KΩ, RI=10KΩ, VOLUME are set to 0dB/FLAT)

(1)Power Supply Characteristics

Parameter	Symbol	Test condition	Limits			Unit
			Min	typ	Max	
Analog positive circuit current	Aldd	Current at pin 5 No signal input	–	24	35	mA
Analog negative circuit current	Alss	Current at pin 29,30 No signal input	–	24	35	mA
Digital circuit current	Dldd	Current at pin 42 No signal input	–	1.0	2.0	mA

(2)Input/Output Characteristics

Parameter	Symbol	Test condition	Limits			Unit
			Min	typ	Max	
Input resistance	Ri	6,8,9,11,16,18pin	35	70	150	KΩ
Maximum output voltage	VOM	6,8,9,11,16,18pin INPUT 31~36pin OUTPUT, THD=1%	3.0	4.2	–	Vrms
Pass gain	Gv	Vi=0.2Vrms,FLAT 6,8,9,11,16,18pin INPUT 31~36pin OUTPUT	-2.0	0	2.0	dB
Distortion	THD	BW=400~30kHz Vi=0.2Vrms,RL=10KΩ	–	0.004	0.09	%
Output noise voltage	Vn(VOL)	31~36pin JIS-A,VOL=0dB	–	4	6	μVrms
Signal to noise ratio	S/N	all gains=0dB; Vo=1Vrms	–	98	105	dB
Maximum attenuation	ATTmax	31~36 pin JIS-A,VOL=-∞dB	–	-100	-95	dB
Volume gain between channels	Dvol		-1.5	0	1.5	dB
Crosstalk between channels	CT	Vo=0.5Vrms,RL=10KΩ, JIS-A, Rg=1KΩ	–	-100	-75	dB
Port output current	IL	RL=22KΩ	0.2	–	–	mA

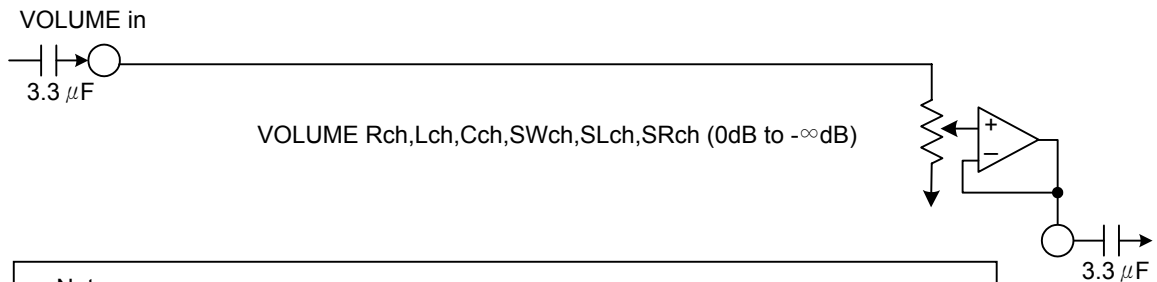


6 CHANNELS VOLUME CONTROLLER

RECOMMENDED OPERATING CONDITIONS

	Analog	Digital
Supply voltage range	$\pm 6.0 \sim \pm 8.0V$	4.5 ~ 5.5V
Rated supply voltage	$\pm 7.0V$	5.0V

SIGNAL PROCESSING DIAGRAM

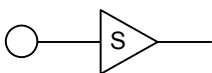


Note:

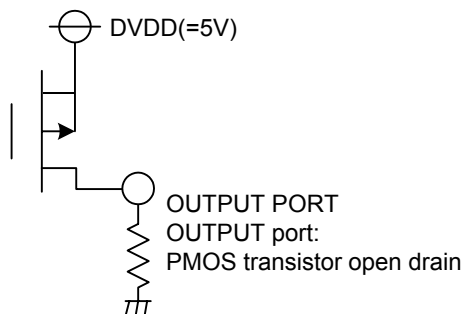
(1) The resistance value of Volume change about 18 to 22K Ω by attenuated condition.

(2) No built in a zero cross circuit.

CLK, DATA, LATCH



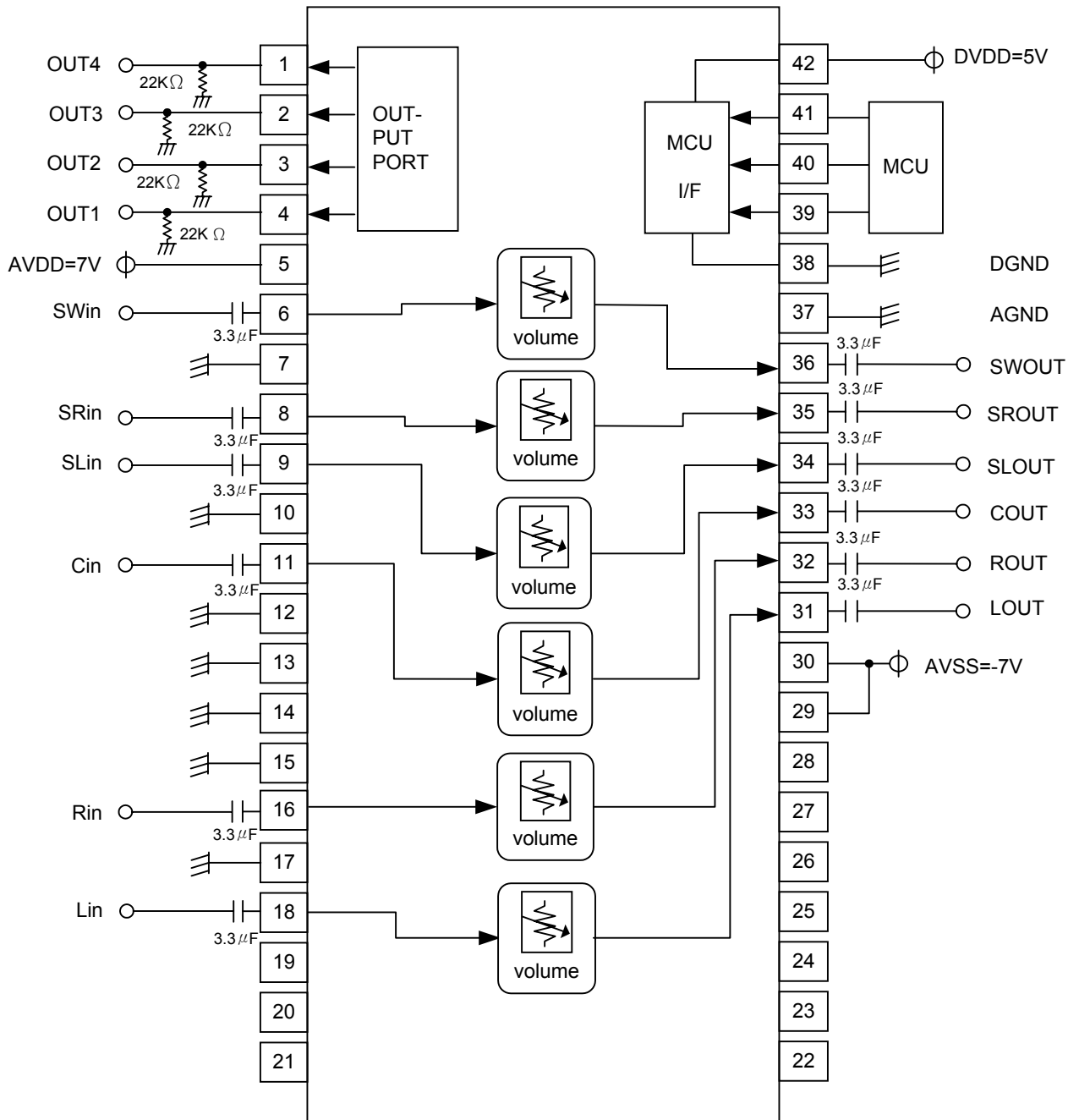
INPUT: Schmitt trigger type





6 CHANNELS VOLUME CONTROLLER

APPLICATION EXAMPLE



Units Resistance: Ω / Capacitance: F



6 CHANNELS VOLUME CONTROLLER

Figure1 : Crosstalk vs. R/L ch

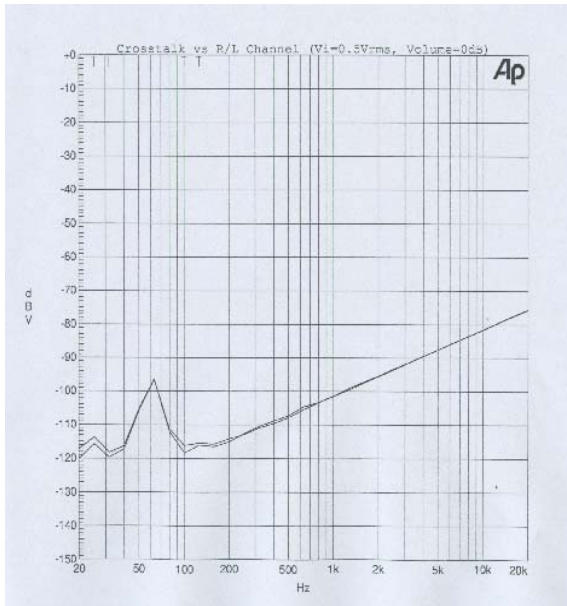
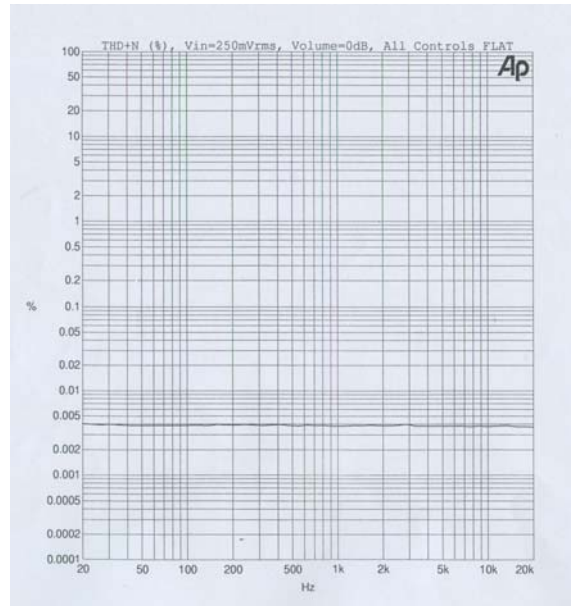


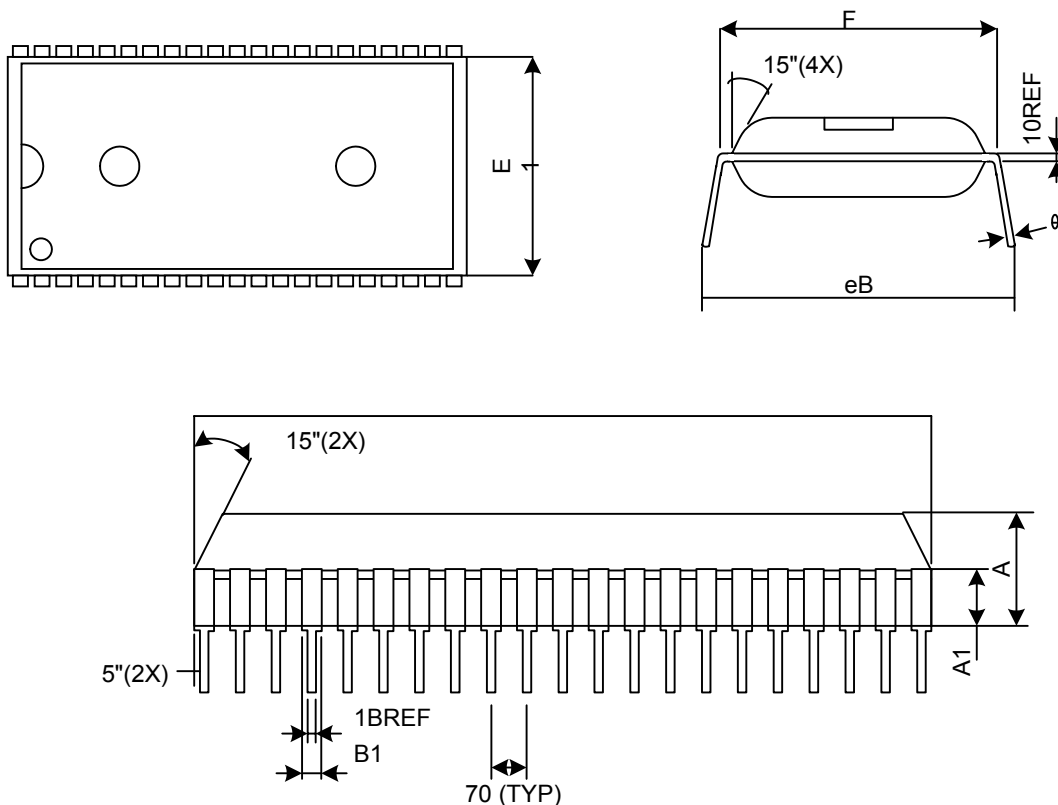
Figure2 : Distortion and Noise vs. Frequency
(Vin=250mV,AV=0dB,ALL CONTROLS FLAT, VOLUME=0dB,-20dB)





6 CHANNELS VOLUME CONTROLLER

PACKAGE OUTLINE (SDIP42)



SYMBOL	Dimonation in mil			Dimenation in mm		
	MIN	NOM	MAX	MIN	NOM	MAX
A	155	160	165	3.937	4.064	4.2
A1	70	72.5	74	1.78	1.842	1.88
B1	36	40	44	0.914	1.270	1.118
D	1448	1450	1452	36.78	36.83	36.88
E1	549	550	551	13.945	13.970	13.998
F	592	800	608	15.037	15.240	15.443
eB	600	650	700	15.24	16.510	17.78
θ	0°	7.5°	15°	0°	7.5°	15°

PACKAGE OUTLINE DIMENSION FOR P-SDIP 42 PIN