

DC-AC INVERTER UNIT

PS-DA0137-256-B(S) (5 W SINGLE OUTPUT)

(PRELIMINARY INFORMATION)

DESCRIPTION :

This low profile DC to AC Inverter is developed for single lamps.
Optimized for **Sharp: LQ085Y3DG06 (Datasheet from 5. Sep. 2007)**

APPLICABLE LCD:

Lamp Voltage 960 Vrms
Lamp Current 5.0 mArms
Lamp Start Up Voltage 2.400Vrms (Vin : 12 Vdc)



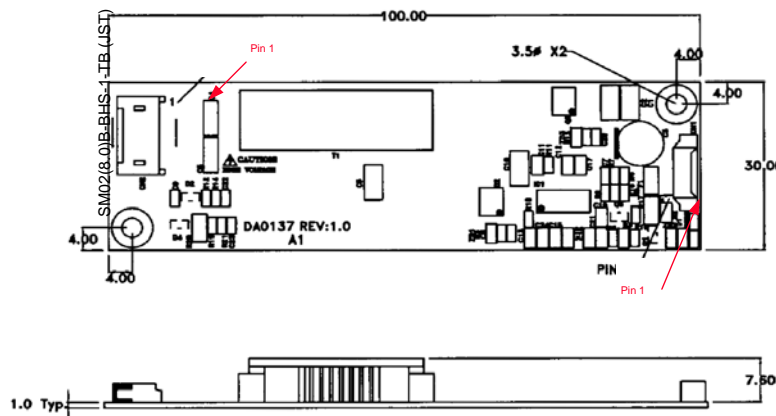
FEATURES :

Remote ON/OFF
Current balance circuit
Extra high starting Voltage
RoHS compliant (S)

TEMPERATURE & HUMIDITY :

Operating Temperature Range 0°C ~ +75°C
Storage Temperature Range -30°C ~ +85°C
Humidity 95 %RH max

DIMENSIONS : L x B x H 100 x 30 x 9 mm



Unit : mm
Weight :15 (g) typ.

Note: Please use plastic screw in case of a non-insulating mounting base!

Components

No.	Part Description	Qty.	Material	Note
1	PCB	1	UL94V-0 (FR-4 or CEM-3)	t=1mm
2	Connector CN1	1	53261-0690	Molex or equal
3	Connector CN2	1	SM02(8.0)B-BHS-1-TB	JST or equal

Power Systems – The Power Solution

Web: www.Power-Systems.de
Email: Info@Power-Systems.de

Address: Hauptstraße 48 ; 74360 Ilsfeld-Auenstein / Germany
Tel. : + 49 / 70 62 / 67 59 - 6
Fax: + 49 / 70 62 / 67 59 - 800

DC-AC INVERTER UNIT

PS-DA0137-256-B(S) (5 W SINGLE OUTPUT)

(PRELIMINARY INFORMATION)

Input side CN1:

Pin No.	Symbols	Ratings
CN 1-1	V _{in}	10.8 ~ 13.2 Vdc
CN 1-2	V _{in}	10.8 ~ 13.2 Vdc
CN 1-3	V _{rmt}	0 ~ 0.4 = OFF / 2.5 ~ 5.5 = ON
CN 1-4	V _{br}	0 ~ 5.0 Vdc
CN 1-5	GND	-
CN 1-6	GND	-

Output side CN2:

Pin No.	Symbols	Ratings
CN 2-1	V _{high}	960 Vrms (5.0 mArms)
CN 2-2	N.C.	-
CN 2-3	V _{low}	(GND)

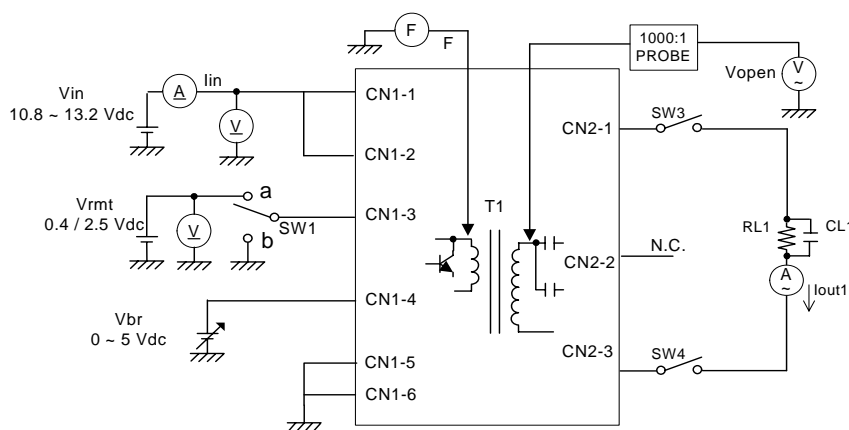
ELECTRICAL CHARACTERISTICS :

Parameters	Symbols	Conditions			Specification			Unit	Note
		V _{in} (V)	V _{br} (V)	T _u (°C)	Min.	Typ.	Max.		
Output Current	I _{out}	12±1.2	0.0	0 ~ +75	4.5	5.0	5.5	mArms	Duty 100%
Output Current	I _{out}	12±0.6	5.0	0 ~ +75	-	25	-	%	
Input Current	I _{in}	12±1.2	0.0	0 ~ +75	-	0.5	0.55	Adc	
Frequency	F	12±1.2	0.0	0 ~ +75	50	-	80	kHz	
Open Circuit Voltage	V _{open}	11.4	0.0	0 ~ +75	2.250	2.400	-	Vrms	
No Load Shutdown	T _{sd}	12±1.2	0.0	0 ~ +75	-	1.0	-	sec	without load

Note 1 : Please keep minimum of 2mm clearance (all directions) between inverter high voltage area as marked on mechanical drawing and any conductors.

Note 2: Open circuit on all lamps for more than 3 sec., will shut the inverter down.

TEST CIRCUIT :



SW1	Operation of unit
a	Operation
b	Non operation

Power Systems – The Power Solution

Web: www.Power-Systems.de
 Email: Info@Power-Systems.de

Address: Hauptstraße 48 ; 74360 Ilsfeld-Auenstein / Germany
 Tel. : + 49 / 70 62 / 67 59 - 6
 Fax: + 49 / 70 62 / 67 59 - 800