

General Description

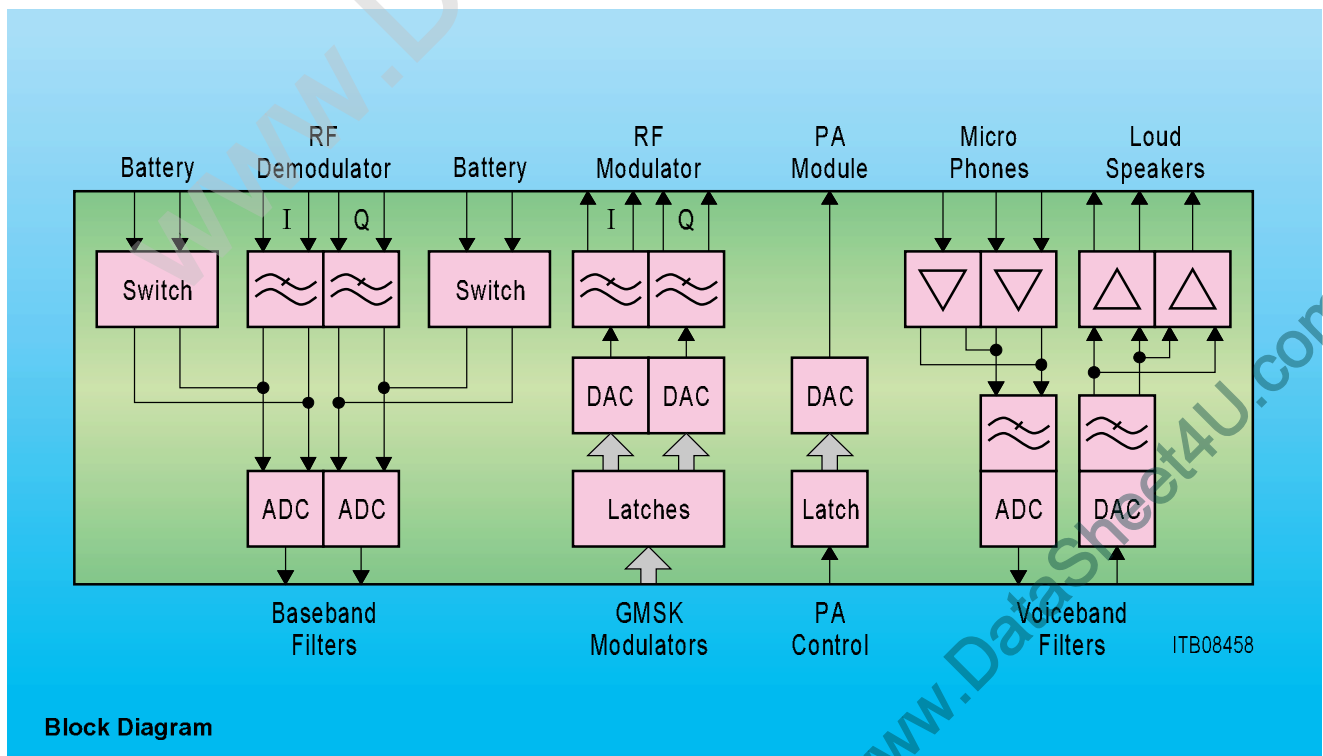
The **GSM Analog Interfacing Module (GAIM)** is part of a chip set, which covers all functions of a mobile radio provided for the **Global System for Mobile communications, GSM**. A mobile terminal which contains this chip set will meet all performance requirements set down in the GSM recommendations for speech and data services.

GAIM is provided for analog-to-digital and digital-to-analog conversion of baseband and voiceband signals as well. Moreover digital-to-analog conversion of an RF power control signal can be performed by this circuit.

Type	Package
PMB 2905-F	P-TQFP-64-1 (SMD)

Features

- Baseband receive A-to-D converter
analog antialiasing filter (2nd order Bessel)
2nd order sigma-delta modulators for baseband receive and battery measurements
- Baseband transmit D-to-A converter
10 bit switched-capacitor-type DAC
analog postfilter (6 th order Bessel)
- Power ramping control D-to-A converter
8-bit resistor-string-type DAC
- Voiceband receive D-to-A converter
low pass filter following digital Σ - Δ -modulator on GOLD-SP
two programmable earpiece gain stages
- Voiceband transmit A-to-D converter
2nd order sigma-delta modulator analog antialiasing filter two programmable microphone gain stages
- Package
P-TQFP-64-1, 10 x 10 mm, 0.5 pitch
- 3-V supply voltage ($\pm 10\%$)



Block Diagram