



■ General Description

The OCH29891 is an integrated Hall sensor with H-Bridged output driver designed for brushless DC motor applications. The device is using HV process includes an one-chip Hall sensor for magnetic sensing, an amplifier that amplifies the Hall voltage, a comparator to provide switching hysteresis for noise rejection, a bi-directional drivers for sinking and driving large current load.

Placing the device in a variable magnetic field, if the magnetic flux density is larger than threshold BOP, the DO is turned to sink and DOB is turned to drive. This output state is held until the magnetic flux density reverses and falls below BRP, then causes DO to be turned to drive and DOB turned to sink.

OCH29891 is available in SIP-4L package and is rated over the -40°C to 125°C.

■ Features

- One-chip Solution (Hall Element + Driver)
- Continuous Output Current : 500mA
- High Sensitivity Hall Sensor
BOP25GS、BRP-25GS
- Lock-shutdown protection & auto-restart function
- Thermal Shutdown Protection
- -40°C to +125 °C Temperature Range
- RoHS Compliant
- Available in SIP-4L(TO94) Packages

■ Applications

- Single phase DC Brushless Fan
- Single phase DC Brushless Fan
- Single phase DC Brushless Motor

■ Pin Configuration

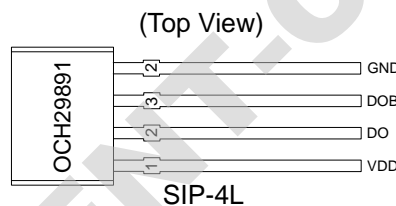


Figure 1, Pin Assignments of OCH29891

Pin Name	Pin No.	Pin Function
VDD	1	Positive Power Supply
DO	2	Output 1
DOB	3	Output 2
GND	4	Ground

■ Typical Application Circuit

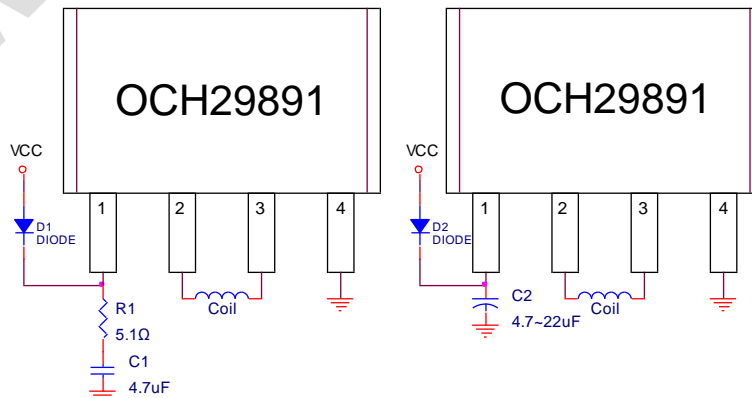


Figure 2, Typical Application Circuit of OCH29891

Note1: When the power pulse is relatively large, Must use least C1=4.7μF(ceramic capacitor) capacitor & R1=5.1Ω or C2=4.7~22μF for the decoupling between VDD and GND and place the capacitor as close to the IC as possible.



OCH29891

500mA Single Phase DC Fan Driver

ORIENT-CHIP

■ Ordering Information

Part Number	Package Type	Packing Qty	B _{OP} (Gauss)	B _{RP} (Gauss)	Temperature	Eco Plan	Lead
OCH29891ME	SIP-4L	1000pcs/Bag	25(Typ.)	-25(Typ.)	-40 ~ 125℃	ROHS	Cu

注：想进一步了解产品咨询，请直接点击[申请样品](#)。我们会第一时间联系您！谢谢！

WWW.ORIENT-CHIP.COM

