

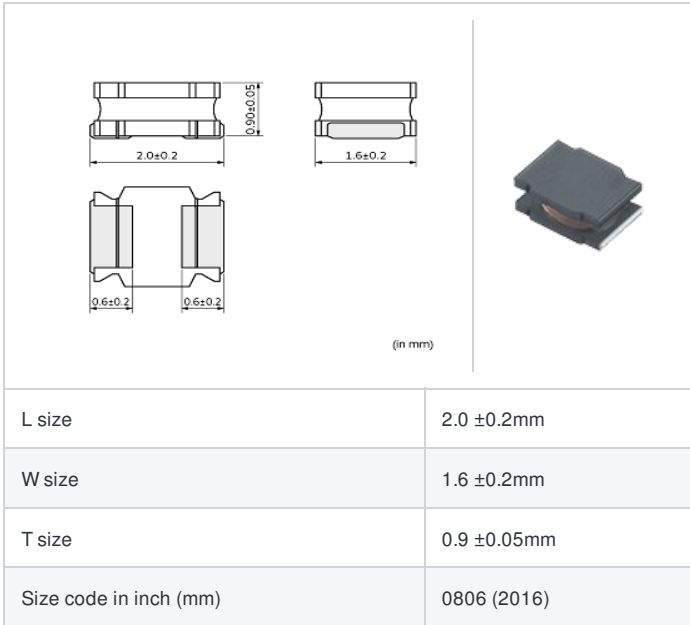
# LQH2MCN6R8M02#

"#" indicates a package specification code.



< List of part numbers with package codes >  
LQH2MCN6R8M02L , LQH2MCN6R8M02B

## Shape



## Notes

When rated current is applied to the products, inductance will be within ±10% of initial inductance value.  
When rated current is applied to the products, the temperature rise caused by self-generated heat shall be limited to 40 °C max.

## References

Packaging code	Specifications	Minimum quantity
L	φ 180mm Embossed taping	3000
B	Packing in bulk	100

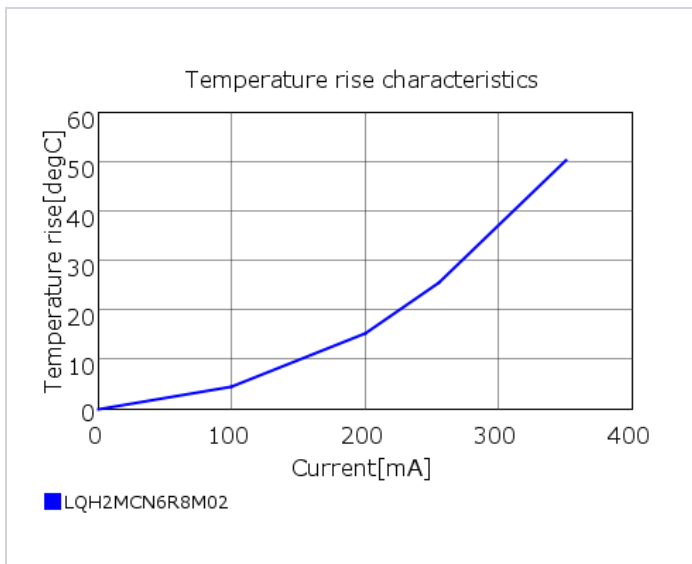
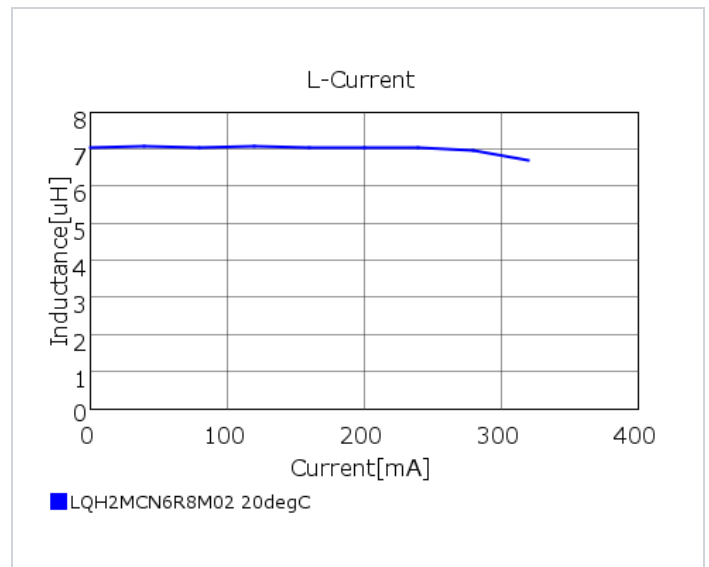
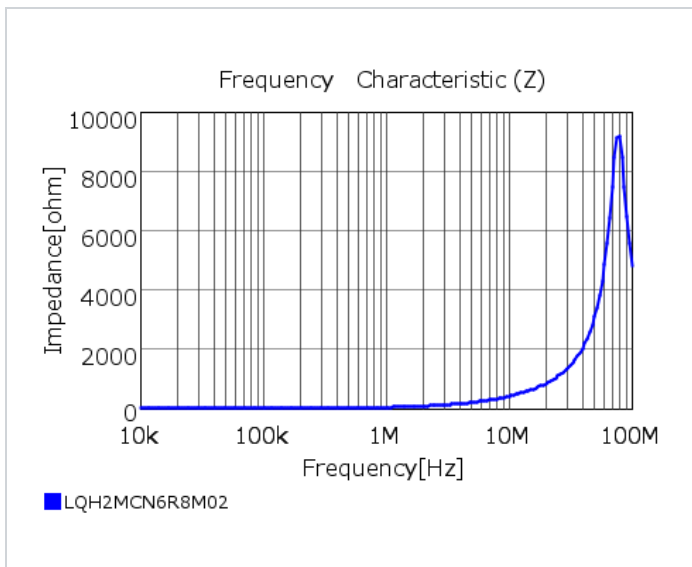
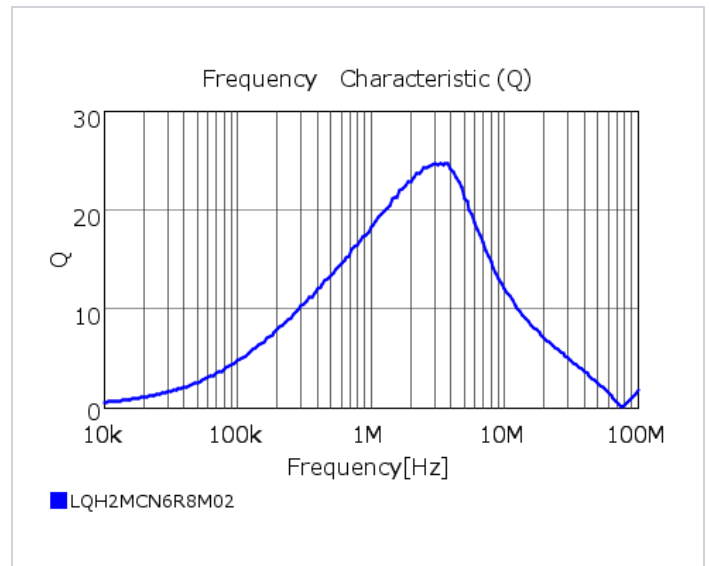
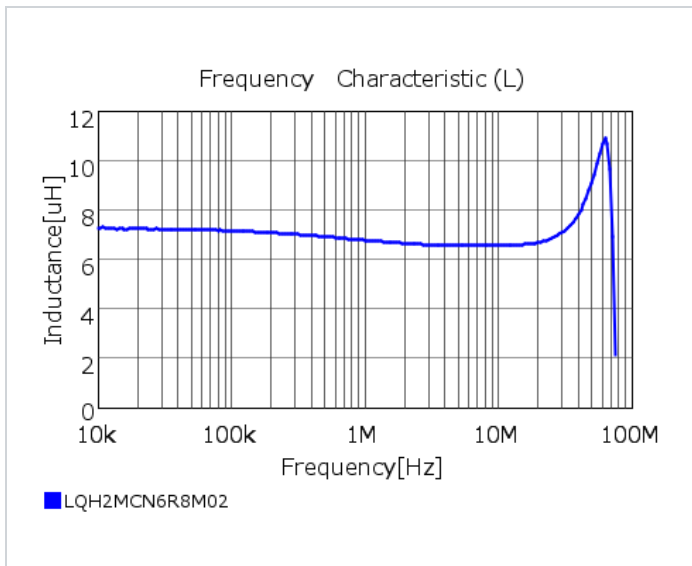
Mass (Typ.)	
1 piece	0.010g

## Specifications

Inductance	6.8μH ±20%
Inductance test frequency	1MHz
Rated current (Itemp) (Based on Temperature rise)	255mA
Max. of DC resistance	1.30Ω
Avg. of DC resistance	1.0Ω ±30%
Self resonance frequency (min.)	55MHz
Operating temperature range (Self-temperature rise is not included)	-40°C to 85°C
Class of magnetic shield	No Shield
Series	LQH2MCN_02

### Attention

- 1.This datasheet is downloaded from the website of Murata Manufacturing Co., Ltd. Therefore, it's specifications are subject to change or our products in it may be discontinued without advance notice. Please check with our sales representatives or product engineers before ordering.
- 2.This datasheet has only typical specifications because there is no space for detailed specifications. Therefore, please review our product specifications or consult the approval sheet for product specifications before ordering.



**⚠ Attention**

- 1.This datasheet is downloaded from the website of Murata Manufacturing Co., Ltd. Therefore, it's specifications are subject to change or our products in it may be discontinued without advance notice. Please check with our sales representatives or product engineers before ordering.
  - 2.This datasheet has only typical specifications because there is no space for detailed specifications.
- Therefore, please review our product specifications or consult the approval sheet for product specifications before ordering.