

---

---

## Highly Efficient Single-Chip 10/100 Non-PCI Ethernet Controller

---

---

### Highlights

- Member of LAN9118 Family; optimized for medium-high performance applications
- Easily interfaces to most 32-bit and 16-bit embedded CPU's
- Efficient architecture with low CPU overhead
- Integrated PHY
- Supports audio & video streaming over Ethernet: 1-2 high-definition (HD) MPEG2 streams
- Medium-high speed member of LAN9118 Family (all members are pin-compatible)

### Target Applications

- Medium-range Cable, satellite, and IP set-top boxes
- Digital video recorders and DVD recorders/players
- High definition televisions
- Digital media clients/servers and home gateways
- Video-over IP Solutions, IP PBX & video phones
- Wireless routers & access points

### Key Benefits

- Non-PCI Ethernet controller for medium-high performance applications
  - 32-bit interface
  - Burst-mode read support
- Eliminates dropped packets
  - Internal buffer memory can store over 200 packets
  - Supports automatic or host-triggered PAUSE and back-pressure flow control
- Minimizes CPU overhead
  - Supports Slave-DMA
  - Interrupt Pin with Programmable Hold-off timer
- Reduces system cost and increases design flexibility
  - SRAM-like interface easily interfaces to most embedded CPU's or SoC's
  - Low-cost, low-pin count non-PCI interface for embedded designs

- Reduced Power Modes
  - Numerous power management modes
  - Wake on LAN\*
  - Magic packet wakeup\*
  - Wakeup indicator event signal
  - Link Status Change
- Single chip Ethernet controller
  - Fully compliant with IEEE 802.3/802.3u standards
  - Integrated Ethernet MAC and PHY
  - 10BASE-T and 100BASE-TX support
  - Full- and Half-duplex support
  - Full-duplex flow control
  - Backpressure for half-duplex flow control
  - Preamble generation and removal
  - Automatic 32-bit CRC generation and checking
  - Automatic payload padding and pad removal
  - Loop-back modes
- Flexible address filtering modes
  - One 48-bit perfect address
  - 64 hash-filtered multicast addresses
  - Pass all multicast
  - Promiscuous mode
  - Inverse filtering
  - Pass all incoming with status report
  - Disable reception of broadcast packets
- Integrated Ethernet PHY
  - Auto-negotiation
  - Automatic polarity detection and correction
- High-Performance host bus interface
  - Simple, SRAM-like interface
  - 32/16-bit data bus
  - Large, 16Kbyte FIFO memory that can be allocated to RX or TX functions
  - One configurable host interrupt
- Miscellaneous features
  - Low profile 100-pin, TQFP RoHS Compliant package
  - Integral 1.8V regulator
  - General Purpose Timer
  - Support for optional EEPROM
  - Support for 3 status LEDs multiplexed with Programmable GPIO signals
- 3.3V Power Supply with 5V tolerant I/O
- 0 to 70°C

\* Third-party brands and names are the property of their respective owners.

## TO OUR VALUED CUSTOMERS

It is our intention to provide our valued customers with the best documentation possible to ensure successful use of your Microchip products. To this end, we will continue to improve our publications to better suit your needs. Our publications will be refined and enhanced as new volumes and updates are introduced.

If you have any questions or comments regarding this publication, please contact the Marketing Communications Department via E-mail at [docerrors@microchip.com](mailto:docerrors@microchip.com). We welcome your feedback.

### Most Current Data Sheet

To obtain the most up-to-date version of this data sheet, please register at our Worldwide Web site at:

<http://www.microchip.com>

You can determine the version of a data sheet by examining its literature number found on the bottom outside corner of any page. The last character of the literature number is the version number, (e.g., DS30000000A is version A of document DS30000000).

### Errata

An errata sheet, describing minor operational differences from the data sheet and recommended workarounds, may exist for current devices. As device/documentation issues become known to us, we will publish an errata sheet. The errata will specify the revision of silicon and revision of document to which it applies.

To determine if an errata sheet exists for a particular device, please check with one of the following:

- Microchip's Worldwide Web site; <http://www.microchip.com>
- Your local Microchip sales office (see last page)

When contacting a sales office, please specify which device, revision of silicon and data sheet (include -literature number) you are using.

### Customer Notification System

Register on our web site at [www.microchip.com](http://www.microchip.com) to receive the most current information on all of our products.

## Table of Contents

1.0 General Description .....	4
2.0 Pin Description and Configuration .....	8
3.0 Functional Description .....	14
4.0 Internal Ethernet PHY .....	46
5.0 Register Description .....	53
6.0 Timing Diagrams .....	90
7.0 Operational Characteristics .....	100
8.0 Package Outline .....	104
Appendix A: Data Sheet Revision History .....	105
The Microchip Web Site .....	106
Customer Change Notification Service .....	106
Customer Support .....	106
Product Identification System .....	107

# LAN9116

---

---

## 1.0 GENERAL DESCRIPTION

The LAN9116 is a full-featured, single-chip 10/100 Ethernet controller designed for embedded applications where performance, flexibility, ease of integration and system cost control are required. The LAN9116 has been architected to provide the best price-performance ratio for any 32-bit application with medium-high performance requirements. The LAN9116 is fully IEEE 802.3 10BASE-T and 802.3u 100BASE-TX compliant.

The LAN9116 includes an integrated Ethernet MAC and PHY with a high-performance SRAM-like slave interface. The simple, yet highly functional host bus interface provides a glue-less connection to most common 16-bit and 32-bit microprocessors and microcontrollers. The LAN9116 includes large transmit and receive data FIFOs to accommodate high latency applications. In addition, the LAN9116 memory buffer architecture allows the most efficient use of memory resources by optimizing packet granularity.

### Applications

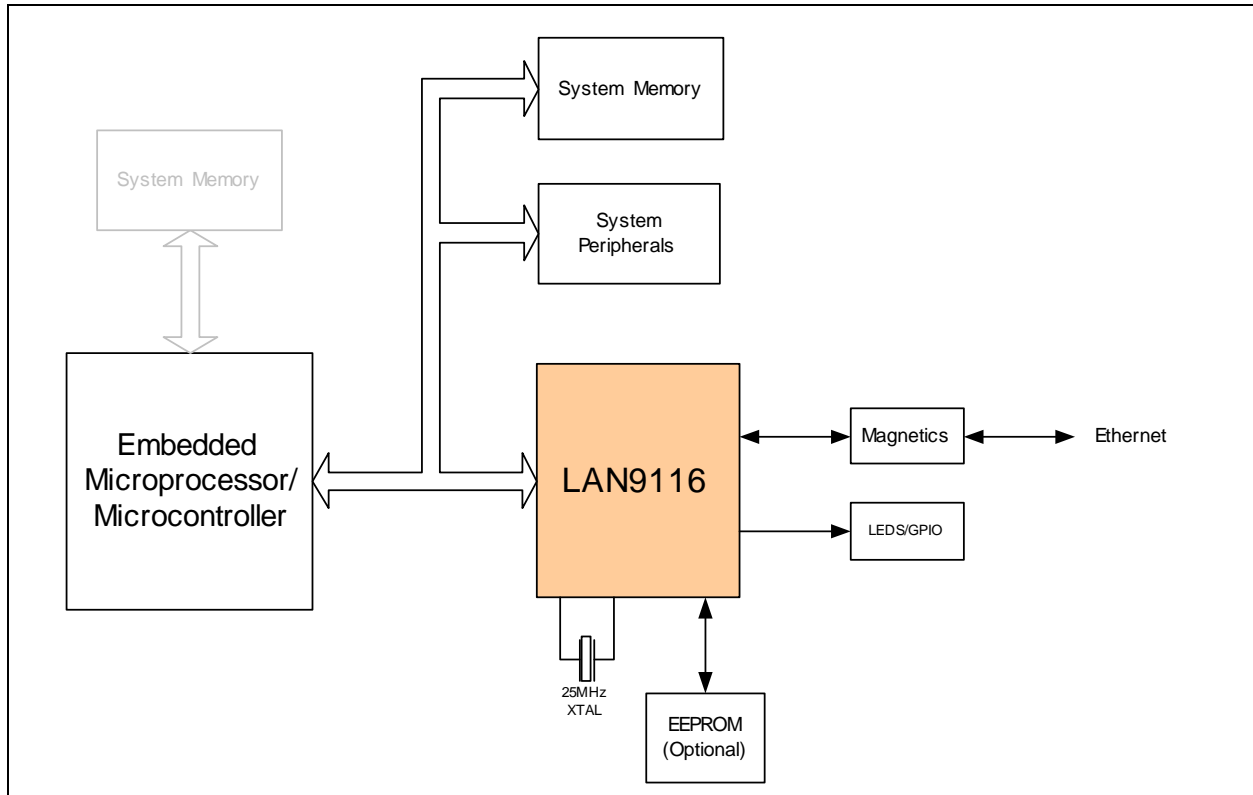
The LAN9116 is well suited for medium-high-performance embedded applications, including:

- Medium-range cable, satellite and IP set-top boxes
- Digital video recorders
- DVD Recorders/Players
- High-definition televisions
- Digital media clients/servers
- Home gateways

The LAN9116 also supports features which reduce or eliminate packet loss. Its internal 16-KByte SRAM can hold over 200 received packets. If the receive FIFO gets too full, the LAN9116 can automatically generate flow control packets to the remote node, or assert back-pressure on the remote node by generating network collisions.

The LAN9116 supports numerous power management and wakeup features. The LAN9116 can be placed in a reduced power mode and can be programmed to issue an external wake signal via several methods, including "Magic Packet", "Wake on LAN" and "Link Status Change". This signal is ideal for triggering system power-up using remote Ethernet wakeup events. The device can be removed from the low power state via a host processor command.

**FIGURE 1-1: SYSTEM BLOCK DIAGRAM UTILIZING THE LAN9116**



The Microchip LAN9116 integrated 10/100 MAC/PHY controller is a peripheral chip that performs the function of translating parallel data from a host controller into Ethernet packets. The LAN9116 Ethernet MAC/PHY controller is designed and optimized to function in an embedded environment. All communication is performed with programmed I/O transactions using the simple SRAM-like host interface bus.

The diagram shown above, describes a typical system configuration of the LAN9116 in a typical embedded environment.

The LAN9116 is a general purpose, platform independent, Ethernet controller. The LAN9116 consists of four major functional blocks. The four blocks are:

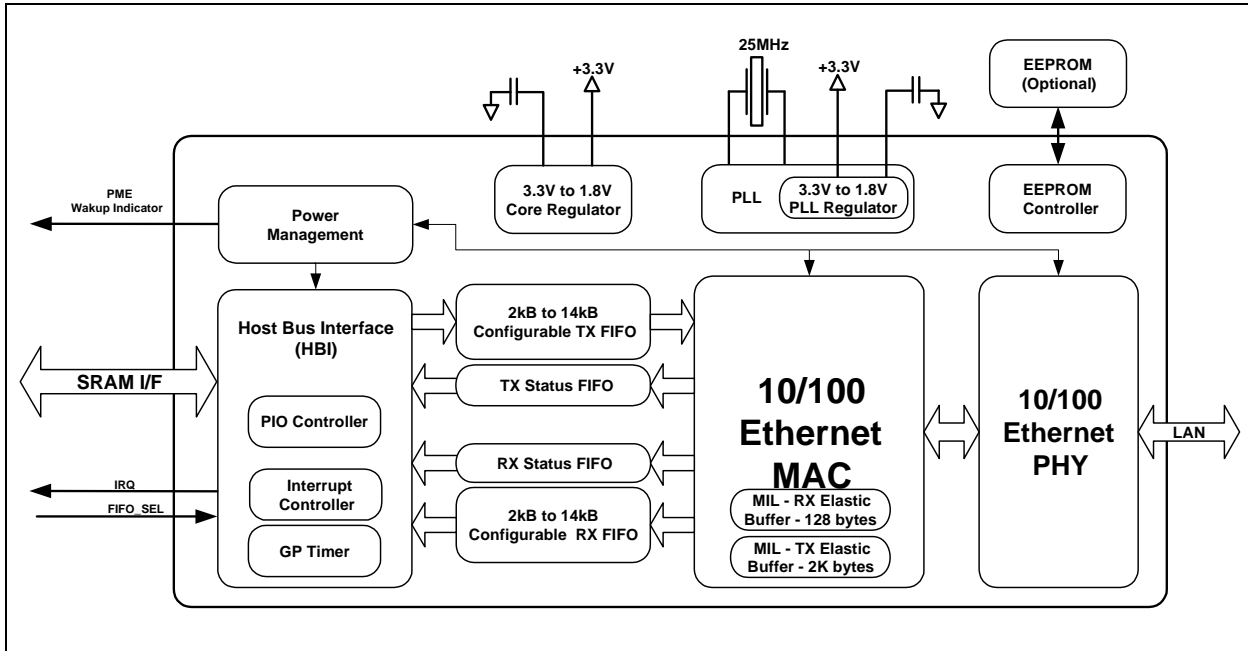
- 10/100 Ethernet PHY
- 10/100 Ethernet MAC
- RX/TX FIFOs
- Host Bus Interface (HBI)

# LAN9116

## 1.1 Internal Block Overview

This section provides an overview of each of these functional blocks as shown in Figure 1-2, "Internal Block Diagram".

FIGURE 1-2: INTERNAL BLOCK DIAGRAM



## 1.2 10/100 Ethernet PHY

The LAN9116 integrates an IEEE 802.3 physical layer for twisted pair Ethernet applications. The PHY can be configured for either 100 Mbps (100Base-TX) or 10 Mbps (10Base-T) Ethernet operation in either full or half duplex configurations. The PHY block includes auto-negotiation.

Minimal external components are required for the utilization of the Integrated PHY.

## 1.3 10/100 Ethernet MAC

The transmit and receive data paths are separate within the MAC allowing the highest performance especially in full duplex mode. The data paths connect to the PIO interface Function via separate busses to increase performance. Payload data as well as transmit and receive status is passed on these busses.

A third internal bus is used to access the MAC's Control and Status Registers (CSR's). This bus is accessible from the host through the PIO interface function.

On the backend, the MAC interfaces with the internal 10/100 PHY through a the MII (Media Independent Interface) port internal to the LAN9116. The MAC CSR's also provides a mechanism for accessing the PHY's internal registers through the internal SMI (Serial Management Interface) bus.

The MAC Interface Layer (MIL), within the MAC, contains a 2K Byte transmit and a 128 Byte receive FIFO which is separate from the TX and RX FIFOs. The FIFOs within the MAC are not directly accessible from the host interface. The differentiation between the TX/RX FIFO memory buffers and the MAC buffers is that when the transmit or receive packets are in the MAC buffers, the host no longer can control or access the TX or RX data. The MAC buffers (both TX and RX) are in effect the working buffers of the Ethernet MAC logic. In the case of reception, the data must be moved first to the RX FIFOs for the host to access the data. For TX operations, the MIL operates in store-and-forward mode and will queue an entire frame before beginning transmission.

## 1.4 Receive and Transmit FIFOs

The Receive and Transmit FIFOs allow increased packet buffer storage to the MAC. The FIFOs are a conduit between the host interface and the MAC through which all transmitted and received data and status information is passed. Deep FIFOs allow a high degree of latency tolerance relative to the various transport and OS software stacks thus reducing or minimizing overrun conditions. Like the MAC, the FIFOs have separate receive and transmit data paths. In addition, the RX and TX FIFOs are configurable in size, allowing increased flexibility.

## 1.5 Interrupt Controller

The LAN9116 supports a single programmable interrupt. The programmable nature of this interrupt allows the user the ability to optimize performance dependent upon the application requirement. Both the polarity and buffer type of the interrupt pin are configurable for the external interrupt processing. The interrupt line can be configured as an open-drain output to facilitate the sharing of interrupts with other devices. In addition, a programmable interrupt de-assertion interval is provided.

## 1.6 GPIO Interface

A 3-bit GPIO and 2-bit GPO (Multiplexed on the EEPROM and LED Pins) interface is included in the LAN9116. It is accessible through the host bus interface via the CSRs. The GPIO signals can function as inputs, push-pull outputs and open drain outputs. The GPIO's (GPO's are not configurable) can also be configured to trigger interrupts with programmable polarity.

## 1.7 Serial EEPROM Interface

A serial EEPROM interface is included in the LAN9116. The serial EEPROM is optional and can be programmed with the LAN9116 MAC address. The LAN9116 can optionally load the MAC address automatically after power-on.

## 1.8 Power Management Controls

The LAN9116 supports comprehensive array of power management modes to allow use in power sensitive applications. Wake on LAN, Link Status Change and Magic Packet detection are supported by the LAN9116. An external PME (Power Management Event) interrupt is provided to indicate detection of a wakeup event.

## 1.9 General Purpose Timer

The general-purpose timer has no dedicated function within the LAN9116 and may be programmed to issue a timed interrupt.

## 1.10 Host Bus Interface (SRAM Interface)

The host bus interface provides a FIFO interface for the transmit and receive data paths, as well as an interface for the LAN9116 Control and Status Registers (CSR's).

The host bus interface is the primary bus for connection to the embedded host system. This interface models an asynchronous SRAM. TX FIFO, RX FIFO, and CSR's are accessed through this interface. Programmed I/O transactions are supported.

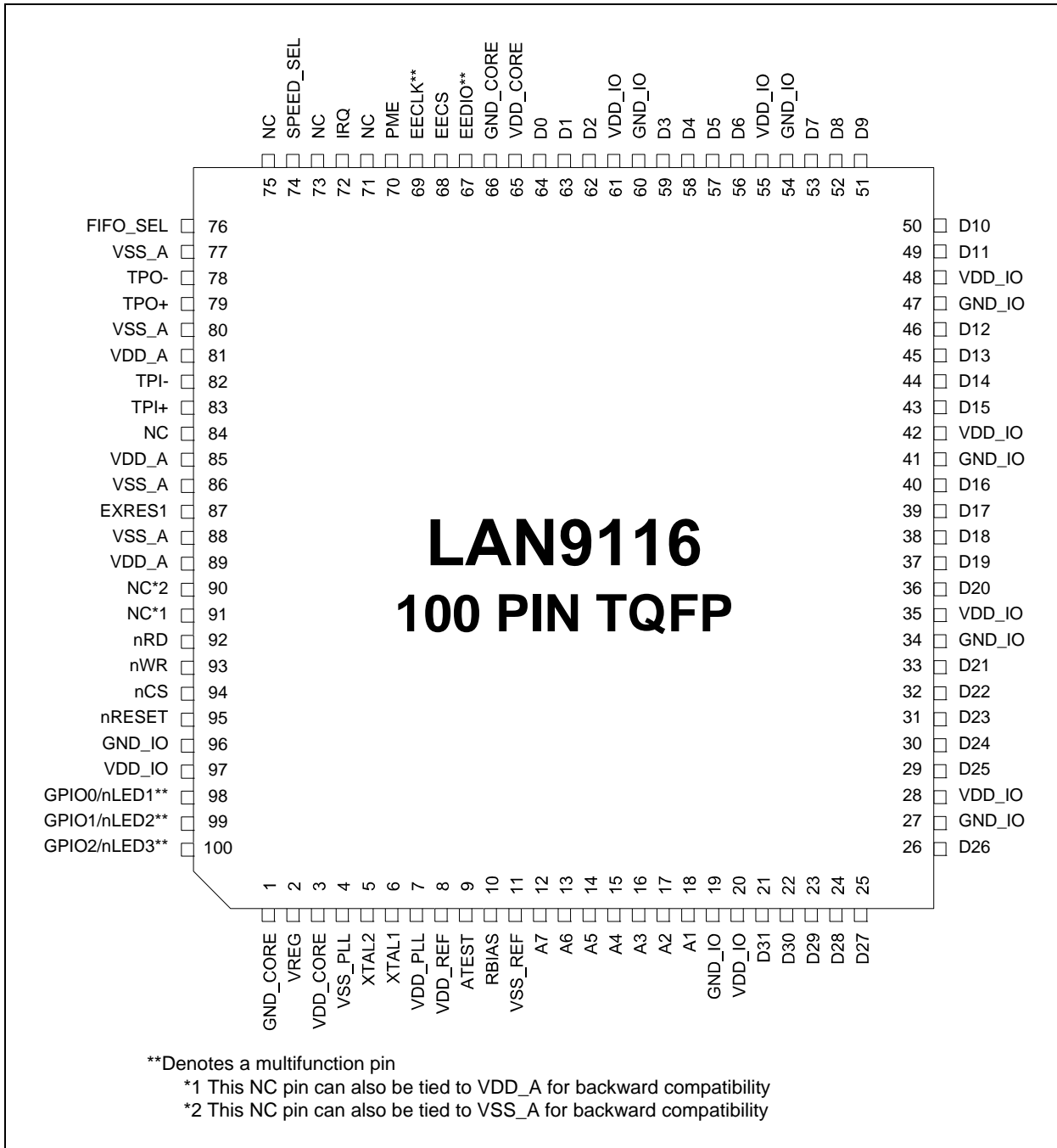
The LAN9116 host bus interface supports 32-bit and 16-bit bus transfers; internally, all data paths are 32-bits wide. The LAN9116 can be interfaced to either Big-Endian or Little-Endian processors in either 32-bit or 16-bit external bus width modes of operation.

The host bus data Interface is responsible for host address decoding and data bus steering. The host bus interface handles the 16 to 32-bit conversion when the LAN9116 is configured with a 16-bit host interface. Additionally, when Big Endian mode is selected, the data path to the internal controller registers will be reorganized accordingly.

# LAN9116

## 2.0 PIN DESCRIPTION AND CONFIGURATION

FIGURE 2-1: PIN CONFIGURATION





**TABLE 2-1: HOST BUS INTERFACE SIGNALS**

Pin No.	Name	Symbol	Buffer Type	# Pins	Description
21-26,29-33,36-40	Host Data High	D[31:16]	I/O8 (PD)	16	Bi-directional data port. Note that Pull-down's are disabled in 32 bit mode.
43-46,49-53,56-59,62-64	Host Data Low	D[15:0]	I/O8	16	Bi-directional data port.
12-18	Host Address	A[7:1]	IS	7	7-bit Address Port. Used to select Internal CSR's and TX and RX FIFOs.
92	Read Strobe	nRD	IS	1	Active low strobe to indicate a read cycle.
93	Write Strobe	nWR	IS	1	Active low strobe to indicate a write cycle. This signal, qualified with nCS, is also used to wakeup the LAN9116 when it is in a reduced power state.
94	Chip Select	nCS	IS	1	Active low signal used to qualify read and write operations. This signal qualified with nWR is also used to wakeup the LAN9116 when it is in a reduced power state.
72	Interrupt Request	IRQ	O8/OD8	1	Programmable Interrupt request. Programmable polarity, source and buffer types.
76	FIFO Select	FIFO_SEL	IS	1	When driven high all accesses to the LAN9116 are to the RX or TX Data FIFOs. In this mode, the A[7:3] upper address inputs are ignored.

**TABLE 2-2: DEFAULT ETHERNET SETTINGS**

Default Ethernet Settings			
SPEED_SEL	Speed	Duplex	Auto Neg.
0	10MBPS	HALF-DUPLEX	DISABLED
1	100MBPS	HALF-DUPLEX	ENABLED

**TABLE 2-3: LAN INTERFACE SIGNALS**

Pin No.	Name	Symbol	Buffer Type	# Pins	Description
79	TXP	TPO+	AO	1	Twisted Pair Transmit Output, Positive
78	TXN	TPO-	AO	1	Twisted Pair Transmit Output, Negative
83	RXP	TPI+	AI	1	Twisted Pair Receive Input, Positive
82	RXN	TPI-	AI	1	Twisted Pair Receive Input, Negative
87	PHY External Bias Resistor	EXRES1	AI	1	Must be connected to ground through a 12.4K ohm 1% resistor.

**TABLE 2-4: SERIAL EEPROM INTERFACE SIGNALS**

Pin No.	Name	Symbol	Buffer Type	# Pins	Description
67	EEPROM Data, GPO3, TX_EN, TX_CLK, D32/nD16	EEDIO/GPO3/TX_EN/TX_CLK (D32/nD16)	I/O8	1	<p><b>EEPROM Data:</b> This bi-directional pin can be connected to a serial EEPROM DIO. This is optional.</p> <p><b>General Purpose Output 3:</b> This pin can also function as a general purpose output, or it can be configured to monitor the TX_EN or TX_CLK signals on the internal MII port. When configured as a GPO signal, or as a TX_EN/TX_CLK monitor, the EECS pin is deasserted so as to never unintentionally access the serial EEPROM. This signal cannot function as a general-purpose input.</p> <p><b>Data Bus Width Select:</b> This signal also functions as a configuration input on power-up and is used to select the host bus data width. Upon deassertion of reset, the value of the input is latched. When high, a 32-bit data bus is utilized. When low, a 16-bit interface is utilized.</p>
68	EEPROM Chip Select	EECS	O8	1	Serial EEPROM chip select.
69	EEPROM Clock, GPO4 RX_DV, RX_CLK	EECLK/GPO4/RX_DV/RX_CLK	O8	1	<p><b>EEPROM Clock:</b> Serial EEPROM Clock pin.</p> <p><b>General Purpose Output 4:</b> This pin can also function as a general-purpose output, or it can be configured to monitor the RX_DV or RX_CLK signals on the internal MII port. When configured as a GPO signal, or as an RX_DV/RX_CLK monitor, the EECS pin is deasserted so as to never unintentionally access the serial EEPROM. This signal cannot function as a general-purpose input.</p> <p><b>Note:</b> When the EEPROM interface is not used, the EECLK pin must be left unconnected.</p>

**TABLE 2-5: SYSTEM AND POWER SIGNALS**

Pin No.	Name	Symbol	Buffer Type	# Pins	Description
6	Crystal 1	XTAL1	Iclk	1	External 25MHz Crystal Input. Can also be connected to single-ended TTL oscillator. If this method is implemented, XTAL2 should be left unconnected.
5	Crystal 2	XTAL2	Oclk	1	External 25MHz Crystal output.

**TABLE 2-5: SYSTEM AND POWER SIGNALS (CONTINUED)**

Pin No.	Name	Symbol	Buffer Type	# Pins	Description
95	Reset	nRESET	IS (PU)	1	<p>Active-low reset input. Resets all logic and registers within the LAN9116. This signal is pulled high with a weak internal pull-up resistor. If nRESET is left unconnected, the LAN9116 will rely on its internal power-on reset circuitry.</p> <p><b>Note:</b> The LAN9116 must always be read at least once after power-up, reset, or upon return from a power-saving state or write operations will not function. See <a href="#">Section 3.11, "Detailed Reset Description,"</a> on page 31 for additional information.</p>
70	Wakeup Indicator	PME	O8/OD8	1	<p>When programmed to do so, is asserted when the LAN9116 detects a wake event and is requesting the system to wake up from the associated sleep state. The polarity and buffer type of this signal is programmable.</p> <p><b>Note:</b> Detection of a Power Management Event, and assertion of the PME signal will not wakeup the LAN9116. The LAN9116 will only wake up when it detects a host write cycle (assertion of nCS and nWR). Although any write to the LAN9116, regardless of the data written, will wake-up the device when it is in a power-saving mode, it is required that the BYTE_TEST register be used for this purpose.</p>
71,73,75,84,90,91	Reserved	Reserved		5	No Connect
74	10/100 Selector	SPEED_SEL	I (PU)	1	<p>This signal functions as a configuration input on power-up and is used to select the default Ethernet settings. Upon deassertion of reset, the value of the input is latched. This signal functions as shown in <a href="#">Table 2-2, "Default Ethernet Settings,"</a> below.</p>

# LAN9116

**TABLE 2-5: SYSTEM AND POWER SIGNALS (CONTINUED)**

Pin No.	Name	Symbol	Buffer Type	# Pins	Description
100, 99, 98	General Purpose I/O data, nLED1 (Speed Indicator), nLED2 (Link & Activity Indicator), nLED3 (Full-Duplex Indicator).	GPIO[2:0]/ LED[3:1]	IS/O12/ OD12	3	<p><b>General Purpose I/O data:</b> These three general-purpose signals are fully programmable as either push-pull output, open-drain output or input by writing the GPIO_CFG configuration register in the CSR's. They are also multiplexed as GP LED connections. GPIO signals are Schmitt-triggered inputs. When configured as LED outputs these signals are open-drain.</p> <p><b>nLED1 (Speed Indicator).</b> This signal is driven low when the operating speed is 100Mbps, during auto-negotiation and when the cable is disconnected. This signal is driven high only during 10Mbps operation.</p> <p><b>nLED2 (Link &amp; Activity Indicator).</b> This signal is driven low (LED on) when the LAN9116 detects a valid link. This signal is pulsed high (LED off) for 80mS whenever transmit or receive activity is detected. This signal is then driven low again for a minimum of 80mS, after which time it will repeat the process if TX or RX activity is detected. Effectively, LED2 is activated solid for a link. When transmit or receive activity is sensed LED2 will flash as an activity indicator.</p> <p><b>nLED3 (Full-Duplex Indicator).</b> This signal is driven low when the link is operating in full-duplex mode.</p>
10	RBIAS	RBIAS	AI	1	<b>PLL Bias:</b> Connect to an external 12.0K ohm 1.0% resistor to ground. Used for the PLL Bias circuit.
9	Test Pin	ATEST	I	1	This pin must be connected to VDD for normal operation.
2	Internal Regulator Power	VREG	P	1	3.3V input for internal voltage regulator
20,28,35, 42,48,55,61,97	+3.3V I/O Power	VDD_IO	P	8	+3.3V I/O logic power supply pins
19,27,34,41,47, 54,60,96	I/O Ground	GND_IO	P	8	Ground for I/O pins
81,85,89	+3.3V Analog Power	VDD_A	P	3	+3.3V Analog power supply pins. See <a href="#">Note 2-1</a>
77,80,86,88	Analog Ground	VSS_A	P	4	Ground for analog circuitry
3,65	Core Voltage Decoupling	VDD_CORE	P	2	1.8 V from internal core regulator. Both pins must be connected together externally and then tied to a 10uF 0.1-Ohm ESR capacitor, in parallel with a 0.01uF capacitor to Ground next to each pin. These pins must not be used to supply power to other external devices. See <a href="#">Note 2-1</a>

**TABLE 2-5: SYSTEM AND POWER SIGNALS (CONTINUED)**

Pin No.	Name	Symbol	Buffer Type	# Pins	Description
1,66	Core Ground	GND_CORE	P	2	Ground for internal digital logic
7	PLL Power	VDD_PLL	P	1	1.8V Power from the internal PLL regulator. This external pin must be connected to a 10uF 0.1-Ohm ESR capacitor, in parallel with a 0.01uF capacitor to Ground. This pin must not be used to supply power to other external devices. See <a href="#">Note 2-1</a>
4	PLL Ground	VSS_PLL	P	1	GND for the PLL
8	Reference Power	VDD_REF	P	1	Connected to 3.3v power and used as the reference voltage for the internal PLL
11	Reference Ground	VSS_REF	P	1	Ground for internal PLL reference voltage

**Note 2-1** Please refer to the Microchip application note AN 12.5 titled “Designing with the LAN9118 - Getting Started”. It is also important to note that this application note applies to the whole Microchip LAN9118 family of Ethernet controllers. However, subtle differences may apply.

## 2.1 Buffer Types

**TABLE 2-6: BUFFER TYPES**

Type	Description
I	Input pin
IS	Schmitt triggered Input
O12	Output with 12mA sink and 12mA source
OD12	Open-drain output with 12mA sink
IO8	I/O with 8mA symmetrical drive
OD8	Open-drain output with 8mA sink
O8	Output 8mA symmetrical drive
PU	50uA (typical) internal pull-up
PD	50uA (typical) internal pull-down
AI	Analog input
AO	Analog output
AIO	Analog bi-directional
ICLK	Crystal oscillator input pin
OCLK	Crystal oscillator output pin

## 3.0 FUNCTIONAL DESCRIPTION

### 3.1 10/100 Ethernet MAC

The Ethernet Media Access controller (MAC) incorporates the essential protocol requirements for operating an Ethernet/IEEE 802.3-compliant node and provides an interface between the host subsystem and the internal Ethernet PHY. The MAC can operate in either 100-Mbps or 10-Mbps mode.

The MAC operates in both half-duplex and full-duplex modes. When operating in half-duplex mode, the MAC complies fully with Section 4 of ISO/IEC 8802-3 (ANSI/IEEE standard) and ANSI/IEEE 802.3 standards. When operating in full-duplex mode, the MAC complies with IEEE 802.3x full-duplex operation standard.

The MAC provides programmable enhanced features designed to minimize host supervision, bus utilization, and pre- or post-message processing. These features include the ability to disable retries after a collision, dynamic FCS (Frame Check Sequence) generation on a frame-by-frame basis, automatic pad field insertion and deletion to enforce minimum frame size attributes, and automatic retransmission and detection of collision frames.

The MAC can sustain transmission or reception of minimally-sized back-to-back packets at full line speed with an inter-packet gap (IPG) of 9.6 microseconds for 10 Mbps and 0.96 microseconds for 100 Mbps.

The primary attributes of the MAC Function are:

- Transmit and receive message data encapsulation
- Framing (frame boundary delimitation, frame synchronization)
- Error detection (physical medium transmission errors)
- Media access management
- Medium allocation (collision detection, except in full-duplex operation)
- Contention resolution (collision handling, except in full-duplex operation)
- Flow control during full-duplex mode
- Decoding of control frames (PAUSE command) and disabling the transmitter
- Generation of control frames
- Interface to the internal PHY

The transmit and receive data paths are separate within the LAN9116 from the MAC to host interface allowing the highest performance, especially in full duplex mode. Payload data as well as transmit and receive status are passed on these busses.

A third internal bus is used to access the MAC's "Control and Status Registers" (CSR's). This bus is also accessible from the host.

On the backend, the MAC interfaces with the 10/100 PHY through an internal MII (Media Independent Interface) port, internal to the LAN9116. The MAC CSR's also provide a mechanism for accessing the PHY's internal registers through the internal SMI (Serial Management Interface) bus.

The receive and transmit FIFOs allow increased packet buffer storage to the MAC. The FIFOs are a conduit between the host interface and the MAC through which all transmitted and received data and status information is passed. Deep FIFOs allow a high degree of latency tolerance relative to the various transport and OS software stacks reducing and minimizing overrun conditions. Like the MAC, the FIFOs have separate receive and transmit data paths.

The LAN9116 can store up to 250 Ethernet packets utilizing FIFOs, totaling 16K bytes, with a packet granularity of 4 bytes. This memory is shared by the RX and TX blocks and is configurable in terms of allocation. This depth of buffer storage minimizes or eliminates receive overruns.

## 3.2 Flow Control

The LAN9116 Ethernet MAC supports full-duplex flow control using the pause operation and control frame. It also supports half-duplex flow control using back pressure.

### 3.2.1 FULL-DUPLEX FLOW CONTROL

The pause operation inhibits data transmission of data frames for a specified period of time. A Pause operation consists of a frame containing the globally assigned multicast address (01-80-C2-00-00-01), the PAUSE opcode, and a parameter indicating the quantum of slot time (512 bit times) to inhibit data transmissions. The PAUSE parameter may range from 0 to 65,535 slot times. The Ethernet MAC logic, on receiving a frame with the reserved multicast address and PAUSE opcode, inhibits data frame transmissions for the length of time indicated. If a Pause request is received while a transmission is in progress, then the pause will take effect after the transmission is complete. Control frames are received and processed by the MAC and are passed on.

The MAC also transmits control frames (pause command) via both hardware and software control. The software driver requests the MAC to transmit a control frame and gives the value of the PAUSE time to be used in the control frame. The MAC Function constructs a control frame with the appropriate values set in all the different fields (as defined in the 802.3x specification) and transmits the frame to the MII interface. The transmission of the control frame is not affected by the current state of the Pause timer value that is set because of a recently received control frame.

### 3.2.2 HALF-DUPLEX FLOW CONTROL (BACKPRESSURE)

In half-duplex mode, back pressure is used for flow control. Whenever the receive buffer/FIFO becomes full or crosses a certain threshold level, the MAC starts sending a Jam signal. The MAC transmit logic enters a state at the end of current transmission (if any), where it waits for the beginning of a received frame. Once a new frame starts, the MAC starts sending the Jam signal, which will result in a collision. After sensing the collision, the remote station will back off its transmission. The MAC continues sending the jam to make other stations defer transmission. The MAC only generates this collision-based back pressure when it receives a new frame, in order to avoid any late collisions.

### 3.2.3 VIRTUAL LOCAL AREA NETWORK (VLAN)

VLAN is a means to form a "broadcast domain" without restriction on the physical or geographical location on the members of that domain. VLAN can be implemented in any number of different factors, such as:

- Physical port
- MAC address
- Layer-3 unicast address
- Multicast address
- Date/time in combination with MAC address, etc.

An example of a VLAN is depicted in Figure 3-1, "VLAN Topology". It demonstrates the freedom from physical constraint on the network, and the ability to divide a single switched network into a smaller broadcast domain.

Moreover, VLAN offers a number of other advantages, such as:

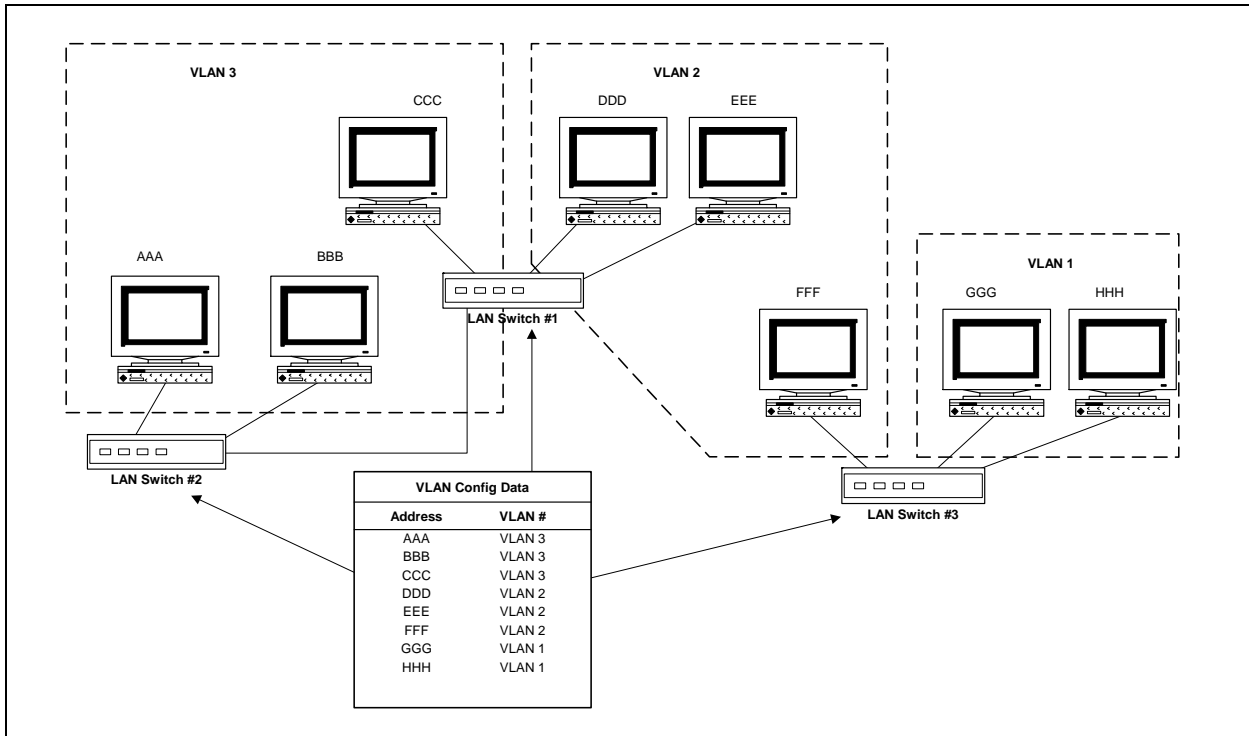
**Configurability:** Changes to an existing VLAN can be made on the network administrative level, rather than on the hardware level. A member of a VLAN can thus change its MAC address or its port and still be a member of the same VLAN. Extra routing is not necessary.

**Security:** VLAN can improve security by demanding a predefined authentication before admitting a new member to the domain.

**Network efficiency:** Allows shielding one system resource from traffic not meant for that resource. A workstation in one VLAN is shielded from traffic on another VLAN, increasing that workstation's efficiency.

**Broadcast containment:** Leakage of broadcast frames from one VLAN to another is prevented.

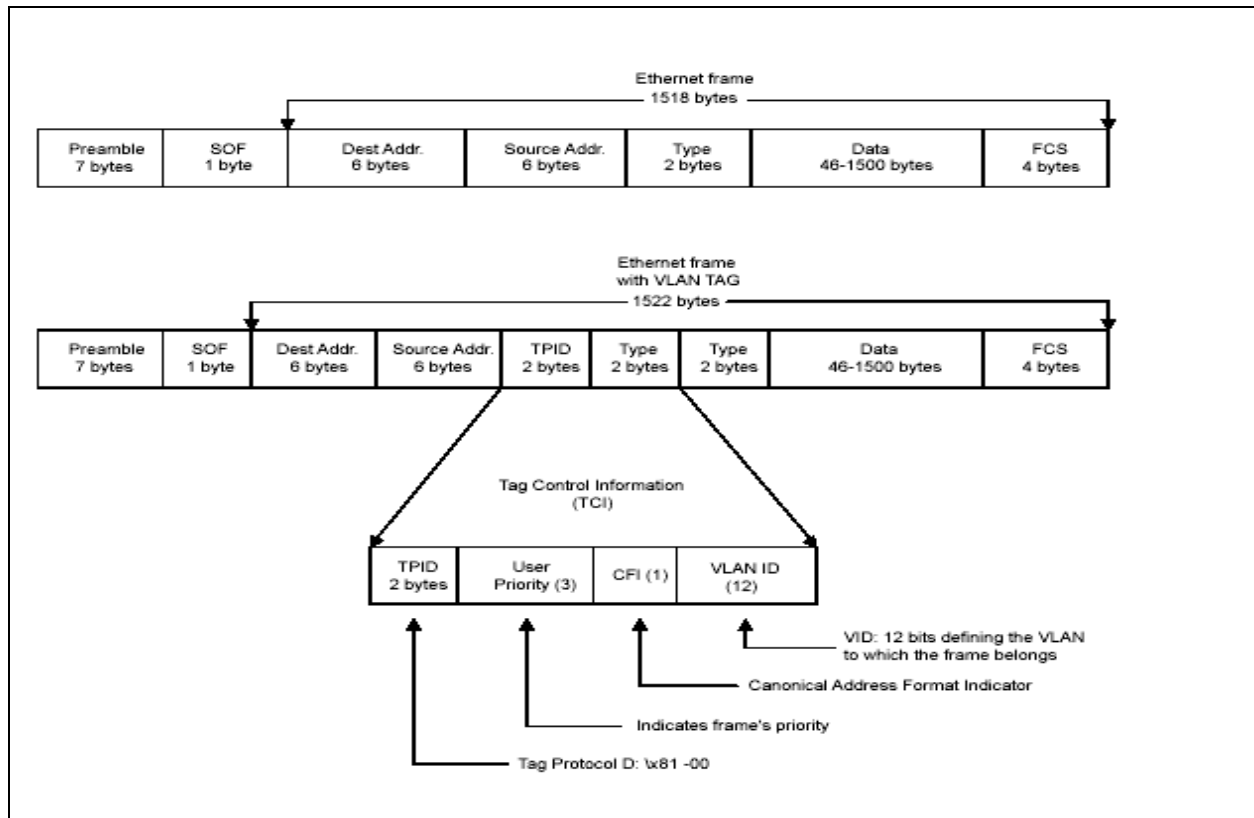
FIGURE 3-1: VLAN TOPOLOGY



When the members of a VLAN are not located on the same physical medium, the VLAN uses a tag to help it determine how to forward the frame from one member to another. The tag structure was proprietary until the IEEE released a supplement to 802.3 defining the VLAN frame structure, including the tag. This new frame structure for VLAN is depicted in Figure 3-2, "VLAN Frame".



FIGURE 3-2: VLAN FRAME



The MAC Function recognizes transmitted and received frames tagged with either one-level or two-level VLAN IDs. The MAC compares the thirteenth and fourteenth bytes of transmit and receive frames to the contents of both the one-level VLAN tag register and the two-level VLAN tag register. If a match is found, the MAC Function identifies the frame as either a one- or two-level VLAN frame, depending on where the match was found. Upon recognizing that a frame has a VLAN tag, counter thresholds are adjusted to account for the extra bytes that the VLAN tag adds to the frame. The maximum length of the good packet is thus changed from 1518 bytes to 1522 bytes.

## 3.3 Address Filtering Functional Description

The Ethernet address fields of an Ethernet Packet, consists of two 6-byte fields: one for the destination address and one for the source address. The first bit of the destination address signifies whether it is a physical address or a multicast address.

The LAN9116 address check logic filters the frame based on the Ethernet receive filter mode that has been enabled. Filter modes are specified based on the state of the control bits in [Table 3-1, "Address Filtering Modes"](#), which shows the various filtering modes used by the Ethernet MAC Function. These bits are defined in more detail in the "MAC Control Register". Please refer to [Section 5.4.1, "MAC\\_CR—MAC Control Register," on page 75](#) for more information on this register.

If the frame fails the filter, the Ethernet MAC function does not receive the packet. The host has the option of accepting or ignoring the packet.

**TABLE 3-1: ADDRESS FILTERING MODES**

MCPAS	PRMS	INVFILT	HO	HPFILT	Description
0	0	0	0	0	MAC address perfect filtering only for all addresses.
0	0	0	0	1	MAC address perfect filtering for physical address and hash filtering for multicast addresses
0	0	0	1	1	Hash Filtering for physical and multicast addresses
0	0	1	0	0	Inverse Filtering
X	1	0	X	X	Promiscuous
1	0	0	0	X	Pass all multicast frames. Frames with physical addresses are perfect-filtered
1	0	0	1	1	Pass all multicast frames. Frames with physical addresses are hash-filtered

## 3.4 Filtering Modes

### 3.4.1 PERFECT FILTERING

This filtering mode passes only incoming frames whose destination address field exactly matches the value programmed into the MAC Address High register and the MAC address low register. The MAC address is formed by the concatenation of the above two registers in the MAC CSR Function.

### 3.4.2 HASH ONLY FILTERING

This type of filtering checks for incoming Receive packets with either multicast or physical destination addresses, and executes an imperfect address filtering against the hash table.

During imperfect hash filtering, the destination address in the incoming frame is passed through the CRC logic and the upper six bits of the CRC register are used to index the contents of the hash table. The hash table is formed by merging the register's multicast hash table high and multicast hash table low in the MAC CSR Function to form a 64-bit hash table. The most significant bit determines the register to be used (High/Low), while the other five bits determine the bit within the register. A value of 00000 selects Bit 0 of the multicast hash table low register and a value of 11111 selects Bit 31 of the multicast hash table high register.

#### 3.4.2.1 Hash Perfect Filtering

In hash perfect filtering, if the received frame is a physical address, the LAN9116 Packet Filter block perfect-filters the incoming frame's destination field with the value programmed into the MAC Address High register and the MAC Address Low register. If the incoming frame is a multicast frame, however, the LAN9116 packet filter function performs an imperfect address filtering against the hash table.

The imperfect filtering against the hash table is the same imperfect filtering process described in the "Hash Only Filtering" section above.

## 3.4.2.2 Inverse Filtering

In inverse filtering, the LAN9116 Packet Filter Block accepts incoming frames with a destination address not matching the perfect address (i.e., the value programmed into the MAC Address High register and the MAC Address Low register in the CRC block and rejects frames with destination addresses matching the perfect address.

For all filtering modes, when MCPAS is set, all multicast frames are accepted. When the PRMS bit is set, all frames are accepted regardless of their destination address. This includes all broadcast frames as well.

## 3.5 Wake-up Frame Detection

Setting the Wake-Up Frame Enable bit (WUEN) in the “WUCSR—Wake-up Control and Status Register”, places the LAN9116 MAC in the wake-up frame detection mode. In this mode, normal data reception is disabled, and detection logic within the MAC examines receive data for the pre-programmed wake-up frame patterns. The LAN9116 can be programmed to notify the host of the wake-up frame detection with the assertion of the host interrupt (IRQ) or assertion of the power management event signal (PME). Upon detection, the Wake-Up Frame Received bit (WUFR) in the WUCSR is set. When the host clears the WUEN bit the LAN9116 will resume normal receive operation.

Before putting the MAC into the wake-up frame detection state, the host must provide the detection logic with a list of sample frames and their corresponding byte masks. This information is written into the Wake-up Frame Filter register (WUFF). Please refer to [Section 5.4.11, “WUFF—Wake-up Frame Filter,” on page 82](#) for additional information on this register.

The MAC supports four programmable filters that support many different receive packet patterns. If remote wake-up mode is enabled, the remote wake-up function receives all frames addressed to the MAC. It then checks each frame against the enabled filter and recognizes the frame as a remote wake-up frame if it passes the wakeup frame filter register’s address filtering and CRC value match.

In order to determine which bytes of the frames should be checked by the CRC module, the MAC uses a programmable byte mask and a programmable pattern offset for each of the four supported filters.

The pattern’s offset defines the location of the first byte that should be checked in the frame. Since the destination address is checked by the address filtering Function, the pattern offset is always greater than 12.

The byte mask is a 31-bit field that specifies whether or not each of the 31 contiguous bytes within the frame, beginning in the pattern offset, should be checked. If bit *j* in the byte mask is set, the detection logic checks byte offset +*j* in the frame. In order to load the Wake-up Frame Filter register, the host LAN driver software must perform eight writes to the Wake-up Frame Filter register (WUFF). The Diagram shown in [Table 3-2, “Wake-Up Frame Filter Register Structure”](#) below, shows the wake-up frame filter register’s structure.

- Note 3-1** Wake-up frame detection can be performed when LAN9116 is in the D0 or D1 power states. In the D0 state, wake-up frame detection is enabled when the WUEN bit is set.
- Note 3-2** Wake-up frame detection, as well as Magic Packet detection, is always enabled and cannot be disabled when the device enters the D1 state.
- Note 3-3** When wake-up frame detection is enabled via the WUEN bit of the [WUCSR—Wake-up Control and Status Register](#), a broadcast wake-up frame will wake-up the device despite the state of the Disable Broadcast Frames (BCAST) bit in the [MAC\\_CR—MAC Control Register](#).

**TABLE 3-2: WAKE-UP FRAME FILTER REGISTER STRUCTURE**

Filter 0 Byte Mask							
Filter 1 Byte Mask							
Filter 2 Byte Mask							
Filter 3 Byte Mask							
Reserved	Filter 3 Command	Reserved	Filter 2 Command	Reserved	Filter 1 Command	Reserved	Filter 0 Command
Filter 3 Offset		Filter 2 Offset		Filter 1 Offset		Filter 0 Offset	
Filter 1 CRC-16				Filter 0 CRC-16			
Filter 3 CRC-16				Filter 2 CRC-16			

The Filter *i* Byte Mask defines which incoming frame bytes Filter *i* will examine to determine whether or not this is a wake-up frame. [Table 3-3](#), describes the byte mask’s bit fields.

# LAN9116

**TABLE 3-3: FILTER I BYTE MASK BIT DEFINITIONS**

Filter i Byte Mask Description	
Field	Description
31	Must be zero (0)
30:0	<b>Byte Mask:</b> If bit j of the byte mask is set, the CRC machine processes byte number pattern - (offset + j) of the incoming frame. Otherwise, byte pattern - (offset + j) is ignored.

The Filter i command register controls Filter i operation. [Table 3-4](#) shows the Filter I command register.

**TABLE 3-4: FILTER I COMMAND BIT DEFINITIONS**

Filter i Commands	
Field	Description
3	<b>Address Type:</b> Defines the destination address type of the pattern. When bit is set, the pattern applies only to multicast frames. When bit is cleared, the pattern applies only to unicast frames.
2:1	<b>RESERVED</b>
0	<b>Enable Filter:</b> When bit is set, Filter i is enabled, otherwise, Filter i is disabled.

The Filter i Offset register defines the offset in the frame's destination address field from which the frames are examined by Filter i. [Table 3-5](#) describes the Filter i Offset bit fields.

**TABLE 3-5: FILTER I OFFSET BIT DEFINITIONS**

Filter i Offset Description	
Field	Description
7:0	<b>Pattern Offset:</b> The offset of the first byte in the frame on which CRC is checked for wake-up frame recognition. The minimum value of this field must be 12 since there should be no CRC check for the destination address and the source address fields. The MAC checks the first offset byte of the frame for CRC and checks to determine whether the frame is a wake-up frame. Offset 0 is the first byte of the incoming frame's destination address.

The Filter i CRC-16 register contains the CRC-16 result of the frame that should pass Filter i.

[Table 3-6](#) describes the Filter i CRC-16 bit fields.

**TABLE 3-6: FILTER I CRC-16 BIT DEFINITIONS**

Filter i CRC-16 Description	
Field	Description
15:0	<b>Pattern CRC-16:</b> This field contains the 16-bit CRC value from the pattern and the byte mask programmed to the wake-up filter register Function. This value is compared against the CRC calculated on the incoming frame, and a match indicates the reception of a wakeup frame.

## 3.5.1 MAGIC PACKET DETECTION

Setting the Magic Packet Enable bit (MPEN) in the "WUCSR—Wake-up Control and Status Register", places the LAN9116 MAC in the "Magic Packet" detection mode. In this mode, normal data reception is disabled, and detection logic within the MAC examines receive data for a Magic Packet. The LAN9116 can be programmed to notify the host of the "Magic Packet" detection with the assertion of the host interrupt (IRQ) or assertion of the power management event signal (PME). Upon detection, the Magic Packet Received bit (MPR) in the WUCSR is set. When the host clears the MPEN bit the LAN9116 will resume normal receive operation. Please refer to [Section 5.4.12, "WUCSR—Wake-up Control and Status Register," on page 82](#) for additional information on this register.

In Magic Packet mode, the Power Management Logic constantly monitors each frame addressed to the node for a specific Magic Packet pattern. It checks only packets with the MAC's address or a broadcast address to meet the Magic Packet requirement. The Power Management Logic checks each received frame for the pattern 48h FF\_FF\_FF\_FF\_FF\_FF after the destination and source address field.

Then the Function looks in the frame for 16 repetitions of the MAC address without any breaks or interruptions. In case of a break in the 16 address repetitions, the PMT Function scans for the 48'hFF\_FF\_FF\_FF\_FF\_FF pattern again in the incoming frame.

The 16 repetitions may be anywhere in the frame but must be preceded by the synchronization stream. The device will also accept a multicast frame, as long as it detects the 16 duplications of the MAC address. If the MAC address of a node is 00h 11h 22h 33h 44h 55h, then the MAC scans for the following data sequence in an Ethernet: Frame.

```
Destination Address Source Address .....FF FF FF FF FF FF
00 11 22 33 44 55 00 11 22 33 44 55 00 11 22 33 44 55 00 11 22 33 44 55
00 11 22 33 44 55 00 11 22 33 44 55 00 11 22 33 44 55 00 11 22 33 44 55
00 11 22 33 44 55 00 11 22 33 44 55 00 11 22 33 44 55 00 11 22 33 44 55
00 11 22 33 44 55 00 11 22 33 44 55 00 11 22 33 44 55 00 11 22 33 44 55
...CRC
```

It should be noted that Magic Packet detection can be performed when LAN9116 is in the D0 or D1 power states. In the D0 state, "Magic Packet" detection is enabled when the MPEN bit is set. In the D1 state, Magic Packet detection, as well as wake-up frame detection, are automatically enabled when the device enters the D1 state.

### 3.6 32-bit vs. 16-bit Host Bus Width Operation

The LAN9116 can be configured to communicate with the host bus via either a 32-bit or a 16-bit bus. An external strap is used to select between the two modes. 32-bit mode is the native environment for the LAN9116 Ethernet controller and no special requirements exist for communication in this mode. However, when this part is used in the 16-bit mode, two writes or reads must be performed back to back to properly communicate.

The bus width is set by strapping the EEDIO pin; this setting can be read from bit 2 of the "Hardware Configuration Register". Please refer to [Section 5.3.9, "HW\\_CFG—Hardware Configuration Register," on page 61](#) for additional information on this register.

#### 3.6.1 16-BIT BUS WRITES

The host processor is required to perform two contiguous 16-bit writes to complete a single DWORD transfer. This DWORD must begin and end on a DWORD address boundary (A[2] and higher, cannot change during a sixteen bit write). No ordering requirements exist. The processor can access either the low or high word first, as long as the next write is performed to the other word. If a write to the same word is performed, the LAN9116 disregards the transfer.

#### 3.6.2 16-BIT BUS READS

The host processor is required to perform two consecutive 16-bit reads to complete a single DWORD transfer. This DWORD must begin and end on a DWORD address boundary (A[2] and higher, cannot change during a sixteen bit read). No ordering requirements exist. The processor can access either the low or high word first, as long as the next read is performed from the other word. If a read to the same word is performed, the data read is invalid and should be re-read. This is not a fatal error. The LAN9116 will reset its read counters and restart a new cycle on the next read. The Upper 16 data pins (D[31:16]) are not driven by the LAN9116 in 16-bit mode. These pins have internal pull-down's and the signals are left in a high-impedance state.

### 3.7 Big and Little Endian Support

The Microchip LAN9116 supports "Big-" or "Little-Endian" processors in either 16 or 32-bit bus width modes. To support big-endian processors, the hardware designer must explicitly invert the layout of the byte lanes. In addition, for a 16-bit interface, the [WORD\\_SWAP—Word Swap Control](#) must be set correctly following [Table 3-7, "Byte Lane Mapping"](#).

The host bus interface can be selected via an external strap to translate the data bus into either mode. Please refer to [Table 2-4, "Serial EEPROM Interface Signals," on page 10](#), for information on multiplexed signal D32/nD16 for more information on data bus width selection.

Additionally, please refer to [Section 5.3.17, "WORD\\_SWAP—Word Swap Control," on page 68](#) for additional information on status indication on Endian modes.

# LAN9116

**TABLE 3-7: BYTE LANE MAPPING**

Mode of Operation	Data Pins				Description
	D[31:24]	D[23:16]	D[15:8]	D[7:0]	
32-bit	Byte 3 (MSB)	Byte 2	Byte 1	Byte 0 (LSB)	This is the native mode of the LAN9116. Endianess does not matter when both WORD lanes are in operation.
<b>Mode 0 (WORD_SWAP—Word Swap Control equal to FFFFFFFFh)</b>					
A1 = 0	--	--	Byte 3	Byte 2	<b>Note:</b> This mode can be used by 32-bit processors operating with an external 16-bit bus.
A1 = 1	--	--	Byte 1	Byte 0	
<b>Mode 1 (WORD_SWAP—Word Swap Control not equal to FFFFFFFFh)</b>					
A1 = 0	--	--	Byte 1	Byte 0	<b>Note:</b> This mode can also be used by native 16-bit processors.
A1 = 1	--	--	Byte 3	Byte 2	

Regarding the 32-bit mode description of operation comment described in the table above, mentioning “It should be noted that Endianess does not matter when both WORD lanes are in operation” is true for the LAN9116 device. However, as in all designs, it is important for the PCB layout designer to route the signal byte lanes appropriately relative to the processor type (Big vs. Little Endian).

## 3.8 General Purpose Timer (GP Timer)

The General Purpose Timer is a programmable block that can be used to generate periodic host interrupts. The resolution of this timer is 100uS.

The GP Timer loads the GPT\_CNT Register with the value in the GPT\_LOAD field and begins counting down when the TIMER\_EN bit is set to a ‘1.’ On a reset, or when the TIMER\_EN bit changes from set ‘1’ to cleared ‘0,’ the GPT\_CNT field is initialized to FFFFh. The GPT\_CNT register is also initialized to FFFFh on a reset. Software can write the pre-load value into the GPT\_LOAD field at any time; e.g., before or after the TIMER\_EN bit is asserted. The GPT Enable bit TIMER\_EN is located in the GPT\_CFG register.

Once enabled, the GPT counts down either until it reaches 0000h or until a new pre-load value is written to the GPT\_LOAD field. At 0000h, the counter wraps around to FFFFh, asserts the GPT interrupt status bit and the IRQ signal if the GPT\_INT\_EN bit is set, and continues counting. The GPT interrupt status bit is in the INT\_STS Register. The GPT\_INT hardware interrupt can only be set if the GPT\_INT\_EN bit is set. GPT\_INT is a sticky bit (R/WC); i.e., once the GPT\_INT bit is set, it can only be cleared by writing a ‘1’ to the bit.

## 3.9 EEPROM Interface

LAN9116 can optionally load its MAC address from an external serial EEPROM. If a properly configured EEPROM is detected by LAN9116 at power-up, hard reset or soft reset, the ADDRH and ADDRL registers will be loaded with the contents of the EEPROM. If a properly configured EEPROM is not detected, it is the responsibility of the host LAN Driver to set the IEEE addresses.

The LAN9116 EEPROM controller also allows the host system to read, write and erase the contents of the Serial EEPROM. The EEPROM controller supports most “93C46” type EEPROMs configured for 128 x 8-bit operation.

### 3.9.1 MAC ADDRESS AUTO-LOAD

On power-up, hard reset or soft reset, the EEPROM controller attempts to read the first byte of data from the EEPROM (address 00h). If the value A5h is read from the first address, then the EEPROM controller will assume that an external Serial EEPROM is present. The EEPROM controller will then access the next EEPROM byte and send it to the MAC Address register byte 0 (ADDRL[7:0]). This process will be repeated for the next five bytes of the MAC Address, thus fully programming the 48-bit MAC address. Once all six bytes have been programmed, the “MAC Address Loaded” bit is set in the E2P\_CMD register. A detailed explanation of the EEPROM byte ordering with respect to the MAC address is given in [Section 5.4.3, "ADDRL—MAC Address Low Register," on page 77](#).

If an 0xA5h is not read from the first address, the EEPROM controller will end initialization. It is then the responsibility of the host LAN driver software to set the IEEE address by writing to the MAC’s ADDRH and ADDRL registers.

The host can initiate a reload of the MAC address from the EEPROM by issuing the RELOAD command via the E2P command (E2P\_CMD) register. If the first byte read from the EEPROM is not A5h, it is assumed that the EEPROM is not present, or not programmed, and the MAC address reload will fail. The “MAC Address Loaded” bit indicates a successful reload of the MAC address.

### 3.9.2 EEPROM HOST OPERATIONS

After the EEPROM controller has finished reading (or attempting to read) the MAC after power-on, hard reset or soft reset, the host is free to perform other EEPROM operations. EEPROM operations are performed using the E2P\_CMD and E2P data (E2P\_DATA) registers. [Section 5.3.23, "E2P\\_CMD – EEPROM Command Register," on page 72](#) provides an explanation of the supported EEPROM operations.

If the EEPROM operation is the “write location” (WRITE) or “write all” (WRAL) commands, the host must first write the desired data into the E2P\_DATA register. The host must then issue the WRITE or WRAL command using the E2P\_CMD register by setting the EPC\_CMD field appropriately. If the operation is a WRITE, the EPC\_ADDR field in E2P\_CMD must also be set to the desired location. The command is executed when the host sets the EPC\_BSY bit high. The completion of the operation is indicated when the EPC\_BSY bit is cleared.

If the EEPROM operation is the “read location” (READ) operation, the host must issue the READ command using the E2P\_CMD with the EPC\_ADDR set to the desired location. The command is executed when the host sets the EPC\_BSY bit high. The completion of the operation is indicated when the EPC\_BSY bit is cleared, at which time the data from the EEPROM may be read from the E2P\_DATA register.

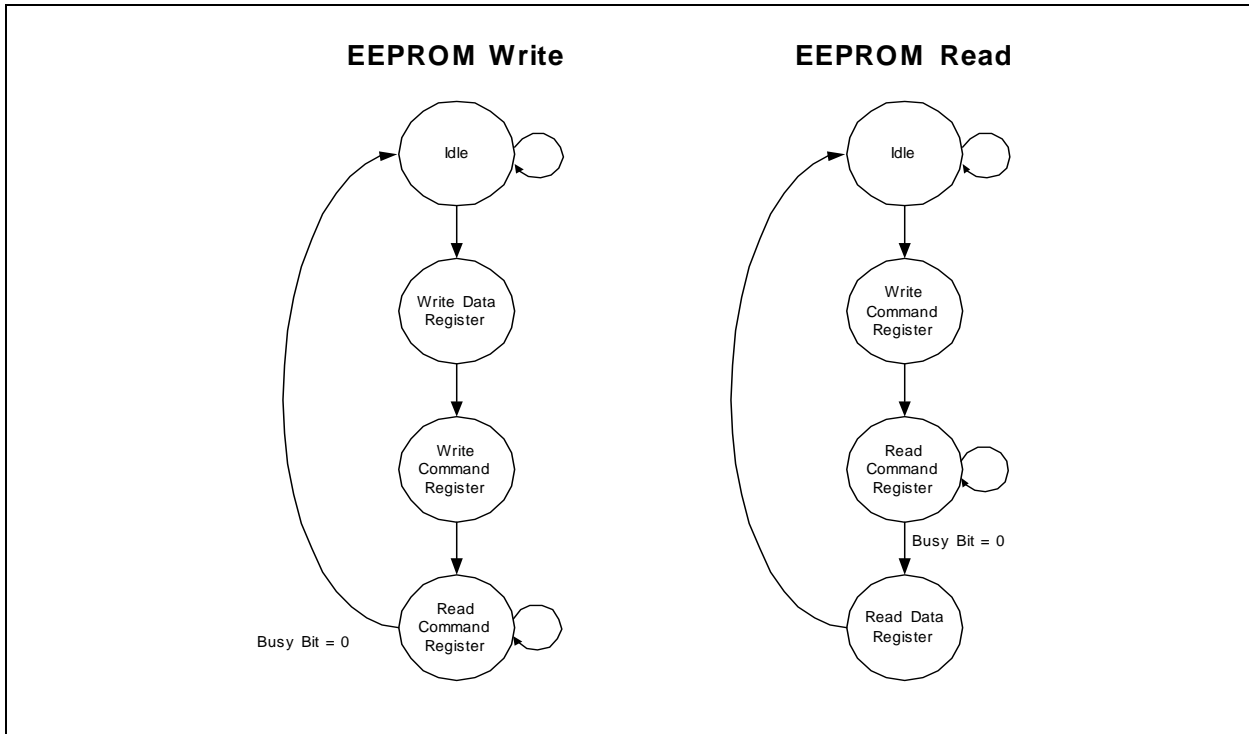
Other EEPROM operations are performed by writing the appropriate command to the EPC\_CMD register. The command is executed when the host sets the EPC\_BSY bit high. The completion of the operation is indicated when the EPC\_BSY bit is cleared. In all cases the host must wait for EPC\_BSY to clear before modifying the E2P\_CMD register.

<b>Note:</b> The EEPROM device powers-up in the erase/write disabled state. To modify the contents of the EEPROM the host must first issue the EWEN command.
--

If an operation is attempted, and an EEPROM device does not respond within 30mS, the LAN9116 will timeout, and the EPC timeout bit (EPC\_TO) in the E2P\_CMD register will be set.

Figure 3-3, "EEPROM Access Flow Diagram" illustrates the host accesses required to perform an EEPROM Read or Write operation.

**FIGURE 3-3: EEPROM ACCESS FLOW DIAGRAM**



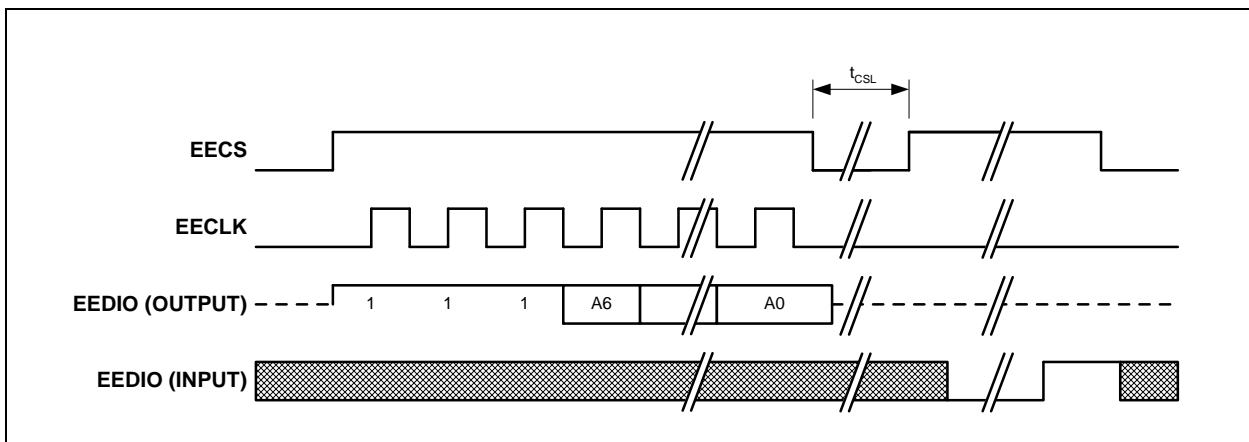
The host can disable the EEPROM interface through the GPIO\_CFG register. When the interface is disabled, the EEDIO and ECLK signals can be used as general-purpose outputs, or they may be used to monitor internal MII signals.

### 3.9.2.1 Supported EEPROM Operations

The EEPROM controller supports the following EEPROM operations under host control via the E2P\_CMD register. The operations are commonly supported by “93C46” EEPROM devices. A description and functional timing diagram is provided below for each operation. Please refer to the E2P\_CMD register description in [Section 5.3.23, "E2P\\_CMD – EEPROM Command Register," on page 72](#) for E2P\_CMD field settings for each command.

**ERASE (Erase Location):** If erase/write operations are enabled in the EEPROM, this command will erase the location selected by the EPC Address field (EPC\_ADDR). The EPC\_TO bit is set if the EEPROM does not respond within 30ms.

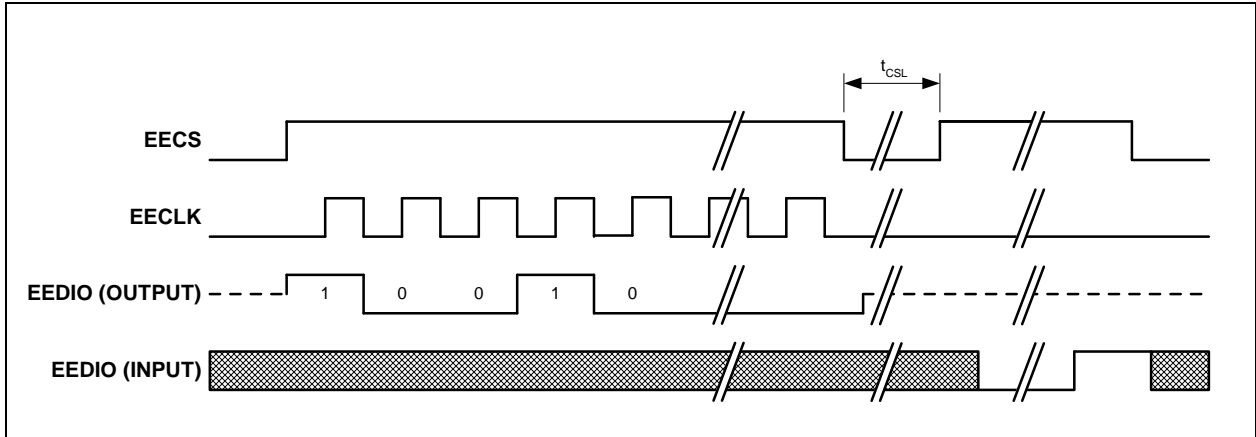
**FIGURE 3-4: EEPROM ERASE CYCLE**





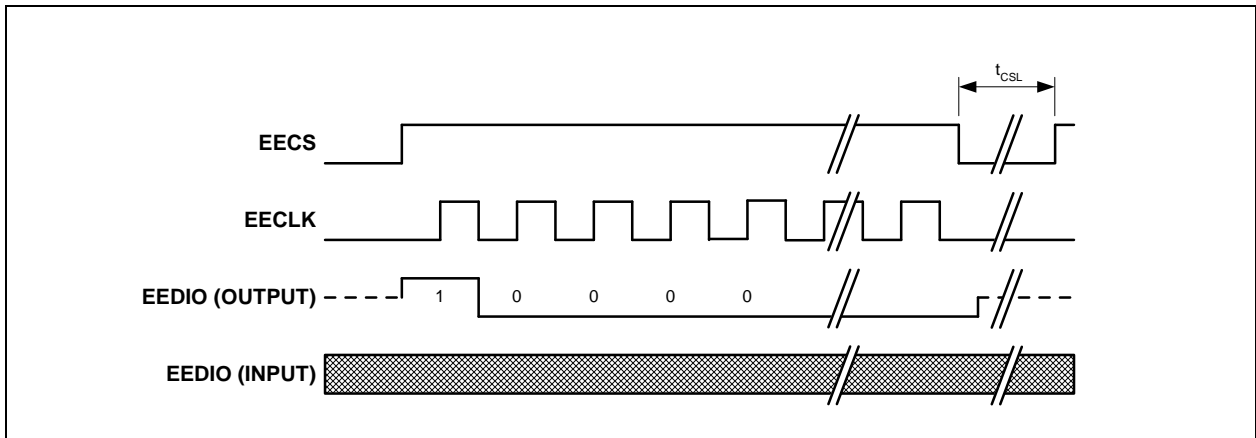
**ERAL (Erase All):** If erase/write operations are enabled in the EEPROM, this command will initiate a bulk erase of the entire EEPROM. The EPC\_TO bit is set if the EEPROM does not respond within 30ms.

**FIGURE 3-5: EEPROM ERAL CYCLE**



**EWDS (Erase/Write Disable):** After issued, the EEPROM will ignore erase and write commands. To re-enable erase/write operations issue the EWEN command.

**FIGURE 3-6: EEPROM EWDS CYCLE**

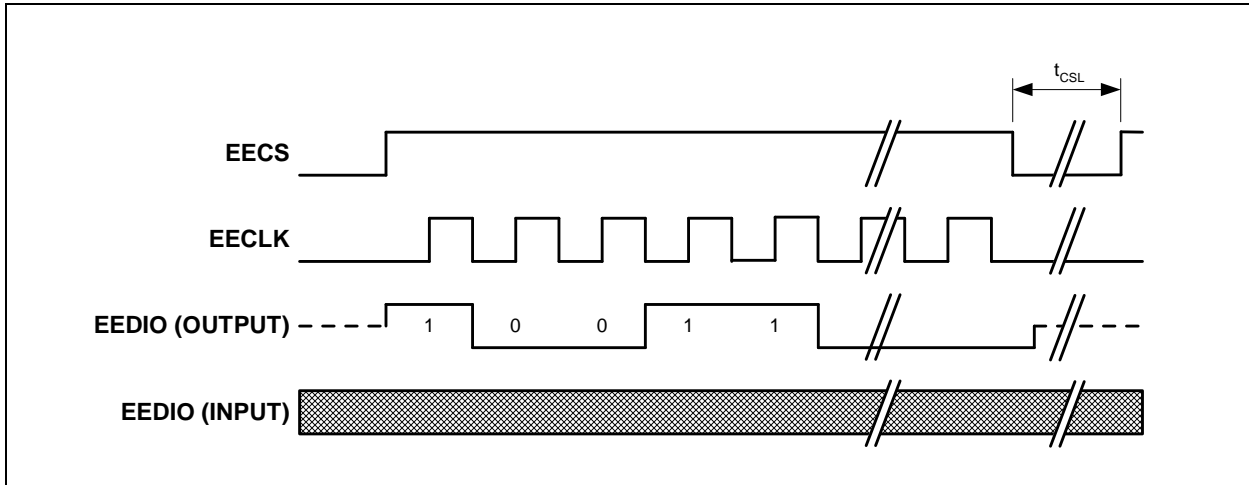


# LAN9116

**EWEN (Erase/Write Enable):** Enables the EEPROM for erase and write operations. The EEPROM will allow erase and write operations until the "Erase/Write Disable" command is sent, or until power is cycled.

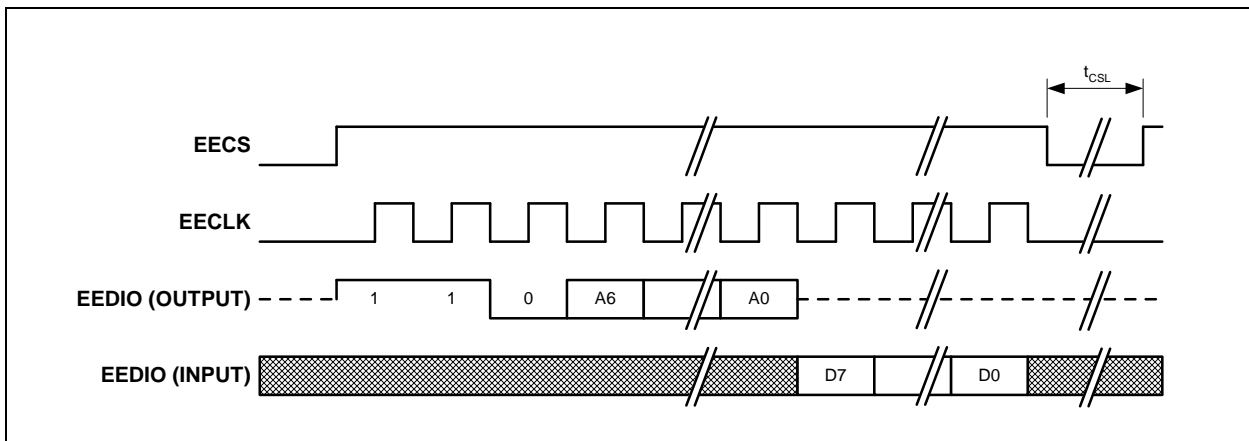
**Note:** The EEPROM device will power-up in the erase/write-disabled state. Any erase or write operations will fail until an Erase/Write Enable command is issued.

**FIGURE 3-7: EEPROM EWEN CYCLE**



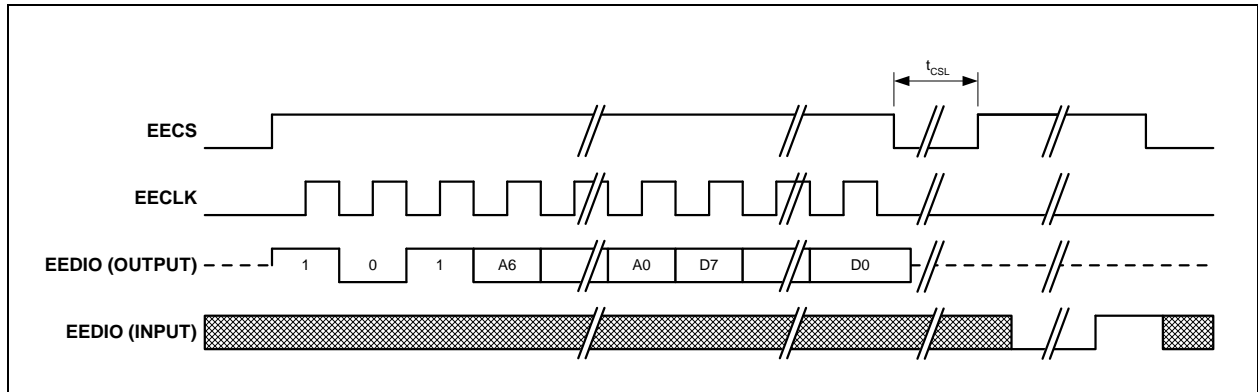
**READ (Read Location):** This command will cause a read of the EEPROM location pointed to by EPC Address (EPC\_ADDR). The result of the read is available in the E2P\_DATA register.

**FIGURE 3-8: EEPROM READ CYCLE**



**WRITE (Write Location):** If erase/write operations are enabled in the EEPROM, this command will cause the contents of the E2P\_DATA register to be written to the EEPROM location selected by the EPC Address field (EPC\_ADDR). The EPC\_TO bit is set if the EEPROM does not respond within 30ms.

**FIGURE 3-9: EEPROM WRITE CYCLE**



**WRAL (Write All):** If erase/write operations are enabled in the EEPROM, this command will cause the contents of the E2P\_DATA register to be written to every EEPROM memory location. The EPC\_TO bit is set if the EEPROM does not respond within 30ms.

**FIGURE 3-10: EEPROM WRAL CYCLE**

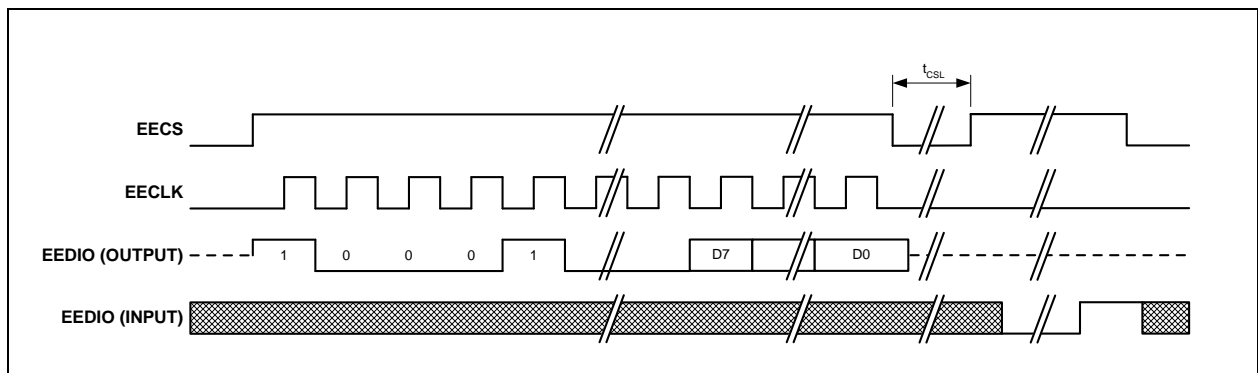


Table 3-8, "Required EECLK Cycles", shown below, shows the number of EECLK cycles required for each EEPROM operation.

**TABLE 3-8: REQUIRED EECLK CYCLES**

Operation	Required EECLK Cycles
ERASE	10
ERAL	10
EWDS	10
EWEN	10
READ	18
WRITE	18
WRAL	18

# LAN9116

---

## 3.9.2.2 MAC Address Reload

The MAC address can be reloaded from the EEPROM via a host command to the E2P\_CMD register. If a value of 0xA5h is not found in the first address of the EEPROM, the EEPROM is assumed to be un-programmed and MAC Address Reload operation will fail. The “MAC Address Loaded” bit indicates a successful load of the MAC address. The EPC\_LOAD bit is set after a successful reload of the MAC address.

## 3.9.2.3 EEPROM Command and Data Registers

Refer to [Section 5.3.23, "E2P\\_CMD – EEPROM Command Register," on page 72](#) and [Section 5.3.24, "E2P\\_DATA – EEPROM Data Register," on page 74](#) for a detailed description of these registers. Supported EEPROM operations are described in these sections.

## 3.9.2.4 EEPROM Timing

Refer to [Section 6.9, "EEPROM Timing," on page 99](#) for detailed EEPROM timing specifications.

## 3.10 Power Management

LAN9116 supports power-down modes to allow applications to minimize power consumption. The following sections describe these modes.

### 3.10.1 SYSTEM DESCRIPTION

Power is reduced to various modules by disabling the clocks as outlined in Table 3-9, “Power Management States,” on page 29. All configuration data is saved when in either of the two low power states. Register contents are not affected unless specifically indicated in the register description.

### 3.10.2 FUNCTIONAL DESCRIPTION

There is one normal operating power state, D0 and there are two power saving states: D1, and D2. Upon entry into either of the two power saving states, only the PMT\_CTRL register is accessible for read operations. In either of the power saving states the READY bit in the PMT\_CTRL register will be cleared. Reads of any other addresses are forbidden until the READY bit is set. All writes, with the exception of the wakeup write to BYTE\_TEST, are also forbidden until the READY bit is set. Only when in the D0 (Normal) state, when the READY bit is set, can the rest of the device be accessed.

**Note 3-4** The LAN9116 must always be read at least once after power-up, reset, or upon return from a power-saving state, otherwise write operations will not function.

In system configurations where the PME signal is shared amongst multiple devices, the WUPS field within the PMT\_CTRL register can be read to determine which LAN9116 device is driving the PME signal.

When the LAN9116 is in a power saving state (D1 or D2), a write cycle to the BYTE\_TEST register will return the LAN9116 to the D0 state. [Table 7-1, “Power Consumption Device Only,” on page 100](#) and [Table 7-2, “Power Consumption Device and System Components,” on page 101](#), shows the power consumption values for each power state.

**Note 3-5** When the LAN9116 is in a power saving state, a write of any data to the BYTE\_TEST register will wake-up the device. DO NOT PERFORM WRITES TO OTHER ADDRESSES while the READY bit in the PMT\_CTRL register is cleared.

#### 3.10.2.1 D1 Sleep

Power consumption is reduced in this state by disabling clocks to portions of the internal logic as shown in [Table 3-9](#). In this mode the clock to the internal PHY and portions of the MAC are still operational. This state is entered when the host writes a '01' to the PM\_MODE bits in the Power Management (PMT\_CTRL) register. The READY bit in PMT\_CTRL is cleared when entering the D1 state.

Wake-up frame and Magic Packet detection are automatically enabled in the D1 state. If properly enabled via the WOL\_EN and PME\_EN bits, the LAN9116 will assert the PME hardware signal upon the detection of the wake-up frame or magic packet. The LAN9116 can also assert the host interrupt (IRQ) on detection of a wake-up frame or magic packet. Upon detection, the WUPS field in PMT\_CTRL will be set to a 10b.

**Note 3-6** The PME interrupt status bit (PME\_INT) in the INT\_STS register is set regardless of the setting of PME\_EN.

**Note 3-7** Wake-up frame and Magic Packet detection is automatically enabled when entering the D1 state. For wake-up frame detection, the wake-up frame filter must be programmed before entering the D1 state

(see [Section 3.5, "Wake-up Frame Detection," on page 19](#)). If used, the host interrupt and PME signal must be enabled prior to entering the D1 state.

A write to the BYTE\_TEST register, regardless of whether a wake-up frame or Magic Packet was detected, will return LAN9116 to the D0 state and will reset the PM\_MODE field to the D0 state. As noted above, the host is required to check the READY bit and verify that it is set before attempting any other reads or writes of the device.

**Note 3-8** The host must do only read accesses prior to the ready bit being set.

Once the READY bit is set, the LAN9116 is ready to resume normal operation. At this time the WUPS field can be cleared.

### 3.10.2.2 D2 Sleep

In this state, as shown in [Table 3-9](#), all clocks to the MAC and host bus are disabled, and the PHY is placed in a reduced power state. To enter this state, the EDPWRDOWN bit in register 17 of the PHY (Mode Control/Status register) must be set. This places the PHY in the Energy Detect mode. The PM\_MODE bits in the PMT\_CTRL register must then be set to 10b. Upon setting the PM\_MODE bits, the LAN9116 will enter the D2 sleep state. The READY bit in PMT\_CTRL is cleared when entering the D2 state.

**Note 3-9** If carrier is present when this state is entered detection will occur immediately.

If properly enabled via the ED\_EN and PME\_EN bits, LAN9116 will assert the PME hardware signal upon detection of a valid carrier. Upon detection, the WUPS field in PMT\_CTRL will be set to a 01b.

**Note 3-10** The PME interrupt status bit on the INT\_STS register (PME\_INT) is set regardless of the setting of PME\_EN.

A write to the BYTE\_TEST register, regardless of whether a carrier was detected, will return LAN9116 to the D0 state and will reset the PM\_MODE field to the D0 state. As noted above, the host is required to check the READY bit and verify that it is set before attempting any other reads or writes of the device. Before LAN9116 is fully awake from this state the EDPWRDOWN bit in register 17 of the PHY must be cleared in order to wake the PHY. Do not attempt to clear the EDPWRDOWN bit until the READY bit is set. After clearing the EDPWRDOWN bit the LAN9116 is ready to resume normal operation. At this time the WUPS field can be cleared.

**TABLE 3-9: POWER MANAGEMENT STATES**

Device Block	D0 (Normal Operation)	D1 (WOL)	D2 (Energy Detect)
PHY	Full ON	Full ON	Energy Detect Power-Down
MAC Power Management	Full ON	RX Power Mgmt. Block On	OFF
MAC and Host Interface	Full ON	OFF	OFF
Internal Clock	Full ON	Full ON	OFF

Key
CLOCK ON
BLOCK DISABLED – CLOCK ON
FULL OFF

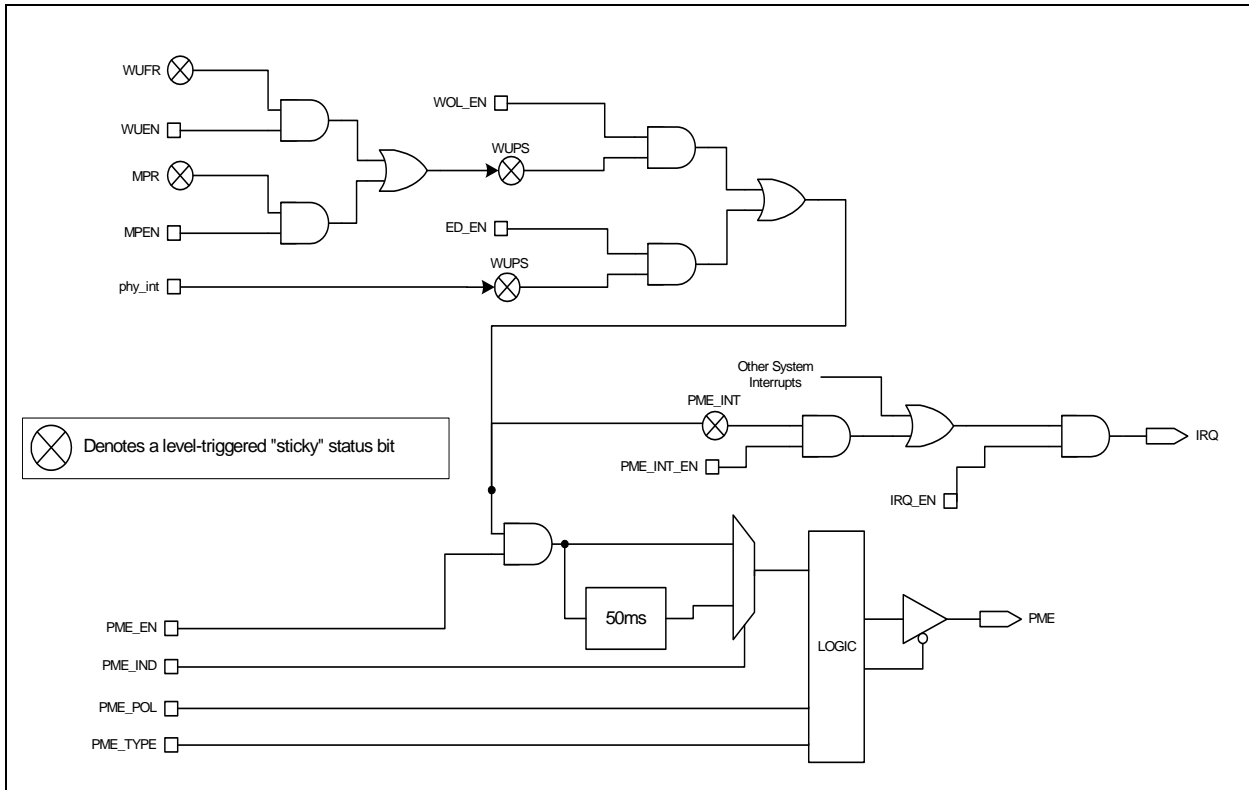
### 3.10.2.3 Power Management Event Indicators

[Figure 3-11](#) is a simplified block diagram of the logic that controls the external PME, and internal pme\_interrupt signals. The pme\_interrupt signal is used to set the PME\_INT status bit in the INT\_STS register, which, if enabled, will generate a host interrupt upon detection of a power management event. The PME\_INT status bit in INT\_STS will remain set until the internal pme\_interrupt signal is cleared by clearing the WUPS bits, or by clearing the corresponding WOL\_EN or ED\_EN bit. After clearing the internal pme\_interrupt signal, the PME\_INT status bit may be cleared by writing a '1' to this bit in the INT\_STS register. It should be noted that the LAN9116 can generate a host interrupt regardless of the state of the PME\_EN bit, or the external PME signal.

# LAN9116

The external PME signal can be setup for pulsed, or static operation. When the PME\_IND bit in the PMT\_CTRL register is set to a '1', the external PME signal will be driven active for 50ms upon detection of a wake-up event. When the PME\_IND bit is cleared, the PME signal will be driven continuously upon detection of a wake-up event. The PME signal is deactivated by clearing the WUPS bits, or by clearing the corresponding WOL\_EN or ED\_EN bit. The PME signal can also be deactivated by clearing the PME\_EN bit.

**FIGURE 3-11: PME AND PME\_INT SIGNAL GENERATION**



## 3.10.3 INTERNAL PHY POWER-DOWN MODES

There are 2 power-down modes for the internal Phy:

### 3.10.3.1 General Power-Down

This power-down is controlled by register 0, bit 11. In this mode the internal PHY, except the management interface, is powered-down and stays in that condition as long as Phy register bit 0.11 is HIGH. When bit 0.11 is cleared, the PHY powers up and is automatically reset. Please refer to [Section 5.5.1, "Basic Control Register," on page 83](#) for additional information on this register.

### 3.10.3.2 Energy Detect Power-Down

This power-down mode is activated by setting the Phy register bit 17.13 to 1. Please refer to [Section 5.5.8, "Mode Control/Status," on page 87](#) for additional information on this register. In this mode when no energy is present on the line, the PHY is powered down, with the exception of the management interface, the SQUELCH circuit and the ENERGYON logic. The ENERGYON logic is used to detect the presence of valid energy from 100Base-TX, 10Base-T, or Auto-negotiation signals

In this mode, when the ENERGYON signal is low, the PHY is powered-down, and nothing is transmitted. When energy is received - link pulses or packets - the ENERGYON signal goes high, and the PHY powers-up. It automatically resets itself into the state it had prior to power-down, and asserts the INT7.1 bit of the register defined in [Section 5.5.11, "Interrupt Source Flag," on page 88](#). If the ENERGYON interrupt is enabled, this event will cause an interrupt to the host. The first and possibly the second packet to activate ENERGYON may be lost.

When 17.13 is low, energy detect power-down is disabled.

## 3.11 Detailed Reset Description

The LAN9116 has five reset sources:

- Power-On Reset (POR)
- Hardware Reset Input Pin (nRESET)
- Soft Reset (SRST)
- PHY Soft Reset via PMT\_CTRL bit 10 (PHY\_RST)
- PHY Soft Reset via PHY Basic Control Register (PHY REG 0.15)

Table 3-10 shows the effect of the various reset sources on the LAN9116's circuitry.

**TABLE 3-10: RESET SOURCES AND AFFECTED CIRCUITRY**

Reset Source	PLL	HBI Note 3-13	NASR Registers Note 3-13	MIL	MAC	PHY Note 3-11	EEPROM MAC ADDR. Reload Note 3-12	Config. Straps Latched
POR	X	X	X	X	X	X	X	X
nRESET	X	X	X	X	X	X	X	X
SRST		X		X	X		X	
PHY_RST						X		
PHY REG 0.15						X		

**Note 3-11** After any PHY reset, the application must wait until the "Link Status" bit in the PHY's "Basic Status Register" (PHY Reg. 1.2) is set before attempting to transmit or receive data.

**Note 3-12** After a POR, nRESET or SRST, the LAN9116 will automatically check for the presence of an external EEPROM. After any of these resets the application must verify that the EPC Busy Bit (E2P\_CMD, bit 31) is cleared before attempting to access the EEPROM, or change the function of the GPO/GPIO signals, or before modifying the ADDRH or ADDR\_L registers in the MAC.

**Note 3-13** HBI - "Host Bus Interface", NASR - Not affected by software reset.

### 3.11.1 POWER-ON RESET (POR)

A Power-On reset occurs whenever power is initially applied to the LAN9116, or if power is removed and reapplied to the LAN9116. A timer within the LAN9116 will assert the internal reset for approximately 22ms. The READY bit in the PMT\_CTRL register can be read from the host interface and will read back a '0' until the POR is complete. Upon completion of the POR, the READY bit in PMT\_CTRL is set high, and the LAN9116 can be configured via its control registers.

**APPLICATION NOTE:** Under normal conditions, the READY bit in PMT\_CTRL will be set (high -"1") after an internal reset (22ms). If the software driver polls this bit and it is not set within 100ms, then an error condition occurred.

### 3.11.2 HARDWARE RESET INPUT (NRESET)

A hardware reset will occur when the nRESET input signal is driven low. The READY bit in the PMT\_CTRL register can be read from the host interface, and will read back a '0' until the hardware reset is complete. Upon completion of the hardware reset, the READY bit in PMT\_CTRL is set high.

After the "READY" bit is set, the LAN9116 can be configured via its control registers. The nRESET signal is pulled-high internally by the LAN9116 and can be left unconnected if unused. If used, nRESET must be driven low for a minimum period as defined in Section 6.8, "Reset Timing," on page 98.

**APPLICATION NOTE:** Under normal conditions, the READY bit in PMT\_CTRL will be set (high -"1") immediately. If the software driver polls this bit and it is not set within 100ms, then an error condition occurred.

### 3.11.3 RESUME RESET TIMING

After issuing a write to the BYTE\_TEST register to wake the LAN9116 from a power-down state, the READY bit in PMT\_CTRL will assert (set High) within 2ms.

# LAN9116

---

**APPLICATION NOTE:** Under normal conditions, the READY bit in PMT\_CTRL will be set (high "1") within 2 ms. If the software driver polls this bit and it is not set within 100ms, then an error condition occurred.

## 3.11.4 SOFT RESET (SRST)

Soft reset is initiated by writing a '1' to bit 0 of the HW\_CFG register (SRST). This self-clearing bit will return to '0' after approximately 2  $\mu$ s, at which time the Soft Reset is complete. Soft reset does not clear control register bits marked as NASR.

**APPLICATION NOTE:** Under normal conditions, the READY bit in PMT\_CTRL will be set (high "1") immediately, (within 2 $\mu$ s). If the software driver polls this bit and it is not set within 100ms, then an error condition occurred.

## 3.11.5 PHY RESET TIMING

The following sections and tables specify the operation and time required for the internal PHY to become operational after various resets or when returning from the reduced power state.

### 3.11.5.1 PHY Soft Reset via PMT\_CTRL bit 10 (PHY\_RST)

The PHY soft reset is initiated by writing a '1' to bit 10 of the PMT\_CTRL register (PHY\_RST). This self-clearing bit will return to '0' after approximately 100  $\mu$ s, at which time the PHY reset is complete.

### 3.11.5.2 PHY Soft Reset via PHY Basic Control Register (PHY Reg. 0.15)

The PHY Reg. 0.15 Soft Reset is initiated by writing a '1' to bit 15 of the PHY's Basic Control Register. This self-clearing bit will return to '0' at which time the PHY reset is complete.

## 3.12 TX Data Path Operation

Data is queued for transmission by writing it into the TX data FIFO. Each packet to be transmitted may be divided among multiple buffers. Each buffer starts with a two DWORD TX command (TX command 'A' and TX command 'B'). The TX command instructs the LAN9116 on the handling of the associated buffer. Packet boundaries are delineated using control bits within the TX command.

The host provides a 16-bit Packet Tag field in the TX command. The Packet Tag value is appended to the corresponding TX status DWORD. All Packet Tag fields must have the same value for all buffers in a given packet. If tags differ between buffers in the same packet the TXE error will be asserted. Any value may be chosen for a Packet Tag as long as all tags in the same Packet are identical. Packet Tags also provide a method of synchronization between transmitted packets and their associated status. Software can use unique Packet Tags to assist with validating matching status completions.

**Note 3-14** The use of packet tags is not required by the hardware. This is a software LAN driver only application example for use of this field.

A Packet Length field in the TX command specifies the number of bytes in the associated packet. All Packet Length fields must have the same value for all buffers in a given packet. Hardware compares the Packet Length field and the actual amount of data received by the Ethernet controller. If the actual packet length count does not match the Packet Length field as defined in the TX command, the Transmitter Error (TXE) flag is asserted.

The LAN9116 can be programmed to start payload transmission of a buffer on a byte boundary by setting the "Data Start Offset" field in the TX command. The "Data Start Offset" field points to the actual start of the payload data within the first 8 DWORDs of the buffer. Data before the "Data Start Offset" pointer will be ignored. When a packet is split into multiple buffers, each successive buffer may begin on any arbitrary byte.

The LAN9116 can be programmed to strip padding from the end of a transmit packet in the event that the end of the packet does not align with the host burst boundary. This feature is necessary when the LAN9116 is operating in a system that always performs multi-word bursts. In such cases the LAN9116 must ensure that it can accept data in multiples of the Burst length regardless of the actual packet length. When configured to do so, the LAN9116 will accept extra data at the end of the packet and will remove the extra padding before transmitting the packet. The LAN9116 automatically removes data up to the boundary specified in the Buffer End Alignment field specified in each TX command.

The host can instruct the LAN9116 to issue an interrupt when the buffer has been fully loaded into the TX FIFO contained in the LAN9116 and transmitted. This feature is enabled through the TX command 'Interrupt on Completion' field.

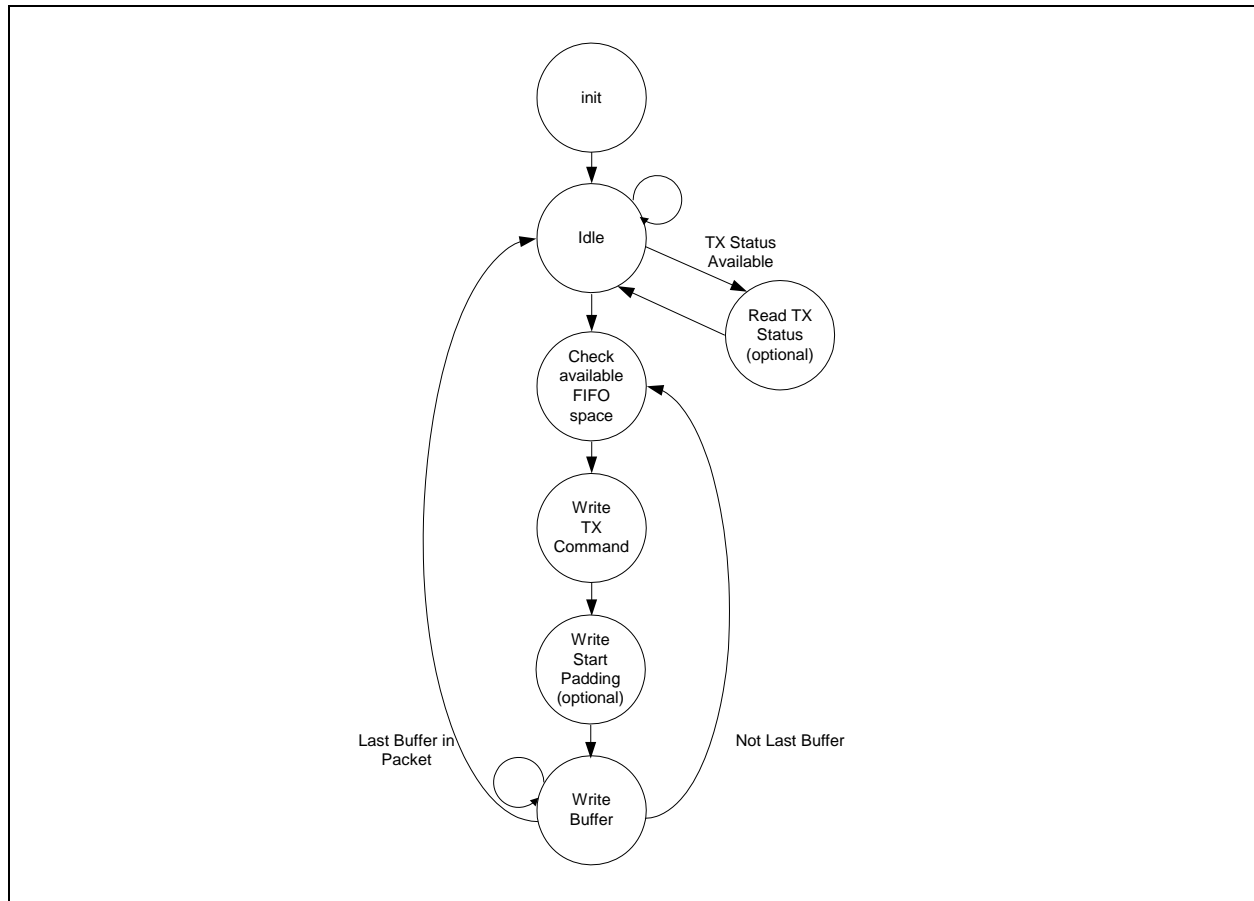


Upon completion of transmission, irrespective of success or failure, the status of the transmission is written to the TX status FIFO. TX status is available to the host and may be read using PIO operations. An interrupt can be optionally enabled by the host to indicate the availability of a programmable number TX status DWORDS.

Before writing the TX command and payload data to the TX FIFO, the host must check the available TX FIFO space by performing a PIO read of the TX\_FIFO\_INF register. The host must ensure that it does not overflow the TX FIFO or the TX Error (TXE) flag will be asserted.

The host proceeds to write the TX command by first writing TX command 'A', then TX command 'B'. After writing the command, the host can then move the payload data into the TX FIFO. TX status DWORD's are stored in the TX status FIFO to be read by the host at a later time upon completion of the data transmission onto the wire.

**FIGURE 3-12: SIMPLIFIED HOST TX FLOW DIAGRAM**



### 3.12.1 TX BUFFER FORMAT

TX buffers exist in the host's memory in a given format. The host writes a TX command word into the TX data buffer before moving the Ethernet packet data. The TX command A and command B are 32-bit values that are used by the LAN9116 in the handling and processing of the associated Ethernet packet data buffer. Buffer alignment, segmentation and other packet processing parameters are included in the command structure. The following diagram illustrates the buffer format.

**FIGURE 3-13: TX BUFFER FORMAT**

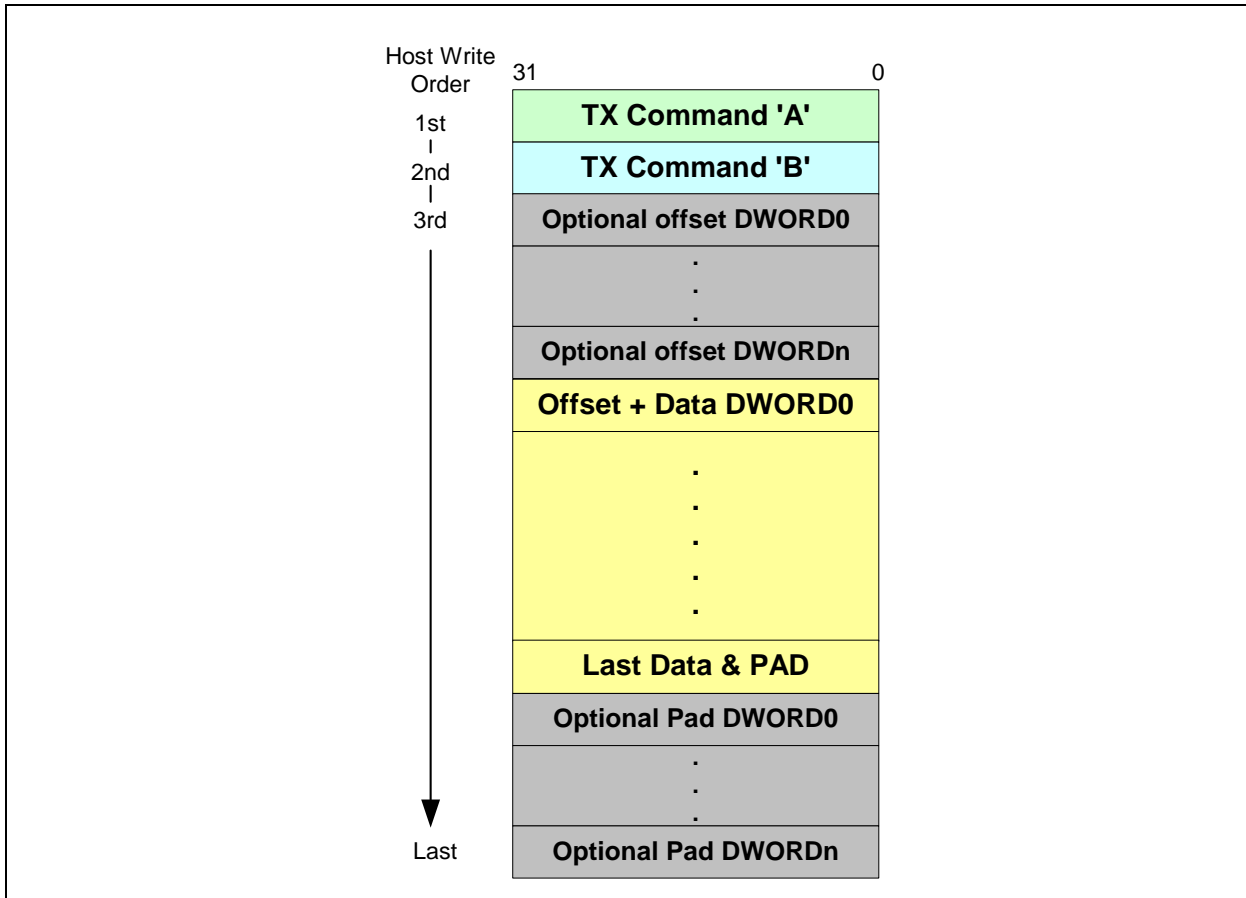


Figure 3-13, "TX Buffer Format", shows the TX Buffer as it is written into the LAN9116. It should be noted that not all of the data shown in this diagram is actually stored in the TX data FIFO. This must be taken into account when calculating the actual TX data FIFO usage. Please refer to [Section 3.12.5, "Calculating Actual TX Data FIFO Usage," on page 37](#) for a detailed explanation on calculating the actual TX data FIFO usage.

### 3.12.2 TX COMMAND FORMAT

The TX command instructs the TX FIFO controller on handling the subsequent buffer. The command precedes the data to be transmitted. The TX command is divided into two, 32-bit words; TX command 'A' and TX command 'B'.

There is a 16-bit packet tag in the TX command 'B' command word. Packet tags may, if host software desires, be unique for each packet (i.e., an incrementing count). The value of the tag will be returned in the RX status word for the associated packet. The Packet tag can be used by host software to uniquely identify each status word as it is returned to the host.

Both TX command 'A' and TX command 'B' are required for each buffer in a given packet. TX command 'B' must be identical for every buffer in a given packet. If the TX command 'B' words do not match, the Ethernet controller will assert the Transmitter Error (TXE) flag.

## 3.12.2.1 TX Command 'A'

**TABLE 3-11: TX COMMAND 'A' FORMAT**

Bits	Description															
31	<b>Interrupt on Completion.</b> When set, the TXDONE flag will be asserted when the current buffer has been fully loaded into the TX FIFO. This flag may be optionally mapped to a host interrupt.															
30:26	<b>Reserved.</b> These bits are reserved. Always write zeros to this field to provide future compatibility.															
25:24	<p><b>Buffer End Alignment.</b> This field specifies the alignment that must be maintained on the last data transfer of a buffer. The host will add extra DWORDs of data up to the alignment specified in the table below. The LAN9116 will remove the extra DWORDs. This mechanism can be used to maintain cache line alignment on host processors.</p> <table border="1" style="margin-left: auto; margin-right: auto;"> <thead> <tr> <th>[25]</th> <th>[24]</th> <th>End Alignment</th> </tr> </thead> <tbody> <tr> <td>0</td> <td>0</td> <td>4-byte alignment</td> </tr> <tr> <td>0</td> <td>1</td> <td>16-byte alignment</td> </tr> <tr> <td>1</td> <td>0</td> <td>32-byte alignment</td> </tr> <tr> <td>1</td> <td>1</td> <td>Reserved</td> </tr> </tbody> </table>	[25]	[24]	End Alignment	0	0	4-byte alignment	0	1	16-byte alignment	1	0	32-byte alignment	1	1	Reserved
[25]	[24]	End Alignment														
0	0	4-byte alignment														
0	1	16-byte alignment														
1	0	32-byte alignment														
1	1	Reserved														
23:21	<b>Reserved.</b> These bits are reserved. Always write zeros to this field to provide future compatibility															
20:16	<b>Data Start Offset (bytes).</b> This field specifies the offset of the first byte of TX data. The offset value can be anywhere from 0 bytes to 31 a Byte offset.															
15:14	<b>Reserved.</b> These bits are reserved. Always write zeros to this field to provide future compatibility															
13	<b>First Segment.</b> When set, this bit indicates that the associated buffer is the first segment of the packet.															
12	<b>Last Segment.</b> When set, this bit indicates that the associated buffer is the last segment of the packet															
11	<b>Reserved.</b> These bits are reserved. Always write zeros to this field to provide future compatibility.															
10:0	<p><b>Buffer Size (bytes).</b> This field indicates the number of bytes contained in the buffer following this command. This value, along with the Buffer End Alignment field, is read and checked by the LAN9116 and used to determine how many extra DWORD's were added to the end of the Buffer. A running count is also maintained in the LAN9116 of the cumulative buffer sizes for a given packet. This cumulative value is compared against the Packet Length field in the TX command 'B' word and if they do not correlate, the TXE flag is set.</p> <p><b>Note:</b> The buffer size specified does not include the buffer end alignment padding or data start offset added to a buffer.</p>															

## 3.12.2.2 TX Command 'B'

**TABLE 3-12: TX COMMAND 'B' FORMAT**

Bits	Description
31:16	<p><b>Packet Tag.</b> The host should write a unique packet identifier to this field. This identifier is added to the corresponding TX status word and can be used by the host to correlate TX status words with their corresponding packets.</p> <p><b>Note:</b> The use of packet tags is not required by the hardware. This field can be used by the LAN software driver for any application. Packet Tags is one application example.</p>
15:14	<b>Reserved.</b> These bits are reserved. Always write zeros to this field to provide future compatibility.
13	<b>Add CRC Disable.</b> When set, the automatic addition of the CRC is disabled.

**TABLE 3-12: TX COMMAND 'B' FORMAT (CONTINUED)**

Bits	Description
12	<b>Disable Ethernet Frame Padding.</b> When set, this bit prevents the automatic addition of padding to an Ethernet frame of less than 64 bytes. The CRC field is also added despite the state of the Add CRC Disable field.
11	<b>Reserved.</b> These bits are reserved. Always write zeros to this field to provide future compatibility.
10:0	<b>Packet Length (bytes).</b> This field indicates the total number of bytes in the current packet. This length does not include the offset or padding. If the Packet Length field does not match the actual number of bytes in the packet the Transmitter Error (TXE) flag will be set.

### 3.12.3 TX DATA FORMAT

The TX data section begins at the third DWORD in the TX buffer (after TX command 'A' and TX command 'B'). The location of the first byte of valid buffer data to be transmitted is specified in the "Data Start Offset" field of the TX command 'A' word. [Table 3-13, "TX DATA Start Offset"](#), shows the correlation between the setting of the LSB's in the "Data Start Offset" field and the byte location of the first valid data byte. Additionally, transmit buffer data can be offset by up to 7 additional DWORDS as indicated by the upper three MSB's (5:2) in the "Data Start Offset" field.

**TABLE 3-13: TX DATA START OFFSET**

Data Start Offset [1:0]:	11	10	01	00
First TX Data Byte:	D[31:24]	D[23:16]	D[15:8]	D[7:0]

TX data is contiguous until the end of the buffer. The buffer may end on a byte boundary. Unused bytes at the end of the packet will not be sent to the MIL for transmission.

The Buffer End Alignment field in TX command 'A' specifies the alignment that must be maintained for the associated buffer. End alignment may be specified as 4-, 16-, or 32-byte. The host processor is responsible for adding the additional data to the end of the buffer. The hardware will automatically remove this extra data.

#### 3.12.3.1 TX Buffer Fragmentation Rules

Transmit buffers must adhere to the following rules:

- Each buffer can start and end on any arbitrary byte alignment
- The first buffer of any transmit packet can be any length
- Middle buffers (i.e., those with First Segment = Last Segment = 0) must be greater than, or equal to 4 bytes in length
- The final buffer of any transmit packet can be any length

The MIL operates in store-and-forward mode and has specific rules with respect to fragmented packets. The total space consumed in the TX FIFO (MIL) must be limited to no more than 2KB - 3 DWORDs (2,036 bytes total). Any transmit packet that is so highly fragmented that it takes more space than this must be un-fragmented (by copying to a Driver-supplied buffer) before the transmit packet can be sent to the LAN9116.

One approach to determine whether a packet is too fragmented is to calculate the actual amount of space that it will consume, and check it against 2,036 bytes. Another approach is to check the number of buffers against a worst-case limit of 86 (see explanation below).

#### 3.12.3.2 Calculating Worst-Case TX FIFO (MIL) Usage

The actual space consumed by a buffer consists only of any partial DWORD offsets in the first/last DWORD of the buffer, plus all of the whole DWORDs in between. Any whole DWORD offsets and/or alignments are stripped off before the buffer even gets into the TX data FIFO, and TX command words are stripped off before the buffer is written to the TX FIFO, so none of those DWORDs count as space consumed. The worst-case overhead for a TX buffer is 6 bytes, which assumes that it started on the high byte of a DWORD and ended on the low byte of a DWORD. A TX packet consisting of 86 such fragments would have an overhead of 516 bytes (6 \* 86) which, when added to a 1514-byte max-size transmit packet (1516 bytes, rounded up to the next whole DWORD), would give a total space consumption of 2,032 bytes, leaving 4 bytes to spare; this is the basis for the "86 fragment" rule mentioned above.

## 3.12.4 TX STATUS FORMAT

TX status is passed to the host CPU through a separate FIFO mechanism. A status word is returned for each packet transmitted. Data transmission is suspended if the TX status FIFO becomes full. Data transmission will resume when the host reads the TX status and there is room in the FIFO for more “TX Status” data.

The host can optionally choose to not read the TX status. The host can optionally ignore the TX status by setting the “TX Status Discard Allow Overrun Enable” (TXSAO) bit in the TX Configuration Register (TX\_CFG). If this option is chosen TX status will not be written to the FIFO. Setting this bit high allows the transmitter to continue operation with a full TX status FIFO. In this mode the status information is still available in the TX status FIFO, and TX status interrupts still function. In the case of an overrun, the TXSUSED counter will stay at zero and no further TX status will be written to the TX status FIFO until the host frees space by reading TX status. If TXSAO is enabled, a TXE error will not be generated if the TX status FIFO overruns. In this mode the host is responsible for re-synchronizing TX status in the case of an overrun.

Bits	Description
31:16	<b>Packet TAG.</b> Unique identifier written by the host into the Packet Tag field of the TX command 'B' word. This field can be used by the host to correlate TX status words with the associated TX packets.
15	<b>Error Status (ES).</b> When set, this bit indicates that the Ethernet controller has reported an error. This bit is the logical OR of bits 11, 10, 9, 8, 2, 1 in this status word.
14:12	<b>Reserved.</b> These bits are reserved. Always write zeros to this field to provide future compatibility.
11	<b>Loss of Carrier.</b> When set, this bit indicates the loss of carrier during transmission.
10	<b>No Carrier.</b> When set, this bit indicates that the carrier signal from the transceiver was not present during transmission.
9	<b>Late Collision.</b> When set, indicates that the packet transmission was aborted after the collision window of 64 bytes.
8	<b>Excessive Collisions.</b> When set, this bit indicates that the transmission was aborted after 16 collisions while attempting to transmit the current packet.
7	<b>Reserved.</b> This bit is reserved. Always write zeros to this field to provide future compatibility.
6:3	<b>Collision Count.</b> This counter indicates the number of collisions that occurred before the packet was transmitted. It is not valid when excessive collisions (bit 8) is also set.
2	<b>Excessive Deferral.</b> If the deferred bit is set in the control register, the setting of the excessive deferral bit indicates that the transmission has ended because of a deferral of over 24288 bit times during transmission.
1	<b>Reserved.</b> This bit is reserved. Always write zero to this bit to provide future compatibility.
0	<b>Deferred.</b> When set, this bit indicates that the current packet transmission was deferred.

## 3.12.5 CALCULATING ACTUAL TX DATA FIFO USAGE

The following rules are used to calculate the actual TX data FIFO space consumed by a TX Packet:

- TX command 'A' is stored in the TX data FIFO for every TX buffer
- TX command 'B' is written into the TX data FIFO when the First Segment (FS) bit is set in TX command 'A'
- Any DWORD-long data added as part of the “Data Start Offset” is removed from each buffer before the data is written to the TX data FIFO. Any data that is less than 1 DWORD is passed to the TX data FIFO.
- Payload from each buffer within a Packet is written into the TX data FIFO.
- Any DWORD-long data added as part of the End Padding is removed from each buffer before the data is written to the TX data FIFO. Any end padding that is less than 1 DWORD is passed to the TX data FIFO.

## 3.12.6 TRANSMIT EXAMPLES

### 3.12.6.1 TX Example 1

In this example a single, 111-Byte Ethernet packet will be transmitted. This packet is divided into three buffers. The three buffers are as follows:

Buffer 0:

- 7-Byte "Data Start Offset"
- 79-Bytes of payload data
- 16-Byte "Buffer End Alignment"

Buffer 1:

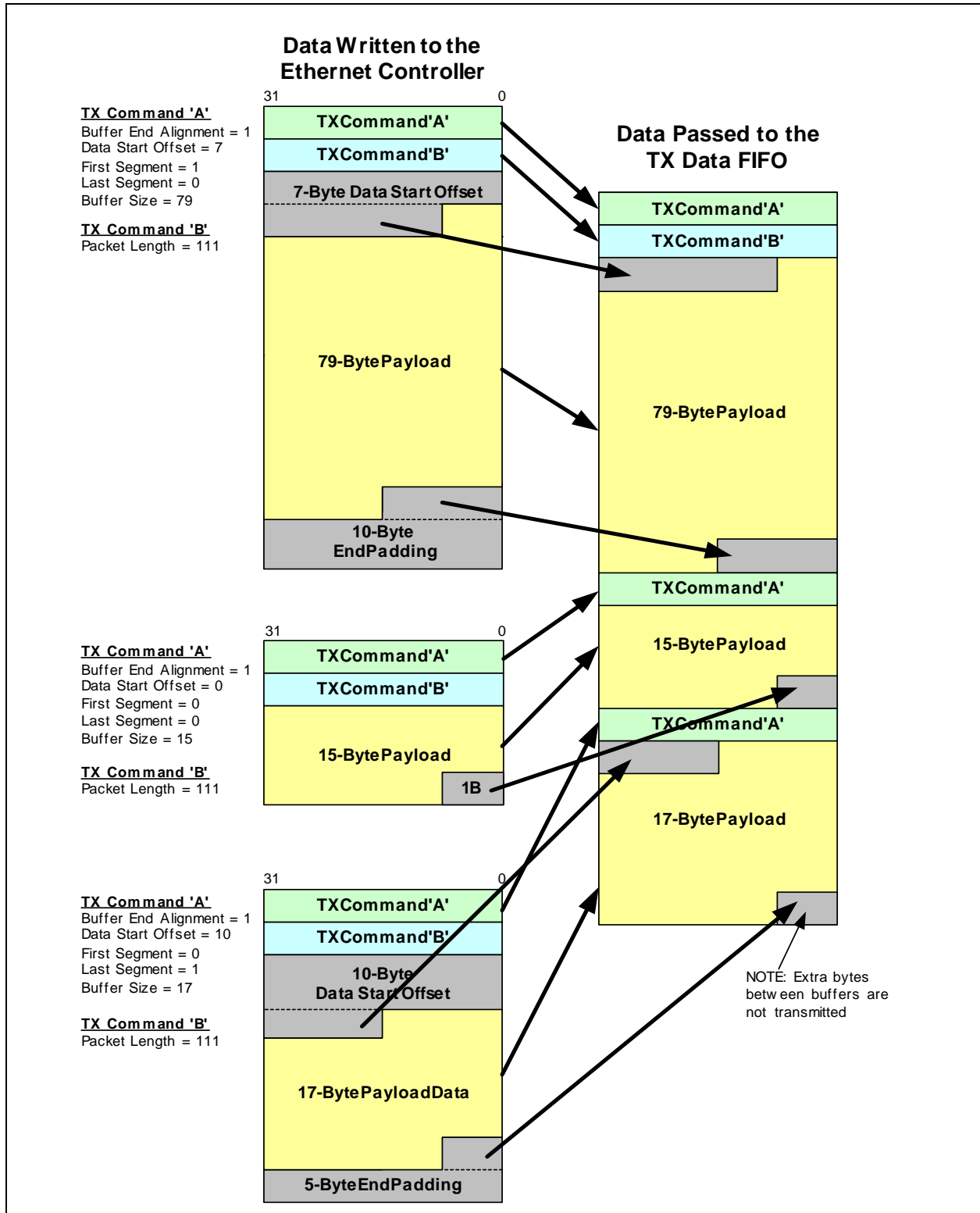
- 0-Byte "Data Start Offset"
- 15-Bytes of payload data
- 16-Byte "Buffer End Alignment"

Buffer 2:

- 10-Byte "Data Start Offset"
- 17-Bytes of payload data
- 16-Byte "Buffer End Alignment"

Figure 3-14, "TX Example 1" illustrates the TX command structure for this example, and also shows how data is passed to the TX data FIFO.

FIGURE 3-14: TX EXAMPLE 1



# LAN9116

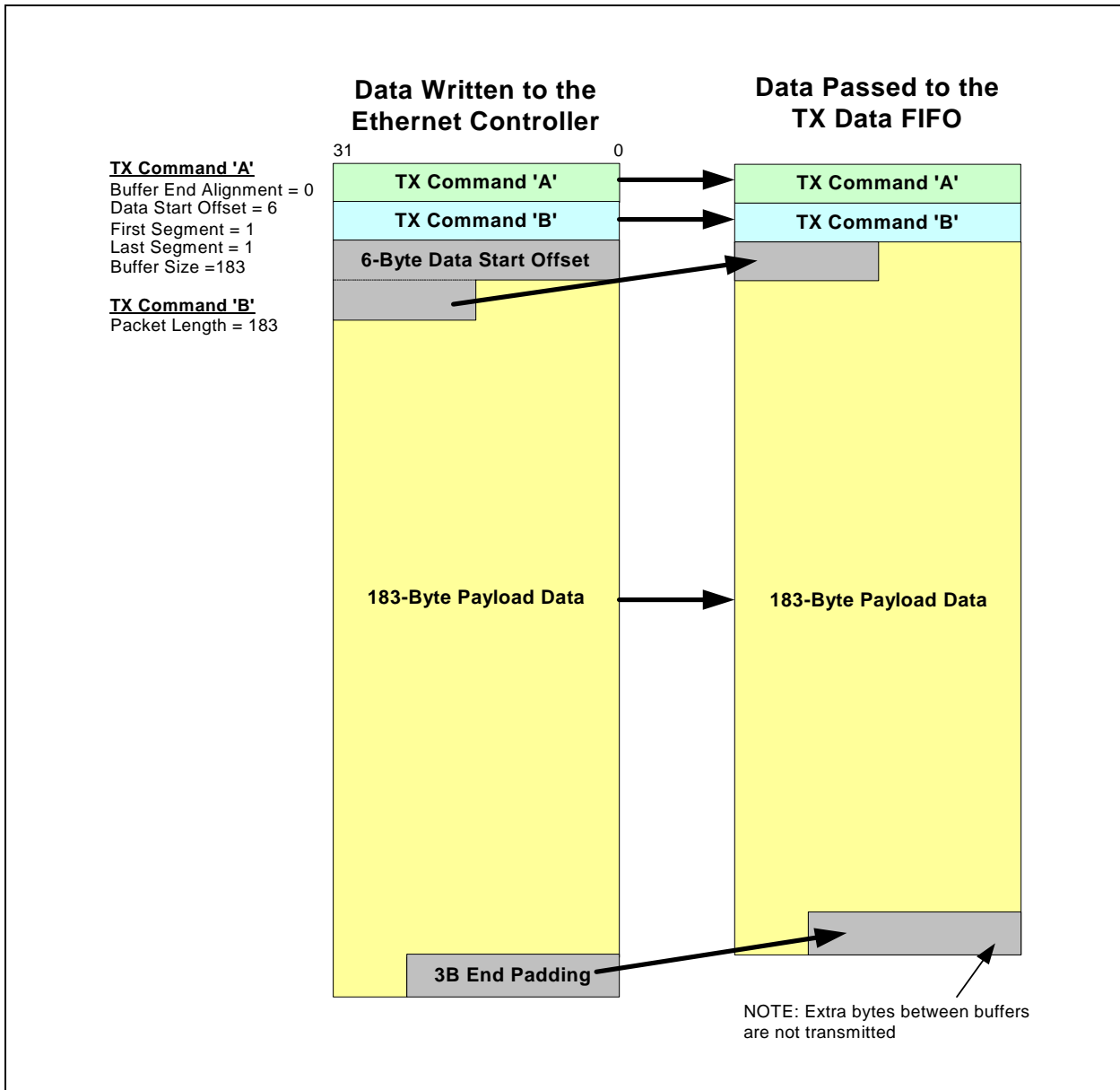
## 3.12.6.2 TX Example 2

In this example, a single 183-Byte Ethernet packet will be transmitted. This packet is in a single buffer as follows:

- 2-Byte "Data Start Offset"
- 183-Bytes of payload data
- 4-Byte "Buffer End Alignment"

Figure 3-15, "TX Example 2" illustrates the TX command structure for this example, and also shows how data is passed to the TX data FIFO. Note that the packet resides in a single TX Buffer, therefore both the FS and LS bits are set in TX command 'A'.

**FIGURE 3-15: TX EXAMPLE 2**





## 3.12.7 TRANSMITTER ERRORS

If the Transmitter Error (TXE) flag is asserted for any reason, the transmitter will continue operation. TX Error (TXE) will be asserted under the following conditions:

- If the actual packet length count does not match the Packet Length field as defined in the TX command.
- Both TX command 'A' and TX command 'B' are required for each buffer in a given packet. TX command 'B' must be identical for every buffer in a given packet. If the TX command 'B' words do not match, the Ethernet controller will assert the Transmitter Error (TXE) flag.
- Host overrun of the TX data FIFO.
- Overrun of the TX status FIFO (unless TXSAO is enabled)

## 3.12.8 STOPPING AND STARTING THE TRANSMITTER

To halt the transmitter, the host must set the TX\_STOP bit in the TX\_CFG register. The transmitter will finish sending the current frame (if there is a frame transmission in progress). When the transmitter has received the TX status for this frame, it will clear the TX\_STOP and TX\_ON bits, and will pulse the TXSTOP\_INT.

Once stopped, the host can optionally clear the TX status and TX data FIFOs. The host must re-enable the transmitter by setting the TX\_ON bit. If there are frames pending in the TX data FIFO (i.e., TX data FIFO was not purged), the transmission will resume with this data.

## 3.13 RX Data Path Operation

When an Ethernet Packet is received, the MIL first begins to transfer the RX data. This data is loaded into the RX data FIFO. The RX data FIFO pointers are updated as data is written into the FIFO.

The last transfer from the MIL is the RX status word. The LAN9116 implements a separate FIFO for the RX status words. The total available RX data and status queued in the RX FIFO can be read from the RX\_FIFO\_INF register. The host may read any number of available RX status words before reading the RX data FIFO.

The host must use caution when reading the RX data and status. The host must never read more data than what is available in the FIFOs. If this is attempted an underrun condition will occur. If this error occurs, the Ethernet controller will assert the Receiver Error (RXE) interrupt. If an underrun condition occurs, a soft reset is required to regain host synchronization.

A configurable beginning offset is supported in the LAN9116. The RX data Offset field in the RX\_CFG register controls the number of bytes that the beginning of the RX data buffer is shifted. The host can set an offset from 0-31 bytes. The offset may be changed in between RX packets, but it must not be changed during an RX packet read.

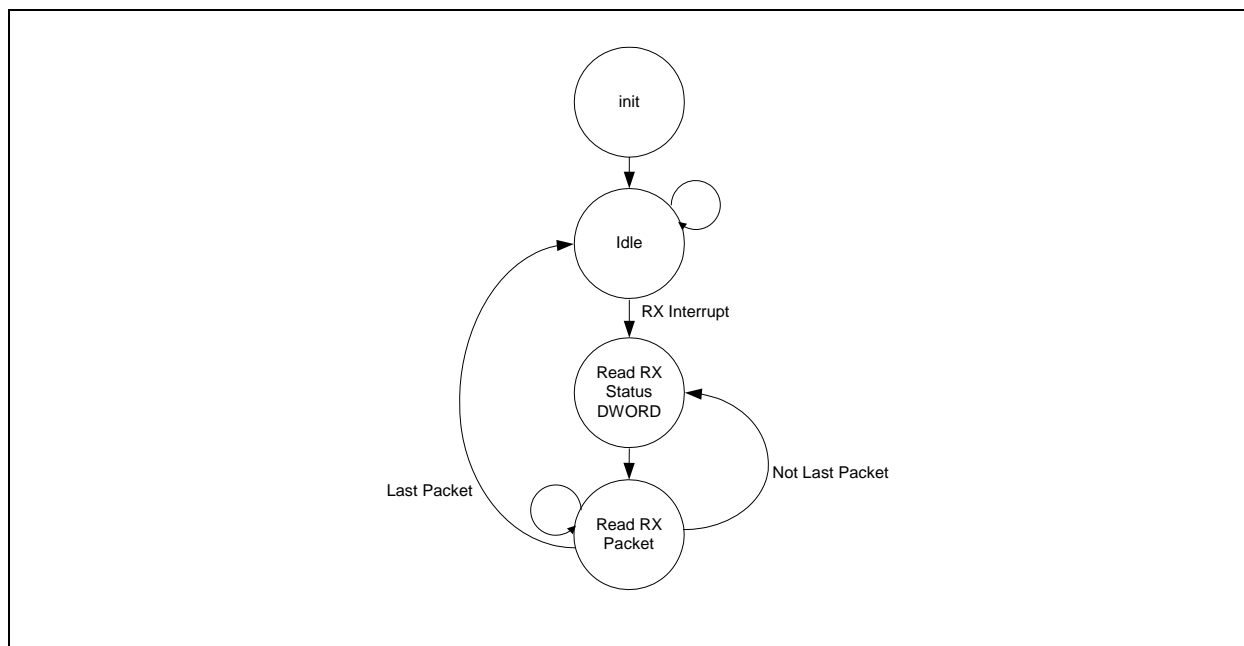
The LAN9116 can be programmed to add padding at the end of a receive packet in the event that the end of the packet does not align with the host burst boundary. This feature is necessary when the LAN9116 is operating in a system that always performs multi-DWORD bursts. In such cases the LAN9116 must ensure that it can transfer data in multiples of the Burst length regardless of the actual packet length. When configured to do so, the LAN9116 will add extra data at the end of the packet to allow the host to perform the necessary number of reads so that the Burst length is not cut short. Once a packet has been padded by the H/W, it is the responsibility of the host to interrogate the Packet length field in the RX status and determine how much padding to discard at the end of the Packet.

It is possible to read multiple packets out of the RX data FIFO in one continuous stream. It should be noted that the programmed Offset and Padding will be added to each individual packet in the stream, since packet boundaries are maintained.

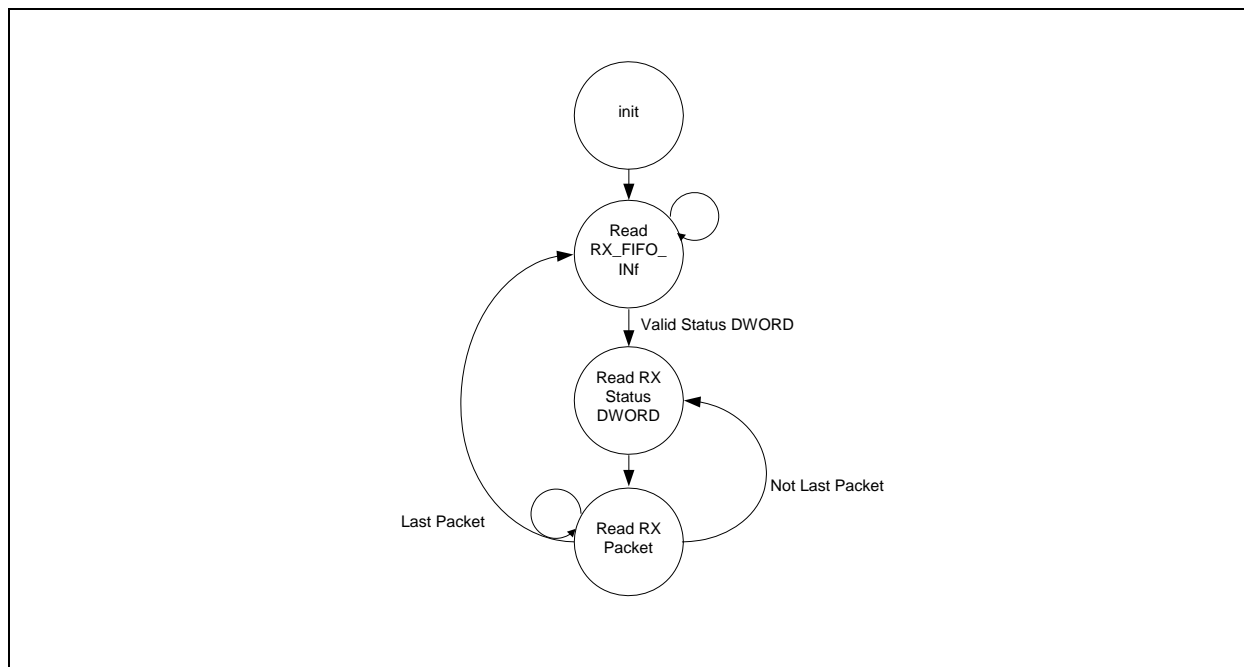
### 3.13.1 RX SLAVE PIO OPERATION

Using PIO mode, the host can either implement a polling or interrupt scheme to empty the received packet out of the RX data FIFO. The host will remain in the idle state until it receives an indication (interrupt or polling) that data is available in the RX data FIFO. The host will then read the RX status FIFO to get the packet status, which will contain the packet length and any other status information. The host should perform the proper number of reads, as indicated by the packet length *plus* the start offset *and* the amount of optional padding added to the end of the frame, from the RX data FIFO.

**FIGURE 3-16: HOST RECEIVE ROUTINE USING INTERRUPTS**



**FIGURE 3-17: Host Receive Routine with Polling**



## 3.13.1.1 Receive Data FIFO Fast Forward

The RX data path implements an automatic data discard function. Using the RX data FIFO Fast Forward bit (RX\_FFWD) in the RX\_DP\_CTRL register, the host can instruct the LAN9116 to skip the packet at the head of the RX data FIFO. The RX data FIFO pointers are automatically incremented to the beginning of the next RX packet.

When performing a fast-forward, there must be at least 4 DWORDs of data in the RX data FIFO for the packet being discarded. For less than 4 DWORDs do not use RX\_FFWD. In this case data must be read from the RX data FIFO and discarded using standard PIO read operations.

After initiating a fast-forward operation, do not perform any reads of the RX data FIFO, RX status FIFO, or the TX status FIFO until the RX\_FFWD bit is cleared. Other resources can be accessed during this time (i.e., any registers and/or the TX data FIFO). After the fast-forward operation has completed and the RX\_FFWD bit has been cleared, a wait time restriction must be observed before reading the TX or RX status FIFO's, as specified in [Section 6.1.2, "Special Restrictions on Back-to-Back Read Cycles," on page 91](#). Also note that the RX\_FFWD will only fast-forward the RX data FIFO, not the RX status FIFO.

The receiver does not have to be stopped to perform a fast-forward operation.

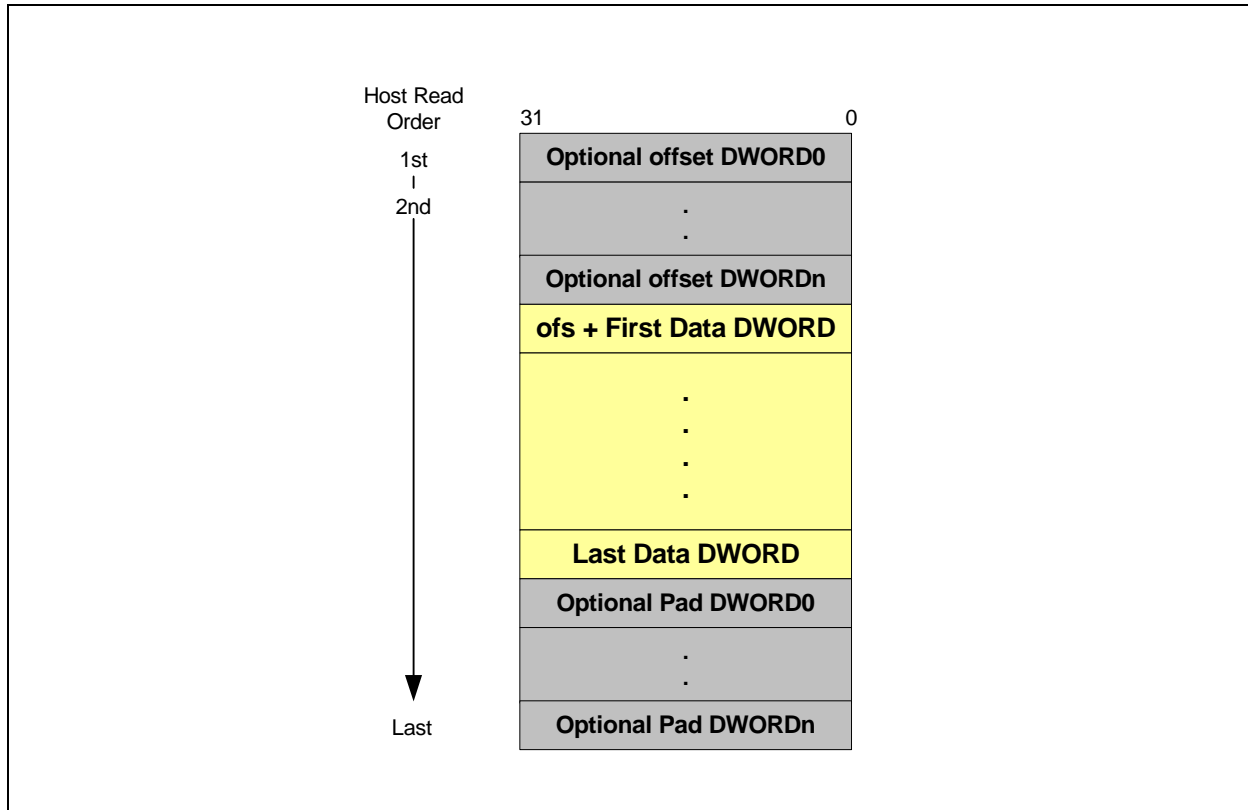
## 3.13.1.2 Force Receiver Discard (Receiver Dump)

In addition to the Receive data Fast Forward feature, LAN9116 also implements a receiver "dump" feature. This feature allows the host processor to flush the entire contents of the RX data and RX status FIFOs. When activated, the read and write pointers for the RX data and status FIFOs will be returned to their reset state. To perform a receiver dump, the LAN9116 receiver must be halted. Once the receiver stop completion is confirmed, the RX\_DUMP bit can be set in the RX\_CFG register. The RX\_DUMP bit is cleared when the dump is complete. For more information on stopping the receiver, please refer to [Section 3.13.4, "Stopping and Starting the Receiver," on page 45](#). For more information on the RX\_DUMP bit, please refer to [Section 5.3.7, "RX\\_CFG—Receive Configuration Register," on page 60](#).

## 3.13.2 RX PACKET FORMAT

The RX status words can be read from the RX status FIFO port, while the RX data packets can be read from the RX data FIFO. RX data packets are formatted in a specific manner before the host can read them. It is assumed that the host has previously read the associated status word from the RX status FIFO, to ascertain the data size and any error conditions.

**FIGURE 3-18: RX PACKET FORMAT**



### 3.13.3 RX STATUS FORMAT

Bits	Description
31	<b>Reserved.</b> This bit is reserved. Reads 0.
30	<b>Filtering Fail.</b> When set, this bit indicates that the associated frame failed the address recognizing filtering.
29:16	<b>Packet Length.</b> The size, in bytes, of the corresponding received frame.
15	<b>Error Status (ES).</b> When set this bit indicates that the MIL has reported an error. This bit is the Internal logical "or" of bits 11,7,6 and 1.
14	<b>Reserved.</b> These bits are reserved. Reads 0.
13	<b>Broadcast Frame.</b> When set, this bit indicates that the received frame has a Broadcast address.
12	<b>Length Error (LE).</b> When set, this bit indicates that the actual length does not match with the length/type field of the received frame.
11	<b>Runt Frame.</b> When set, this bit indicates that frame was prematurely terminated before the collision window (64 bytes). Runt frames are passed on to the host only if the Pass Bad Frames bit MAC_CR Bit [16] is set.
10	<b>Multicast Frame.</b> When set, this bit indicates that the received frame has a Multicast address.
9:8	<b>Reserved.</b> These bits are reserved. Reads 0.

Bits	Description
7	<b>Frame Too Long.</b> When set, this bit indicates that the frame length exceeds the maximum Ethernet specification of 1518 bytes. This is only a frame too long indication and will not cause the frame reception to be truncated.
6	<b>Collision Seen.</b> When set, this bit indicates that the frame has seen a collision after the collision window. This indicates that a late collision has occurred.
5	<b>Frame Type.</b> When set, this bit indicates that the frame is an Ethernet-type frame (Length/Type field in the frame is greater than 1500). When reset, it indicates the incoming frame was an 802.3 type frame. This bit is not set for Runt frames less than 14 bytes.
4	<b>Receive Watchdog time-out.</b> When set, this bit indicates that the incoming frame is greater than 2048 bytes through 2560 bytes, therefore expiring the Receive Watchdog Timer.
3	<b>MII Error.</b> When set, this bit indicates that a receive error (RX_ER asserted) was detected during frame reception.
2	<b>Dribbling Bit.</b> When set, this bit indicates that the frame contained a non-integer multiple of 8 bits. This error is reported only if the number of dribbling bits in the last byte is 4 in the MII operating mode, or at least 3 in the 10 Mbps operating mode. This bit will not be set when the collision seen bit[6] is set. If set and the CRC error bit is [1] reset, then the packet is considered to be valid.
1	<b>CRC Error.</b> When set, this bit indicates that a CRC error was detected. This bit is also set when the RX_ER pin is asserted during the reception of a frame even though the CRC may be correct. This bit is not valid if the received frame is a Runt frame, or a late collision was detected or when the Watchdog Time-out occurs.
0	<b>Reserved.</b> These bits are reserved. Reads 0

### 3.13.4 STOPPING AND STARTING THE RECEIVER

To stop the receiver, the host must clear the RXEN bit in the MAC Control Register. When the receiver is halted, the RXSTOP\_INT will be pulsed. Once stopped, the host can optionally clear the RX status and RX data FIFOs. The host must re-enable the receiver by setting the RXEN bit.

### 3.13.5 RECEIVER ERRORS

If the Receiver Error (RXE) flag is asserted for any reason, the receiver will continue operation. RX Error (RXE) will be asserted under the following conditions:

- A host underrun of RX data FIFO
- A host underrun of the RX status FIFO
- An overrun of the RX status FIFO

It is the duty of the host to identify and resolve any error conditions.

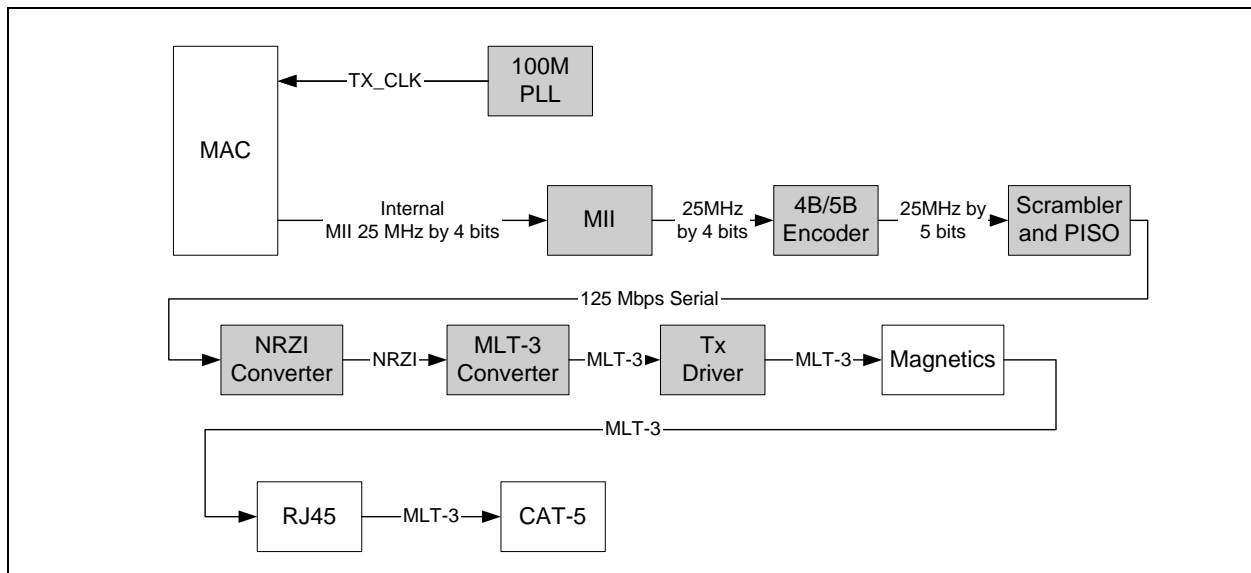
## 4.0 INTERNAL ETHERNET PHY

### 4.1 Top Level Functional Description

Functionally, the internal PHY can be divided into the following sections:

- 100Base-TX transmit and receive
- 10Base-T transmit and receive
- Internal MII interface to the Ethernet Media Access Controller
- Auto-negotiation to automatically determine the best speed and duplex possible
- Management Control to read status registers and write control registers

**FIGURE 4-1: 100BASE-TX DATA PATH**



### 4.2 100Base-TX Transmit

The data path of the 100Base-TX is shown in [Figure 4-1](#). Each major block is explained below.

#### 4.2.1 4B/5B ENCODING

The transmit data passes from the MII block to the 4B/5B encoder. This block encodes the data from 4-bit nibbles to 5-bit symbols (known as “code-groups”) according to [Table 4-1](#). Each 4-bit data-nibble is mapped to 16 of the 32 possible code-groups. The remaining 16 code-groups are either used for control information or are not valid.

The first 16 code-groups are referred to by the hexadecimal values of their corresponding data nibbles, 0 through F. The remaining code-groups are given letter designations with slashes on either side. For example, an IDLE code-group is /I/, a transmit error code-group is /H/, etc.

The encoding process may be bypassed by clearing bit 6 of register 31. When the encoding is bypassed the 5<sup>th</sup> transmit data bit is equivalent to TX\_ER.

TABLE 4-1: 4B/5B CODE TABLE

Code Group	SYM	Receiver Interpretation			Transmitter Interpretation		
11110	0	0	0000	DATA	0	0000	DATA
01001	1	1	0001		1	0001	
10100	2	2	0010		2	0010	
10101	3	3	0011		3	0011	
01010	4	4	0100		4	0100	
01011	5	5	0101		5	0101	
01110	6	6	0110		6	0110	
01111	7	7	0111		7	0111	
10010	8	8	1000		8	1000	
10011	9	9	1001		9	1001	
10110	A	A	1010		A	1010	
10111	B	B	1011		B	1011	
11010	C	C	1100		C	1100	
11011	D	D	1101		D	1101	
11100	E	E	1110		E	1110	
11101	F	F	1111		F	1111	
11111	I	IDLE			Sent after /T/R until TX_EN		
11000	J	First nibble of SSD, translated to "0101" following IDLE, else RX_ER			Sent for rising TX_EN		
10001	K	Second nibble of SSD, translated to "0101" following J, else RX_ER			Sent for rising TX_EN		
01101	T	First nibble of ESD, causes de-assertion of CRS if followed by /R/, else assertion of RX_ER			Sent for falling TX_EN		
00111	R	Second nibble of ESD, causes deassertion of CRS if following /T/, else assertion of RX_ER			Sent for falling TX_EN		
00100	H	Transmit Error Symbol			Sent for rising TX_ER		
00110	V	INVALID, RX_ER if during RX_DV			INVALID		
11001	V	INVALID, RX_ER if during RX_DV			INVALID		
00000	V	INVALID, RX_ER if during RX_DV			INVALID		
00001	V	INVALID, RX_ER if during RX_DV			INVALID		
00010	V	INVALID, RX_ER if during RX_DV			INVALID		
00011	V	INVALID, RX_ER if during RX_DV			INVALID		
00101	V	INVALID, RX_ER if during RX_DV			INVALID		
01000	V	INVALID, RX_ER if during RX_DV			INVALID		
01100	V	INVALID, RX_ER if during RX_DV			INVALID		
10000	V	INVALID, RX_ER if during RX_DV			INVALID		

#### 4.2.2 SCRAMBLING

Repeated data patterns (especially the IDLE code-group) can have power spectral densities with large narrow-band peaks. Scrambling the data helps eliminate these peaks and spread the signal power more uniformly over the entire channel bandwidth. This uniform spectral density is required by FCC regulations to prevent excessive EMI from being radiated by the physical wiring.

The scrambler also performs the Parallel In Serial Out conversion (PISO) of the data.

# LAN9116

## 4.2.3 NRZI AND MLT3 ENCODING

The scrambler block passes the 5-bit wide parallel data to the NRZI converter where it becomes a serial 125MHz NRZI data stream. The NRZI is encoded to MLT-3. MLT3 is a tri-level code where a change in the logic level represents a code bit "1" and the logic output remaining at the same level represents a code bit "0".

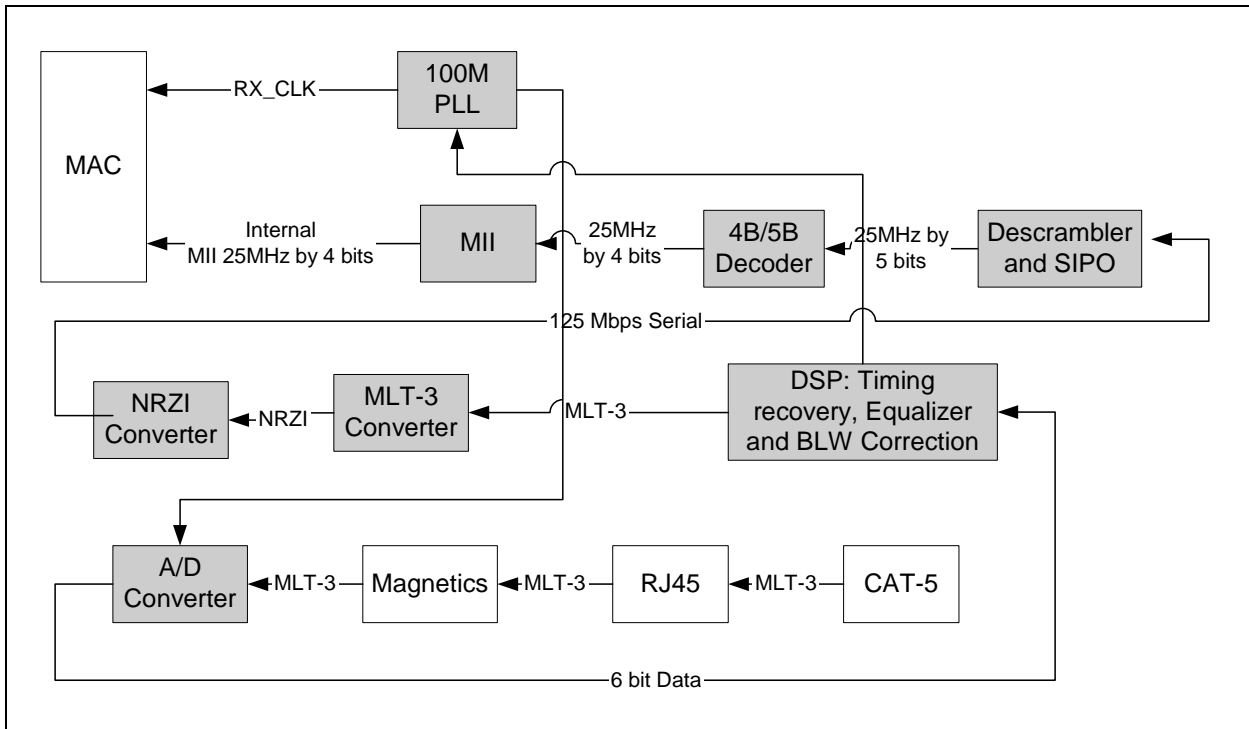
## 4.2.4 100M TRANSMIT DRIVER

The MLT3 data is then passed to the analog transmitter, which launches the differential MLT-3 signal, on outputs TXP and TXN, to the twisted pair media via a 1:1 ratio isolation transformer. The 10Base-T and 100Base-TX signals pass through the same transformer so that common "magnetics" can be used for both. The transmitter drives into the 100Ω impedance of the CAT-5 cable. Cable termination and impedance matching require external components.

## 4.2.5 100M PHASE LOCK LOOP (PLL)

The 100M PLL locks onto reference clock and generates the 125MHz clock used to drive the 125 MHz logic and the 100Base-Tx Transmitter.

**FIGURE 4-2: RECEIVE DATA PATH**



## 4.3 100Base-TX Receive

The receive data path is shown in [Figure 4-2](#). Detailed descriptions are given below.

### 4.3.1 100M RECEIVE INPUT

The MLT-3 from the cable is fed into the PHY (on inputs RXP and RXN) via a 1:1 ratio transformer. The ADC samples the incoming differential signal at a rate of 125M samples per second. Using a 64-level quantizer it generates 6 digital bits to represent each sample. The DSP adjusts the gain of the ADC according to the observed signal levels such that the full dynamic range of the ADC can be used.



## 4.3.2 EQUALIZER, BASELINE WANDER CORRECTION AND CLOCK AND DATA RECOVERY

The 6 bits from the ADC are fed into the DSP block. The equalizer in the DSP section compensates for phase and amplitude distortion caused by the physical channel consisting of magnetics, connectors, and CAT-5 cable. The equalizer can restore the signal for any good-quality CAT-5 cable between 1m and 150m.

If the DC content of the signal is such that the low-frequency components fall below the low frequency pole of the isolation transformer, then the droop characteristics of the transformer will become significant and Baseline Wander (BLW) on the received signal will result. To prevent corruption of the received data, the PHY corrects for BLW and can receive the ANSI X3.263-1995 FDDI TP-PMD defined "killer packet" with no bit errors.

The 100M PLL generates multiple phases of the 125MHz clock. A multiplexer, controlled by the timing unit of the DSP, selects the optimum phase for sampling the data. This is used as the received recovered clock. This clock is used to extract the serial data from the received signal.

## 4.3.3 NRZI AND MLT-3 DECODING

The DSP generates the MLT-3 recovered levels that are fed to the MLT-3 converter. The MLT-3 is then converted to an NRZI data stream.

## 4.3.4 DESCRAMBLING

The descrambler performs an inverse function to the scrambler in the transmitter and also performs the Serial In Parallel Out (SIPO) conversion of the data.

During reception of IDLE (/I/) symbols, the descrambler synchronizes its descrambler key to the incoming stream. Once synchronization is achieved, the descrambler locks on this key and is able to descramble incoming data.

Special logic in the descrambler ensures synchronization with the remote PHY by searching for IDLE symbols within a window of 4000 bytes (40us). This window ensures that a maximum packet size of 1514 bytes, allowed by the IEEE 802.3 standard, can be received with no interference. If no IDLE-symbols are detected within this time-period, receive operation is aborted and the descrambler re-starts the synchronization process.

The descrambler can be bypassed by setting bit 0 of register 31.

## 4.3.5 ALIGNMENT

The de-scrambled signal is then aligned into 5-bit code-groups by recognizing the /J/K/ Start-of-Stream Delimiter (SSD) pair at the start of a packet. Once the code-word alignment is determined, it is stored and utilized until the next start of frame.

## 4.3.6 5B/4B DECODING

The 5-bit code-groups are translated into 4-bit data nibbles according to the 4B/5B table. The SSD, /J/K/, is translated to "0101 0101" as the first 2 nibbles of the MAC preamble. Reception of the SSD causes the PHY to assert the internal RX\_DV signal, indicating that valid data is available on the Internal RXD bus. Successive valid code-groups are translated to data nibbles. Reception of either the End of Stream Delimiter (ESD) consisting of the /T/R/ symbols, or at least two /I/ symbols causes the PHY to de-assert the internal carrier sense and RX\_DV.

These symbols are not translated into data.

## 4.4 10Base-T Transmit

Data to be transmitted comes from the MAC layer controller. The 10Base-T transmitter receives 4-bit nibbles from the MII at a rate of 2.5MHz and converts them to a 10Mbps serial data stream. The data stream is then Manchester-encoded and sent to the analog transmitter, which drives a signal onto the twisted pair via the external magnetics.

The 10M transmitter uses the following blocks:

- MII (digital)
- TX 10M (digital)
- 10M Transmitter (analog)
- 10M PLL (analog)

## 4.4.1 10M TRANSMIT DATA ACROSS THE INTERNAL MII BUS

The MAC controller drives the transmit data onto the internal TXD BUS. When the controller has driven TX\_EN high to indicate valid data, the data is latched by the MII block on the rising edge of TX\_CLK. The data is in the form of 4-bit wide 2.5MHz data.

## 4.4.2 MANCHESTER ENCODING

The 4-bit wide data is sent to the TX10M block. The nibbles are converted to a 10Mbps serial NRZI data stream. The 10M PLL locks onto the external clock or internal oscillator and produces a 20MHz clock. This is used to Manchester encode the NRZ data stream. When no data is being transmitted (TX\_EN is low), the TX10M block outputs Normal Link Pulses (NLPs) to maintain communications with the remote link partner.

## 4.4.3 10M TRANSMIT DRIVERS

The Manchester encoded data is sent to the analog transmitter where it is shaped and filtered before being driven out as a differential signal across the TXP and TXN outputs.

## 4.5 10Base-T Receive

The 10Base-T receiver gets the Manchester- encoded analog signal from the cable via the magnetics. It recovers the receive clock from the signal and uses this clock to recover the NRZI data stream. This 10M serial data is converted to 4-bit data nibbles which are passed to the controller across the MII at a rate of 2.5MHz.

This 10M receiver uses the following blocks:

- Filter and SQUELCH (analog)
- 10M PLL (analog)
- RX 10M (digital)
- MII (digital)

### 4.5.1 10M RECEIVE INPUT AND SQUELCH

The Manchester signal from the cable is fed into the PHY (on inputs RXP and RXN) via 1:1 ratio magnetics. It is first filtered to reduce any out-of-band noise. It then passes through a SQUELCH circuit. The SQUELCH is a set of amplitude and timing comparators that normally reject differential voltage levels below 300mV and detect and recognize differential voltages above 585mV.

### 4.5.2 MANCHESTER DECODING

The output of the SQUELCH goes to the RX10M block where it is validated as Manchester encoded data. The polarity of the signal is also checked. If the polarity is reversed (local RXP is connected to RXN of the remote partner and vice versa), then this is identified and corrected. The reversed condition is indicated by the flag "XPOL", bit 4 in register 27. The 10M PLL is locked onto the received Manchester signal and from this, generates the received 20MHz clock. Using this clock, the Manchester encoded data is extracted and converted to a 10MHz NRZI data stream. It is then converted from serial to 4-bit wide parallel data.

The RX10M block also detects valid 10Base-T IDLE signals - Normal Link Pulses (NLPs) - to maintain the link.

### 4.5.3 JABBER DETECTION

Jabber is a condition in which a station transmits for a period of time longer than the maximum permissible packet length, usually due to a fault condition, that results in holding the TX\_EN input for a long period. Special logic is used to detect the jabber state and abort the transmission to the line, within 45ms. Once TX\_EN is deasserted, the logic resets the jabber condition.

## 4.6 Auto-negotiation

The purpose of the Auto-negotiation function is to automatically configure the PHY to the optimum link parameters based on the capabilities of its link partner. Auto-negotiation is a mechanism for exchanging configuration information between two link-partners and automatically selecting the highest performance mode of operation supported by both sides. Auto-negotiation is fully defined in clause 28 of the IEEE 802.3 specification.

Once auto-negotiation has completed, information about the resolved link can be passed back to the controller via the internal Serial Management Interface (SMI). The results of the negotiation process are reflected in the Speed Indication bits in register 31, as well as the Link Partner Ability Register (Register 5).

The auto-negotiation protocol is a purely physical layer activity and proceeds independently of the MAC controller.

The advertised capabilities of the PHY are stored in register 4 of the SMI registers. The default advertised by the PHY is determined by user-defined on-chip signal options.

The following blocks are activated during an Auto-negotiation session:

- Auto-negotiation (digital)
- 100M ADC (analog)
- 100M PLL (analog)
- 100M equalizer/BLW/clock recovery (DSP)
- 10M SQUELCH (analog)
- 10M PLL (analog)
- 10M Transmitter (analog)

When enabled, auto-negotiation is started by the occurrence of one of the following events:

- Hardware reset
- Software reset
- Power-down reset
- Link status down
- Setting register 0, bit 9 high (auto-negotiation restart)

On detection of one of these events, the PHY begins auto-negotiation by transmitting bursts of Fast Link Pulses (FLP). These are bursts of link pulses from the 10M transmitter. They are shaped as Normal Link Pulses and can pass uncorrupted down CAT-3 or CAT-5 cable. A Fast Link Pulse Burst consists of up to 33 pulses. The 17 odd-numbered pulses, which are always present, frame the FLP burst. The 16 even-numbered pulses, which may be present or absent, contain the data word being transmitted. Presence of a data pulse represents a “1”, while absence represents a “0”.

The data transmitted by an FLP burst is known as a “Link Code Word.” These are defined fully in IEEE 802.3 clause 28. In summary, the PHY advertises 802.3 compliance in its selector field (the first 5 bits of the Link Code Word). It advertises its technology ability according to the bits set in register 4 of the SMI registers.

There are 4 possible matches of the technology abilities. In the order of priority these are:

- 100M full-duplex (Highest priority)
- 100M half-duplex
- 10M full-duplex
- 10M half-duplex

If the full capabilities of the PHY are advertised (100M, full-duplex), and if the link partner is capable of 10M and 100M, then auto-negotiation selects 100M as the highest performance mode. If the link partner is capable of half and full-duplex modes, then auto-negotiation selects full-duplex as the highest performance operation.

Once a capability match has been determined, the link code words are repeated with the acknowledge bit set. Any difference in the main content of the link code words at this time will cause auto-negotiation to re-start. Auto-negotiation will also re-start if not all of the required FLP bursts are received.

Writing register 4 bits [8:5] allows software control of the capabilities advertised by the PHY. Writing register 4 does not automatically re-start auto-negotiation. Register 0, bit 9 must be set before the new abilities will be advertised. Auto-negotiation can also be disabled via software by clearing register 0, bit 12.

The LAN9116 does not support “Next Page” capability.

## 4.7 Parallel Detection

If the LAN9116 is connected to a device lacking the ability to auto-negotiate (i.e. no FLPs are detected), it is able to determine the speed of the link based on either 100M MLT-3 symbols or 10M Normal Link Pulses. In this case the link is presumed to be half-duplex per the IEEE standard. This ability is known as “Parallel Detection. This feature ensures inter operability with legacy link partners. If a link is formed via parallel detection, then bit 0 in register 6 is cleared to indicate that the Link Partner is not capable of auto-negotiation. The Ethernet MAC has access to this information via the management interface. If a fault occurs during parallel detection, bit 4 of register 6 is set.

Register 5 is used to store the Link Partner Ability information, which is coded in the received FLPs. If the Link Partner is not auto-negotiation capable, then register 5 is updated after completion of parallel detection to reflect the speed capability of the Link Partner.

# LAN9116

## 4.7.1 RE-STARTING AUTO-NEGOTIATION

Auto-negotiation can be re-started at any time by setting register 0, bit 9. Auto-negotiation will also re-start if the link is broken at any time. A broken link is caused by signal loss. This may occur because of a cable break, or because of an interruption in the signal transmitted by the Link Partner. Auto-negotiation resumes in an attempt to determine the new link configuration.

If the management entity re-starts Auto-negotiation by writing to bit 9 of the control register, the LAN9116 will respond by stopping all transmission/receiving operations. Once the break\_link\_timer is done, in the Auto-negotiation state-machine (approximately 1200ms) the auto-negotiation will re-start. The Link Partner will have also dropped the link due to lack of a received signal, so it too will resume auto-negotiation.

## 4.7.2 DISABLING AUTO-NEGOTIATION

Auto-negotiation can be disabled by setting register 0, bit 12 to zero. The device will then force its speed of operation to reflect the information in register 0, bit 13 (speed) and register 0, bit 8 (duplex). The speed and duplex bits in register 0 should be ignored when auto-negotiation is enabled.

## 4.7.3 HALF VS. FULL-DUPLEX

Half-duplex operation relies on the CSMA/CD (Carrier Sense Multiple Access / Collision Detect) protocol to handle network traffic and collisions. In this mode, the carrier sense signal, CRS, responds to both transmit and receive activity. In this mode, if data is received while the PHY is transmitting, a collision results.

In full-duplex mode, the PHY is able to transmit and receive data simultaneously. In this mode, CRS responds only to receive activity. The CSMA/CD protocol does not apply and collision detection is disabled. [Table 4-2](#) describes the behavior of the CRS bit under all receive/transmit conditions.

**TABLE 4-2: CRS BEHAVIOR**

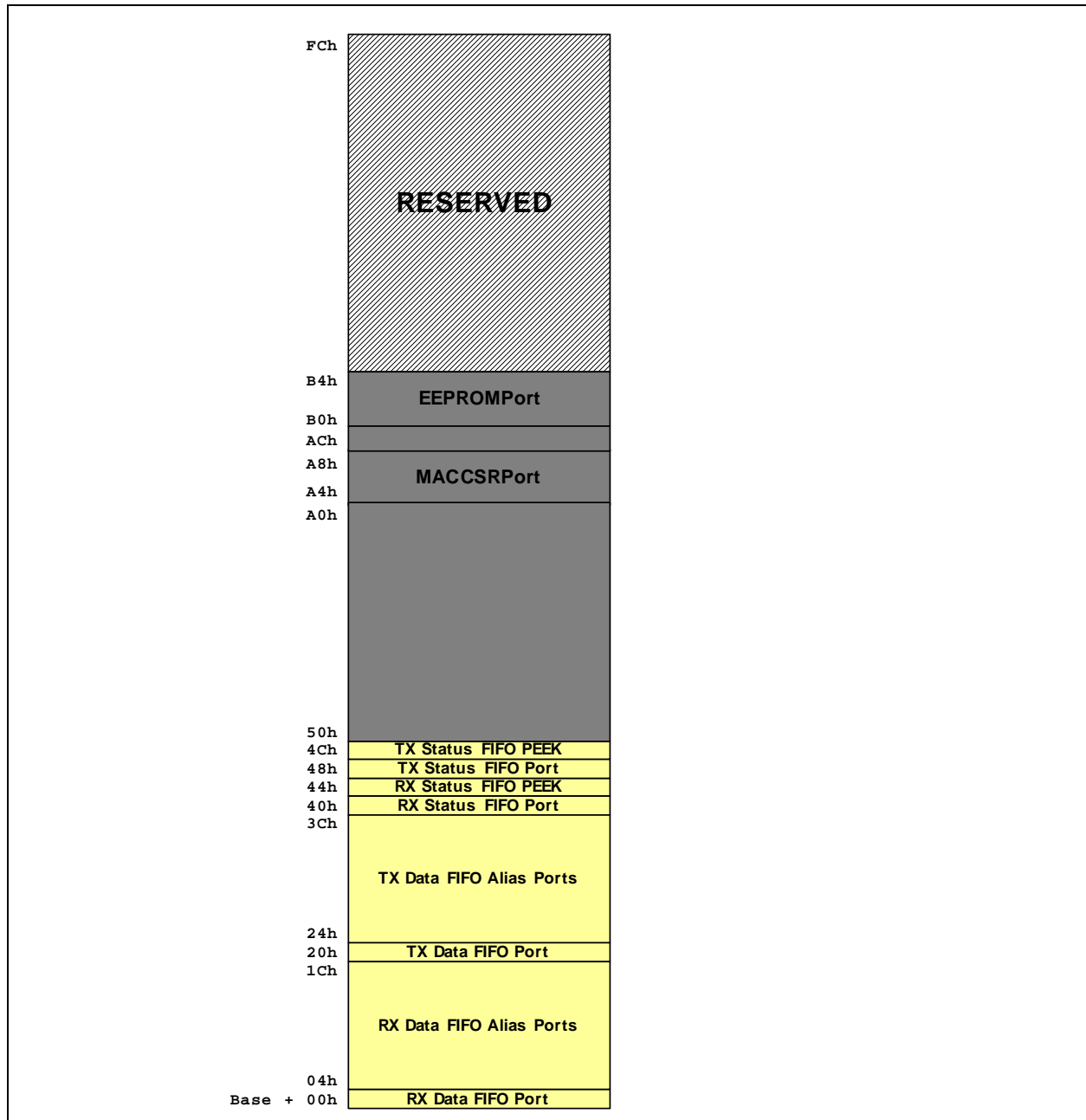
Mode	Speed	Duplex	Activity	CRS Behavior (Note 4-1)
Manual	10 Mbps	Half-Duplex	Transmitting	Active
Manual	10 Mbps	Half-Duplex	Receiving	Active
Manual	10 Mbps	Full-Duplex	Transmitting	Low
Manual	10 Mbps	Full-Duplex	Receiving	Active
Manual	100 Mbps	Half-Duplex	Transmitting	Active
Manual	100 Mbps	Half-Duplex	Receiving	Active
Manual	100 Mbps	Full-Duplex	Transmitting	Low
Manual	100 Mbps	Full-Duplex	Receiving	Active
Auto-Negotiation	10 Mbps	Half-Duplex	Transmitting	Active
Auto-Negotiation	10 Mbps	Half-Duplex	Receiving	Active
Auto-Negotiation	10 Mbps	Full-Duplex	Transmitting	Low
Auto-Negotiation	10 Mbps	Full-Duplex	Receiving	Active
Auto-Negotiation	100 Mbps	Half-Duplex	Transmitting	Active
Auto-Negotiation	100 Mbps	Half-Duplex	Receiving	Active
Auto-Negotiation	100 Mbps	Full-Duplex	Transmitting	Low
Auto-Negotiation	100 Mbps	Full-Duplex	Receiving	Active

**Note 4-1** The LAN9116 10/100 PHY CRS signal operates in two modes: Active and Low. When in Active mode, CRS will transition high and low upon line activity, where a high value indicates a carrier has been detected. In Low mode, CRS stays low and does not indicate carrier detection. The CRS signal cannot be used as a verification method of transmitted packets when transmitting in 10 or 100 Mbps in full-duplex mode.

## 5.0 REGISTER DESCRIPTION

The following section describes all LAN9116 registers and data ports.

**FIGURE 5-1: LAN9116 MEMORY MAP**



# LAN9116

## 5.1 Register Nomenclature and Access Attributes

Symbol	Description
RO	<b>Read Only:</b> If a register is read only, writes to this register have no effect.
WO	<b>Write Only:</b> If a register is write only, reads always return 0.
R/W	<b>Read/Write:</b> A register with this attribute can be read and written
R/WC	<b>Read/Write Clear:</b> A register bit with this attribute can be read and written. However, a write of a 1 clears (sets to 0) the corresponding bit and a write of a 0 has no effect.
RC	<b>Read to Clear:</b> A register bit with this attribute is cleared when read.
LL	<b>Latch Low:</b> Clear on read of register
LH	<b>Latch High:</b> Clear on read of register
SC	<b>Self-Clearing</b>
NASR	<b>Not Affected by Software Reset</b>
Reserved Bits	Unless otherwise stated, reserved fields must be written with zeros to ensure future compatibility. The value of reserved bits is not supported on a read.
Reserved Registers	In addition to reserved bits within a register, the LAN9116 contains address locations in the configuration space that are marked "Reserved". When a "Reserved" register location is read, a random value can be returned. Registers that are marked as "Reserved" must not be modified by system software. Writes to "Reserved" registers may cause system failure.
Default Value Upon Reset	Upon a Reset (System reset, Software Reset, or POR), the LAN9116 sets its internal configuration registers to predetermined <b>default</b> states. The default state represents the minimum functionality feature set required to successfully bring up the system. Hence, it does not represent the optimal system configuration. It is the responsibility of the system initialization software to properly determine the operating parameters and optional system features that are applicable, and to program the LAN9116 registers accordingly.

## 5.2 RX and TX FIFO Ports

The LAN9116 contains four host-accessible FIFOs: the RX Status, RX data, TX Status, and TX data FIFOs. The sizes of the RX and TX data FIFOs, as well as the RX Status FIFO are configurable through the CSRs.

### 5.2.1 RX FIFO PORTS

The RX data Path consists of two Read-Only FIFOs; the RX Status and data. The RX Status FIFO can be read from two locations. The RX Status FIFO Port will perform a destructive read, thus "Popping" the data from the RX Status FIFO. There is also the RX Status FIFO PEEK location. This location allows a non-destructive read of the top (oldest) location of the FIFO.

The RX data FIFO only allows destructive reads. It is aliased in 8 DWORD locations (16 WORD locations in 16-bit mode) from the 00h offset to 1Ch offset. The host may access any of the 8(16) locations since they all contain the same data and perform the same function.

### 5.2.2 TX FIFO PORTS

The TX data Path consists of two FIFOs, the TX status and data. The TX Status FIFO can be read from two locations. The TX Status FIFO Port will perform a destructive read, thus "Popping" the data from the TX Status FIFO. There is also the TX Status FIFO PEEK location. This location allows a non-destructive read of the top (oldest) location of the FIFO.

The TX data FIFO is Write Only. It is aliased in 8 DWORD locations (16 WORD locations in 16-bit mode) from the 20h offset to 3Ch offset. The host may write to any of the 8(16) locations since they all access the same TX data FIFO location and perform the same function.

## 5.3 System Control and Status Registers

Table 5-1, "LAN9116 Direct Address Register Map", lists the registers that are directly addressable by the host bus.

**TABLE 5-1: LAN9116 DIRECT ADDRESS REGISTER MAP**

Control and Status Registers			
Base Address + Offset	Symbol	Register Name	Default
50h	ID_REV	Chip ID and Revision.	See "ID_REV—Chip ID and Revision" on page 56.
54h	IRQ_CFG	Main Interrupt Configuration	00000000h
58h	INT_STS	Interrupt Status	00000000h
5Ch	INT_EN	Interrupt Enable Register	00000000h
60h	RESERVED	Reserved for future use	-
64h	BYTE_TEST	Read-only byte order testing register	87654321h
68h	FIFO_INT	FIFO Level Interrupts	48000000h
6Ch	RX_CFG	Receive Configuration	00000000h
70h	TX_CFG	Transmit Configuration	00000000h
74h	HW_CFG	Hardware Configuration	00050000h
78h	RX_DP_CTL	RX Datapath Control	00000000h
7Ch	RX_FIFO_INF	Receive FIFO Information	00000000h
80h	TX_FIFO_INF	Transmit FIFO Information	00001200h
84h	PMT_CTRL	Power Management Control	00000000h
88h	GPIO_CFG	General Purpose IO Configuration	00000000h
8Ch	GPT_CFG	General Purpose Timer Configuration	0000FFFFh
90h	GPT_CNT	General Purpose Timer Count	0000FFFFh
94h	RESERVED	Reserved for future use	-
98h	WORD_SWAP	WORD SWAP Register	00000000h
9Ch	FREE_RUN	Free Run Counter	-
A0h	RX_DROP	RX Dropped Frames Counter	00000000h
A4h	MAC_CSR_CMD	MAC CSR Synchronizer Command (MAC CSR's are indexed through this register)	00000000h
A8h	MAC_CSR_DATA	MAC CSR Synchronizer Data	00000000h
ACh	AFC_CFG	Automatic Flow Control Configuration	00000000h
B0h	E2P_CMD	EEPROM command (The EEPROM is indexed through this register)	00000000h
B4h	E2P_DATA	EEPROM Data	00000000h
B8h - FCh	RESERVED	Reserved for future use	-

# LAN9116

## 5.3.1 ID\_REV—CHIP ID AND REVISION

Offset: 50h Size: 32 bits

This register contains the ID and Revision fields for this design.

Bits	Description	Type	Default
31-16	<b>Chip ID.</b> This read-only field identifies this design	RO	0116h
15-0	<b>Chip Revision.</b> This is the current revision of the chip.	RO	0001h

## 5.3.2 IRQ\_CFG—INTERRUPT CONFIGURATION REGISTER

Offset: 54h Size: 32 bits

This register configures and indicates the state of the IRQ signal.

Bits	Description	Type	Default
31:24	<b>Interrupt Deassertion Interval (INT_DEAS).</b> This field determines the Interrupt Deassertion Interval for the Interrupt Request in multiples of 10 microseconds.  Writing zeros to this field disables the INT_DEAS Interval and resets the interval counter. Any pending interrupts are then issued. If a new, non-zero value is written to the INT_DEAS field, any subsequent interrupts will obey the new setting.  <b>Note:</b> The Interrupt Deassertion interval does not apply to the PME interrupt.	R/W	0
23-15	<b>Reserved</b>	RO	-
14	<b>Interrupt Deassertion Interval Clear (INT_DEAS_CLR).</b> Writing a one to this register clears the de-assertion counter in the IRQ Controller, thus causing a new de-assertion interval to begin (regardless of whether or not the IRQ Controller is currently in an active de-assertion interval).	SC	0
13	<b>Interrupt Deassertion Status (INT_DEAS_STS).</b> When set, this bit indicates that the INT_DEAS is currently in a deassertion interval, and any interrupts (as indicated by the IRQ_INT and INT_EN bits) will not be delivered to the IRQ pin. When cleared, the INT_DEAS is currently not in a deassertion interval, and enabled interrupts will be delivered to the IRQ pin.	SC	0
12	<b>Master Interrupt (IRQ_INT).</b> This read-only bit indicates the state of the internal IRQ line. When set high, one of the enabled interrupts is currently active. This bit will respond to the associated interrupts regardless of the IRQ_EN field. This bit is not affected by the setting of the INT_DEAS field.	RO	0
11-9	<b>Reserved</b>	RO	-
8	<b>IRQ Enable (IRQ_EN)</b> – This bit controls the final interrupt output to the IRQ pin. When cleared, the IRQ output is disabled and will be permanently deasserted. This bit only controls the external IRQ signal, and has no effect on any of the internal interrupt status bits.	R/W	0
7-5	<b>Reserved</b>	RO	-
4	<b>IRQ Polarity (IRQ_POL)</b> – When cleared, enables the IRQ line to function as an active low output. When set, the IRQ output is active high. When IRQ is configured as an open-drain output this field is ignored, and the interrupt output is always active low.	R/W NASR	0



Bits	Description	Type	Default
3-1	Reserved	RO	-
0	<b>IRQ Buffer Type (IRQ_TYPE)</b> – When cleared, enables IRQ to function as an open-drain buffer for use in a Wired-Or Interrupt configuration. When set, the IRQ output is a Push-Pull driver. When configured as an open-drain output the IRQ_POL field is ignored, and the interrupt output is always active low.	R/W NASR	0

### 5.3.3 INT\_STS—INTERRUPT STATUS REGISTER

Offset: 58h                      Size: 32 bits

This register contains the current status of the generated interrupts. Writing a 1 to the corresponding bits acknowledges and clears the interrupt.

Bits	Description	Type	Default
31	<b>Software Interrupt (SW_INT)</b> . This interrupt is generated when the SW_INT_EN bit is set high. Writing a one clears this interrupt.	R/WC	0
30-26	<b>Reserved</b>	RO	-
25	<b>TX Stopped (TXSTOP_INT)</b> . This interrupt is issued when STOP_TX bit in TX_CFG is set, and the transmitter is halted.	R/WC	0
24	<b>RX Stopped (RXSTOP_INT)</b> . This interrupt is issued when the receiver is halted.	R/WC	0
23	<b>RX Dropped Frame Counter Halfway (RXDFH_INT)</b> . This interrupt is issued when the RX Dropped Frames Counter counts past its halfway point (7FFFFFFFh to 80000000h).	R/WC	0
22	<b>Reserved</b>	RO	0
21	<b>TX IOC Interrupt (TX_IOC)</b> . When a buffer with the IOC flag set has finished being loaded into the TX FIFO, this interrupt is generated.	R/WC	0
20	<b>RX DMA Interrupt (RXD_INT)</b> . This interrupt is issued when the amount of data programmed in the RX DMA Count (RX_DMA_CNT) field of the RX_CFG register has been transferred out of the RX FIFO.	R/WC	0
19	<b>GP Timer (GPT_INT)</b> . This interrupt is issued when the General Purpose timer wraps past zero to FFFFh.	R/WC	0
18	<b>PHY (PHY_INT)</b> . Indicates a PHY Interrupt event.	RO	0
17	<b>Power Management Event Interrupt (PME_INT)</b> . This interrupt is issued when a Power Management Event is detected as configured in the PMT_CTRL register. This interrupt functions independent of the PME signal, and will still function if the PME signal is disabled. Writing a '1' clears this bit regardless of the state of the PME hardware signal. <b>Notes:</b> <ul style="list-style-type: none"> <li>• Detection of a Power Management Event, and assertion of the PME signal will not wakeup the LAN9116. The LAN9116 will only wake up when it detects a host write cycle of any data to the BYTE_TEST register.</li> <li>• The Interrupt Deassertion interval does not apply to the PME interrupt.</li> </ul>	R/WC	0
16	<b>TX Status FIFO Overflow (TXSO)</b> . Generated when the TX Status FIFO overflows.	R/WC	0
15	<b>Receive Watchdog Time-out (RWT)</b> . Interrupt is generated when a packet larger than 2048 bytes has been received.	R/WC	0
14	<b>Receiver Error (RXE)</b> . Indicates that the receiver has encountered an error. Please refer to <a href="#">Section 3.13.5, "Receiver Errors," on page 45</a> for a description of the conditions that will cause an RXE.	R/WC	0

# LAN9116

Bits	Description	Type	Default
13	<b>Transmitter Error (TXE).</b> When generated, indicates that the transmitter has encountered an error. Please refer to <a href="#">Section 3.12.7, "Transmitter Errors,"</a> on page 41, for a description of the conditions that will cause a TXE.	R/WC	0
12-11	<b>Reserved</b>	RO	-
10	<b>TX Data FIFO Overrun Interrupt (TDFO).</b> Generated when the TX data FIFO is full, and another write is attempted.	R/WC	0
9	<b>TX Data FIFO Available Interrupt (TDFA).</b> Generated when the TX data FIFO available space is greater than the programmed level.	R/WC	0
8	<b>TX Status FIFO Full Interrupt (TSFF).</b> Generated when the TX Status FIFO is full.	R/WC	0
7	<b>TX Status FIFO Level Interrupt (TSFL).</b> Generated when the TX Status FIFO reaches the programmed level.	R/WC	0
6	<b>RX Dropped Frame Interrupt (RXDF_INT).</b> This interrupt is issued whenever a receive frame is dropped.	R/WC	0
5	<b>Reserved</b>	RO	-
4	<b>RX Status FIFO Full Interrupt (RSFF).</b> Generated when the RX Status FIFO is full.	R/WC	0
3	<b>RX Status FIFO Level Interrupt (RSFL).</b> Generated when the RX Status FIFO reaches the programmed level.	R/WC	0
2-0	<b>GPIO [2:0] (GPIOx_INT).</b> Interrupts are generated from the GPIO's. These interrupts are configured through the GPIO_CFG register.	R/WC	000

## 5.3.4 INT\_EN—INTERRUPT ENABLE REGISTER

Offset: 5Ch      Size: 32 bits

This register contains the interrupt masks for IRQ. Writing 1 to any of the bits enables the corresponding interrupt as a source for IRQ. Bits in the INT\_STS register will still reflect the status of the interrupt source regardless of whether the source is enabled as an interrupt in this register.

Bits	Description	Type	Default
31	<b>Software Interrupt (SW_INT_EN)</b>	R/W	0
30:26	<b>Reserved</b>	RO	-
25	<b>TX Stopped Interrupt Enable (TXSTOP_INT_EN)</b>	R/W	0
24	<b>RX Stopped Interrupt Enable (RXSTOP_INT_EN)</b>	R/W	0
23	<b>RX Dropped Frame Counter Halfway Interrupt Enable (RXDFH_INT_EN).</b>	R/W	0
22	<b>Reserved</b>	RO	0
21	<b>TX IOC Interrupt Enable (TIOC_INT_EN)</b>	R/W	0
20	<b>RX DMA Interrupt (RXD_INT).</b>	R/W	0
19	<b>GP Timer (GPT_INT_EN)</b>	R/W	0
18	<b>PHY (PHY_INT_EN)</b>	R/W	0
17	<b>Power Management Event Interrupt Enable (PME_INT_EN)</b>	R/W	0
16	<b>TX Status FIFO Overflow (TXSO_EN)</b>	R/W	0
15	<b>Receive Watchdog Time-out Interrupt (RWT_INT_EN)</b>	R/W	0
14	<b>Receiver Error Interrupt (RXE_INT_EN)</b>	R/W	0
13	<b>Transmitter Error Interrupt (TXE_INT_EN)</b>	R/W	0
12-11	<b>Reserved</b>	RO	-
10	<b>TX Data FIFO Overrun Interrupt (TDFO_INT_EN)</b>	R/W	0

Bits	Description	Type	Default
9	<b>TX Data FIFO Available Interrupt (TDFA_INT_EN)</b>	R/W	0
8	<b>TX Status FIFO Full Interrupt (TSFF_INT_EN)</b>	R/W	0
7	<b>TX Status FIFO Level Interrupt (TSFL_INT_EN)</b>	R/W	0
6	<b>RX Dropped Frame Interrupt Enable (RXDF_INT_EN)</b>	R/W	0
5	<b>Reserved</b>	RO	-
4	<b>RX Status FIFO Full Interrupt (RSFF_INT_EN)</b>	R/W	0
3	<b>RX Status FIFO Level Interrupt (RSFL_INT_EN)</b>	R/W	0
2-0	<b>GPIO [2:0] (GPIOx_INT_EN).</b>	R/W	000

### 5.3.5 BYTE\_TEST—BYTE ORDER TEST REGISTER

Offset: 64h                      Size: 32 bits

This register can be used to determine the byte ordering of the current configuration

Bits	Description	Type	Default
31:0	<b>Byte Test</b>	RO	87654321h

### 5.3.6 FIFO\_INT—FIFO LEVEL INTERRUPTS

Offset: 68h                      Size: 32 bits

This register configures the limits where the FIFO Controllers will generate system interrupts.

Bits	Description	Type	Default
31-24	<b>TX Data Available Level.</b> The value in this field sets the level, in number of 64 Byte blocks, at which the TX FIFO Available interrupt (TFDA) will be generated. When the TX data FIFO free space is greater than this value a TX FIFO Available interrupt (TDFA) will be generated.	R/W	48h
23-16	<b>TX Status Level.</b> The value in this field sets the level, in number of DWORDs, at which the TX Status FIFO Level interrupt (TSFL) will be generated. When the TX Status FIFO used space is greater than this value an TX Status FIFO Level interrupt (TSFL) will be generated.	R/W	00h
15-8	<b>Reserved</b>	RO	-
7-0	<b>RX Status Level.</b> The value in this field sets the level, in number of DWORDs, at which the RX Status FIFO Level interrupt (RSFL) will be generated. When the RX Status FIFO used space is greater than this value an RX Status FIFO Level interrupt (RSFL) will be generated.	R/W	00h

# LAN9116

## 5.3.7 RX\_CFG—RECEIVE CONFIGURATION REGISTER

Offset: 6Ch Size: 32 bits

This register controls the LAN9116 receive engine.

Bits	Description	Type	Default
31:30	<p><b>RX End Alignment.</b> This field specifies the alignment that must be maintained on the last data transfer of a buffer. The LAN9116 will add extra DWORDs of data up to the alignment specified in the table below. The host is responsible for removing these extra DWORDs. This mechanism can be used to maintain cache line alignment on host processors. Please refer to <a href="#">Table 5-2</a> for bit definitions</p> <p><b>Note:</b> The desired RX End Alignment must be set before reading a packet. The RX end alignment can be changed between reading receive packets, but must not be changed if the packet is partially read.</p>	R/W	00b
29-28	<b>Reserved</b>	RO	-
27-16	<p><b>RX DMA Count (RX_DMA_CNT).</b> This 12-bit field indicates the amount of data, in DWORDS, to be transferred out of the RX data FIFO before asserting the RXD_INT. After being set, this field is decremented for each DWORD of data that is read from the RX data FIFO. This field can be overwritten with a new value before it reaches zero.</p>	R/W	000h
15	<p><b>Force RX Discard (RX_DUMP).</b> This self-clearing bit clears the RX data and status FIFOs of all pending data. When a '1' is written, the RX data and status pointers are cleared to zero.</p> <p><b>Note:</b> Please refer to section "Force Receiver Discard (Receiver Dump)" on page 43 for a detailed description regarding the use of RX_DUMP.</p>	SC	0
14-13	<b>Reserved</b>	RO	-
12-8	<p><b>RX Data Offset (RXDOFF).</b> This field controls the offset value, in bytes, that is added to the beginning of an RX data packet. The start of the valid data will be shifted by the number of bytes specified in this field. An offset of 0-31 bytes is a valid number of offset bytes.</p> <p><b>Note:</b> The two LSBs of this field (D[9:8]) must not be modified while the RX is running. The receiver must be halted, and all data purged before these two bits can be modified. The upper three bits (DWORD offset) may be modified while the receiver is running. Modifications to the upper bits will take affect on the next DWORD read.</p>	R/W	00000
7-0	<b>Reserved</b>	RO	-

**TABLE 5-2: RX ALIGNMENT BIT DEFINITIONS**

[31]	[30]	End Alignment
0	0	4-byte alignment
0	1	16-byte alignment
1	0	32-byte alignment
1	1	Reserved

## 5.3.8 TX\_CFG—TRANSMIT CONFIGURATION REGISTER

Offset: 70h Size: 32 bits

This register controls the transmit functions on the LAN9116 Ethernet Controller.

Bits	Description	Type	Default
31-16	<b>Reserved.</b>	RO	-
15	<b>Force TX Status Discard (TXS_DUMP).</b> This self-clearing bit clears the TX status FIFO of all pending status DWORD's. When a '1' is written, the TX status pointers are cleared to zero.	SC	0
14	<b>Force TX Data Discard (TXD_DUMP).</b> This self-clearing bit clears the TX data FIFO of all pending data. When a '1' is written, the TX data pointers are cleared to zero.	SC	0
13-3	<b>Reserved</b>	RO	-
2	<b>TX Status Allow Overrun (TXSAO).</b> When this bit is cleared, data transmission is suspended if the TX Status FIFO becomes full. Setting this bit high allows the transmitter to continue operation with a full TX Status FIFO. <b>Note:</b> This bit does not affect the operation of the TX Status FIFO Full interrupt.	R/W	0
1	<b>Transmitter Enable (TX_ON).</b> When this bit is set (1), the transmitter is enabled. Any data in the TX FIFO will be sent. This bit is cleared automatically when STOP_TX is set and the transmitter is halted.	R/W	0
0	<b>Stop Transmitter (STOP_TX).</b> When this bit is set (1), the transmitter will finish the current frame, and will then stop transmitting. When the transmitter has stopped this bit will clear. All writes to this bit are ignored while this bit is high.	SC	0

## 5.3.9 HW\_CFG—HARDWARE CONFIGURATION REGISTER

Offset: 74h Size: 32 bits

This register controls the hardware configuration of the LAN9116 Ethernet Controller.

**Note:** The transmitter and receiver must be stopped before writing to this register. Refer to [Section 3.12.8, "Stopping and Starting the Transmitter,"](#) on page 41 and [Section 3.13.4, "Stopping and Starting the Receiver,"](#) on page 45 for details on stopping the transmitter and receiver.

Bits	Description	Type	Default
31-21	<b>Reserved</b>	RO	-
20	<b>Must Be One (MBO).</b> This bit must be set to "1" for normal device operation.	R/W	0
16-19	<b>TX FIFO Size (TX_FIF_SZ).</b> Sets the size of the TX FIFOs in 1KB values to a maximum of 14KB. The TX Status FIFO consumes 512 bytes of the space allocated by TX_FIF_SZ, and the TX data FIFO consumes the remaining space specified by TX_FIF_SZ. The minimum size of the TX FIFOs is 2KB (TX data and status combined). The TX data FIFO is used for both TX data and TX commands.  The RX status and data FIFOs consume the remaining space, which is equal to 16KB – TX_FIF_SZ. See <a href="#">Section 5.3.9.1, "Allowable settings for Configurable FIFO Memory Allocation,"</a> on page 62 for more information.	R/W	5h

# LAN9116

Bits	Description	Type	Default
15-3	<b>Reserved</b>	RO	-
2	<b>32/16-bit Mode.</b> When set, the LAN9116 is set for 32-bit operation. When clear, it is configured for 16-bit operation. This field is the value of the D32/nD16 strap.	RO	-
1	<b>Soft Reset Time-out (SRST_TO).</b> If a software reset is attempted when the internal PHY is not in the operational state (RX_CLK and TX_CLK running), the reset will not complete and the soft reset operation will time-out and this bit will be set to a '1'. The host processor must correct the problem and issue another soft reset.	RO	0
0	<p><b>Soft Reset (SRST).</b> Writing 1 generates a software initiated reset. This reset generates a full reset of the MAC CSR's. The SCSR's (system command and status registers) are reset except for any NASR bits. Soft reset also clears any TX or RX errors (TXE/RXE). This bit is self-clearing.</p> <p><b>Note:</b></p> <ul style="list-style-type: none"> <li>Do not attempt a soft reset unless the internal PHY is fully awake and operational. After a PHY reset, or when returning from a reduced power state, the PHY must be given adequate time to return to the operational state before a soft reset can be issued. The internal RX_CLK and TX_CLK signals must be running for a proper software reset. Please refer to <a href="#">Section 6.8, "Reset Timing," on page 98</a> for details on PHY reset timing.</li> <li>The LAN9116 must always be read at least once after power-up, reset, or upon return from a power-saving state or write operations will not function.</li> </ul>	SC	0

## 5.3.9.1 Allowable settings for Configurable FIFO Memory Allocation

TX and RX FIFO space is configurable through the CSR - HW\_CFG register defined above. The user must select the FIFO allocation by setting the TX FIFO Size (TX\_FIF\_SZ) field in the hardware configuration (HW\_CFG) register. The TX\_FIF\_SZ field selects the total allocation for the TX data path, including the TX Status FIFO size. The TX Status FIFO size is fixed at 512 Bytes (128 TX Status DWORDs). The TX Status FIFO length is subtracted from the total TX FIFO size with the remainder being the TX data FIFO Size. Note that TX data FIFO space includes both commands and payload data.

RX FIFO Size is the remainder of the unallocated FIFO space (16384 bytes – TX FIFO Size). The RX Status FIFO size is always equal to 1/16 of the RX FIFO Size. The RX Status FIFO length is subtracted from the total RX FIFO size with the remainder being the RX data FIFO Size.

For example, if TX\_FIF\_SZ = 6 then:

Total TX FIFO Size = 6144 Bytes (6KB)

TX Status FIFO Size = 512 Bytes (Fixed)

TX Data FIFO Size = 6144 – 512 = 5632 Bytes

RX FIFO Size = 16384 – 6144 = 10240 Bytes (10KB)

RX Status FIFO Size = 10240 / 16 = 640 Bytes (160 RX Status DWORDs)

RX Data FIFO Size = 10240 – 640 = 9600 Bytes

[Table 5-3](#) shows every valid setting for the TX\_FIF\_SZ field. Note that settings not shown in this table are reserved and should not be used.

**Note:** The RX data FIFO is considered full 4 DWORDs before the length that is specified in the HW\_CFG register.

**TABLE 5-3: VALID TX/RX FIFO ALLOCATIONS**

TX_FIF_SZ	TX Data FIFO Size (Bytes)	TX Status FIFO Size (Bytes)	RX Data FIFO Size (Bytes)	RX Status FIFO Size (Bytes)
2	1536	512	13440	896
3	2560	512	12480	832
4	3584	512	11520	768
5	4608	512	10560	704
6	5632	512	9600	640
7	6656	512	8640	576
8	7680	512	7680	512
9	8704	512	6720	448
10	9728	512	5760	384
11	10752	512	4800	320
12	11776	512	3840	256
13	12800	512	2880	192
14	13824	512	1920	128

In addition to the host-accessible FIFOs, the MAC Interface Layer (MIL) contains an additional 2K bytes of TX, and 128 bytes of RX FIFO buffering. These sizes are fixed, and cannot be adjusted by the host.

As space in the TX MIL (Mac Interface Layer) FIFO frees, data is moved into it from the TX data FIFO. Depending on the size of the frames to be transmitted, the MIL can hold up to two Ethernet frames. This is in addition to any TX data that may be queued in the TX data FIFO.

Conversely, as data is received by the LAN9116, it is moved from the MAC to the RX MIL FIFO, and then into the RX data FIFO. When the RX data FIFO fills up, data will continue to collect in the RX MIL FIFO. If the RX MIL FIFO fills up and overruns, subsequent RX frames will be lost until room is made in the RX data FIFO. For each frame of data that is lost, the RX Dropped Frames Counter (RX\_DROP) is incremented.

RX and TX MIL FIFO levels are not visible to the host processor. RX and TX MIL FIFOs operate independent of the TX and RX data and status FIFOs. FIFO levels set for the RX and TX data and Status FIFOs do not take into consideration the MIL FIFOs.

### 5.3.10 RX\_DP\_CTRL—RECEIVE DATAPATH CONTROL REGISTER

Offset: 78h                      Size: 32 bits

This register is used to discard unwanted receive frames.

Bits	Description	Type	Default
31	<b>RX Data FIFO Fast Forward (RX_FFWD):</b> Writing a '1' to this bit causes the RX data FIFO to fast-forward to the start of the next frame. This bit will remain high until the RX data FIFO fast-forward operation has completed. No reads should be issued to the RX data FIFO while this bit is high. <b>Note:</b> Please refer to section "Receive Data FIFO Fast Forward" on page 43 for detailed information regarding the use of RX_FFWD.	R/W	0h
30-0	<b>Reserved</b>	RO	-

# LAN9116

---

---

## 5.3.11 RX\_FIFO\_INF—RECEIVE FIFO INFORMATION REGISTER

Offset: 7Ch Size: 32 bits

This register contains the used space in the receive FIFOs of the LAN9116 Ethernet Controller.

Bits	Description	Type	Default
31-24	<b>Reserved</b>	RO	-
23-16	<b>RX Status FIFO Used Space (RXSUSED).</b> Indicates the amount of space in DWORDs, used in the RX Status FIFO.	RO	00h
15-0	<b>RX Data FIFO Used Space (RXDUSED).</b> Reads the amount of space in bytes, used in the RX data FIFO. For each receive frame, this field is incremented by the length of the receive data rounded up to the nearest DWORD (if the payload does not end on a DWORD boundary).	RO	0000h

## 5.3.12 TX\_FIFO\_INF—TRANSMIT FIFO INFORMATION REGISTER

Offset: 80h Size: 32 bits

This register contains the free space in the transmit data FIFO and the used space in the transmit status FIFO in the LAN9116.

Bits	Description	Type	Default
31-24	<b>Reserved</b>	RO	-
23-16	<b>TX Status FIFO Used Space (TXSUSED).</b> Indicates the amount of space in DWORDS used in the TX Status FIFO.	RO	00h
15-0	<b>TX Data FIFO Free Space (TDFREE).</b> Reads the amount of space in bytes, available in the TX data FIFO. The application should never write more data than is available, as indicated by this value.	RO	1200h

## 5.3.13 PMT\_CTRL— POWER MANAGEMENT CONTROL REGISTER

Offset: 84h Size: 32 bits

This register controls the Power Management features. This register can be read while the LAN9116 is in a power saving mode.

<b>Note:</b> The LAN9116 must always be read at least once after power-up, reset, or upon return from a power-saving state or write operations will not function.
---



Bits	Description	Type	Default
31:14	<b>RESERVED</b>	RO	-
13-12	<p><b>Power Management Mode (PM_MODE)</b> – These bits set the LAN9116 into the appropriate Power Management mode. Special care must be taken when modifying these bits.</p> <p><b>Encoding:</b>            00b – D0 (normal operation)            01b – D1 (wake-up frame and magic packet detection are enabled)            10b – D2 (can perform energy detect)            11b – RESERVED - Do not set in this mode</p> <p><b>Note:</b> When the LAN9116 is in a any of the reduced power modes, a write of any data to the BYTE_TEST register will wake-up the device. DO NOT PERFORM WRITES TO OTHER ADDRESSES while the READY bit in this register is cleared.</p>	SC	00b
11	<b>RESERVED</b>	RO	-
10	<b>PHY Reset (PHY_RST)</b> – Writing a ‘1’ to this bit resets the PHY. The internal logic automatically holds the PHY reset for a minimum of 100us. When the PHY is released from reset, this bit is automatically cleared. All writes to this bit are ignored while this bit is high.	SC	0b
9	<b>Wake-On-Lan Enable (WOL_EN)</b> – When set, the PME signal (if enabled with PME_EN) will be asserted in accordance with the PME_IND bit upon a WOL event. When set, the PME_INT will also be asserted upon a WOL event, regardless of the setting of the PME_EN bit.	R/W	0b
8	<b>Energy-Detect Enable (ED_EN)</b> - When set, the PME signal (if enabled with PME_EN) will be asserted in accordance with the PME_IND bit upon an Energy-Detect event. When set, the PME_INT will also be asserted upon an Energy Detect event, regardless of the setting of the PME_EN bit.	R/W	0b
7	<b>RESERVED</b>	RO	-
6	<b>PME Buffer Type (PME_TYPE)</b> – When cleared, enables PME to function as an open-drain buffer for use in a Wired-Or configuration. When set, the PME output is a Push-Pull driver. When configured as an open-drain output the PME_POL field is ignored, and the output is always active low.	R/W NASR	0b
5-4	<p><b>WAKE-UP Status (WUPS)</b> – This field indicates the cause of a wake-up event detection as follows</p> <p>00b -- No wake-up event detected            01b -- Energy detected            10b -- Wake-up frame or magic packet detected            11b -- Indicates multiple events occurred</p> <p>WUPS bits are cleared by writing a ‘1’ to the appropriate bit. The device must return to the D0 state (READY bit set) before these bits can be cleared.</p> <p><b>Note:</b> In order to clear this bit, it is required that all event sources be cleared as well. The event sources are described in <a href="#">FIGURE 3-11: PME and PME_INT Signal Generation on page 30</a>.</p>	R/WC	00
3	<p><b>PME indication (PME_IND).</b> The PME signal can be configured as a pulsed output or a static signal, which is asserted upon detection of a wake-up event.</p> <p>When set, the PME signal will pulse active for 50mS upon detection of a wake-up event.</p> <p>When clear, the PME signal is driven continuously upon detection of a wake-up event.</p> <p>The PME signal can be deactivated by clearing the WUPS bits, or by clearing the appropriate enable (refer to <a href="#">Section 3.10.2.3, "Power Management Event Indicators," on page 29</a>).</p>	R/W	0b
2	<b>PME Polarity (PME_POL).</b> This bit controls the polarity of the PME signal. When set, the PME output is an active high signal. When reset, it is active low. When PME is configured as an open-drain output this field is ignored, and the output is always active low.	R/W NASR	0b

# LAN9116

Bits	Description	Type	Default
1	<b>PME Enable (PME_EN).</b> When set, this bit enables the external PME signal. This bit does not affect the PME interrupt (PME_INT).	R/W	0b
0	<b>Device Ready (READY).</b> When set, this bit indicates that LAN9116 is ready to be accessed. This register can be read when LAN9116 is in any power management mode. Upon waking from any power management mode, including power-up, the host processor can interrogate this field as an indication when LAN9116 has stabilized and is fully alive. Reads and writes of any other address are invalid until this bit is set.  <b>Note:</b> With the exception of HW_CFG and PMT_CTRL, read access to any internal resources is forbidden while the READY bit is cleared.	RO	-

## 5.3.14 GPIO\_CFG—GENERAL PURPOSE IO CONFIGURATION REGISTER

Offset: 88h                      Size: 32 bits

This register configures the GPIO and LED functions.

Bits	Description	Type	Default
31	Reserved	RO	-
30:28	<b>LED[3:1] enable (LEDx_EN).</b> A '1' sets the associated pin as an LED output. When cleared low, the pin functions as a GPIO signal. LED1/GPIO0 – bit 28 LED2/GPIO1 – bit 29 LED3/GPIO2 – bit 30	R/W	000
27	<b>Reserved</b>	RO	-
26:24	<b>GPIO Interrupt Polarity 0-2 (GPIO_INT_POL).</b> When set high, a high logic level on the corresponding GPIO pin will set the corresponding INT_STS register bit. When cleared low, a low logic level on the corresponding GPIO pin will set the corresponding INT_STS register bit. GPIO Interrupts must also be enabled in GPIOx_INT_EN in the INT_EN register.  GPIO0 – bit 24 GPIO1 – bit 25 GPIO2 – bit 26  <b>Note:</b> GPIO inputs must be active for greater than 40nS to be recognized as interrupt inputs.	R/W	000
23	<b>Reserved</b>	RO	-
22:20	<b>EEPROM Enable (EEPR_EN).</b> The value of this field determines the function of the external EEDIO and EECLK: Please refer to <a href="#">Table 5-4</a> for the EEPROM Enable bit function definitions.  <b>Note:</b> The host must not change the function of the EEDIO and EECLK pins when an EEPROM read or write cycle is in progress. Do not use reserved settings.	R/W	000
19	<b>Reserved</b>	RO	-
18:16	<b>GPIO Buffer Type 0-2 (GPIOBUFn).</b> When set, the output buffer for the corresponding GPIO signal is configured as a push/pull driver. When cleared, the corresponding GPIO set configured as an open-drain driver. GPIO0 – bit 16 GPIO1 – bit 17 GPIO2 – bit 18	R/W	000
15:11	<b>Reserved</b>	RO	-
10:8	<b>GPIO Direction 0-2 (GPDIRn).</b> When set, enables the corresponding GPIO as output. When cleared the GPIO is enabled as an input. GPIO0 – bit 8 GPIO1 – bit 9 GPIO2 – bit 10	R/W	0000

Bits	Description	Type	Default
7:5	<b>Reserved</b>	RO	-
4:3	<b>GPO Data 3-4 (GPODn).</b> The value written is reflected on GPOn. GPO3 – bit 3 GPO4 – bit 4	R/W	00
2:0	<b>GPIO Data 0-2 (GPIODn).</b> When enabled as an output, the value written is reflected on GPIOn. When read, GPIOn reflects the current state of the corresponding GPIO pin. GPIO0 – bit 0 GPIO1 – bit 1 GPIO2 – bit 2	R/W	000

**TABLE 5-4: EEPROM ENABLE BIT DEFINITIONS**

[22]	[21]	[20]	EEDIO Function	EECLK Function
0	0	0	EEDIO	EECLK
0	0	1	GPO3	GPO4
0	1	0	Reserved	
0	1	1	GPO3	RX_DV
1	0	0	Reserved	
1	0	1	TX_EN	GPO4
1	1	0	TX_EN	RX_DV
1	1	1	TX_CLK	RX_CLK

### 5.3.15 GPT\_CFG-GENERAL PURPOSE TIMER CONFIGURATION REGISTER

Offset: 8Ch                      Size: 32 bits

This register configures the General Purpose timer. The GP Timer can be configured to generate host interrupts at intervals defined in this register.

Bits	Description	Type	Default
31-30	<b>Reserved</b>	RO	-
29	<b>GP Timer Enable (TIMER_EN).</b> When a one is written to this bit the GP Timer is put into the run state. When cleared, the GP Timer is halted. On the 1 to 0 transition of this bit the GPT_LOAD field will be preset to FFFFh.	R/W	0
28-16	<b>Reserved</b>	RO	-
15-0	<b>General Purpose Timer Pre-Load (GPT_LOAD).</b> This value is pre-loaded into the GP-Timer.	R/W	FFFFh

# LAN9116

## 5.3.16 GPT\_CNT-GENERAL PURPOSE TIMER CURRENT COUNT REGISTER

Offset: 90h Size: 32 bits

This register reflects the current value of the GP Timer.

Bits	Description	Type	Default
31-16	<b>Reserved</b>	RO	-
15-0	<b>General Purpose Timer Current Count (GPT_CNT).</b> This 16-bit field reflects the current value of the GP Timer.	RO	FFFFh

## 5.3.17 WORD\_SWAP—WORD SWAP CONTROL

Offset: 98h Size: 32 bits

This register controls how words from the host data bus are mapped to the CRSs and Data FIFOs inside the LAN9116. The LAN9116 always sends data from the Transmit Data FIFO to the network so that the low order word is sent first, and always receives data from the network to the Receive Data FIFO so that the low order word is received first.

Bits	Description	Type	Default
31:0	<b>Word Swap.</b> This field only has significance if the device is operated in 16-bit mode. In 32-bit mode, D[31:15] is always mapped to the high order word and D[15:0] is always mapped to the low order word. In 16-bit mode, if this field is set to 00000000h, or anything except FFFFFFFFh, the LAN9116 maps words with address bit A[1]=1 to the high order words of the CRSs and Data FIFOs, and words with address bit A[1]=0 to the low order words of the CRSs and Data FIFOs. If this field is set to FFFFFFFFh, the LAN9116 maps words with address bit A[1]=1 to the low order words of the CRSs and Data FIFOs, and words with address bit A[1]=0 to the high order words of the CRSs and Data FIFOs. <b>Note:</b> Please refer to <a href="#">Section 3.6, "32-bit vs. 16-bit Host Bus Width Operation"</a> for additional information.	R/W NASR	00000000h

## 5.3.18 FREE\_RUN—FREE-RUN 25MHZ COUNTER

Offset: 9Ch Size: 32 bits

This register reflects the value of the free-running 25MHz counter.

Bits	Description	Type	Default
31:0	<b>Free Running SCLK Counter (FR_CNT):</b> <b>Note:</b> This field reflects the value of a free-running 32-bit counter. At reset the counter starts at zero and is incremented for every 25MHz cycle. When the maximum count has been reached the counter will rollover. When read in 16-bit mode the count value is latched on the first read. <ul style="list-style-type: none"><li>• The FREE_RUN counter can take up to 160nS to clear after a reset event.</li><li>• This counter will run regardless of the power management states D0, D1 or D2.</li></ul>	RO	-

## 5.3.19 RX\_DROP– RECEIVER DROPPED FRAMES COUNTER

Offset: A0h                      Size: 32 bits

This register indicates the number of receive frames that have been dropped.

Bits	Description	Type	Default
31-0	<b>RX Dropped Frame Counter (RX_DFC).</b> This counter is incremented every time a receive frame is dropped. RX_DFC is cleared on any read of this register.  An interrupt can be issued when this counter passes through its halfway point (7FFFFFFh to 80000000h).	RC	00000000h

## 5.3.20 MAC\_CSR\_CMD – MAC CSR SYNCHRONIZER COMMAND REGISTER

Offset: A4h                      Size: 32 bits

This register is used to control the read and write operations with the MAC CSR's

Bits	Description	Type	Default
31	<b>CSR Busy.</b> When a 1 is written into this bit, the read or write operation is performed to the specified MAC CSR. This bit will remain set until the operation is complete. In the case of a read this means that the host can read valid data from the data register. The MAC_CSR_CMD and MAC_CSR_DATA registers should not be modified until this bit is cleared.	SC	0
30	<b>R/nW.</b> When set, this bit indicates that the host is requesting a read operation. When clear, the host is performing a write.	R/W	0
29-8	Reserved.	RO	-
7-0	<b>CSR Address.</b> The 8-bit value in this field selects which MAC CSR will be accessed with the read or write operation.	R/W	00h

## 5.3.21 MAC\_CSR\_DATA – MAC CSR SYNCHRONIZER DATA REGISTER

Offset: A8h                      Size: 32 bits

This register is used in conjunction with the MAC\_CSR\_CMD register to perform read and write operations with the MAC CSR's

Bits	Description	Type	Default
31-0	<b>MAC CSR Data.</b> Value read from or written to the MAC CSR's.	R/W	00000000h

# LAN9116

## 5.3.22 AFC\_CFG – AUTOMATIC FLOW CONTROL CONFIGURATION REGISTER

Offset: ACh Size: 32 bits

This register configures the mechanism that controls both the automatic, and software-initiated transmission of pause frames and back pressure.

**Note:** The LAN9116 will not transmit pause frames or assert back pressure if the transmitter is disabled.

Bits	Description	Type	Default
31:24	<b>Reserved</b>	RO	-
23:16	<b>Automatic Flow Control High Level (AFC_HI).</b> Specifies, in multiples of 64 bytes, the level at which flow control will trigger. When this limit is reached the chip will apply back pressure or will transmit a pause frame as programmed in bits [3:0] of this register.  During full-duplex operation only a single pause frame is transmitted when this level is reached. The pause time transmitted in this frame is programmed in the FCPT field of the FLOW register in the MAC CSR space.  During half-duplex operation each incoming frame that matches the criteria in bits [3:0] of this register will be jammed for the period set in the BACK_DUR field.	R/W	00h
15:8	<b>Automatic Flow Control Low Level (AFC_LO).</b> Specifies, in multiples of 64 bytes, the level at which a pause frame is transmitted with a pause time setting of zero. When the amount of data in the RX data FIFO falls below this level the pause frame is transmitted. A pause time value of zero instructs the other transmitting device to immediately resume transmission. The zero time pause frame will only be transmitted if the RX data FIFO had reached the AFC_HI level and a pause frame was sent. A zero pause time frame is sent whenever automatic flow control is enabled in bits [3:0] of this register.  <b>Note:</b> When automatic flow control is enabled the AFC_LO setting must always be less than the AFC_HI setting.	R/W	00h
7:4	<b>Backpressure Duration (BACK_DUR).</b> When the LAN9116 automatically asserts back pressure, it will be asserted for this period of time. This field has no function and is not used in full-duplex mode. Please refer to <a href="#">Table 5-5</a> , describing Backpressure Duration bit mapping for more information.	R/W	0h
3	<b>Flow Control on Multicast Frame (FCMULT).</b> When this bit is set, the LAN9116 will assert back pressure when the AFC level is reached and a multicast frame is received. This field has no function in full-duplex mode.	R/W	0
2	<b>Flow Control on Broadcast Frame (FCBRD).</b> When this bit is set, the LAN9116 will assert back pressure when the AFC level is reached and a broadcast frame is received. This field has no function in full-duplex mode.	R/W	0
1	<b>Flow Control on Address Decode (FCADD).</b> When this bit is set, the LAN9116 will assert back pressure when the AFC level is reached and a frame addressed to the LAN9116 is received. This field has no function in full-duplex mode.	R/W	0

Bits	Description	Type	Default
0	<p><b>Flow Control on Any Frame (FCANY).</b> When this bit is set, the LAN9116 will assert back pressure, or transmit a pause frame when the AFC level is reached and any frame is received. Setting this bit enables full-duplex flow control when the LAN9116 is operating in full-duplex mode.</p> <p>When this mode is enabled during half-duplex operation, the Flow Controller does not decode the MAC address and will send a pause frame upon receipt of a valid preamble (i.e., immediately at the beginning of the next frame after the RX data FIFO level is reached).</p> <p>When this mode is enabled during full-duplex operation, the Flow Controller will immediately instruct the MAC to send a pause frame when the RX data FIFO level is reached. The MAC will queue the pause frame transmission for the next available window.</p> <p>Setting this bit overrides bits [3:1] of this register.</p>	R/W	0

**TABLE 5-5: BACKPRESSURE DURATION BIT MAPPING**

[19:16]	Backpressure Duration	
	100Mbps Mode	10Mbps Mode
0h	5uS	7.2uS
1h	10uS	12.2uS
2h	15uS	17.2uS
3h	25uS	27.2uS
4h	50uS	52.2uS
5h	100uS	102.2uS
6h	150uS	152.2uS
7h	200uS	202.2uS
8h	250uS	252.2uS
9h	300uS	302.2uS
Ah	350uS	352.2uS
Bh	400uS	402.2uS
Ch	450uS	452.2uS
Dh	500uS	502.2uS
Eh	550uS	552.2uS
Fh	600uS	602.2uS

# LAN9116

---

---

## 5.3.23 E2P\_CMD – EEPROM COMMAND REGISTER

Offset: B0h                      Size: 32 bits

This register is used to control the read and write operations with the Serial EEPROM.

Bits	Description	Type	Default
31	<p><b>EPC Busy:</b> When a 1 is written into this bit, the operation specified in the EPC command field is performed at the specified EEPROM address. This bit will remain set until the operation is complete. In the case of a read this means that the host can read valid data from the E2P data register. The E2P_CMD and E2P_DATA registers should not be modified until this bit is cleared. In the case where a write is attempted and an EEPROM is not present, the EPC Busy remains busy until the EPC Time-out occurs. At that time the busy bit is cleared.</p> <p><b>Note:</b> EPC busy will be high immediately following power-up or reset. After the EEPROM controller has finished reading (or attempting to read) the MAC address from the EEPROM the EPC Busy bit is cleared.</p>	SC	0



Bits	Description	Type	Default																																				
30-28	<p><b>EPC command.</b> This field is used to issue commands to the EEPROM controller. The EPC will execute commands when the EPC Busy bit is set. A new command must not be issued until the previous command completes. This field is encoded as follows:</p> <table border="1"> <thead> <tr> <th>[30]</th> <th>[29]</th> <th>[28]</th> <th>OPERATION</th> </tr> </thead> <tbody> <tr> <td>0</td> <td>0</td> <td>0</td> <td>READ</td> </tr> <tr> <td>0</td> <td>0</td> <td>1</td> <td>EWDS</td> </tr> <tr> <td>0</td> <td>1</td> <td>0</td> <td>EWEN</td> </tr> <tr> <td>0</td> <td>1</td> <td>1</td> <td>WRITE</td> </tr> <tr> <td>1</td> <td>0</td> <td>0</td> <td>WRAL</td> </tr> <tr> <td>1</td> <td>0</td> <td>1</td> <td>ERASE</td> </tr> <tr> <td>1</td> <td>1</td> <td>0</td> <td>ERAL</td> </tr> <tr> <td>1</td> <td>1</td> <td>1</td> <td>Reload</td> </tr> </tbody> </table> <p><b>READ (Read Location):</b> This command will cause a read of the EEPROM location pointed to by EPC Address. The result of the read is available in the E2P_DATA register.</p> <p><b>EWDS (Erase/Write Disable):</b> After issued, the EEPROM will ignore erase and write commands. To re-enable erase/write operations issue the EWEN command.</p> <p><b>EWEN (Erase/Write Enable):</b> Enables the EEPROM for erase and write operations. The EEPROM will allow erase and write operations until the Erase/Write Disable command is sent, or until power is cycled.</p> <p><b>Note:</b> The EEPROM device will power-up in the erase/write-disabled state. Any erase or write operations will fail until an Erase/Write Enable command is issued.</p> <p><b>WRITE (Write Location):</b> If erase/write operations are enabled in the EEPROM, this command will cause the contents of the E2P_DATA register to be written to the EEPROM location selected by the EPC Address field.</p> <p><b>WRAL (Write All):</b> If erase/write operations are enabled in the EEPROM, this command will cause the contents of the E2P_DATA register to be written to every EEPROM memory location.</p> <p><b>ERASE (Erase Location):</b> If erase/write operations are enabled in the EEPROM, this command will erase the location selected by the EPC Address field.</p> <p><b>ERAL (Erase All):</b> If erase/write operations are enabled in the EEPROM, this command will initiate a bulk erase of the entire EEPROM.</p> <p><b>RELOAD (MAC Address Reload):</b> Instructs the EEPROM controller to reload the MAC address from the EEPROM. If a value of 0xA5 is not found in the first address of the EEPROM, the EEPROM is assumed to be un-programmed and MAC Address Reload operation will fail. The "MAC Address Loaded" bit indicates a successful load of the MAC address.</p>	[30]	[29]	[28]	OPERATION	0	0	0	READ	0	0	1	EWDS	0	1	0	EWEN	0	1	1	WRITE	1	0	0	WRAL	1	0	1	ERASE	1	1	0	ERAL	1	1	1	Reload	R/W	0
[30]	[29]	[28]	OPERATION																																				
0	0	0	READ																																				
0	0	1	EWDS																																				
0	1	0	EWEN																																				
0	1	1	WRITE																																				
1	0	0	WRAL																																				
1	0	1	ERASE																																				
1	1	0	ERAL																																				
1	1	1	Reload																																				
27-10	<b>Reserved.</b>	RO	-																																				

# LAN9116

Bits	Description	Type	Default
9	<b>EPC Time-out.</b> If an EEPROM operation is performed, and there is no response from the EEPROM within 30mS, the EEPROM controller will time-out and return to its idle state. This bit is set when a time-out occurs indicating that the last operation was unsuccessful. <b>Note:</b> If the EEDIO signal pin is externally pulled-high, EPC commands will not time out if the EEPROM device is missing. In this case the EPC Busy bit will be cleared as soon as the command sequence is complete. It should also be noted that the ERASE, ERAL, WRITE and WRAL commands are the only EPC commands that will time-out if an EEPROM device is not present <i>-and-</i> the EEDIO signal is pulled low	R/WC	0
8	<b>MAC Address Loaded.</b> When set, this bit indicates that a valid EEPROM was found, and that the MAC address programming has completed normally. This bit is set after a successful load of the MAC address after power-up, or after a RELOAD command has completed	RO	-
7-0	<b>EPC Address.</b> The 8-bit value in this field is used by the EEPROM Controller to address the specific memory location in the Serial EEPROM. This is a Byte aligned address.	R/W	00h

## 5.3.24 E2P\_DATA – EEPROM DATA REGISTER

Offset: B4h Size: 32 bits

This register is used in conjunction with the E2P\_CMD register to perform read and write operations with the Serial EEPROM

Bits	Description	Type	Default
31-8	<b>Reserved.</b>	RO	-
7:0	<b>EEPROM Data.</b> Value read from or written to the EEPROM.	R/W	00h

## 5.4 MAC Control and Status Registers

These registers are located in the MAC module and are accessed indirectly through the MAC-CSR synchronizer port. [Table 5-6, "LAN9116 MAC CSR Register Map"](#), shown below, lists the MAC registers that are accessible through the indexing method using the MAC\_CSR\_CMD and MAC\_CSR\_DATA registers (see sections MAC\_CSR\_CMD – MAC CSR Synchronizer Command Register and MAC\_CSR\_DATA – MAC CSR Synchronizer Data Register).

**TABLE 5-6: LAN9116 MAC CSR REGISTER MAP**

MAC Control and Status Registers			
Index	Symbol	Register Name	Default
1	MAC_CR	MAC Control Register	00040000h
2	ADDRH	MAC Address High	0000FFFFh
3	ADDRL	MAC Address Low	FFFFFFFFh
4	HASHH	Multicast Hash Table High	00000000h
5	HASHL	Multicast Hash Table Low	00000000h
6	MII_ACC	MII Access	00000000h
7	MII_DATA	MII Data	00000000h
8	FLOW	Flow Control	00000000h

**TABLE 5-6: LAN9116 MAC CSR REGISTER MAP (CONTINUED)**

MAC Control and Status Registers			
Index	Symbol	Register Name	Default
9	VLAN1	VLAN1 Tag	00000000h
A	VLAN2	VLAN2 Tag	00000000h
B	WUFF	Wake-up Frame Filter	00000000h
C	WUCSR	Wake-up Control and Status	00000000h

## 5.4.1 MAC\_CR—MAC CONTROL REGISTER

Offset:	1	Attribute:	R/W
Default Value:	00040000h	Size:	32 bits

This register establishes the RX and TX operation modes and controls for address filtering and packet filtering.

Bits	Description
31	<b>Receive All Mode (RXALL).</b> When set, all incoming packets will be received and passed on to the address filtering Function for processing of the selected filtering mode on the received frame. Address filtering then occurs and is reported in Receive Status. When reset, only frames that pass Destination Address filtering will be sent to the Application.
30-24	<b>Reserved</b>
23	<b>Disable Receive Own (RCVOWN).</b> When set, the MAC disables the reception of frames when the MII TX_EN signal is asserted. The MAC blocks the transmitted frame on the receive path. When reset, the MAC receives all packets the PHY gives, including those transmitted by the MAC. This bit should be reset when the Full Duplex Mode bit is set.
22	<b>Reserved</b>
21	<b>Loopback operation Mode (LOOPBK).</b> Selects the loop back operation modes for the MAC. This is only for full duplex mode 1'b0: Normal: No feedback 1'b1: Internal: Through MII In internal loopback mode, the TX frame is received by the Internal MII interface, and sent back to the MAC without being sent to the PHY. <b>Note:</b> When enabling or disabling the loopback mode it can take up to 10μs for the mode change to occur. The transmitter and receiver must be stopped and disabled when modifying the LOOPBK bit. The transmitter or receiver should not be enabled within 10μs of modifying the LOOPBK bit.
20	<b>Full Duplex Mode (FDPX).</b> When set, the MAC operates in Full-Duplex mode, in which it can transmit and receive simultaneously. In Full-Duplex mode, the heartbeat check is disabled and the heartbeat fail status should thus be ignored.
19	<b>Pass All Multicast (MCPAS).</b> When set, indicates that all incoming frames with a Multicast destination address (first bit in the destination address field is 1) are received. Incoming frames with physical address (Individual Address/Unicast) destinations are filtered and received only if the address matches the MAC Address.
18	<b>Promiscuous Mode (PRMS).</b> When set, indicates that any incoming frame is received regardless of its destination address.
17	<b>Inverse filtering (INVFLT).</b> When set, the address check Function operates in Inverse filtering mode. This is valid only during Perfect filtering mode.
16	<b>Pass Bad Frames (PASSBAD).</b> When set, all incoming frames that passed address filtering are received, including runt frames and collided frames.
15	<b>Hash Only Filtering mode (HO).</b> When set, the address check Function operates in the Imperfect Address Filtering mode both for physical and multicast addresses

# LAN9116

Bits	Description										
14	<b>Reserved</b>										
13	<p><b>Hash/Perfect Filtering Mode (HPFILT).</b> When reset (0), the LAN9116 will implement a perfect address filter on incoming frames according to the address specified in the MAC address register.</p> <p>When set (1), the address check Function does imperfect address filtering of multicast incoming frames according to the hash table specified in the multicast hash table register.</p> <p>If the Hash Only Filtering mode (HO) bit is set (1), then the physical (IA) are imperfect filtered too. If the Hash Only Filtering mode (HO) bit is reset (0), then the IA addresses are perfect address filtered according to the MAC Address register</p>										
12	<p><b>Late Collision Control (LCOLL).</b> When set, enables retransmission of the collided frame even after the collision period (late collision). When reset, the MAC disables frame transmission on a late collision. In any case, the Late Collision status is appropriately updated in the Transmit Packet status.</p>										
11	<p><b>Disable Broadcast Frames (BCAST).</b> When set, disables the reception of broadcast frames. When reset, forwards all broadcast frames to the application.</p> <p><b>Note:</b> When wake-up frame detection is enabled via the WUEN bit of the <a href="#">WUCSR—Wake-up Control and Status Register</a>, a broadcast wake-up frame will wake-up the device despite the state of this bit.</p>										
10	<p><b>Disable Retry (DISRTY).</b> When set, the MAC attempts only one transmission. When a collision is seen on the bus, the MAC ignores the current frame and goes to the next frame and a retry error is reported in the Transmit status. When reset, the MAC attempts 16 transmissions before signaling a retry error.</p>										
9	<b>Reserved</b>										
8	<p><b>Automatic Pad Stripping (PADSTR).</b> When set, the MAC strips the pad field on all incoming frames, if the length field is less than 46 bytes. The FCS field is also stripped, since it is computed at the transmitting station based on the data and pad field characters, and is invalid for a received frame that has had the pad characters stripped. Receive frames with a 46-byte or greater length field are passed to the Application unmodified (FCS is not stripped). When reset, the MAC passes all incoming frames to the host unmodified.</p>										
7-6	<p><b>BackOff Limit (BOLMT).</b> The BOLMT bits allow the user to set its back-off limit in a relaxed or aggressive mode. According to IEEE 802.3, the MAC has to wait for a random number [r] of slot-times** after it detects a collision, where:</p> $(eq.1) 0 < r < 2^K$ <p>The exponent K is dependent on how many times the current frame to be transmitted has been retried, as follows:</p> $(eq.2) K = \min(n, 10) \text{ where } n \text{ is the current number of retries.}$ <p>If a frame has been retried three times, then K = 3 and r = 8 slot-times maximum. If it has been retried 12 times, then K = 10, and r = 1024 slot-times maximum.</p> <p>An LFSR (linear feedback shift register) 20-bit counter emulates a 20bit random number generator, from which r is obtained. Once a collision is detected, the number of the current retry of the current frame is used to obtain K (eq.2). This value of K translates into the number of bits to use from the LFSR counter. If the value of K is 3, the MAC takes the value in the first three bits of the LFSR counter and uses it to count down to zero on every slot-time. This effectively causes the MAC to wait eight slot-times. To give the user more flexibility, the BOLMT value forces the number of bits to be used from the LFSR counter to a predetermined value as in the table below.</p> <table border="1" data-bbox="495 1465 1200 1677"> <thead> <tr> <th>BOLMT Value</th> <th># Bits Used from LFSR Counter</th> </tr> </thead> <tbody> <tr> <td>2'b00</td> <td>10</td> </tr> <tr> <td>2'b01</td> <td>8</td> </tr> <tr> <td>2'b10</td> <td>4</td> </tr> <tr> <td>2'b11</td> <td>1</td> </tr> </tbody> </table> <p>Thus, if the value of K = 10, the MAC will look at the BOLMT if it is 00, then use the lower ten bits of the LFSR counter for the wait countdown. If the BOLMT is 10, then it will only use the value in the first four bits for the wait countdown, etc.</p> <p>**Slot-time = 512 bit times. (See IEEE 802.3 Spec., Secs. 4.2.3.25 and 4.4.2.1)</p>	BOLMT Value	# Bits Used from LFSR Counter	2'b00	10	2'b01	8	2'b10	4	2'b11	1
BOLMT Value	# Bits Used from LFSR Counter										
2'b00	10										
2'b01	8										
2'b10	4										
2'b11	1										

Bits	Description
5	<b>Deferral Check (DFCHK).</b> When set, enables the deferral check in the MAC. The MAC will abort the transmission attempt if it has deferred for more than 24,288 bit times. Deferral starts when the transmitter is ready to transmit, but is prevented from doing so because the CRS is active. Defer time is not cumulative. If the transmitter defers for 10,000 bit times, then transmits, collides, backs off, and then has to defer again after completion of back-off, the deferral timer resets to 0 and restarts. When reset, the deferral check is disabled in the MAC and the MAC defers indefinitely.
4	<b>Reserved</b>
3	<b>Transmitter enable (TXEN).</b> When set, the MAC's transmitter is enabled and it will transmit frames from the buffer onto the cable. When reset, the MAC's transmitter is disabled and will not transmit any frames.
2	<b>Receiver Enable (RXEN).</b> When set (1), the MAC's receiver is enabled and will receive frames from the internal PHY. When reset, the MAC's receiver is disabled and will not receive any frames from the internal PHY.
1-0	<b>Reserved</b>

#### 5.4.2 ADDRH—MAC ADDRESS HIGH REGISTER

Offset:	2	Attribute:	R/W
Default Value:	0000FFFFh	Size:	32 bits

The MAC Address High register contains the upper 16-bits of the physical address of the MAC. The contents of this register are optionally loaded from the EEPROM at power-on through the EEPROM Controller if a programmed EEPROM is detected. The least significant byte of this register (bits [7:0]) is loaded from address 0x05 of the EEPROM. The second byte (bits [15:8]) is loaded from address 0x06 of the EEPROM. Please refer to [Section 4.6](#) for more information on the EEPROM. [Section 5.4.3](#) details the byte ordering of the ADDRL and ADDRH registers with respect to the reception of the Ethernet physical address.

Bits	Description
31-16	<b>Reserved</b>
15-0	<b>Physical Address [47:32].</b> This field contains the upper 16-bits (47:32) of the Physical Address of the LAN9116 device. The content of this field is undefined until loaded from the EEPROM at power-on. The host can update the contents of this field after the initialization process has completed.

#### 5.4.3 ADDRL—MAC ADDRESS LOW REGISTER

Offset:	3	Attribute:	R/W
Default Value:	FFFFFFFFh	Size:	32 bits

The MAC Address Low register contains the lower 32 bits of the physical address of the MAC. The contents of this register are optionally loaded from the EEPROM at power-on through the EEPROM Controller if a programmed EEPROM is detected. The least significant byte of this register (bits [7:0]) is loaded from address 0x01 of the EEPROM. The most significant byte of this register is loaded from address 0x04 of the EEPROM. Please refer to [Section 4.6](#) for more information on the EEPROM.

Bits	Description
31-0	<b>Physical Address [31:0].</b> This field contains the lower 32 bits (31:0) of the Physical Address of the LAN9116 device. The content of this field is undefined until loaded from the EEPROM at power-on. The host can update the contents of this field after the initialization process has completed.

# LAN9116

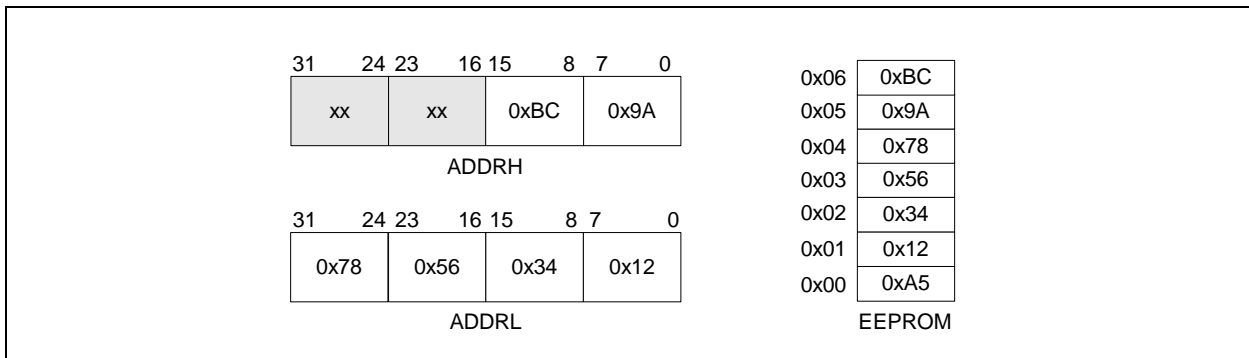
Table 5-7 below illustrates the byte ordering of the ADDRL and ADDRH registers with respect to the reception of the Ethernet physical address. Also shown is the correlation between the EEPROM addresses and ADDRL and ADDRH registers.

**TABLE 5-7: ADDRL, ADDRH AND EEPROM BYTE ORDERING**

EEPROM ADDRESS	ADDRN	ORDER OF RECEPTION ON ETHERNET
0x01	ADDRL[7:0]	1 <sup>st</sup>
0x02	ADDRL[15:8]	2 <sup>nd</sup>
0x03	ADDRL[23:16]	3 <sup>rd</sup>
0x04	ADDRL[31:24]	4 <sup>th</sup>
0x05	ADDRH[7:0]	5 <sup>th</sup>
0x06	ADDRH[15:8]	6 <sup>th</sup>

As an example, if the desired Ethernet physical address is 12-34-56-78-9A-BC, the ADDRL and ADDRH registers would be programmed as shown in Figure 5-2. The values required to automatically load this configuration from the EEPROM are also shown.

**FIGURE 5-2: EXAMPLE ADDRL, ADDRH AND EEPROM SETUP**



**Note:** By convention, the left most byte of the Ethernet address (in this example 0x12) is the most significant byte and is transmitted/received first.

## 5.4.4 HASHH—MULTICAST HASH TABLE HIGH REGISTER

Offset: 4 Attribute: R/W  
 Default Value: 00000000h Size: 32 bits

The 64-bit Multicast table is used for group address filtering. For hash filtering, the contents of the destination address in the incoming frame is used to index the contents of the Hash table. The most significant bit determines the register to be used (Hi/Low), while the other five bits determine the bit within the register. A value of 00000 selects Bit 0 of the Multicast Hash Table Lo register and a value of 11111 selects the Bit 31 of the Multicast Hash Table Hi register.

If the corresponding bit is 1, then the multicast frame is accepted. Otherwise, it is rejected. If the "Pass All Multicast" (MCPAS) bit is set (1), then all multicast frames are accepted regardless of the multicast hash values.

The Multicast Hash Table Hi register contains the higher 32 bits of the hash table and the Multicast Hash Table Low register contains the lower 32 bits of the hash table.

Bits	Description
31-0	Upper 32 bits of the 64-bit Hash Table

## 5.4.5 HASHL—MULTICAST HASH TABLE LOW REGISTER

Offset:	5	Attribute:	R/W
Default Value:	00000000h	Size:	32 bits

This register defines the lower 32-bits of the Multicast Hash Table. Please refer to [Table 5.4.4, "HASHH—Multicast Hash Table High Register"](#) for further details.

Bits	Description
31-0	<b>Lower 32 bits of the 64-bit Hash Table</b>

## 5.4.6 MII\_ACC—MII ACCESS REGISTER

Offset:	6	Attribute:	R/W
Default Value:	00000000h	Size:	32 bits

This register is used to control the Management cycles to the PHY.

Bits	Description
31-16	<b>Reserved</b>
15-11	<b>PHY Address:</b> For every access to this register, this field must be set to 00001b.
10-6	<b>MII Register Index (MIIRINDA):</b> These bits select the desired MII register in the PHY.
5-2	<b>Reserved</b>
1	<b>MII Write (MIIWnR):</b> Setting this bit tells the PHY that this will be a write operation using the MII data register. If this bit is not set, this will be a read operation, packing the data in the MII data register.
0	<b>MII Busy (MIIBZY):</b> This bit must be polled to determine when the MII register access is complete. This bit must read a logical 0 before writing to this register and MII data register. The LAN driver software must set (1) this bit in order for the LAN9116 to read or write any of the MII PHY registers.  During a MII register access, this bit will be set, signifying a read or write access is in progress. The MII data register must be kept valid until the MAC clears this bit during a PHY write operation. The MII data register is invalid until the MAC has cleared this bit during a PHY read operation.

# LAN9116

## 5.4.7 MII\_DATA—MII DATA REGISTER

Offset:	7	Attribute:	R/W
Default Value:	00000000h	Size:	32 bits

This register contains either the data to be written to the PHY register specified in the MII Access Register, or the read data from the PHY register whose index is specified in the MII Access Register.

Bits	Description
31-16	<b>Reserved</b>
15-0	<b>MII Data.</b> This contains the 16-bit value read from the PHY read operation or the 16-bit data value to be written to the PHY before an MII write operation.

## 5.4.8 FLOW—FLOW CONTROL REGISTER

Offset:	8	Attribute:	R/W
Default Value:	00000000h	Size:	32 bits

This register controls the generation and reception of the Control (Pause command) frames by the MAC's flow control block. The control frame fields are selected as specified in the 802.3x Specification and the Pause-Time value from this register is used in the "Pause Time" field of the control frame. In full-duplex mode the FCBSY bit is set until the control frame is transferred onto the cable. In half-duplex mode FCBSY is set while back pressure is being asserted. The host has to make sure that the Busy bit is cleared before writing the register. The Pass Control Frame bit (FCPASS) does not affect the sending of the frames, including Control Frames, to the Application Interface. The Flow Control Enable (FCEN) bit enables the receive portion of the Flow Control block.

This register is used in conjunction with the AFC\_CFG register in the Slave CSRs to configure flow control. Software flow control is initiated using the AFC\_CFG register.

**Note:** The LAN9116 will not transmit pause frames or assert back pressure if the transmitter is disabled.

Bits	Description
31-16	<b>Pause Time (FCPT).</b> This field indicates the value to be used in the PAUSE TIME field in the control frame. This field must be initialized before full-duplex automatic flow control is enabled.
15-3	<b>Reserved</b>
2	<b>Pass Control Frames (FCPASS).</b> When set, the MAC sets the Packet Filter bit in the Receive packet status to indicate to the Application that a valid Pause frame has been received. The Application must accept or discard a received frame based on the Packet Filter control bit. The MAC receives, decodes and performs the Pause function when a valid Pause frame is received in Full-Duplex mode and when flow control is enabled (FCE bit set). When reset, the MAC resets the Packet Filter bit in the Receive packet status. The MAC always passes the data of all frames it receives (including Flow Control frames) to the Application. Frames that do not pass Address filtering, as well as frames with errors, are passed to the Application. The Application must discard or retain the received frame's data based on the received frame's STATUS field. Filtering modes (Promiscuous mode, for example) take precedence over the FCPASS bit.
1	<b>Flow Control Enable (FCEN).</b> When set, enables the MAC Flow Control function. The MAC decodes all incoming frames for control frames; if it receives a valid control frame (PAUSE command), it disables the transmitter for a specified time (Decoded pause time x slot time). When reset, the MAC flow control function is disabled; the MAC does not decode frames for control frames. <b>Note:</b> Flow Control is applicable when the MAC is set in Full Duplex Mode. In Half-Duplex mode, this bit enables the Backpressure function to control the flow of received frames to the MAC.



Bits	Description
0	<p>Flow Control Busy (FCBSY). This bit is set high whenever a pause frame or back pressure is being transmitted. This bit should read logical 0 before writing to the Flow Control (FLOW) register. During a transfer of Control Frame, this bit continues to be set, signifying that a frame transmission is in progress. After the PAUSE control frame's transmission is complete, the MAC resets to 0.</p> <p><b>Note:</b></p> <ul style="list-style-type: none"> <li>• When writing this register the FCBSY bit must always be zero.</li> <li>• Applications must always write a zero to this bit</li> </ul>

## 5.4.9 VLAN1—VLAN1 TAG REGISTER

Offset:	9	Attribute:	R/W
Default Value:	00000000h	Size:	32 bits

This register contains the VLAN tag field to identify VLAN1 frames. For VLAN frames the legal frame length is increased from 1518 bytes to 1522 bytes.

Bits	Description
31-16	<b>Reserved</b>
15-0	<b>VLAN1 Tag Identifier (VTI1).</b> This contains the VLAN Tag field to identify the VLAN1 frames. This field is compared with the 13th and 14th bytes of the incoming frames for VLAN1 frame detection. If used, this register must be set to 0x8100.

## 5.4.10 VLAN2—VLAN2 TAG REGISTER

Offset:	A	Attribute:	R/W
Default Value:	00000000h	Size:	32 bits

This register contains the VLAN tag field to identify VLAN2 frames. For VLAN frames the legal frame length is increased from 1518 bytes to 1522 bytes.

Bits	Description
31-16	<b>Reserved</b>
15-0	<b>VLAN2 Tag Identifier (VTI2).</b> This contains the VLAN Tag field to identify the VLAN2 frames. This field is compared with the 13th and 14th bytes of the incoming frames for VLAN2 frame detection. If used, this register must be set to 0x8100.

# LAN9116

## 5.4.11 WUFF—WAKE-UP FRAME FILTER

Offset:	B	Attribute:	WO
Default Value:	00000000h	Size:	32 bits

This register is used to configure the wake up frame filter.

Bits	Description
31-0	<b>Wake-Up Frame Filter (WFF).</b> Wake-Up Frame Filter (WFF). The Wake-up frame filter is configured through this register using an indexing mechanism. After power-on reset, hardware reset, or soft reset, the MAC loads the first value written to this location to the first DWORD in the Wake-up frame filter (filter 0 byte mask). The second value written to this location is loaded to the second DWORD in the wake-up frame filter (filter 1 byte mask) and so on. Once all eight DWORDs have been written, the internal pointer will once again point to the first entry and the filter entries can be modified in the same manner. <b>Note:</b> This is a write-only register.

## 5.4.12 WUCSR—WAKE-UP CONTROL AND STATUS REGISTER

Offset:	C	Attribute:	R/W
Default Value:	00000000h	Size:	32 bits

This register contains data pertaining to the MAC's remote wake-up status and capabilities.

Bits	Description
31-10	<b>Reserved</b>
9	<b>Global Unicast Enable (GUE).</b> When set, the MAC wakes up from power-saving mode on receipt of a global unicast frame. A global unicast frame has the MAC Address [0] bit set to 0.
8-7	<b>Reserved</b>
6	<b>Remote Wake-Up Frame Received (WUFR).</b> The MAC, upon receiving a valid Remote Wake-up frame, sets this bit.
5	<b>Magic Packet Received (MPR).</b> The MAC, upon receiving a valid Magic Packet, sets this bit.
4-3	<b>Reserved</b>
2	<b>Wake-Up Frame enabled (WUEN).</b> When set, Remote Wake-Up mode is enabled and the MAC is capable of detecting wake-up frames as programmed in the wake-up frame filter.
1	<b>Magic Packet Enable (MPEN).</b> When set, Magic Packet Wake-up mode is enabled.
0	<b>Reserved</b>

## 5.5 PHY Registers

The PHY registers are not memory mapped. These registers are accessed indirectly through the MAC via the MII\_ACC and MII\_DATA registers. An index must be used to access individual PHY registers. PHY Register Indexes are shown in [Table 5-8, "LAN9116 PHY Control and Status Register"](#) below.

**Note:** The NASR (**Not Affected by Software Reset**) designation is only applicable when bit 15 of the PHY Basic Control Register (Reset) is set.

**TABLE 5-8: LAN9116 PHY CONTROL AND STATUS REGISTER**

PHY Control and Status Registers	
Index (In Decimal)	Register Name
0	Basic Control Register
1	Basic Status Register
2	PHY Identifier 1
3	PHY Identifier 2
4	Auto-Negotiation Advertisement Register
5	Auto-Negotiation Link Partner Ability Register
6	Auto-Negotiation Expansion Register
17	Mode Control/Status Register
18	Special Modes Register
27	Special Control/Status Indications
29	Interrupt Source Register
30	Interrupt Mask Register
31	PHY Special Control/Status Register

### 5.5.1 BASIC CONTROL REGISTER

Index (In Decimal):      0                              Size:                              16-bits

Bits	Description	Type	Default
15	<b>Reset.</b> 1 = software reset. Bit is self-clearing. For best results, when setting this bit do not set other bits in this register.	RW/SC	0
14	<b>Loopback.</b> 1 = loopback mode, 0 = normal operation	RW	0
13	<b>Speed Select.</b> 1 = 100Mbps, 0 = 10Mbps. Ignored if Auto Negotiation is enabled (0.12 = 1).	RW	See <a href="#">Note 5-1</a>
12	<b>Auto-Negotiation Enable.</b> 1 = enable auto-negotiate process (overrides 0.13 and 0.8) 0 = disable auto-negotiate process.	RW	See <a href="#">Note 5-1</a>
11	<b>Power Down.</b> 1 = General power down-mode, 0 = normal operation. <b>Note:</b> After this bit is cleared, the PHY may auto-negotiate with it's partner station. This process may take a few seconds to complete. Once auto-negotiation is complete, bit 5 of the PHY's Basic Status Register will be set.	RW	0
10	<b>Reserved</b>	RO	0
9	<b>Restart Auto-Negotiate.</b> 1 = restart auto-negotiate process 0 = normal operation. Bit is self-clearing.	RW/SC	0

# LAN9116

Bits	Description	Type	Default
8	<b>Duplex Mode.</b> 1 = full duplex, 0 = half duplex. Ignored if Auto Negotiation is enabled (0.12 = 1).	RW	0
7	<b>Collision Test.</b> 1 = enable COL test, 0 = disable COL test	RW	0
6-0	<b>Reserved</b>	RO	0

**Note 5-1** This default value of this bit is determined by Pin 74 "SPEED\_SEL". Please refer to the pin description section for more details

## 5.5.2 BASIC STATUS REGISTER

Index (In Decimal): 1 Size: 16-bits

Bits	Description	Type	Default
15	<b>100Base-T4.</b> 1 = T4 able, 0 = no T4 ability	RO	0
14	<b>100Base-TX Full Duplex.</b> 1 = TX with full duplex, 0 = no TX full duplex ability.	RO	1
13	<b>100Base-TX Half Duplex.</b> 1 = TX with half duplex, 0 = no TX half duplex ability.	RO	1
12	<b>10Base-T Full Duplex.</b> 1 = 10Mbps with full duplex 0 = no 10Mbps with full duplex ability	RO	1
11	<b>10Base-T Half Duplex.</b> 1 = 10Mbps with half duplex 0 = no 10Mbps with half duplex ability	RO	1
10-6	<b>Reserved</b>	RO	0
5	<b>Auto-Negotiate Complete.</b> 1 = auto-negotiate process completed 0 = auto-negotiate process not completed	RO	0
4	<b>Remote Fault.</b> 1 = remote fault condition detected 0 = no remote fault	RO/LH	0
3	<b>Auto-Negotiate Ability.</b> 1 = able to perform auto-negotiation function 0 = unable to perform auto-negotiation function	RO	1
2	<b>Link Status.</b> 1 = link is up, 0 = link is down	RO/LL	0
1	<b>Jabber Detect.</b> 1 = jabber condition detected 0 = no jabber condition detected	RO/LH	0
0	<b>Extended Capabilities.</b> 1 = supports extended capabilities registers 0 = does not support extended capabilities registers.	RO	1

## 5.5.3 PHY IDENTIFIER 1

Index (In Decimal): 2 Size: 16-bits

Bits	Description	Type	Default
15-0	<b>PHY ID Number.</b> Assigned to the 3rd through 18th bits of the Organizationally Unique Identifier (OUI), respectively.	RO	0x0007h

## 5.5.4 PHY IDENTIFIER 2

Index (In Decimal): 3                      Size: 16-bits

Bits	Description	Type	Default
15-10	<b>PHY ID Number b.</b> Assigned to the 19th through 24th bits of the OUI.	RO	0xC0D1h
9 - 4	<b>Model Number.</b> Six-bit manufacturer's model number.	RO	
3 - 0	<b>Revision Number.</b> Four-bit manufacturer's revision number.	RO	

## 5.5.5 AUTO-NEGOTIATION ADVERTISEMENT

Index (In Decimal): 4                      Size: 16-bits

Bits	Description	Type	Default
15-14	<b>Reserved</b>	RO	00
13	<b>Remote Fault.</b> 1 = remote fault detected, 0 = no remote fault	R/W	0
12	<b>Reserved</b>	R/W	0
11-10	<b>Pause Operation.</b> (See <a href="#">Note 5-2</a> ) 00 No PAUSE 01 Symmetric PAUSE 10 Asymmetric PAUSE 11 Advertise support for both Symmetric PAUSE and Asymmetric PAUSE	R/W	00
9	<b>Reserved</b>	RO	0
8	<b>100Base-TX Full Duplex.</b> 1 = TX with full duplex, 0 = no TX full duplex ability	R/W	See <a href="#">Note 5-3</a>
7	<b>100Base-TX.</b> 1 = TX able, 0 = no TX ability	R/W	1
6	<b>10Base-T Full Duplex.</b> 1 = 10Mbps with full duplex 0 = no 10Mbps with full duplex ability	R/W	See <a href="#">Note 5-3</a>
5	<b>10Base-T.</b> 1 = 10Mbps able, 0 = no 10Mbps ability	R/W	See <a href="#">Note 5-3</a>
4:0	<b>Selector Field.</b> [00001] = IEEE 802.3	R/W	00001

**Note 5-2** When both symmetric PAUSE and asymmetric PAUSE support are advertised (value of 11), the device will only be configured to, at most, one of the two settings upon auto-negotiation completion.

**Note 5-3** This default value of this bit is determined by Pin 74 "SPEED\_SEL". Please refer to the pin description section for more details.

# LAN9116

## 5.5.6 AUTO-NEGOTIATION LINK PARTNER ABILITY

Index (In Decimal): 5 Size: 16-bits

Bits	Description	Type	Default
15	<b>Next Page.</b> 1 = next page capable, 0 = no next page ability. This device does not support next page ability.	RO	0
14	<b>Acknowledge.</b> 1 = link code word received from partner 0 = link code word not yet received <b>Note:</b> This bit will always read 0	RO	0
13	<b>Remote Fault.</b> 1 = remote fault detected, 0 = no remote fault	RO	0
12	<b>Reserved</b>	RO	0
11-10	<b>Pause Operation.</b> 00 No PAUSE supported by partner station 01 Symmetric PAUSE supported by partner station 10 Asymmetric PAUSE supported by partner station 11 Both Symmetric PAUSE and Asymmetric PAUSE supported by partner station	RO	00
9	<b>100Base-T4.</b> 1 = T4 able, 0 = no T4 ability	RO	0
8	<b>100Base-TX Full Duplex.</b> 1 = TX with full duplex, 0 = no TX full duplex ability	RO	0
7	<b>100Base-TX.</b> 1 = TX able, 0 = no TX ability	RO	0
6	<b>10Base-T Full Duplex.</b> 1 = 10Mbps with full duplex 0 = no 10Mbps with full duplex ability	RO	0
5	<b>10Base-T.</b> 1 = 10Mbps able, 0 = no 10Mbps ability	RO	0
4:0	<b>Selector Field.</b> [00001] = IEEE 802.3	RO	00001

## 5.5.7 AUTO-NEGOTIATION EXPANSION

Index (In Decimal): 6 Size: 16-bits

Bits	Description	Type	Default
15:5	<b>Reserved</b>	RO	0
4	<b>Parallel Detection Fault.</b> 1 = fault detected by parallel detection logic 0 = no fault detected by parallel detection logic	RO/LH	0
3	<b>Link Partner Next Page Able.</b> 1 = link partner has next page ability 0 = link partner does not have next page ability	RO	0
2	<b>Next Page Able.</b> 1 = local device has next page ability 0 = local device does not have next page ability	RO	0

Bits	Description	Type	Default
1	<b>Page Received.</b> 1 = new page received 0 = new page not yet received	RO/LH	0
0	<b>Link Partner Auto-Negotiation Able.</b> 1 = link partner has auto-negotiation ability 0 = link partner does not have auto-negotiation ability	RO	0

## 5.5.8 MODE CONTROL/STATUS

Index (In Decimal): 17                      Size: 16-bits

Bits	Description	Type	Default
15-14	<b>Reserved.</b> Write as 0; ignore on read.	RW	0
13	<b>EDPWRDOWN.</b> Enable the Energy Detect Power-Down mode: 0=Energy Detect Power-Down is disabled 1=Energy Detect Power-Down is enabled	RW	0
12-2	<b>Reserved.</b> Write as 0, ignore on read	RW	0
1	<b>ENERGYON.</b> Indicates whether energy is detected This bit goes to a "0" if no valid energy is detected within 256ms. Reset to "1" by hardware reset, unaffected by SW reset.	RO	1
0	<b>Reserved.</b> Write as "0". Ignore on read.	RW	0

## 5.5.9 SPECIAL MODES

Index (In Decimal): 18                      Size: 16-bits

Address	Description	Type	Default
15-8	<b>Reserved</b>	RW, NASR	
7:5	<b>MODE:</b> PHY Mode of operation. Refer to <a href="#">Table 5-9</a> for more details.	RW, NASR	See <a href="#">Table 5-9</a>
4:0	<b>PHYAD: PHY Address:</b> The PHY Address is used for the SMI address.	RW, NASR	00001b

**TABLE 5-9: MODE CONTROL**

Mode	Mode Definitions	Default Register Bit Values	
		Register 0	Register 4
		[13,12,10,8]	[8,7,6,5]
000	10Base-T Half Duplex. Auto-negotiation disabled.	0000	N/A
001	10Base-T Full Duplex. Auto-negotiation disabled.	0001	N/A
010	100Base-TX Half Duplex. Auto-negotiation disabled. CRS is active during Transmit & Receive.	1000	N/A
011	100Base-TX Full Duplex. Auto-negotiation disabled. CRS is active during Receive.	1001	N/A

# LAN9116

**TABLE 5-9: MODE CONTROL (CONTINUED)**

Mode	Mode Definitions	Default Register Bit Values	
		Register 0	Register 4
		[13,12,10,8]	[8,7,6,5]
100	100ase-TX Half Duplex is advertised. Auto-negotiation enabled. CRS is active during Transmit & Receive.	1100	0100
101	Repeater mode. Auto-negotiation enabled. 100Base-TX Half Duplex is advertised. CRS is active during Receive.	1100	0100
110	Reserved - Do not set the LAN9116 in this mode.	N/A	N/A
111	All capable. Auto-negotiation enabled.	X10X	1111

## 5.5.10 SPECIAL CONTROL/STATUS INDICATIONS

Index (In Decimal): 27                      Size: 16-bits

Address	Description	Mode	Default
15:11	<b>Reserved:</b> Write as 0. Ignore on read.	RW	0
10	<b>VCOFF_LP:</b> Forces the Receive PLL 10M to lock on the reference clock at all times: 0 - Receive PLL 10M can lock on reference or line as needed (normal operation) 1 - Receive PLL 10M is locked on the reference clock. In this mode 10M data packets cannot be received.	RW, NASR	0
9-5	<b>Reserved:</b> Write as 0. Ignore on read.	RW	0
4	<b>XPOL:</b> Polarity state of the 10Base-T: 0 - Normal polarity 1 - Reversed polarity	RO	0
3:0	<b>Reserved:</b> Read only - Writing to these bits have no effect.	RO	1011b

## 5.5.11 INTERRUPT SOURCE FLAG

Index (In Decimal): 29                      Size: 16-bits

Bits	Description	Type	Default
15-8	<b>Reserved.</b> Ignore on read.	RO/LH	0
7	<b>INT7.</b> 1= ENERGYON generated, 0= not source of interrupt	RO/LH	0
6	<b>INT6.</b> 1= Auto-Negotiation complete, 0= not source of interrupt	RO/LH	0
5	<b>INT5.</b> 1= Remote Fault Detected, 0= not source of interrupt	RO/LH	0
4	<b>INT4.</b> 1= Link Down (link status negated), 0= not source of interrupt	RO/LH	0
3	<b>INT3.</b> 1= Auto-Negotiation LP Acknowledge, 0= not source of interrupt	RO/LH	0
2	<b>INT2.</b> 1= Parallel Detection Fault, 0= not source of interrupt	RO/LH	0



Bits	Description	Type	Default
1	<b>INT1.</b> 1= Auto-Negotiation Page Received, 0= not source of interrupt	RO/LH	0
0	<b>Reserved.</b>	RO/LH	0

## 5.5.12 INTERRUPT MASK

Index (In Decimal): 30                      Size: 16-bits

Bits	Description	Type	Default
15-8	<b>Reserved.</b> Write as 0; ignore on read.	RO	0
7-0	<b>Mask Bits.</b> 1 = interrupt source is enabled 0 = interrupt source is masked	RW	0

## 5.5.13 PHY SPECIAL CONTROL/STATUS

Index (In Decimal): 31                      Size: 16-bits

Bits	Description	Type	Default
15 - 13	<b>Reserved.</b>	RO	000b
12	<b>Autodone.</b> Auto-negotiation done indication: 0 = Auto-negotiation is not done or disabled (or not active) 1 = Auto-negotiation is done	RO	0b
11-5	<b>Reserved.</b> Write as 0000010b, ignore on Read.	RW	0000010b
4-2	<b>Speed Indication.</b> HCDSPEED value: [001]=10Mbps half-duplex [101]=10Mbps full-duplex [010]=100Base-TX half-duplex [110]=100Base-TX full-duplex	RO	See <a href="#">Note 5-4</a>
1-0	<b>Reserved.</b> Write as 0; ignore on Read	RO	00b

**Note 5-4** See [Table 2-2, "Default Ethernet Settings,"](#) on page 9, for default settings.

# LAN9116

## 6.0 TIMING DIAGRAMS

### 6.1 Host Interface Timing

The LAN9116 supports the following host cycles:

#### Read Cycles:

- PIO Reads (nCS or nRD controlled)
- PIO Burst Reads (nCS or nRD controlled)
- RX Data FIFO Direct PIO Reads (nCS or nRD controlled)
- RX Data FIFO Direct PIO Burst Reads (nCS or nRD controlled)

#### Write Cycles:

- PIO writes (nCS and nWR controlled)
- TX Data FIFO direct PIO writes (nCS or nWR controlled)

#### 6.1.1 SPECIAL RESTRICTIONS ON BACK-TO-BACK WRITE/READ CYCLES

It is important to note that there are specific restrictions on the timing of back-to-back write-read operations. These restrictions concern reading the control registers after any write cycle to the LAN9116 device. In many cases there is a required minimum delay between writing to the LAN9116, and the subsequent side effect (change in the control register value). For example, when writing to the TX Data FIFO, it takes up to 135ns for the level indication to change in the TX\_FIFO\_INF register.

In order to prevent the host from reading stale data after a write operation, minimum wait periods must be enforced. These periods are specified in [Table 6-1, "Read After Write Timing Rules"](#). The host processor is required to wait the specified period of time after any write to the LAN9116 before reading the resource specified in the table. These wait periods are for read operations that immediately follow any write cycle. Note that the required wait period is dependent upon the register being read after the write.

Performing "dummy" reads of the BYTE\_TEST register is a convenient way to ensure that the minimum write-to-read timing restriction is met. [Table 6-1](#) also shows the number of dummy reads that are required before reading the register indicated. The number of BYTE\_TEST reads in this table is based on the minimum timing for T<sub>cycle</sub> (165ns). For microprocessors with slower busses the number of reads may be reduced as long as the total time is equal to, or greater than the time specified in the table. Note that dummy reads of the BYTE\_TEST register are not required as long as the minimum time period is met.

**TABLE 6-1: READ AFTER WRITE TIMING RULES**

Register Name	Minimum Wait Time for Read Following Any Write Cycle (in ns)	Number of BYTE_TEST Reads (Assuming T <sub>cycle</sub> of 165ns)
ID_REV	0	0
IRQ_CFG	165	1
INT_STS	165	1
INT_EN	165	1
BYTE_TEST	0	0
FIFO_INT	165	1
RX_CFG	165	1
TX_CFG	165	1
HW_CFG	165	1
RX_DP_CTRL	165	1
RX_FIFO_INF	0	0
TX_FIFO_INF	165	1

**TABLE 6-1: READ AFTER WRITE TIMING RULES (CONTINUED)**

Register Name	Minimum Wait Time for Read Following Any Write Cycle (in ns)	Number of BYTE_TEST Reads (Assuming T <sub>cycle</sub> of 165ns)
PMT_CTRL	330	2
GPIO_CFG	165	1
GPT_CFG	165	1
GPT_CNT	165	1
WORD_SWAP	165	1
FREE_RUN	330	2
RX_DROP	0	0
MAC_CSR_CMD	165	1
MAC_CSR_DATA	165	1
AFC_CFG	165	1
E2P_CMD	165	1
E2P_DATA	165	1

## 6.1.2 SPECIAL RESTRICTIONS ON BACK-TO-BACK READ CYCLES

There are also restrictions on specific back-to-back read operations. These restrictions concern reading specific registers after reading resources that have side effects. In many cases there is a delay between reading the LAN9116, and the subsequent indication of the expected change in the control register values.

In order to prevent the host from reading stale data on back-to-back reads, minimum wait periods have been established. These periods are specified in [Table 6-2, "Read After Read Timing Rules"](#). The host processor is required to wait the specified period of time between read operations of specific combinations of resources. The wait period is dependent upon the combination of registers being read.

Performing "dummy" reads of the BYTE\_TEST register is a convenient way to ensure that the minimum wait time restriction is met. [Table 6-2](#) also shows the number of dummy reads that are required for back-to-back read operations. The number of BYTE\_TEST reads in this table is based on the minimum timing for T<sub>cycle</sub> (165ns). For microprocessors with slower busses the number of reads may be reduced as long as the total time is equal to, or greater than the time specified in the table. Dummy reads of the BYTE\_TEST register are not required as long as the minimum time period is met.

**TABLE 6-2: READ AFTER READ TIMING RULES**

After Reading...	Wait for this Many ns...	or Perform this Many Reads of BYTE_TEST... (Assuming T <sub>cy</sub> of 165ns)	Before Reading...
RX Data FIFO	165	1	RX_FIFO_INF
RX Status FIFO	165	1	RX_FIFO_INF
TX Status FIFO	165	1	TX_FIFO_INF
RX_DROP	330	2	RX_DROP
RX_DP_CTRL	330	2	TX Status FIFO RX Status FIFO <a href="#">Note 6-1</a>

**Note 6-1** This restriction is only applicable after a fast-forward operation has been completed and the RX\_FFWD bit has been cleared. Refer to [Section 3.13.1.1, "Receive Data FIFO Fast Forward,"](#) on [page 43](#) for more information.

# LAN9116

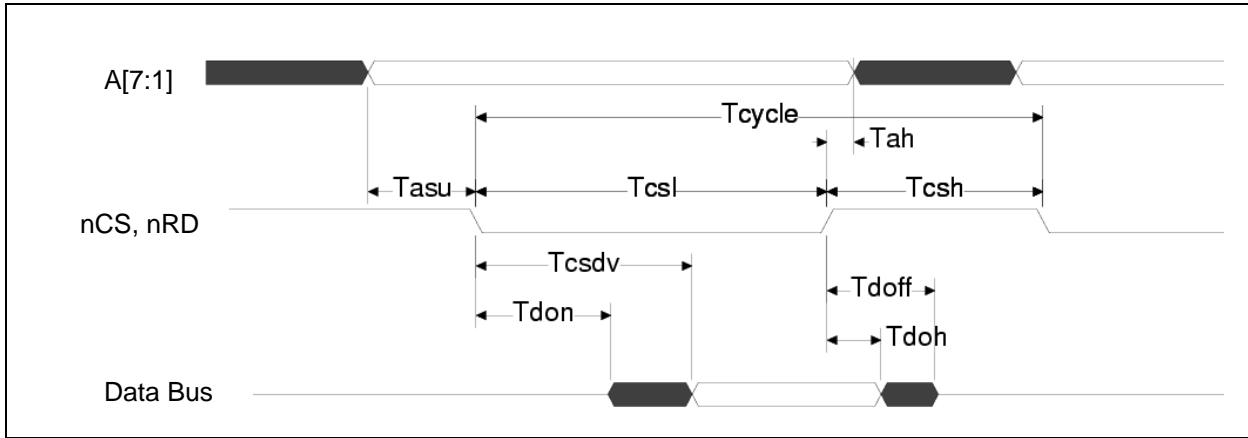
## 6.2 PIO Reads

PIO reads can be used to access CSRs or RX Data and RX/TX status FIFOs. In this mode, counters in the CSRs are latched at the beginning of the read cycle. Read data is valid as indicated in the timing diagram. PIO reads can be performed using Chip Select ( $nCS$ ) or Read Enable ( $nRD$ ). Either or both of these control signals must go high between cycles for the period specified.

PIO reads are supported for both 16- and 32-bit access. Timing for 16-bit and 32-bit PIO Read cycles is identical with the exception that  $D[31:16]$  are not driven during a 16-bit read.

**Note:** Some registers have restrictions on the timing of back-to-back, write-read and read-read cycles.

**FIGURE 6-1: LAN9116 PIO READ CYCLE TIMING**



**Note:** The "Data Bus" width is 32 bits with optional support for 16-bit bus widths

**TABLE 6-3: PIO READ TIMING**

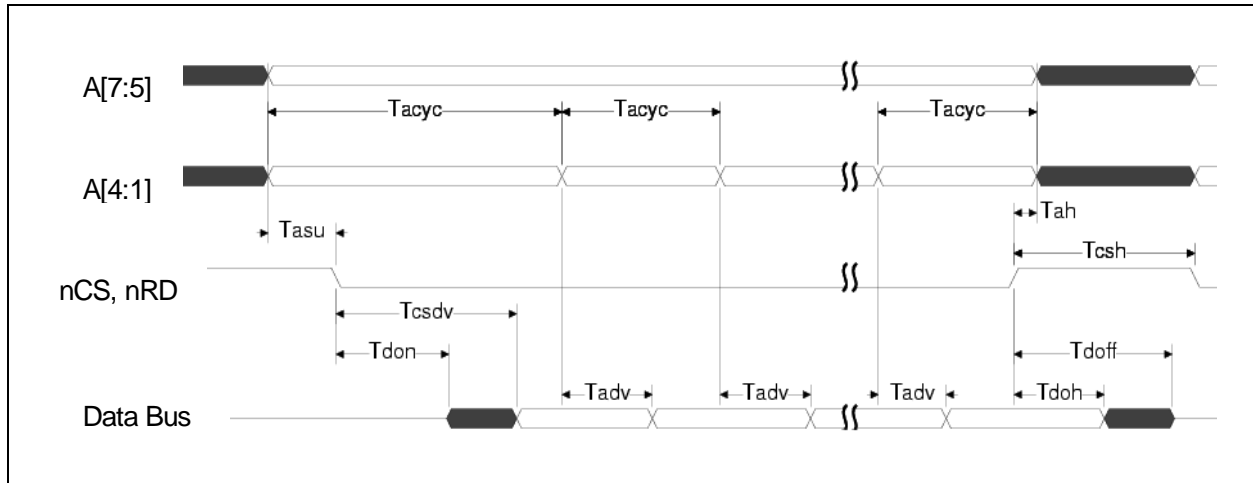
Symbol	Description	MIN	TYP	MAX	Units
$t_{cycle}$	Read Cycle Time	165			ns
$t_{csl}$	$nCS$ , $nRD$ Assertion Time	32			ns
$t_{csh}$	$nCS$ , $nRD$ Deassertion Time	13			ns
$t_{csdv}$	$nCS$ , $nRD$ Valid to Data Valid			30	ns
$t_{asu}$	Address Setup to $nCS$ , $nRD$ Valid	0			ns
$t_{ah}$	Address Hold Time	0			ns
$t_{don}$	Data Buffer Turn On Time	0			ns
$t_{doff}$	Data Buffer Turn Off Time			7	ns
$t_{doh}$	Data Output Hold Time	0			ns

**Note:** A PIO Read cycle begins when both  $nCS$  and  $nRD$  are asserted. The cycle ends when either or both  $nCS$  and  $nRD$  are deasserted. They may be asserted and deasserted in any order.

## 6.3 PIO Burst Reads

In this mode, performance is improved by allowing up to 8, DWORD read cycles, or 16, WORD read cycles back-to-back. PIO Burst Reads can be performed using Chip Select (nCS) or Read Enable (nRD). Either or both of these control signals must go high between bursts for the period specified. Timing for 16-bit and 32-bit PIO Burst Mode Read cycles is identical, with the exception that D[31:16] are not driven during a 16-bit burst.

**FIGURE 6-2: LAN9116 PIO BURST READ CYCLE TIMING**



**Note:** The "Data Bus" width is 32 bits with optional support for 16-bit bus widths

**TABLE 6-4: PIO BURST READ TIMING**

Symbol	Description	MIN	TYP	MAX	Units
$t_{csh}$	nCS, nRD Deassertion Time	13			ns
$t_{csdv}$	nCS, nRD Valid to Data Valid			30	ns
$t_{acyc}$	Address Cycle Time	165			
$t_{asu}$	Address Setup to nCS, nRD valid	0			ns
$t_{adv}$	Address Stable to Data Valid			40	
$t_{ah}$	Address Hold Time	0			ns
$t_{don}$	Data Buffer Turn On Time	0			ns
$t_{doff}$	Data Buffer Turn Off Time			7	ns
$t_{doh}$	Data Output Hold Time	0			ns

**Note:** A PIO Burst Read cycle begins when both nCS and nRD are asserted. The cycle ends when either or both nCS and nRD are deasserted. They may be asserted and deasserted in any order.

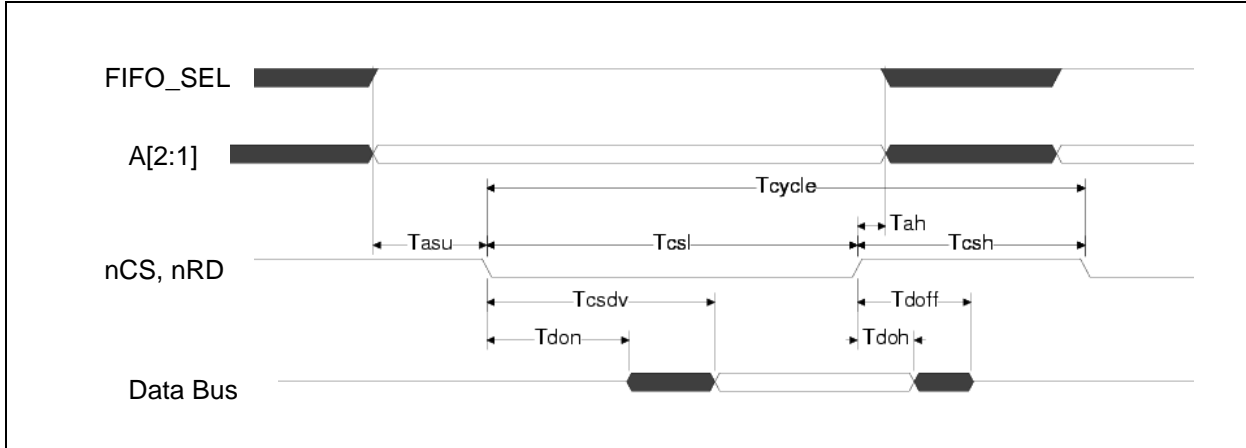
# LAN9116

## 6.4 RX Data FIFO Direct PIO Reads

In this mode the upper address inputs are not decoded, and any read of the LAN9116 will read the RX Data FIFO. This mode is enabled when FIFO\_SEL is driven high during a read access. This is normally accomplished by connecting the FIFO\_SEL signal to high-order address line. This mode is useful when the host processor must increment its address when accessing the LAN9116. Timing is identical to a PIO read, and the FIFO\_SEL signal has the same timing characteristics as the address lines.

Timing for 16-bit and 32-bit Direct PIO Read cycles is identical with the exception that D[31:16] is not driven during a 16-bit read. Note that address lines A[2:1] are still used, and address bits A[7:3] are ignored.

**FIGURE 6-3: RX DATA FIFO DIRECT PIO READ CYCLE TIMING**



**Note:** The "Data Bus" width is 32 bits with optional support for 16-bit bus widths.

**TABLE 6-5: RX DATA FIFO DIRECT PIO READ TIMING**

Symbol	Description	MIN	TYP	MAX	Units
$t_{cycle}$	Read Cycle Time	165			ns
$t_{csl}$	nCS, nRD Assertion Time	32			ns
$t_{csh}$	nCS, nRD Deassertion Time	13			ns
$t_{csdv}$	nCS, nRD Valid to Data Valid			30	ns
$t_{asu}$	Address, FIFO_SEL Setup to nCS, nRD Valid	0			ns
$t_{ah}$	Address, FIFO_SEL Hold Time	0			ns
$t_{don}$	Data Buffer Turn On Time	0			ns
$t_{doff}$	Data Buffer Turn Off Time			7	ns
$t_{doh}$	Data Output Hold Time	0			ns

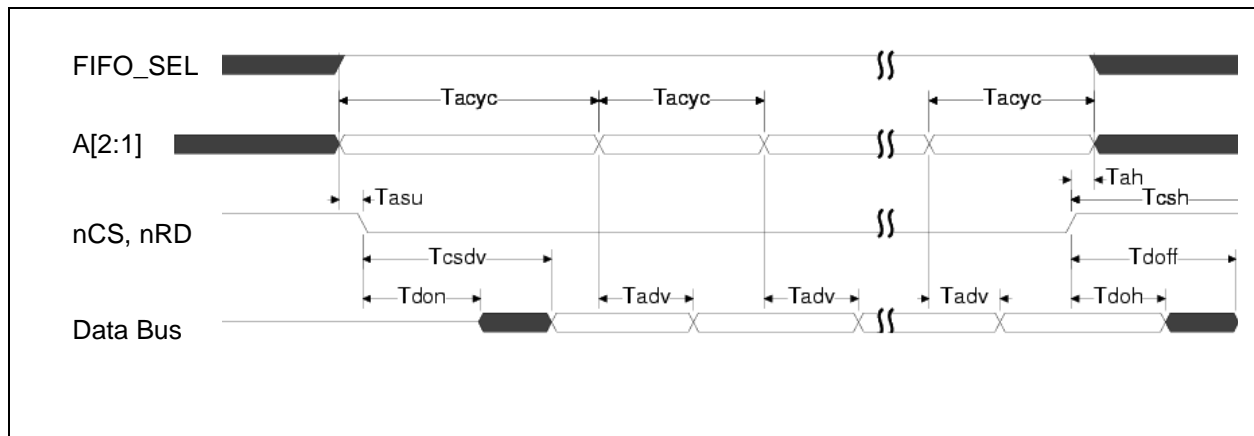
**Note:** An RX Data FIFO Direct PIO Read cycle begins when both nCS and nRD are asserted. The cycle ends when either or both nCS and nRD are de-asserted. They may be asserted and de-asserted in any order.

## 6.5 RX Data FIFO Direct PIO Burst Reads

In this mode the upper address inputs are not decoded, and any burst read of the LAN9116 will read the RX Data FIFO. This mode is enabled when FIFO\_SEL is driven high during a read access. This is normally accomplished by connecting the FIFO\_SEL signal to a high-order address line. This mode is useful when the host processor must increment its address when accessing the LAN9116. Timing is identical to a PIO Burst Read, and the FIFO\_SEL signal has the same timing characteristics as the address lines. In this mode, performance is improved by allowing an unlimited number of back-to-back DWORD or WORD read cycles. RX Data FIFO Direct PIO Burst Reads can be performed using Chip Select (nCS) or Read Enable (nRD). When either or both of these control signals go high, they must remain high for the period specified.

Timing for 16-bit and 32-bit RX Data FIFO Direct PIO Burst Reads is identical with the exception that D[31:16] are not driven during a 16-bit burst. Note that address lines A[2:1] are still used, and address bits A[7:3] are ignored.

**FIGURE 6-4: RX DATA FIFO DIRECT PIO BURST READ CYCLE TIMING**



**Note:** The “Data Bus” width is 32 bits with optional support for 16-bit bus widths.

**FIGURE 6-5: RX DATA FIFO DIRECT PIO BURST READ CYCLE TIMING**

Symbol	Description	MIN	TYP	MAX	Units
$t_{csh}$	nCS, nRD Deassertion Time	13			ns
$t_{csdv}$	nCS, nRD Valid to Data Valid			30	ns
$t_{acyc}$	Address Cycle Time	165			
$t_{asu}$	Address, FIFO_SEL Setup to nCS, nRD Valid	0			ns
$t_{adv}$	Address Stable to Data Valid			40	
$t_{ah}$	Address, FIFO_SEL Hold Time	0			ns
$t_{don}$	Data Buffer Turn On Time	0			ns
$t_{doff}$	Data Buffer Turn Off Time			7	ns
$t_{doh}$	Data Output Hold Time	0			ns

**Note:** An RX Data FIFO Direct PIO Burst Read cycle begins when both nCS and nRD are asserted. The cycle ends when either or both nCS and nRD are deasserted. They may be asserted and deasserted in any order.

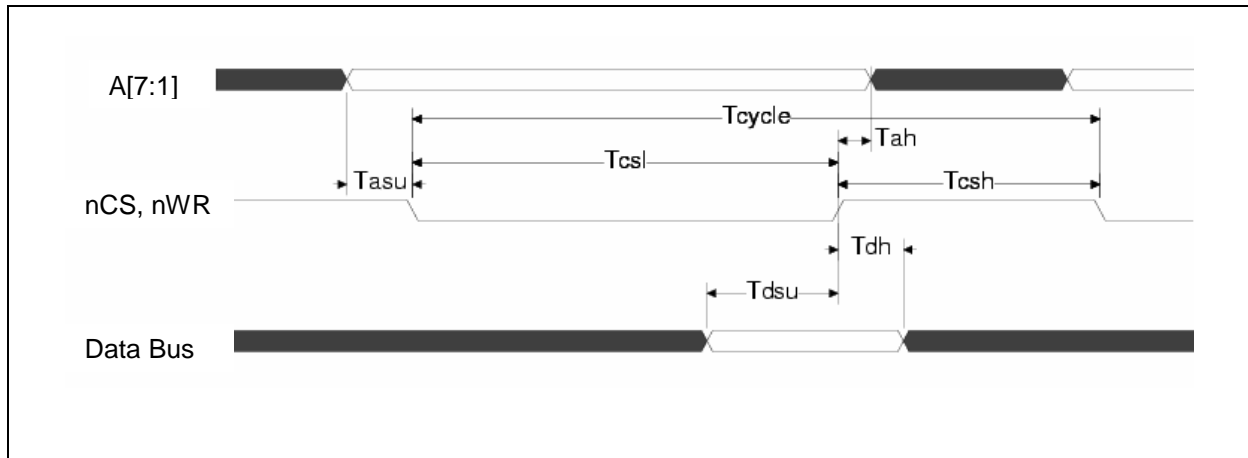
# LAN9116

## 6.6 PIO Writes

PIO writes are used for all LAN9116 write cycles. PIO writes can be performed using Chip Select (nCS) or Write Enable (nWR). Either or both of these control signals must go high between cycles for the period specified.

PIO Writes are valid for 16- and 32-bit access. Timing for 16-bit and 32-bit PIO write cycles are identical with the exception that D[31:16] are ignored during a 16-bit write.

**FIGURE 6-6: PIO WRITE CYCLE TIMING**



**Note:** The "Data Bus" width is 32 bits with optional support for 16-bit bus widths.

**TABLE 6-6: PIO WRITE CYCLE TIMING**

Symbol	Description	MIN	TYP	MAX	Units
t <sub>cycle</sub>	Write Cycle Time	165			ns
t <sub>cs</sub>	nCS, nWR Assertion Time	32			ns
t <sub>csh</sub>	nCS, nWR Deassertion Time	13			ns
t <sub>asu</sub>	Address Setup to nCS, nWR Assertion	0			ns
t <sub>ah</sub>	Address Hold Time	0			ns
t <sub>dsu</sub>	Data Setup to nCS, nWR Deassertion	7			ns
t <sub>dh</sub>	Data Hold Time	0			ns

**Note:** A PIO Write cycle begins when both nCS and nWR are asserted. The cycle ends when either or both nCS and nWR are deasserted. They may be asserted and deasserted in any order.

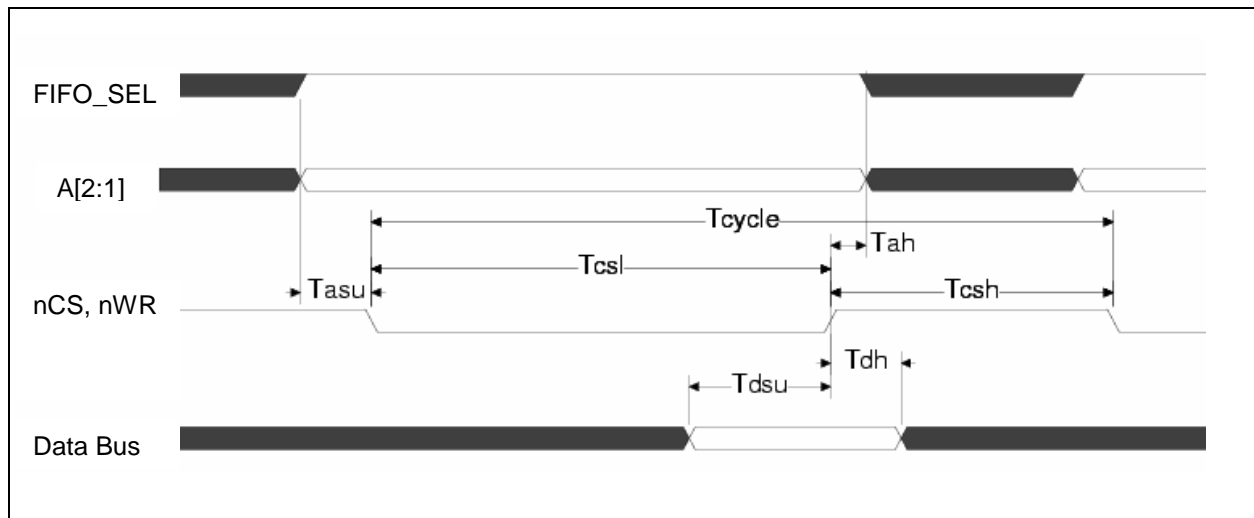


## 6.7 TX Data FIFO Direct PIO Writes

In this mode the upper address inputs are not decoded, and any write to the LAN9116 will write the TX Data FIFO. This mode is enabled when FIFO\_SEL is driven high during a write access. This is normally accomplished by connecting the FIFO\_SEL signal to a high-order address line. This mode is useful when the host processor must increment its address when accessing the LAN9116. Timing is identical to a PIO write, and the FIFO\_SEL signal has the same timing characteristics as the address lines.

Timing for 16-bit and 32-bit cycles is identical with the exception that D[31:16] is ignored during a 16-bit write. Note that address lines A[2:1] are still used when the LAN9116 is operating in 32-bit and 16-bit mode. Address bits A[7:3] are ignored.

**FIGURE 6-7: TX DATA FIFO DIRECT PIO WRITE TIMING**



**Note:** The “Data Bus” width is 32 bits with optional support for 16-bit bus widths.

**TABLE 6-7: TX DATA FIFO DIRECT PIO WRITE TIMING**

Symbol	Description	MIN	TYP	MAX	Units
$t_{cycle}$	Write Cycle Time	165			ns
$t_{csl}$	nCS, nWR Assertion Time	32			ns
$t_{csh}$	nCS, nWR Deassertion Time	13			ns
$t_{asu}$	Address, FIFO_SEL Setup to nCS, nWR Assertion	0			ns
$t_{ah}$	Address, FIFO_SEL Hold Time	0			ns
$t_{dsu}$	Data Setup to nCS, nWR Deassertion	7			ns
$t_{dh}$	Data Hold Time	0			ns

**Note:** A TX Data FIFO Direct PIO Write cycle begins when both nCS and nWR are asserted. The cycle ends when either or both nCS and nWR are deasserted. They may be asserted and deasserted in any order.

## 6.8 Reset Timing

FIGURE 6-8: RESET TIMING

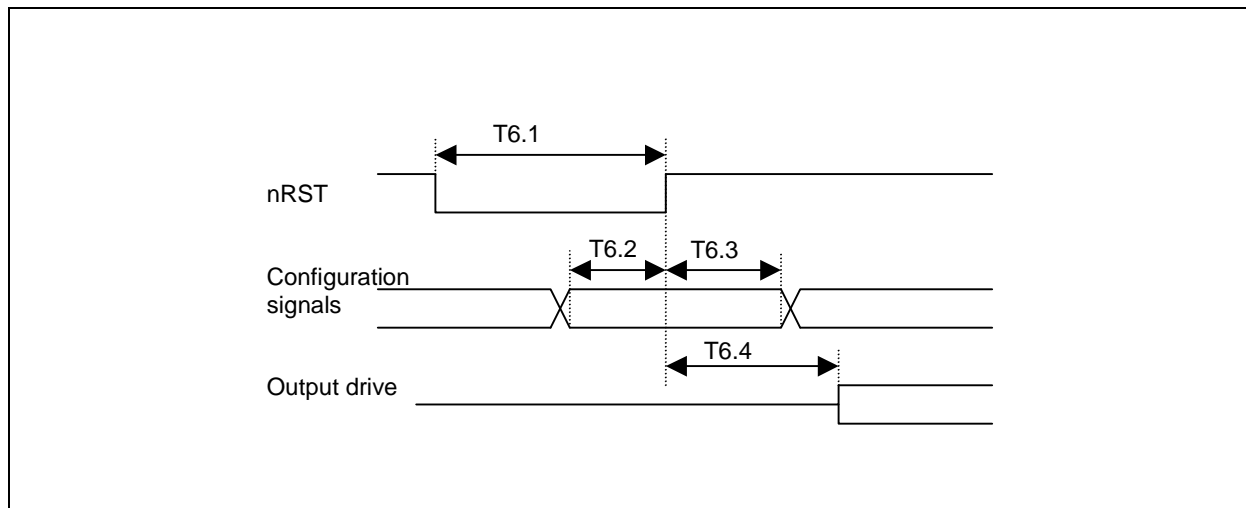


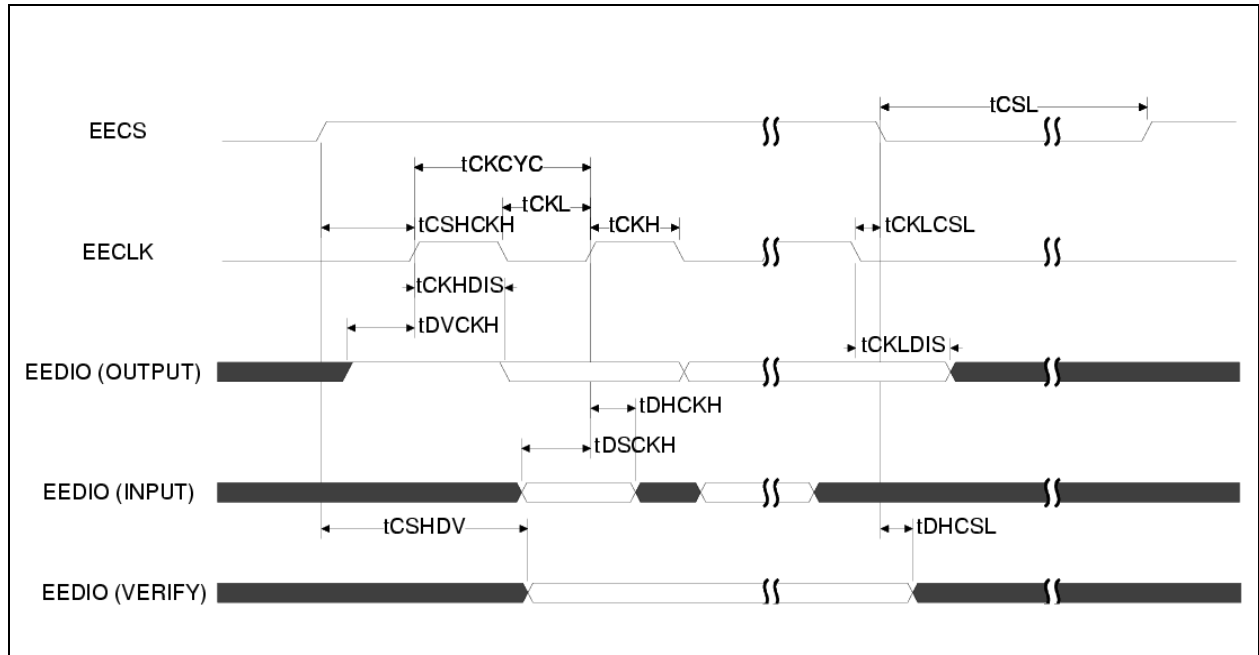
TABLE 6-8: RESET TIMING VALUES

Parameter	Description	MIN	TYP	MAX	Units	Notes
T6.1	Reset Pulse Width	200			us	
T6.2	Configuration input setup to nRST rising	200			ns	
T6.3	Configuration input hold after nRST rising	10			ns	
T6.4	Output Drive after nRST rising			16	ns	

## 6.9 EEPROM Timing

The following specifies the EEPROM timing requirements for the LAN9116.

**FIGURE 6-9: EEPROM TIMING**



**TABLE 6-9: EEPROM TIMING VALUES**

Symbol	Description	MIN	TYP	MAX	Units
$t_{CKCYC}$	EECLK Cycle time	1110		1130	ns
$t_{CKH}$	EECLK High time	550		570	ns
$t_{CKL}$	EECLK Low time	550		570	ns
$t_{CSHCKH}$	EECS high before rising edge of EECLK	1070			ns
$t_{CKLCSL}$	EECLK falling edge to EECS low	30			ns
$t_{DVCKH}$	EEDIO valid before rising edge of EECLK (OUTPUT)	550			ns
$t_{CKHDIS}$	EEDIO disable after rising edge EECLK (OUTPUT)	550			ns
$t_{DSCKH}$	EEDIO setup to rising edge of EECLK (INPUT)	90			ns
$t_{DHCKH}$	EEDIO hold after rising edge of EECLK (INPUT)	0			ns
$t_{CKLDIS}$	EECLK low to data disable (OUTPUT)	580			ns
$t_{CSHDV}$	EEDIO valid after EECS high (VERIFY)			600	ns
$t_{DHCSL}$	EEDIO hold after EECS low (VERIFY)	0			ns
$t_{CSL}$	EECS low	1070			ns

# LAN9116

## 7.0 OPERATIONAL CHARACTERISTICS

### 7.1 Absolute Maximum Ratings\*

Supply Voltage (VDD_A, VDD_REF, VREG, VDD_IO) (Note 7-1)	0V to +3.3V+10%
Positive voltage on signal pins, with respect to ground (Note 7-2)	+6V
Negative voltage on signal pins, with respect to ground (Note 7-3)	-0.5V
Positive voltage on XTAL1, with respect to ground	+4.6V
Positive voltage on XTAL2, with respect to ground	+2.5V
Ambient Operating Temperature in Still Air (T <sub>A</sub> )	0°C to +70°C
Storage Temperature	-65°C to +150°C
Lead Temperature Range	Refer to JEDEC Spec. J-STD-020
HBM ESD Performance	+/- 5kV

**Note 7-1** When powering this device from laboratory or system power supplies, it is important that the absolute maximum ratings not be exceeded or device failure can result. Some power supplies exhibit voltage spikes on their outputs when AC power is switched on or off. In addition, voltage transients on the AC power line may appear on the DC output. If this possibility exists, it is suggested that a clamp circuit be used.

**Note 7-2** This rating does not apply to the following pins: XTAL1, XTAL2, EXRES1.

**Note 7-3** This rating does not apply to the following pins: EXRES1.

\*Stresses exceeding those listed in this section could cause permanent damage to the device. This is a stress rating only. Exposure to absolute maximum rating conditions for extended periods may affect device reliability. Functional operation of the device at any condition exceeding those indicated in Section 7.2, "Operating Conditions\*\*", Section 7.5, "DC Electrical Specifications", or any other applicable section of this specification is not implied.

### 7.2 Operating Conditions\*\*

Supply Voltage (VDD_A, VDD_REF, VREG, VDD_IO)	+3.3V +/- 10%
Ambient Operating Temperature in Still Air (T <sub>A</sub> )	0°C to +70°C

\*\*Proper operation of the LAN9116 is ensured only within the ranges specified in this section.

### 7.3 Power Consumption Device Only

Power measurements taken under the following conditions:

Temperature:	+25° C
Device VDD:	+3.30 V

**TABLE 7-1: POWER CONSUMPTION DEVICE ONLY**

Mode	Total Power - Typical (mW)
<b>10BASE-T Operation</b>	
D0, 10BASE-T /w traffic	244
D0, Idle	225
D1, 10BASE-T /w traffic	120
D1, Idle	120
D2, Energy Detect Power Down	35
D2, General Power Down	11
<b>100BASE-TX Operation</b>	
D0, 100BASE-TX /w traffic	422
D0, Idle	367

**TABLE 7-1: POWER CONSUMPTION DEVICE ONLY (CONTINUED)**

Mode	Total Power - Typical (mW)
D1, 100BASE-T /w traffic	262
D1, Idle	262
D2, Energy Detect Power Down (Cable disconnected)	35
D2, General Power Down	11

**Note 7-4** Each LED indicator in use adds approximately 4 mA to the Digital power supply.

**Note 7-5** D0 = Normal Operation, D1 = WOL (Wake On LAN mode), D2= Low Power Energy Detect.

## 7.4 Power Consumption Device and System Components

This section describes typical power consumption values of a total Ethernet LAN connectivity solution, which includes external components supporting the Microchip Ethernet controller. The values below should be used as comparison measurements only for power provisioning.

Please refer to application note "AN 12-5 Designing with the LAN9118 - Getting Started", that can be found on Microchip's web site [www.microchip.com](http://www.microchip.com), which details the magnetics and other components used.

Power measurements taken under the following conditions:

Temperature: ..... +25° C

Device VDD: ..... +3.30 V

**TABLE 7-2: POWER CONSUMPTION DEVICE AND SYSTEM COMPONENTS**

Mode	Total Power - Typical (mW)
<b>10BASE-T Operation</b>	
D0, 10BASE-T /w traffic	614
D0, Idle	637
D1, 10BASE-T /w traffic	513
D1, Idle	513
D2, Energy Detect Power Down	56
D2, General Power Down	32
<b>100BASE-TX Operation</b>	
D0, 100BASE-TX /w traffic	518
D0, Idle	576
D1, 100BASE-T /w traffic	414
D1, Idle	414
D2, Energy Detect Power Down	56
D2, General Power Down	32

**Note 7-6** Each LED indicator in use adds approximately 4 mA to the Digital power supply.

# LAN9116

## 7.5 DC Electrical Specifications

**TABLE 7-3: I/O BUFFER CHARACTERISTICS**

Parameter	Symbol	MIN	TYP	MAX	Units	Notes
I Type Input Buffer						
Low Input Level	$V_{ILI}$	-0.3		0.8	V	
High Input Level	$V_{IHI}$	2.0		5.5	V	
IS Type Input Buffer						
Negative-Going Threshold	$V_{ILT}$	1.01	1.18	1.35	V	Schmitt Trigger
Positive-Going Threshold	$V_{IHT}$	1.39	1.6	1.8	V	Schmitt Trigger
Schmitt Trigger Hysteresis ( $V_{IHT} - V_{ILT}$ )	$V_{HYS}$	345	420	485	mV	
O12 Type Buffer						
Low Output Level	$V_{OL}$			0.4	V	$I_{OL} = 12\text{mA}$
High Output Level	$V_{OH}$	$V_{DD} - 0.4$			V	$I_{OH} = -12\text{mA}$
OD12 Type Buffer						
Low Output Level	$V_{OL}$			0.4	V	$I_{OL} = 12\text{mA}$
IO8 Type Buffer						
Low Input Level	$V_{ILI}$	-0.3		0.8	V	
High Input Level	$V_{IHI}$	2.0		5.5	V	
Low Output Level	$V_{OL}$			0.4	V	$I_{OL} = 8\text{mA}$
High Output Level	$V_{OH}$	$V_{DD} - 0.4$			V	$I_{OH} = -8\text{mA}$
OD8 Type Buffer						
Low Output Level	$V_{OL}$			0.4	V	$I_{OL} = 8\text{mA}$
O8 Type Buffer						
Low Output Level	$V_{OL}$			0.4	V	$I_{OL} = 8\text{mA}$
High Output Level	$V_{OH}$	$V_{DD} - 0.4$			V	$I_{OH} = -8\text{mA}$
I <sub>CLK</sub> Input Buffer						
Low Input Level	$V_{ILCK}$	-0.3		0.5	V	
High Input Level	$V_{IHCK}$	1.4		3.6	V	

**TABLE 7-4: 100BASE-TX TRANSCEIVER CHARACTERISTICS**

Parameter	Symbol	MIN	TYP	MAX	Units	Notes
Peak Differential Output Voltage High	$V_{PPH}$	950	-	1050	mVpk	<a href="#">Note 7-7</a>
Peak Differential Output Voltage Low	$V_{PPL}$	-950	-	-1050	mVpk	<a href="#">Note 7-7</a>
Signal Amplitude Symmetry	$V_{SS}$	98	-	102	%	<a href="#">Note 7-7</a>
Signal Rise & Fall Time	$T_{RF}$	3.0	-	5.0	nS	<a href="#">Note 7-7</a>
Rise & Fall Time Symmetry	$T_{RFS}$	-	-	0.5	nS	<a href="#">Note 7-7</a>
Duty Cycle Distortion	$D_{CD}$	35	50	65	%	<a href="#">Note 7-8</a>
Overshoot & Undershoot	$V_{OS}$	-	-	5	%	
Jitter				1.4	nS	<a href="#">Note 7-9</a>

**Note 7-7** Measured at the line side of the transformer, line replaced by 100Ω (+/- 1%) resistor.

**Note 7-8** Offset from 16 nS pulse width at 50% of pulse peak

**Note 7-9** Measured differentially.

**TABLE 7-5: 10BASE-T TRANSCEIVER CHARACTERISTICS**

Parameter	Symbol	MIN	TYP	MAX	Units	Notes
Transmitter Peak Differential Output Voltage	$V_{OUT}$	2.2	2.5	2.8	V	<a href="#">Note 7-10</a>
Receiver Differential Squelch Threshold	$V_{DS}$	300	420	585	mV	

**Note 7-10** Measured at the line side of the transformer, line replaced by 100Ω (+/- 1%) resistor.

## 7.6 Clock Circuit

The LAN9116 can accept either a 25MHz crystal (preferred) or a 25 MHz clock oscillator (±50 PPM) input. The LAN9116 shares the 25MHz clock oscillator input (CLKIN) with the crystal input XTAL1 (pin 6). If the single-ended clock oscillator method is implemented, XTAL2 should be left unconnected and CLKIN should be driven with a nominal 0-3.3V clock signal. The input clock duty cycle is 40% minimum, 50% typical and 60% maximum.

It is recommended that a crystal utilizing matching parallel load capacitors be used for the LAN9116 crystal input/output signals (XTAL1, XTAL2). See [Table 7-6, "LAN9116 Crystal Specifications"](#) for crystal specifications. Refer to Microchip Application Note AN10.7 - "Parallel Crystal Circuit Input Voltage Control" and the LAN9116 Reference Schematic for additional information.

**TABLE 7-6: LAN9116 CRYSTAL SPECIFICATIONS**

Parameter	Symbol	MIN	NOM	MAX	Units	Notes
Crystal Cut	AT, typ					
Crystal Oscillation Mode	Fundamental Mode					
Crystal Calibration Mode	Parallel Resonant Mode					
Frequency	$F_{fund}$	-	25.000	-	MHz	
Frequency Tolerance @ 25°C	$F_{tol}$	-	-	+/-50	PPM	<a href="#">Note 7-11</a>
Frequency Stability Over Temp	$F_{temp}$	-	-	+/-50	PPM	<a href="#">Note 7-11</a>
Frequency Deviation Over Time	$F_{age}$	-	+/-3 to 5	-	PPM	<a href="#">Note 7-12</a>
Total Allowable PPM Budget		-	-	+/-50	PPM	<a href="#">Note 7-13</a>
Shunt Capacitance	$C_O$	-	7 typ	-	pF	
Load Capacitance	$C_L$	-	20 typ	-	pF	
Drive Level	$P_W$	0.5	-	-	mW	
Equivalent Series Resistance	$R_1$	-	-	30	Ohm	
Operating Temperature Range		0	-	+70	°C	
LAN9116 XTAL1 Pin Capacitance		-	3 typ	-	pF	<a href="#">Note 7-14</a>
LAN9116 XTAL2 Pin Capacitance		-	3 typ	-	pF	<a href="#">Note 7-14</a>

**Note 7-11** The maximum allowable values for Frequency Tolerance and Frequency Stability are application dependent. Since any particular application must meet the IEEE +/-50 PPM Total PPM Budget, the combination of these two values must be approximately +/-45 PPM (allowing for aging).

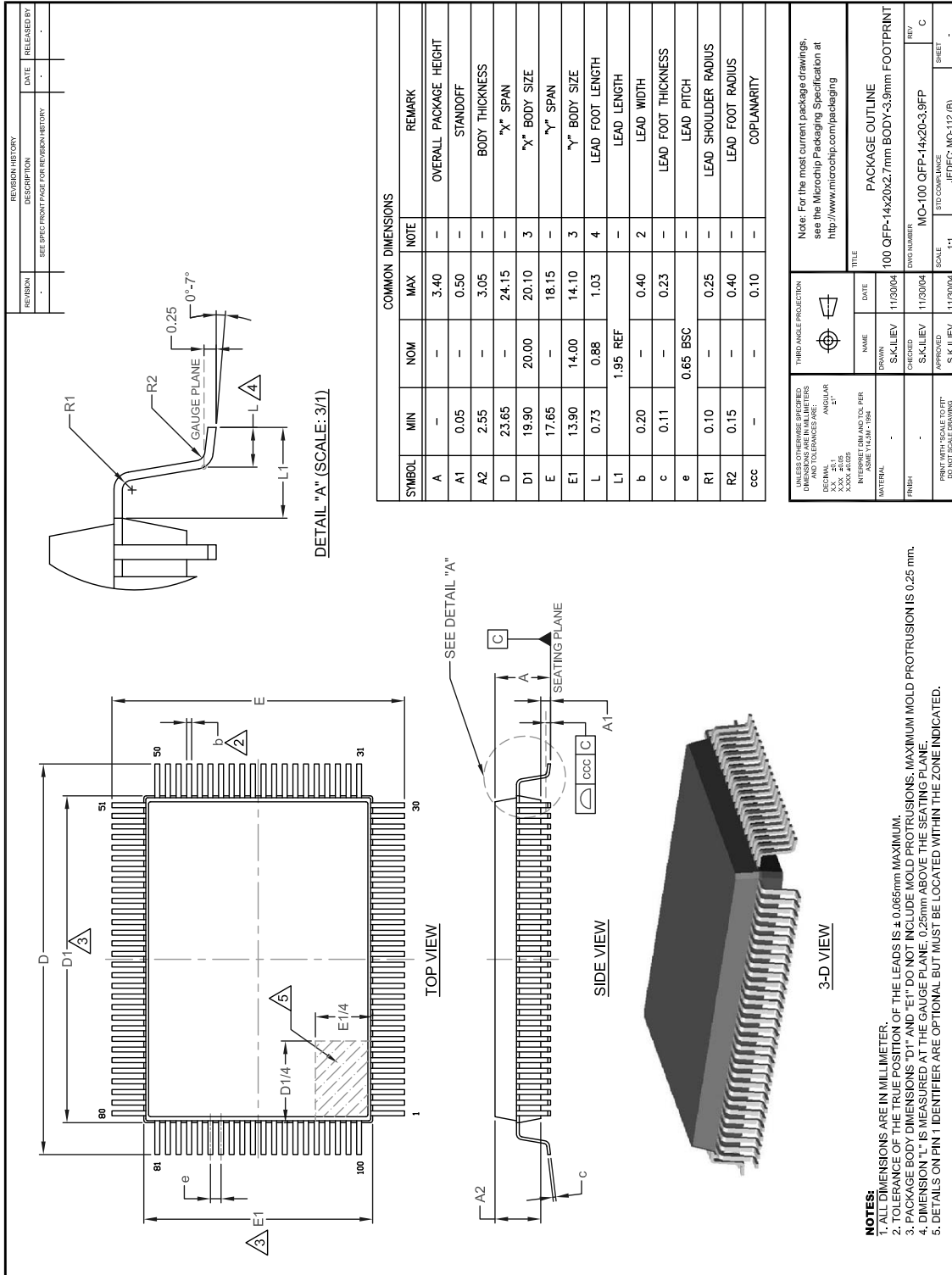
**Note 7-12** Frequency Deviation Over Time is also referred to as Aging.

**Note 7-13** The total deviation for the Transmitter Clock Frequency is specified by IEEE 802.3u as +/- 50 PPM.

**Note 7-14** This number includes the pad, the bond wire and the lead frame. PCB capacitance is not included in this value. The XTAL1 and XTAL2 pin and PCB capacitance values are required to accurately calculate the value of the two external load capacitors. These two external load capacitors determine the accuracy of the 25.000 MHz frequency.

## 8.0 PACKAGE OUTLINE

FIGURE 8-1: 100-PIN TQFP PACKAGE; 14 X 14X 1.4MM BODY, 0.5MM PITCH





## APPENDIX A: DATA SHEET REVISION HISTORY

TABLE A-1: REVISION HISTORY

REVISION LEVEL & DATE	SECTION/FIGURE/ENTRY	CORRECTION
DS00002268A (08-22-16)	Replaces previous SMSC version Rev. 1.5 (07-11-08)	
Rev. 1.5 (07-11-08)	Standard SMSC formatting	
Rev. 1.4 (06-20-08)	<a href="#">Table 2-5, "System and Power Signals," on page 10</a>	Added text to VDD_CORE and VDD_PLL pin descriptions that states the pins must not be used to supply power to external devices.
	Internal Block Diagram	A PLL regulator block was added and the word "Core" was added to the original regulator block.
	<a href="#">Table 2-4, "Serial EEPROM Interface Signals," on page 10</a>	Added note to the EECLK pin: "When the EEPROM interface is not used, the EECLK pin must be left unconnected." (Per change request 737306-KL0774)
	<a href="#">Section 3.5, "Wake-up Frame Detection," on page 19 and Section 5.4.1, "MAC_CR—MAC Control Register," on page 75</a>	Added note: "When wake-up frame detection is enabled via the WUEN bit of the <a href="#">WUCSR—Wake-up Control and Status Register</a> , a broadcast wake-up frame will wake-up the device despite the state of the Disable Broadcast Frames (BCAST) bit in the <a href="#">MAC_CR—MAC Control Register</a> ."
	<a href="#">Section 5.4.12, "WUCSR—Wake-up Control and Status Register," on page 82</a>	Fixed typo in bit 9: "... Mac Address [1:0] bit set to 0." was changed to "...Mac Address [0] bit set to 0."
	<a href="#">Section 5.5.5, "Auto-negotiation Advertisement," on page 85</a>	Bits 9 and 15 relabeled as Reserved, Read-Only (RO), with a default of 0.
	<a href="#">Section 5.5.5, "Auto-negotiation Advertisement," on page 85</a>	Fixed definition of bits 11:10 when equal to "11" by adding "advertise support for." to beginning of definition. Also added note stating "When both symmetric PAUSE and asymmetric PAUSE support are advertised, the device will only be configured to, at most, one of the two settings upon auto-negotiation completion."
	<a href="#">Section 7.1, "Absolute Maximum Ratings*," on page 100 and Section 7.2, "Operating Conditions**," on page 100</a>	Removed 1.8V output voltage (VDD_PLL, VDD_CORE) ratings and notes which stated: "These pins must not be used to supply power to other external devices." These specifications are not needed by the customer since the regulators are not to be used for external applications.

## THE MICROCHIP WEB SITE

Microchip provides online support via our WWW site at [www.microchip.com](http://www.microchip.com). This web site is used as a means to make files and information easily available to customers. Accessible by using your favorite Internet browser, the web site contains the following information:

- **Product Support** – Data sheets and errata, application notes and sample programs, design resources, user's guides and hardware support documents, latest software releases and archived software
- **General Technical Support** – Frequently Asked Questions (FAQ), technical support requests, online discussion groups, Microchip consultant program member listing
- **Business of Microchip** – Product selector and ordering guides, latest Microchip press releases, listing of seminars and events, listings of Microchip sales offices, distributors and factory representatives

## CUSTOMER CHANGE NOTIFICATION SERVICE

Microchip's customer notification service helps keep customers current on Microchip products. Subscribers will receive e-mail notification whenever there are changes, updates, revisions or errata related to a specified product family or development tool of interest.

To register, access the Microchip web site at [www.microchip.com](http://www.microchip.com). Under "Support", click on "Customer Change Notification" and follow the registration instructions.

## CUSTOMER SUPPORT

Users of Microchip products can receive assistance through several channels:

- Distributor or Representative
- Local Sales Office
- Field Application Engineer (FAE)
- Technical Support

Customers should contact their distributor, representative or field application engineer (FAE) for support. Local sales offices are also available to help customers. A listing of sales offices and locations is included in the back of this document.

Technical support is available through the web site at: <http://www.microchip.com/support>

## PRODUCT IDENTIFICATION SYSTEM

To order or obtain information, e.g., on pricing or delivery, refer to the factory or the listed sales office.

<u>PART NO.</u>	<u>IXI</u>	-	<u>XXX</u>
Device	Temperature Range		Package
<b>Device:</b>	LAN9116		
<b>Temperature Range:</b>	Blank = 0°C to +70°C (Commercial)		
<b>Package:</b>	MT= 100-pin TQFP with E3 Finish (MATTE Tin)		
<b>Example:</b> LAN9116-MT 100-pin TQFP RoHS Compliant Package Commercial Temperature, Tray			

**Note the following details of the code protection feature on Microchip devices:**

- Microchip products meet the specification contained in their particular Microchip Data Sheet.
- Microchip believes that its family of products is one of the most secure families of its kind on the market today, when used in the intended manner and under normal conditions.
- There are dishonest and possibly illegal methods used to breach the code protection feature. All of these methods, to our knowledge, require using the Microchip products in a manner outside the operating specifications contained in Microchip's Data Sheets. Most likely, the person doing so is engaged in theft of intellectual property.
- Microchip is willing to work with the customer who is concerned about the integrity of their code.
- Neither Microchip nor any other semiconductor manufacturer can guarantee the security of their code. Code protection does not mean that we are guaranteeing the product as “unbreakable.”

Code protection is constantly evolving. We at Microchip are committed to continuously improving the code protection features of our products. Attempts to break Microchip's code protection feature may be a violation of the Digital Millennium Copyright Act. If such acts allow unauthorized access to your software or other copyrighted work, you may have a right to sue for relief under that Act.

---

Information contained in this publication regarding device applications and the like is provided only for your convenience and may be superseded by updates. It is your responsibility to ensure that your application meets with your specifications. MICROCHIP MAKES NO REPRESENTATIONS OR WARRANTIES OF ANY KIND WHETHER EXPRESS OR IMPLIED, WRITTEN OR ORAL, STATUTORY OR OTHERWISE, RELATED TO THE INFORMATION, INCLUDING BUT NOT LIMITED TO ITS CONDITION, QUALITY, PERFORMANCE, MERCHANTABILITY OR FITNESS FOR PURPOSE. Microchip disclaims all liability arising from this information and its use. Use of Microchip devices in life support and/or safety applications is entirely at the buyer's risk, and the buyer agrees to defend, indemnify and hold harmless Microchip from any and all damages, claims, suits, or expenses resulting from such use. No licenses are conveyed, implicitly or otherwise, under any Microchip intellectual property rights unless otherwise stated.

#### Trademarks

The Microchip name and logo, the Microchip logo, AnyRate, dsPIC, FlashFlex, flexPWR, Heldo, JukeBlox, KeeLoq, KeeLoq logo, Klear, LANCheck, LINK MD, MediaLB, MOST, MOST logo, MPLAB, OptoLyzer, PIC, PICSTART, PIC32 logo, RightTouch, SpyNIC, SST, SST Logo, SuperFlash and UNI/O are registered trademarks of Microchip Technology Incorporated in the U.S.A. and other countries.

ClockWorks, The Embedded Control Solutions Company, ETHERSYNCH, Hyper Speed Control, HyperLight Load, IntelliMOS, mTouch, Precision Edge, and QUIET-WIRE are registered trademarks of Microchip Technology Incorporated in the U.S.A.

Analog-for-the-Digital Age, Any Capacitor, AnyIn, AnyOut, BodyCom, chipKIT, chipKIT logo, CodeGuard, dsPICDEM, dsPICDEM.net, Dynamic Average Matching, DAM, ECAN, EtherGREEN, In-Circuit Serial Programming, ICSP, Inter-Chip Connectivity, JitterBlocker, KlearNet, KlearNet logo, MiWi, motorBench, MPASM, MPF, MPLAB Certified logo, MPLIB, MPLINK, MultiTRAK, NetDetach, Omniscient Code Generation, PICDEM, PICDEM.net, PICkit, PICtail, PureSilicon, RightTouch logo, REAL ICE, Ripple Blocker, Serial Quad I/O, SQI, SuperSwitcher, SuperSwitcher II, Total Endurance, TSHARC, USBCheck, VariSense, ViewSpan, WiperLock, Wireless DNA, and ZENA are trademarks of Microchip Technology Incorporated in the U.S.A. and other countries.

SQTP is a service mark of Microchip Technology Incorporated in the U.S.A.

Silicon Storage Technology is a registered trademark of Microchip Technology Inc. in other countries.

GestIC is a registered trademarks of Microchip Technology Germany II GmbH & Co. KG, a subsidiary of Microchip Technology Inc., in other countries.

All other trademarks mentioned herein are property of their respective companies.

© 2005-2016, Microchip Technology Incorporated, Printed in the U.S.A., All Rights Reserved.

ISBN: 9781522408802

**QUALITY MANAGEMENT SYSTEM**  
**CERTIFIED BY DNV**  
**== ISO/TS 16949 ==**

*Microchip received ISO/TS-16949:2009 certification for its worldwide headquarters, design and wafer fabrication facilities in Chandler and Tempe, Arizona; Gresham, Oregon and design centers in California and India. The Company's quality system processes and procedures are for its PIC® MCUs and dsPIC® DSCs, KEELoq® code hopping devices, Serial EEPROMs, microperipherals, nonvolatile memory and analog products. In addition, Microchip's quality system for the design and manufacture of development systems is ISO 9001:2000 certified.*



## Worldwide Sales and Service

### AMERICAS

#### Corporate Office

2355 West Chandler Blvd.  
Chandler, AZ 85224-6199

Tel: 480-792-7200

Fax: 480-792-7277

Technical Support:

[http://www.microchip.com/  
support](http://www.microchip.com/support)

Web Address:

[www.microchip.com](http://www.microchip.com)

#### Atlanta

Duluth, GA

Tel: 678-957-9614

Fax: 678-957-1455

#### Austin, TX

Tel: 512-257-3370

#### Boston

Westborough, MA

Tel: 774-760-0087

Fax: 774-760-0088

#### Chicago

Itasca, IL

Tel: 630-285-0071

Fax: 630-285-0075

#### Cleveland

Independence, OH

Tel: 216-447-0464

Fax: 216-447-0643

#### Dallas

Addison, TX

Tel: 972-818-7423

Fax: 972-818-2924

#### Detroit

Novi, MI

Tel: 248-848-4000

#### Houston, TX

Tel: 281-894-5983

#### Indianapolis

Noblesville, IN

Tel: 317-773-8323

Fax: 317-773-5453

#### Los Angeles

Mission Viejo, CA

Tel: 949-462-9523

Fax: 949-462-9608

#### New York, NY

Tel: 631-435-6000

#### San Jose, CA

Tel: 408-735-9110

#### Canada - Toronto

Tel: 905-695-1980

Fax: 905-695-2078

### ASIA/PACIFIC

#### Asia Pacific Office

Suites 3707-14, 37th Floor  
Tower 6, The Gateway  
Harbour City, Kowloon

#### Hong Kong

Tel: 852-2943-5100

Fax: 852-2401-3431

#### Australia - Sydney

Tel: 61-2-9868-6733

Fax: 61-2-9868-6755

#### China - Beijing

Tel: 86-10-8569-7000

Fax: 86-10-8528-2104

#### China - Chengdu

Tel: 86-28-8665-5511

Fax: 86-28-8665-7889

#### China - Chongqing

Tel: 86-23-8980-9588

Fax: 86-23-8980-9500

#### China - Dongguan

Tel: 86-769-8702-9880

#### China - Guangzhou

Tel: 86-20-8755-8029

#### China - Hangzhou

Tel: 86-571-8792-8115

Fax: 86-571-8792-8116

#### China - Hong Kong SAR

Tel: 852-2943-5100

Fax: 852-2401-3431

#### China - Nanjing

Tel: 86-25-8473-2460

Fax: 86-25-8473-2470

#### China - Qingdao

Tel: 86-532-8502-7355

Fax: 86-532-8502-7205

#### China - Shanghai

Tel: 86-21-5407-5533

Fax: 86-21-5407-5066

#### China - Shenyang

Tel: 86-24-2334-2829

Fax: 86-24-2334-2393

#### China - Shenzhen

Tel: 86-755-8864-2200

Fax: 86-755-8203-1760

#### China - Wuhan

Tel: 86-27-5980-5300

Fax: 86-27-5980-5118

#### China - Xian

Tel: 86-29-8833-7252

Fax: 86-29-8833-7256

### ASIA/PACIFIC

#### China - Xiamen

Tel: 86-592-2388138

Fax: 86-592-2388130

#### China - Zhuhai

Tel: 86-756-3210040

Fax: 86-756-3210049

#### India - Bangalore

Tel: 91-80-3090-4444

Fax: 91-80-3090-4123

#### India - New Delhi

Tel: 91-11-4160-8631

Fax: 91-11-4160-8632

#### India - Pune

Tel: 91-20-3019-1500

#### Japan - Osaka

Tel: 81-6-6152-7160

Fax: 81-6-6152-9310

#### Japan - Tokyo

Tel: 81-3-6880-3770

Fax: 81-3-6880-3771

#### Korea - Daegu

Tel: 82-53-744-4301

Fax: 82-53-744-4302

#### Korea - Seoul

Tel: 82-2-554-7200

Fax: 82-2-558-5932 or

82-2-558-5934

#### Malaysia - Kuala Lumpur

Tel: 60-3-6201-9857

Fax: 60-3-6201-9859

#### Malaysia - Penang

Tel: 60-4-227-8870

Fax: 60-4-227-4068

#### Philippines - Manila

Tel: 63-2-634-9065

Fax: 63-2-634-9069

#### Singapore

Tel: 65-6334-8870

Fax: 65-6334-8850

#### Taiwan - Hsin Chu

Tel: 886-3-5778-366

Fax: 886-3-5770-955

#### Taiwan - Kaohsiung

Tel: 886-7-213-7828

#### Taiwan - Taipei

Tel: 886-2-2508-8600

Fax: 886-2-2508-0102

#### Thailand - Bangkok

Tel: 66-2-694-1351

Fax: 66-2-694-1350

### EUROPE

#### Austria - Wels

Tel: 43-7242-2244-39

Fax: 43-7242-2244-393

#### Denmark - Copenhagen

Tel: 45-4450-2828

Fax: 45-4485-2829

#### France - Paris

Tel: 33-1-69-53-63-20

Fax: 33-1-69-30-90-79

#### Germany - Dusseldorf

Tel: 49-2129-3766400

#### Germany - Karlsruhe

Tel: 49-721-625370

#### Germany - Munich

Tel: 49-89-627-144-0

Fax: 49-89-627-144-44

#### Italy - Milan

Tel: 39-0331-742611

Fax: 39-0331-466781

#### Italy - Venice

Tel: 39-049-7625286

#### Netherlands - Drunen

Tel: 31-416-690399

Fax: 31-416-690340

#### Poland - Warsaw

Tel: 48-22-3325737

#### Spain - Madrid

Tel: 34-91-708-08-90

Fax: 34-91-708-08-91

#### Sweden - Stockholm

Tel: 46-8-5090-4654

#### UK - Wokingham

Tel: 44-118-921-5800

Fax: 44-118-921-5820

06/23/16