

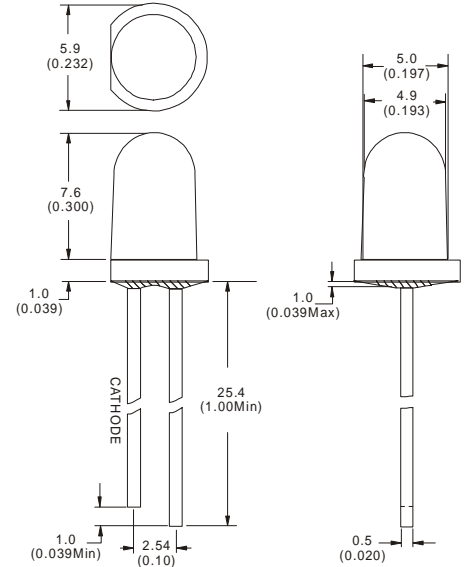
## Φ5MM ROUND TYPE Ultra Brightness White LED

### Features:

- SMALL FLANGE WITHOUT STAND-OFF
- LONG LIFE SOLID STATE RELIABILITY
- LONG LEAD LENGTH (Φ5.4mm)
- VERSATILE MOUNTING ON P.C. BOARD OR PANEL

### Description:

- The shape of this series is round.
- General application is for indication, illumination, etc.
- These LED lamps are available with a choice of different colors: light intensities, epoxy colors, etc.



### ABSOLUTE MAXIMUM RATING:(Ta=25°C)

Parameter	Unit
DC Forward Current	20 mA
Reverse Voltage	5 V
Reverse Current (Vr=5V)	10 μA
Peak Forward Current ,tw ,=1 msec Duty ,=1/20	180 mA
Operation Temperature	-40° ~ +80°
Storage Temperature	-40° ~ +100°
Solder Dip (5 seconds, 1.6mm from body )Temperature	260° ±5°

Part Number	EMITTED COLOR		Lens Color	Color Temperature	Vf (v) Typ	IV (If=20mA) mcd		Viewing Angle 2θ1/2
						Min.	Max.	
L-5013WC	InGaN	Super White	Water Clear	7000K	3.8	2500	4000	15°
L-5013UWC/15-7C	InGaN	Super White	Water Clear	6000K/7500K	3.8	5600	7000	15°
L-5013UWC/15-10C	InGaN	Super White	Water Clear	6000K/7500K	3.8	8500	10000	15°
L-5013UWC/20-7C	InGaN	Super White	Water Clear	6000K/7500K	3.8	5600	7000	18°
L-5013UWC/20-10C	InGaN	Super White	Water Clear	6000K/7500K	3.8	8500	10000	18°
L-5013UWC/20-15C	InGaN	Super White	Water Clear	6000K/7500K	3.8	10000	15000	18°
L-5013UWC/50	InGaN	Super White	Water Clear	6000K/7500K	3.8	3700	4900	30°
L-5013UWC/60	InGaN	Super White	Water Clear	6000K/7500K	3.8	2000	3000	50°
L-5023UWC-7C	InGaN	Super White	Water Clear	6000K/7500K	3.8	6500	7000	18°
L-5023UWC-10C	InGaN	Super White	Water Clear	6000K/7500K	3.8	8500	10000	18°
L-5023UWC-15C	InGaN	Super White	Water Clear	6000K/7500K	3.8	10000	15000	18°

Remark: 6000K = Warm white

7500K = Cool White