

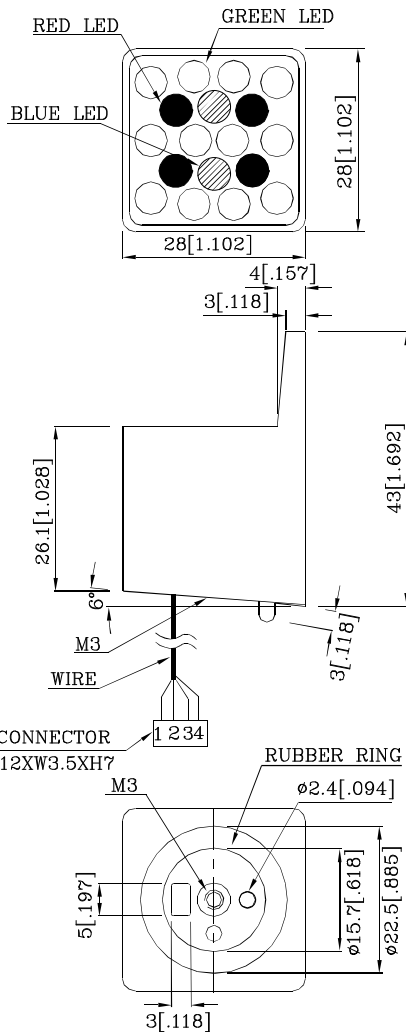
PRELIMINARY SPEC



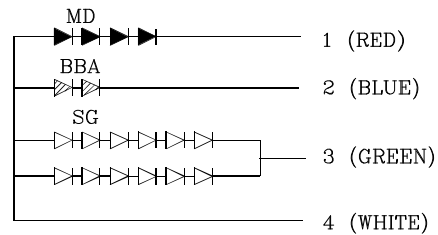
**ATTENTION**  
OBSERVE PRECAUTIONS  
FOR HANDLING  
ELECTROSTATIC  
DISCHARGE  
SENSITIVE  
DEVICES

**Features**

- HIGH VISIBILITY.
- WATER PROOF PACKAGE WITH HOOD SUITABLE FOR OUTDOOR AND INDOOR INFORMATION BOARDS.
- CAN PRODUCE ANY COLOR IN VISIBLE SPECTRUM, INCLUDING WHITE LIGHT.
- RoHS COMPLIANT.



LMD17W-11.7x4PCS  
LBBA17W-11.7x2PCS  
LSG17W-11.7x12PCS



Notes:

1. All dimensions are in millimeters (inches).
2. Tolerance is  $\pm 0.25(0.01)$  unless otherwise noted.
3. Specifications are subject to change without notice.



**Electrical / Optical Characteristics at TA=25°C**

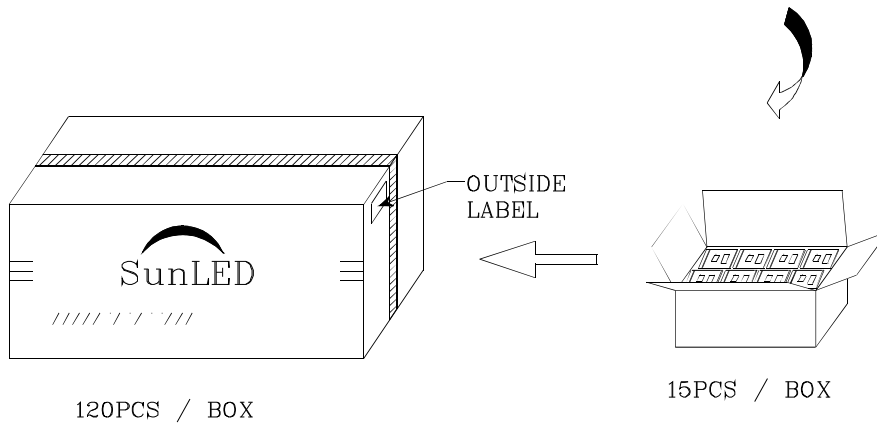
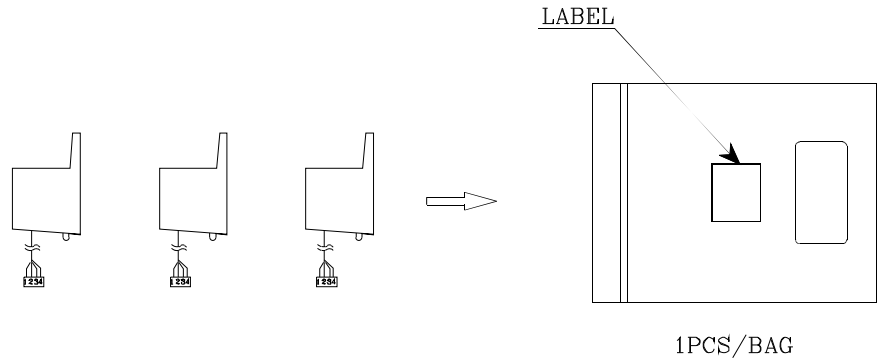
Symbol	Parameter	Device	Wafer	Min.	Typ.	Max.	Units	Test Conditions	
Iv	Luminous Intensity	K4MD2BBA12SGW85	MD BBA SG	480 280 110	1095 647 297	-	med	IF=20mA IF=20mA IF=40mA	
2θ1/2	Viewing Angle		MD BBA SG	-	40	-	deg	-	
V <sub>F</sub>	Forward Voltage		MD BBA SG	-	7.6 6.4 12.6	10 8 15	V	IF=20mA IF=20mA IF=40mA	
λ <sub>P</sub>	Peak Wavelength		MD BBA SG	-	640 468 574	-	nm	IF=20mA IF=20mA IF=40mA	
λ <sub>D</sub>	Dominate Wavelength		MD BBA SG	-	628 470 568	-	nm	IF=20mA IF=20mA IF=40mA	
Δλ <sub>1/2</sub>	Spectral Line Half-width		MD BBA SG	-	27 21 26	-	nm	IF=20mA IF=20mA IF=40mA	
I <sub>R</sub>	Reverse Current				-	-	40	uA	V <sub>R</sub> = 5V

**Absolute Maximum Ratings at TA=25°C**

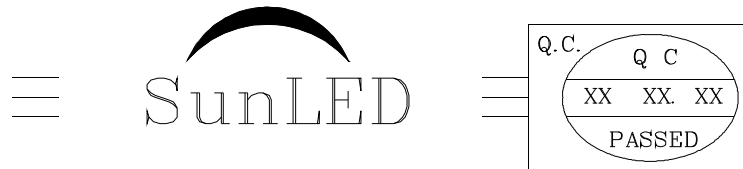
Parameter	Type		Units
Total Power dissipation	MD	1200	mW
	BBA		
	SG		
DC Forward Current	MD	25	mA
	BBA	25	
	SG	50	
Reverse Voltage	5		V
Operating Temperature	-40 To +70		°C
Storage Temperature	-40 To +85		°C

**PACKING & LABEL SPECIFICATIONS**

**K4MD2BBA12SGW85**



www.DataSheet4U.com



P/NO : Kxxx	
QTY : 1pcs	CODE: XXX
S/N : XX	
LOT NO:	
 xxxxxxxxxxxxxxxxxxxxxxxx	
RoHS Compliant	