



天鈺科技股份有限公司

*Fitipower Integrated Technology Inc.*

# JD9365D

## Data Sheet

800RGB x 1280 dot, 16.7M color,  
without internal GRAM, a-Si TFT LCD Single Chip Driver

Version 1.05  
2019/6/27

## Index list:

1.	Revision History .....	13
2.	General Description.....	14
3.	Features.....	15
3.1.	Display .....	15
3.2.	Display interface.....	15
3.3.	Input voltage ranges.....	15
3.4.	Output voltage ranges.....	15
3.5.	Miscellaneous of chip.....	16
4.	Device Overview.....	17
4.1.	Device Block Diagram .....	17
4.2.	LCD power generation scheme (DC/DC Converter) .....	18
4.3.	Output voltage range .....	19
4.4.	DC/DC converter circuit.....	20
4.4.1.	External power mode 1 (External AVDD/AVEE/VGH/VGL power) .....	20
4.4.2.	External power mode 2 (External AVDD/AVEE power).....	21
4.4.3.	DC/DC power mode 1 (AVDD/AVEE PFM1 controlled by driver ic) .....	22
4.4.4.	DC/DC power mode 2 (AVDD/AVEE PFM2 controlled by driver ic) .....	23
4.4.5.	DC/DC power mode 3 (AVDD/AVEE PFM3 controlled by driver ic) .....	24
4.4.6.	DC/DC power mode 4 (AVDD/AVEE with JD5001 controlled by driver ic).....	25
4.5.	External Components Connection.....	26
4.5.1.	External power mode 1 (External AVDD/AVEE/VGH and VGL power).....	26
4.5.2.	External power mode 1 (External AVDD and AVEE power) .....	27
4.5.3.	DC/DC power mode 1 (AVDD/AVEE PFM1 controlled by driver ic) .....	28
4.5.4.	DC/DC power mode 2 (AVDD/AVEE PFM2 controlled by driver ic) .....	29
4.5.5.	DC/DC power mode 3 (AVDD/AVEE PFM3 controlled by driver ic) .....	30
4.5.6.	DC/DC power mode 4 (AVDD/AVEE with JD5001 controlled by driver ic).....	31
5.	Maximum layout resistance .....	32
6.	Pin description.....	33

7.	Interface .....	38
7.1.	DSI system interface .....	38
7.1.1.	Command mode, Video mode and Virtual Channel .....	41
7.1.2.	Power-up Sequence Example .....	43
7.1.3.	DSI Format .....	44
7.1.4.	DSI Protocol .....	46
7.1.4.1.	Multiple Packets per Transmission .....	46
7.1.4.2.	Endian Policy .....	48
7.1.4.3.	Packet Structure .....	49
7.1.4.3.1.	Long Packet .....	50
7.1.4.3.2.	Short Packet .....	52
7.1.5.	Common Packet Elements .....	53
7.1.5.1.	Data Identifier Byte .....	53
7.1.5.2.	Virtual Channel Identifier – VC field, DI[7:6] .....	53
7.1.5.3.	Data Type Field DT[5:0] .....	53
7.1.5.4.	ECC .....	54
7.1.6.	DSI packet .....	55
7.1.6.1.	Processor-sourced Packets .....	55
7.1.6.2.	Packed Pixel Stream, 16-bit Format, Long Packet .....	56
7.1.6.3.	Packed Pixel Stream, 18-bit Format, Long Packet .....	57
7.1.6.4.	Pixel Stream, 18-bit Loosely Format, Long Packet .....	58
7.1.6.5.	Packed Pixel Stream, 24-bit Format, Long Packet .....	59
7.1.7.	Peripheral to Processor Transmission .....	60
7.1.7.1.	Appropriate Responses to Commands and ACK Requests .....	61
7.1.7.2.	Peripheral-to-Processor Packet Description .....	62
7.1.8.	Format of Acknowledge and Error Report and Read Response Data Type .....	63
7.1.9.	Video Mode Interface Timing .....	65
7.1.9.1.	Transmission Packet Sequences .....	65
7.1.9.2.	Non-Burst sync pulse mode .....	67
7.1.9.3.	Non-Burst sync event mode .....	68

7.1.9.4.	Burst mode .....	69
7.1.10.	Error-Correcting Code and Checksum .....	70
7.1.10.1.	Error-Correcting Code(ECC).....	70
7.1.10.2.	Checksum Generation for Long Packet Payloads.....	71
7.1.11.	DPHY .....	72
7.1.11.1.	Lane Module.....	72
7.1.11.1.1.	Lane Module Type of Clock Lane, Data0, Data1 and Data2 .....	72
7.1.11.2.	Master and Slave .....	73
7.1.11.3.	Lane States and Line Levels .....	73
7.1.11.4.	Bi-directional Data Lane Turnaround .....	74
7.1.11.5.	Escape Mode .....	75
7.1.11.5.1.	Remote Trigger .....	76
7.1.11.5.2.	Low-Power Data Transmission(LPDT).....	76
7.1.11.5.3.	Ultra-Low Power State(ULPS).....	76
7.1.11.5.4.	TE Trigger.....	76
7.1.12.	High Speed Transmission.....	79
7.1.12.1.	Burst Payload Data .....	79
7.1.12.2.	Start-of-Transmission .....	79
7.1.12.3.	End-of-Transmission.....	80
7.1.12.4.	High Speed Data Transmission .....	81
7.1.12.5.	High Speed Clock Transmission .....	81
7.1.13.	System Power state .....	82
7.1.13.1.	Initialization .....	82
7.1.13.2.	Global Operation Flow Diagram.....	82
8.	Gamma Structure Description.....	84
8.1.	Adjustable gamma characteristic .....	84
8.2.	Grayscale-Level adjustment control.....	85
8.2.1.	Variable resistor ratio & Voltage levels.....	87
9.	Function Description .....	106
9.1.	Tearing effect Line .....	106

9.1.1.	Tearing effect Line mode.....	106
9.1.2.	Tearing effect line timing .....	108
9.2.	Oscillator.....	109
9.3.	Output pins Characteristics .....	110
9.4.	Self-diagnostic Functions.....	111
9.4.1.	Register loading detection .....	111
9.4.2.	Functionality Detection .....	112
9.5.	Power on/off sequence .....	113
9.5.1.	General .....	113
9.5.2.	Power on sequence for differential power mode .....	114
9.5.3.	Power off sequence for differential power mode.....	116
9.6.	Uncontrolled power off.....	120
9.7.	Content adaptive brightness control (CABC) function .....	121
9.7.1.	Definition of the CABC.....	121
9.7.2.	Transition Time of the CABC.....	122
9.7.3.	Minimum brightness setting of CABC function .....	125
10.	Command .....	126
10.1.	Command List.....	126
10.1.1.	Standard command .....	126
10.1.2.	Standard Command Accessibility .....	129
10.1.3.	Standard Command Default Modes and Values .....	130
10.2.	Command Description.....	131
10.2.1.	NOP (00h) .....	131
10.2.2.	SWRESET: Software Reset (01h).....	132
10.2.3.	RDDIDIF: Read Display Identification Information (04h).....	133
10.2.4.	RDNUMPE: Read number of the parity errors (05h) .....	134
10.2.5.	REDRD: Read Red Color (06h) .....	135
10.2.6.	REDGREEN: Read Green Color (07h) .....	136
10.2.7.	REDBLUE: Read Blue Color (08h).....	137
10.2.8.	RDDST: Read Display Status (09h) .....	138

10.2.9.	RDDPM: Read Display Power Mode (0Ah) .....	140
10.2.10.	RDDMATCDL: Read Display MADCTL (0Bh) .....	141
10.2.11.	RDDCOLMOD: Read Display COLMOD (0Ch) .....	142
10.2.12.	Read Display Image Mode (0Dh) .....	143
10.2.13.	RDDSM: Read Display Signal Mode (0Eh) .....	144
10.2.14.	RDDSDR: Read Display Self-Diagnostic Result (0Fh) .....	145
10.2.15.	SLPIN: Enter Sleep In Mode (10h) .....	146
10.2.16.	SLPOUT: Exit Sleep In Mode (11h) .....	147
10.2.17.	NORON: Enter Normal Mode (13h) .....	148
10.2.18.	INVOFF: Display Inversion Off (20h) .....	149
10.2.19.	INVON: Display Inversion On (21h) .....	150
10.2.20.	ALLPOFF: All Pixel Off (22h) .....	151
10.2.21.	ALLPON: All Pixel On (23h) .....	152
10.2.22.	GAMSET: Gamma Set (26h) .....	153
10.2.23.	DISPOFF: Display Off (28h) .....	154
10.2.24.	DISPON: Display On (29h) .....	155
10.2.25.	TEOFF: Tearing Effect Line OFF (34h) .....	156
10.2.26.	TEON: Tearing Effect Line ON (35h) .....	157
10.2.27.	MADCTL: Memory Access Control(36h) .....	158
10.2.28.	IDMOFF: Idle Mode Off (38h) .....	160
10.2.29.	IDMON: Idle Mode On (39h) .....	161
10.2.30.	COLMOD: Interface Pixel Format (3Ah) .....	162
10.2.31.	Write Memory Continue (3Ch) .....	163
10.2.32.	RAMRDCON: Read Memory Continue (3Eh) .....	164
10.2.33.	TESL: Set Tear Effect Scanline (44h) .....	165
10.2.34.	GETSCAN: Get the Current Scanline (45h) .....	166
10.2.35.	WRDISBV: Write Display Brightness (51h) .....	167
10.2.36.	RDDISBV: Read Display Brightness Value (52h) .....	168
10.2.37.	WRCTRLD: Write CTRL Display (53h) .....	169
10.2.38.	RDCTRLD: Read CTRL Value Display (54h) .....	170

10.2.39.	WRCABC: Write Content Adaptive Brightness Control (55h).....	171
10.2.40.	RDCABC: Read Content Adaptive Brightness Control (56h).....	174
10.2.41.	WRCABCMB: Write CABC Minimum Brightness (5Eh) .....	177
10.2.42.	RDCABCMB: Read CABC Minimum Brightness (5Fh) .....	178
10.2.43.	RDDDB: Read DDB Start (A1h).....	179
10.2.44.	RDDDBCON: Read DDB Continue (A8h) .....	181
10.2.45.	RDFCS: Read First Checksum (AAh) .....	182
10.2.46.	RDCCS: Read Continue Checksum (AFh) .....	183
10.2.47.	RDID1: Read ID1 (DAh) .....	184
10.2.48.	RDID2: Read ID2 (DBh) .....	185
10.2.49.	RDID3: Read ID3 (DCh) .....	186
11.	Electrical Specifications .....	187
11.1.	Absolute maximum ratings .....	187
11.2.	DC characteristics .....	188
11.3.	AC characteristics .....	189
11.3.1.	Reset input timings.....	189
11.3.2.	DSI D-PHY electronic characteristics .....	190
11.3.3.	Timings for DSI Video mode .....	200
12.	Chip information.....	204
12.1.	PAD assignment.....	204
13.	Ordering Information .....	205

**Figure list:**

Figure 4.1: LCD power generation scheme .....	18
Figure 4.2: External power source(AVDD/AVEE/VGH/VGL).....	20
Figure 4.3: External power source(AVDD/AVEE).....	21
Figure 4.4: DC/DC converter circuit of internal PFM1.....	22
Figure 4.5: DC/DC converter circuit of Internal PFM2 .....	23
Figure 4.6: DC/DC converter circuit of internal PFM3.....	24
Figure 4.7: DC/DC power(AVDD/AVEE) with JD5001(TDFN-12).....	25
Figure 7.1: DSI transmitter and receiver interface.....	38
Figure 7.2: DSI Layer.....	39
Figure 7.3: Peripheral Power-Up Sequencing Example.....	43
Figure 7.4: Basic HS Transmission Structure .....	44
Figure 7.5: Two Lane HS Transmission Example .....	45
Figure 7.6: Three Lane HS Transmission Example.....	45
Figure 7.7: HS Transmission Examples with EoTp disabled.....	47
Figure 7.8: HS Transmission Examples with EoTp enabled .....	47
Figure 7.9: Endian Example (Long Packet) .....	48
Figure 7.10: Long Packet Structure .....	50
Figure 7.11: Short Packet Structure .....	52
Figure 7.12: Data Identifier Byte .....	53
Figure 7.13: 16-bit per Pixel – RGB Color Format, Long Packet .....	56
Figure 7.14: 18-bit per Pixel (Packed) – RGB Color Format, Long Packet .....	57
Figure 7.15: 18-bit per Pixel (Loosely Packed) – RGB Color Format, Long Packet .....	58
Figure 7.16: 24-bit per Pixel – RGB Color Format, Long Packet .....	59
Figure 7.17: Video Mode Interface Timing Legend.....	66
Figure 7.18: Video Mode Interface Timing: Non-Burst Transmission with Sync Start and End.....	67
Figure 7.19: Video Mode Interface Timing: Non-burst Transmission with Sync Events.....	68
Figure 7.20: Video Mode Interface Timing: Burst Transmission .....	69
Figure 7.21: 24-bit ECC generation Example.....	70



Figure 7.22: Checksum Transmission .....	71
Figure 7.23: 16-bit CRC Generation Using a Shift Register .....	71
Figure 7.24: Lane Module Type .....	72
Figure 7.25: Line Levels .....	73
Figure 7.26: Turnaround Procedure .....	74
Figure 7.27: Trigger-Reset Command in Escape Mode .....	75
Figure 7.28: Two Data Byte Low-Power Data Transmission Example .....	76
Figure 7.29: High-Speed Data Transmission in Bursts .....	81
Figure 7.30: Switching the Clock Lane between Clock Transmission and Low-Power Mode .....	81
Figure 7.31: Data Lane Module State Diagram .....	82
Figure 7.32: Clock Lane Module State Diagram .....	83
Figure 8.1: Grayscale control .....	84
Figure 8.2: Gamma resister stream and gamma reference voltage .....	86
Figure 9.1: Tearing Effect Line mode 1 .....	106
Figure 9.2: TE Line Delay under mode 1 .....	106
Figure 9.3: Tearing Effect Line mode 2 .....	107
Figure 9.4: TE Line Output for TELINE setting .....	107
Figure 9.5: Tearing Effect Line Output signal .....	107
Figure 9.6: Tearing Effect Line timing .....	108
Figure 9.7: Tearing Effect Line definition of $t_f$ , $t_r$ .....	108
Figure 9.8: Register loading detection flow chart .....	111
Figure 9.9: Functionality detection flow chart .....	112
Figure 9.10: Power off sequence for differential power mode .....	115
Figure 9.11: Power off sequence for differential power mode .....	119
Figure 9.12: Transition Time on Content Adaptive Brightness Control .....	122
Figure 9.13: Transition Time on Manual Setting .....	123
Figure 9.14: Transition Time on Combined Display Brightness .....	124
Figure 11.1: Reset input timings .....	189
Figure 11.2: Electronic functions of a D-PHY transceiver .....	190
Figure 11.3: HS and LP signal levels .....	190

---

Figure 11.4: Input Glitch Rejections of Low-Power Receivers ..... 192

Figure 11.5: DDR Clock Definition ..... 195

Figure 11.6: Data to Clock Timing Definitions ..... 196

Figure 11.7: High-Speed Data Transmission in Bursts..... 198

Figure 11.8: Switching the Clock Lane between Clock Transmission and Low-Power Mode ..... 199

Figure 11.9: Vertical Timings for DPI I/F..... 200

Figure 11.10: Horizontal Timing for DSI Video mode I/F..... 202

fitipower Confidential

**Table list:**

Table 4.1: Voltage configuration .....	19
Table 5.1: Maximum Layout Resistance .....	32
Table 7.1: Data Types for supported Processor-sourced Packets .....	55
Table 7.2: Data Types for Peripheral-sourced Packets .....	62
Table 7.3: Error Report Bit Definitions .....	64
Table 7.4: Lane State Descriptions .....	74
Table 7.5: Escape Entry Codes .....	75
Table 7.6: Start-of-Transmission Sequence .....	79
Table 7.7: End-of-Transmission Sequence .....	80
Table 8.1: Gamma-Adjustment registers .....	85
Table 8.2: VOP15~18 .....	88
Table 8.3: VOP13/VOP14 .....	89
Table 8.4: VOP11/VOP12 .....	90
Table 8.5: VOP10 .....	91
Table 8.6: VOP9 .....	92
Table 8.7: VOP8 .....	93
Table 8.8: VOP6/ VOP7 .....	94
Table 8.9: VOP4/ VOP5 .....	95
Table 8.10: VOP0~3 .....	96
Table 8.11: VON15~18 .....	97
Table 8.12: VON13/VON14 .....	98
Table 8.13: VON11/VON12 .....	99
Table 8.14: VON10 .....	100
Table 8.15: VON9 .....	101
Table 8.16: VON8 .....	102
Table 8.17: VON6/ VON7 .....	103
Table 8.18: VON4/ VON5 .....	104
Table 8.19: VON0~3 .....	105

Table 9.1: AC characteristics of Tearing Effect Line .....	108
Table 9.2: Output and I/O pins Characteristics .....	110
Table 9.3: Display Output Brightness Calculations.....	123
Table 9.4: Minimum Brightness Setting of the CAB Function - Example .....	125
Table 10.1: Standard command list.....	128
Table 10.2: Standard Command Accessibility .....	129
Table 10.3: Standard Command Default Modes and Value .....	130
Table 11.1: Absolute maximum ratings.....	187
Table 11.2: DC characteristic.....	188
Table 11.3: Reset timings .....	189
Table 11.4: LP-TX DC Specifications .....	191
Table 11.5: LP-TX AC Specifications.....	191
Table 11.6: LP-RX DC Specifications .....	192
Table 11.7: LP-RX AC Specifications .....	192
Table 11.8: Contention Detector DC Specifications .....	193
Table 11.9: HS Receiver DC Specifications .....	194
Table 11.10: HS Receiver AC Specifications .....	194
Table 11.11: Reverse HS Data Transmission Timing Parameters .....	196
Table 11.12: Data to Clock Timing Specifications.....	197
Table 11.13: Vertical Timings for RGB I/F.....	201
Table 11.14: Horizontal Timings for DSI Video mode I/F .....	203

## 1. Revision History

Version	Date	Description of modification
0.00	2016/11/24	New setup
0.01	2017/04/27	1. Modify BOOSTM[1:0]=2'b01 power mode description
1.00	2017/08/24	1. Update Cover Logo 2. Update power on sequence, add power ramp limitation.(P.114-116) 3. Remove Pad Location and Alignment Mark information.
1.01	2017/09/20	1. Add Reset input timing description(P.186)
1.02	2017/12/05	1. Modify power sequence description(P.113)
1.03	2018/04/30	1. Update 750RGB type1 source mapping typo(P.34). 2. Update power on /off sequence (P.114-119)
1.04	2019/6/24	1. Update Horizontal timing, remove horizontal porch max limitation (P.202,203).
1.05	2019/6/27	1. Remove TP_EN/SC_CLK1 (P.34) 2. Rename VSYNC1/VSYNC2 as DUMMY pins, and update description.(P.34)

## 2. General Description

The JD9365D supports WXGA resolution driving controller. The JD9365D is designed to provide a single-chip solution that combines a source driver, gate driver control, power supply circuit to drive a-Si TFT dot matrix LCD with 800RGBx1280 dots at maximum.

The JD9365D can be operated in low-voltage condition for the interface and integrated internal boosters that produce the liquid crystal voltage and the voltage follower circuit for liquid crystal driver. In addition, The JD9365D also supports various driving functions to reduce the power consumption of a LCD system via software control.

The JD9365D is suitable for any small portable battery-driven and long-term driving products, such as Tablet, digital cellular phones and bi-directional pagers.

fitipower Confidential

## 3. Features

### 3.1. Display

- Single chip solution for a WXGA a-Si type LCD display
- Resolution:
  - 800RGB x LN\*2
  - 768RGB x LN\*2
  - 750RGB x LN\*2
  - 720RGB x LN\*2
  - 640RGB x LN\*2
  - 600RGB x LN\*2
- Display color modes
  - Full color mode:
    - 16.7M colours (24-bit 8(R):8(G):8(B))
  - Reduce color mode:
    - 262k colours (18-bit 6(R):6(G):6(B))
    - 65k colours (16-bit 5(R):6(G):5(B))
    - 8 colors (Idle mode on): 8 colors (3-bit binary mode)

### 3.2. Display interface

- Display interface types supported
  - MIPI-DSI (Display Serial Interface) interface
    - Support DSI Version 1.1
    - Support D-PHY version 1.00

### 3.3. Input voltage ranges

- I/O and interface power supply (IOVCC): 1.65V to 3.3V
- High speed interface power supply (VCCH): 1.65V to 3.3V
- Digital power supply (VCCD): 1.65V to 3.3V
- When BOOSTM="00", "01" (AVDD, AVEE is external power mode)
  - Analog power supply (VCI): 2.5V to 6.0V
  - DC/DC set-up supply (VCIP): 2.5V to 6.0V
- When BOOSTM="10" (AVDD, AVEE is internal DC/DC converter mode)
  - Analog power supply (VCI): 2.5V to 4.8V
  - DC/DC set-up supply (VCIP): 2.5V to 4.8V
- OTP programming voltage (VPP): 7.5V ± 0.2V
- Analog volatge range for AVDD to VSSP: 4.5V ~ 6.3V
- Analog volatge range for AVEE to VSSP: -4.5V ~ -6.3V
- Analog volatge frange for VCL to VSSP: -2.5V ~ -3.9V
- Analog volatge range for VGH to VSSP: 7V ~ 20V
- Analog volatge range for VGL to VSSP: -7V ~ -15V

### 3.4. Output voltage ranges

- On module DC/DC converter
  - AVDD= +4.5V to +6.3V
  - AVEE= -4.5V to -6.3V

- 
- Positive source output voltage level: VGMP= +3.0V to 5.8V
  - Negative source output voltage level: VGMIN= -3.0V to -5.8V
  - Positive gate driver output voltage level: VGH= 7 to 20V
  - Negative gate driver output voltage level: VGL=-7V to -15V
  - VCOM=-4.0V to 0V, a step=10mv

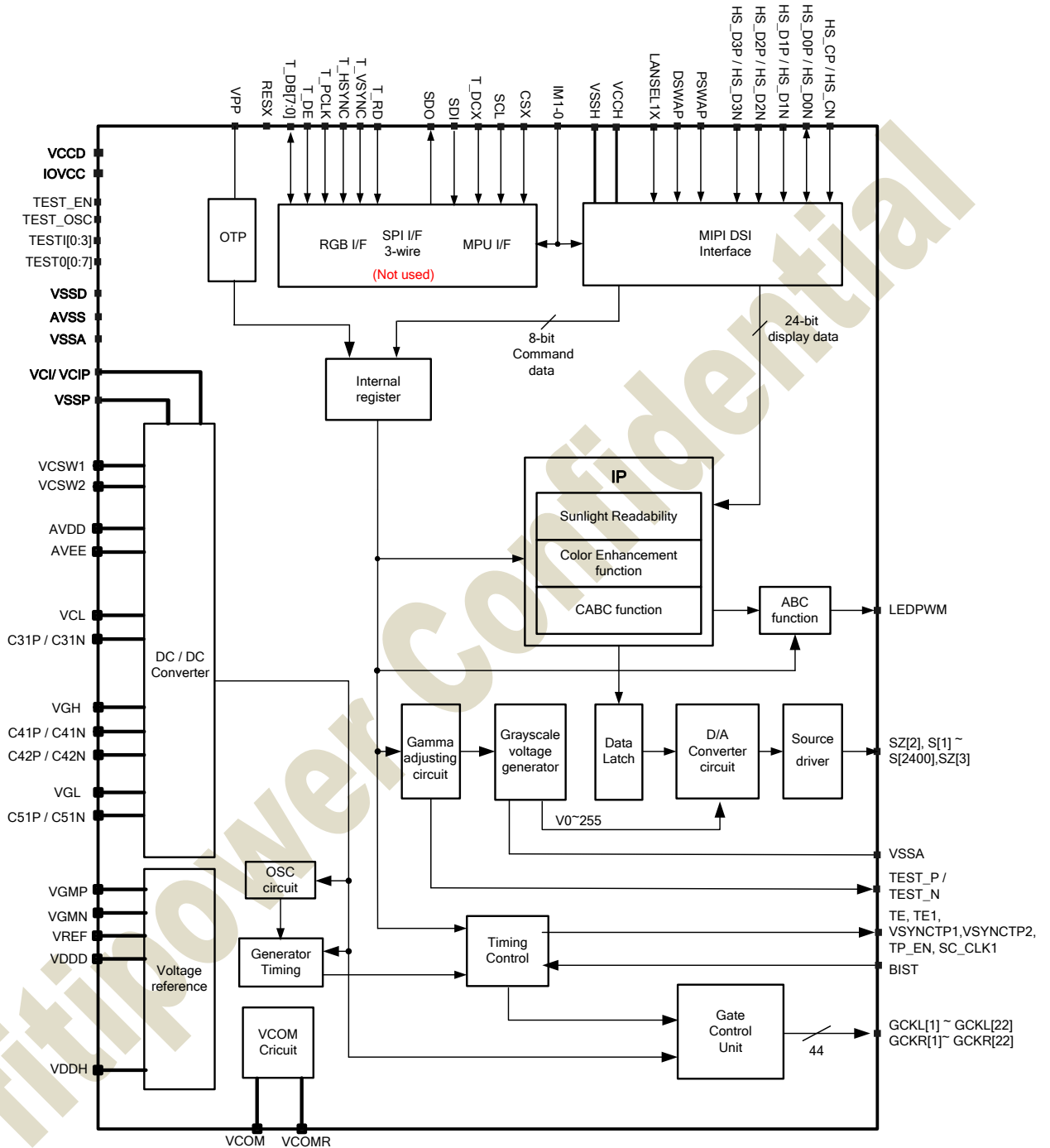
### 3.5. Miscellaneous of chip

- Internal level shifter for Gate Driver control
- Supports column / 1-dot / 2-dot / 4-dot / Z inversion
- Gamma correction (1 preset gamma curve)
- Internal Oscillator generation
- CMOS compatible inputs
- Proprietary multi phase driving for lower power consumption
- GAS function for preventing image sticking when abnormal power off
- Temperature range: -40 to +85 °C
- On-chip OTP program voltage generator
- OTP memory to store initialization register settings
- 3 times OTP for Gamma setting, 1 time OTP for DGC setting
- 5 times OTP for VCOM normal / reverse setting
- 4 times OTP for ID setting
- Support CABC (Content Adaptive Brightness Control) function
- Support Color enhancement
- Support Sunlight Readability Enhancement (SRE)
- Support Temperature sensor function.
- Support Interlace inversion.



## 4. Device Overview

### 4.1. Device Block Diagram



4.2. LCD power generation scheme (DC/DC Converter)

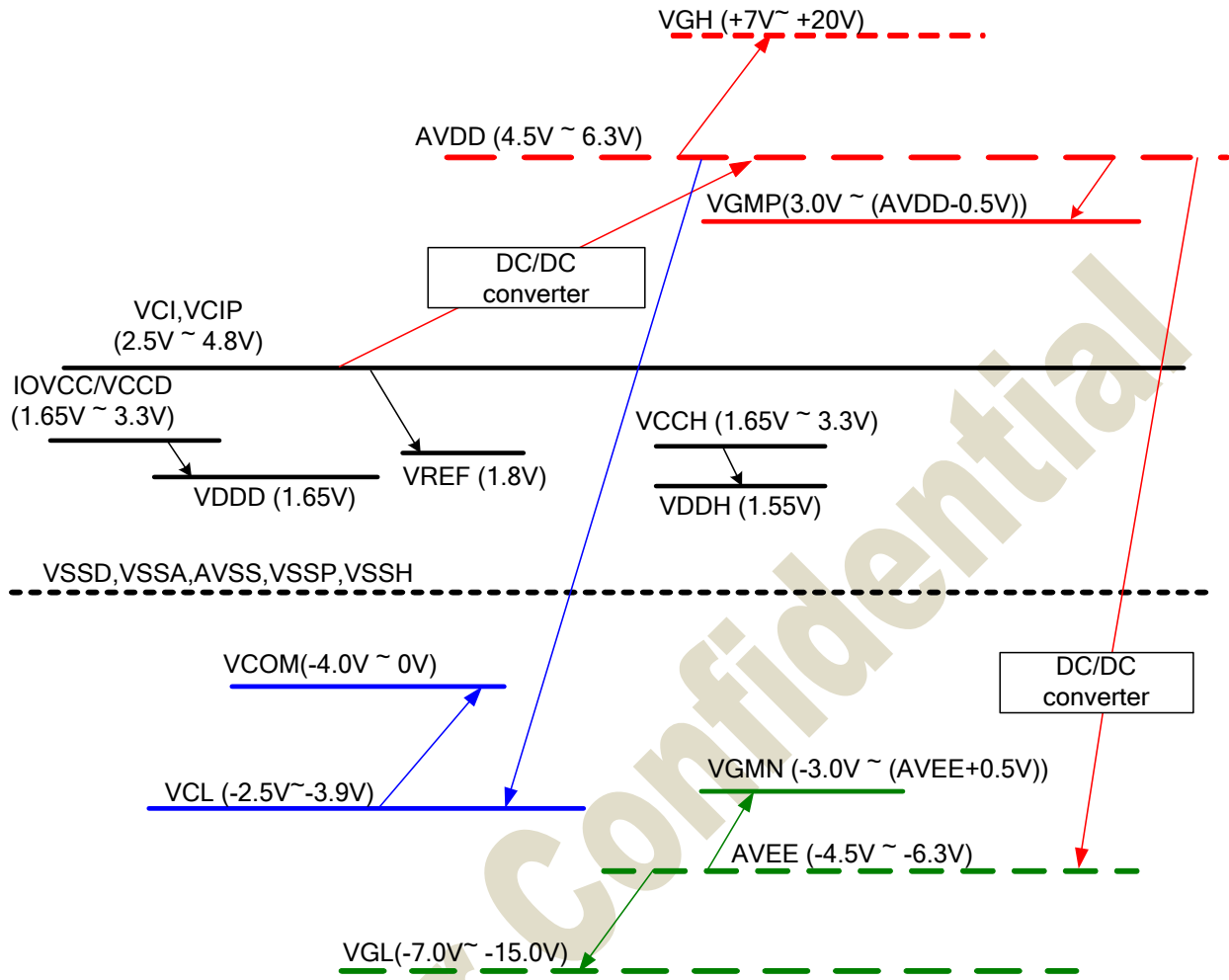


Figure 4.1: LCD power generation scheme

### 4.3. Output voltage range

JD9365D generates corresponding voltage with a-Si LCD panel by internal power supply circuit. Please set up each voltage output according to the LCD panel.

Name	Function	Set up value	Note
VREF	Reference voltage	+1.8V	-
AVDD	DC/DC converter circuit output	+4.5V ~ +6.3V	Do not exceed 6.3V
AVEE	DC/DC converter circuit output	-4.5V ~ -6.3V	Do not exceed -6.3V
VGMP	Reference voltage for gamma circuit	+3.0V ~ (AVDD – 0.5V)	Reference register
VGMN	Reference voltage for gamma circuit	-3.0V ~ (AVEE + 0.5V)	Reference register
VGH	Positive gate driver output voltage level	+7V ~+20V	Depend on AVDD & AVEE
VGL	Negative gate driver output voltage level	-7V ~ -15V	Depend on AVDD & AVEE
VCL	DC/DC converter circuit output	-2.5V ~ -3.9V	-
VCOM	VCOM DC voltage	0V ~ -4.0V	
VDDH	Analog power for High speed interface circuit	1.55V	-
VDDD	Digital power for internal digital circuit.	1.65V	-

Table 4.1: Voltage configuration

4.4. DC/DC converter circuit

4.4.1. External power mode 1 (External AVDD/AVEE/VGH/VGL power)

IOVCC=VCCD=VCCH=1.65~3.3V, VCI=VCIP=2.5~6.0V. Use external power to AVDD, AVEE, VGH and VGL.

BOOSTM[1:0]=2'b00, DCDCM[3:0]=1111

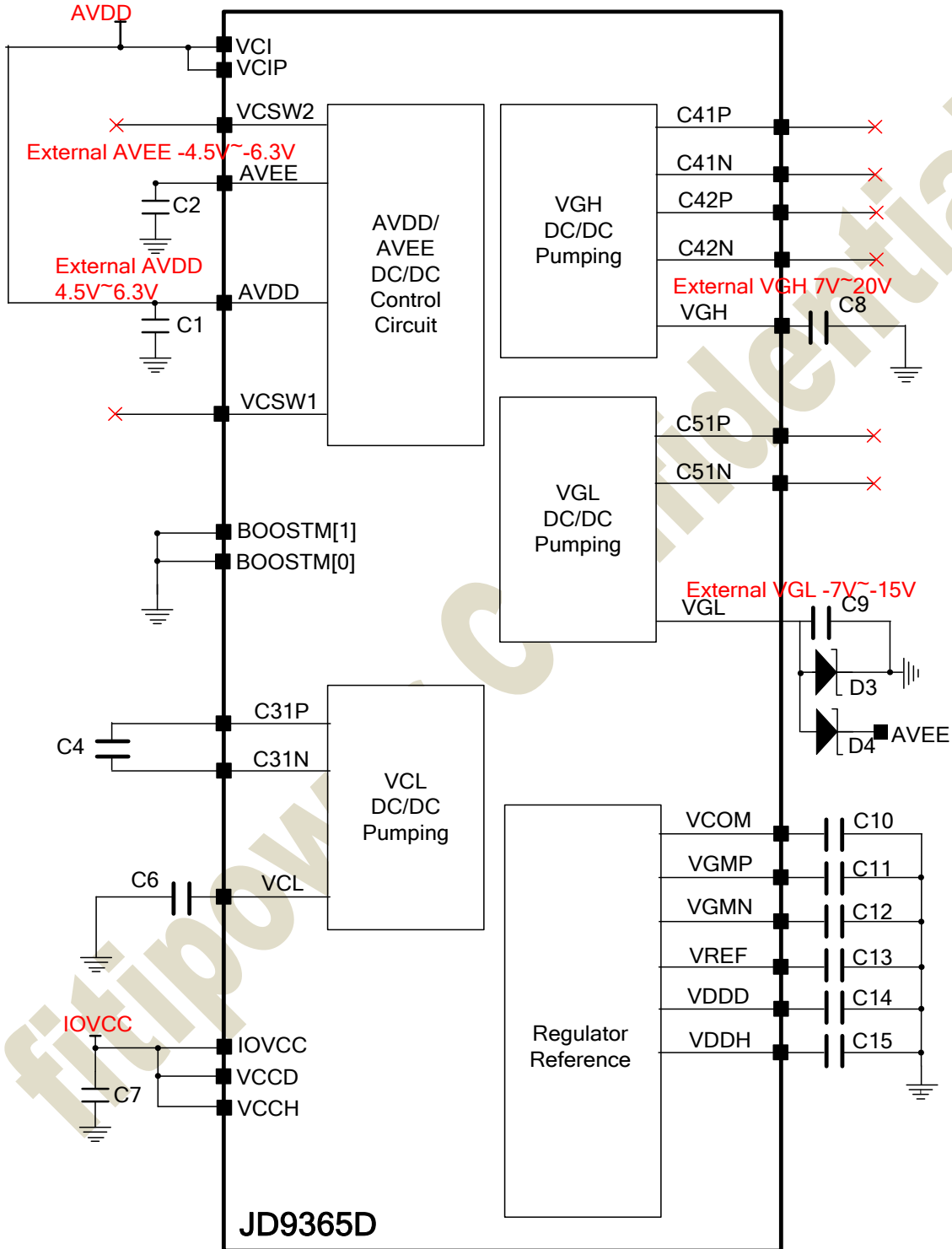


Figure 4.2: External power source(AVDD/AVEE/VGH/VGL)

4.4.2. External power mode 2 (External AVDD/AVEE power)

IOVCC=VCCD=VCCH=1.65~3.3V, VCI=VCIP=2.5~6.0V. Use external power to AVDD and AVEE.

BOOSTM[1:0]=2'b01,2'b11, DCDCM[3:0]=1111

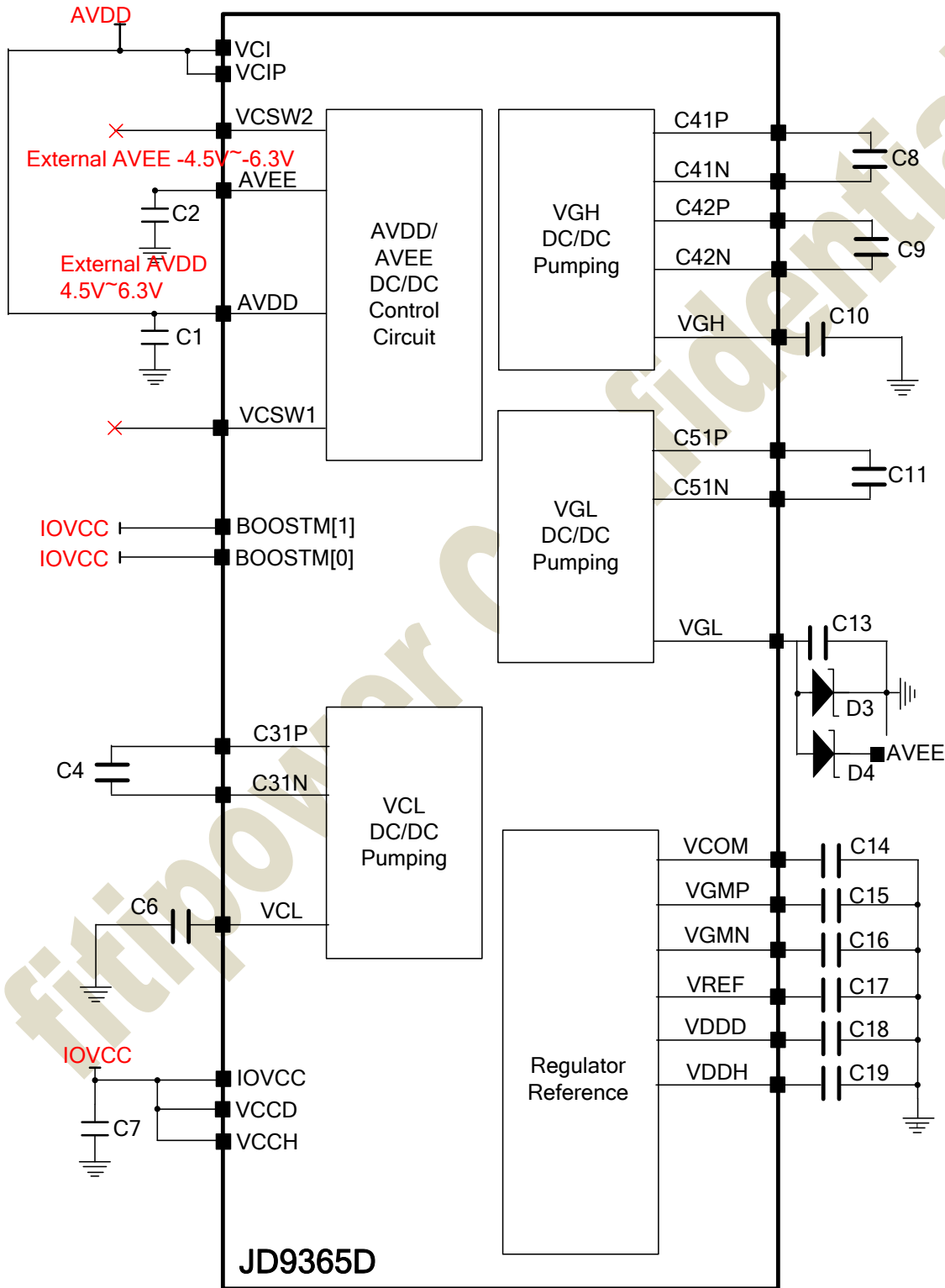


Figure 4.3: External power source(AVDD/AVEE)

4.4.3. DC/DC power mode 1 (AVDD/AVEE PFM1 controlled by driver ic)

IOVCC=VCCD=VCCH=1.65~3.3V, VCI=VCIP=2.5~4.8V. Use PFM1 circuit to generate AVDD and AVEE.

BOOSTM[1:0]=2'b10, DCDCM[3:0]=0100

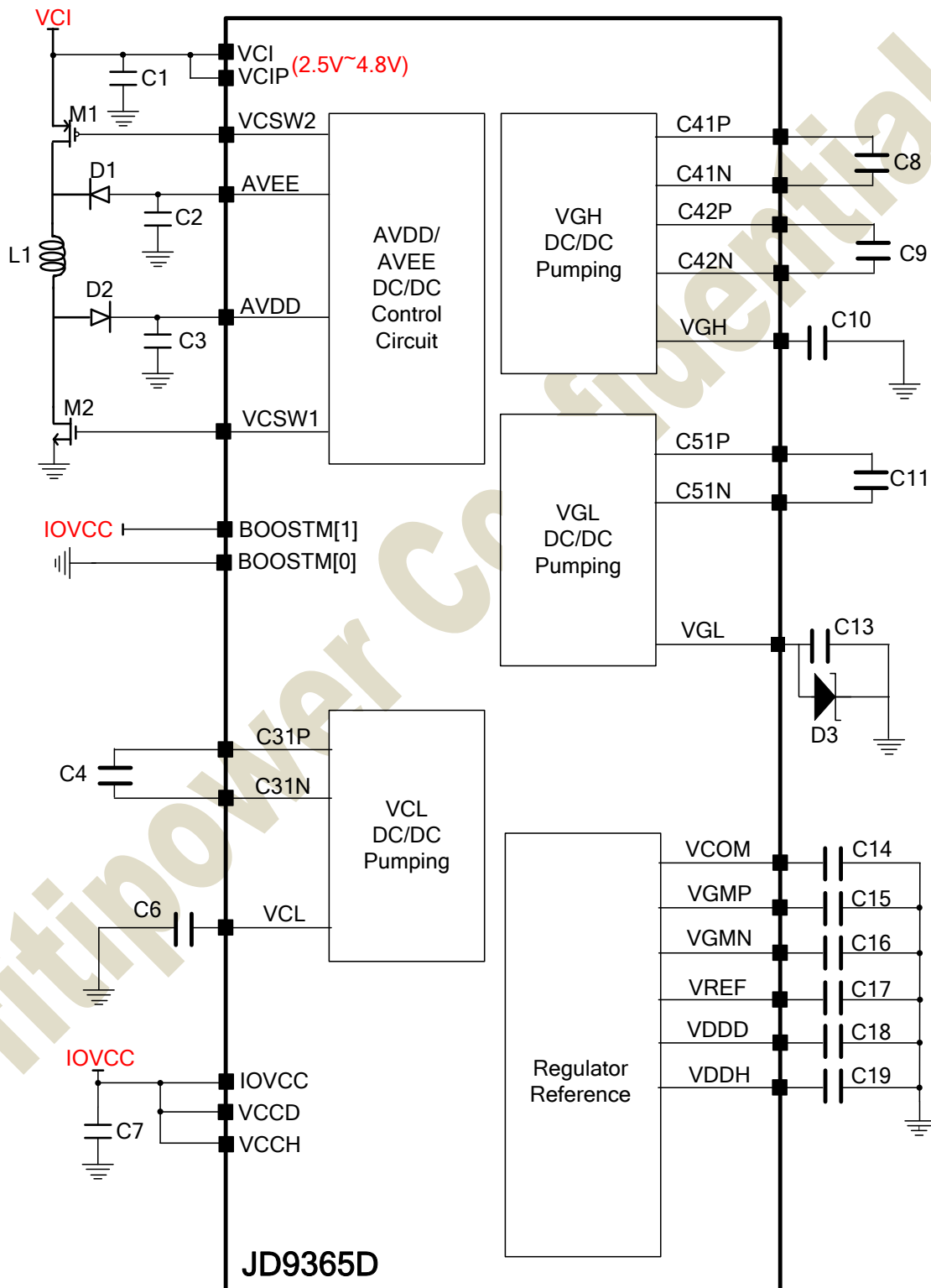


Figure 4.4: DC/DC converter circuit of internal PFM1

4.4.4. DC/DC power mode 2 (AVDD/AVEE PFM2 controlled by driver ic)

IOVCC=VCCD=VCCH=1.65~3.3V, VCI=VCIP=2.5~4.8V. Use PFM2 circuit to generate AVDD and AVEE.

BOOSTM[1:0]=2'b10, DCDCM[3:0]=0101

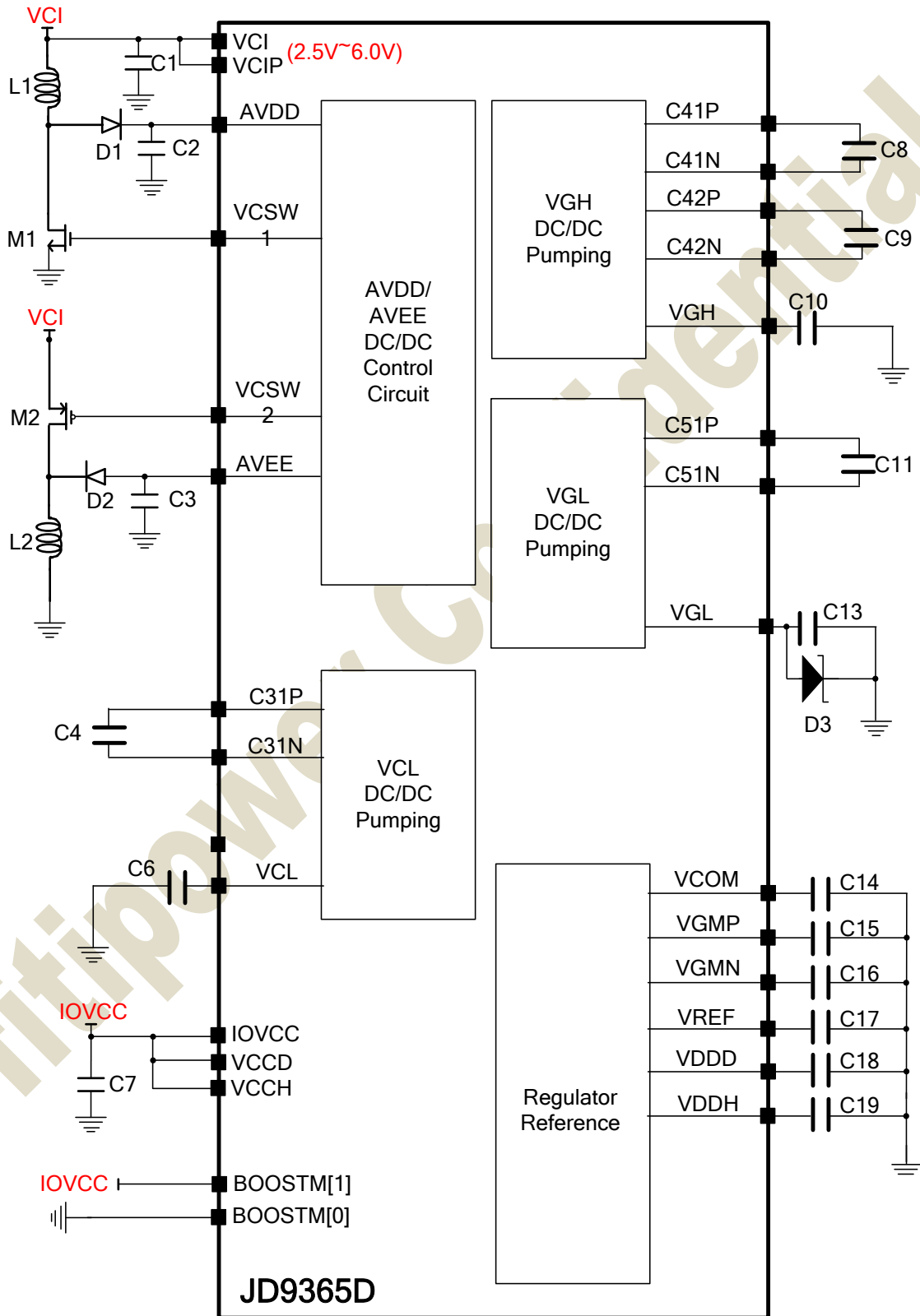


Figure 4.5: DC/DC converter circuit of Internal PFM2

4.4.5. DC/DC power mode 3 (AVDD/AVEE PFM3 controlled by driver ic)

IOVCC=VCCD=VCCH=1.65~3.3V, VCI=VCIP=2.5~4.8V. Use PFM3 circuit to generate AVDD and AVEE.

BOOSTM[1:0]=2'b10, DCDCM[3:0]=0110

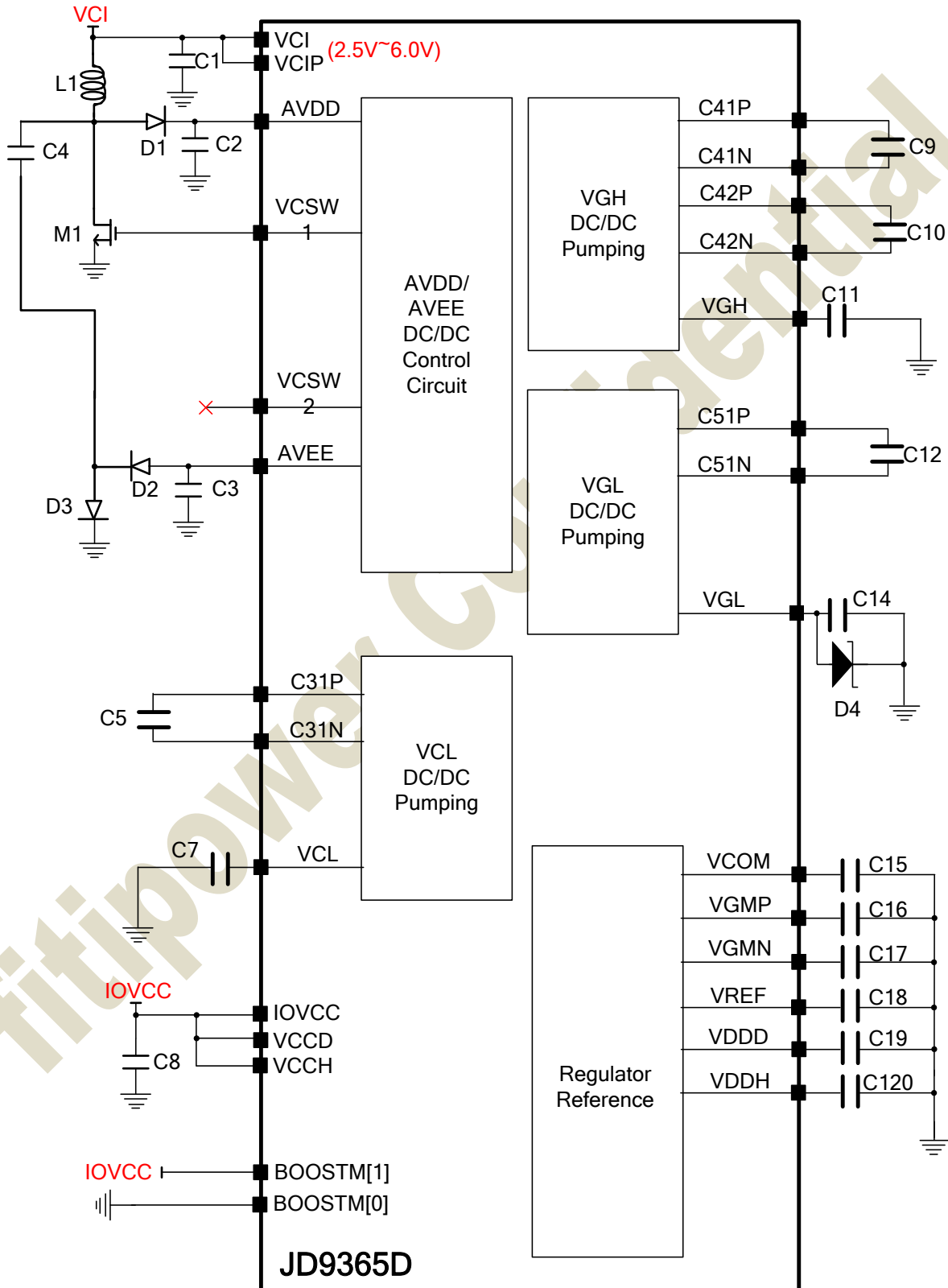


Figure 4.6: DC/DC converter circuit of internal PFM3



4.4.6. DC/DC power mode 4 (AVDD/AVEE with JD5001 controlled by driver ic)

IOVCC=VCCD=VCCH=1.65~3.3V, VCI=VCIP=2.5~4.8V, AVDD=4.5~6.0V, AVEE=-4.5~-6.0V.  
Use external power source (JD5001) to generate AVDD and AVEE.

BOOSTM[1:0]=2'b10, DCDCM[3:0]=0001

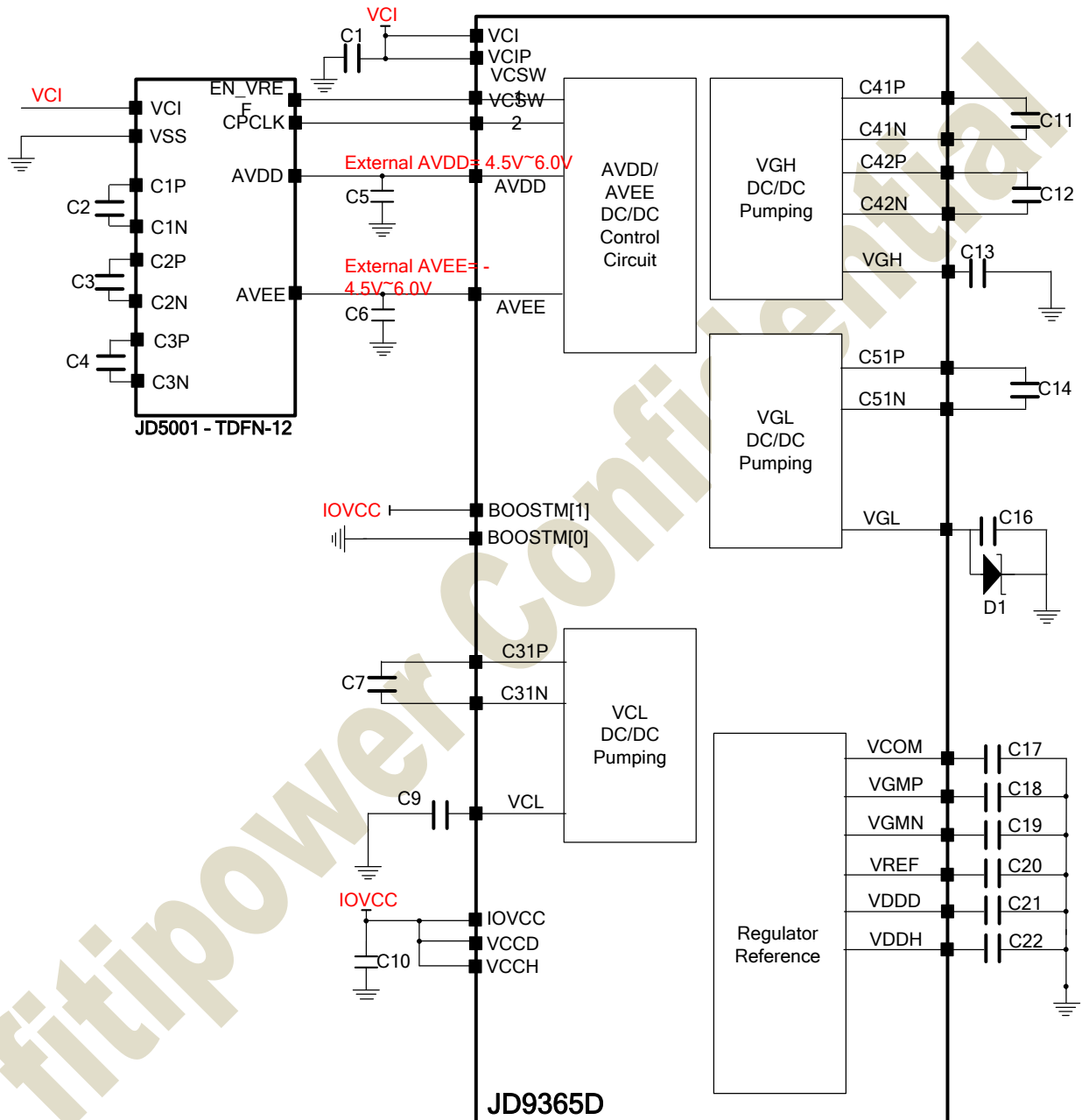


Figure 4.7: DC/DC power(AVDD/AVEE) with JD5001(TDFN-12)

## 4.5. External Components Connection

### 4.5.1. External power mode 1 (External AVDD/AVEE/VGH and VGL power)

Pad Name	Symbol	Connection	Typical Value	
VCI / VCIP/AVDD	C1	Connect to Capacitor (Max 10V): VCI/VCIP/AVDD ---(+)--   --- (-)-----VSSA	2.2 $\mu$ F	
AVEE	C2	Connect to Capacitor (Max 10V): AVEE ---(-)---   --- (+)-----VSSP	2.2 $\mu$ F	
C31P – C31N	C4	Connect to Capacitor (Max 10V): C31P ---(+)--   --- (-)-----C31N	1.0 $\mu$ F	
VCL	C6	Connect to Capacitor (Max 6V): VCL ---(-)---   --- (+)----- VSSP	1.0 $\mu$ F	
IOVCC/ VCCD/ VCCH	C7	Connect to Capacitor (Max 6V): IOVCC/VCCD/VCCH ---(+)--   --- (-)----- VSSA	1.0 $\mu$ F	
VGH	C8	Connect to Capacitor (Max 25V): VGH ---(+)--   --- (-)-----VSSP	1.0 $\mu$ F	
VGL	C9	Connect to Capacitor (Max 16V): VGL ---(-)---   --- (+)----- VSSP	1.0 $\mu$ F	
	D3	Connect to Schottky Diode(VR $\geq$ 30V): VGL ---(-)---▶ --- (+)----- VSSP	VF < 0.4V / 20mA @ 25°C, VR $\geq$ 30V (Recommended diode: RB521S-30)	optional
	D4	Connect to Schottky Diode(VR $\geq$ 30V): VGL ---(-)---▶ --- (+)----- AVEE	VF < 0.4V / 20mA @ 25°C, VR $\geq$ 30V (Recommended diode: RB521S-30)	
VCOM	C10	Connect to Capacitor (Max 6V): VCOM ---(-)---   --- (+)----- AVSS	2.2 $\mu$ F	
VGMP	C11	Connect to Capacitor (Max 10V): VGMP ---(+)--   --- (-)-----VSSA	1.0 $\mu$ F	optional
VGMN	C12	Connect to Capacitor (Max 10V): VGMN ---(-)---   --- (+)-----VSSA	1.0 $\mu$ F	optional
VREF	C13	Connect to Capacitor (Max 6V): VREF ---(+)--   --- (-)----- VSSA	1.0 $\mu$ F	optional
VDDD	C14	Connect to Capacitor (Max 6V): VDDD ---(+)--   --- (-)-----VSSD	2.2 $\mu$ F	
VDDH	C15	Connect to Capacitor (Max 6V): VDDH ---(+)--   --- (-)-----VSSH	1.0 $\mu$ F	

## 4.5.2. External power mode 1 (External AVDD and AVEE power)

Pad Name	Symbol	Connection	Typical Value	
VCI / VCIP/AVDD	C1	Connect to Capacitor (Max 10V): VCI/VCIP/AVDD ---(+)--   --- (-)----VSSA	2.2 $\mu$ F	
AVEE	C2	Connect to Capacitor (Max 10V): AVEE ---(-)--   --- (+)----VSSP	2.2 $\mu$ F	
C31P – C31N	C4	Connect to Capacitor (Max 10V): C31P ---(+)--   --- (-)----C31N	1.0 $\mu$ F	
VCL	C6	Connect to Capacitor (Max 6V): VCL ---(-)--   --- (+)---- VSSP	1.0 $\mu$ F	
IOVCC/ VCCD/ VCCH	C7	Connect to Capacitor (Max 6V): IOVCC/VCCD/VCCH ---(+)--   --- (-)---- VSSA	1.0 $\mu$ F	
C41P – C41N	C8	Connect to Capacitor (Max 16V): C41P ---(+)--   --- (-)----C41N	1.0 $\mu$ F	
C42P – C42N	C9	Connect to Capacitor (Max 16V): C42P ---(+)--   --- (-)----C42N	1.0 $\mu$ F	
VGH	C10	Connect to Capacitor (Max 25V): VGH ---(+)--   --- (-)----VSSP	1.0 $\mu$ F	
C51P – C51N	C11	Connect to Capacitor (Max1 6V): C51P ---(+)--   --- (-)----C51N	1.0 $\mu$ F	
VGL	C13	Connect to Capacitor (Max 16V): VGL ---(-)--   --- (+)---- VSSP	1.0 $\mu$ F	
	D3	Connect to Schottky Diode(VR $\geq$ 30V): VGL ---(-)----▶ --- (+)---- VSSP	VF < 0.4V / 20mA @ 25°C, VR $\geq$ 30V (Recommended diode: RB521S-30)	optional
	D4	Connect to Schottky Diode(VR $\geq$ 30V): VGL ---(-)----▶ --- (+)---- AVEE	VF < 0.4V / 20mA @ 25°C, VR $\geq$ 30V (Recommended diode: RB521S-30)	
VCOM	C14	Connect to Capacitor (Max 6V): VCOM ---(-)--   --- (+)---- AVSS	2.2 $\mu$ F	
VGMP	C15	Connect to Capacitor (Max 10V): VGMP ---(+)--   --- (-)----VSSA	1.0 $\mu$ F	optional
VGMN	C16	Connect to Capacitor (Max 10V): VGMN ---(-)--   --- (+)----VSSA	1.0 $\mu$ F	optional
VREF	C17	Connect to Capacitor (Max 6V): VREF ---(+)--   --- (-)---- VSSA	1.0 $\mu$ F	optional
VDDD	C18	Connect to Capacitor (Max 6V): VDDD ---(+)--   --- (-)----VSSD	2.2 $\mu$ F	
VDDH	C19	Connect to Capacitor (Max 6V): VDDH ---(+)--   --- (-)----VSSH	1.0 $\mu$ F	

## 4.5.3. DC/DC power mode 1 (AVDD/AVEE PFM1 controlled by driver ic)

Pad Name	Symbol	Connection	Typical Value	
VCI / VCIP	C1	Connect to Capacitor (Max 10V): VCI/VCIP ---(+)--   --- (-)----VSSA	2.2 $\mu$ F	
VCSW1	M1	Connect to gate of NMOS.		
AVDD	C2	Connect to Capacitor (Max 10V): AVDD ---(+)--   --- (-)----VSSP	2.2 $\mu$ F	
	D1	Connect cathode of diode: AVDD ---(-)--- ◀--- (+)---- NMOS-D	VF < 0.4V / 20mA @ 25°C, VR $\geq$ 30V (Recommended diode: RB521S-30)	optional
AVEE	C3	Connect to Capacitor (Max 10V): AVEE ---(-)---   --- (+)----VSSP	2.2 $\mu$ F	
	D2	Connect anode of diode: AVEE ---(-)--- ▶--- (+)---- PMOS-D	VF < 0.4V / 20mA @ 25°C, VR $\geq$ 30V (Recommended diode: RB521S-30)	optional
VCSW2	M2	Connect to gate of PMOS.		
-	L1	M1/D1 and M2/D2	22 $\mu$ H	
C31P – C31N	C4	Connect to Capacitor (Max 6V): C31P ---(+)--   --- (-)----C31N	1.0 $\mu$ F	
VCL	C6	Connect to Capacitor (Max 6V): VCL ---(-)---   --- (+)---- VSSP	1.0 $\mu$ F	
IOVCC/ VCCD/ VCCH	C7	Connect to Capacitor (Max 6V): IOVCC/VCCD/VCCH ---(+)--   --- (-)---- VSSA	1.0 $\mu$ F	
C41P – C41N	C8	Connect to Capacitor (Max 16V): C41P ---(+)--   --- (-)----C41N	1.0 $\mu$ F	
C42P – C42N	C9	Connect to Capacitor (Max 16V): C42P ---(+)--   --- (-)----C42N	1.0 $\mu$ F	
VGH	C10	Connect to Capacitor (Max 25V): VGH ---(+)--   --- (-)----VSSP	1.0 $\mu$ F	
C51P – C51N	C11	Connect to Capacitor (Max 1 6V): C51P ---(+)--   --- (-)----C51N	1.0 $\mu$ F	
VGL	C13	Connect to Capacitor (Max 16V): VGL ---(-)---   --- (+)---- VSSP	1.0 $\mu$ F	
	D3	Connect to Schottky Diode (VR $\geq$ 30V): VGL ---(-)--- ▶--- (+)---- VSSP	VF < 0.4V / 20mA @ 25°C, VR $\geq$ 30V (Recommended diode: RB521S-30)	
VCOM	C14	Connect to Capacitor (Max 6V): VCOM ---(-)---   --- (+)---- AVSS	2.2 $\mu$ F	
VGMP	C15	Connect to Capacitor (Max 10V): VGMP ---(+)--   --- (-)----VSSA	1.0 $\mu$ F	optional
VGMN	C16	Connect to Capacitor (Max 10V): VGMN ---(-)---   --- (+)----VSSA	1.0 $\mu$ F	optional
VREF	C17	Connect to Capacitor (Max 6V): VREF ---(+)--   --- (-)---- VSSA	1.0 $\mu$ F	optional
VDDD	C18	Connect to Capacitor (Max 6V): VDDD ---(+)--   --- (-)----VSSD	2.2 $\mu$ F	
VDDH	C19	Connect to Capacitor (Max 6V): VDDH ---(+)--   --- (-)----VSSH	1.0 $\mu$ F	

## 4.5.4. DC/DC power mode 2 (AVDD/AVEE PFM2 controlled by driver ic)

Pad Name	Symbol	Connection	Typical Value	
VCI / VCIP	C1	Connect to Capacitor (Max 10V): VCI/VCIP ---(+)--   --- (-)-----VSSA	2.2 $\mu$ F	
VCSW1	M1	Connect to gate of NMOS.		
-	L1	VCI and M1/D1	22 $\mu$ H	
AVDD	C2	Connect to Capacitor (Max 10V): AVDD ---(+)--   --- (-)-----VSSP	2.2 $\mu$ F	
	D1	Connect cathode of diode: AVDD ---(-)---  ◀--- (+)----- NMOS-D	VF < 0.4V / 20mA @ 25°C, VR $\geq$ 30V (Recommended diode: RB521S-30)	optional
AVEE	C3	Connect to Capacitor (Max 10V): AVEE ---(-)---   --- (+)-----VSSP	2.2 $\mu$ F	
	D2	Connect anode of diode: AVEE ---(-)---  ▶--- (+)----- PMOS-D	VF < 0.4V / 20mA @ 25°C, VR $\geq$ 30V (Recommended diode: RB521S-30)	optional
VCSW2	M2	Connect to gate of PMOS.		
-	L2	M2/D2 and VSSP	22 $\mu$ H	
C31P – C31N	C4	Connect to Capacitor (Max 6V): C31P ---(+)--   --- (-)-----C31N	1.0 $\mu$ F	
VCL	C6	Connect to Capacitor (Max 6V): VCL ---(-)---   --- (+)----- VSSP	1.0 $\mu$ F	
IOVCC/ VCCD/ VCCH	C7	Connect to Capacitor (Max 6V): IOVCC/VCCD/VCCH ---(+)--   --- (-)----- VSSA	1.0 $\mu$ F	
C41P – C41N	C8	Connect to Capacitor (Max 16V): C41P ---(+)--   --- (-)-----C41N	1.0 $\mu$ F	
C42P – C42N	C9	Connect to Capacitor (Max 16V): C42P ---(+)--   --- (-)-----C42N	1.0 $\mu$ F	
VGH	C10	Connect to Capacitor (Max 25V): VGH ---(+)--   --- (-)-----VSSP	1.0 $\mu$ F	
C51P – C51N	C11	Connect to Capacitor (Max1 6V): C51P ---(+)--   --- (-)-----C51N	1.0 $\mu$ F	
VGL	C13	Connect to Capacitor (Max 16V): VGL ---(-)---   --- (+)----- VSSP	1.0 $\mu$ F	
	D3	Connect to Schottky Diode(VR $\geq$ 30V): VGL ---(-)---  ▶--- (+)----- VSSP	VF < 0.4V / 20mA @ 25°C, VR $\geq$ 30V (Recommended diode: RB521S-30)	
VCOM	C14	Connect to Capacitor (Max 6V): VCOM ---(-)---   --- (+)----- AVSS	2.2 $\mu$ F	
VGMP	C15	Connect to Capacitor (Max 10V): VGMP ---(+)--   --- (-)-----VSSA	1.0 $\mu$ F	optional
VGMN	C16	Connect to Capacitor (Max 10V): VGMN ---(-)---   --- (+)-----VSSA	1.0 $\mu$ F	optional
VREF	C17	Connect to Capacitor (Max 6V): VREF ---(+)--   --- (-)----- VSSA	1.0 $\mu$ F	optional
VDDD	C18	Connect to Capacitor (Max 6V): VDDD ---(+)--   --- (-)-----VSSD	2.2 $\mu$ F	
VDDH	C19	Connect to Capacitor (Max 6V): VDDH ---(+)--   --- (-)-----VSSH	1.0 $\mu$ F	

## 4.5.5. DC/DC power mode 3 (AVDD/AVEE PFM3 controlled by driver ic)

Pad Name	Symbol	Connection	Typical Value	
VCI / VCIP	C1	Connect to Capacitor (Max 10V): VCI/VCIP ---(+)--   --- (-)----VSSA	2.2uF	
VCSW1	M1	Connect to gate of NMOS.		
-	L1	VCI and M1/D1	22uH	
AVDD	C2	Connect to Capacitor (Max 10V): AVDD ---(+)--   --- (-)----VSSP	2.2 $\mu$ F	
	D1	Connect cathode of diode: AVDD ---(-)----  ◀--- (+)---- NMOS-D	VF < 0.4V / 20mA @ 25°C, VR $\geq$ 30V (Recommended diode: RB521S-30)	optional
AVEE	C3	Connect to Capacitor (Max 10V): AVEE ---(-)----   --- (+)----VSSP	2.2 $\mu$ F	
	D2	Connect anode of diode: AVEE ---(-)----  ▶--- (+)---- D2/D3	VF < 0.4V / 20mA @ 25°C, VR $\geq$ 30V (Recommended diode: RB521S-30)	optional
VCSW1	M2	Connect to gate of NMOS.		
-	C4	L1/D1/M1 and D4	1.0 $\mu$ F	
-	D3	Connect cathode of diode: C4 ---(+)--   --- (-)---- D2	VF < 0.4V / 20mA @ 25°C, VR $\geq$ 30V (Recommended diode: RB521S-30)	
C31P – C31N	C5	Connect to Capacitor (Max 6V): C31P ---(+)--   --- (-)----C31N	1.0 $\mu$ F	
VCL	C7	Connect to Capacitor (Max 6V): VCL ---(-)----   --- (+)---- VSSP	1.0 $\mu$ F	
IOVCC/ VCCD/ VCCH	C8	Connect to Capacitor (Max 6V): IOVCC/VCCD/VCCH ---(+)--   --- (-)---- VSSA	1.0 $\mu$ F	
C41P – C41N	C9	Connect to Capacitor (Max 16V): C41P ---(+)--   --- (-)----C41N	1.0 $\mu$ F	
C42P – C42N	C10	Connect to Capacitor (Max 16V): C42P ---(+)--   --- (-)----C42N	1.0 $\mu$ F	
VGH	C11	Connect to Capacitor (Max 25V): VGH ---(+)--   --- (-)----VSSP	1.0 $\mu$ F	
C51P – C51N	C12	Connect to Capacitor (Max 1 6V): C51P ---(+)--   --- (-)----C51N	1.0 $\mu$ F	
VGL	C14	Connect to Capacitor (Max 16V): VGL ---(-)----   --- (+)---- VSSP	1.0 $\mu$ F	
	D4	Connect to Schottky Diode(VR $\geq$ 30V): VGL ---(-)----  ▶--- (+)---- VSSP	VF < 0.4V / 20mA @ 25°C, VR $\geq$ 30V (Recommended diode: RB521S-30)	
VCOM	C15	Connect to Capacitor (Max 6V): VCOM ---(-)----   --- (+)---- AVSS	2.2 $\mu$ F	
VGMP	C16	Connect to Capacitor (Max 10V): VGMP ---(+)--   --- (-)----VSSA	1.0 $\mu$ F	optional
VGMN	C17	Connect to Capacitor (Max 10V): VGMN ---(-)----   --- (+)----VSSA	1.0 $\mu$ F	optional
VREF	C18	Connect to Capacitor (Max 6V): VREF ---(+)--   --- (-)---- VSSA	1.0 $\mu$ F	optional
VDDD	C19	Connect to Capacitor (Max 6V): VDDD ---(+)--   --- (-)----VSSD	2.2 $\mu$ F	
VDDH	C20	Connect to Capacitor (Max 6V): VDDH ---(+)--   --- (-)----VSSH	1.0 $\mu$ F	VDDH

## 4.5.6. DC/DC power mode 4 (AVDD/AVEE with JD5001 controlled by driver ic)

Pad Name	Symbol	Connection	Typical Value	
VCI / VCIP	C1	Connect to Capacitor (Max 10V): VCI/VCIP ---(+)-   --- (-)-----VSSA	2.2 $\mu$ F	
VCSW1	JD5001	Connect to EN_VERF pin of JD5001.(Power IC)		
VCSW2	JD5001	Connect to CPCLK pin of JD5001. (Power IC)		
AVDD	C5	Connect to Capacitor (Max 10V): AVDD ---(+)-   --- (-)-----VSSP	2.2 $\mu$ F	
AVEE	C6	Connect to Capacitor (Max 10V): AVEE ---(-)-   --- (+)-----VSSP	2.2 $\mu$ F	
C31P – C31N	C7	Connect to Capacitor (Max 6V): C31P ---(+)-   --- (-)-----C31N	1.0 $\mu$ F	
VCL	C9	Connect to Capacitor (Max 6V): VCL ---(-)-   --- (+)----- VSSP	1.0 $\mu$ F	
IOVCC/ VCCD/ VCCH	C10	Connect to Capacitor (Max 6V): IOVCC/VCCD/VCCH ---(+)-   --- (-)----- VSSD	1.0 $\mu$ F	
C41P – C41N	C11	Connect to Capacitor (Max 16V): C41P ---(+)-   --- (-)-----C41N	1.0 $\mu$ F	
C42P – C42N	C12	Connect to Capacitor (Max 16V): C42P ---(+)-   --- (-)-----C42N	1.0 $\mu$ F	
VGH	C13	Connect to Capacitor (Max 25V): VGH ---(+)-   --- (-)-----VSSP	1.0 $\mu$ F	
C51P – C51N	C14	Connect to Capacitor (Max1 6V): C51P ---(+)-   --- (-)-----C51N	1.0 $\mu$ F	
VGL	C16	Connect to Capacitor (Max 16V): VGL ---(+)-   --- (+)----- VSSP	1.0 $\mu$ F	
	D1	Connect to Schottky Diode(VR $\geq$ 30V): VGL ---(-)-   --- (+)----- VSSP	VF < 0.4V / 20mA @ 25°C, VR $\geq$ 30V (Recommended diode: RB521S-30)	
VCOM	C17	Connect to Capacitor (Max 6V): VCOM ---(-)-   --- (+)----- AVSS	2.2 $\mu$ F	
VGMP	C18	Connect to Capacitor (Max 10V): VGMP ---(+)-   --- (-)-----VSSA	1.0 $\mu$ F	optional
VGMN	C19	Connect to Capacitor (Max 10V): VGMN ---(-)-   --- (+)-----VSSA	1.0 $\mu$ F	optional
VREF	C20	Connect to Capacitor (Max 6V): VREF ---(+)-   --- (-)----- VSSA	1.0 $\mu$ F	optional
VDDD	C21	Connect to Capacitor (Max 6V): VDDD ---(+)-   --- (-)-----VSSD	2.2 $\mu$ F	
VDDH	C22	Connect to Capacitor (Max 6V): VDDH ---(+)-   --- (-)-----VSSH	1.0 $\mu$ F	

## The Components of Power IC J(D5001)

Pad Name	Symbol	Connection	Typical Value
C1P-C1N	C2	Connect to Capacitor (Max 10V): C1P ---(+)-   --- (-)-----C1N	1.0 $\mu$ F
C2P-C2N	C3	Connect to Capacitor (Max 10V): C2P ---(+)-   --- (-)-----C2N	1.0 $\mu$ F
C3P-C3N	C4	Connect to Capacitor (Max 10V): C3P ---(+)-   --- (-)-----C3N	1.0 $\mu$ F

## 5. Maximum layout resistance

Name	Pin Definition	Maximum series resistance	Unit
VCCD, IOVCC, VCCH	Power supply	5	$\Omega$
VCI, VCIP	Power supply	5	$\Omega$
VSSD, VSSA, AVSS, VSSH, VSSP	Power supply	5	$\Omega$
VPP	OTP Power supply	20	$\Omega$
TEST_EN, TEST_OSC, TESTI[3:0], BIST	Input	100	$\Omega$
T_DB[7:0], T_PCLK, T_VSYNC, T_HSYNC, T_DE	Input	100	$\Omega$
CSX,SCL, RESX, SDI, T_DCX, T_RDX,	Input	100	$\Omega$
SDO, TESTO[7:0]	Output	100	$\Omega$
LANSEL1X, DSWAP, PSWAP, IM[1:0]	Input	100	$\Omega$
VCSW1, VCSW2	Output	10	$\Omega$
LEDPWM, TE, TE1, TEST_P, TEST_N VSYNC1, VSYNC2, SC_CLK1, TP_EN	Output	100	$\Omega$
HS_D0P, HS_D0N	Input + Output	6	$\Omega$
HS_D1P, HS_D1N	Input	6	$\Omega$
HS_D2P, HS_D2N	Input	6	$\Omega$
HS_D3P, HS_D3N	Input	6	$\Omega$
HS_CP, HS_CN	Input	6	$\Omega$
VCOM	Output, Capacitor Connection	5	$\Omega$
VDDD, VDDH	Output, Capacitor Connection	5	$\Omega$
AVDD, AVEE	Output, Capacitor Connection	5	$\Omega$
VGMP, VGMN, VREF	Output, Capacitor Connection	20	$\Omega$
VGH, VGL, VCL	Output, Capacitor Connection	10	$\Omega$
C31P, C31N, C41P, C41N, C42P, C42N C51P, C51N	Capacitor Connection	5	$\Omega$

Table 5.1: Maximum Layout Resistance



## 6. Pin description

Host interface pins															
Pin name	I/O type	Connected with	Description												
IM[1:0]	I	VSSD / IOVCC	Select the MPU interface mode as listed below:												
			IM[1]	IM[0]	Interface mode	DB pins									
			0	0	Not used	Not used									
			0	1	Not used	Not used									
			1	0	DSI video mode	HS_CP/N, HS_D0P/N, HS_D1P/N, HS_D2P/N, HS_D3P/N,									
1	1	DSI video mode	HS_CP/N, HS_D0P/N, HS_D1P/N, HS_D2P/N, HS_D3P/N,												
Input data format (RGB565 / RGB666 / RGB888) is selected by DCS command (0x3Ah) . Must be connected to VSSD or IOVCC.															
LANSEL1X	I	VSSD / IOVCC	Select number for MIPI DSI data lane.												
			LANSEL1X, DSI_INIT0[0]		DSI Data lane										
			00		3 Lanes										
			01		4 Lanes										
			10		1 Lane										
11		2 Lanes													
Note: 1. DSI data lane number select by LANSEL1X and internal register setting(DSI_INIT0[0]). Note: 2. LANSEL1X=1, default is 1/2 lanes, use register could change to 3/4 lanes Note: 3. DSI data lane number default is selected by internal register.															
DSWAP, PSWAP	I	VSSD / IOVCC	Select for DSI data lane sequence and polarity.												
			LANSEL1X	DSWAP	PSWAP	HS_D0N	HS_D0P	HS_D1N	HS_D1P	HS_CLKN	HS_CLKP	HS_D2N	HS_D2P	HS_D3N	HS_D3P
			0	0	0	D3-	D3+	D2-	D2+	CLK-	CLK+	D1-	D1+	D0-	D0+
			0	0	1	D3+	D3-	D2+	D2-	CLK+	CLK-	D1+	D1-	D0+	D0-
			0	1	0	D0-	D0+	D1-	D1+	CLK-	CLK+	D2-	D2+	D3-	D3+
			0	1	1	D0+	D0-	D1+	D1-	CLK+	CLK-	D2+	D2-	D3+	D3-
			1	0	0	D2-	D2+	D1-	D1+	CLK-	CLK+	D0-	D0+	D3-	D3+
			1	0	1	D2+	D2-	D1+	D1-	CLK+	CLK-	D0+	D0-	D3+	D3-
			1	1	0	D3-	D3+	D0-	D0+	CLK-	CLK+	D1-	D1+	D2-	D2+
1	1	1	D3+	D3-	D0+	D0-	CLK+	CLK-	D1+	D1-	D2+	D2-			
Note: 1. DSI data lane number select by LANSEL1X and internal register setting.															
BOOSTM[1:0]	I	VSSD / IOVCC	BOOSTM[1:0]	IOVCC / VCCH	VCI / VCIP	VCL	AVDD	AVEE	VGH	VGL					
			00	IOVCC	AVDD	CP	External	External	External	External					
			01	IOVCC	AVDD	CP	External	External	Internal	Internal					
			10	IOVCC	VCI	CP	Internal	Internal	Internal	Internal					
			11	IOVCC	AVDD	CP	External	External	Internal	Internal					
Internal: PFM or PWR IC External : External input power															

<b>RESX</b>	I	<b>Host or reset circuit</b>	Reset pin. Setting either pin low initializes the LSI. Must be reset after power is supplied (Must be connected to VSSD or IOVCC).																		
<b>CSX</b>	I	<b>Host</b>	Chip select pin. 0(GND): chip can be accessed; 1(IOVCC): chip cannot be accessed. If this pin is not used, please connect it to open or IOVCC(week pull high).																		
<b>T_DCX</b>	I	<b>Host</b>	Test Pin. If not use, let it open or connected to IOVCC or open(week pull high).																		
<b>SCL</b>	I	<b>Host</b>	DBI Type-C: it servers as SCL (Serial Clock) If not use, let it open or connected to IOVCC.																		
<b>SDI</b>	I	<b>Host</b>	Serial data input pin in serial interface operation. Must be connected to VSSD or IOVCC if not used.																		
<b>SDO</b>	O	<b>Host</b>	Serial data output. Let it to open in MPU interface mode.																		
<b>TE</b>	O	<b>Host</b>	Serves TE (Tearing Effect) pin on MPU interface.																		
<b>TE1</b>	O	<b>Host</b>	Serves TE (Tearing Effect) pin of each scan line.																		
<b>LEDPWM</b>	O	<b>Host or LED Driver</b>	Backlight on/off control pin. If use CABC function, the pin can connect to external LED driver IC. The output voltage range=0 to IOVCC.																		
<b>DUMMY_VSYNCTP1/ DUMMY_VSYNCTP2</b>	-	<b>Host</b>	Dummy pins, let it open.																		
<b>Panel driver output</b>																					
<b>S[1] ~ S[2400]</b>	O	<b>LCD</b>	Output voltages applied to the liquid crystal.																		
			<table border="1"> <thead> <tr> <th>RGB resolution</th> <th>Source channels</th> </tr> </thead> <tbody> <tr> <td>600RGB</td> <td>S[1] ~ S[900], S[1501]~S[2400]</td> </tr> <tr> <td>640RGB</td> <td>S[1] ~ S[960], S[1441]~S[2400]</td> </tr> <tr> <td>720RGB</td> <td>S[1] ~ S[1080], S[1321]~S[2400]</td> </tr> <tr> <td>750RGB type1</td> <td>S[1]~S[1125],S[1276]~S[2400]</td> </tr> <tr> <td>750RGB type2</td> <td>S[1]~S[1152],S[1249]~S[2346]</td> </tr> <tr> <td>750RGB type3</td> <td>S[55]~S[1152],S[1249]~S[2400]</td> </tr> <tr> <td>768RGB</td> <td>S[1] ~ S[1152], S[1249]~S[2400]</td> </tr> <tr> <td>800RGB</td> <td>S[1] ~ S[2400]</td> </tr> </tbody> </table>	RGB resolution	Source channels	600RGB	S[1] ~ S[900], S[1501]~S[2400]	640RGB	S[1] ~ S[960], S[1441]~S[2400]	720RGB	S[1] ~ S[1080], S[1321]~S[2400]	750RGB type1	S[1]~S[1125],S[1276]~S[2400]	750RGB type2	S[1]~S[1152],S[1249]~S[2346]	750RGB type3	S[55]~S[1152],S[1249]~S[2400]	768RGB	S[1] ~ S[1152], S[1249]~S[2400]	800RGB	S[1] ~ S[2400]
			RGB resolution	Source channels																	
			600RGB	S[1] ~ S[900], S[1501]~S[2400]																	
			640RGB	S[1] ~ S[960], S[1441]~S[2400]																	
			720RGB	S[1] ~ S[1080], S[1321]~S[2400]																	
			750RGB type1	S[1]~S[1125],S[1276]~S[2400]																	
			750RGB type2	S[1]~S[1152],S[1249]~S[2346]																	
			750RGB type3	S[55]~S[1152],S[1249]~S[2400]																	
			768RGB	S[1] ~ S[1152], S[1249]~S[2400]																	
800RGB	S[1] ~ S[2400]																				
750RGB type selection is determined by internal register, {IP750_1,IP750_0}																					
<b>SZ[3:2]</b>	O	<b>LCD</b>	Source Dummy, if not use, let it open.																		
<b>GCKL[1] ~ GCKL[22]</b>	O	<b>LCD</b>	These pins are used for Panel gate control signal. If not use, let it open.																		
<b>GCKR[1] ~ GCKR[22]</b>	O	<b>LCD</b>	These pins are used for Panel gate control signal. If not use, let it open.																		
<b>Power supply pins</b>																					
<b>IOVCC</b>	I	<b>Power IC</b>	A power supply for the I/O circuit.																		
<b>VCCD</b>	I	<b>Power IC</b>	A power supply for the Digital circuit.																		
<b>VCI</b>	I	<b>Power IC</b>	A power supply for DC/DC circuit. VCI input level should be same as VCIP input level to avoid the level-mismatching at internal level shifter circuit.																		

<b>VCIP</b>	<b>I</b>	<b>Power IC</b>	A power supply for DC/DC circuit. VCIP input level should be same as VCI input level to avoid the level-mismatching at internal level shifter circuit.
<b>AVSS</b>	<b>P</b>	<b>System ground</b>	Analog ground. AVSS=0V. When using the COG method, connect to VSSD on the FPC to prevent noise.
<b>VSSA</b>	<b>P</b>	<b>System ground</b>	Analog ground. Must connect to AVSS on the FPC.
<b>VSSD</b>	<b>P</b>	<b>System ground</b>	Ground for the internal logic. VSSD=0V. When using the COG method, connect to AVSS on the FPC to prevent noise.
<b>VSSP</b>	<b>P</b>	<b>System Ground</b>	Ground for the DC/DC circuit. VSSP=0V. When using the COG method, connect to AVSS on the FPC to prevent noise.
<b>VPP</b>	<b>I</b>	<b>Power IC or Open</b>	External high voltage pin used in OTP mode and operates at 7.5V. If not used, let it open.
<b>AVDD</b>	<b>I/O</b>	<b>Capacitor or External power</b>	Input voltage from the set-up circuit. it is generated from VCIP.
<b>AVEE</b>	<b>I/O</b>	<b>Capacitor or External power</b>	Input voltage from the set-up circuit. it is generated from AVEE. Place a schottky barrier diode between AVEE and VGL.
<b>VCL</b>	<b>O</b>	<b>Capacitor</b>	Output voltage from the set-up circuit (0V ~ -4.0V), or internal regulator.
<b>VGH</b>	<b>O</b>	<b>Capacitor</b>	Output voltage from the step-up circuit. Connect to a stabilizing capacitor between AVSS and VGH.
<b>VGL</b>	<b>O</b>	<b>Capacitor</b>	Output voltage from the step-up circuit. Connect to a stabilizing capacitor between AVSS and VGL. Place a schottky barrier diode between AVSS and VGL.
<b>VREF</b>	<b>O</b>	<b>Capacitor</b>	Reference voltage from internal band gap circuit. The tolerance of VREF voltage is $\pm 3\%$ .(1.8V fixed)
<b>VDDD</b>	<b>O</b>	<b>Capacitor</b>	Internal logic voltage output
<b>VGMP</b>	<b>O</b>	<b>Capacitor</b>	Positive regulated voltage output.
<b>VGMN</b>	<b>O</b>	<b>Capacitor</b>	Positive regulated voltage output.
<b>VCOM</b>	<b>O</b>	<b>Capacitor</b>	The power supply of common voltage in DC com driving. The voltage range is set between -2V to 0V. It must be connected a stabilizing capacitor 2.2u to VSSD.
<b>VCOMR</b>	<b>I</b>	<b>Input</b>	The input pad of external VCOM Voltage. The voltage range of input is between 0V to VCL. If not use, let it open.
<b>DC/DC pumping</b>			
<b>C31P, C31N</b>	<b>I/O</b>	<b>Charge Pump Capacitor</b>	Connect to the step-up capacitors according to the DC/DC pumping factor by pumping the VCL voltage. If not used, let them open.
<b>C41P, C41N C42P, C42N</b>	<b>I/O</b>	<b>Charge Pump Capacitor</b>	Connect to the step-up capacitors according to the DC/DC pumping factor by pumping the VGH voltage.

C51P, C51N	I/O	Charge Pump Capacitor	Connect to the step-up capacitors according to the DC/DC pumping factor by pumping the VGL voltage.
VCSW1, VCSW2	O	PFM circuit or External Power IC	<b>In PFM mode:</b> VCSW1 and VCSW2 connect PFM circuit.. <b>In external power ic mode:</b> VCSW1 and VCSW2 connect to external Power IC. <b>If not used, Please open these pin.</b>
<b>High speed interface parts</b>			
HS_D0P, HS_D0N	I/O	DSI Host	MIPI-DSI Data differential signal input pins. (Data lane 0) If not used, please open these pin
HS_CKP, HSI_CKN	I	DSI Host	MIPI-DSI CLOCK differential signal input pins. If not used, please open these pin
HS_D1P, HS_D1N	I	DSI Host	MIPI-DSI Data differential signal input pins. (Data lane 1) If not used, please open these pin
HS_D2P, HS_D2N	I	DSI Host	MIPI-DSI Data differential signal input pins. (Data lane 2) If not used, please open these pin
HS_D3P, HS_D3N	I	DSI Host	MIPI-DSI Data differential signal input pins. (Data lane 3) If not used, please open these pin
VCCH	I	Power IC	Power supply for the MIPI DSI analog power. VCCH=1.65V to 6.0V
VSSH	P	System ground	MIPI DSI analogy ground. VSSH=0V. When using the COG method, connect to AVSS on the FPC to prevent noise.
VDDH	O	Capacitor	DSI I/F: DSI regulator output pin. (1.5V) Connect to a stabilizing capacitor between VDDH and VSSH If not used, please open these pins.
<b>Other Pins</b>			
BIST	I	Open	A test pin. If not used, let it open or connected to VSSD.(weak pull low)
TEST_EN	I	Open	A test pin. This pin is by internal logic function test. This pin can output on FPC. If not used, let it open or connected to VSSD.(weak pull low)
TEST_OSC	I	Open	A test pin. This pin is by internal logic function test. This pin can output on FPC. If not used, let it open or connected to VSSD.(weak pull low)
TESTI[3:0]	O	Open	A test pin. Disconnect it. This pin can output on FPC. (weak pull low)
TESTO[7:0]	O	Open	A test pin. Disconnect it. This pin can output on FPC.
TEST_P	O	Open	A test pin. Disconnect it. This pin can output on FPC.
TEST_N	O	Open	A test pin. Disconnect it. This pin can output on FPC.
DUMMY	-	Open	Not used. Let it open.
T_DB[7:0]	-	Open	Test pin. Only for internal test. Connected to VSSD, IOVCC or open if not used.
T_HSYNC	-	Open	Test pin. Only for internal test. Connected to VSSD, IOVCC or open if not used.
T_VSYNC	-	Open	Test pin. Only for internal test. Connected to VSSD, IOVCC or open if not used.
T_PCLK	-	Open	Test pin. Only for internal test. Connected to VSSD, IOVCC or open if not used.
T_RDY	-	Open	Test pin. Only for internal test. Connected to VSSD, IOVCC or open if not used.
COGTEST1 /	-	-	Test pin,

COGTEST2			
----------	--	--	--

fitipower Confidential

## 7. Interface

### 7.1. DSI system interface

The Display Serial Interface (DSI) specifies the interface between a host processor and a peripheral. DSI builds on existing MIPI Alliance specifications by adopting pixel formats and command set specified in DPI-2, DBI-2 and DCS standards.

Figure 7.1 shows a simplified DSI interface. DSI sends display data or commands to the peripheral, and can read back status or pixel information from the peripheral. The main difference is that DSI serializes all pixel data, commands, and events that, in traditional or legacy interfaces, are normally conveyed to and from the peripheral on a parallel data bus with additional control signals.

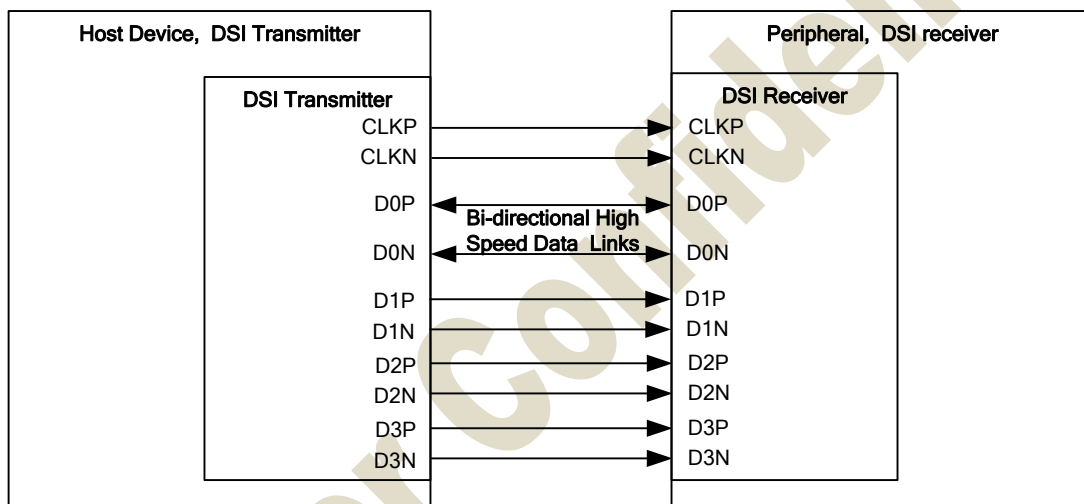
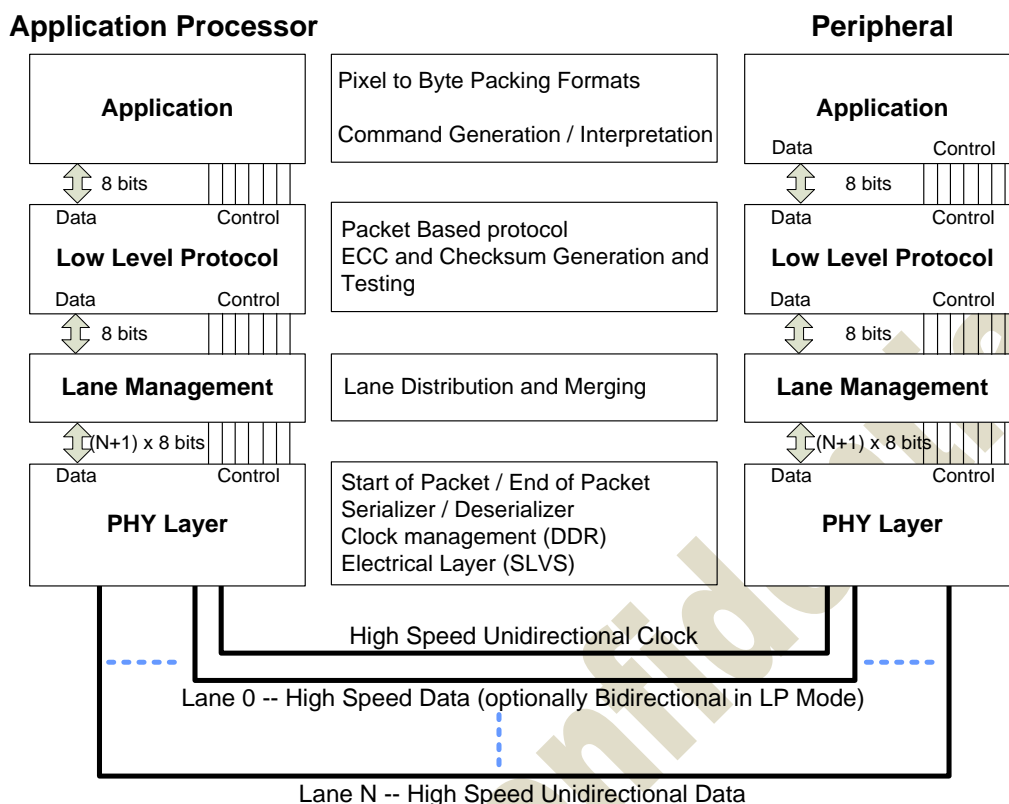


Figure 7.1: DSI transmitter and receiver interface

A conceptual view of DSI organizes the interface into several functional layers. A description of the layers follows and is also shown in Figure 7.2.



**Figure 7.2: DSI Layer**

**PHY Layer:** The PHY Layer specifies transmission medium (electrical conductors), the input/output circuitry and the clocking mechanism that captures “ones” and “zeroes” from the serial bit stream. Bit-level and byte-level synchronization mechanisms are included as part of the PHY.

**Lane Management Layer:** DSI is Lane-scalable for increased performance. The number of data signals may be 1, 2, 3, or 4 depending on the bandwidth requirements of the application. The transmitter side of the interface distributes the outgoing data stream to one or more Lanes (“distributor” function). On the receiving end, the interface collects bytes from the Lanes and merges them together into a recombined data stream that restores the original stream sequence (“merger” function).

**Protocol Layer:** At the lowest level, DSI protocol specifies the sequence and value of bits and bytes traversing the interface. It specifies how bytes are organized into defined groups called packets. The protocol defines required headers for each packet, and how header information is generated and interpreted. The transmitting side of the interface appends header and error-checking information to data being transmitted. On the receiving side, the header is stripped off and interpreted by corresponding logic in the receiver. Error-checking information may be used to test the integrity of incoming data. DSI protocol also documents how packets may be tagged for

---

interleaving multiple command or data streams to separate destinations using a single DSI.

**Application Layer:** This layer describes higher-level encoding and interpretation of data contained in the data stream. Depending on the display subsystem architecture, it may consist of pixels having a prescribed format, or of commands that are interpreted by the display controller inside a display module. The DSI specification describes the mapping of pixel values, commands and command parameters to bytes in the packet assembly.

fitipower Confidential



---

### 7.1.1. Command mode, Video mode and Virtual Channel

DSI-compliant peripheral support either of two basic modes of operation: Command Mode and Video Mode. Which mode is used depends on the architecture and capabilities of the peripheral.

Typically, a peripheral is capable of Command Mode operation or Video Mode operation. Some Video Mode display modules also include a simplified form of Command Mode operation in which the display module may refresh its screen from a reduced-size, or partial, frame buffer, and the interface (DSI) to the host processor may be shut down to reduce power consumption.

#### Command Mode

Command Mode refers to operation in which transactions primarily take the form of sending commands and data to a peripheral, such as a display module, that incorporates a display controller. The display controller may include local registers and a frame buffer. Systems using Command Mode write to, and read from, the registers and frame buffer memory. The host processor indirectly controls activity at the peripheral by sending commands, parameters and data to the display controller. The host processor can also read display module status information or the contents of the frame memory. Command Mode operation requires a bidirectional interface.

#### Video Mode

Video Mode refers to operation in which transfers from the host processor to the peripheral take the form of a real-time pixel stream. In normal operation, the display module relies on the host processor to provide image data at sufficient bandwidth to avoid flicker or other visible artifacts in the displayed image. Video information should only be transmitted using High Speed Mode.

Some Video Mode architectures may include a simple timing controller and partial frame buffer, used to maintain a partial-screen or lower-resolution image in standby or Low Power Mode. This permits the interface to be shut down to reduce power consumption. To reduce complexity and cost, systems that only operate in Video Mode may use a unidirectional data path.

#### Virtual Channel Capability

While this specification only addresses the connection of a host processor to a single peripheral, DSI incorporates a virtual channel capability for communication between a host processor and multiple, physical display modules. Since interface bandwidth is shared between peripherals, there are constraints that limit the physical extent and performance of multiple-peripheral systems. The DSI protocol permits up to four virtual channels, enabling traffic for multiple peripherals to share a common DSI Link. The

---

DSI specification makes no requirements on the specific value assigned to each virtual channel used to designate interlaced fields, For clarity, the first interlaced video field may be assigned as  $DI[7:6] = 2'b00$  and the second interlaced video field may be assigned  $DI[7:6] = 2'b01$ .

Note1: JD9365D support both command mode and video mode.

Note2: For JD9365D,  $DI[7:6]$  for virtual channel should be set as  $2'b00$ .

fitipower Confidential

7.1.2. Power-up Sequence Example

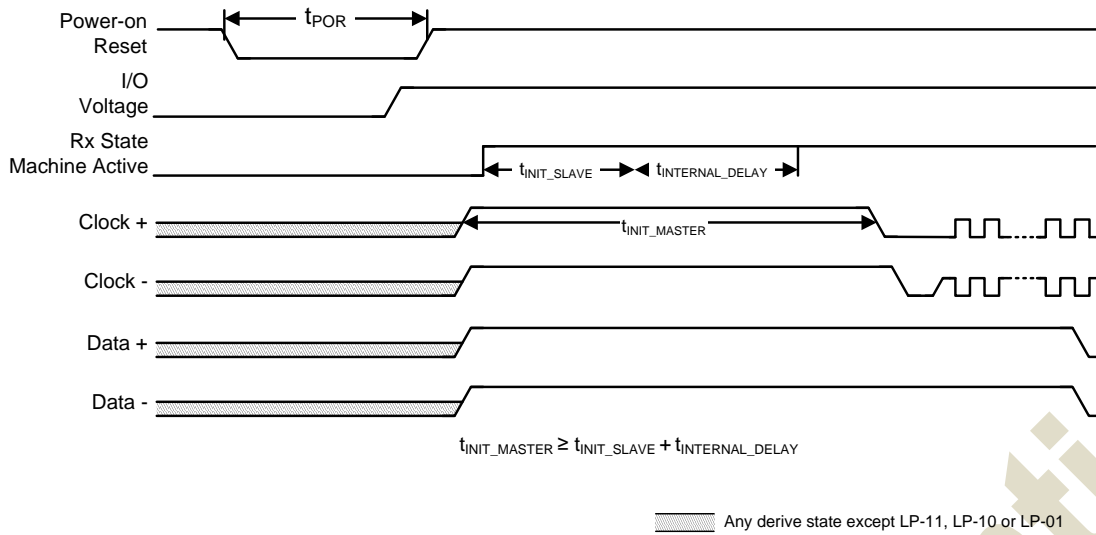
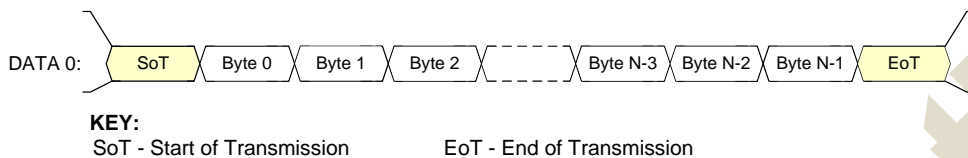


Figure 7.3: Peripheral Power-Up Sequencing Example

fitipower Confidential

### 7.1.3. DSI Format

Information is transferred between host processor and peripheral using one or more serial data signals and accompanying serial clock. The action of sending high-speed serial data across the bus is called a HS transmission or burst. Between transmissions, the differential data signal or Lane goes to a low-power state (LPS). Interfaces should be in LPS when they are not actively transmitting or receiving high-speed data. Figure 7.4 shows the basic structure of a HS transmission. N is the total number of bytes sent in the transmission



**Figure 7.4: Basic HS Transmission Structure**

#### Multi Lane Distribution and Merging

DSI is a Lane-scalable interface. Applications requiring more bandwidth than that provided by one Data Lane may expand the data path to two, three, or four Lanes wide and obtain approximately linear increases in peak bus bandwidth.

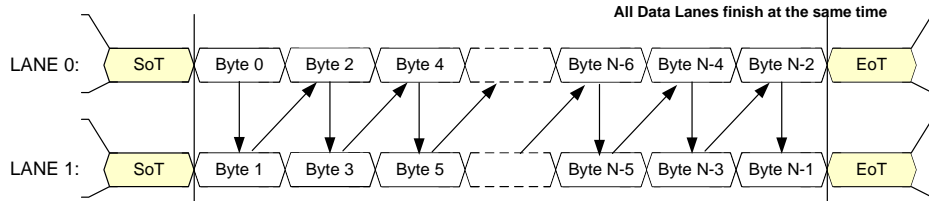
Multi-Lane implementations shall use a single common clock signal, shared by all Data Lanes. Conceptually, between the PHY and higher functional blocks is a layer that enables multi-Lane operation.

Since a HS transmission is composed of an arbitrary number of bytes that may not be an integer multiple of the number of Lanes, some Lanes may run out of data before others. Therefore, the Lane Management layer, as it buffers up the final set of less-than-N bytes, de-asserts its “valid data” signal into all Lanes for which there is no further data.

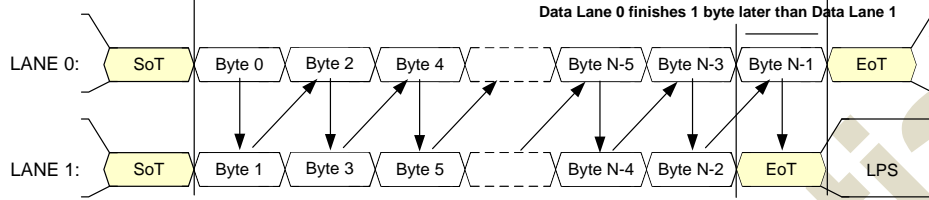
Although all Lanes start simultaneously with parallel SoTs, each Lane operates independently and may complete the HS transmission before the other Lanes, sending an EoT one cycle (byte) earlier.

The N PHYs on the receiving end of the Link collect bytes in parallel and feed them into the Lane Management layer. The Lane Management layer reconstructs the original sequence of bytes in the transmission. Figure 7.5 & 7.6 illustrate a variety of ways a HS transmission can terminate for different number of Lanes and packet lengths.

Number of Bytes, N transmitted is an integer multiple of the number of lanes:



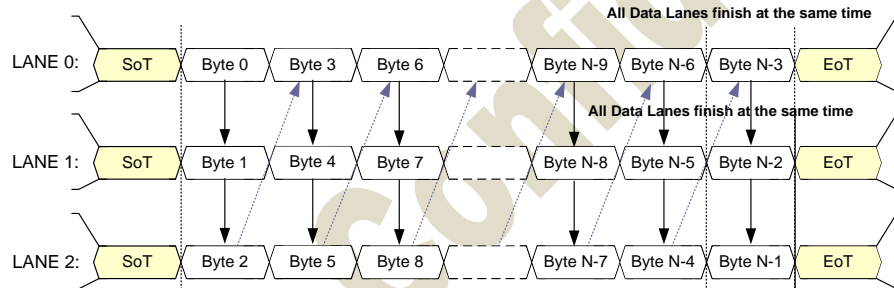
Number of Bytes, N transmitted is NOT an integer multiple of the number of lanes:



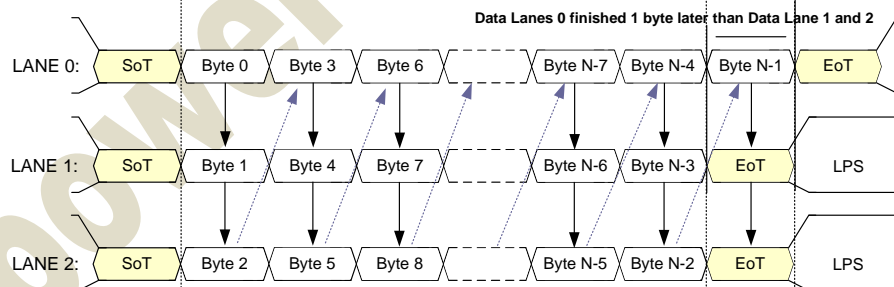
**KEY:**  
LPS - Low Power State    SoT - Start of Transmission    EoT - End of Transmission

**Figure 7.5: Two Lane HS Transmission Example**

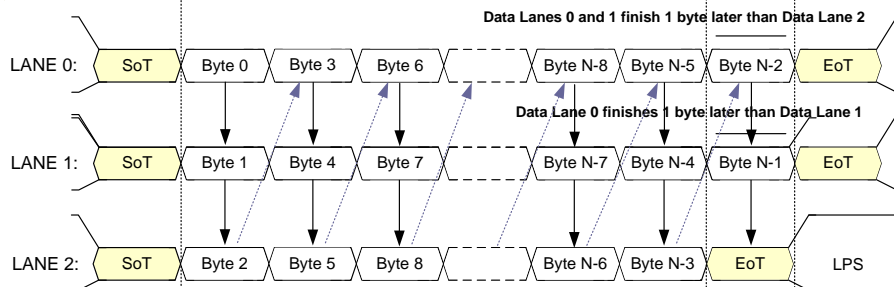
Number of Bytes, N transmitted is an integer multiple of the number of lanes:



Number of Bytes, N transmitted is NOT an integer multiple of the number of lanes (Example 1):



Number of Bytes, N transmitted is NOT an integer multiple of the number of lanes (Example 2):



**KEY:**  
LPS - Low Power State    SoT - Start of Transmission    EoT - End of Transmission

**Figure 7.6: Three Lane HS Transmission Example**

#### 7.1.4. DSI Protocol

On the transmitter side of a DSI Link, parallel data, signal events, and commands are converted in the Protocol layer to packets, following the packet organization documented in this section. The Protocol layer appends packet-protocol information and headers, and then sends complete bytes through the Lane Management layer to the PHY.

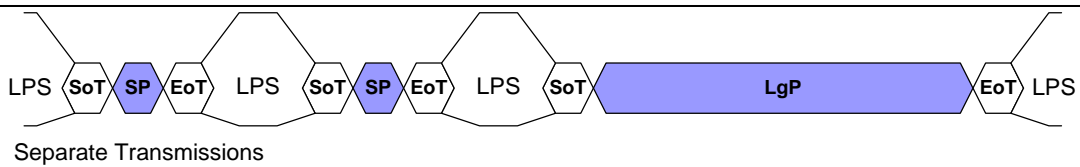
##### 7.1.4.1. Multiple Packets per Transmission

In its simplest form, a transmission may contain one packet. If many packets are to be transmitted, the overhead of frequent switching between LPS and High-Speed Mode will severely limit bandwidth if packets are sent separately, e.g. one packet per transmission.

The DSI protocol permits multiple packets to be concatenated, which substantially boosts effective bandwidth. This is useful for events such as peripheral initialization, where many registers may be loaded with separate write commands at system startup.

There are two modes of data transmission, HS and LP transmission modes, at the PHY layer. Before a HS transmission can be started, the transmitter PHY issues a SoT sequence to the receiver. After that, data or command packets can be transmitted in HS mode. Multiple packets may exist within a single HS transmission and the end of transmission is always signaled at the PHY layer using a dedicated EoT sequence. In order to enhance the overall robustness of the system, DSI defines a dedicated EoT packet (EoTp) at the protocol layer for signaling the end of HS transmission. For backwards compatibility with earlier DSI systems, the capability of generating and interpreting this EoTp can be enabled or disabled. The method of enabling or disabling this capability is out of scope for this document.

The top diagram in Figure 7.7 illustrates a case where multiple packets are being sent separately with EoTp support disabled. In HS mode, time gaps between packets shall result in separate HS transmissions for each packet, with a SoT, LPS, and EoT issued by the PHY layer between packets. This constraint does not apply to LP transmissions. The bottom diagram in Figure 7.7 demonstrates a case where multiple packets are concatenated within a single HS transmission.

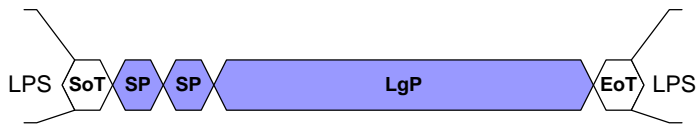


Separate Transmissions

**KEY:**

LPS - Low Power State  
 SoT - Start of Transmission  
 EoT - End of Transmission

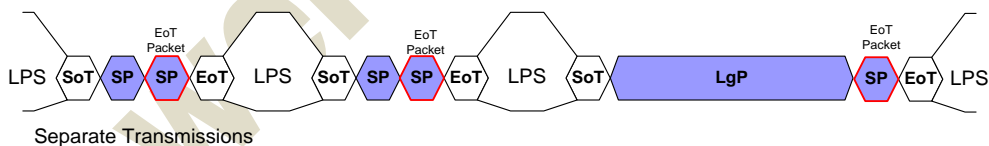
SP - Short Packet  
 LgP - Long Packet



Single Transmissions

**Figure 7.7: HS Transmission Examples with EoTp disabled**

Figure 7.8 depicts HS transmission cases where EoTp generation is enabled. In the figure, EoT short packets are highlighted in red. The top diagram illustrates a case where a host is intending to send a short packet followed by a long packet using two separate transmissions. In this case, an additional EoT short packet is generated before each transmission ends. This mechanism provides a more robust environment, at the expense of increased overhead (four extra bytes per transmission) compared to cases where EoTp generation is disabled, i.e. the system only relies on the PHY layer EoT sequence for signaling the end of HS transmission. The overhead imposed by enabling EoTp can be minimized by sending multiple long and short packets within a single transmission as illustrated by the bottom diagram in Figure 7.8.

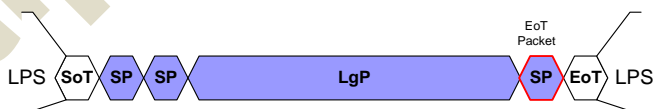


Separate Transmissions

**KEY:**

LPS - Low Power State  
 SoT - Start of Transmission  
 EoT - End of Transmission

SP - Short Packet  
 LgP - Long Packet



Single Transmissions

**Figure 7.8: HS Transmission Examples with EoTp enabled**

7.1.4.2. Endian Policy

All packet data traverses the interface as bytes. Sequentially, a transmitter shall send data LSB first, MSB last. For packets with multi-byte fields, the least significant byte shall be transmitted first unless otherwise specified. Figure 7.9 shows a complete Long packet data transmission. Note, the figure shows the byte values in standard positional notation, i.e. MSB on the left and LSB on the right, while the bits are shown in chronological order with the LSB on the left, the MSB on the right and time increasing left to right.

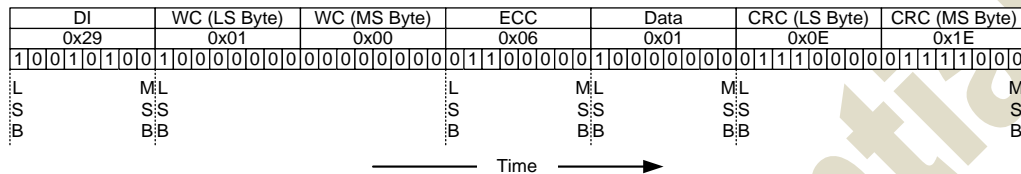


Figure 7.9: Endian Example (Long Packet)

fitipower Confidential



---

### 7.1.4.3. Packet Structure

The first byte of the packet, the Data Identifier (DI), includes information specifying the type of the packet. Packet sizes fall into two categories:

- **Long packets** specify the payload length using a two-byte Word Count field. Payloads may be from 0 to  $2^{16} - 1$  bytes long. Therefore, a Long packet may be up to 65,541 bytes in length. Long packets permit transmission of large blocks of pixel or other data.

- **Short packets** are four bytes in length including the ECC. Short packets are used for most Command Mode commands and associated parameters. Other Short packets convey events like H Sync and V Sync edges. Because they are Short packets they can convey accurate timing information to logic at the peripheral.

The Set Maximum Return Packet Size command allows the host processor to limit the size of response packets coming from a peripheral.

fitipower Confidential

### 7.1.4.3.1. Long Packet

Figure 7.10 shows the structure of the Long packet. A Long packet shall consist of three elements: a 32-bit Packet Header (PH), an application-specific Data Payload with a variable number of bytes, and a 16-bit Packet Footer (PF). The Packet Header is further composed of three elements: an 8-bit Data Identifier, a 16-bit Word Count, and 8-bit ECC. The Packet Footer has one element, a 16-bit checksum. Long packets can be from 6 to 65,541 bytes in length.

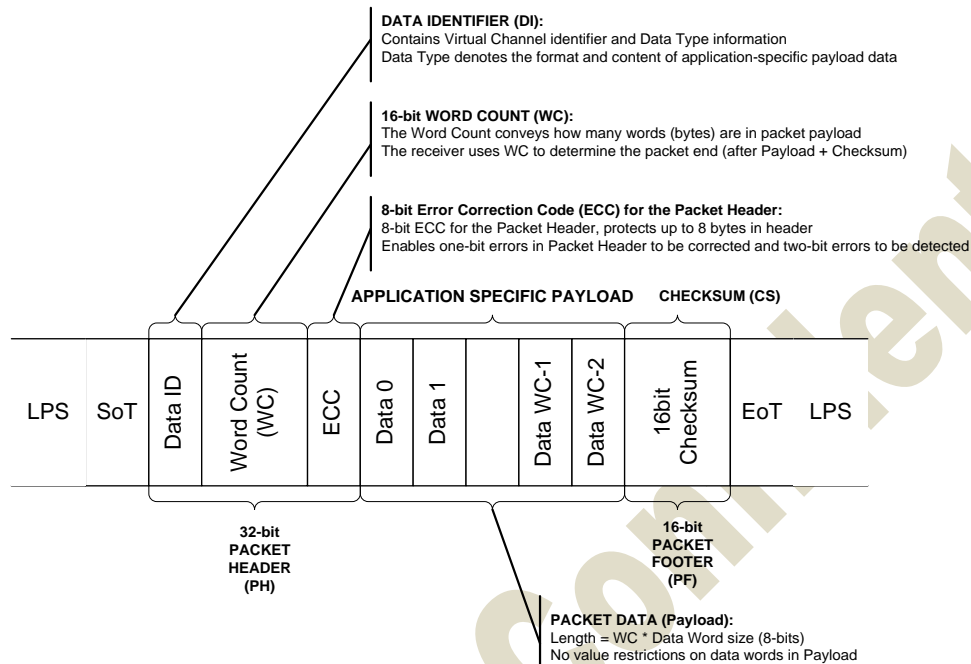


Figure 7.10: Long Packet Structure

The Data Identifier defines the Virtual Channel for the data and the Data Type for the application specific payload data.

The Word Count defines the number of bytes in the Data Payload between the end of the Packet Header and the start of the Packet Footer. Neither the Packet Header nor the Packet Footer shall be included in the Word Count.

The Error Correction Code (ECC) byte allows single-bit errors to be corrected and 2-bit errors to be detected in the Packet Header. This includes both the Data Identifier and Word Count fields.

After the end of the Packet Header, the receiver reads the next Word Count \* bytes of the Data Payload. Within the Data Payload block, there are no limitations on the value of a data word, i.e. no embedded codes are used.

Once the receiver has read the Data Payload it reads the Checksum in the Packet Footer. The host processor shall always calculate and transmit a Checksum in the Packet Footer. Peripherals are not required to calculate a Checksum. Also note the special case of zero-byte Data Payload: if the payload has length 0, then the

---

Checksum calculation results in (0xFFFF). If the Checksum is not calculated, the Packet Footer shall consist of two bytes of all zeros (0x0000). In the generic case, the length of the Data Payload shall be a multiple of bytes.

Each byte shall be transmitted least significant bit first. Payload data may be transmitted in any byte order restricted only by data format requirements. Multi-byte elements such as Word Count and Checksum shall be transmitted least significant byte first.

fitipower Confidential

### 7.1.4.3.2. Short Packet

Figure 7.11 shows the structure of the Short packet. A Short packet shall contain an 8-bit Data ID followed by two command or data bytes and an 8-bit ECC; a Packet Footer shall not be present. Short packets shall be four bytes in length. The Error Correction Code (ECC) byte allows single-bit errors to be corrected and 2-bit errors to be detected in the Short packet.

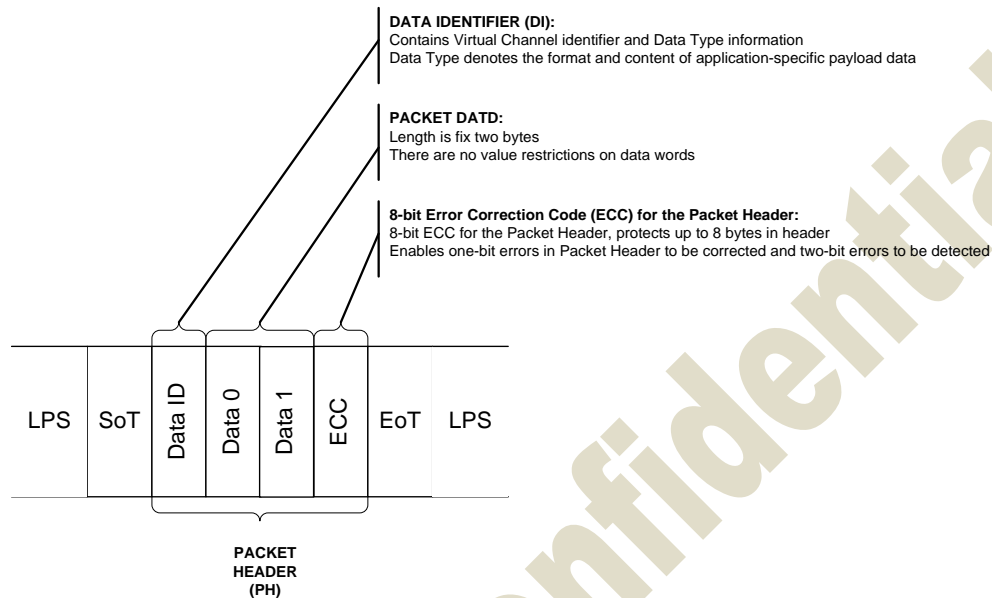


Figure 7.11: Short Packet Structure

## 7.1.5. Common Packet Elements

Long and Short packets have several common elements that are described in this section.

### 7.1.5.1. Data Identifier Byte

The first byte of any packet is the DI (Data Identifier) byte. Figure 7.12 shows the composition of the Data Identifier (DI) byte. DI[7:6]: These two bits identify the data as directed to one of four virtual channels. DI[5:0]: These six bits specify the Data Type.

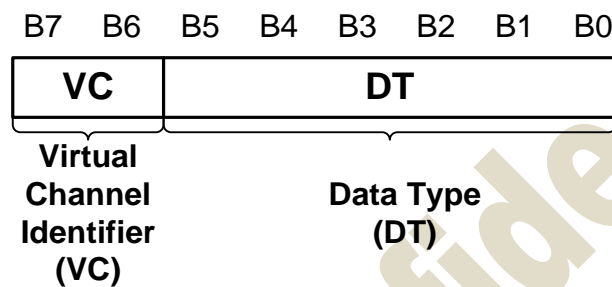


Figure 7.12: Data Identifier Byte

### 7.1.5.2. Virtual Channel Identifier – VC field, DI[7:6]

A processor may service up to four peripherals with tagged commands or blocks of data, using the Virtual Channel ID field of the header for packets targeted at different peripherals. The Virtual Channel ID enables one serial stream to service two or more virtual peripherals by multiplexing packets onto a common transmission channel.

### 7.1.5.3. Data Type Field DT[5:0]

The Data Type field specifies if the packet is a Long or Short packet type and the packet format. The Data Type field, along with the Word Count field for Long packets, informs the receiver of how many bytes to expect in the remainder of the packet. This is necessary because there are no special packet start / end sync codes to indicate the beginning and end of a packet. This permits packets to convey arbitrary data, but it also requires the packet header to explicitly specify the size of the packet. When the receiving logic has counted down to the end of a packet, it shall assume the next data is either the header of a new packet or the EoT (End of Transmission) sequence.

---

#### 7.1.5.4. ECC

The Error Correction Code allows single-bit errors to be corrected and 2-bit errors to be detected in the Packet Header. The host processor shall always calculate and transmit an ECC byte. Peripherals shall support ECC in both forward- and reverse-direction communications.

fitipower Confidential

## 7.1.6. DSI packet

### 7.1.6.1. Processor-sourced Packets

The set of transaction types sent from the host processor to a peripheral, such as a display module, are shown in Table 7.1.

Data Type (Hex)	Data Type (Binary)	Description	Packet Size
0x01	00 0001	Sync Event, V Sync Start	Short
0x11	01 0001	Sync Event, V Sync End	Short
0x21	10 0001	Sync Event, H Sync Start	Short
0x31	11 0001	Sync Event, H Sync End	Short
0x08	00 1000	End of Transmission packet (EoTp)	Short
0x02	00 0010	Color Mode (CM) Off Command	Short
0x12	01 0010	Color Mode (CM) On Command	Short
0x22	10 0010	Shut Down Peripheral Command	Short
0x32	11 0010	Turn On Peripheral Command	Short
0x03	00 0011	Generic Short WRITE, no parameters	Short
0x13	01 0011	Generic Short WRITE, 1 parameter	Short
0x23	10 0011	Generic Short WRITE, 2 parameters	Short
0x04	00 0100	Generic READ, no parameters	Short
0x14	01 0100	Generic READ, 1 parameter	Short
0x24	10 0100	Generic READ, 2 parameters	Short
0x05	00 0101	DCS Short WRITE, no parameters	Short
0x15	01 0101	DCS Short WRITE, 1 parameter	Short
0x06	00 0110	DCS READ, no parameters	Short
0x37	11 0111	Set Maximum Return Packet Size	Short
0x09	00 1001	Null Packet, no data	Long
0x19	01 1001	Blanking Packet, no data	Long
0x29	10 1001	Generic Long Write	Long
0x39	11 1001	DCS Long Write/write_LUT Command Packet	Long
0x0E	00 1110	Packed Pixel Stream, 16-bit RGB, 5-6-5 Format	Long
0x1E	01 1110	Packed Pixel Stream, 18-bit RGB, 6-6-6 Format	Long
0x2E	10 1110	Loosely Packed Pixel Stream, 18-bit RGB, 6-6-6 Format	Long
0x3E	11 1110	Packed Pixel Stream, 24-bit RGB, 8-8-8 Format	Long
0xX0 and 0xFF unspecified	xx 0000 xx 1111	DO NOT USE All unspecified codes are reserved	

Table 7.1: Data Types for supported Processor-sourced Packets

7.1.6.2. Packed Pixel Stream, 16-bit Format, Long Packet

Packed Pixel Stream 16-Bit Format shown in Figure 7.13 is a Long packet used to transmit image data formatted as 16-bit pixels to a Video Mode display module. The packet consists of the DI byte, a two-byte WC, an ECC byte, a payload of length WC bytes and a two-byte checksum. Pixel format is five bits red, six bits green, five bits blue, in that order. Within a color component, the LSB is sent first, the MSB last. The total line width (displayed plus non-displayed pixels) should be a multiple of two bytes.

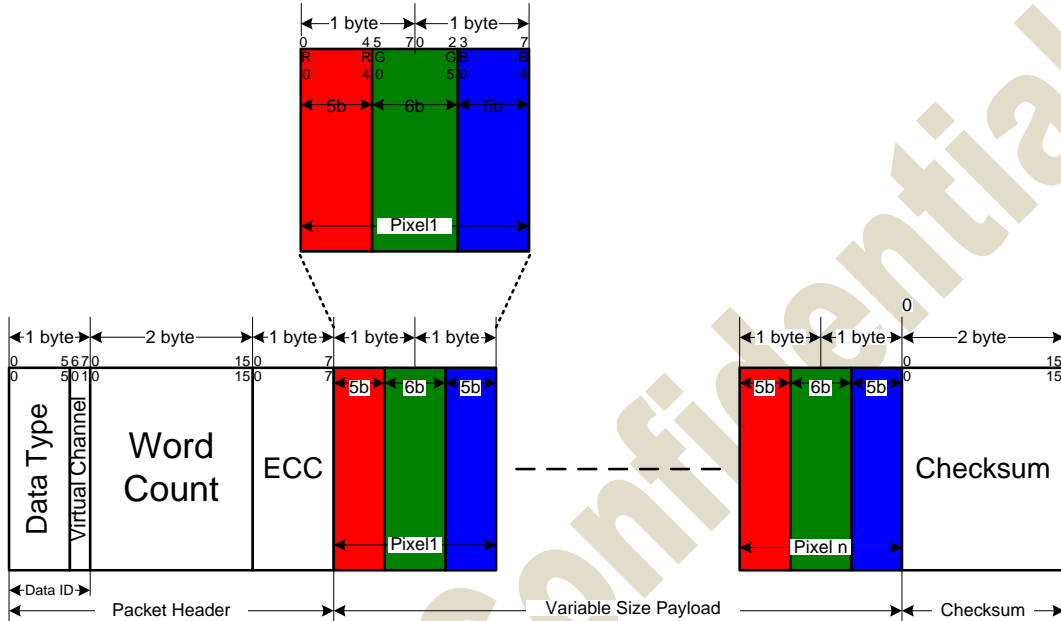


Figure 7.13: 16-bit per Pixel – RGB Color Format, Long Packet

fitipower Confidential



7.1.6.3. Packed Pixel Stream, 18-bit Format, Long Packet

Packed Pixel Stream 18-Bit Format (Packed) shown in Figure 7.14 is a Long packet. It is used to transmit RGB image data formatted as pixels to a Video Mode display module that displays 18-bit pixels. The packet consists of the DI byte, a two-byte WC, an ECC byte, a payload of length WC bytes and a two-byte Checksum. Pixel format is red (6 bits), green (6 bits) and blue (6 bits), in that order. Within a color component, the LSB is sent first, the MSB last.

Note that pixel boundaries only align with byte boundaries every four pixels (nine bytes). Preferably, display modules employing this format have a horizontal extent (width in pixels) evenly divisible by four, so no partial bytes remain at the end of the display line data. If the active (displayed) horizontal width is not a multiple of four pixels, the transmitter shall send additional fill pixels at the end of the display line to make the transmitted width a multiple of four pixels. Peripheral will not display the fill pixels when refreshing the display device.

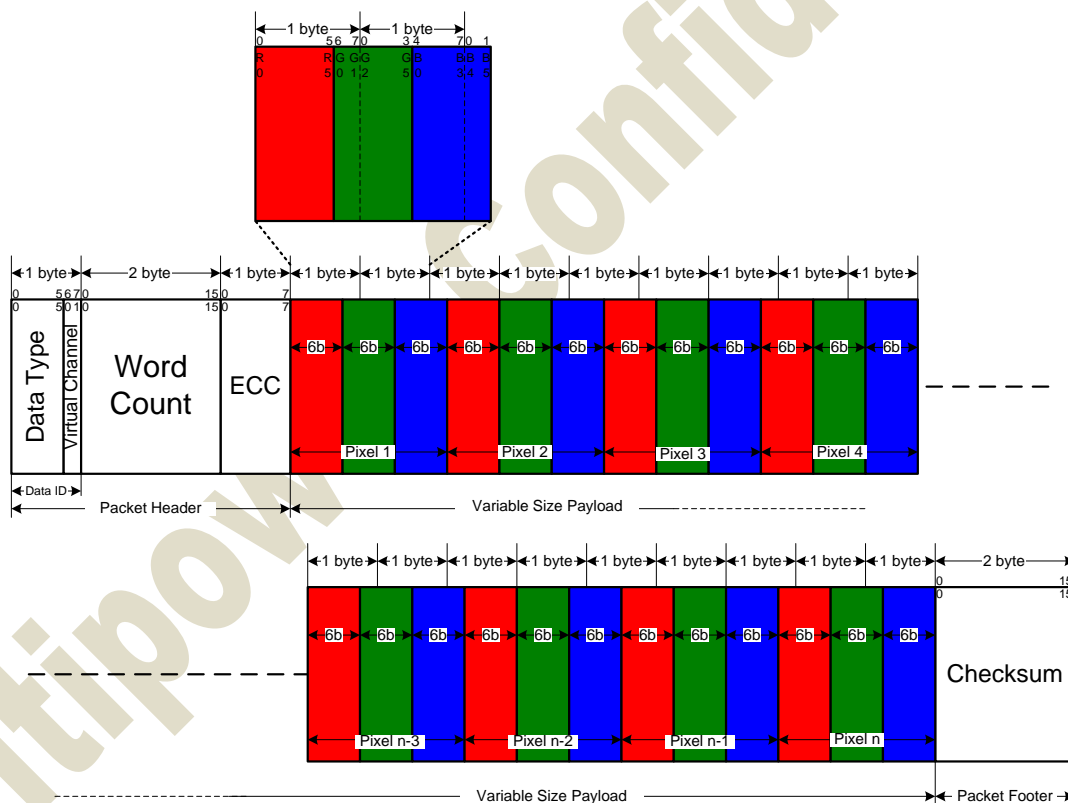


Figure 7.14: 18-bit per Pixel (Packed) – RGB Color Format, Long Packet

7.1.6.4. Pixel Stream, 18-bit Loosely Format, Long Packet

In the 18-bit Pixel Loosely Packed format, each R, G, or B color component is six bits, but is shifted to the upper bits of the byte, such that the valid pixel bits occupy bits [7:2] of each byte as shown in Figure 7.15. Bits [1:0] of each payload byte representing active pixels are ignored. As a result, each pixel requires three bytes as it is transmitted across the Link. This requires more bandwidth than the “packed” format, but requires less shifting and multiplexing logic in the packing and unpacking functions on each end of the Link. With this format, pixel boundaries align with byte boundaries every three bytes. The total line width (displayed plus non-displayed pixels) should be a multiple of three bytes.

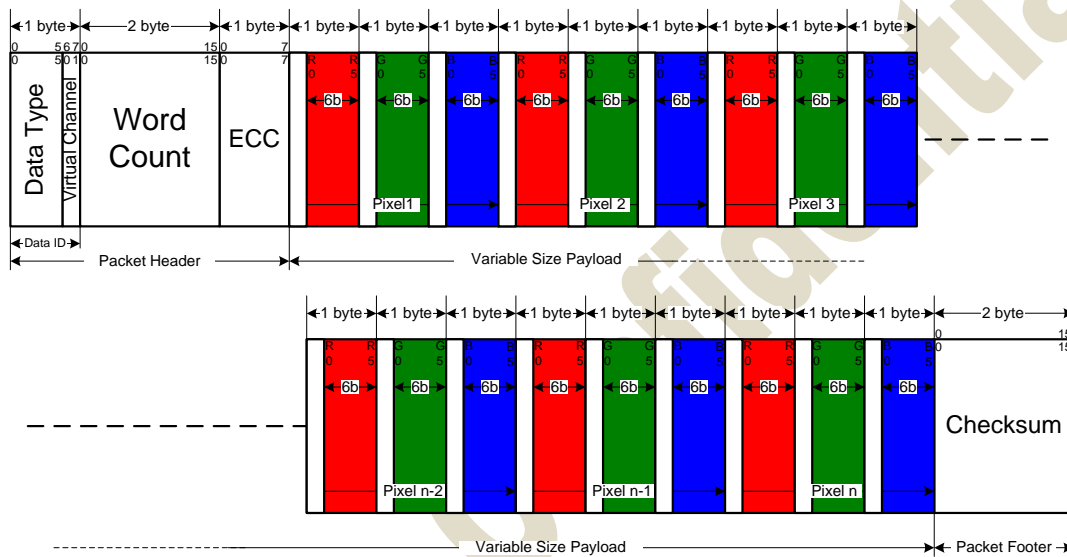


Figure 7.15: 18-bit per Pixel (Loosely Packed) – RGB Color Format, Long Packet

7.1.6.5. Packed Pixel Stream, 24-bit Format, Long Packet

Packed Pixel Stream 24-Bit Format shown in Figure 7.16 is a Long packet. It is used to transmit image data formatted as 24-bit pixels to a Video Mode display module. The packet consists of the DI byte, a two-byte WC, an ECC byte, a payload of length WC bytes and a two-byte Checksum. The pixel format is red (8 bits), green (8 bits) and blue (8 bits), in that order. Each color component occupies one byte in the pixel stream; no components are split across byte boundaries. Within a color component, the LSB is sent first, the MSB last. With this format, pixel boundaries align with byte boundaries every three bytes. The total line width (displayed plus non-displayed pixels) should be a multiple of three bytes.

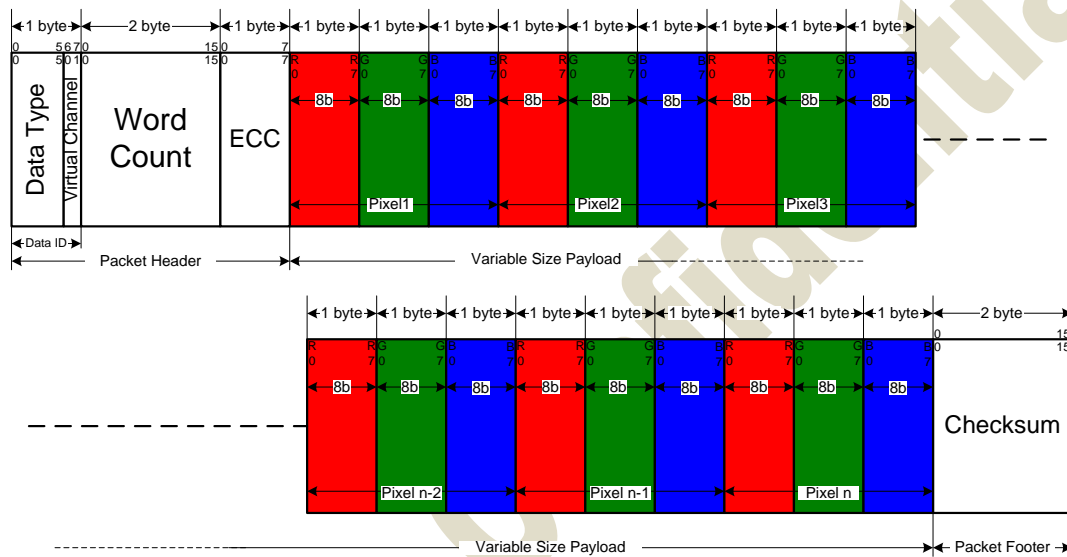


Figure 7.16: 24-bit per Pixel – RGB Color Format, Long Packet

---

### 7.1.7. Peripheral to Processor Transmission

JD9365D has bidirectional capability for returning READ data, acknowledge, or error information to the host processor. BTA shall take place after every peripheral-to-processor transaction. This returns bus control to the host processor following the completion of the LP transmission from the peripheral.

Peripheral-to-processor transactions are of four basic types:

- **Tearing Effect (TE)** is a Trigger message sent to convey display timing information to the host processor. Trigger messages are single byte packets sent by a peripheral's PHY layer in response to a signal from the DSI protocol layer.
- **Acknowledge** is a Trigger Message sent when the current transmission, as well as all preceding transmissions since the last peripheral to host communication, i.e. either triggers or packets, is received by the peripheral with no errors.
- **Acknowledge and Error Report** is a Short packet sent if any errors were detected in preceding transmissions from the host processor. Once reported, accumulated errors in the error register are cleared.
- **Response to Read Request** may be a Short or Long packet that returns data requested by the preceding READ command from the processor.

### 7.1.7.1. Appropriate Responses to Commands and ACK Requests

In general, if the host processor completes a transmission to the peripheral with BTA asserted, the peripheral shall respond with one or more appropriate packet(s), and then return bus ownership to the host processor. If BTA is not asserted following a transmission from the host processor, the peripheral shall not communicate an Acknowledge or error information back to the host processor.

Interpretation of processor-to-peripheral transactions with BTA asserted, and the expected responses, are as follows:

- Following a non-Read command, the peripheral shall respond with Acknowledge if no errors were detected and stored since the last peripheral to host communication, i.e. either triggers or packets.
- Following a Read request, the peripheral shall send the requested READ data if no errors were detected and stored since the last peripheral to host communication, i.e. either triggers or packets.
- Following a Read request if only a single-bit ECC error was detected and corrected, the peripheral shall send the requested READ data in a Long or Short packet, followed by a 4-byte Acknowledge and Error Report packet in the same LP transmission. The Error Report shall have the ECC Error – Single Bit flag set, as well as any error bits from any preceding transmissions stored since the last peripheral to host communication.
- Following a non-Read command if only a single-bit ECC error was detected and corrected, the peripheral shall proceed to execute the command, and shall respond to BTA by sending a 4-byte Acknowledge and Error Report packet. The Error Report shall have the ECC Error – Single Bit flag set, as well as any error bits from any preceding transmissions stored since the last peripheral to host communication.
- Following a Read request, if multi-bit ECC errors were detected and not corrected, the peripheral shall send a 4-byte Acknowledge and Error Report packet without sending Read data. The Error Report shall have the ECC Error – Multi-Bit flag set, as well as any error bits from any preceding transmissions stored since the last peripheral to host communication.
- Following a non-Read command, if multi-bit ECC errors were detected and not corrected, the peripheral shall not execute the command, and shall send a 4-byte Acknowledge and Error Report packet. The Error Report shall have the ECC Error – Multi-Bit flag set, as well as any error bits from any preceding transmissions stored since the last peripheral to host communication.

• Following any command, if SoT Error, SoT Sync Error or DSI VC ID Invalid or DSI protocol violation was detected, or the DSI command was not recognized, the peripheral shall send a 4-byte Acknowledge and Error Report response, with the appropriate error flags set, as well as any error bits from any preceding transmissions stored since the last peripheral to host communication, in the two-byte error field. Only the Acknowledge and Error Report packet shall be transmitted; no read or write accesses shall take place on the peripheral in response.

• Following any command, if EoT Sync Error or LP Transmit Sync Error is detected, or a checksum error is detected in the payload, the peripheral shall send a 4-byte Acknowledge and Error Report packet with the appropriate error flags set, as well as any error bits from any preceding transmissions stored since the last peripheral to host communication. For a read command, only the Acknowledge and Error Report packet shall be transmitted; no read data shall be sent by the peripheral in response.

Once reported to the host processor, all errors documented in this section are cleared from the Error Register.

#### 7.1.7.2. Peripheral-to-Processor Packet Description

Table 7.2 presents the complete set of peripheral-to-processor Data Types.

Data Type (Hex)	Data Type (Binary)	Description	Packet Size
0x02	00 0010	Acknowledge and Error Report	Short
0x08	00 1000	End of Transmission packet	Short
0x1C	01 1100	DCS Long READ Response	Long

**Table 7.2: Data Types for Peripheral-sourced Packets**

### 7.1.8. Format of Acknowledge and Error Report and Read Response Data Type

**Acknowledge** is sent using a Trigger message.

- Byte 0: 00100001 (shown here in first bit [left] to last bit [right] sequence)

**Response to Read Request** returns data requested by the preceding READ command from the processor. These may be short or Long packets. The format for short READ packet responses is:

- Byte 0: Data Identifier (Virtual Channel ID + Data Type)
- Bytes 1, 2: READ data, may be one or two bytes. For single byte parameters, the parameter shall be returned in Byte 1 and Byte 2 shall be set to 0x00.
- ECC byte covering the header

**Acknowledge and Error Report** confirms that the preceding command or data sent from the host processor to a peripheral was received, and indicates what types of error were detected on the transmission and any preceding transmissions. Note that if errors accumulate from multiple preceding transmissions, it may be difficult or impossible to identify which transmission contained the error. This message is a Short packet of four bytes, taking the form:

- Byte 0: Data Identifier (Virtual Channel ID + Acknowledge Data Type)
- Byte 1: Error Report bits 0-7
- Byte 2: Error Report bits 8-15
- ECC byte covering the header

An error report is a Short packet comprised of two bytes following the DI byte, with an ECC byte following the Error Report bytes. By convention, detection and reporting of each error type is signified by setting the corresponding bit to "1". Table 7.3 shows the bit assignment for all error reporting.

Bit	Description
0	SoT Error
1	SoT Sync Error
2	EoT Sync Error
3	Escape Mode Entry Command Error
4	Low-Power Transmit Sync Error
5	Peripheral Timeout Error
6	False Control Error
7	Contention Detected
8	ECC Error, Single-bit (detected and corrected)
9	ECC Error, Multi-bit (detected, not corrected)
10	Checksum Error (Long packet only)
11	DSI Data Type Not Recognized
12	DSI VC ID Invalid
13	Invalid Transmission Length
14	Reserved
15	DSI Protocol Violation

**Table 7.3: Error Report Bit Definitions**

The first eight bits, bit 0 through bit 7, are related to the physical layer errors. Bits 8 and 9 are related to single-bit and multi-bit ECC errors. The remaining bits indicate DSI protocol-specific errors.



### 7.1.9. Video Mode Interface Timing

Video Mode peripherals require pixel data delivered in real time. This section specifies the format and timing of DSI traffic for this type of display module.

#### 7.1.9.1. Transmission Packet Sequences

DSI supports several formats, or packet sequences, for Video Mode data transmission. In the following sections, Burst Mode refers to time-compression of the RGB pixel (active video) portion of the transmission. In addition, these terms are used throughout the following sections:

- **Non-Burst Mode with Sync Pulses** – enables the peripheral to accurately reconstruct original video timing, including sync pulse widths.
- **Non-Burst Mode with Sync Events** – similar to above, but accurate reconstruction of sync pulse widths is not required, so a single Sync Event is substituted.
- **Burst mode** – RGB pixel packets are time-compressed, leaving more time during a scan line for LP mode (saving power) or for multiplexing other transmissions onto the DSI link.

In the following figures the Blanking or Low-Power Interval (BLLP) is defined as a period during which video packets such as pixel-stream and sync event packets are not actively transmitted to the peripheral.

To enable PHY synchronization the host processor should periodically end HS transmission and drive the Data Lanes to the LP state. This transition should take place at least once per frame; shown as LPM in the figures in this section. The host processor should return to LP state once per scanline during the horizontal blanking time.

During the BLLP the DSI Link may do any of the following:

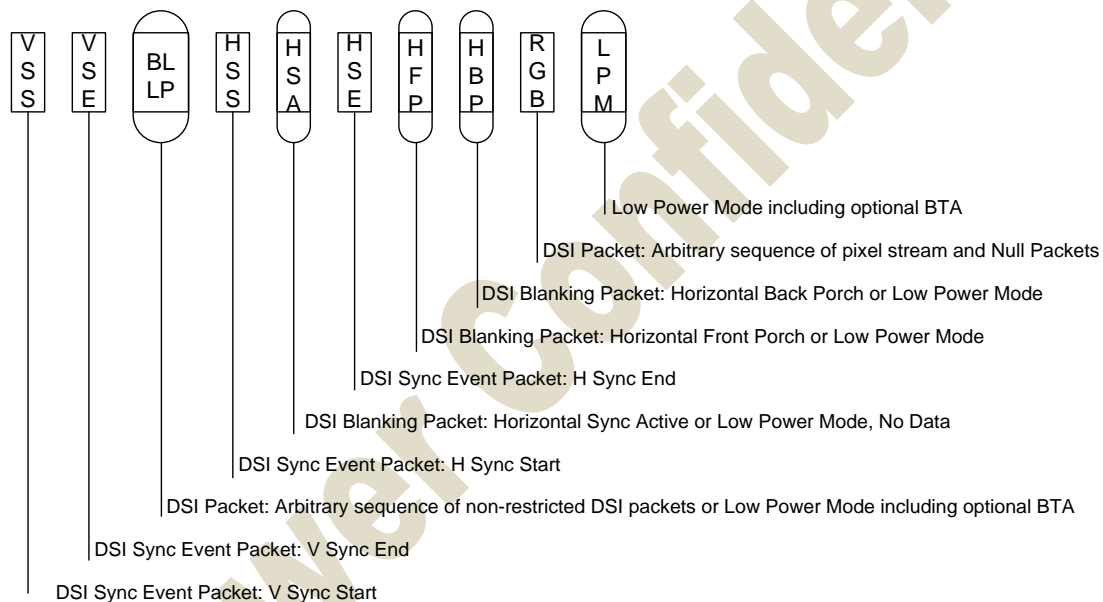
- Remain in Idle Mode with the host processor in LP-11 state and the peripheral in LP-RX
- Transmit one or more non-video packets from the host processor to the peripheral using Escape Mode
- Transmit one or more non-video packets from the host processor to the peripheral using HS Mode
- If the previous processor-to-peripheral transmission ended with BTA, transmit one or more packets from the peripheral to the host processor using Escape Mode

- Transmit one or more packets from the host processor to a different peripheral using a different Virtual Channel ID

The sequence of packets within the BLLP or RGB portion of a HS transmission is arbitrary. The host processor may compose any sequence of packets, including iterations, within the limits of the packet format definitions. For all timing cases, the first line of a frame shall start with VSS; all other lines shall start with VSE or HSS. Note that the position of synchronization packets, such as VSS and HSS, in time is of utmost importance since this has a direct impact on the visual performance of the display panel.

Normally, RGB pixel data is sent with one full scan line of pixels in a single packet.

Transmission packet components used in the figures in this section are defined in Figure 7.17 unless otherwise specified.

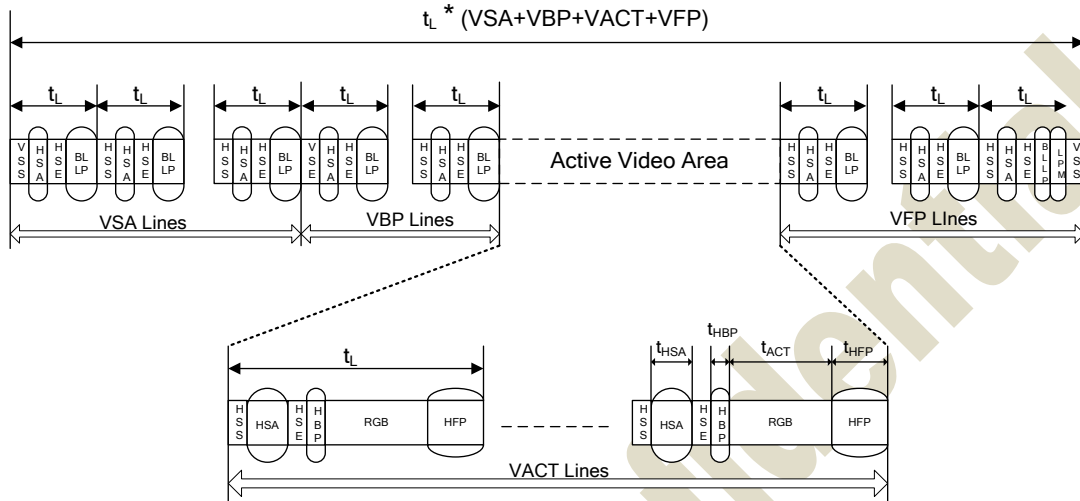


**Figure 7.17: Video Mode Interface Timing Legend**

If a peripheral timing specification for HBP or HFP minimum period is zero, the corresponding Blanking Packet may be omitted. If the HBP or HFP maximum period is zero, the corresponding blanking packet shall be omitted.

### 7.1.9.2. Non-Burst sync pulse mode

With this format, the goal is to accurately convey DPI-type timing over the DSI serial Link. This includes matching DPI pixel-transmission rates, and widths of timing events like sync pulses. Accordingly, synchronization periods are defined using packets transmitting both start and end of sync pulses. An example of this mode is shown in Figure 7.18.



**Figure 7.18: Video Mode Interface Timing: Non-Burst Transmission with Sync Start and End**

Normally, periods shown as HSA (Horizontal Sync Active), HBP (Horizontal Back Porch) and HFP (Horizontal Front Porch) are filled by Blanking Packets, with lengths (including packet overhead) calculated to match the period specified by the peripheral's data sheet. Alternatively, if there is sufficient time to transition from HS to LP mode and back again, a timed interval in LP mode may substitute for a Blanking Packet, thus saving power. During HSA, HBP and HFP periods, the bus should stay in the LP-11 state.

### 7.1.9.3. Non-Burst sync event mode

This mode is a simplification of the “Non-Burst Mode with Sync Pulses” format. Only the start of each synchronization pulse is transmitted. The peripheral may regenerate sync pulses as needed from each Sync Event packet received. An example of this mode is shown in Figure 7.19.

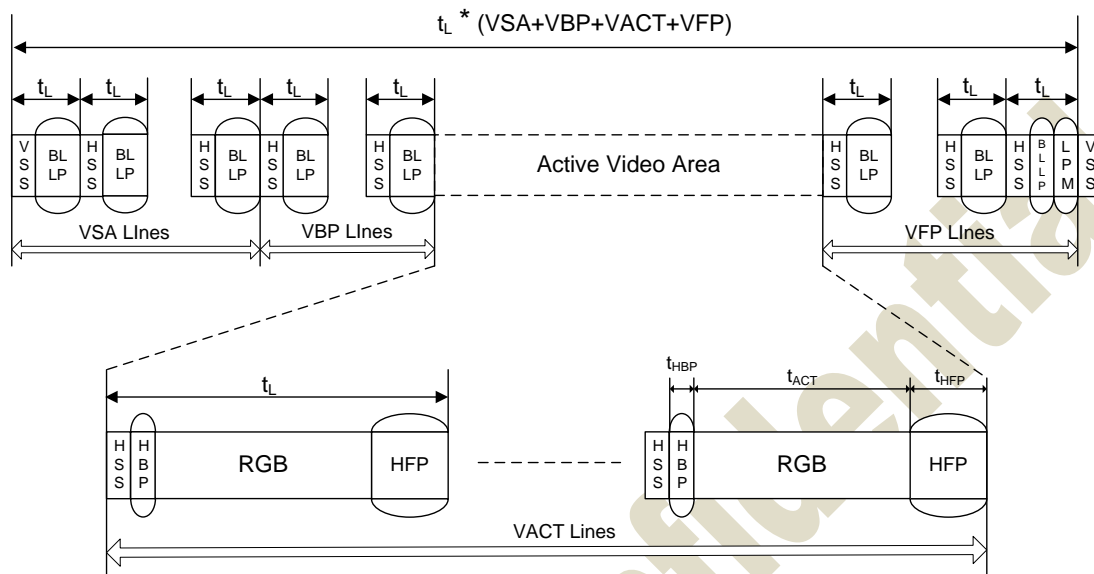


Figure 7.19: Video Mode Interface Timing: Non-burst Transmission with Sync Events

As with the previous Non-Burst Mode, if there is sufficient time to transition from HS to LP mode and back again, a timed interval in LP mode may substitute for a Blanking Packet, thus saving power.

#### 7.1.9.4. Burst mode

In this mode, blocks of pixel data can be transferred in a shorter time using a time-compressed burst format. This is a good strategy to reduce overall DSI power consumption, as well as enabling larger blocks of time for other data transmissions over the Link in either direction.

Following HS pixel data transmission, the bus may stay in HS Mode for sending blanking packets or go to Low Power Mode, during which it may remain idle, i.e. the host processor remains in LP-11 state, or LP transmission may take place in either direction. If the peripheral takes control of the bus for sending data to the host processor, its transmission time shall be limited to ensure data underflow does not occur from its internal buffer memory to the display device. An example of this mode is shown in Figure 7.20.

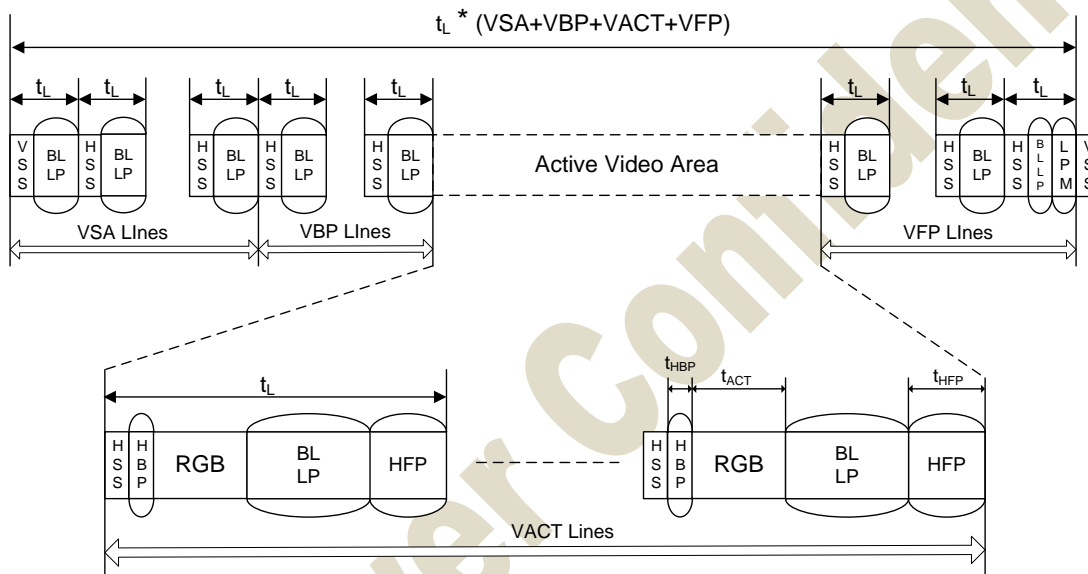


Figure 7.20: Video Mode Interface Timing: Burst Transmission

Similar to the Non-Burst Mode scenario, if there is sufficient time to transition from HS to LP mode and back again, a timed interval in LP mode may substitute for a Blanking Packet, thus saving power.

7.1.10. Error-Correcting Code and Checksum

7.1.10.1. Error-Correcting Code(ECC)

MIPI DSI uses Hamming Code Theory as ECC generate rule. The parity of each bits in ECC are showed as below.

$$P7=0$$

$$P6=0$$

$$P5=D10 \wedge D11 \wedge D12 \wedge D13 \wedge D14 \wedge D15 \wedge D16 \wedge D17 \wedge D18 \wedge D19 \wedge D21 \wedge D22 \wedge D23$$

$$P4=D4 \wedge D5 \wedge D6 \wedge D7 \wedge D8 \wedge D9 \wedge D16 \wedge D17 \wedge D18 \wedge D19 \wedge D20 \wedge D22 \wedge D23$$

$$P3=D1 \wedge D2 \wedge D3 \wedge D7 \wedge D8 \wedge D9 \wedge D13 \wedge D14 \wedge D15 \wedge D19 \wedge D20 \wedge D21 \wedge D23$$

$$P2=D0 \wedge D2 \wedge D3 \wedge D5 \wedge D6 \wedge D9 \wedge D11 \wedge D12 \wedge D15 \wedge D18 \wedge D20 \wedge D21 \wedge D22$$

$$P1=D0 \wedge D1 \wedge D3 \wedge D4 \wedge D6 \wedge D8 \wedge D10 \wedge D12 \wedge D14 \wedge D17 \wedge D20 \wedge D21 \wedge D22 \wedge D23$$

$$P0=D0 \wedge D1 \wedge D2 \wedge D4 \wedge D5 \wedge D7 \wedge D10 \wedge D11 \wedge D13 \wedge D16 \wedge D20 \wedge D21 \wedge D22 \wedge D23$$

ECC is generated from the twenty-four bits with in the Packet Header as illustrated in Figure 7.21, which also serves as an ECC calculation example.

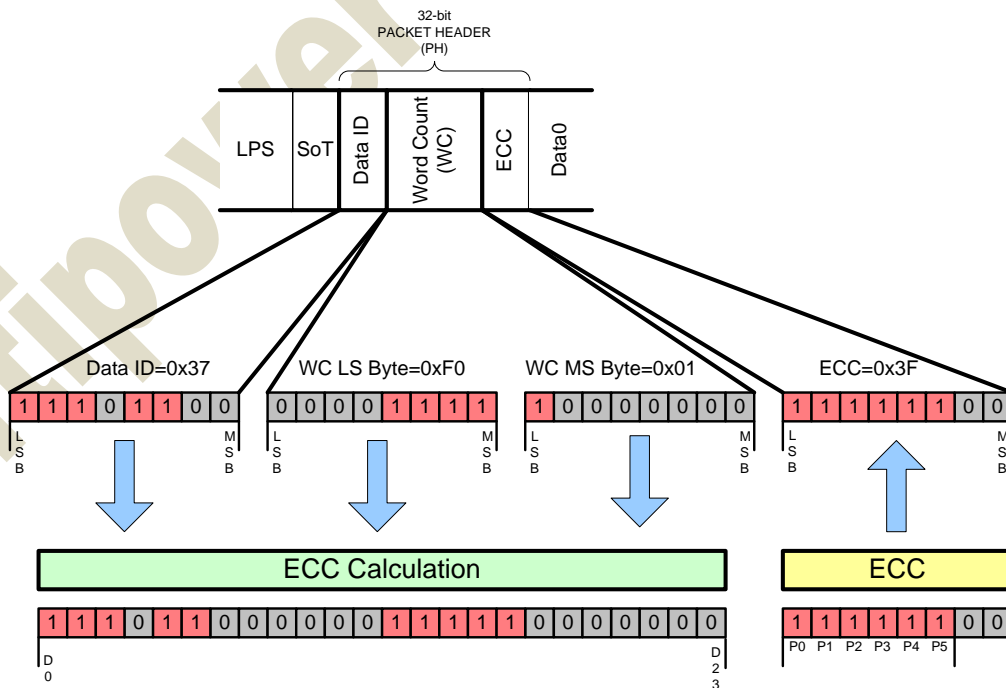
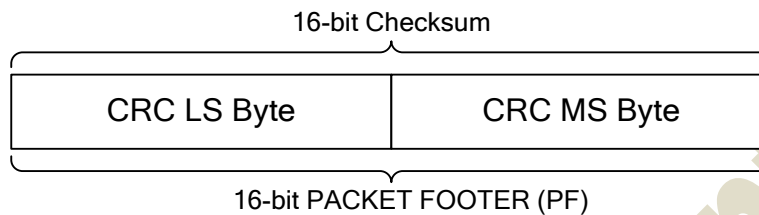


Figure 7.21: 24-bit ECC generation Example

### 7.1.10.2. Checksum Generation for Long Packet Payloads

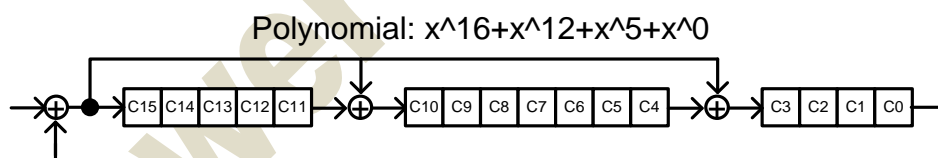
To detect errors in transmission of Long packets, a checksum is calculated over the payload portion of the data packet. Note that, for the special case of a zero-length payload, the 2-byte checksum is set to 0xFFFF. The checksum shall be realized as a 16-bit CRC with a generator polynomial of  $x^{16}+x^{12}+x^5+x^0$

The transmission of the checksum is illustrated in Figure 7.22. The LS byte is sent first, followed by the MS byte. Note that within the byte, the LS bit is sent first.



**Figure 7.22: Checksum Transmission**

The CRC implementation is presented in Figure 7.23. The CRC shift register shall be initialized to 0xFFFF before packet data enters. Packet data not including the Packet Header then enters as a bitwise data stream from the left, LS bit first. Each bit is fed through the CRC shift register before it is passed to the output for transmission to the peripheral. After all bytes in the packet payload have passed through the CRC shift register, the shift register contains the checksum. C15 contains the checksum's MSB and C0 the LSB of the 16-bit checksum. The checksum is then appended to the data stream and sent to the receiver. The receiver uses its own generated CRC to verify that no errors have occurred in transmission.



**Figure 7.23: 16-bit CRC Generation Using a Shift Register**

## 7.1.11.DPHY

### 7.1.11.1.Lane Module

A PHY configuration contains a Clock Lane Module and one or more Data Lane Modules. Each of these PHY Lane Modules communicates via two Lines to a complementary part at the other side of the Lane Interconnect. Each Lane Module consists of one or more differential High-Speed functions utilizing both interconnect wires simultaneously, one or more single-ended Low-Power functions operating on each of the interconnect wires individually, and control & interface logic. For proper operation, the set of functions in the Lane Modules on both sides of the Lane Interconnect has to be matched.

#### 7.1.11.1.1. Lane Module Type of Clock Lane, Data0, Data1 and Data2

The required functions in a Lane Module depend on the Lane type and which side (master or slave) of the Lane Interconnect the Lane Module is located. There are three main Lane types: Clock Lane, Unidirectional Data Lane and Bi-directional Data Lane. Several PHY configurations can be constructed with these Lane types. In JD9365D Below show the lane module architecture of each lane.

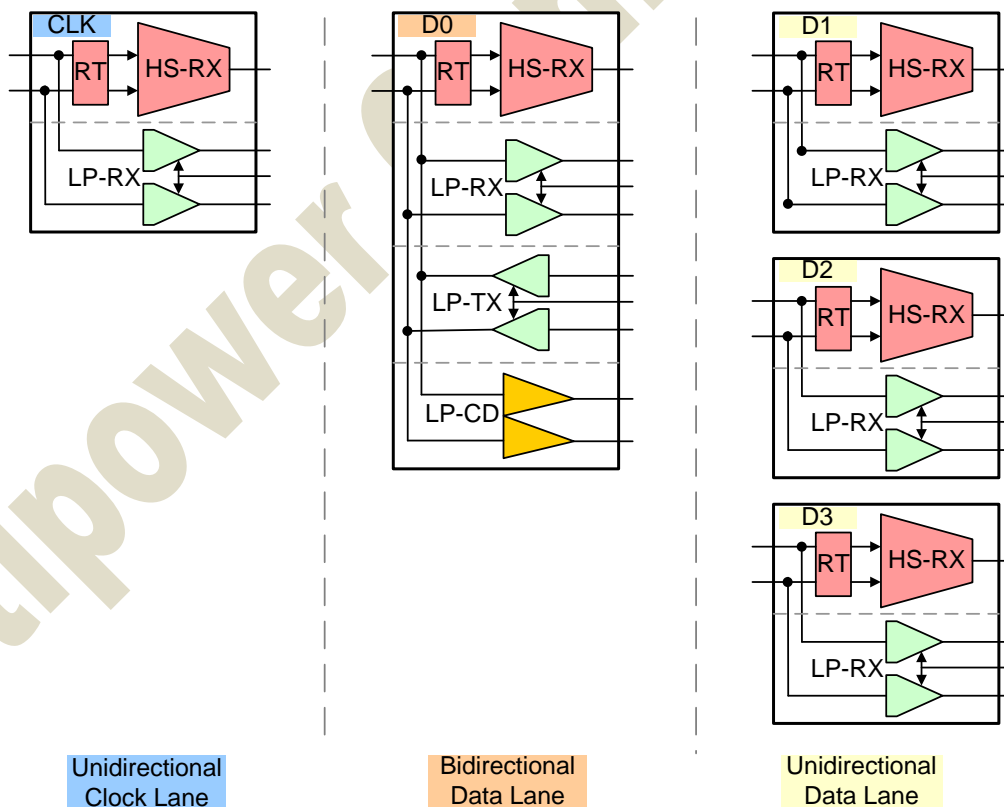


Figure 7.24: Lane Module Type



### 7.1.11.2. Master and Slave

Each Link has a Master and a Slave side. The Master provides the High-Speed DDR Clock signal to the Clock Lane and is the main data source. The Slave receives the clock signal at the Clock Lane and is the main data sink. The main direction of data communication, from source to sink, is denoted as the Forward direction. Data communication in the opposite direction is called Reverse transmission. Only bi-directional Data Lanes can transmit in the Reverse direction. In all cases, the Clock Lane remains in the Forward direction, but bi-directional Data Lane(s) can be turned around, sourcing data from the Slave side.

JD9365D serves as Slave side.

### 7.1.11.3. Lane States and Line Levels

Transmitter functions determine the Lane state by driving certain Line levels. During normal operation either a HS-TX or a LP-TX is driving a Lane. A HS-TX always drives the Lane differentially. The two LP-TX's drive the two Lines of a Lane independently and single-ended. This results in two possible High-Speed Lane states and four possible Low-Power Lane states. The High-Speed Lane states are Differential-0 and Differential-1. The interpretation of Low-Power Lane states depends on the mode of operation. The LP-Receiver shall always interpret both High-Speed differential states as LP-00.

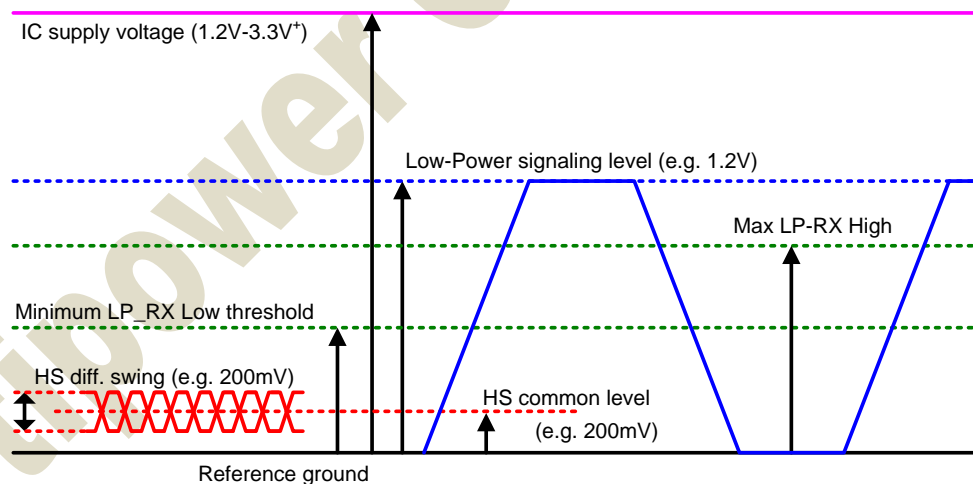


Figure 7.25: Line Levels

The Stop state has a very exclusive and central function. If the Line levels show a Stop state for the minimum required time, the PHY state machine shall return to the Stop state regardless of the previous state. This can be in RX or TX mode depending on the most recent operating direction. Table 7.4 lists all the states that can appear on a Lane during normal operation. All LP state periods shall be at least TLPX in duration. State transitions shall be smooth and exclude glitch effects. A clock signal can be reconstructed by exclusive-ORing the Dp and Dn Lines. Ideally, the reconstructed

clock has a duration of at least  $2 \cdot T_{LPX}$ , but may have a duty cycle other than 50% due to signal slope and trip levels effects.

Start Code	Line Voltage Levels		High-Speed	Low-Power	
	Dp-Line	Dn-Line	Burst Mode	Control Mode	Escape Mode
HS-0	HS Low	HS High	Differential-0	N/A	N/A
HS-1	HS High	HS Low	Differential-1	N/A	N/A
LP-00	LP Low	LP Low	N/A	Bridge	Space
LP-01	LP Low	LP High	N/A	HS-Rqst	Mark-0
LP-10	LP High	LP Low	N/A	LP-Rqst	Mark-1
LP-11	LP High	LP High	N/A	Stop	N/A

Table 7.4: Lane State Descriptions

#### 7.1.11.4. Bi-directional Data Lane Turnaround

The transmission direction of a bi-directional Data Lane can be swapped by means of a Link Turnaround procedure. This procedure enables information transfer in the opposite direction of the current direction. The procedure is the same for either a change from Forward-to-Reverse direction or Reverse-to-Forward direction. Notice that Master and Slave side shall not be changed by Turnaround.

Figure 7.26 shows the Turnaround procedure graphically.

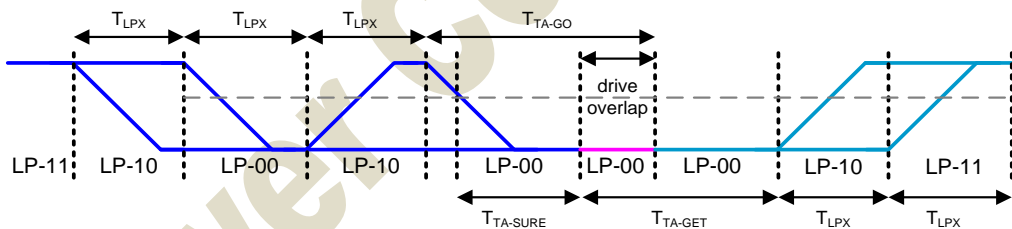


Figure 7.26: Turnaround Procedure

7.1.11.5. Escape Mode

Escape mode is a special mode of operation for Data Lanes using Low-Power states. With this mode some additional functionality becomes available. A Data Lane shall enter Escape mode via an Escape mode Entry procedure (LP-11, LP-10, LP-00, LP-01, LP-00). As soon as the final Bridge state (LP-00) is observed on the Lines the Lane shall enter Escape mode in Space state (LP-00). If an LP-11 is detected at any time before the final Bridge state (LP-00), the Escape mode Entry procedure shall be aborted and the receive side shall wait for, or return to, the Stop state.

For Data Lanes, once Escape mode is entered, the transmitter shall send an 8-bit entry command, by Spaced-One-Hot coding, to indicate the requested action. Table 7.5 lists all supported Escape mode commands and actions.

Spaced-One-Hot coding means that each Mark state is interleaved with a Space state. Each symbol consists therefore of two parts: a One-Hot phase (Mark-0 or Mark-1) and a Space phase. The TX shall send Mark-0 followed by a Space to transmit a ‘zero-bit’ and it shall send a Mark-1 followed by a Space to transmit a ‘one-bit’. A Mark that is not followed by a Space does not represent a bit. The last phase before exiting Escape mode with a Stop state shall be a Mark-1 state that is not part of the communicated bits, as it is not followed by a Space state.

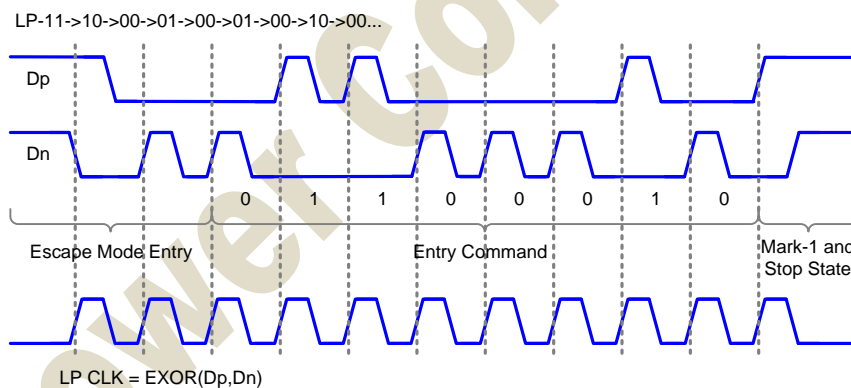


Figure 7.27: Trigger-Reset Command in Escape Mode

Escape Mode Action	Command Type	Entry Command Pattern (first bit transmitted to last bit transmitted)
Low-Power Data Transmission	mode	11100001
Ultra-Low power State	mode	00011110
Reset-Trigger	Trigger	01100010
TE-Trigger	Trigger	01011101
Acknowledge	Trigger	00100001

Table 7.5: Escape Entry Codes

### 7.1.11.5.1. Remote Trigger

Trigger signaling is the mechanism to send a flag to the protocol at the receiving side, on request of the protocol on the transmitting side. This can be either in the Forward or Reverse direction depending on the direction of operation and available Escape mode functionality. Trigger signaling requires Escape mode capability and at least one matching Trigger Escape Entry Command on both sides of the interface. Any bit received after a Trigger Command but before the Lines go to Stop state shall be ignored. Therefore, dummy bytes can be concatenated in order to provide Clock information to the receive side.

### 7.1.11.5.2. Low-Power Data Transmission(LPDT)

If the Escape mode Entry procedure is followed-up by the Entry Command for Low-Power Data Transmission (LPDT), Data can be communicated by the protocol at low speed, while the Lane remains in Low-Power mode. Data shall be encoded on the lines with the same Spaced-One-Hot code as used for the Entry Commands. The data is self-clocked by the applied bit encoding and does not rely on the Clock Lane. The Lane can pause while using LPDT by maintaining a Space state on the Lines. A Stop state on the Lines stops LPDT, exits Escape mode, and switches the Lane to Control mode. The last phase before Stop state shall be a Mark-1 state, which does not represent a data-bit. At the end of LPDT the Lane shall return to the Stop state.

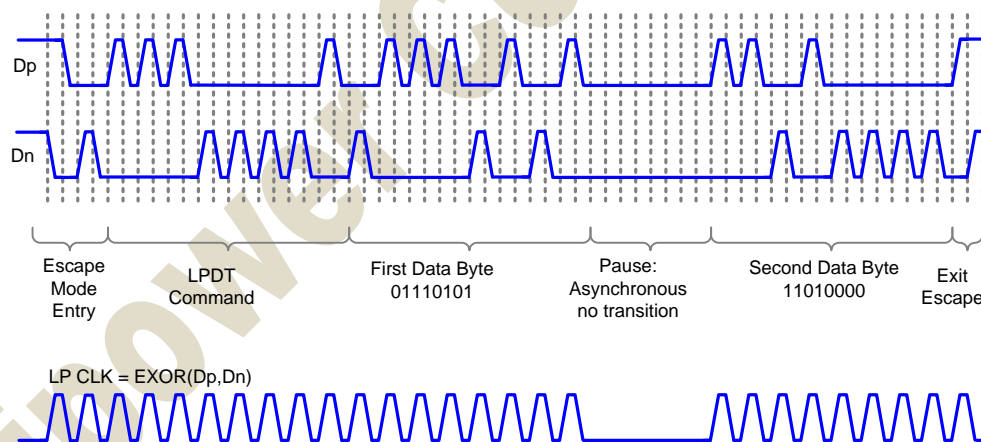


Figure 7.28: Two Data Byte Low-Power Data Transmission Example

### 7.1.11.5.3. Ultra-Low Power State(ULPS)

If the Ultra-Low Power State Entry Command is sent after an Escape mode Entry command, the Lane shall enter the Ultra-Low Power State (ULPS). This command shall be flagged to the receive side Protocol. During this state, the Lines are in the Space state (LP-00). Ultra-Low Power State is exited by means of a Mark-1 state with a length TWAKEUP followed by a Stop state.

### 7.1.11.5.4. TE Trigger

A Command Mode display module has its own timing controller and local frame buffer

for display refresh. In some cases the host processor needs to be notified of timing events on the display module, e.g. the start of vertical blanking or similar timing information. In a traditional parallel-bus interface like DBI-2, a dedicated signal wire labeled TE (Tearing Effect) is provided to convey such timing information to the host processor. In a DSI system, the same information, with reasonably low latency, shall be transmitted from the display module to the host processor when requested, using the bidirectional Data Lane.

For polling to the display module, the host processor shall detect the current scan line information with a DCS command such as `get_scan_line` to avoid Tearing Effects. For TE-reporting from the display module, the TE-reporting function is enabled and disabled by three DCS commands to the display module's controller: `set_tear_on`, `set_tear_scanline`, and `set_tear_off`.

`set_tear_on` and `set_tear_scanline` are sent to the display module as DSI Data Type 0x15 (DCS Short Write, one parameter) and DSI Data Type 0x39 (DCS Long Write/write\_LUT), respectively. The host processor ends the transmission with Bus Turn-Around asserted, giving bus possession to the display module. Since the display module's DSI Protocol layer does not interpret DCS commands, but only passes them through to the display controller, it responds with a normal Acknowledge and returns bus possession to the host processor. In this state, the display module cannot report TE events to the host processor since it does not have bus possession.

To enable TE-reporting, the host processor shall give bus possession to the display module without an accompanying DSI command transmission after TE reporting has been enabled. This is accomplished by the host processor's protocol logic asserting (internal) Bus Turn-Around signal to its D-PHY functional block. The PHY layer will then initiate a Bus Turn-Around sequence in LP mode, which gives bus possession to the display module.

Since the timing of a TE event is, by definition, unknown to the host processor, the host processor shall give bus possession to the display module and then wait for up to one video frame period for the TE response. During this time, the host processor cannot send new commands, or requests to the display module, because it does not have bus possession.

When the TE event takes place the display module shall send TE event information in LP mode using a specified trigger message available with D-PHY protocol via the following sequence:

- The display module shall send the LP Escape Mode sequence
- The display module shall then send the trigger message byte 01011101 (shown here in first bit to last bit sequence)

- The display module shall then return bus possession to the host processor

This Trigger Message is reserved by DSI for TE signaling only and shall not be used for any other purpose in a DSI-compliant interface.

fitipower Confidential

## 7.1.12.High Speed Transmission

### 7.1.12.1.Burst Payload Data

The payload data of a burst shall always represent an integer number of payload data bytes with a minimum length of one byte. Note that for short bursts the Start and End overhead consumes much more time than the actual transfer of the payload data.

There is no maximum number of bytes implied by the PHY. However, in the PHY there is no autonomous way of error recovery during a HS data burst and the practical BER will not be zero. Therefore, it is important to consider for every individual protocol what the best choice is for maximum burst length.

### 7.1.12.2.Start-of-Transmission

After a Transmit request, a Data Lane leaves the Stop state and prepares for High-Speed mode by means of a Start-of-Transmission (SoT) procedure. Table 7.6 describes the sequence of events on TX and RX side.

TX Side	RX Side
Drives Stop state (LP-11)	Observes Stop state
Drives HS-Rqst state (LP-01) for time $T_{LPX}$	Observes transition from LP-11 to LP-01 on the Lines
Drives Bridge state (LP-00) for time $T_{HS-PREPARE}$	Observes transition from LP-01 to LP-00 on the Lines, enables Line Termination after time $T_{D-TERM-EN}$
Enables High-Speed driver and disables Low-Powerdrivers simultaneously.	
Drives HS-0 for a time $T_{HS-ZERO}$	Enables HS-RX and waits for timer $T_{HS-SETTLE}$ to expire in order to neglect transition effects
	Starts looking for Leader-Sequence
Inserts the HS Sync-Sequence '00011101' beginning on a rising Clock edge	
	Synchronizes upon recognition of Leader Sequence '011101'
Continues to Transmit High-Speed payload data	
	Receives payload data

Table 7.6: Start-of-Transmission Sequence

### 7.1.12.3. End-of-Transmission

At the end of a Data Burst, a Data Lane leaves High-Speed Transmission mode and enters the Stop state by means of an End-of-Transmission (EoT) procedure. Table 7.7 shows a possible sequence of events during the EoT procedure. Note, EoT processing may be handled by the protocol or by the D-PHY.

TX Side	RX Side
Completes Transmission of payload data	Receives payload data
Toggles differential state immediately after last payload data bit and keeps that state for a time $T_{HS-TRAIL}$	
Disables the HS-TX, enables the LP-TX, and drives Stop state (LP-11) for a time $T_{HS-EXIT}$	Detects the Lines leaving LP-00 state and entering Stop state (LP-11) and disables Termination
	Neglect bits of last period $T_{HS-SKIP}$ to hide transition effects
	Detect last transition in valid Data, determine last valid Data byte and skip trailer sequence

Table 7.7: End-of-Transmission Sequence



### 7.1.12.4. High Speed Data Transmission

Figure 7.29 shows the sequence of events during the transmission of a Data Burst. Transmission can be started and ended independently for any Lane by the protocol. However, for most applications the Lanes will start synchronously but may end at different times due to an unequal amount of transmitted bytes per Lane.

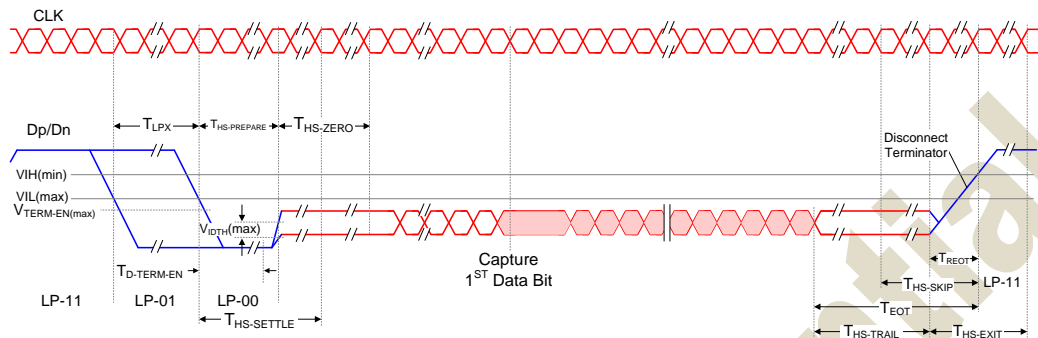


Figure 7.29: High-Speed Data Transmission in Bursts

### 7.1.12.5. High Speed Clock Transmission

In High-Speed mode the Clock Lane provides a low-swing, differential DDR (half-rate) clock signal from Master to Slave for High-Speed Data Transmission. The Clock signal shall have quadrature-phase with respect to a toggling bit sequence on a Data Lane in the Forward direction and a rising edge in the center of the first transmitted bit of a burst. The detail Clock Start and Stop procedures are shown in Figure 7.30.

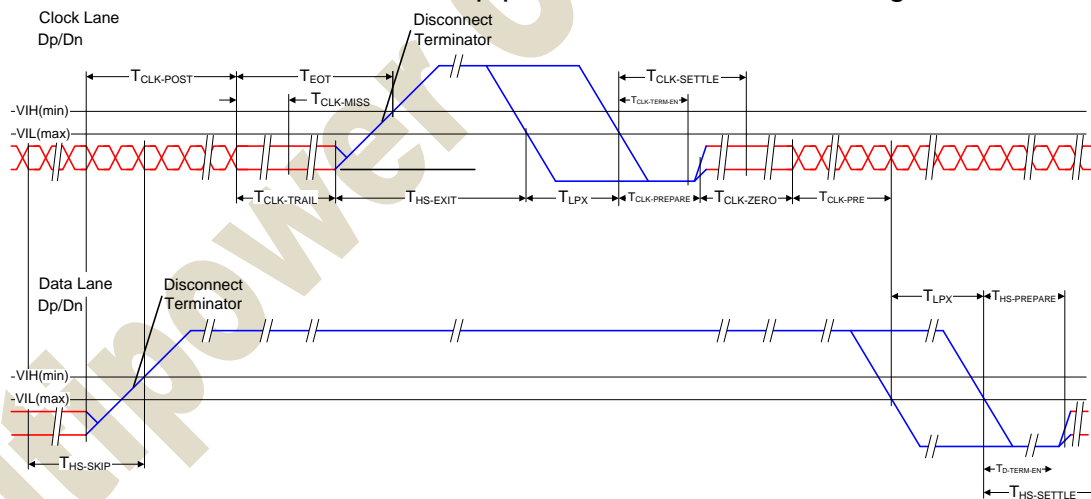


Figure 7.30: Switching the Clock Lane between Clock Transmission and Low-Power Mode

7.1.13. System Power state

Each Lane within a PHY configuration, that is powered and enabled, has potentially three different power consumption levels: High-Speed Transmission mode, Low-Power mode and Ultra-Low Power State.

7.1.13.1. Initialization

After power-up, the Slave side PHY shall be initialized when the Master PHY drives a Stop State (LP-11) for a period longer than TINIT. The first Stop state longer than the specified TINIT is called the Initialization period. The Master side shall ensure that a Stop State longer than TINIT does not occur on the Lines before the Master is initialized.

TINIT must larger than 500us.

7.1.13.2. Global Operation Flow Diagram

Figure 7.31 shows the operational flow diagram for a Data Lane Module. Within both TX and RX four main processes can be distinguished: High-Speed Transmission, Escape mode, Turnaround, and Initialization.

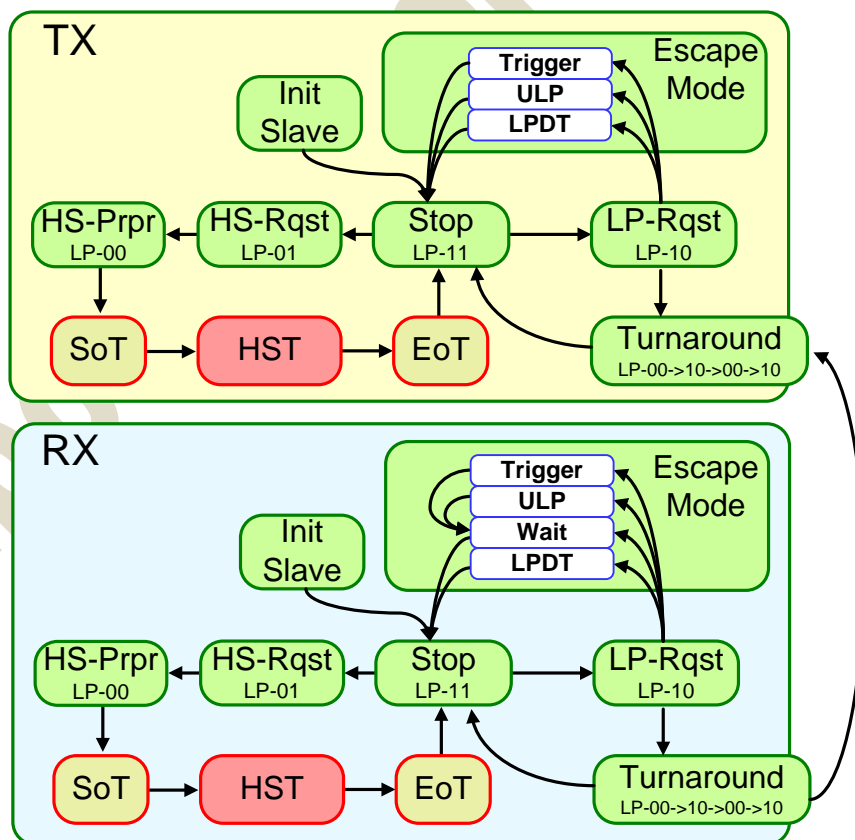


Figure 7.31: Data Lane Module State Diagram

Figure 7.32 shows the state diagram for a Clock Lane Module. The Clock Lane Module has four major operational states: Init (of unspecified duration), Low-Power Stop state, Ultra-Low Power state, and High-Speed clock transmission.

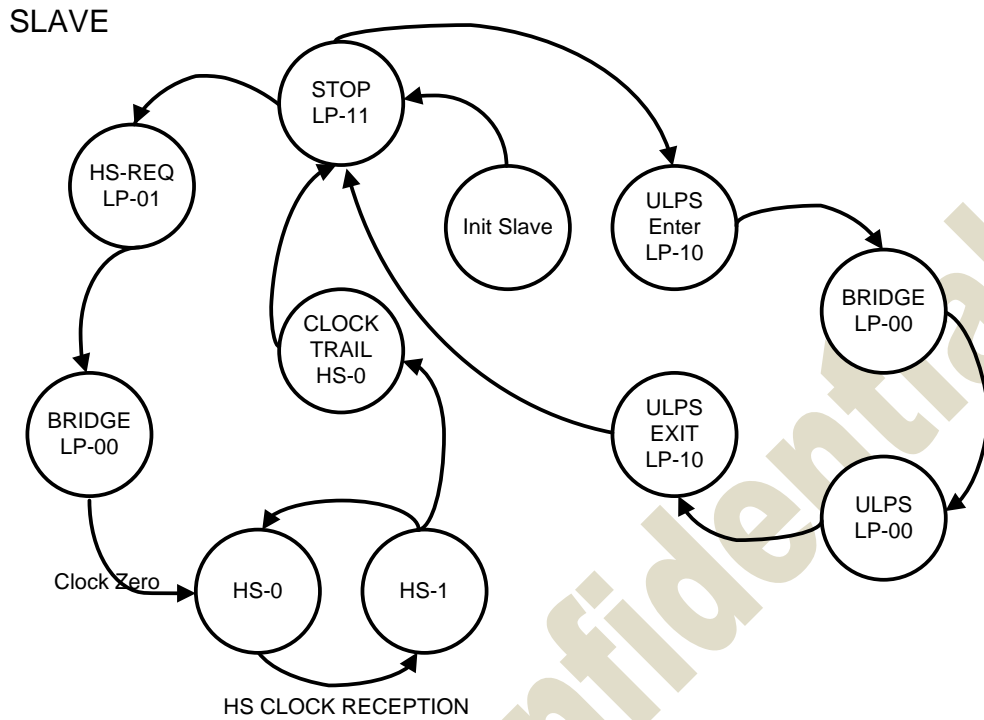


Figure 7.32: Clock Lane Module State Diagram

fitipower Confidential

## 8. Gamma Structure Description

### 8.1. Adjustable gamma characteristic

The JD9365D includes gamma adjustment function for the 16.7M colors display (256 grayscale for R-/G-/B- color). Gamma adjustment operation is implemented by 19 gamma adjustment control registers to meet the characteristic of LCD panel. Then total 512 grayscale levels are generated in Positive-/Negative- grayscale voltage. These registers are available for both polarities.

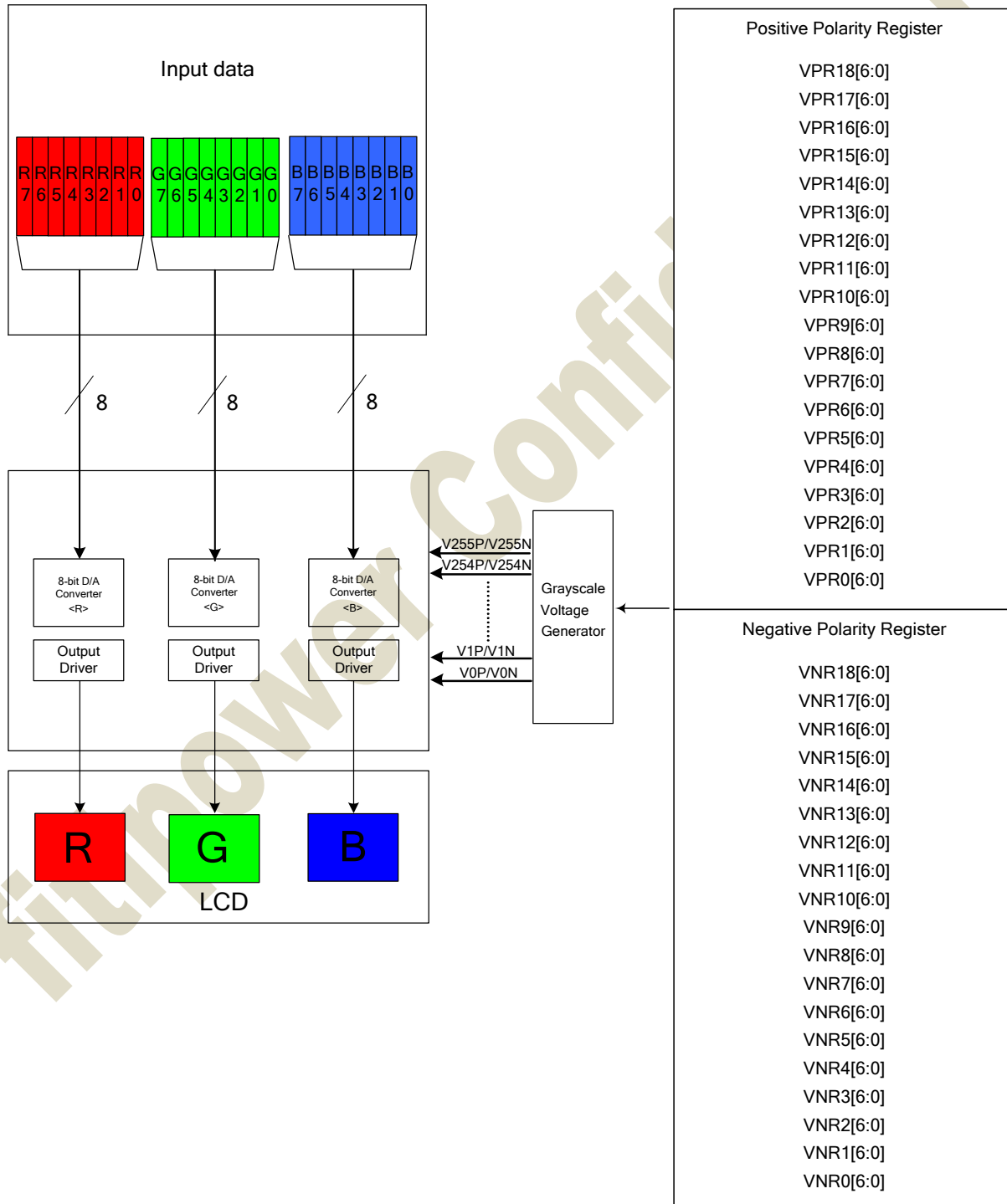


Figure 8.1: Grayscale control

## 8.2. Grayscale-Level adjustment control

The JD9365D has register groups for specifying a series grayscale voltage that meets the Gamma-characteristics for the LCD panel. These registers are belong amplitude adjustment of the voltage for the grayscale characteristics. The polarity of each register can be specified independently.

### Amplitude adjustment registers

The amplitude adjustment variable registers are used to adjust the amplitude of the grayscale voltage. his function is implemented by controlling the 127-to-1 selectors (PR/NR0~18), each one of whole has 7 bits and generates one reference voltage output (VO(P/N)0, 4, 8, 12, 20, 28, 44, 64, 96, 128, 159, 191, 211, 227, 235, 243, 247, 251, 255). These registers are available for both positive and negative polarities.

Register Groups	Positive Polarity	Negative Polarity	Description
Amplitude Adjustment	VPR18 6-0	VNR18 6-0	Variable resistor(VPR/NR18) for VO(P/N)255
	VPR17 6-0	VNR17 6-0	Variable resistor(VPR/NR17) for VO(P/N)251
	VPR16 6-0	VNR16 6-0	Variable resistor(VPR/NR16) for VO(P/N)247
	VPR15 6-0	VNR15 6-0	Variable resistor(VPR/NR15) for VO(P/N)243
	VPR14 6-0	VNR14 6-0	Variable resistor(VPR/NR14) for VO(P/N)235
	VPR13 6-0	VNR13 6-0	Variable resistor(VPR/NR13) for VO(P/N)227
	VPR12 6-0	VNR12 6-0	Variable resistor(VPR/NR12) for VO(P/N)211
	VPR11 6-0	VNR11 6-0	Variable resistor(VPR/NR11) for VO(P/N)191
	VPR10 6-0	VNR10 6-0	Variable resistor(VPR/NR10) for VO(P/N)159
	VPR9 6-0	VNR9 6-0	Variable resistor(VPR/NR9) for VO(P/N)128
	VPR8 6-0	VNR8 6-0	Variable resistor(VPR/NR8) for VO(P/N)96
	VPR7 6-0	VNR7 6-0	Variable resistor(VPR/NR7) for VO(P/N)64
	VPR6 6-0	VNR6 6-0	Variable resistor(VPR/NR6) for VO(P/N)44
	VPR5 6-0	VNR5 6-0	Variable resistor(VPR/NR5) for VO(P/N)28
	VPR4 6-0	VNR4 6-0	Variable resistor(VPR/NR4) for VO(P/N)20
	VPR3 6-0	VNR3 6-0	Variable resistor(VPR/NR3) for VO(P/N)12
	VPR2 6-0	VNR2 6-0	Variable resistor(VPR/NR2) for VO(P/N)8
	VPR1 6-0	VNR1 6-0	Variable resistor(VPR/NR1) for VO(P/N)4
	VPR0 6-0	VNR0 6-0	Variable resistor(VPR/NR0) for VO(P/N)0

Table 8.1: Gamma-Adjustment registers

Gamma resistor stream and 127 to 1 selector

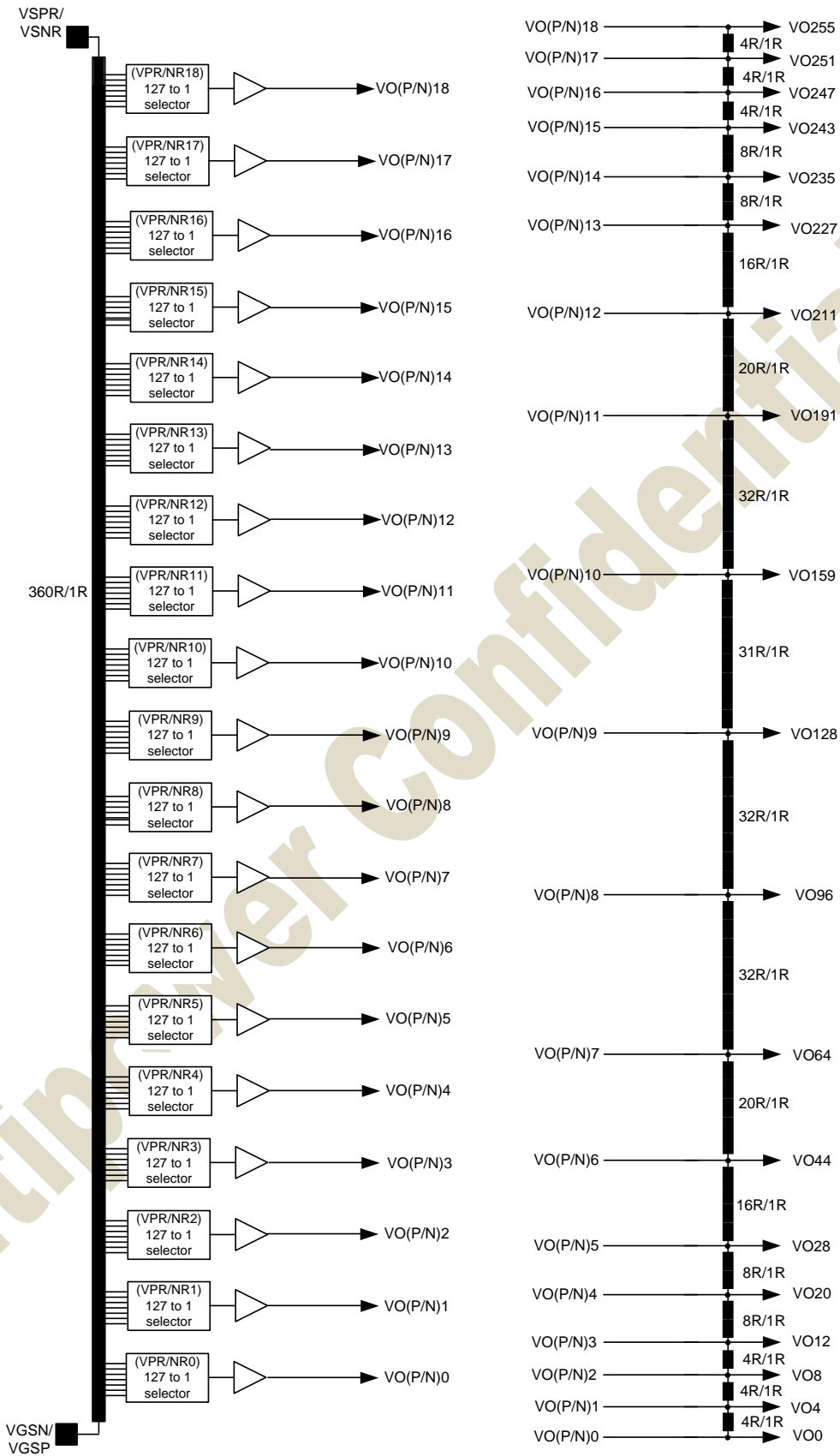


Figure 8.2: Gamma resistor stream and gamma reference voltage

### 8.2.1. Variable resistor ratio & Voltage levels

The resistances are decided by setting values in the Amplitude adjustment register. The relationships are the same for VPR/NR 0 ~18, shown below.

Value in Register VPR/NR 0~18 (6-0)	Resistance VPR/NR 0~18
0000000	0R
0000001	1R
0000010	2R
0000011	3R
•	•
•	•
0011101	29R
0011110	30R
0011111	31R
0100000	32R
0100001	33R
0100010	34R
•	•
•	•
1000000	64R
1000001	65R
1000010	66R
1000011	67R
•	•
•	•
1100000	96R
1100001	97R
1100010	98R
1100011	99R
•	•
•	•
1111100	124R
1111101	125R
1111110	126R
1111111	127R

The voltage levels are determined by the following formulas:

Reference voltage	Amplitude adjustment value	VOP15~18 formula	
VOP15~18	VPR15~18 6-0 = 0000000	$((360R-128R) / 360R) * (VGMP - VGSP) + VGSP$	
	VPR15~18 6-0 = 0000001	$((360R-127R) / 360R) * (VGMP - VGSP) + VGSP$	
	VPR15~18 6-0 = 0000010	$((360R-126R) / 360R) * (VGMP - VGSP) + VGSP$	
	VPR15~18 6-0 = 0000011	$((360R-125R) / 360R) * (VGMP - VGSP) + VGSP$	
	VPR15~18 6-0 = 0000100	$((360R-124R) / 360R) * (VGMP - VGSP) + VGSP$	
	VPR15~18 6-0 = 0000101	$((360R-123R) / 360R) * (VGMP - VGSP) + VGSP$	
	VPR15~18 6-0 = 0000110	$((360R-122R) / 360R) * (VGMP - VGSP) + VGSP$	
	VPR15~18 6-0 = 0000111	$((360R-121R) / 360R) * (VGMP - VGSP) + VGSP$	
	VPR15~18 6-0 = 0001000	$((360R-120R) / 360R) * (VGMP - VGSP) + VGSP$	
	VPR15~18 6-0 = 0001001	$((360R-119R) / 360R) * (VGMP - VGSP) + VGSP$	
	VPR15~18 6-0 = 0001010	$((360R-117R) / 360R) * (VGMP - VGSP) + VGSP$	
	VPR15~18 6-0 = 0001011	$((360R-116R) / 360R) * (VGMP - VGSP) + VGSP$	
	VPR15~18 6-0 = 0001100	$((360R-115R) / 360R) * (VGMP - VGSP) + VGSP$	
	VPR15~18 6-0 = 0001101	$((360R-114R) / 360R) * (VGMP - VGSP) + VGSP$	
	VPR15~18 6-0 = 0001110	$((360R-113R) / 360R) * (VGMP - VGSP) + VGSP$	
	VPR15~18 6-0 = 0001111	$((360R-112R) / 360R) * (VGMP - VGSP) + VGSP$	
	VPR15~18 6-0 = 0010000	$((360R-111R) / 360R) * (VGMP - VGSP) + VGSP$	
		▪	▪
		▪	▪
		▪	▪
	VPR15~18 6-0 = 1000000	$((360R-64R) / 360R) * (VGMP - VGSP) + VGSP$	
	VPR15~18 6-0 = 1000001	$((360R-63R) / 360R) * (VGMP - VGSP) + VGSP$	
	VPR15~18 6-0 = 1000010	$((360R-62R) / 360R) * (VGMP - VGSP) + VGSP$	
	VPR15~18 6-0 = 1000011	$((360R-61R) / 360R) * (VGMP - VGSP) + VGSP$	
	VPR15~18 6-0 = 1000100	$((360R-60R) / 360R) * (VGMP - VGSP) + VGSP$	
	VPR15~18 6-0 = 1000101	$((360R-59R) / 360R) * (VGMP - VGSP) + VGSP$	
	VPR15~18 6-0 = 1000110	$((360R-58R) / 360R) * (VGMP - VGSP) + VGSP$	
	VPR15~18 6-0 = 1000111	$((360R-57R) / 360R) * (VGMP - VGSP) + VGSP$	
	VPR15~18 6-0 = 1001000	$((360R-56R) / 360R) * (VGMP - VGSP) + VGSP$	
	VPR15~18 6-0 = 1001001	$((360R-55R) / 360R) * (VGMP - VGSP) + VGSP$	
	VPR15~18 6-0 = 1001010	$((360R-54R) / 360R) * (VGMP - VGSP) + VGSP$	
	VPR15~18 6-0 = 1001011	$((360R-53R) / 360R) * (VGMP - VGSP) + VGSP$	
	VPR15~18 6-0 = 1001100	$((360R-52R) / 360R) * (VGMP - VGSP) + VGSP$	
	VPR15~18 6-0 = 1001101	$((360R-51R) / 360R) * (VGMP - VGSP) + VGSP$	
	VPR15~18 6-0 = 1001110	$((360R-50R) / 360R) * (VGMP - VGSP) + VGSP$	
	VPR15~18 6-0 = 1001111	$((360R-49R) / 360R) * (VGMP - VGSP) + VGSP$	
	VPR15~18 6-0 = 1010000	$((360R-48R) / 360R) * (VGMP - VGSP) + VGSP$	
		▪	▪
		▪	▪
		▪	▪
	VPR15~18 6-0 = 1110001	$((360R-15R) / 360R) * (VGMP - VGSP) + VGSP$	
	VPR15~18 6-0 = 1110010	$((360R-14R) / 360R) * (VGMP - VGSP) + VGSP$	
	VPR15~18 6-0 = 1110011	$((360R-13R) / 360R) * (VGMP - VGSP) + VGSP$	
	VPR15~18 6-0 = 1110100	$((360R-12R) / 360R) * (VGMP - VGSP) + VGSP$	
	VPR15~18 6-0 = 1110101	$((360R-11R) / 360R) * (VGMP - VGSP) + VGSP$	
VPR15~18 6-0 = 1110110	$((360R-10R) / 360R) * (VGMP - VGSP) + VGSP$		
VPR15~18 6-0 = 1110111	$((360R-9R) / 360R) * (VGMP - VGSP) + VGSP$		
VPR15~18 6-0 = 1111000	$((360R-8R) / 360R) * (VGMP - VGSP) + VGSP$		
VPR15~18 6-0 = 1111001	$((360R-7R) / 360R) * (VGMP - VGSP) + VGSP$		
VPR15~18 6-0 = 1111010	$((360R-6R) / 360R) * (VGMP - VGSP) + VGSP$		
VPR15~18 6-0 = 1111011	$((360R-5R) / 360R) * (VGMP - VGSP) + VGSP$		
VPR15~18 6-0 = 1111100	$((360R-4R) / 360R) * (VGMP - VGSP) + VGSP$		
VPR15~18 6-0 = 1111101	$((360R-3R) / 360R) * (VGMP - VGSP) + VGSP$		
VPR15~18 6-0 = 1111110	$((360R-2R) / 360R) * (VGMP - VGSP) + VGSP$		
VPR15~18 6-0 = 1111111	$((360R-1R) / 360R) * (VGMP - VGSP) + VGSP$		

Table 8.2: VOP15~18



Reference voltage	Amplitude adjustment value	VOP13/VOP14 formula	
VOP13/VOP14	VPR13/14 6-0 = 0000000	$((344R-128R) / 360R) * (VGMP - VGSP) + VGSP$	
	VPR13/14 6-0 = 0000001	$((344R-127R) / 360R) * (VGMP - VGSP) + VGSP$	
	VPR13/14 6-0 = 0000010	$((344R-126R) / 360R) * (VGMP - VGSP) + VGSP$	
	VPR13/14 6-0 = 0000011	$((344R-125R) / 360R) * (VGMP - VGSP) + VGSP$	
	VPR13/14 6-0 = 0000100	$((344R-124R) / 360R) * (VGMP - VGSP) + VGSP$	
	VPR13/14 6-0 = 0000101	$((344R-123R) / 360R) * (VGMP - VGSP) + VGSP$	
	VPR13/14 6-0 = 0000110	$((344R-122R) / 360R) * (VGMP - VGSP) + VGSP$	
	VPR13/14 6-0 = 0000111	$((344R-121R) / 360R) * (VGMP - VGSP) + VGSP$	
	VPR13/14 6-0 = 0001000	$((344R-120R) / 360R) * (VGMP - VGSP) + VGSP$	
	VPR13/14 6-0 = 0001001	$((344R-119R) / 360R) * (VGMP - VGSP) + VGSP$	
	VPR13/14 6-0 = 0001010	$((344R-117R) / 360R) * (VGMP - VGSP) + VGSP$	
	VPR13/14 6-0 = 0001011	$((344R-116R) / 360R) * (VGMP - VGSP) + VGSP$	
	VPR13/14 6-0 = 0001100	$((344R-115R) / 360R) * (VGMP - VGSP) + VGSP$	
	VPR13/14 6-0 = 0001101	$((344R-114R) / 360R) * (VGMP - VGSP) + VGSP$	
	VPR13/14 6-0 = 0001110	$((344R-113R) / 360R) * (VGMP - VGSP) + VGSP$	
	VPR13/14 6-0 = 0001111	$((344R-112R) / 360R) * (VGMP - VGSP) + VGSP$	
	VPR13/14 6-0 = 0010000	$((344R-111R) / 360R) * (VGMP - VGSP) + VGSP$	
		▪	▪
		▪	▪
		▪	▪
	VPR13/14 6-0 = 1000000	$((344R-64R) / 360R) * (VGMP - VGSP) + VGSP$	
	VPR13/14 6-0 = 1000001	$((344R-63R) / 360R) * (VGMP - VGSP) + VGSP$	
	VPR13/14 6-0 = 1000010	$((344R-62R) / 360R) * (VGMP - VGSP) + VGSP$	
	VPR13/14 6-0 = 1000011	$((344R-61R) / 360R) * (VGMP - VGSP) + VGSP$	
	VPR13/14 6-0 = 1000100	$((344R-60R) / 360R) * (VGMP - VGSP) + VGSP$	
	VPR13/14 6-0 = 1000101	$((344R-59R) / 360R) * (VGMP - VGSP) + VGSP$	
	VPR13/14 6-0 = 1000110	$((344R-58R) / 360R) * (VGMP - VGSP) + VGSP$	
	VPR13/14 6-0 = 1000111	$((344R-57R) / 360R) * (VGMP - VGSP) + VGSP$	
	VPR13/14 6-0 = 1001000	$((344R-56R) / 360R) * (VGMP - VGSP) + VGSP$	
	VPR13/14 6-0 = 1001001	$((344R-55R) / 360R) * (VGMP - VGSP) + VGSP$	
	VPR13/14 6-0 = 1001010	$((344R-54R) / 360R) * (VGMP - VGSP) + VGSP$	
	VPR13/14 6-0 = 1001011	$((344R-53R) / 360R) * (VGMP - VGSP) + VGSP$	
	VPR13/14 6-0 = 1001100	$((344R-52R) / 360R) * (VGMP - VGSP) + VGSP$	
	VPR13/14 6-0 = 1001101	$((344R-51R) / 360R) * (VGMP - VGSP) + VGSP$	
	VPR13/14 6-0 = 1001110	$((344R-50R) / 360R) * (VGMP - VGSP) + VGSP$	
	VPR13/14 6-0 = 1001111	$((344R-49R) / 360R) * (VGMP - VGSP) + VGSP$	
	VPR13/14 6-0 = 1010000	$((344R-48R) / 360R) * (VGMP - VGSP) + VGSP$	
		▪	▪
		▪	▪
		▪	▪
	VPR13/14 6-0 = 1110001	$((344R-15R) / 360R) * (VGMP - VGSP) + VGSP$	
	VPR13/14 6-0 = 1110010	$((344R-14R) / 360R) * (VGMP - VGSP) + VGSP$	
	VPR13/14 6-0 = 1110011	$((344R-13R) / 360R) * (VGMP - VGSP) + VGSP$	
	VPR13/14 6-0 = 1110100	$((344R-12R) / 360R) * (VGMP - VGSP) + VGSP$	
	VPR13/14 6-0 = 1110101	$((344R-11R) / 360R) * (VGMP - VGSP) + VGSP$	
VPR13/14 6-0 = 1110110	$((344R-10R) / 360R) * (VGMP - VGSP) + VGSP$		
VPR13/14 6-0 = 1110111	$((344R-9R) / 360R) * (VGMP - VGSP) + VGSP$		
VPR13/14 6-0 = 1111000	$((344R-8R) / 360R) * (VGMP - VGSP) + VGSP$		
VPR13/14 6-0 = 1111001	$((344R-7R) / 360R) * (VGMP - VGSP) + VGSP$		
VPR13/14 6-0 = 1111010	$((344R-6R) / 360R) * (VGMP - VGSP) + VGSP$		
VPR13/14 6-0 = 1111011	$((344R-5R) / 360R) * (VGMP - VGSP) + VGSP$		
VPR13/14 6-0 = 1111100	$((344R-4R) / 360R) * (VGMP - VGSP) + VGSP$		
VPR13/14 6-0 = 1111101	$((344R-3R) / 360R) * (VGMP - VGSP) + VGSP$		
VPR13/14 6-0 = 1111110	$((344R-2R) / 360R) * (VGMP - VGSP) + VGSP$		
VPR13/14 6-0 = 1111111	$((344R-1R) / 360R) * (VGMP - VGSP) + VGSP$		

Table 8.3: VOP13/VOP14

Reference voltage	Amplitude adjustment value	VOP11/VOP12 formula	
VOP11/VOP12	VPR11/12 6-0 = 0000000	$((316R-128R) / 360R) * (VGMP - VGSP) + VGSP$	
	VPR11/12 6-0 = 0000001	$((316R-127R) / 360R) * (VGMP - VGSP) + VGSP$	
	VPR11/12 6-0 = 0000010	$((316R-126R) / 360R) * (VGMP - VGSP) + VGSP$	
	VPR11/12 6-0 = 0000011	$((316R-125R) / 360R) * (VGMP - VGSP) + VGSP$	
	VPR11/12 6-0 = 0000100	$((316R-124R) / 360R) * (VGMP - VGSP) + VGSP$	
	VPR11/12 6-0 = 0000101	$((316R-123R) / 360R) * (VGMP - VGSP) + VGSP$	
	VPR11/12 6-0 = 0000110	$((316R-122R) / 360R) * (VGMP - VGSP) + VGSP$	
	VPR11/12 6-0 = 0000111	$((316R-121R) / 360R) * (VGMP - VGSP) + VGSP$	
	VPR11/12 6-0 = 0001000	$((316R-120R) / 360R) * (VGMP - VGSP) + VGSP$	
	VPR11/12 6-0 = 0001001	$((316R-119R) / 360R) * (VGMP - VGSP) + VGSP$	
	VPR11/12 6-0 = 0001010	$((316R-117R) / 360R) * (VGMP - VGSP) + VGSP$	
	VPR11/12 6-0 = 0001011	$((316R-116R) / 360R) * (VGMP - VGSP) + VGSP$	
	VPR11/12 6-0 = 0001100	$((316R-115R) / 360R) * (VGMP - VGSP) + VGSP$	
	VPR11/12 6-0 = 0001101	$((316R-114R) / 360R) * (VGMP - VGSP) + VGSP$	
	VPR11/12 6-0 = 0001110	$((316R-113R) / 360R) * (VGMP - VGSP) + VGSP$	
	VPR11/12 6-0 = 0001111	$((316R-112R) / 360R) * (VGMP - VGSP) + VGSP$	
	VPR11/12 6-0 = 0010000	$((316R-111R) / 360R) * (VGMP - VGSP) + VGSP$	
		▪	▪
		▪	▪
		▪	▪
	VPR11/12 6-0 = 1000000	$((316R-64R) / 360R) * (VGMP - VGSP) + VGSP$	
	VPR11/12 6-0 = 1000001	$((316R-63R) / 360R) * (VGMP - VGSP) + VGSP$	
	VPR11/12 6-0 = 1000010	$((316R-62R) / 360R) * (VGMP - VGSP) + VGSP$	
	VPR11/12 6-0 = 1000011	$((316R-61R) / 360R) * (VGMP - VGSP) + VGSP$	
	VPR11/12 6-0 = 1000100	$((316R-60R) / 360R) * (VGMP - VGSP) + VGSP$	
	VPR11/12 6-0 = 1000101	$((316R-59R) / 360R) * (VGMP - VGSP) + VGSP$	
	VPR11/12 6-0 = 1000110	$((316R-58R) / 360R) * (VGMP - VGSP) + VGSP$	
	VPR11/12 6-0 = 1000111	$((316R-57R) / 360R) * (VGMP - VGSP) + VGSP$	
	VPR11/12 6-0 = 1001000	$((316R-56R) / 360R) * (VGMP - VGSP) + VGSP$	
	VPR11/12 6-0 = 1001001	$((316R-55R) / 360R) * (VGMP - VGSP) + VGSP$	
	VPR11/12 6-0 = 1001010	$((316R-54R) / 360R) * (VGMP - VGSP) + VGSP$	
	VPR11/12 6-0 = 1001011	$((316R-53R) / 360R) * (VGMP - VGSP) + VGSP$	
	VPR11/12 6-0 = 1001100	$((316R-52R) / 360R) * (VGMP - VGSP) + VGSP$	
	VPR11/12 6-0 = 1001101	$((316R-51R) / 360R) * (VGMP - VGSP) + VGSP$	
	VPR11/12 6-0 = 1001110	$((316R-50R) / 360R) * (VGMP - VGSP) + VGSP$	
	VPR11/12 6-0 = 1001111	$((316R-49R) / 360R) * (VGMP - VGSP) + VGSP$	
	VPR11/12 6-0 = 1010000	$((316R-48R) / 360R) * (VGMP - VGSP) + VGSP$	
		▪	▪
		▪	▪
		▪	▪
	VPR11/12 6-0 = 1110001	$((316R-15R) / 360R) * (VGMP - VGSP) + VGSP$	
	VPR11/12 6-0 = 1110010	$((316R-14R) / 360R) * (VGMP - VGSP) + VGSP$	
	VPR11/12 6-0 = 1110011	$((316R-13R) / 360R) * (VGMP - VGSP) + VGSP$	
	VPR11/12 6-0 = 1110100	$((316R-12R) / 360R) * (VGMP - VGSP) + VGSP$	
	VPR11/12 6-0 = 1110101	$((316R-11R) / 360R) * (VGMP - VGSP) + VGSP$	
VPR11/12 6-0 = 1110110	$((316R-10R) / 360R) * (VGMP - VGSP) + VGSP$		
VPR11/12 6-0 = 1110111	$((316R-9R) / 360R) * (VGMP - VGSP) + VGSP$		
VPR11/12 6-0 = 1111000	$((316R-8R) / 360R) * (VGMP - VGSP) + VGSP$		
VPR11/12 6-0 = 1111001	$((316R-7R) / 360R) * (VGMP - VGSP) + VGSP$		
VPR11/12 6-0 = 1111010	$((316R-6R) / 360R) * (VGMP - VGSP) + VGSP$		
VPR11/12 6-0 = 1111011	$((316R-5R) / 360R) * (VGMP - VGSP) + VGSP$		
VPR11/12 6-0 = 1111100	$((316R-4R) / 360R) * (VGMP - VGSP) + VGSP$		
VPR11/12 6-0 = 1111101	$((316R-3R) / 360R) * (VGMP - VGSP) + VGSP$		
VPR11/12 6-0 = 1111110	$((316R-2R) / 360R) * (VGMP - VGSP) + VGSP$		
VPR11/12 6-0 = 1111111	$((316R-1R) / 360R) * (VGMP - VGSP) + VGSP$		

Table 8.4: VOP11/VOP12

Reference voltage	Amplitude adjustment value	VOP10 formula	
VOP10	VPR10 6-0 = 0000000	$((264R-128R) / 360R) * (VGMP - VGSP) + VGSP$	
	VPR10 6-0 = 0000001	$((264R-127R) / 360R) * (VGMP - VGSP) + VGSP$	
	VPR10 6-0 = 0000010	$((264R-126R) / 360R) * (VGMP - VGSP) + VGSP$	
	VPR10 6-0 = 0000011	$((264R-125R) / 360R) * (VGMP - VGSP) + VGSP$	
	VPR10 6-0 = 0000100	$((264R-124R) / 360R) * (VGMP - VGSP) + VGSP$	
	VPR10 6-0 = 0000101	$((264R-123R) / 360R) * (VGMP - VGSP) + VGSP$	
	VPR10 6-0 = 0000110	$((264R-122R) / 360R) * (VGMP - VGSP) + VGSP$	
	VPR10 6-0 = 0000111	$((264R-121R) / 360R) * (VGMP - VGSP) + VGSP$	
	VPR10 6-0 = 0001000	$((264R-120R) / 360R) * (VGMP - VGSP) + VGSP$	
	VPR10 6-0 = 0001001	$((264R-119R) / 360R) * (VGMP - VGSP) + VGSP$	
	VPR10 6-0 = 0001010	$((264R-117R) / 360R) * (VGMP - VGSP) + VGSP$	
	VPR10 6-0 = 0001011	$((264R-116R) / 360R) * (VGMP - VGSP) + VGSP$	
	VPR10 6-0 = 0001100	$((264R-115R) / 360R) * (VGMP - VGSP) + VGSP$	
	VPR10 6-0 = 0001101	$((264R-114R) / 360R) * (VGMP - VGSP) + VGSP$	
	VPR10 6-0 = 0001110	$((264R-113R) / 360R) * (VGMP - VGSP) + VGSP$	
	VPR10 6-0 = 0001111	$((264R-112R) / 360R) * (VGMP - VGSP) + VGSP$	
	VPR10 6-0 = 0010000	$((264R-111R) / 360R) * (VGMP - VGSP) + VGSP$	
		▪	▪
		▪	▪
		▪	▪
	VPR10 6-0 = 1000000	$((264R-64R) / 360R) * (VGMP - VGSP) + VGSP$	
	VPR10 6-0 = 1000001	$((264R-63R) / 360R) * (VGMP - VGSP) + VGSP$	
	VPR10 6-0 = 1000010	$((264R-62R) / 360R) * (VGMP - VGSP) + VGSP$	
	VPR10 6-0 = 1000011	$((264R-61R) / 360R) * (VGMP - VGSP) + VGSP$	
	VPR10 6-0 = 1000100	$((264R-60R) / 360R) * (VGMP - VGSP) + VGSP$	
	VPR10 6-0 = 1000101	$((264R-59R) / 360R) * (VGMP - VGSP) + VGSP$	
	VPR10 6-0 = 1000110	$((264R-58R) / 360R) * (VGMP - VGSP) + VGSP$	
	VPR10 6-0 = 1000111	$((264R-57R) / 360R) * (VGMP - VGSP) + VGSP$	
	VPR10 6-0 = 1001000	$((264R-56R) / 360R) * (VGMP - VGSP) + VGSP$	
	VPR10 6-0 = 1001001	$((264R-55R) / 360R) * (VGMP - VGSP) + VGSP$	
	VPR10 6-0 = 1001010	$((264R-54R) / 360R) * (VGMP - VGSP) + VGSP$	
	VPR10 6-0 = 1001011	$((264R-53R) / 360R) * (VGMP - VGSP) + VGSP$	
	VPR10 6-0 = 1001100	$((264R-52R) / 360R) * (VGMP - VGSP) + VGSP$	
	VPR10 6-0 = 1001101	$((264R-51R) / 360R) * (VGMP - VGSP) + VGSP$	
	VPR10 6-0 = 1001110	$((264R-50R) / 360R) * (VGMP - VGSP) + VGSP$	
	VPR10 6-0 = 1001111	$((264R-49R) / 360R) * (VGMP - VGSP) + VGSP$	
	VPR10 6-0 = 1010000	$((264R-48R) / 360R) * (VGMP - VGSP) + VGSP$	
		▪	▪
		▪	▪
		▪	▪
	VPR10 6-0 = 1110001	$((264R-15R) / 360R) * (VGMP - VGSP) + VGSP$	
	VPR10 6-0 = 1110010	$((264R-14R) / 360R) * (VGMP - VGSP) + VGSP$	
	VPR10 6-0 = 1110011	$((264R-13R) / 360R) * (VGMP - VGSP) + VGSP$	
	VPR10 6-0 = 1110100	$((264R-12R) / 360R) * (VGMP - VGSP) + VGSP$	
	VPR10 6-0 = 1110101	$((264R-11R) / 360R) * (VGMP - VGSP) + VGSP$	
VPR10 6-0 = 1110110	$((264R-10R) / 360R) * (VGMP - VGSP) + VGSP$		
VPR10 6-0 = 1110111	$((264R-9R) / 360R) * (VGMP - VGSP) + VGSP$		
VPR10 6-0 = 1111000	$((264R-8R) / 360R) * (VGMP - VGSP) + VGSP$		
VPR10 6-0 = 1111001	$((264R-7R) / 360R) * (VGMP - VGSP) + VGSP$		
VPR10 6-0 = 1111010	$((264R-6R) / 360R) * (VGMP - VGSP) + VGSP$		
VPR10 6-0 = 1111011	$((264R-5R) / 360R) * (VGMP - VGSP) + VGSP$		
VPR10 6-0 = 1111100	$((264R-4R) / 360R) * (VGMP - VGSP) + VGSP$		
VPR10 6-0 = 1111101	$((264R-3R) / 360R) * (VGMP - VGSP) + VGSP$		
VPR10 6-0 = 1111110	$((264R-2R) / 360R) * (VGMP - VGSP) + VGSP$		
VPR10 6-0 = 1111111	$((264R-1R) / 360R) * (VGMP - VGSP) + VGSP$		

Table 8.5: VOP10

Reference voltage	Amplitude adjustment value	VOP9 formula	
VOP9	VPR9 6-0 = 0000000	$((244R-128R) / 360R) * (VGMP - VGSP) + VGSP$	
	VPR9 6-0 = 0000001	$((244R-127R) / 360R) * (VGMP - VGSP) + VGSP$	
	VPR9 6-0 = 0000010	$((244R-126R) / 360R) * (VGMP - VGSP) + VGSP$	
	VPR9 6-0 = 0000011	$((244R-125R) / 360R) * (VGMP - VGSP) + VGSP$	
	VPR9 6-0 = 0000100	$((244R-124R) / 360R) * (VGMP - VGSP) + VGSP$	
	VPR9 6-0 = 0000101	$((244R-123R) / 360R) * (VGMP - VGSP) + VGSP$	
	VPR9 6-0 = 0000110	$((244R-122R) / 360R) * (VGMP - VGSP) + VGSP$	
	VPR9 6-0 = 0000111	$((244R-121R) / 360R) * (VGMP - VGSP) + VGSP$	
	VPR9 6-0 = 0001000	$((244R-120R) / 360R) * (VGMP - VGSP) + VGSP$	
	VPR9 6-0 = 0001001	$((244R-119R) / 360R) * (VGMP - VGSP) + VGSP$	
	VPR9 6-0 = 0001010	$((244R-117R) / 360R) * (VGMP - VGSP) + VGSP$	
	VPR9 6-0 = 0001011	$((244R-116R) / 360R) * (VGMP - VGSP) + VGSP$	
	VPR9 6-0 = 0001100	$((244R-115R) / 360R) * (VGMP - VGSP) + VGSP$	
	VPR9 6-0 = 0001101	$((244R-114R) / 360R) * (VGMP - VGSP) + VGSP$	
	VPR9 6-0 = 0001110	$((244R-113R) / 360R) * (VGMP - VGSP) + VGSP$	
	VPR9 6-0 = 0001111	$((244R-112R) / 360R) * (VGMP - VGSP) + VGSP$	
	VPR9 6-0 = 0010000	$((244R-111R) / 360R) * (VGMP - VGSP) + VGSP$	
		▪	▪
		▪	▪
		▪	▪
	VPR9 6-0 = 1000000	$((244R-64R) / 360R) * (VGMP - VGSP) + VGSP$	
	VPR9 6-0 = 1000001	$((244R-63R) / 360R) * (VGMP - VGSP) + VGSP$	
	VPR9 6-0 = 1000010	$((244R-62R) / 360R) * (VGMP - VGSP) + VGSP$	
	VPR9 6-0 = 1000011	$((244R-61R) / 360R) * (VGMP - VGSP) + VGSP$	
	VPR9 6-0 = 1000100	$((244R-60R) / 360R) * (VGMP - VGSP) + VGSP$	
	VPR9 6-0 = 1000101	$((244R-59R) / 360R) * (VGMP - VGSP) + VGSP$	
	VPR9 6-0 = 1000110	$((244R-58R) / 360R) * (VGMP - VGSP) + VGSP$	
	VPR9 6-0 = 1000111	$((244R-57R) / 360R) * (VGMP - VGSP) + VGSP$	
	VPR9 6-0 = 1001000	$((244R-56R) / 360R) * (VGMP - VGSP) + VGSP$	
	VPR9 6-0 = 1001001	$((244R-55R) / 360R) * (VGMP - VGSP) + VGSP$	
	VPR9 6-0 = 1001010	$((244R-54R) / 360R) * (VGMP - VGSP) + VGSP$	
	VPR9 6-0 = 1001011	$((244R-53R) / 360R) * (VGMP - VGSP) + VGSP$	
	VPR9 6-0 = 1001100	$((244R-52R) / 360R) * (VGMP - VGSP) + VGSP$	
	VPR9 6-0 = 1001101	$((244R-51R) / 360R) * (VGMP - VGSP) + VGSP$	
	VPR9 6-0 = 1001110	$((244R-50R) / 360R) * (VGMP - VGSP) + VGSP$	
	VPR9 6-0 = 1001111	$((244R-49R) / 360R) * (VGMP - VGSP) + VGSP$	
	VPR9 6-0 = 1010000	$((244R-48R) / 360R) * (VGMP - VGSP) + VGSP$	
		▪	▪
		▪	▪
		▪	▪
	VPR9 6-0 = 1110001	$((244R-15R) / 360R) * (VGMP - VGSP) + VGSP$	
	VPR9 6-0 = 1110010	$((244R-14R) / 360R) * (VGMP - VGSP) + VGSP$	
	VPR9 6-0 = 1110011	$((244R-13R) / 360R) * (VGMP - VGSP) + VGSP$	
	VPR9 6-0 = 1110100	$((244R-12R) / 360R) * (VGMP - VGSP) + VGSP$	
	VPR9 6-0 = 1110101	$((244R-11R) / 360R) * (VGMP - VGSP) + VGSP$	
	VPR9 6-0 = 1110110	$((244R-10R) / 360R) * (VGMP - VGSP) + VGSP$	
	VPR9 6-0 = 1110111	$((244R-9R) / 360R) * (VGMP - VGSP) + VGSP$	
	VPR9 6-0 = 1111000	$((244R-8R) / 360R) * (VGMP - VGSP) + VGSP$	
VPR9 6-0 = 1111001	$((244R-7R) / 360R) * (VGMP - VGSP) + VGSP$		
VPR9 6-0 = 1111010	$((244R-6R) / 360R) * (VGMP - VGSP) + VGSP$		
VPR9 6-0 = 1111011	$((244R-5R) / 360R) * (VGMP - VGSP) + VGSP$		
VPR9 6-0 = 1111100	$((244R-4R) / 360R) * (VGMP - VGSP) + VGSP$		
VPR9 6-0 = 1111101	$((244R-3R) / 360R) * (VGMP - VGSP) + VGSP$		
VPR9 6-0 = 1111110	$((244R-2R) / 360R) * (VGMP - VGSP) + VGSP$		
VPR9 6-0 = 1111111	$((244R-1R) / 360R) * (VGMP - VGSP) + VGSP$		

Table 8.6: VOP9

Reference voltage	Amplitude adjustment value	VOP8 formula	
VOP8	VPR8 6-0 = 0000000	$((224R-128R) / 360R) * (VGMP - VGSP) + VGSP$	
	VPR8 6-0 = 0000001	$((224R-127R) / 360R) * (VGMP - VGSP) + VGSP$	
	VPR8 6-0 = 0000010	$((224R-126R) / 360R) * (VGMP - VGSP) + VGSP$	
	VPR8 6-0 = 0000011	$((224R-125R) / 360R) * (VGMP - VGSP) + VGSP$	
	VPR8 6-0 = 0000100	$((224R-124R) / 360R) * (VGMP - VGSP) + VGSP$	
	VPR8 6-0 = 0000101	$((224R-123R) / 360R) * (VGMP - VGSP) + VGSP$	
	VPR8 6-0 = 0000110	$((224R-122R) / 360R) * (VGMP - VGSP) + VGSP$	
	VPR8 6-0 = 0000111	$((224R-121R) / 360R) * (VGMP - VGSP) + VGSP$	
	VPR8 6-0 = 0001000	$((224R-120R) / 360R) * (VGMP - VGSP) + VGSP$	
	VPR8 6-0 = 0001001	$((224R-119R) / 360R) * (VGMP - VGSP) + VGSP$	
	VPR8 6-0 = 0001010	$((224R-117R) / 360R) * (VGMP - VGSP) + VGSP$	
	VPR8 6-0 = 0001011	$((224R-116R) / 360R) * (VGMP - VGSP) + VGSP$	
	VPR8 6-0 = 0001100	$((224R-115R) / 360R) * (VGMP - VGSP) + VGSP$	
	VPR8 6-0 = 0001101	$((224R-114R) / 360R) * (VGMP - VGSP) + VGSP$	
	VPR8 6-0 = 0001110	$((224R-113R) / 360R) * (VGMP - VGSP) + VGSP$	
	VPR8 6-0 = 0001111	$((224R-112R) / 360R) * (VGMP - VGSP) + VGSP$	
	VPR8 6-0 = 0010000	$((224R-111R) / 360R) * (VGMP - VGSP) + VGSP$	
		▪	▪
		▪	▪
		▪	▪
	VPR8 6-0 = 1000000	$((224R-64R) / 360R) * (VGMP - VGSP) + VGSP$	
	VPR8 6-0 = 1000001	$((224R-63R) / 360R) * (VGMP - VGSP) + VGSP$	
	VPR8 6-0 = 1000010	$((224R-62R) / 360R) * (VGMP - VGSP) + VGSP$	
	VPR8 6-0 = 1000011	$((224R-61R) / 360R) * (VGMP - VGSP) + VGSP$	
	VPR8 6-0 = 1000100	$((224R-60R) / 360R) * (VGMP - VGSP) + VGSP$	
	VPR8 6-0 = 1000101	$((224R-59R) / 360R) * (VGMP - VGSP) + VGSP$	
	VPR8 6-0 = 1000110	$((224R-58R) / 360R) * (VGMP - VGSP) + VGSP$	
	VPR8 6-0 = 1000111	$((224R-57R) / 360R) * (VGMP - VGSP) + VGSP$	
	VPR8 6-0 = 1001000	$((224R-56R) / 360R) * (VGMP - VGSP) + VGSP$	
	VPR8 6-0 = 1001001	$((224R-55R) / 360R) * (VGMP - VGSP) + VGSP$	
	VPR8 6-0 = 1001010	$((224R-54R) / 360R) * (VGMP - VGSP) + VGSP$	
	VPR8 6-0 = 1001011	$((224R-53R) / 360R) * (VGMP - VGSP) + VGSP$	
	VPR8 6-0 = 1001100	$((224R-52R) / 360R) * (VGMP - VGSP) + VGSP$	
	VPR8 6-0 = 1001101	$((224R-51R) / 360R) * (VGMP - VGSP) + VGSP$	
	VPR8 6-0 = 1001110	$((224R-50R) / 360R) * (VGMP - VGSP) + VGSP$	
	VPR8 6-0 = 1001111	$((224R-49R) / 360R) * (VGMP - VGSP) + VGSP$	
	VPR8 6-0 = 1010000	$((224R-48R) / 360R) * (VGMP - VGSP) + VGSP$	
		▪	▪
		▪	▪
		▪	▪
	VPR8 6-0 = 1110001	$((224R-15R) / 360R) * (VGMP - VGSP) + VGSP$	
	VPR8 6-0 = 1110010	$((224R-14R) / 360R) * (VGMP - VGSP) + VGSP$	
	VPR8 6-0 = 1110011	$((224R-13R) / 360R) * (VGMP - VGSP) + VGSP$	
	VPR8 6-0 = 1110100	$((224R-12R) / 360R) * (VGMP - VGSP) + VGSP$	
	VPR8 6-0 = 1110101	$((224R-11R) / 360R) * (VGMP - VGSP) + VGSP$	
VPR8 6-0 = 1110110	$((224R-10R) / 360R) * (VGMP - VGSP) + VGSP$		
VPR8 6-0 = 1110111	$((224R-9R) / 360R) * (VGMP - VGSP) + VGSP$		
VPR8 6-0 = 1111000	$((224R-8R) / 360R) * (VGMP - VGSP) + VGSP$		
VPR8 6-0 = 1111001	$((224R-7R) / 360R) * (VGMP - VGSP) + VGSP$		
VPR8 6-0 = 1111010	$((224R-6R) / 360R) * (VGMP - VGSP) + VGSP$		
VPR8 6-0 = 1111011	$((224R-5R) / 360R) * (VGMP - VGSP) + VGSP$		
VPR8 6-0 = 1111100	$((224R-4R) / 360R) * (VGMP - VGSP) + VGSP$		
VPR8 6-0 = 1111101	$((224R-3R) / 360R) * (VGMP - VGSP) + VGSP$		
VPR8 6-0 = 1111110	$((224R-2R) / 360R) * (VGMP - VGSP) + VGSP$		
VPR8 6-0 = 1111111	$((224R-1R) / 360R) * (VGMP - VGSP) + VGSP$		

Table 8.7: VOP8



Reference voltage	Amplitude adjustment value	VOP6/ VOP7 formula	
VOP6/ VOP7	VPR6/7 6-0 = 0000000	$((172R-128R) / 360R) * (VGMP - VGSP) + VGSP$	
	VPR6/7 6-0 = 0000001	$((172R-127R) / 360R) * (VGMP - VGSP) + VGSP$	
	VPR6/7 6-0 = 0000010	$((172R-126R) / 360R) * (VGMP - VGSP) + VGSP$	
	VPR6/7 6-0 = 0000011	$((172R-125R) / 360R) * (VGMP - VGSP) + VGSP$	
	VPR6/7 6-0 = 0000100	$((172R-124R) / 360R) * (VGMP - VGSP) + VGSP$	
	VPR6/7 6-0 = 0000101	$((172R-123R) / 360R) * (VGMP - VGSP) + VGSP$	
	VPR6/7 6-0 = 0000110	$((172R-122R) / 360R) * (VGMP - VGSP) + VGSP$	
	VPR6/7 6-0 = 0000111	$((172R-121R) / 360R) * (VGMP - VGSP) + VGSP$	
	VPR6/7 6-0 = 0001000	$((172R-120R) / 360R) * (VGMP - VGSP) + VGSP$	
	VPR6/7 6-0 = 0001001	$((172R-119R) / 360R) * (VGMP - VGSP) + VGSP$	
	VPR6/7 6-0 = 0001010	$((172R-117R) / 360R) * (VGMP - VGSP) + VGSP$	
	VPR6/7 6-0 = 0001011	$((172R-116R) / 360R) * (VGMP - VGSP) + VGSP$	
	VPR6/7 6-0 = 0001100	$((172R-115R) / 360R) * (VGMP - VGSP) + VGSP$	
	VPR6/7 6-0 = 0001101	$((172R-114R) / 360R) * (VGMP - VGSP) + VGSP$	
	VPR6/7 6-0 = 0001110	$((172R-113R) / 360R) * (VGMP - VGSP) + VGSP$	
	VPR6/7 6-0 = 0001111	$((172R-112R) / 360R) * (VGMP - VGSP) + VGSP$	
	VPR6/7 6-0 = 0010000	$((172R-111R) / 360R) * (VGMP - VGSP) + VGSP$	
		▪	▪
		▪	▪
		▪	▪
	VPR6/7 6-0 = 1000000	$((172R-64R) / 360R) * (VGMP - VGSP) + VGSP$	
	VPR6/7 6-0 = 1000001	$((172R-63R) / 360R) * (VGMP - VGSP) + VGSP$	
	VPR6/7 6-0 = 1000010	$((172R-62R) / 360R) * (VGMP - VGSP) + VGSP$	
	VPR6/7 6-0 = 1000011	$((172R-61R) / 360R) * (VGMP - VGSP) + VGSP$	
	VPR6/7 6-0 = 1000100	$((172R-60R) / 360R) * (VGMP - VGSP) + VGSP$	
	VPR6/7 6-0 = 1000101	$((172R-59R) / 360R) * (VGMP - VGSP) + VGSP$	
	VPR6/7 6-0 = 1000110	$((172R-58R) / 360R) * (VGMP - VGSP) + VGSP$	
	VPR6/7 6-0 = 1000111	$((172R-57R) / 360R) * (VGMP - VGSP) + VGSP$	
	VPR6/7 6-0 = 1001000	$((172R-56R) / 360R) * (VGMP - VGSP) + VGSP$	
	VPR6/7 6-0 = 1001001	$((172R-55R) / 360R) * (VGMP - VGSP) + VGSP$	
	VPR6/7 6-0 = 1001010	$((172R-54R) / 360R) * (VGMP - VGSP) + VGSP$	
	VPR6/7 6-0 = 1001011	$((172R-53R) / 360R) * (VGMP - VGSP) + VGSP$	
	VPR6/7 6-0 = 1001100	$((172R-52R) / 360R) * (VGMP - VGSP) + VGSP$	
	VPR6/7 6-0 = 1001101	$((172R-51R) / 360R) * (VGMP - VGSP) + VGSP$	
	VPR6/7 6-0 = 1001110	$((172R-50R) / 360R) * (VGMP - VGSP) + VGSP$	
	VPR6/7 6-0 = 1001111	$((172R-49R) / 360R) * (VGMP - VGSP) + VGSP$	
	VPR6/7 6-0 = 1010000	$((172R-48R) / 360R) * (VGMP - VGSP) + VGSP$	
		▪	▪
		▪	▪
		▪	▪
	VPR6/7 6-0 = 1110001	$((172R-15R) / 360R) * (VGMP - VGSP) + VGSP$	
	VPR6/7 6-0 = 1110010	$((172R-14R) / 360R) * (VGMP - VGSP) + VGSP$	
	VPR6/7 6-0 = 1110011	$((172R-13R) / 360R) * (VGMP - VGSP) + VGSP$	
	VPR6/7 6-0 = 1110100	$((172R-12R) / 360R) * (VGMP - VGSP) + VGSP$	
	VPR6/7 6-0 = 1110101	$((172R-11R) / 360R) * (VGMP - VGSP) + VGSP$	
VPR6/7 6-0 = 1110110	$((172R-10R) / 360R) * (VGMP - VGSP) + VGSP$		
VPR6/7 6-0 = 1110111	$((172R-9R) / 360R) * (VGMP - VGSP) + VGSP$		
VPR6/7 6-0 = 1111000	$((172R-8R) / 360R) * (VGMP - VGSP) + VGSP$		
VPR6/7 6-0 = 1111001	$((172R-7R) / 360R) * (VGMP - VGSP) + VGSP$		
VPR6/7 6-0 = 1111010	$((172R-6R) / 360R) * (VGMP - VGSP) + VGSP$		
VPR6/7 6-0 = 1111011	$((172R-5R) / 360R) * (VGMP - VGSP) + VGSP$		
VPR6/7 6-0 = 1111100	$((172R-4R) / 360R) * (VGMP - VGSP) + VGSP$		
VPR6/7 6-0 = 1111101	$((172R-3R) / 360R) * (VGMP - VGSP) + VGSP$		
VPR6/7 6-0 = 1111110	$((172R-2R) / 360R) * (VGMP - VGSP) + VGSP$		
VPR6/7 6-0 = 1111111	$((172R-1R) / 360R) * (VGMP - VGSP) + VGSP$		

Table 8.8: VOP6/ VOP7

Reference voltage	Amplitude adjustment value	VOP4/ VOP5 formula
VOP4/ VOP5	VPR4/5 6-0 = 0000000	$((144R-128R) / 360R) * (VGMP - VGSP) + VGSP$
	VPR4/5 6-0 = 0000001	$((144R-127R) / 360R) * (VGMP - VGSP) + VGSP$
	VPR4/5 6-0 = 0000010	$((144R-126R) / 360R) * (VGMP - VGSP) + VGSP$
	VPR4/5 6-0 = 0000011	$((144R-125R) / 360R) * (VGMP - VGSP) + VGSP$
	VPR4/5 6-0 = 0000100	$((144R-124R) / 360R) * (VGMP - VGSP) + VGSP$
	VPR4/5 6-0 = 0000101	$((144R-123R) / 360R) * (VGMP - VGSP) + VGSP$
	VPR4/5 6-0 = 0000110	$((144R-122R) / 360R) * (VGMP - VGSP) + VGSP$
	VPR4/5 6-0 = 0000111	$((144R-121R) / 360R) * (VGMP - VGSP) + VGSP$
	VPR4/5 6-0 = 0001000	$((144R-120R) / 360R) * (VGMP - VGSP) + VGSP$
	VPR4/5 6-0 = 0001001	$((144R-119R) / 360R) * (VGMP - VGSP) + VGSP$
	VPR4/5 6-0 = 0001010	$((144R-117R) / 360R) * (VGMP - VGSP) + VGSP$
	VPR4/5 6-0 = 0001011	$((144R-116R) / 360R) * (VGMP - VGSP) + VGSP$
	VPR4/5 6-0 = 0001100	$((144R-115R) / 360R) * (VGMP - VGSP) + VGSP$
	VPR4/5 6-0 = 0001101	$((144R-114R) / 360R) * (VGMP - VGSP) + VGSP$
	VPR4/5 6-0 = 0001110	$((144R-113R) / 360R) * (VGMP - VGSP) + VGSP$
	VPR4/5 6-0 = 0001111	$((144R-112R) / 360R) * (VGMP - VGSP) + VGSP$
	VPR4/5 6-0 = 0010000	$((144R-111R) / 360R) * (VGMP - VGSP) + VGSP$
	▪	▪
	▪	▪
	▪	▪
	VPR4/5 6-0 = 1000000	$((144R-64R) / 360R) * (VGMP - VGSP) + VGSP$
	VPR4/5 6-0 = 1000001	$((144R-63R) / 360R) * (VGMP - VGSP) + VGSP$
	VPR4/5 6-0 = 1000010	$((144R-62R) / 360R) * (VGMP - VGSP) + VGSP$
	VPR4/5 6-0 = 1000011	$((144R-61R) / 360R) * (VGMP - VGSP) + VGSP$
	VPR4/5 6-0 = 1000100	$((144R-60R) / 360R) * (VGMP - VGSP) + VGSP$
	VPR4/5 6-0 = 1000101	$((144R-59R) / 360R) * (VGMP - VGSP) + VGSP$
	VPR4/5 6-0 = 1000110	$((144R-58R) / 360R) * (VGMP - VGSP) + VGSP$
	VPR4/5 6-0 = 1000111	$((144R-57R) / 360R) * (VGMP - VGSP) + VGSP$
	VPR4/5 6-0 = 1001000	$((144R-56R) / 360R) * (VGMP - VGSP) + VGSP$
	VPR4/5 6-0 = 1001001	$((144R-55R) / 360R) * (VGMP - VGSP) + VGSP$
	VPR4/5 6-0 = 1001010	$((144R-54R) / 360R) * (VGMP - VGSP) + VGSP$
	VPR4/5 6-0 = 1001011	$((144R-53R) / 360R) * (VGMP - VGSP) + VGSP$
	VPR4/5 6-0 = 1001100	$((144R-52R) / 360R) * (VGMP - VGSP) + VGSP$
	VPR4/5 6-0 = 1001101	$((144R-51R) / 360R) * (VGMP - VGSP) + VGSP$
	VPR4/5 6-0 = 1001110	$((144R-50R) / 360R) * (VGMP - VGSP) + VGSP$
	VPR4/5 6-0 = 1001111	$((144R-49R) / 360R) * (VGMP - VGSP) + VGSP$
	VPR4/5 6-0 = 1010000	$((144R-48R) / 360R) * (VGMP - VGSP) + VGSP$
	▪	▪
	▪	▪
	▪	▪
	VPR4/5 6-0 = 1110001	$((144R-15R) / 360R) * (VGMP - VGSP) + VGSP$
	VPR4/5 6-0 = 1110010	$((144R-14R) / 360R) * (VGMP - VGSP) + VGSP$
	VPR4/5 6-0 = 1110011	$((144R-13R) / 360R) * (VGMP - VGSP) + VGSP$
	VPR4/5 6-0 = 1110100	$((144R-12R) / 360R) * (VGMP - VGSP) + VGSP$
	VPR4/5 6-0 = 1110101	$((144R-11R) / 360R) * (VGMP - VGSP) + VGSP$
VPR4/5 6-0 = 1110110	$((144R-10R) / 360R) * (VGMP - VGSP) + VGSP$	
VPR4/5 6-0 = 1110111	$((144R-9R) / 360R) * (VGMP - VGSP) + VGSP$	
VPR4/5 6-0 = 1111000	$((144R-8R) / 360R) * (VGMP - VGSP) + VGSP$	
VPR4/5 6-0 = 1111001	$((144R-7R) / 360R) * (VGMP - VGSP) + VGSP$	
VPR4/5 6-0 = 1111010	$((144R-6R) / 360R) * (VGMP - VGSP) + VGSP$	
VPR4/5 6-0 = 1111011	$((144R-5R) / 360R) * (VGMP - VGSP) + VGSP$	
VPR4/5 6-0 = 1111100	$((144R-4R) / 360R) * (VGMP - VGSP) + VGSP$	
VPR4/5 6-0 = 1111101	$((144R-3R) / 360R) * (VGMP - VGSP) + VGSP$	
VPR4/5 6-0 = 1111110	$((144R-2R) / 360R) * (VGMP - VGSP) + VGSP$	
VPR4/5 6-0 = 1111111	$((144R-1R) / 360R) * (VGMP - VGSP) + VGSP$	

Table 8.9: VOP4/ VOP5

Reference voltage	Amplitude adjustment value	VOP0~3 formula	
VOP0~3	VPR0~3 6-0 = 0000000	$((128R-128R) / 360R) * (VGMP - VGSP) + VGSP$	
	VPR0~3 6-0 = 0000001	$((128R-127R) / 360R) * (VGMP - VGSP) + VGSP$	
	VRP0~3 6-0 = 0000010	$((128R-126R) / 360R) * (VGMP - VGSP) + VGSP$	
	VRP0~3 6-0 = 0000011	$((128R-125R) / 360R) * (VGMP - VGSP) + VGSP$	
	VRP0~3 6-0 = 0000100	$((128R-124R) / 360R) * (VGMP - VGSP) + VGSP$	
	VRP0~3 6-0 = 0000101	$((128R-123R) / 360R) * (VGMP - VGSP) + VGSP$	
	VRP0~3 6-0 = 0000110	$((128R-122R) / 360R) * (VGMP - VGSP) + VGSP$	
	VRP0~3 6-0 = 0000111	$((128R-121R) / 360R) * (VGMP - VGSP) + VGSP$	
	VRP0~3 6-0 = 0001000	$((128R-120R) / 360R) * (VGMP - VGSP) + VGSP$	
	VRP0~3 6-0 = 0001001	$((128R-119R) / 360R) * (VGMP - VGSP) + VGSP$	
	VRP0~3 6-0 = 0001010	$((128R-117R) / 360R) * (VGMP - VGSP) + VGSP$	
	VRP0~3 6-0 = 0001011	$((128R-116R) / 360R) * (VGMP - VGSP) + VGSP$	
	VRP0~3 6-0 = 0001100	$((128R-115R) / 360R) * (VGMP - VGSP) + VGSP$	
	VRP0~3 6-0 = 0001101	$((128R-114R) / 360R) * (VGMP - VGSP) + VGSP$	
	VRP0~3 6-0 = 0001110	$((128R-113R) / 360R) * (VGMP - VGSP) + VGSP$	
	VRP0~3 6-0 = 0001111	$((128R-112R) / 360R) * (VGMP - VGSP) + VGSP$	
	VRP0~3 6-0 = 0010000	$((128R-111R) / 360R) * (VGMP - VGSP) + VGSP$	
		▪	▪
		▪	▪
		▪	▪
	VPR0~3 6-0 = 1000000	$((128R-64R) / 360R) * (VGMP - VGSP) + VGSP$	
	VPR0~3 6-0 = 1000001	$((128R-63R) / 360R) * (VGMP - VGSP) + VGSP$	
	VRP0~3 6-0 = 1000010	$((128R-62R) / 360R) * (VGMP - VGSP) + VGSP$	
	VPR0~3 6-0 = 1000011	$((128R-61R) / 360R) * (VGMP - VGSP) + VGSP$	
	VPR0~3 6-0 = 1000100	$((128R-60R) / 360R) * (VGMP - VGSP) + VGSP$	
	VPR0~3 6-0 = 1000101	$((128R-59R) / 360R) * (VGMP - VGSP) + VGSP$	
	VPR0~3 6-0 = 1000110	$((128R-58R) / 360R) * (VGMP - VGSP) + VGSP$	
	VPR0~3 6-0 = 1000111	$((128R-57R) / 360R) * (VGMP - VGSP) + VGSP$	
	VPR0~3 6-0 = 1001000	$((128R-56R) / 360R) * (VGMP - VGSP) + VGSP$	
	VPR0~3 6-0 = 1001001	$((128R-55R) / 360R) * (VGMP - VGSP) + VGSP$	
	VPR0~3 6-0 = 1001010	$((128R-54R) / 360R) * (VGMP - VGSP) + VGSP$	
	VPR0~3 6-0 = 1001011	$((128R-53R) / 360R) * (VGMP - VGSP) + VGSP$	
	VPR0~3 6-0 = 1001100	$((128R-52R) / 360R) * (VGMP - VGSP) + VGSP$	
	VPR0~3 6-0 = 1001101	$((128R-51R) / 360R) * (VGMP - VGSP) + VGSP$	
	VPR0~3 6-0 = 1001110	$((128R-50R) / 360R) * (VGMP - VGSP) + VGSP$	
	VPR0~3 6-0 = 1001111	$((128R-49R) / 360R) * (VGMP - VGSP) + VGSP$	
	VPR0~3 6-0 = 1010000	$((128R-48R) / 360R) * (VGMP - VGSP) + VGSP$	
		▪	▪
		▪	▪
		▪	▪
	VPR0~3 6-0 = 1110001	$((128R-15R) / 360R) * (VGMP - VGSP) + VGSP$	
	VPR0~3 6-0 = 1110010	$((128R-14R) / 360R) * (VGMP - VGSP) + VGSP$	
	VPR0~3 6-0 = 1110011	$((128R-13R) / 360R) * (VGMP - VGSP) + VGSP$	
	VPR0~3 6-0 = 1110100	$((128R-12R) / 360R) * (VGMP - VGSP) + VGSP$	
	VPR0~3 6-0 = 1110101	$((128R-11R) / 360R) * (VGMP - VGSP) + VGSP$	
VPR0~3 6-0 = 1110110	$((128R-10R) / 360R) * (VGMP - VGSP) + VGSP$		
VPR0~3 6-0 = 1110111	$((128R-9R) / 360R) * (VGMP - VGSP) + VGSP$		
VPR0~3 6-0 = 1111000	$((128R-8R) / 360R) * (VGMP - VGSP) + VGSP$		
VPR0~3 6-0 = 1111001	$((128R-7R) / 360R) * (VGMP - VGSP) + VGSP$		
VPR0~3 6-0 = 1111010	$((128R-6R) / 360R) * (VGMP - VGSP) + VGSP$		
VPR0~3 6-0 = 1111011	$((128R-5R) / 360R) * (VGMP - VGSP) + VGSP$		
VPR0~3 6-0 = 1111100	$((128R-4R) / 360R) * (VGMP - VGSP) + VGSP$		
VPR0~3 6-0 = 1111101	$((128R-3R) / 360R) * (VGMP - VGSP) + VGSP$		
VPR0~3 6-0 = 1111110	$((128R-2R) / 360R) * (VGMP - VGSP) + VGSP$		
VPR0~3 6-0 = 1111111	$((128R-1R) / 360R) * (VGMP - VGSP) + VGSP$		

Table 8.10: VOP0~3



Reference voltage	Amplitude adjustment value	VON15~18 formula	
VON15~18	VNR15~18 6-0 = 0000000	$((360R-128R) / 360R) * (VGMN - VGSN) + VGSN$	
	VNR15~18 6-0 = 0000001	$((360R-127R) / 360R) * (VGMN - VGSN) + VGSN$	
	VNR15~18 6-0 = 0000010	$((360R-126R) / 360R) * (VGMN - VGSN) + VGSN$	
	VNR15~18 6-0 = 0000011	$((360R-125R) / 360R) * (VGMN - VGSN) + VGSN$	
	VNR15~18 6-0 = 0000100	$((360R-124R) / 360R) * (VGMN - VGSN) + VGSN$	
	VNR15~18 6-0 = 0000101	$((360R-123R) / 360R) * (VGMN - VGSN) + VGSN$	
	VNR15~18 6-0 = 0000110	$((360R-122R) / 360R) * (VGMN - VGSN) + VGSN$	
	VNR15~18 6-0 = 0000111	$((360R-121R) / 360R) * (VGMN - VGSN) + VGSN$	
	VNR15~18 6-0 = 0001000	$((360R-120R) / 360R) * (VGMN - VGSN) + VGSN$	
	VNR15~18 6-0 = 0001001	$((360R-119R) / 360R) * (VGMN - VGSN) + VGSN$	
	VNR15~18 6-0 = 0001010	$((360R-117R) / 360R) * (VGMN - VGSN) + VGSN$	
	VNR15~18 6-0 = 0001011	$((360R-116R) / 360R) * (VGMN - VGSN) + VGSN$	
	VNR15~18 6-0 = 0001100	$((360R-115R) / 360R) * (VGMN - VGSN) + VGSN$	
	VNR15~18 6-0 = 0001101	$((360R-114R) / 360R) * (VGMN - VGSN) + VGSN$	
	VNR15~18 6-0 = 0001110	$((360R-113R) / 360R) * (VGMN - VGSN) + VGSN$	
	VNR15~18 6-0 = 0001111	$((360R-112R) / 360R) * (VGMN - VGSN) + VGSN$	
	VNR15~18 6-0 = 0010000	$((360R-111R) / 360R) * (VGMN - VGSN) + VGSN$	
		▪	▪
		▪	▪
		▪	▪
	VNR15~18 6-0 = 1000000	$((360R-64R) / 360R) * (VGMN - VGSN) + VGSN$	
	VNR15~18 6-0 = 1000001	$((360R-63R) / 360R) * (VGMN - VGSN) + VGSN$	
	VNR15~18 6-0 = 1000010	$((360R-62R) / 360R) * (VGMN - VGSN) + VGSN$	
	VNR15~18 6-0 = 1000011	$((360R-61R) / 360R) * (VGMN - VGSN) + VGSN$	
	VNR15~18 6-0 = 1000100	$((360R-60R) / 360R) * (VGMN - VGSN) + VGSN$	
	VNR15~18 6-0 = 1000101	$((360R-59R) / 360R) * (VGMN - VGSN) + VGSN$	
	VNR15~18 6-0 = 1000110	$((360R-58R) / 360R) * (VGMN - VGSN) + VGSN$	
	VNR15~18 6-0 = 1000111	$((360R-57R) / 360R) * (VGMN - VGSN) + VGSN$	
	VNR15~18 6-0 = 1001000	$((360R-56R) / 360R) * (VGMN - VGSN) + VGSN$	
	VNR15~18 6-0 = 1001001	$((360R-55R) / 360R) * (VGMN - VGSN) + VGSN$	
	VNR15~18 6-0 = 1001010	$((360R-54R) / 360R) * (VGMN - VGSN) + VGSN$	
	VNR15~18 6-0 = 1001011	$((360R-53R) / 360R) * (VGMN - VGSN) + VGSN$	
	VNR15~18 6-0 = 1001100	$((360R-52R) / 360R) * (VGMN - VGSN) + VGSN$	
	VNR15~18 6-0 = 1001101	$((360R-51R) / 360R) * (VGMN - VGSN) + VGSN$	
	VNR15~18 6-0 = 1001110	$((360R-50R) / 360R) * (VGMN - VGSN) + VGSN$	
	VNR15~18 6-0 = 1001111	$((360R-49R) / 360R) * (VGMN - VGSN) + VGSN$	
	VNR15~18 6-0 = 1010000	$((360R-48R) / 360R) * (VGMN - VGSN) + VGSN$	
		▪	▪
		▪	▪
		▪	▪
	VNR15~18 6-0 = 1110001	$((360R-15R) / 360R) * (VGMN - VGSN) + VGSN$	
	VNR15~18 6-0 = 1110010	$((360R-14R) / 360R) * (VGMN - VGSN) + VGSN$	
	VNR15~18 6-0 = 1110011	$((360R-13R) / 360R) * (VGMN - VGSN) + VGSN$	
	VNR15~18 6-0 = 1110100	$((360R-12R) / 360R) * (VGMN - VGSN) + VGSN$	
	VNR15~18 6-0 = 1110101	$((360R-11R) / 360R) * (VGMN - VGSN) + VGSN$	
VNR15~18 6-0 = 1110110	$((360R-10R) / 360R) * (VGMN - VGSN) + VGSN$		
VNR15~18 6-0 = 1110111	$((360R-9R) / 360R) * (VGMN - VGSN) + VGSN$		
VNR15~18 6-0 = 1111000	$((360R-8R) / 360R) * (VGMN - VGSN) + VGSN$		
VNR15~18 6-0 = 1111001	$((360R-7R) / 360R) * (VGMN - VGSN) + VGSN$		
VNR15~18 6-0 = 1111010	$((360R-6R) / 360R) * (VGMN - VGSN) + VGSN$		
VNR15~18 6-0 = 1111011	$((360R-5R) / 360R) * (VGMN - VGSN) + VGSN$		
VNR15~18 6-0 = 1111100	$((360R-4R) / 360R) * (VGMN - VGSN) + VGSN$		
VNR15~18 6-0 = 1111101	$((360R-3R) / 360R) * (VGMN - VGSN) + VGSN$		
VNR15~18 6-0 = 1111110	$((360R-2R) / 360R) * (VGMN - VGSN) + VGSN$		
VNR15~18 6-0 = 1111111	$((360R-1R) / 360R) * (VGMN - VGSN) + VGSN$		

Table 8.11: VON15~18

Reference voltage	Amplitude adjustment value	VON13/VON14 formula	
VON13/VON14	VNR13/14 6-0 = 0000000	$((344R-128R) / 360R) * (VG_{MN} - VG_{SN}) + VG_{SN}$	
	VNR13/14 6-0 = 0000001	$((344R-127R) / 360R) * (VG_{MN} - VG_{SN}) + VG_{SN}$	
	VNR13/14 6-0 = 0000010	$((344R-126R) / 360R) * (VG_{MN} - VG_{SN}) + VG_{SN}$	
	VNR13/14 6-0 = 0000011	$((344R-125R) / 360R) * (VG_{MN} - VG_{SN}) + VG_{SN}$	
	VNR13/14 6-0 = 0000100	$((344R-124R) / 360R) * (VG_{MN} - VG_{SN}) + VG_{SN}$	
	VNR13/14 6-0 = 0000101	$((344R-123R) / 360R) * (VG_{MN} - VG_{SN}) + VG_{SN}$	
	VNR13/14 6-0 = 0000110	$((344R-122R) / 360R) * (VG_{MN} - VG_{SN}) + VG_{SN}$	
	VNR13/14 6-0 = 0000111	$((344R-121R) / 360R) * (VG_{MN} - VG_{SN}) + VG_{SN}$	
	VNR13/14 6-0 = 0001000	$((344R-120R) / 360R) * (VG_{MN} - VG_{SN}) + VG_{SN}$	
	VNR13/14 6-0 = 0001001	$((344R-119R) / 360R) * (VG_{MN} - VG_{SN}) + VG_{SN}$	
	VNR13/14 6-0 = 0001010	$((344R-117R) / 360R) * (VG_{MN} - VG_{SN}) + VG_{SN}$	
	VNR13/14 6-0 = 0001011	$((344R-116R) / 360R) * (VG_{MN} - VG_{SN}) + VG_{SN}$	
	VNR13/14 6-0 = 0001100	$((344R-115R) / 360R) * (VG_{MN} - VG_{SN}) + VG_{SN}$	
	VNR13/14 6-0 = 0001101	$((344R-114R) / 360R) * (VG_{MN} - VG_{SN}) + VG_{SN}$	
	VNR13/14 6-0 = 0001110	$((344R-113R) / 360R) * (VG_{MN} - VG_{SN}) + VG_{SN}$	
	VNR13/14 6-0 = 0001111	$((344R-112R) / 360R) * (VG_{MN} - VG_{SN}) + VG_{SN}$	
	VNR13/14 6-0 = 0010000	$((344R-111R) / 360R) * (VG_{MN} - VG_{SN}) + VG_{SN}$	
		▪	▪
		▪	▪
		▪	▪
	VNR13/14 6-0 = 1000000	$((344R-64R) / 360R) * (VG_{MN} - VG_{SN}) + VG_{SN}$	
	VNR13/14 6-0 = 1000001	$((344R-63R) / 360R) * (VG_{MN} - VG_{SN}) + VG_{SN}$	
	VNR13/14 6-0 = 1000010	$((344R-62R) / 360R) * (VG_{MN} - VG_{SN}) + VG_{SN}$	
	VNR13/14 6-0 = 1000011	$((344R-61R) / 360R) * (VG_{MN} - VG_{SN}) + VG_{SN}$	
	VNR13/14 6-0 = 1000100	$((344R-60R) / 360R) * (VG_{MN} - VG_{SN}) + VG_{SN}$	
	VNR13/14 6-0 = 1000101	$((344R-59R) / 360R) * (VG_{MN} - VG_{SN}) + VG_{SN}$	
	VNR13/14 6-0 = 1000110	$((344R-58R) / 360R) * (VG_{MN} - VG_{SN}) + VG_{SN}$	
	VNR13/14 6-0 = 1000111	$((344R-57R) / 360R) * (VG_{MN} - VG_{SN}) + VG_{SN}$	
	VNR13/14 6-0 = 1001000	$((344R-56R) / 360R) * (VG_{MN} - VG_{SN}) + VG_{SN}$	
	VNR13/14 6-0 = 1001001	$((344R-55R) / 360R) * (VG_{MN} - VG_{SN}) + VG_{SN}$	
	VNR13/14 6-0 = 1001010	$((344R-54R) / 360R) * (VG_{MN} - VG_{SN}) + VG_{SN}$	
	VNR13/14 6-0 = 1001011	$((344R-53R) / 360R) * (VG_{MN} - VG_{SN}) + VG_{SN}$	
	VNR13/14 6-0 = 1001100	$((344R-52R) / 360R) * (VG_{MN} - VG_{SN}) + VG_{SN}$	
	VNR13/14 6-0 = 1001101	$((344R-51R) / 360R) * (VG_{MN} - VG_{SN}) + VG_{SN}$	
	VNR13/14 6-0 = 1001110	$((344R-50R) / 360R) * (VG_{MN} - VG_{SN}) + VG_{SN}$	
	VNR13/14 6-0 = 1001111	$((344R-49R) / 360R) * (VG_{MN} - VG_{SN}) + VG_{SN}$	
	VNR13/14 6-0 = 1010000	$((344R-48R) / 360R) * (VG_{MN} - VG_{SN}) + VG_{SN}$	
		▪	▪
		▪	▪
		▪	▪
	VNR13/14 6-0 = 1110001	$((344R-15R) / 360R) * (VG_{MN} - VG_{SN}) + VG_{SN}$	
	VNR13/14 6-0 = 1110010	$((344R-14R) / 360R) * (VG_{MN} - VG_{SN}) + VG_{SN}$	
	VNR13/14 6-0 = 1110011	$((344R-13R) / 360R) * (VG_{MN} - VG_{SN}) + VG_{SN}$	
	VNR13/14 6-0 = 1110100	$((344R-12R) / 360R) * (VG_{MN} - VG_{SN}) + VG_{SN}$	
	VNR13/14 6-0 = 1110101	$((344R-11R) / 360R) * (VG_{MN} - VG_{SN}) + VG_{SN}$	
	VNR13/14 6-0 = 1110110	$((344R-10R) / 360R) * (VG_{MN} - VG_{SN}) + VG_{SN}$	
	VNR13/14 6-0 = 1110111	$((344R-9R) / 360R) * (VG_{MN} - VG_{SN}) + VG_{SN}$	
	VNR13/14 6-0 = 1111000	$((344R-8R) / 360R) * (VG_{MN} - VG_{SN}) + VG_{SN}$	
VNR13/14 6-0 = 1111001	$((344R-7R) / 360R) * (VG_{MN} - VG_{SN}) + VG_{SN}$		
VNR13/14 6-0 = 1111010	$((344R-6R) / 360R) * (VG_{MN} - VG_{SN}) + VG_{SN}$		
VNR13/14 6-0 = 1111011	$((344R-5R) / 360R) * (VG_{MN} - VG_{SN}) + VG_{SN}$		
VNR13/14 6-0 = 1111100	$((344R-4R) / 360R) * (VG_{MN} - VG_{SN}) + VG_{SN}$		
VNR13/14 6-0 = 1111101	$((344R-3R) / 360R) * (VG_{MN} - VG_{SN}) + VG_{SN}$		
VNR13/14 6-0 = 1111110	$((344R-2R) / 360R) * (VG_{MN} - VG_{SN}) + VG_{SN}$		
VNR13/14 6-0 = 1111111	$((344R-1R) / 360R) * (VG_{MN} - VG_{SN}) + VG_{SN}$		

Table 8.12: VON13/VON14

Reference voltage	Amplitude adjustment value	VON11/VON12 formula	
VON11/VON12	VNR11/12 6-0 = 0000000	$((316R-128R) / 360R) * (VGMN - VGSN) + VGSN$	
	VNR11/12 6-0 = 0000001	$((316R-127R) / 360R) * (VGMN - VGSN) + VGSN$	
	VNR11/12 6-0 = 0000010	$((316R-126R) / 360R) * (VGMN - VGSN) + VGSN$	
	VNR11/12 6-0 = 0000011	$((316R-125R) / 360R) * (VGMN - VGSN) + VGSN$	
	VNR11/12 6-0 = 0000100	$((316R-124R) / 360R) * (VGMN - VGSN) + VGSN$	
	VNR11/12 6-0 = 0000101	$((316R-123R) / 360R) * (VGMN - VGSN) + VGSN$	
	VNR11/12 6-0 = 0000110	$((316R-122R) / 360R) * (VGMN - VGSN) + VGSN$	
	VNR11/12 6-0 = 0000111	$((316R-121R) / 360R) * (VGMN - VGSN) + VGSN$	
	VNR11/12 6-0 = 0001000	$((316R-120R) / 360R) * (VGMN - VGSN) + VGSN$	
	VNR11/12 6-0 = 0001001	$((316R-119R) / 360R) * (VGMN - VGSN) + VGSN$	
	VNR11/12 6-0 = 0001010	$((316R-117R) / 360R) * (VGMN - VGSN) + VGSN$	
	VNR11/12 6-0 = 0001011	$((316R-116R) / 360R) * (VGMN - VGSN) + VGSN$	
	VNR11/12 6-0 = 0001100	$((316R-115R) / 360R) * (VGMN - VGSN) + VGSN$	
	VNR11/12 6-0 = 0001101	$((316R-114R) / 360R) * (VGMN - VGSN) + VGSN$	
	VNR11/12 6-0 = 0001110	$((316R-113R) / 360R) * (VGMN - VGSN) + VGSN$	
	VNR11/12 6-0 = 0001111	$((316R-112R) / 360R) * (VGMN - VGSN) + VGSN$	
	VNR11/12 6-0 = 0010000	$((316R-111R) / 360R) * (VGMN - VGSN) + VGSN$	
		▪	▪
		▪	▪
		▪	▪
	VNR11/12 6-0 = 1000000	$((316R-64R) / 360R) * (VGMN - VGSN) + VGSN$	
	VNR11/12 6-0 = 1000001	$((316R-63R) / 360R) * (VGMN - VGSN) + VGSN$	
	VNR11/12 6-0 = 1000010	$((316R-62R) / 360R) * (VGMN - VGSN) + VGSN$	
	VNR11/12 6-0 = 1000011	$((316R-61R) / 360R) * (VGMN - VGSN) + VGSN$	
	VNR11/12 6-0 = 1000100	$((316R-60R) / 360R) * (VGMN - VGSN) + VGSN$	
	VNR11/12 6-0 = 1000101	$((316R-59R) / 360R) * (VGMN - VGSN) + VGSN$	
	VNR11/12 6-0 = 1000110	$((316R-58R) / 360R) * (VGMN - VGSN) + VGSN$	
	VNR11/12 6-0 = 1000111	$((316R-57R) / 360R) * (VGMN - VGSN) + VGSN$	
	VNR11/12 6-0 = 1001000	$((316R-56R) / 360R) * (VGMN - VGSN) + VGSN$	
	VNR11/12 6-0 = 1001001	$((316R-55R) / 360R) * (VGMN - VGSN) + VGSN$	
	VNR11/12 6-0 = 1001010	$((316R-54R) / 360R) * (VGMN - VGSN) + VGSN$	
	VNR11/12 6-0 = 1001011	$((316R-53R) / 360R) * (VGMN - VGSN) + VGSN$	
	VNR11/12 6-0 = 1001100	$((316R-52R) / 360R) * (VGMN - VGSN) + VGSN$	
	VNR11/12 6-0 = 1001101	$((316R-51R) / 360R) * (VGMN - VGSN) + VGSN$	
	VNR11/12 6-0 = 1001110	$((316R-50R) / 360R) * (VGMN - VGSN) + VGSN$	
	VNR11/12 6-0 = 1001111	$((316R-49R) / 360R) * (VGMN - VGSN) + VGSN$	
	VNR11/12 6-0 = 1010000	$((316R-48R) / 360R) * (VGMN - VGSN) + VGSN$	
		▪	▪
		▪	▪
		▪	▪
	VNR11/12 6-0 = 1110001	$((316R-15R) / 360R) * (VGMN - VGSN) + VGSN$	
	VNR11/12 6-0 = 1110010	$((316R-14R) / 360R) * (VGMN - VGSN) + VGSN$	
	VNR11/12 6-0 = 1110011	$((316R-13R) / 360R) * (VGMN - VGSN) + VGSN$	
	VNR11/12 6-0 = 1110100	$((316R-12R) / 360R) * (VGMN - VGSN) + VGSN$	
	VNR11/12 6-0 = 1110101	$((316R-11R) / 360R) * (VGMN - VGSN) + VGSN$	
VNR11/12 6-0 = 1110110	$((316R-10R) / 360R) * (VGMN - VGSN) + VGSN$		
VNR11/12 6-0 = 1110111	$((316R-9R) / 360R) * (VGMN - VGSN) + VGSN$		
VNR11/12 6-0 = 1111000	$((316R-8R) / 360R) * (VGMN - VGSN) + VGSN$		
VNR11/12 6-0 = 1111001	$((316R-7R) / 360R) * (VGMN - VGSN) + VGSN$		
VNR11/12 6-0 = 1111010	$((316R-6R) / 360R) * (VGMN - VGSN) + VGSN$		
VNR11/12 6-0 = 1111011	$((316R-5R) / 360R) * (VGMN - VGSN) + VGSN$		
VNR11/12 6-0 = 1111100	$((316R-4R) / 360R) * (VGMN - VGSN) + VGSN$		
VNR11/12 6-0 = 1111101	$((316R-3R) / 360R) * (VGMN - VGSN) + VGSN$		
VNR11/12 6-0 = 1111110	$((316R-2R) / 360R) * (VGMN - VGSN) + VGSN$		
VNR11/12 6-0 = 1111111	$((316R-1R) / 360R) * (VGMN - VGSN) + VGSN$		

Table 8.13: VON11/VON12

Reference voltage	Amplitude adjustment value	VON10 formula	
VON10	VNR10 6-0 = 0000000	$((264R-128R) / 360R) * (VGMN - VGSN) + VGSN$	
	VNR10 6-0 = 0000001	$((264R-127R) / 360R) * (VGMN - VGSN) + VGSN$	
	VNR10 6-0 = 0000010	$((264R-126R) / 360R) * (VGMN - VGSN) + VGSN$	
	VNR10 6-0 = 0000011	$((264R-125R) / 360R) * (VGMN - VGSN) + VGSN$	
	VNR10 6-0 = 0000100	$((264R-124R) / 360R) * (VGMN - VGSN) + VGSN$	
	VNR10 6-0 = 0000101	$((264R-123R) / 360R) * (VGMN - VGSN) + VGSN$	
	VNR10 6-0 = 0000110	$((264R-122R) / 360R) * (VGMN - VGSN) + VGSN$	
	VNR10 6-0 = 0000111	$((264R-121R) / 360R) * (VGMN - VGSN) + VGSN$	
	VNR10 6-0 = 0001000	$((264R-120R) / 360R) * (VGMN - VGSN) + VGSN$	
	VNR10 6-0 = 0001001	$((264R-119R) / 360R) * (VGMN - VGSN) + VGSN$	
	VNR10 6-0 = 0001010	$((264R-117R) / 360R) * (VGMN - VGSN) + VGSN$	
	VNR10 6-0 = 0001011	$((264R-116R) / 360R) * (VGMN - VGSN) + VGSN$	
	VNR10 6-0 = 0001100	$((264R-115R) / 360R) * (VGMN - VGSN) + VGSN$	
	VNR10 6-0 = 0001101	$((264R-114R) / 360R) * (VGMN - VGSN) + VGSN$	
	VNR10 6-0 = 0001110	$((264R-113R) / 360R) * (VGMN - VGSN) + VGSN$	
	VNR10 6-0 = 0001111	$((264R-112R) / 360R) * (VGMN - VGSN) + VGSN$	
	VNR10 6-0 = 0010000	$((264R-111R) / 360R) * (VGMN - VGSN) + VGSN$	
		▪	▪
		▪	▪
		▪	▪
	VNR10 6-0 = 1000000	$((264R-64R) / 360R) * (VGMN - VGSN) + VGSN$	
	VNR10 6-0 = 1000001	$((264R-63R) / 360R) * (VGMN - VGSN) + VGSN$	
	VNR10 6-0 = 1000010	$((264R-62R) / 360R) * (VGMN - VGSN) + VGSN$	
	VNR10 6-0 = 1000011	$((264R-61R) / 360R) * (VGMN - VGSN) + VGSN$	
	VNR10 6-0 = 1000100	$((264R-60R) / 360R) * (VGMN - VGSN) + VGSN$	
	VNR10 6-0 = 1000101	$((264R-59R) / 360R) * (VGMN - VGSN) + VGSN$	
	VNR10 6-0 = 1000110	$((264R-58R) / 360R) * (VGMN - VGSN) + VGSN$	
	VNR10 6-0 = 1000111	$((264R-57R) / 360R) * (VGMN - VGSN) + VGSN$	
	VNR10 6-0 = 1001000	$((264R-56R) / 360R) * (VGMN - VGSN) + VGSN$	
	VNR10 6-0 = 1001001	$((264R-55R) / 360R) * (VGMN - VGSN) + VGSN$	
	VNR10 6-0 = 1001010	$((264R-54R) / 360R) * (VGMN - VGSN) + VGSN$	
	VNR10 6-0 = 1001011	$((264R-53R) / 360R) * (VGMN - VGSN) + VGSN$	
	VNR10 6-0 = 1001100	$((264R-52R) / 360R) * (VGMN - VGSN) + VGSN$	
	VNR10 6-0 = 1001101	$((264R-51R) / 360R) * (VGMN - VGSN) + VGSN$	
	VNR10 6-0 = 1001110	$((264R-50R) / 360R) * (VGMN - VGSN) + VGSN$	
	VNR10 6-0 = 1001111	$((264R-49R) / 360R) * (VGMN - VGSN) + VGSN$	
	VNR10 6-0 = 1010000	$((264R-48R) / 360R) * (VGMN - VGSN) + VGSN$	
		▪	▪
		▪	▪
		▪	▪
	VNR10 6-0 = 1110001	$((264R-15R) / 360R) * (VGMN - VGSN) + VGSN$	
	VNR10 6-0 = 1110010	$((264R-14R) / 360R) * (VGMN - VGSN) + VGSN$	
	VNR10 6-0 = 1110011	$((264R-13R) / 360R) * (VGMN - VGSN) + VGSN$	
	VNR10 6-0 = 1110100	$((264R-12R) / 360R) * (VGMN - VGSN) + VGSN$	
	VNR10 6-0 = 1110101	$((264R-11R) / 360R) * (VGMN - VGSN) + VGSN$	
VNR10 6-0 = 1110110	$((264R-10R) / 360R) * (VGMN - VGSN) + VGSN$		
VNR10 6-0 = 1110111	$((264R-9R) / 360R) * (VGMN - VGSN) + VGSN$		
VNR10 6-0 = 1111000	$((264R-8R) / 360R) * (VGMN - VGSN) + VGSN$		
VNR10 6-0 = 1111001	$((264R-7R) / 360R) * (VGMN - VGSN) + VGSN$		
VNR10 6-0 = 1111010	$((264R-6R) / 360R) * (VGMN - VGSN) + VGSN$		
VNR10 6-0 = 1111011	$((264R-5R) / 360R) * (VGMN - VGSN) + VGSN$		
VNR10 6-0 = 1111100	$((264R-4R) / 360R) * (VGMN - VGSN) + VGSN$		
VNR10 6-0 = 1111101	$((264R-3R) / 360R) * (VGMN - VGSN) + VGSN$		
VNR10 6-0 = 1111110	$((264R-2R) / 360R) * (VGMN - VGSN) + VGSN$		
VNR10 6-0 = 1111111	$((264R-1R) / 360R) * (VGMN - VGSN) + VGSN$		

Table 8.14: VON10

Reference voltage	Amplitude adjustment value	VON9 formula	
VON9	VNR9 6-0 = 0000000	$((244R-128R) / 360R) * (VGMN - VGSN) + VGSN$	
	VNR9 6-0 = 0000001	$((244R-127R) / 360R) * (VGMN - VGSN) + VGSN$	
	VNR9 6-0 = 0000010	$((244R-126R) / 360R) * (VGMN - VGSN) + VGSN$	
	VNR9 6-0 = 0000011	$((244R-125R) / 360R) * (VGMN - VGSN) + VGSN$	
	VNR9 6-0 = 0000100	$((244R-124R) / 360R) * (VGMN - VGSN) + VGSN$	
	VNR9 6-0 = 0000101	$((244R-123R) / 360R) * (VGMN - VGSN) + VGSN$	
	VNR9 6-0 = 0000110	$((244R-122R) / 360R) * (VGMN - VGSN) + VGSN$	
	VNR9 6-0 = 0000111	$((244R-121R) / 360R) * (VGMN - VGSN) + VGSN$	
	VNR9 6-0 = 0001000	$((244R-120R) / 360R) * (VGMN - VGSN) + VGSN$	
	VNR9 6-0 = 0001001	$((244R-119R) / 360R) * (VGMN - VGSN) + VGSN$	
	VNR9 6-0 = 0001010	$((244R-117R) / 360R) * (VGMN - VGSN) + VGSN$	
	VNR9 6-0 = 0001011	$((244R-116R) / 360R) * (VGMN - VGSN) + VGSN$	
	VNR9 6-0 = 0001100	$((244R-115R) / 360R) * (VGMN - VGSN) + VGSN$	
	VNR9 6-0 = 0001101	$((244R-114R) / 360R) * (VGMN - VGSN) + VGSN$	
	VNR9 6-0 = 0001110	$((244R-113R) / 360R) * (VGMN - VGSN) + VGSN$	
	VNR9 6-0 = 0001111	$((244R-112R) / 360R) * (VGMN - VGSN) + VGSN$	
	VNR9 6-0 = 0010000	$((244R-111R) / 360R) * (VGMN - VGSN) + VGSN$	
	VNR9 6-0 = 1000000	$((244R-64R) / 360R) * (VGMN - VGSN) + VGSN$	
	VNR9 6-0 = 1000001	$((244R-63R) / 360R) * (VGMN - VGSN) + VGSN$	
	VNR9 6-0 = 1000010	$((244R-62R) / 360R) * (VGMN - VGSN) + VGSN$	
	VNR9 6-0 = 1000011	$((244R-61R) / 360R) * (VGMN - VGSN) + VGSN$	
	VNR9 6-0 = 1000100	$((244R-60R) / 360R) * (VGMN - VGSN) + VGSN$	
	VNR9 6-0 = 1000101	$((244R-59R) / 360R) * (VGMN - VGSN) + VGSN$	
	VNR9 6-0 = 1000110	$((244R-58R) / 360R) * (VGMN - VGSN) + VGSN$	
	VNR9 6-0 = 1000111	$((244R-57R) / 360R) * (VGMN - VGSN) + VGSN$	
	VNR9 6-0 = 1001000	$((244R-56R) / 360R) * (VGMN - VGSN) + VGSN$	
	VNR9 6-0 = 1001001	$((244R-55R) / 360R) * (VGMN - VGSN) + VGSN$	
	VNR9 6-0 = 1001010	$((244R-54R) / 360R) * (VGMN - VGSN) + VGSN$	
	VNR9 6-0 = 1001011	$((244R-53R) / 360R) * (VGMN - VGSN) + VGSN$	
	VNR9 6-0 = 1001100	$((244R-52R) / 360R) * (VGMN - VGSN) + VGSN$	
	VNR9 6-0 = 1001101	$((244R-51R) / 360R) * (VGMN - VGSN) + VGSN$	
	VNR9 6-0 = 1001110	$((244R-50R) / 360R) * (VGMN - VGSN) + VGSN$	
	VNR9 6-0 = 1001111	$((244R-49R) / 360R) * (VGMN - VGSN) + VGSN$	
	VNR9 6-0 = 1010000	$((244R-48R) / 360R) * (VGMN - VGSN) + VGSN$	
	VNR9 6-0 = 1110001	$((244R-15R) / 360R) * (VGMN - VGSN) + VGSN$	
	VNR9 6-0 = 1110010	$((244R-14R) / 360R) * (VGMN - VGSN) + VGSN$	
	VNR9 6-0 = 1110011	$((244R-13R) / 360R) * (VGMN - VGSN) + VGSN$	
	VNR9 6-0 = 1110100	$((244R-12R) / 360R) * (VGMN - VGSN) + VGSN$	
	VNR9 6-0 = 1110101	$((244R-11R) / 360R) * (VGMN - VGSN) + VGSN$	
	VNR9 6-0 = 1110110	$((244R-10R) / 360R) * (VGMN - VGSN) + VGSN$	
	VNR9 6-0 = 1110111	$((244R-9R) / 360R) * (VGMN - VGSN) + VGSN$	
	VNR9 6-0 = 1111000	$((244R-8R) / 360R) * (VGMN - VGSN) + VGSN$	
VNR9 6-0 = 1111001	$((244R-7R) / 360R) * (VGMN - VGSN) + VGSN$		
VNR9 6-0 = 1111010	$((244R-6R) / 360R) * (VGMN - VGSN) + VGSN$		
VNR9 6-0 = 1111011	$((244R-5R) / 360R) * (VGMN - VGSN) + VGSN$		
VNR9 6-0 = 1111100	$((244R-4R) / 360R) * (VGMN - VGSN) + VGSN$		
VNR9 6-0 = 1111101	$((244R-3R) / 360R) * (VGMN - VGSN) + VGSN$		
VNR9 6-0 = 1111110	$((244R-2R) / 360R) * (VGMN - VGSN) + VGSN$		
VNR9 6-0 = 1111111	$((244R-1R) / 360R) * (VGMN - VGSN) + VGSN$		

Table 8.15: VON9

Reference voltage	Amplitude adjustment value	VON8 formula	
VON8	VNR8 6-0 = 0000000	$((224R-128R) / 360R) * (VGMN - VGSN) + VGSN$	
	VNR8 6-0 = 0000001	$((224R-127R) / 360R) * (VGMN - VGSN) + VGSN$	
	VNR8 6-0 = 0000010	$((224R-126R) / 360R) * (VGMN - VGSN) + VGSN$	
	VNR8 6-0 = 0000011	$((224R-125R) / 360R) * (VGMN - VGSN) + VGSN$	
	VNR8 6-0 = 0000100	$((224R-124R) / 360R) * (VGMN - VGSN) + VGSN$	
	VNR8 6-0 = 0000101	$((224R-123R) / 360R) * (VGMN - VGSN) + VGSN$	
	VNR8 6-0 = 0000110	$((224R-122R) / 360R) * (VGMN - VGSN) + VGSN$	
	VNR8 6-0 = 0000111	$((224R-121R) / 360R) * (VGMN - VGSN) + VGSN$	
	VNR8 6-0 = 0001000	$((224R-120R) / 360R) * (VGMN - VGSN) + VGSN$	
	VNR8 6-0 = 0001001	$((224R-119R) / 360R) * (VGMN - VGSN) + VGSN$	
	VNR8 6-0 = 0001010	$((224R-117R) / 360R) * (VGMN - VGSN) + VGSN$	
	VNR8 6-0 = 0001011	$((224R-116R) / 360R) * (VGMN - VGSN) + VGSN$	
	VNR8 6-0 = 0001100	$((224R-115R) / 360R) * (VGMN - VGSN) + VGSN$	
	VNR8 6-0 = 0001101	$((224R-114R) / 360R) * (VGMN - VGSN) + VGSN$	
	VNR8 6-0 = 0001110	$((224R-113R) / 360R) * (VGMN - VGSN) + VGSN$	
	VNR8 6-0 = 0001111	$((224R-112R) / 360R) * (VGMN - VGSN) + VGSN$	
	VNR8 6-0 = 0010000	$((224R-111R) / 360R) * (VGMN - VGSN) + VGSN$	
		▪	▪
		▪	▪
		▪	▪
	VNR8 6-0 = 1000000	$((224R-64R) / 360R) * (VGMN - VGSN) + VGSN$	
	VNR8 6-0 = 1000001	$((224R-63R) / 360R) * (VGMN - VGSN) + VGSN$	
	VNR8 6-0 = 1000010	$((224R-62R) / 360R) * (VGMN - VGSN) + VGSN$	
	VNR8 6-0 = 1000011	$((224R-61R) / 360R) * (VGMN - VGSN) + VGSN$	
	VNR8 6-0 = 1000100	$((224R-60R) / 360R) * (VGMN - VGSN) + VGSN$	
	VNR8 6-0 = 1000101	$((224R-59R) / 360R) * (VGMN - VGSN) + VGSN$	
	VNR8 6-0 = 1000110	$((224R-58R) / 360R) * (VGMN - VGSN) + VGSN$	
	VNR8 6-0 = 1000111	$((224R-57R) / 360R) * (VGMN - VGSN) + VGSN$	
	VNR8 6-0 = 1001000	$((224R-56R) / 360R) * (VGMN - VGSN) + VGSN$	
	VNR8 6-0 = 1001001	$((224R-55R) / 360R) * (VGMN - VGSN) + VGSN$	
	VNR8 6-0 = 1001010	$((224R-54R) / 360R) * (VGMN - VGSN) + VGSN$	
	VNR8 6-0 = 1001011	$((224R-53R) / 360R) * (VGMN - VGSN) + VGSN$	
	VNR8 6-0 = 1001100	$((224R-52R) / 360R) * (VGMN - VGSN) + VGSN$	
	VNR8 6-0 = 1001101	$((224R-51R) / 360R) * (VGMN - VGSN) + VGSN$	
	VNR8 6-0 = 1001110	$((224R-50R) / 360R) * (VGMN - VGSN) + VGSN$	
	VNR8 6-0 = 1001111	$((224R-49R) / 360R) * (VGMN - VGSN) + VGSN$	
	VNR8 6-0 = 1010000	$((224R-48R) / 360R) * (VGMN - VGSN) + VGSN$	
		▪	▪
		▪	▪
		▪	▪
	VNR8 6-0 = 1110001	$((224R-15R) / 360R) * (VGMN - VGSN) + VGSN$	
	VNR8 6-0 = 1110010	$((224R-14R) / 360R) * (VGMN - VGSN) + VGSN$	
	VNR8 6-0 = 1110011	$((224R-13R) / 360R) * (VGMN - VGSN) + VGSN$	
	VNR8 6-0 = 1110100	$((224R-12R) / 360R) * (VGMN - VGSN) + VGSN$	
	VNR8 6-0 = 1110101	$((224R-11R) / 360R) * (VGMN - VGSN) + VGSN$	
	VNR8 6-0 = 1110110	$((224R-10R) / 360R) * (VGMN - VGSN) + VGSN$	
	VNR8 6-0 = 1110111	$((224R-9R) / 360R) * (VGMN - VGSN) + VGSN$	
	VNR8 6-0 = 1111000	$((224R-8R) / 360R) * (VGMN - VGSN) + VGSN$	
VNR8 6-0 = 1111001	$((224R-7R) / 360R) * (VGMN - VGSN) + VGSN$		
VNR8 6-0 = 1111010	$((224R-6R) / 360R) * (VGMN - VGSN) + VGSN$		
VNR8 6-0 = 1111011	$((224R-5R) / 360R) * (VGMN - VGSN) + VGSN$		
VNR8 6-0 = 1111100	$((224R-4R) / 360R) * (VGMN - VGSN) + VGSN$		
VNR8 6-0 = 1111101	$((224R-3R) / 360R) * (VGMN - VGSN) + VGSN$		
VNR8 6-0 = 1111110	$((224R-2R) / 360R) * (VGMN - VGSN) + VGSN$		
VNR8 6-0 = 1111111	$((224R-1R) / 360R) * (VGMN - VGSN) + VGSN$		

Table 8.16: VON8



Reference voltage	Amplitude adjustment value	VON6/ VON7 formula	
VON6/ VON7	VNR6/7 6-0 = 0000000	$((172R-128R) / 360R) * (VG_{MN} - VG_{SN}) + VG_{SN}$	
	VNR6/7 6-0 = 0000001	$((172R-127R) / 360R) * (VG_{MN} - VG_{SN}) + VG_{SN}$	
	VNR6/7 6-0 = 0000010	$((172R-126R) / 360R) * (VG_{MN} - VG_{SN}) + VG_{SN}$	
	VNR6/7 6-0 = 0000011	$((172R-125R) / 360R) * (VG_{MN} - VG_{SN}) + VG_{SN}$	
	VNR6/7 6-0 = 0000100	$((172R-124R) / 360R) * (VG_{MN} - VG_{SN}) + VG_{SN}$	
	VNR6/7 6-0 = 0000101	$((172R-123R) / 360R) * (VG_{MN} - VG_{SN}) + VG_{SN}$	
	VNR6/7 6-0 = 0000110	$((172R-122R) / 360R) * (VG_{MN} - VG_{SN}) + VG_{SN}$	
	VNR6/7 6-0 = 0000111	$((172R-121R) / 360R) * (VG_{MN} - VG_{SN}) + VG_{SN}$	
	VNR6/7 6-0 = 0001000	$((172R-120R) / 360R) * (VG_{MN} - VG_{SN}) + VG_{SN}$	
	VNR6/7 6-0 = 0001001	$((172R-119R) / 360R) * (VG_{MN} - VG_{SN}) + VG_{SN}$	
	VNR6/7 6-0 = 0001010	$((172R-117R) / 360R) * (VG_{MN} - VG_{SN}) + VG_{SN}$	
	VNR6/7 6-0 = 0001011	$((172R-116R) / 360R) * (VG_{MN} - VG_{SN}) + VG_{SN}$	
	VNR6/7 6-0 = 0001100	$((172R-115R) / 360R) * (VG_{MN} - VG_{SN}) + VG_{SN}$	
	VNR6/7 6-0 = 0001101	$((172R-114R) / 360R) * (VG_{MN} - VG_{SN}) + VG_{SN}$	
	VNR6/7 6-0 = 0001110	$((172R-113R) / 360R) * (VG_{MN} - VG_{SN}) + VG_{SN}$	
	VNR6/7 6-0 = 0001111	$((172R-112R) / 360R) * (VG_{MN} - VG_{SN}) + VG_{SN}$	
	VNR6/7 6-0 = 0010000	$((172R-111R) / 360R) * (VG_{MN} - VG_{SN}) + VG_{SN}$	
		▪	▪
		▪	▪
		▪	▪
	VNR6/7 6-0 = 1000000	$((172R-64R) / 360R) * (VG_{MN} - VG_{SN}) + VG_{SN}$	
	VNR6/7 6-0 = 1000001	$((172R-63R) / 360R) * (VG_{MN} - VG_{SN}) + VG_{SN}$	
	VNR6/7 6-0 = 1000010	$((172R-62R) / 360R) * (VG_{MN} - VG_{SN}) + VG_{SN}$	
	VNR6/7 6-0 = 1000011	$((172R-61R) / 360R) * (VG_{MN} - VG_{SN}) + VG_{SN}$	
	VNR6/7 6-0 = 1000100	$((172R-60R) / 360R) * (VG_{MN} - VG_{SN}) + VG_{SN}$	
	VNR6/7 6-0 = 1000101	$((172R-59R) / 360R) * (VG_{MN} - VG_{SN}) + VG_{SN}$	
	VNR6/7 6-0 = 1000110	$((172R-58R) / 360R) * (VG_{MN} - VG_{SN}) + VG_{SN}$	
	VNR6/7 6-0 = 1000111	$((172R-57R) / 360R) * (VG_{MN} - VG_{SN}) + VG_{SN}$	
	VNR6/7 6-0 = 1001000	$((172R-56R) / 360R) * (VG_{MN} - VG_{SN}) + VG_{SN}$	
	VNR6/7 6-0 = 1001001	$((172R-55R) / 360R) * (VG_{MN} - VG_{SN}) + VG_{SN}$	
	VNR6/7 6-0 = 1001010	$((172R-54R) / 360R) * (VG_{MN} - VG_{SN}) + VG_{SN}$	
	VNR6/7 6-0 = 1001011	$((172R-53R) / 360R) * (VG_{MN} - VG_{SN}) + VG_{SN}$	
	VNR6/7 6-0 = 1001100	$((172R-52R) / 360R) * (VG_{MN} - VG_{SN}) + VG_{SN}$	
	VNR6/7 6-0 = 1001101	$((172R-51R) / 360R) * (VG_{MN} - VG_{SN}) + VG_{SN}$	
	VNR6/7 6-0 = 1001110	$((172R-50R) / 360R) * (VG_{MN} - VG_{SN}) + VG_{SN}$	
	VNR6/7 6-0 = 1001111	$((172R-49R) / 360R) * (VG_{MN} - VG_{SN}) + VG_{SN}$	
	VNR6/7 6-0 = 1010000	$((172R-48R) / 360R) * (VG_{MN} - VG_{SN}) + VG_{SN}$	
		▪	▪
		▪	▪
		▪	▪
	VNR6/7 6-0 = 1110001	$((172R-15R) / 360R) * (VG_{MN} - VG_{SN}) + VG_{SN}$	
	VNR6/7 6-0 = 1110010	$((172R-14R) / 360R) * (VG_{MN} - VG_{SN}) + VG_{SN}$	
	VNR6/7 6-0 = 1110011	$((172R-13R) / 360R) * (VG_{MN} - VG_{SN}) + VG_{SN}$	
	VNR6/7 6-0 = 1110100	$((172R-12R) / 360R) * (VG_{MN} - VG_{SN}) + VG_{SN}$	
	VNR6/7 6-0 = 1110101	$((172R-11R) / 360R) * (VG_{MN} - VG_{SN}) + VG_{SN}$	
	VNR6/7 6-0 = 1110110	$((172R-10R) / 360R) * (VG_{MN} - VG_{SN}) + VG_{SN}$	
	VNR6/7 6-0 = 1110111	$((172R-9R) / 360R) * (VG_{MN} - VG_{SN}) + VG_{SN}$	
	VNR6/7 6-0 = 1111000	$((172R-8R) / 360R) * (VG_{MN} - VG_{SN}) + VG_{SN}$	
VNR6/7 6-0 = 1111001	$((172R-7R) / 360R) * (VG_{MN} - VG_{SN}) + VG_{SN}$		
VNR6/7 6-0 = 1111010	$((172R-6R) / 360R) * (VG_{MN} - VG_{SN}) + VG_{SN}$		
VNR6/7 6-0 = 1111011	$((172R-5R) / 360R) * (VG_{MN} - VG_{SN}) + VG_{SN}$		
VNR6/7 6-0 = 1111100	$((172R-4R) / 360R) * (VG_{MN} - VG_{SN}) + VG_{SN}$		
VNR6/7 6-0 = 1111101	$((172R-3R) / 360R) * (VG_{MN} - VG_{SN}) + VG_{SN}$		
VNR6/7 6-0 = 1111110	$((172R-2R) / 360R) * (VG_{MN} - VG_{SN}) + VG_{SN}$		
VNR6/7 6-0 = 1111111	$((172R-1R) / 360R) * (VG_{MN} - VG_{SN}) + VG_{SN}$		

Table 8.17: VON6/ VON7

Reference voltage	Amplitude adjustment value	VON4/ VON5 formula	
VON4/ VON5	VNR4/5 6-0 = 0000000	$((144R-128R) / 360R) * (VGMN - VGSN) + VGSN$	
	VNR4/5 6-0 = 0000001	$((144R-127R) / 360R) * (VGMN - VGSN) + VGSN$	
	VNR4/5 6-0 = 0000010	$((144R-126R) / 360R) * (VGMN - VGSN) + VGSN$	
	VNR4/5 6-0 = 0000011	$((144R-125R) / 360R) * (VGMN - VGSN) + VGSN$	
	VNR4/5 6-0 = 0000100	$((144R-124R) / 360R) * (VGMN - VGSN) + VGSN$	
	VNR4/5 6-0 = 0000101	$((144R-123R) / 360R) * (VGMN - VGSN) + VGSN$	
	VNR4/5 6-0 = 0000110	$((144R-122R) / 360R) * (VGMN - VGSN) + VGSN$	
	VNR4/5 6-0 = 0000111	$((144R-121R) / 360R) * (VGMN - VGSN) + VGSN$	
	VNR4/5 6-0 = 0001000	$((144R-120R) / 360R) * (VGMN - VGSN) + VGSN$	
	VNR4/5 6-0 = 0001001	$((144R-119R) / 360R) * (VGMN - VGSN) + VGSN$	
	VNR4/5 6-0 = 0001010	$((144R-117R) / 360R) * (VGMN - VGSN) + VGSN$	
	VNR4/5 6-0 = 0001011	$((144R-116R) / 360R) * (VGMN - VGSN) + VGSN$	
	VNR4/5 6-0 = 0001100	$((144R-115R) / 360R) * (VGMN - VGSN) + VGSN$	
	VNR4/5 6-0 = 0001101	$((144R-114R) / 360R) * (VGMN - VGSN) + VGSN$	
	VNR4/5 6-0 = 0001110	$((144R-113R) / 360R) * (VGMN - VGSN) + VGSN$	
	VNR4/5 6-0 = 0001111	$((144R-112R) / 360R) * (VGMN - VGSN) + VGSN$	
	VNR4/5 6-0 = 0010000	$((144R-111R) / 360R) * (VGMN - VGSN) + VGSN$	
		▪	▪
		▪	▪
		▪	▪
	VNR4/5 6-0 = 1000000	$((144R-64R) / 360R) * (VGMN - VGSN) + VGSN$	
	VNR4/5 6-0 = 1000001	$((144R-63R) / 360R) * (VGMN - VGSN) + VGSN$	
	VNR4/5 6-0 = 1000010	$((144R-62R) / 360R) * (VGMN - VGSN) + VGSN$	
	VNR4/5 6-0 = 1000011	$((144R-61R) / 360R) * (VGMN - VGSN) + VGSN$	
	VNR4/5 6-0 = 1000100	$((144R-60R) / 360R) * (VGMN - VGSN) + VGSN$	
	VNR4/5 6-0 = 1000101	$((144R-59R) / 360R) * (VGMN - VGSN) + VGSN$	
	VNR4/5 6-0 = 1000110	$((144R-58R) / 360R) * (VGMN - VGSN) + VGSN$	
	VNR4/5 6-0 = 1000111	$((144R-57R) / 360R) * (VGMN - VGSN) + VGSN$	
	VNR4/5 6-0 = 1001000	$((144R-56R) / 360R) * (VGMN - VGSN) + VGSN$	
	VNR4/5 6-0 = 1001001	$((144R-55R) / 360R) * (VGMN - VGSN) + VGSN$	
	VNR4/5 6-0 = 1001010	$((144R-54R) / 360R) * (VGMN - VGSN) + VGSN$	
	VNR4/5 6-0 = 1001011	$((144R-53R) / 360R) * (VGMN - VGSN) + VGSN$	
	VNR4/5 6-0 = 1001100	$((144R-52R) / 360R) * (VGMN - VGSN) + VGSN$	
	VNR4/5 6-0 = 1001101	$((144R-51R) / 360R) * (VGMN - VGSN) + VGSN$	
	VNR4/5 6-0 = 1001110	$((144R-50R) / 360R) * (VGMN - VGSN) + VGSN$	
	VNR4/5 6-0 = 1001111	$((144R-49R) / 360R) * (VGMN - VGSN) + VGSN$	
	VNR4/5 6-0 = 1010000	$((144R-48R) / 360R) * (VGMN - VGSN) + VGSN$	
		▪	▪
		▪	▪
		▪	▪
	VNR4/5 6-0 = 1110001	$((144R-15R) / 360R) * (VGMN - VGSN) + VGSN$	
	VNR4/5 6-0 = 1110010	$((144R-14R) / 360R) * (VGMN - VGSN) + VGSN$	
	VNR4/5 6-0 = 1110011	$((144R-13R) / 360R) * (VGMN - VGSN) + VGSN$	
	VNR4/5 6-0 = 1110100	$((144R-12R) / 360R) * (VGMN - VGSN) + VGSN$	
	VNR4/5 6-0 = 1110101	$((144R-11R) / 360R) * (VGMN - VGSN) + VGSN$	
VNR4/5 6-0 = 1110110	$((144R-10R) / 360R) * (VGMN - VGSN) + VGSN$		
VNR4/5 6-0 = 1110111	$((144R-9R) / 360R) * (VGMN - VGSN) + VGSN$		
VNR4/5 6-0 = 1111000	$((144R-8R) / 360R) * (VGMN - VGSN) + VGSN$		
VNR4/5 6-0 = 1111001	$((144R-7R) / 360R) * (VGMN - VGSN) + VGSN$		
VNR4/5 6-0 = 1111010	$((144R-6R) / 360R) * (VGMN - VGSN) + VGSN$		
VNR4/5 6-0 = 1111011	$((144R-5R) / 360R) * (VGMN - VGSN) + VGSN$		
VNR4/5 6-0 = 1111100	$((144R-4R) / 360R) * (VGMN - VGSN) + VGSN$		
VNR4/5 6-0 = 1111101	$((144R-3R) / 360R) * (VGMN - VGSN) + VGSN$		
VNR4/5 6-0 = 1111110	$((144R-2R) / 360R) * (VGMN - VGSN) + VGSN$		
VNR4/5 6-0 = 1111111	$((144R-1R) / 360R) * (VGMN - VGSN) + VGSN$		

Table 8.18: VON4/ VON5



Reference voltage	Amplitude adjustment value	VON0~3 formula	
VON0~3	VNR0~3 6-0 = 0000000	$((128R-128R) / 360R) * (VGMN - VGSN) + VGSN$	
	VNR0~3 6-0 = 0000001	$((128R-127R) / 360R) * (VGMN - VGSN) + VGSN$	
	VRN0~3 6-0 = 0000010	$((128R-126R) / 360R) * (VGMN - VGSN) + VGSN$	
	VRN0~3 6-0 = 0000011	$((128R-125R) / 360R) * (VGMN - VGSN) + VGSN$	
	VRN0~3 6-0 = 0000100	$((128R-124R) / 360R) * (VGMN - VGSN) + VGSN$	
	VRN0~3 6-0 = 0000101	$((128R-123R) / 360R) * (VGMN - VGSN) + VGSN$	
	VRN0~3 6-0 = 0000110	$((128R-122R) / 360R) * (VGMN - VGSN) + VGSN$	
	VRN0~3 6-0 = 0000111	$((128R-121R) / 360R) * (VGMN - VGSN) + VGSN$	
	VRN0~3 6-0 = 0001000	$((128R-120R) / 360R) * (VGMN - VGSN) + VGSN$	
	VRN0~3 6-0 = 0001001	$((128R-119R) / 360R) * (VGMN - VGSN) + VGSN$	
	VRN0~3 6-0 = 0001010	$((128R-117R) / 360R) * (VGMN - VGSN) + VGSN$	
	VRN0~3 6-0 = 0001011	$((128R-116R) / 360R) * (VGMN - VGSN) + VGSN$	
	VRN0~3 6-0 = 0001100	$((128R-115R) / 360R) * (VGMN - VGSN) + VGSN$	
	VRN0~3 6-0 = 0001101	$((128R-114R) / 360R) * (VGMN - VGSN) + VGSN$	
	VRN0~3 6-0 = 0001110	$((128R-113R) / 360R) * (VGMN - VGSN) + VGSN$	
	VRN0~3 6-0 = 0001111	$((128R-112R) / 360R) * (VGMN - VGSN) + VGSN$	
	VRN0~3 6-0 = 0010000	$((128R-111R) / 360R) * (VGMN - VGSN) + VGSN$	
		▪	▪
		▪	▪
		▪	▪
	VNR0~3 6-0 = 1000000	$((128R-64R) / 360R) * (VGMN - VGSN) + VGSN$	
	VNR0~3 6-0 = 1000001	$((128R-63R) / 360R) * (VGMN - VGSN) + VGSN$	
	VRN0~3 6-0 = 1000010	$((128R-62R) / 360R) * (VGMN - VGSN) + VGSN$	
	VNR0~3 6-0 = 1000011	$((128R-61R) / 360R) * (VGMN - VGSN) + VGSN$	
	VNR0~3 6-0 = 1000100	$((128R-60R) / 360R) * (VGMN - VGSN) + VGSN$	
	VNR0~3 6-0 = 1000101	$((128R-59R) / 360R) * (VGMN - VGSN) + VGSN$	
	VNR0~3 6-0 = 1000110	$((128R-58R) / 360R) * (VGMN - VGSN) + VGSN$	
	VNR0~3 6-0 = 1000111	$((128R-57R) / 360R) * (VGMN - VGSN) + VGSN$	
	VNR0~3 6-0 = 1001000	$((128R-56R) / 360R) * (VGMN - VGSN) + VGSN$	
	VNR0~3 6-0 = 1001001	$((128R-55R) / 360R) * (VGMN - VGSN) + VGSN$	
	VNR0~3 6-0 = 1001010	$((128R-54R) / 360R) * (VGMN - VGSN) + VGSN$	
	VNR0~3 6-0 = 1001011	$((128R-53R) / 360R) * (VGMN - VGSN) + VGSN$	
	VNR0~3 6-0 = 1001100	$((128R-52R) / 360R) * (VGMN - VGSN) + VGSN$	
	VNR0~3 6-0 = 1001101	$((128R-51R) / 360R) * (VGMN - VGSN) + VGSN$	
	VNR0~3 6-0 = 1001110	$((128R-50R) / 360R) * (VGMN - VGSN) + VGSN$	
	VNR0~3 6-0 = 1001111	$((128R-49R) / 360R) * (VGMN - VGSN) + VGSN$	
	VNR0~3 6-0 = 1010000	$((128R-48R) / 360R) * (VGMN - VGSN) + VGSN$	
		▪	▪
		▪	▪
		▪	▪
	VNR0~3 6-0 = 1110001	$((128R-15R) / 360R) * (VGMN - VGSN) + VGSN$	
	VNR0~3 6-0 = 1110010	$((128R-14R) / 360R) * (VGMN - VGSN) + VGSN$	
	VNR0~3 6-0 = 1110011	$((128R-13R) / 360R) * (VGMN - VGSN) + VGSN$	
	VNR0~3 6-0 = 1110100	$((128R-12R) / 360R) * (VGMN - VGSN) + VGSN$	
	VNR0~3 6-0 = 1110101	$((128R-11R) / 360R) * (VGMN - VGSN) + VGSN$	
	VNR0~3 6-0 = 1110110	$((128R-10R) / 360R) * (VGMN - VGSN) + VGSN$	
	VNR0~3 6-0 = 1110111	$((128R-9R) / 360R) * (VGMN - VGSN) + VGSN$	
	VNR0~3 6-0 = 1111000	$((128R-8R) / 360R) * (VGMN - VGSN) + VGSN$	
VNR0~3 6-0 = 1111001	$((128R-7R) / 360R) * (VGMN - VGSN) + VGSN$		
VNR0~3 6-0 = 1111010	$((128R-6R) / 360R) * (VGMN - VGSN) + VGSN$		
VNR0~3 6-0 = 1111011	$((128R-5R) / 360R) * (VGMN - VGSN) + VGSN$		
VNR0~3 6-0 = 1111100	$((128R-4R) / 360R) * (VGMN - VGSN) + VGSN$		
VNR0~3 6-0 = 1111101	$((128R-3R) / 360R) * (VGMN - VGSN) + VGSN$		
VNR0~3 6-0 = 1111110	$((128R-2R) / 360R) * (VGMN - VGSN) + VGSN$		
VNR0~3 6-0 = 1111111	$((128R-1R) / 360R) * (VGMN - VGSN) + VGSN$		

Table 8.19: VON0~3

## 9. Function Description

### 9.1. Tearing effect Line

#### 9.1.1. Tearing effect Line mode

The Tearing Effect line supplies to the MPU a Panel synchronization signal and this signal can be enabled or disabled by the Tearing Effect Line Off & On commands. It can be used by the MPU to synchronize GRAM Writing when displaying video images. The mode of the Tearing Effect signal is defined by the parameter of the Tearing Effect Line On command.

Tearing Effect Line Modes

**Mode 1**, the Tearing Effect Output signal consists of V-Blanking Information only:

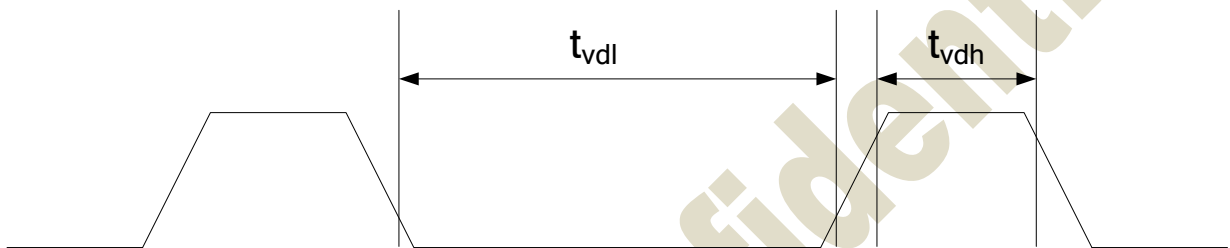


Figure 9.1: Tearing Effect Line mode 1

tvdh= The LCD display is not updated from the Frame Memory

tvdL= The LCD display is updated from the Frame Memory (except Invisible Line – see below)

The TE output timing will be defined by TE\_Delay[10:0] setting under mode 1.

Ex: 1. FP=BP=VS=2 line.

VBP[7:0]=VFP[7:0]=1

TE\_Delay [10:0]=0, then TE signal will output after last line finished.

TE\_Delay [10:0]=1, then TE signal will output at first line start.

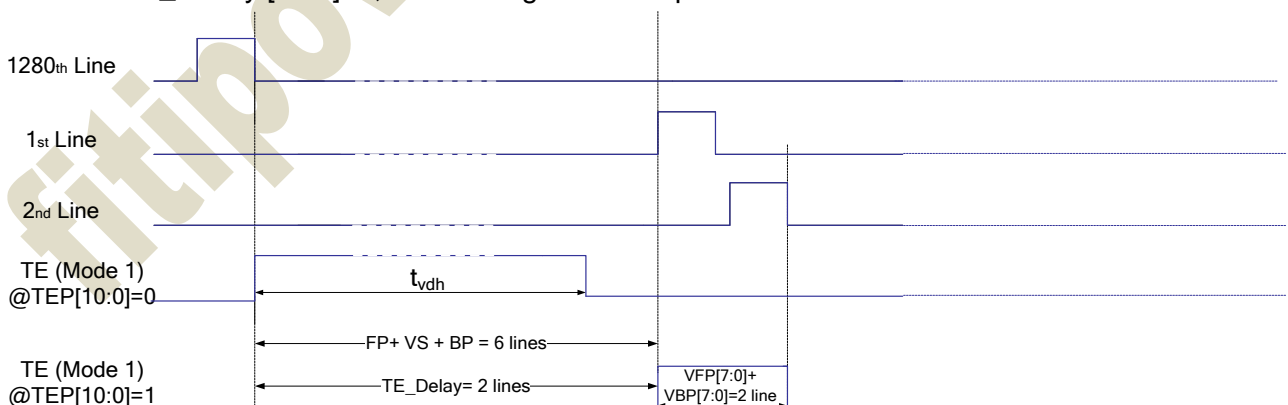
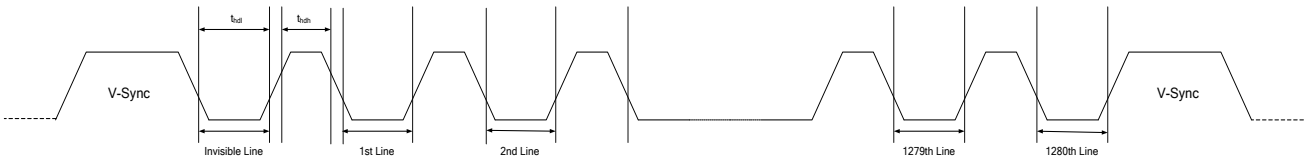


Figure 9.2: TE Line Delay under mode 1

**Mode 2**, the Tearing Effect Output signal consists of V-sync and H-sync Information, there is one V-sync and N H-sync pulses per field.

N: If the resolution is 800 RGB X 1280, the N=1280.



**Figure 9.3: Tearing Effect Line mode 2**

thdh= The LCD display is not updated from the Frame Memory

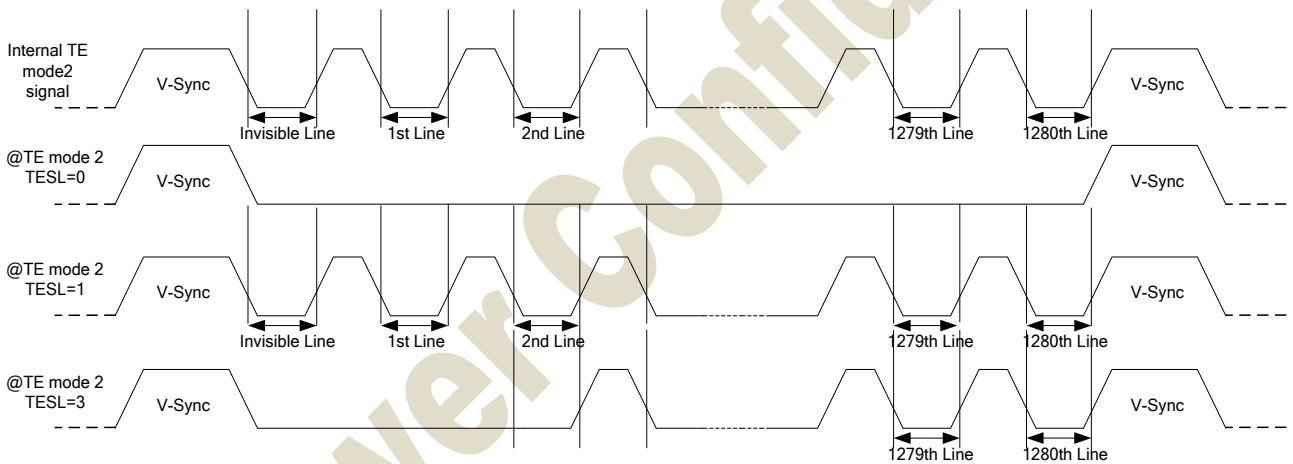
thdl= The LCD display is updated from the Frame Memory (except Invisible Line – see above)

The H-sync pulses output amount will be defined by TESL[15:0] setting under Mode2.

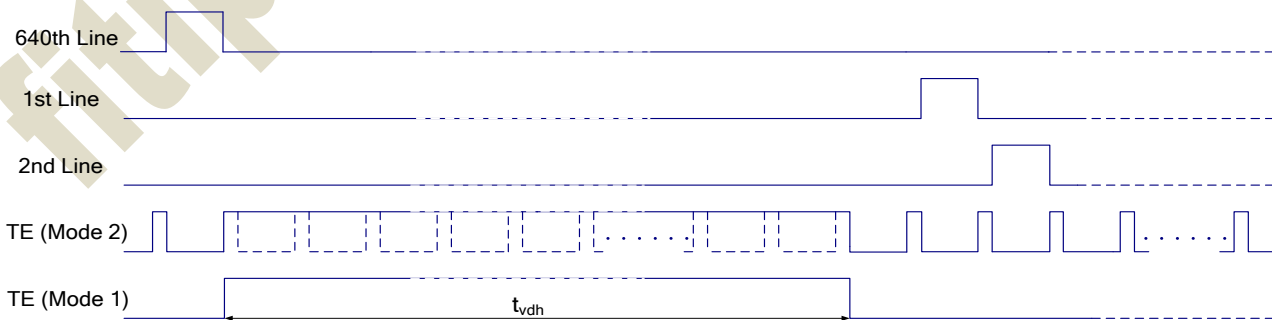
Ex: 1. TESL[15:0]=0, then TE signal will be the same as TE mode 1.

TESL[15:0]=1, then TE signal will output 1280 H-sync.

TESL[15:0]=3, then TE signal will output 1278 H-sync.



**Figure 9.4: TE Line Output for TELINE setting**



**Figure 9.5: Tearing Effect Line Output signal**

Note: During Sleep In Mode, the Tearing Output Pin is active Low

9.1.2. Tearing effect line timing

The Tearing Effect signal is described below:

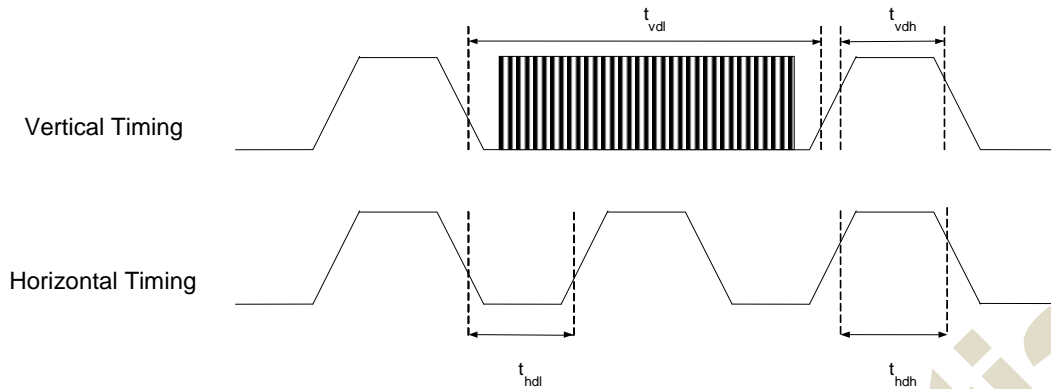


Figure 9.6: Tearing Effect Line timing

Idle Mode Off/On (Resolution 800x1280 RGB, Frame Rate = 60 Hz)

Symbol	Parameter	Min.	Max.	Unit
$t_{vdl}$	Vertical Timing Low Duration	15	-	ms
$t_{vdh}$	Vertical Timing High Duration	1000	-	us
$t_{hdl}$	Horizontal Timing Low Duration	18	-	us
$t_{hdh}$	Horizontal Timing High Duration	0.13	500	us
$t_r$	Rise time	-	15	ns
$t_f$	Fall time	-	15	Ns

Table 9.1: AC characteristics of Tearing Effect Line

The signal's rise and fall times ( $t_f$ ,  $t_r$ ) are stipulated to be equal to or less than 15ns.

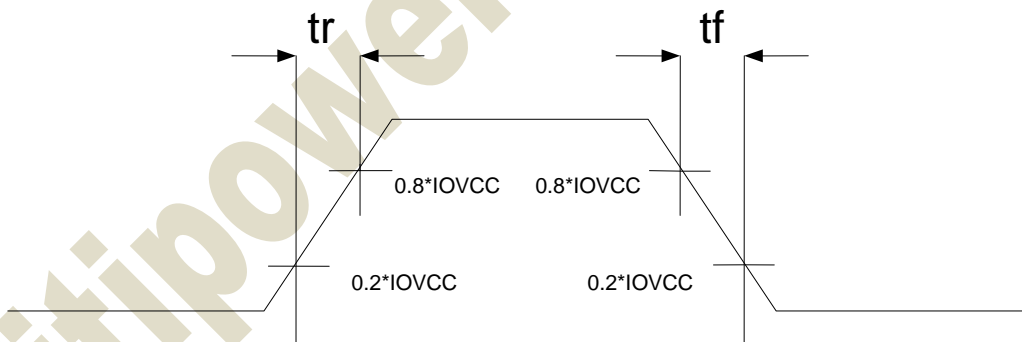


Figure 9.7: Tearing Effect Line definition of  $t_f$ ,  $t_r$

---

**9.2. Oscillator**

The JD9365D has an internal R-C oscillator. The oscillator frequency is 40MHz and tolerance is 5%. The oscillation frequency can be adjusted according to internal register setting.

fitipower Confidential

### 9.3. Output pins Characteristics

Pin name	After power on	After hardware reset	After software reset
TE, TE1	Low	Low	Low
LEDPWM	Low	Low	Low
SDO	High-Z (Inactive)	High-Z (Inactive)	High-Z (Inactive)

Table 9.2: Output and I/O pins Characteristics

fitipower Confidential

## 9.4. Self-diagnostic Functions

The display module shall support all the self-diagnostic functions in this section except those functions indicated as optional. Optional functions can be implemented in the display module at the manufacturer's discretion.

### 9.4.1. Register loading detection

The SLPOUT command (See "SLPOUT: Exit Sleep In Mode (11h)") is a trigger for the Register Loading Detection function. This function indicates if the display module correctly loaded the factory default values from Non-volatile memory to the registers. If the registers were loaded properly then bit D7 of the SDR register is inverted, otherwise the value is unchanged. See RDDSDR: Read Display Self-Diagnostic Result (0Fh) for a description of the RDDSDR register. The flow chart for the Register Loading Detection function is shown in Figure 9.8.

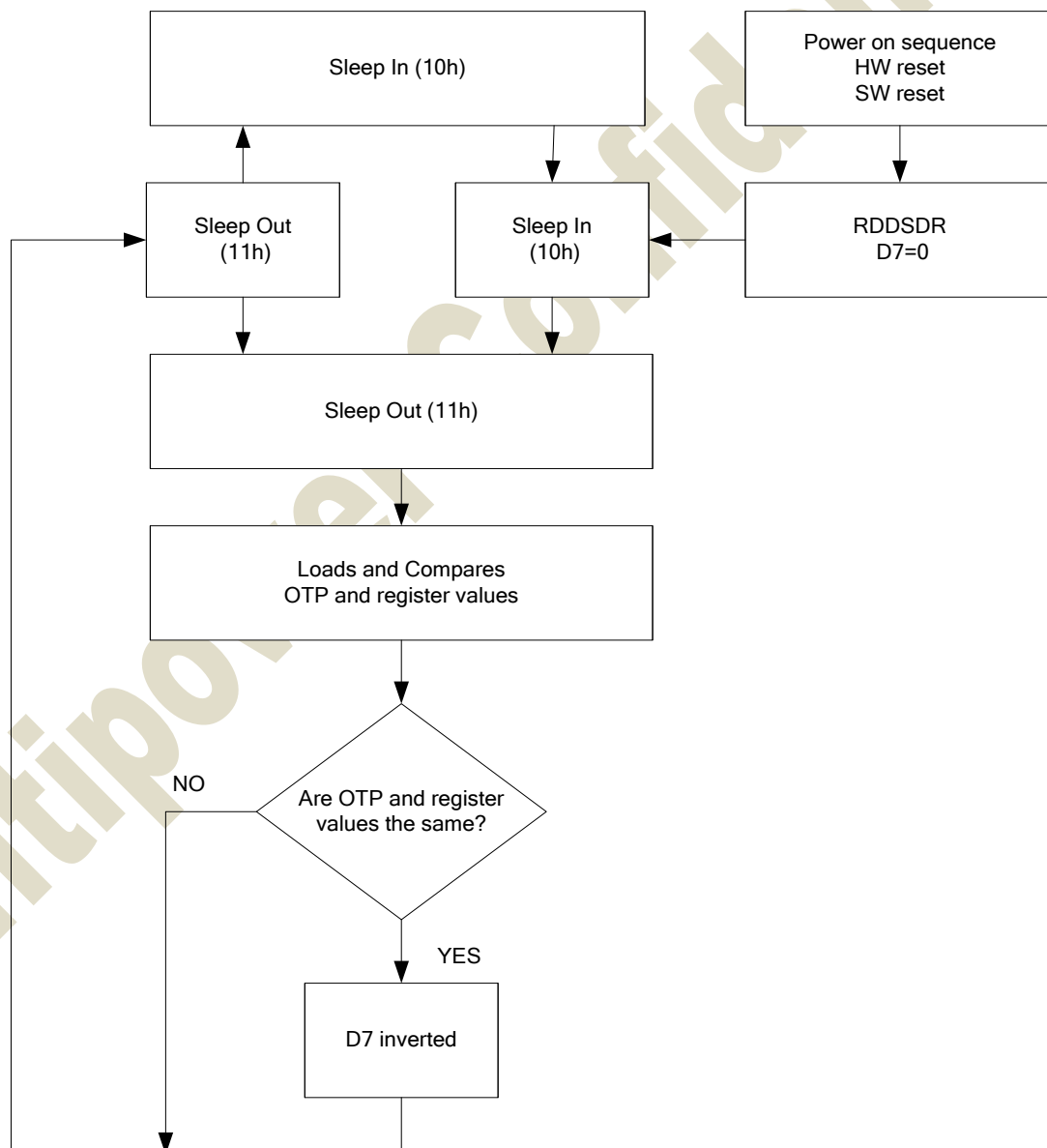
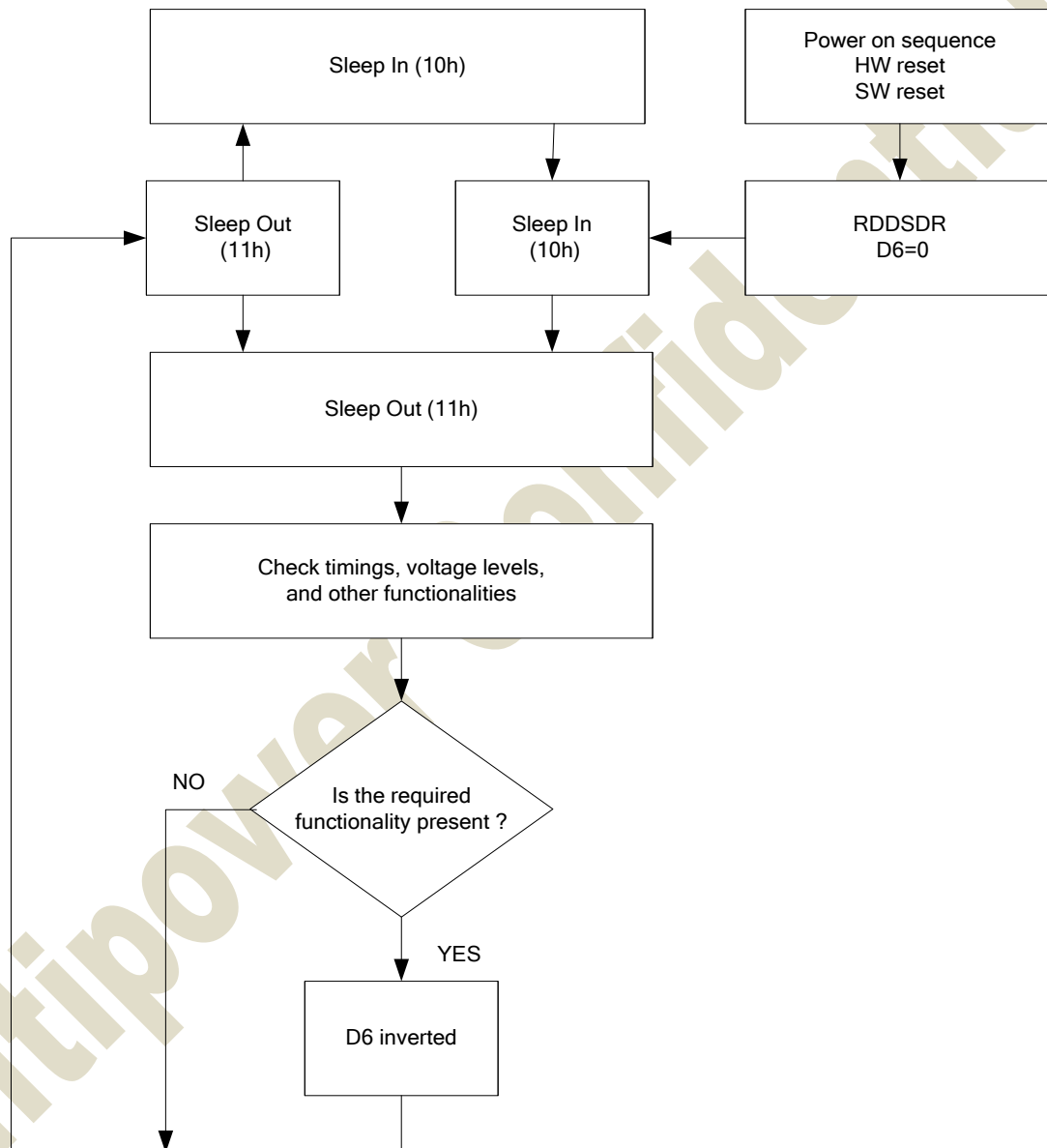


Figure 9.8: Register loading detection flow chart

### 9.4.2. Functionality Detection

The SLPOUT command (see SLPOUT: Exit Sleep In Mode (11h)) is a trigger for the Functionality Detection function. This function indicates if the display module functional blocks, e.g. power supply, clock generator, etc. are operating correctly. If the functional blocks are operating properly then bit D6 of the RDDSDR register is inverted, otherwise the value is unchanged. See RDDSDR: Read Display Self-Diagnostic Result (0Fh) for a description of the RDDSDR register. The flow chart for the Functionality Detection function is shown in Figure 9.9.



**Note:** There is needed 120msec after SLPOUT command, when there is changing from SLPIN mode to SLPOUT mode, before there is possible to check if Customer's functionality requirements are met and a value of RDDSDR's D6 is valid. Otherwise, there is 5msec delay for D6's value, when SLIPOT command is sent in SLPOUT mode.

**Figure 9.9: Functionality detection flow chart**



---

## 9.5. Power on/off sequence

### 9.5.1. General

During power off, if the display module is in the SLPOUT mode, VCI, VCIP and VCCD/IOVCC must be powered down minimum 120msec after RESX has been released.

During power off, if the display module is in the SLPIN mode, VCI, VCIP and VCCD/IOVCC can be powered down minimum 0msec after RESX has been released.

There will be no damage to the display module if the power sequences are not met. There will be no abnormal visible effects on the display panel during the Power On/Off Sequences.

There will be no abnormal visible effects on the display panel between end of Power On Sequence and before receiving SLPOUT command. Also between receiving SLPOUT command and Power Off Sequence.

If RESX line is not held stable by host during Power On Sequence as defined in Sections 9.5.2, then it will be necessary to apply a Hardware Reset (RESX) after Host Power On Sequence is complete to ensure correct operation. Otherwise function is not guaranteed.

There is not a limit for Rise/Fall time on VCI, VCIP and VCCD/IOVCC.

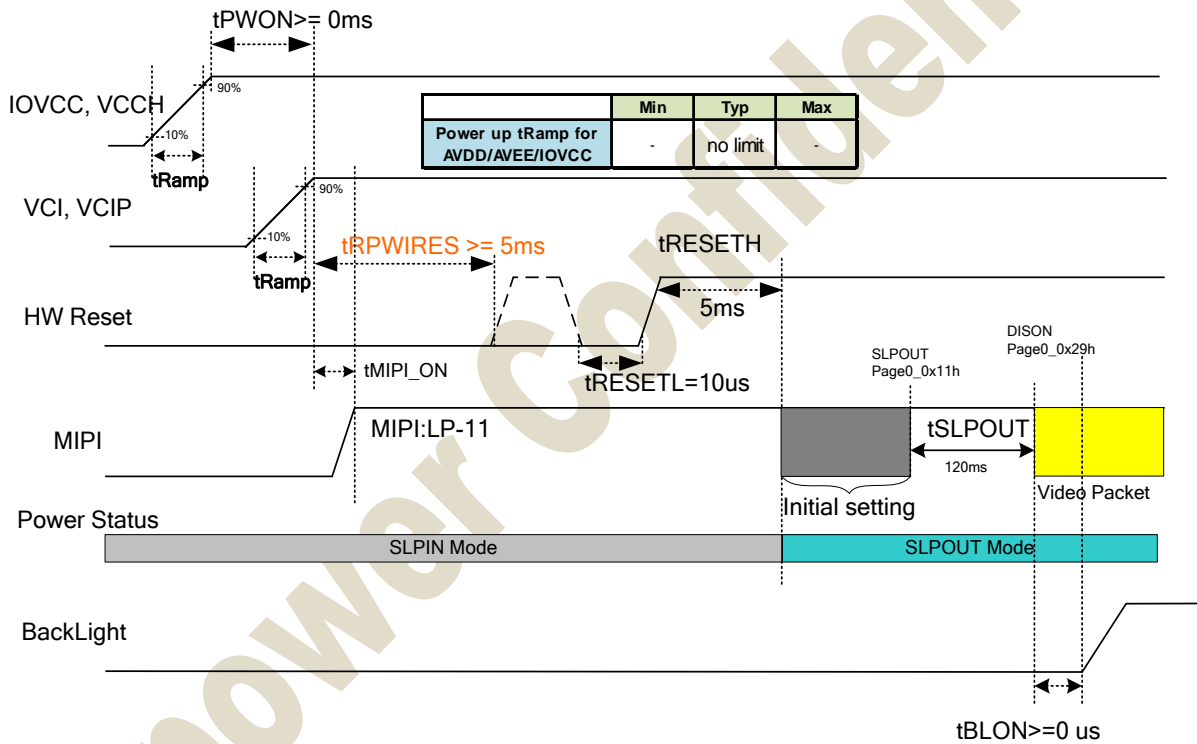
9.5.2. Power on sequence for differential power mode

Symbol	Min	Typ	Max	Unit	Remark
tRamp	-	no limit	-	us	
tPWON	0	-	-	ms	
tON1	0	-	-	ms	
tMIPI-ON	0	-	tRPWIRES	ms	
tRPWIRES	5	-	-	ms	
tRESETL	10	-	-	us	
tRESETH	5	-	-	ms	
tSLPOUT	120	-	-	ms	
tBLON	0	-	-	ms	

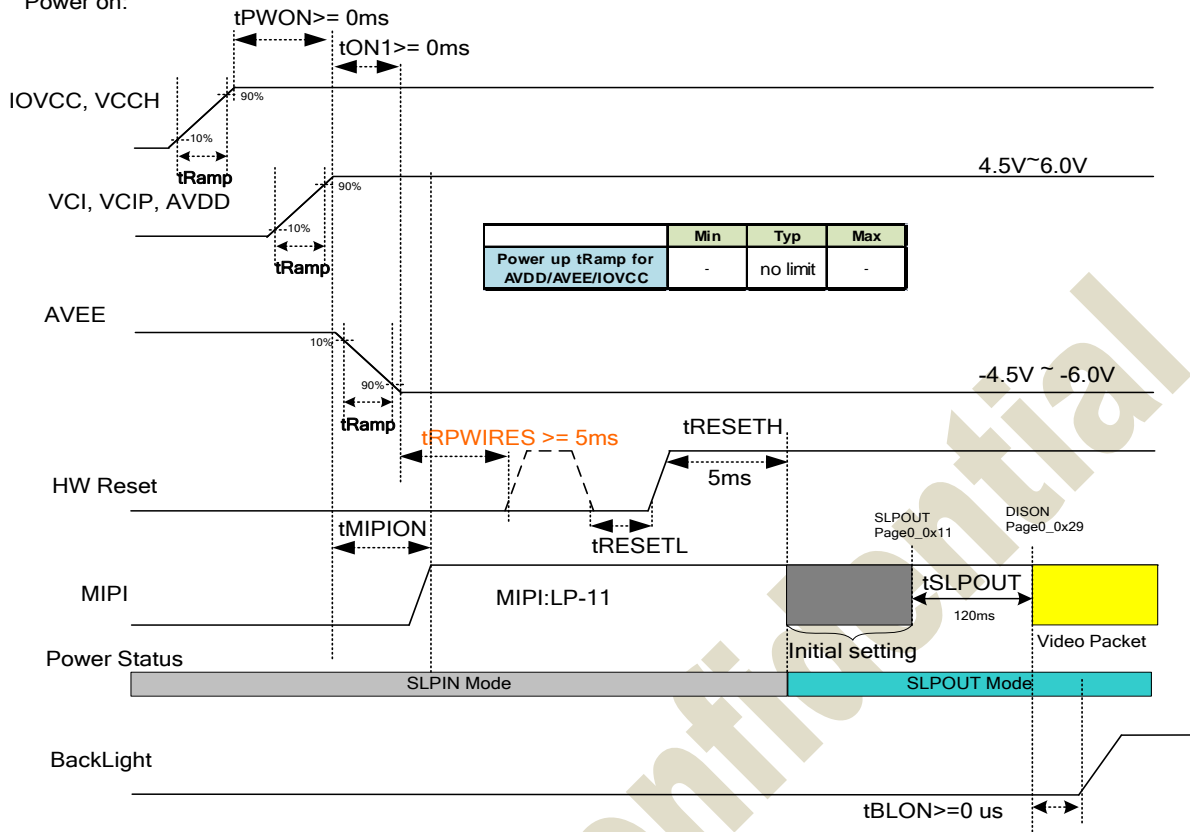
BOOSTM[1:0]=10 (Internal DC/DC power mode : PFM, Charge Pump, JD5001)

VCCD=IOVCC=VCCH=1.65V ~ 3.6V, VCI=VCIP=2.5V ~ 4.8V.

Power on:



BOOSTM[1:0]=01/11 (External AVDD/AVEE Power)  
 VCCD=IOVCC=VCCH=1.65V ~ 3.6V, AVDD=VCI=VCIP=4.5V ~ 6.0V, AVEE=-4.5V ~ -6.0V  
 Power on:



BOOSTM[1:0]=00 (External AVDD/AVEE/VGH/VGL)  
 IOVCC=VCCH=1.65V ~ 3.6V, VCI=VCIP=AVDD=4.5V ~ 6.0V, AVEE=-4.5V ~ -6.0V, VGH=7V ~ 20V, VGL=-7V ~ -15V  
 Power on:

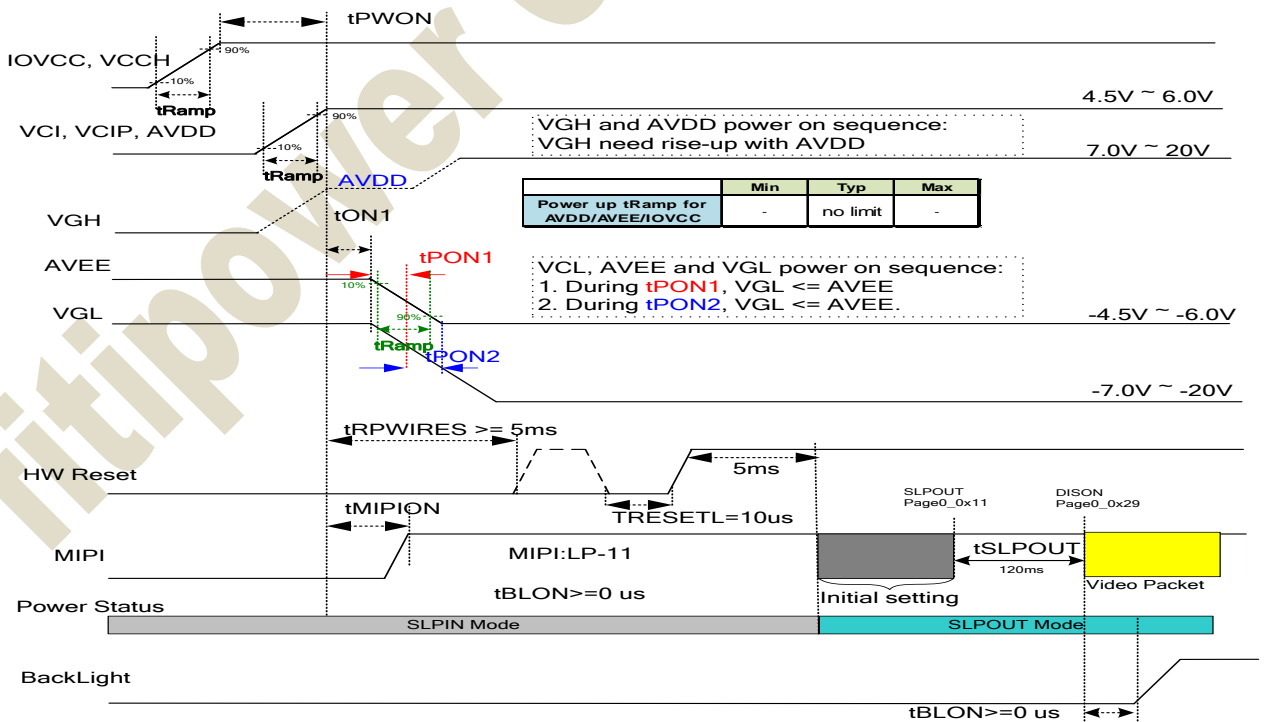


Figure 9.10: Power off sequence for differential power mode

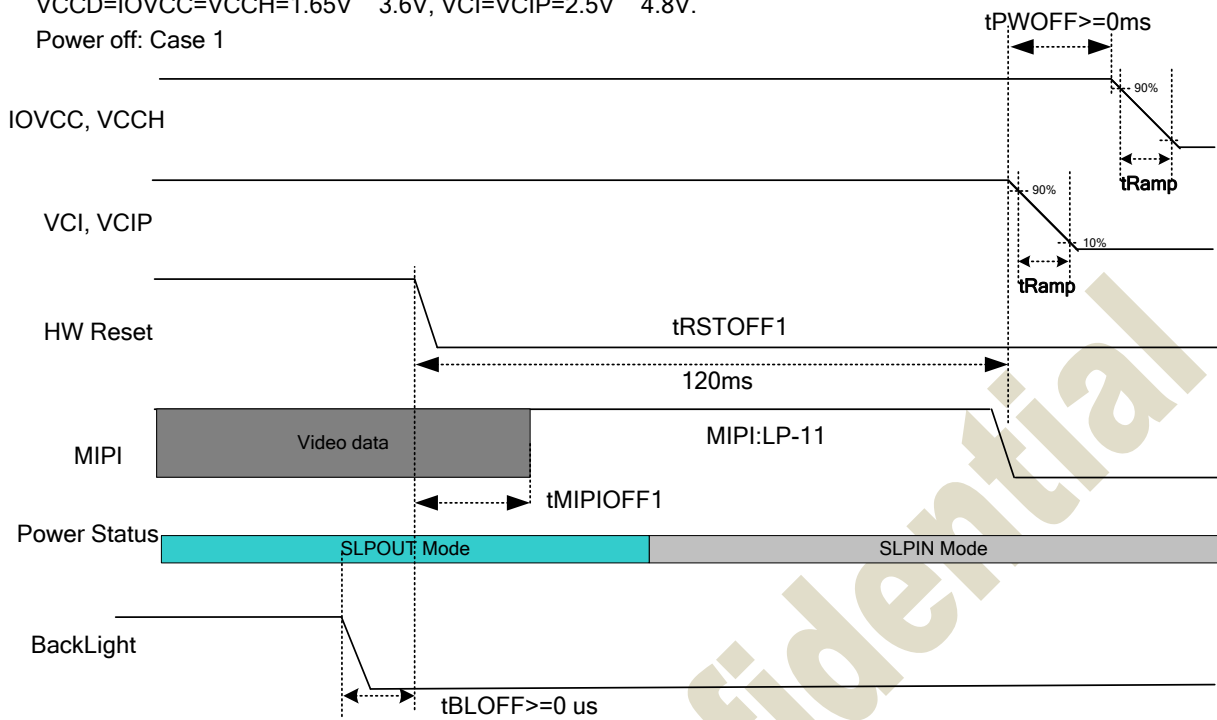
### 9.5.3. Power off sequence for differential power mode

For the power off case2, DISOFF command and tDISOFF are optional. That means t<sub>CMD\_OFF</sub> could be followed by the SLPIN command and tSLPIN , without DISOFF command and tDISOFF.

Symbol	Min	Typ	Max	Unit	Remark
tRamp	-	no limit	-	us	
tPWOFF	0	-	-	ms	
tPWOFF1	0	-	-	ms	
tPWOFF2	0	-	-	ms	
tMIPIOFF1	0	-	-	ms	power off case 1
tRSTOFF1	120	-	-	ms	power off case 1
tMIPIOFF2	0	-	-	ms	power off case 2
tRSTOFF2	0	-	-	ms	power off case 2
tCMD_OFF	1	-	-	ms	power off case 2
tDISOFF	50	-	-	ms	power off case 2
tSLPIN	100	-	-	ms	power off case 2
tBLOFF	0	-	-	ms	

BOOSTM[1:0]=10 (Internal DC/DC power mode : PFM, Charge Pump, JD5001)  
 VCCD=IOVCC=VCCH=1.65V ~ 3.6V, VCI=VCIP=2.5V ~ 4.8V.

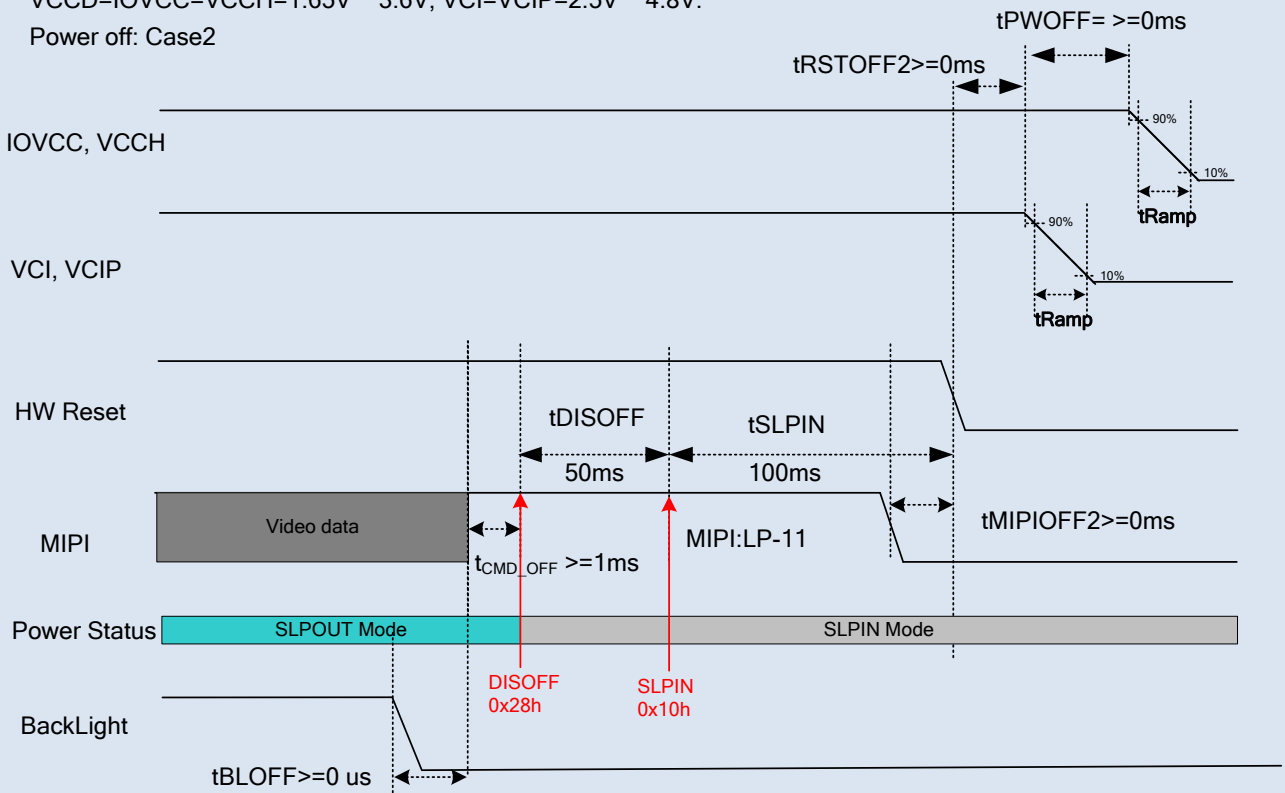
Power off: Case 1



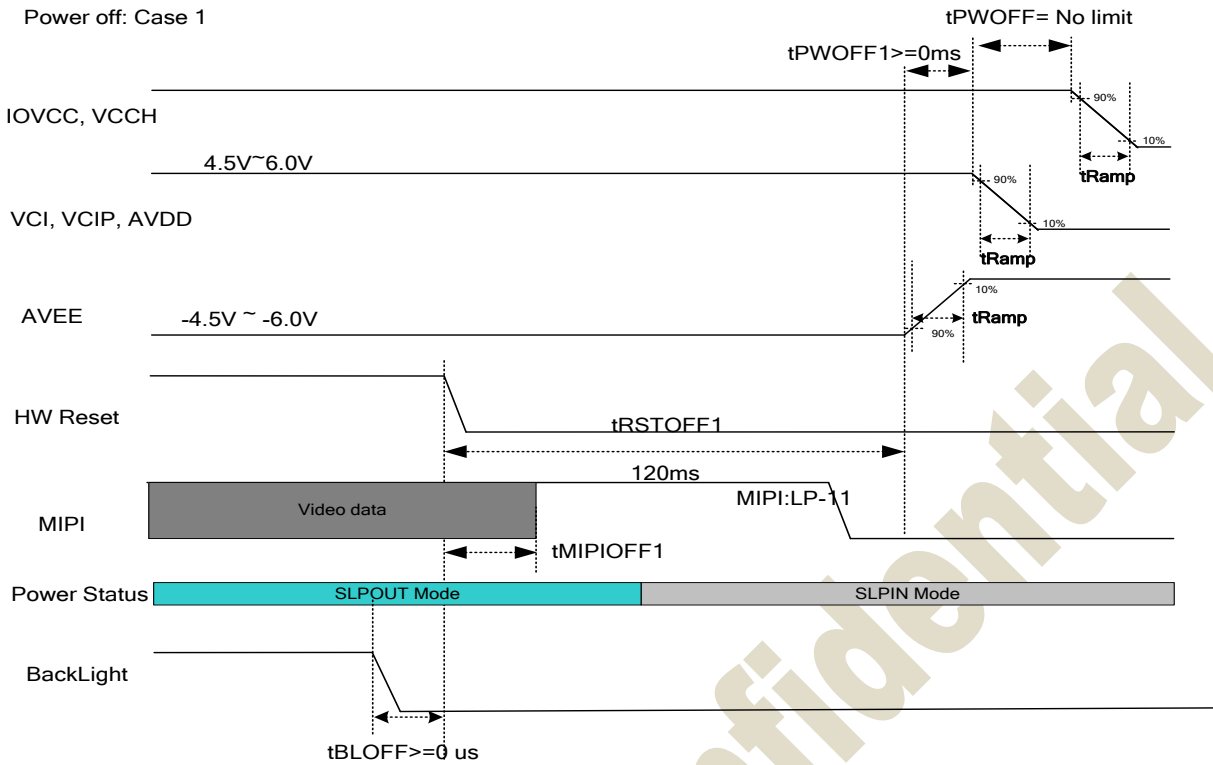
BOOSTM[1:0]=10 (Internal DC/DC power mode : PFM, Charge Pump, JD5001)

VCCD=IOVCC=VCCH=1.65V ~ 3.6V, VCI=VCIP=2.5V ~ 4.8V.

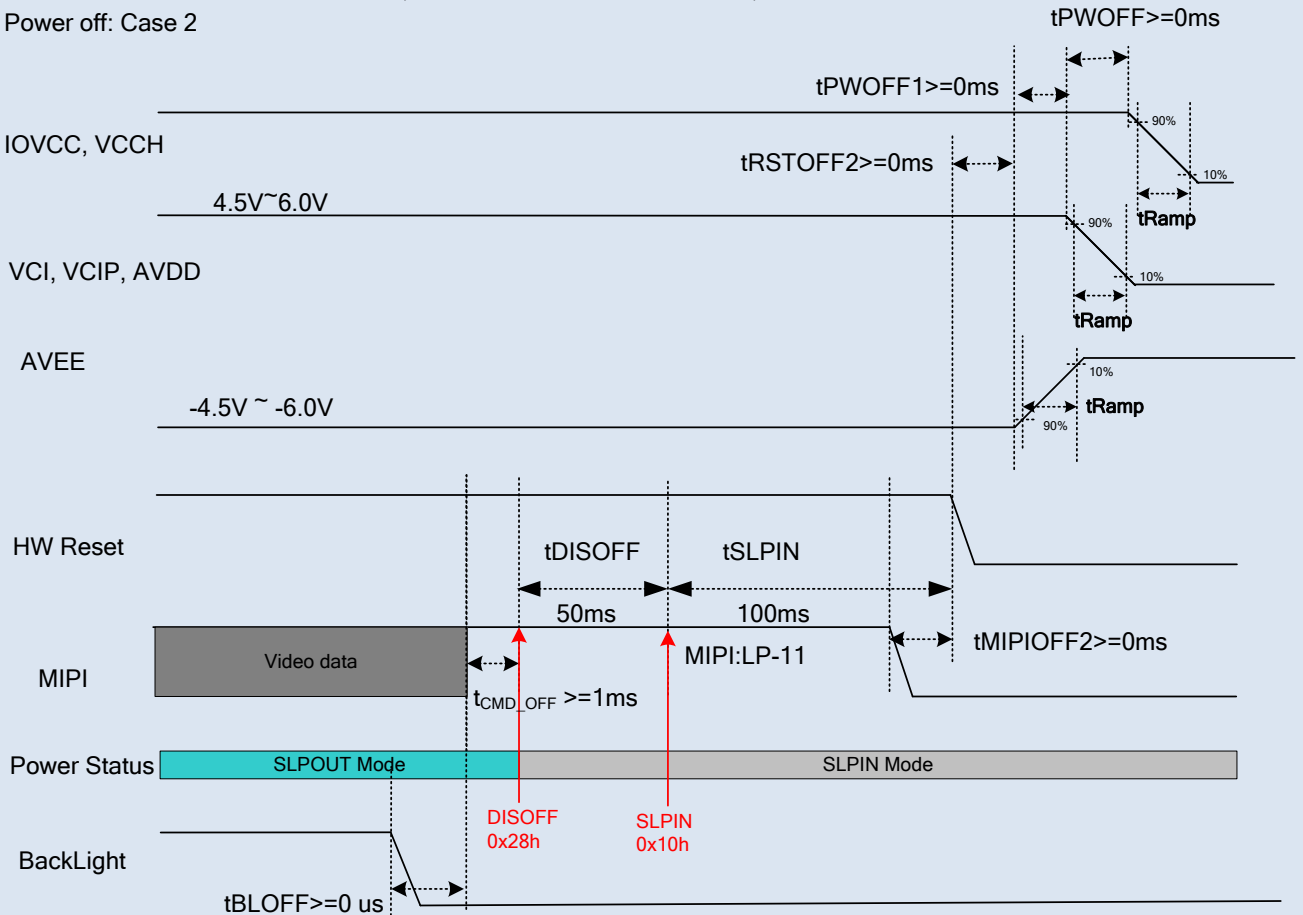
Power off: Case2



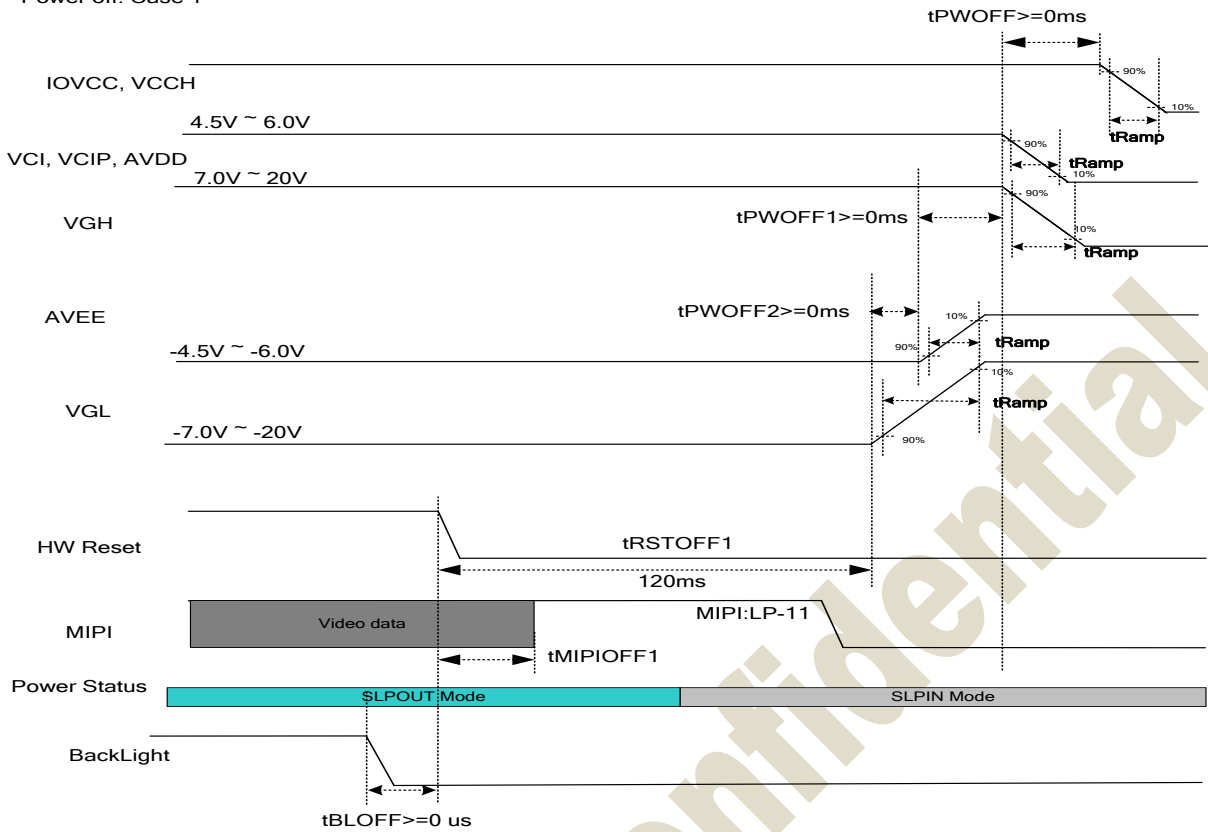
BOOSTM[1:0]=01/11 (External AVDD/AVEE Power)  
 VCCD=IOVCC=VCCH=1.65V ~ 3.6V, AVDD=VCI=VCIP=4.5V ~ 6.0V, AVEE=-4.5V ~ -6.0V  
 Power off: Case 1



BOOSTM[1:0]=01/11 (External AVDD/AVEE Power)  
 VCCD=IOVCC=VCCH=1.65V ~ 3.6V, AVDD=VCI=VCIP=4.5V ~ 6.0V, AVEE=-4.5V ~ -6.0V  
 Power off: Case 2



BOOSTM[1:0]=00 (External AVDD/AVEE/VGH/VGL)  
 IOVCC=VCCH=1.65V ~ 3.6V, VCI=VCIP=AVDD=4.5V ~ 6.0V, AVEE=-4.5V~-6.0V, VGH=7V~20V, VGL=-7V~-15V  
 Power off: Case 1



BOOSTM[1:0]=00 (External AVDD/AVEE/VGH/VGL)  
 IOVCC=VCCH=1.65V ~ 3.6V, VCI=VCIP=AVDD=4.5V ~ 6.0V, AVEE=-4.5V~-6.0V, VGH=7V~20V, VGL=-7V~-15V  
 Power off: Case 2

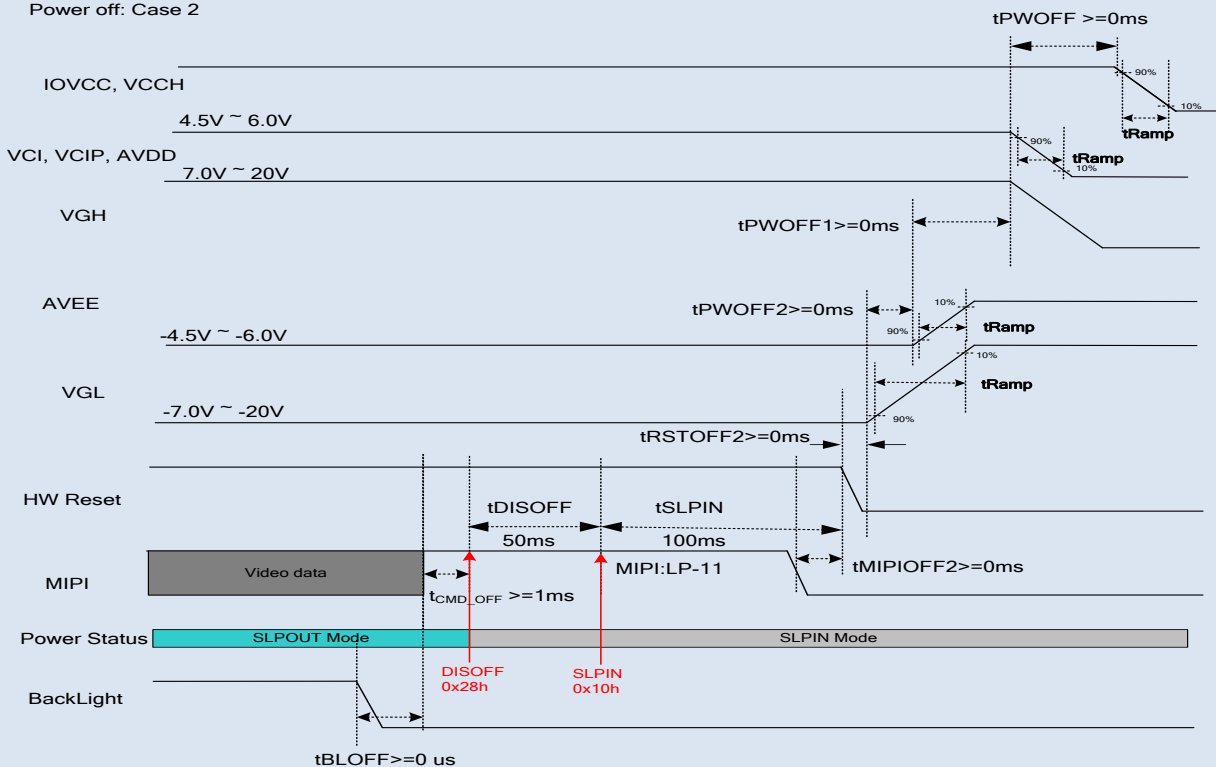
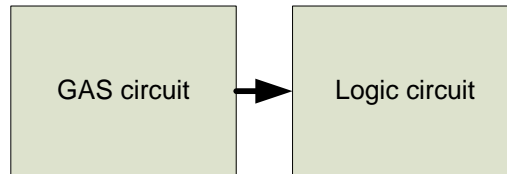


Figure 9.11: Power off sequence for differential power mode

### 9.6. Uncontrolled power off

The uncontrolled power off means a situation when e.g. there is removed a battery without the controlled power off sequence. The display module must meet following requirements:

- There cannot be any damages for the display module or the display module cannot cause any damages for the host or lines of the interface.
- There cannot be any abnormal visible effects (= display must be blank) with in 1 second on the display and remains blank until "Power On Sequence" powers it up



fitipower Confidential



## 9.7. Content adaptive brightness control (CABC) function

### 9.7.1. Definition of the CABC

A Content Adaptive Brightness Control function can be used to reduce the power consumption of the luminance source. Content adaptation means that content grey level scale can be increased while simultaneously lowering brightness of the backlight to achieve same perceived brightness. The adjusted grey level scale and thus the power consumption reduction depend on the content of the image.

This function and its four different modes can be controlled. See chapter "11.2.47 Write Content Adaptive

Brightness Control (55h)" (bits: C1 and C0) for more information.

Definition of These Four Modes and Target Power Reduction Ratio:

1. Off mode: Content Adaptive Brightness Control functionality is totally off.
2. UI [User interface] image mode: Optimized for UI image. It is kept image quality as much as possible. Target power consumption reduction ratio: 10% or less
3. Still picture mode: Optimized for still picture. Some image quality degradation would be acceptable. Target power consumption reduction ratio: more than 30%
4. Moving image mode: Optimized for moving image e.g. Video clip. It is focused on the biggest power reduction with image quality degradation. Target power consumption reduction ratio: more than 30% Limits of image degradation are needed to agree with Nokia and module supplier. Nokia provides test images to the module supplier.

Notes:

1. Partial area updating of the image data is supported by the CABC function.
2. Power consumption of the CABC processing is minimized.

### 9.7.2. Transition Time of the CABC

Content Adaptive Brightness Control (CABC) is a dimming function where two different dimming functions are implemented in the ABC system:

- Image content based dimming function
- Manual Setting based dimming function

Both functions have to combine without any abnormal visible effect, e.g. flicker problem.

The transition time for dimming function is illustrated below.

- Image content based dimming function

Display brightness is changed, according to the image contents. The following graph mentions the case of displaying three different images.

- Image A: -20% brightness reduction
- Image B: -30% brightness reduction
- Image C: -10% brightness reduction

Transition time from the previous image to the current displayed image is “Transition time A”. “Transition time A” is not specified in this specification because it is depending on CABC algorithm, which is defined by the display module supplier.

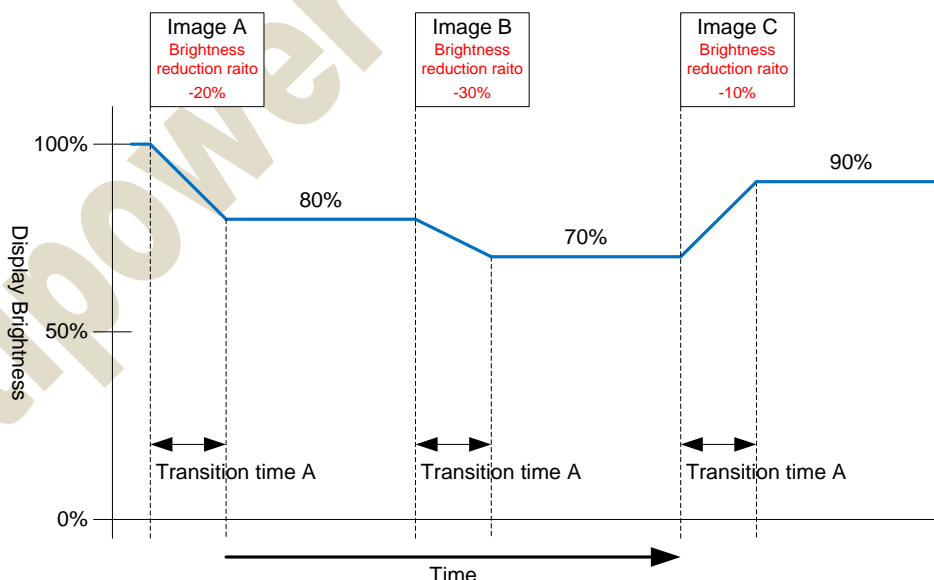
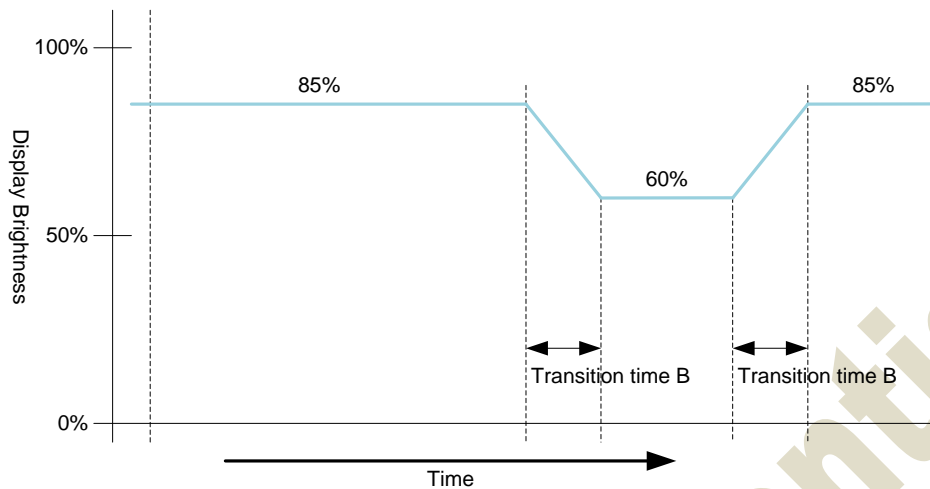


Figure 9.12: Transition Time on Content Adaptive Brightness Control

- Manual Setting based dimming function

Transition time from the previous display brightness to the current display brightness is “Transition time B”.



**Figure 9.13: Transition Time on Manual Setting**

- Combined display brightness

Green line in the following graph is for the output brightness of display. It is combined with both display brightness, which are defined in the above graphs.

Maximum transition time is transition time A + B.

The brightness level of the display is calculated with the following formula.

Display Output Brightness = Manual Setting \* CABR Brightness Ratio.

Case	Brightness	Brightness ratio	Display Output brightness
Case 1	85%	80%	68%
Case 2	60%	70%	42%
Case 3	85%	90%	76.5%

**Table 9.3: Display Output Brightness Calculations**

Notes:

1. “Transition Time A” is based on CABR algorithm.
2. “Transition Time B” is controlled by bit DD of “11.2.45 Write CTRL Display (53h)” command.
3. The worst case transition time (A+B) is from a current to target brightness

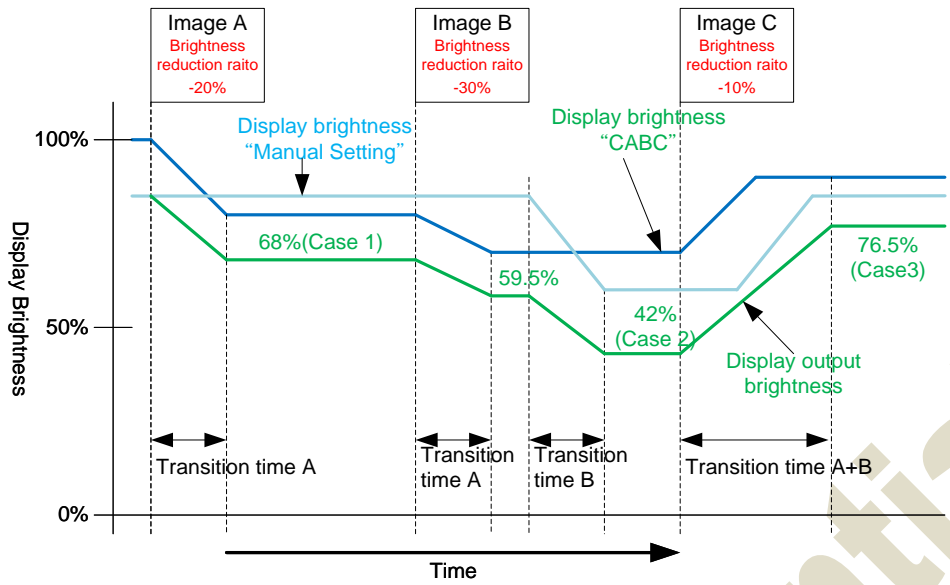


Figure 9.14: Transition Time on Combined Display Brightness

fitipower Confidential

### 9.7.3. Minimum brightness setting of CABC function

CABC function is automatically reduced backlight brightness based on image contents. In the case of the combination with manual brightness setting, display brightness is too dark. It must affect to image quality degradation. CABC minimum brightness setting is to avoid too much brightness reduction. When CABC is active, CABC cannot reduce the display brightness to less than CABC minimum brightness setting. If CABC algorithm works without any abnormal visual effect, image processing function can operate even when the brightness cannot be changed.

When display brightness is turned off (BCTRL=0 of “11.2.45 Write CTRL Display (53h)”), CABC minimum brightness setting is ignored. “11.2.50 Read CABC Minimum Brightness (5Fh)” always read the setting value of “11.2.49 Write CABC Minimum Brightness (5Eh)”.

Example:

CABC minimum brightness value = 51d (33h: 20% display brightness)

Case	A	B	C	Real Display Output Brightness
	Brightness (Manual Setting)	Brightness Ratio (CABC)	Calculation Result: Display Output Brightness Value	
Case 1	50%	70%	35%	35%
Case 2	20%	70%	14%	20%
Case 3	50%	70%	35%	35%

Table 9.4: Minimum Brightness Setting of the CABC Function - Example

## 10. Command

### 10.1. Command List

#### 10.1.1. Standard command

Address	Operation code	R/W	D7	D6	D5	D4	D3	D2	D1	D0	Function	
00	NOP	W	0	0	0	0	0	0	0	0	No Operation	
01	SWRESET	W	0	0	0	0	0	0	0	1	Software Reset	
04	RDDIDIF	W	0	0	0	0	0	1	0	0	Read Display Identification Information	
		R	ID1[7:0]									
		R	ID2[7:0]									
05	RDNUMPE	W	0	0	0	0	0	1	0	1	Read Number of DSI Parity Error	
		R	P[7:0]									
06	RDRED	W	0	0	0	0	0	1	1	0	Read Red Color	
		R	R[7:0]									
07	RDGREEN	W	0	0	0	0	0	1	1	1	Read Green Color	
		R	G[7:0]									
08	RDBLUE	W	0	0	0	0	1	0	0	0	Read Blue Color	
		R	B[7:0]									
09	RDDST	W	0	0	0	0	1	0	0	1	Read Display Status	
		R	D[31:24]									
		R	D[23:16]									
		R	D[15:8]									
0A	RDDPDM	W	0	0	0	0	1	0	1	0	Read display power mode	
		R	D7	D6	D5	D4	D3	D2	0	0		
0B	RDDMADCTL	W	0	0	0	0	1	0	1	1	Read display MADCTL	
		R	D7	D6	D5	D4	D3	D2	D1	D0		
0C	RDDCOLMOD	W	0	0	0	0	1	1	0	0	Read display pixel format	
		R	0	D6	D5	D4	0	D2	D1	D0		
0D	RDDIM	W	0	0	0	0	1	1	0	1	Read display image mode	
		R	D7	D6	D5	D4	D3	D2	D1	D0		
0E	RDDSM	W	0	0	0	0	1	1	1	0	Read display signal mode	
		R	D7	D6	D5	D4	D3	D2	D1	D0		
0F	RDDSDR	W	0	0	0	0	1	1	1	1	Read display self-diagnostic result	
		R	D7	D6	D5	D4	0	0	0	0		
10	SLPIN	W	0	0	0	1	0	0	0	0	Sleep In	
11	SLPOUT	R	0	0	0	1	0	0	0	1	Sleep Out	
13	NORON	W	0	0	0	1	0	0	1	1	Normal display mode on	
20	INVOFF	W	0	0	1	0	0	0	0	0	Display inversion off	
21	INVON	W	0	0	1	0	0	0	0	1	Display inversion on	
22	ALLPOFF	W	0	0	1	0	0	0	1	0	All Pixel Off	
23	ALLPON	W	0	0	1	0	0	0	1	1	All Pixel On	

26	GAMSET	W	0	0	1	0	0	1	1	0	Gamma set-	
		W	CG[7:0]									
28	DISPOFF	W	0	0	1	0	1	0	0	0	Display off	
29	DISPON	W	0	0	1	0	1	0	0	1	Display on	
34	TEOFF	W	0	0	1	1	0	1	0	0	Tearing Effect Line OFF	
35	TEON	W	0	0	1	1	0	1	0	1	Tearing Effect Line ON	
		W	X	X	X	X	X	X	X	M		
36	MADCTL	W	0	0	1	1	0	1	1	0	Memory Access Control	
		W	B7	B6	B5	B4	B3	B2	X	X		
38	IDMOFF	W	0	0	1	1	1	0	0	0	Idle mode off	
39	IDMON	W	0	0	1	1	1	0	0	1	Idle mode on	
3A	COLMOD	W	0	0	1	1	1	0	1	0	Interface Pixel Format	
		W	X	D6	D5	D4	X	D2	D1	D0		
44	TESL	W	0	1	0	0	0	1	0	0	Set Tear Effect Scan Lines	
		W	TELINE[15:8]									
		W	TELINE[7:0]									
45	GETSCAN	W	0	1	0	0	0	1	0	1	Return the current scanline	
		R	SLN[15:8]									
		R	SLN[7:0]									
51	WRDISBV	W	0	1	0	1	0	0	0	1	Write Display Brightness	
		W	DBV[7:0]									
52	RDISBV	W	0	1	0	1	0	0	1	0	Read Display Brightness	
		R	DBV[7:0]									
53	WRCTRLD	W	0	1	0	1	0	0	1	1	Write CTRL Display	
		W	X	X	BCTRL	X	DD	BL	X	X		
54	RDCTRLD	W	0	1	0	1	0	0	1	1	Read Control Value	
		R	0	0	BCTRL	0	DD	BL	0	0	Display-	
55	WRCABC	W	0	1	0	1	0	1	0	1	Write Adaptive Brightness	
		W	IEC[3:0]					X	X	CABC[1:0]		Control
56	RDCABC	W	0	1	0	1	0	1	1	0	Read Adaptive Brightness	
		R	IEC[3:0]					0	0	CABC[1:0]		Control Content
5E	WRCABCMB	W	0	1	0	1	1	1	1	0	Write CABC minimum	
		W	CMB[7:0]									
5F	RDCABCMB	W	0	1	0	1	1	1	1	1	Read CABC minimum	
		R	CMB[7:0]									
68	RDABCSDR	W	0	1	1	0	1	0	0	0	Read ABC Self-Diagnostic	
		R	D[7:6]			0	0	0	0	0	0	Result
DA	RDID1	W	1	1	0	1	1	0	1	0	Read ID1	
		R	module's manufacturer[7:0]									
DB	RDID2	W	1	1	0	1	1	0	1	1	Read ID2	
		R	LCD module/driver version [7:0]									
DC	RDID3	W	1	1	0	1	1	1	0	0	Read ID3	
		R	LCD module/driver ID[7:0]									

A1	RDDDB	W	1	0	1	0	0	0	0	1	Read the DDB from the provided location.
		R	x	x	x	x	x	x	x	x	
		R	x	x	x	x	x	x	x	x	
A8	RDDDBCON	W	1	0	1	0	1	0	0	0	Continue reading the DDB from the last read location.
		R	x	x	x	x	x	x	x	x	
		R	x	x	x	x	x	x	x	x	
AA	RDFCS	W	1	0	1	0	1	0	1	0	Read First Checksum
		R	FCS[7:0]								
AF	RDCCS	W	1	0	1	0	1	1	1	1	Read Continue Checksum
		R	CCS[7:0]								

Table 10.1: Standard command list

fitipower Confidential



## 10.1.2. Standard Command Accessibility

Hex Code	Operation code	Normal Mode On, Idle Mode Off, Sleep Mode Off	Normal Mode On, Idle Mode On, Sleep Mode Off	Partial Mode On, Idle Mode Off, Sleep Mode Off	Partial Mode On, Idle Mode On, Sleep Mode Off	Sleep Mode On
00	NOP	Yes	Yes	Yes	Yes	Yes
01	SWRESET	Yes	Yes	Yes	Yes	Yes
04	RDDIDIF	Yes	Yes	Yes	Yes	Yes
05	RDDNUMPE	Yes	Yes	N/A	N/A	Yes
06	RDRED	Yes	Yes	N/A	N/A	Yes
07	RDGREEN	Yes	Yes	N/A	N/A	Yes
08	RDBLUE	Yes	Yes	N/A	N/A	Yes
09	RDDST	Yes	Yes	N/A	N/A	Yes
0A	RDDPM	Yes	Yes	Yes	Yes	Yes
0B	RDDMADCTL	Yes	Yes	Yes	Yes	Yes
0C	RDDCOLMOD	Yes	Yes	Yes	Yes	Yes
0D	RDDIM	Yes	Yes	Yes	Yes	Yes
0E	RDDSM	Yes	Yes	Yes	Yes	Yes
0F	RDDSDR	Yes	Yes	Yes	Yes	Yes
10	SLPIN	Yes	Yes	Yes	Yes	Yes
11	SLPOUT	Yes	Yes	Yes	Yes	Yes
13	NORON	Yes	Yes	Yes	Yes	Yes
20	INVOFF	Yes	Yes	Yes	Yes	Yes
21	INVON	Yes	Yes	Yes	Yes	Yes
22	ALLPOFF	Yes	Yes	N/A	N/A	Yes
23	ALLPON	Yes	Yes	N/A	N/A	Yes
26	GAMSET	Yes	Yes	Yes	Yes	Yes
28	DISPOFF	Yes	Yes	Yes	Yes	Yes
29	DISPON	Yes	Yes	Yes	Yes	Yes
34	TEOFF	Yes	Yes	Yes	Yes	Yes
35	TEON	Yes	Yes	Yes	Yes	Yes
36	MADCTL	Yes	Yes	Yes	Yes	Yes
38	IDMOFF	Yes	Yes	Yes	Yes	Yes
39	IDMON	Yes	Yes	Yes	Yes	Yes
3A	COLMOD	Yes	Yes	Yes	Yes	Yes
44	TESL	Yes	Yes	Yes	Yes	Yes
45	GETSCAN	Yes	Yes	Yes	Yes	Yes
51	WRDISBV	Yes	Yes	Yes	Yes	Yes
52	RDDISBV	Yes	Yes	Yes	Yes	Yes
53	WRCTRLD	Yes	Yes	Yes	Yes	Yes
54	RDCTRLD	Yes	Yes	Yes	Yes	Yes
55	WRCABC	Yes	Yes	Yes	Yes	Yes
56	RDCABC	Yes	Yes	Yes	Yes	Yes
5E	WRCABCMB	Yes	Yes	Yes	Yes	Yes
5F	RDCABCMB	Yes	Yes	Yes	Yes	Yes
DA	RDID1	Yes	Yes	Yes	Yes	Yes
DB	RDID2	Yes	Yes	Yes	Yes	Yes
DC	RDID3	Yes	Yes	Yes	Yes	Yes
A1	RDDDB	Yes	Yes	Yes	Yes	Yes
A8	RDDDBCON	Yes	Yes	Yes	Yes	Yes
AA	RDFCS	Yes	Yes	Yes	Yes	Yes
AF	RDCCS	Yes	Yes	Yes	Yes	Yes

Table 10.2: Standard Command Accessibility

## 10.1.3. Standard Command Default Modes and Values

Hex Code	Operation code	Parameters	Power-on Sequence	SW Reset	HW Reset
00	NOP	None	N/A	N/A	N/A
01	SWRESET	None	N/A	N/A	N/A
04	RDDIDIF	3	OTP Value	OTP Value	OTP Value
05	RDNUMPE	1	00h	00h	00h
06	RDRED	1	00h	00h	00h
07	RDGREEN	1	00h	00h	00h
08	RDBLUE	1	00h	00h	00h
09	RDDST	1	Refer to corresponding command parameters	Refer to corresponding command parameters	Refer to corresponding command parameters
0A	RDDPM	1	08h	08h	08h
0B	RDDMADCTL	1	00h	Refer to corresponding command parameters	00h
0C	RDDCOLMOD	1	07h	07h	07h
0D	RDDIM	1	00h	00h	00h
0E	RDDSM	1	00h	00h	00h
0F	RDDSDR	1	00h	00h	00h
10	SLPIN	None	Sleep In Mode	Sleep In Mode	Sleep In Mode
11	SLPOUT	None	Sleep In Mode	Sleep In Mode	Sleep In Mode
13	NORON	None	Normal Display mode On	Normal Display mode On	Normal Display mode On
20	INVOFF	None	Display Inversion Off	Display Inversion Off	Display Inversion Off
21	INVON	None	Display Inversion Off	Display Inversion Off	Display Inversion Off
22	ALLPOFF	None	All Pixel Off	All Pixel Off	All Pixel Off
23	ALLPON	None	All Pixel Off	All Pixel Off	All Pixel Off
26	GAMSET	1	01h	01h	01h
28	DISPOFF	None	Display Off	Display Off	Display Off
29	DISPON	None	Display Off	Display Off	Display Off
34	TEOFF	None	TE Off	TE Off	TE Off
35	TEON	1	TE Off	TE Off	TE Off
36	MADCTL	1	00h	No Change	00h
37	VSCRSADD	2	0000h	0000h	0000h
38	IDMOFF	None	Idle Mode Off	Idle Mode Off	Idle Mode Off
39	IDMON	None	Idle Mode Off	Idle Mode Off	Idle Mode Off
3A	COLMOD	1	07h	No Change	07h
44	TESL	2	0000h	0000h	0000h
45	GETSCAN	2	0000h	0000h	0000h
51	WRDISBV	1	00h	00h	00h
52	RDDISBV	1	00h	00h	00h
53	WRCTRLD	1	00h	00h	00h
54	RDCTRLD	1	00h	00h	00h
55	WRCABC	1	00h	00h	00h
56	RDCABC	1	00h	00h	00h
5E	WRCABCMB	1	00h	00h	00h
5F	RDCABCMB	1	00h	00h	00h
DA	RDID1	1	OTP Value	OTP Value	OTP Value
DB	RDID2	1	OTP Value	OTP Value	OTP Value
DC	RDID3	1	OTP Value	OTP Value	OTP Value
A1	RDDDB	All	OTP Value	OTP Value	OTP Value
A8	RDDDBCON	All	OTP Value	OTP Value	OTP Value
AA	RDFCS	1	00h	00h	00h
AF	RDCCS	1	00h	00h	00h

Table 10.3: Standard Command Default Modes and Value

**10.2. Command Description****10.2.1. NOP (00h)**

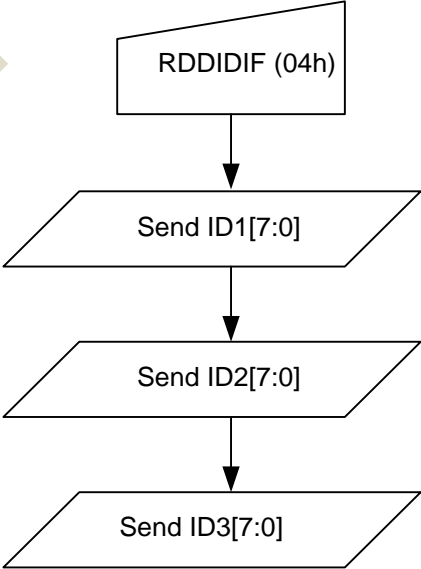
CMD/PAs	R/W	D7	D6	D5	D4	D3	D2	D1	D0	HEX
Command	<b>W</b>	0	0	0	0	0	0	0	0	00
Description	This command does not have any effect on the display module. The NOP command may be used to terminate a Frame Memory Read or Frame Memory Write.									
Restriction	-									
Flow Chart	-									

fitipower Confidential

**10.2.2.SWRESET: Software Reset (01h)**

CMD/PAs	R/W	D7	D6	D5	D4	D3	D2	D1	D0	HEX
Command	<b>W</b>	0	0	0	0	0	0	0	1	01
Description	The display module performs a software reset. Registers are written with their SW Reset default values. The Frame Memory contents are unaffected by this command									
Restriction	The host processor must wait 5 milliseconds before sending any new commands to a display module following this command. The display module updates the registers during this time. If a SWRESET is sent when the display module is in SLPIN Mode, the host processor must wait 120 milliseconds before sending an SLPOUT command. SWRESET should not be sent when the display module is not in SLPIN mode.									
Flow Chart	<pre>                     graph TD                         A[SWRESET] --&gt; B{{Blank Display}}                         B --&gt; C{{Load S/W Defaults}}                         C --&gt; D([SLPIN Mode])                     </pre>									

10.2.3.RDDIDIF: Read Display Identification Information (04h)

CMD/PAs	R/W	D7	D6	D5	D4	D3	D2	D1	D0	HEX																					
Command	W	0	0	0	0	0	1	0	0	04																					
Parameter 1	R	ID1[7:0]																													
Parameter 2	R	ID2[7:0]																													
Parameter 3	R	ID3[7:0]																													
Description	<p>This read byte returns 24-bit display identification information.</p> <p>The 1<sup>st</sup> Parameter identifies the LCD module's manufacturer. It is specified by display supplier and for xx is defined as xxHEX.</p> <p>The 2<sup>nd</sup> Parameter has 2 purposes. Bit7 (MSB) defines the type of panel. 0=Driver (STN B/W), 1=Module (Color). Bits 6~0 are used to track the LCD module/driver version. It is defined by display supplier and it changes each time a revision is made to the display, material or construction specifications. See Table:</p> <table border="1" data-bbox="646 757 1177 1088"> <thead> <tr> <th>ID Byte Value V[7:0]</th> <th>Version</th> <th>Changes</th> </tr> </thead> <tbody> <tr><td>80h</td><td></td><td></td></tr> <tr><td>81h</td><td></td><td></td></tr> <tr><td>82h</td><td></td><td></td></tr> <tr><td>83h</td><td></td><td></td></tr> <tr><td>84h</td><td></td><td></td></tr> <tr><td>85h</td><td></td><td></td></tr> </tbody> </table> <p>The 3<sup>rd</sup> parameter identifies the LCD module/driver. It is specified by display supplier and for this LCD project module is defined as xxHEX.</p>										ID Byte Value V[7:0]	Version	Changes	80h			81h			82h			83h			84h			85h		
	ID Byte Value V[7:0]	Version	Changes																												
80h																															
81h																															
82h																															
83h																															
84h																															
85h																															
Restriction	-																														
Flow Chart	 <pre> graph TD     A[RDDIDIF (04h)] --&gt; B[/Send ID1[7:0]/]     B --&gt; C[/Send ID2[7:0]/]     C --&gt; D[/Send ID3[7:0]/]     </pre>																														

10.2.4.RDNUMPE: Read number of the parity errors (05h)

CMD/PAs	R/W	D7	D6	D5	D4	D3	D2	D1	D0	HEX
Command	<b>W</b>	0	0	0	0	0	1	0	1	05
Parameter 1	<b>R</b>	P7	P6	P5	P4	P3	P2	P1	P0	
Description	<p>The first parameter is telling a number of the errors on DSI. The more detailed description of the bits is below.</p> <p>P[6:0] bits are telling a number of the errors.</p> <p>P[7] is set to '1' if there is overflow with P[6..0] bits.</p> <p>P[7:0] bits are set to '0's (as well as RDDSM(0Eh)'s D0 is set '0' at the same time) after there is sent the second parameter information (=The read function is completed).</p>									
Restriction	-									
Flow Chart	<p style="text-align: center;">DSI I/F Mode</p> <pre> graph TD     subgraph Host         A[RDNUMPE (R05h)]     end     subgraph Driver         B[/Send 1st parameter/]         C{{RDDSM (R0Eh)'s D0 = '0' P[7:0] = "00"h}}     end     A --&gt; B     B --&gt; C     </pre>									

fitipower.com/Confidential

10.2.5.REDRD: Read Red Color (06h)

CMD/PAs	R/W	D15-D8	D7	D6	D5	D4	D3	D2	D1	D0	HEX
Command	<b>W</b>	-	0	0	0	0	0	1	1	0	06
Parameter 1	<b>R</b>	-	R7	R6	R5	R4	R3	R2	R1	R0	
Description	<p>The first parameter is telling red color value of the first pixel of the frame when there is used DPI I/F.</p> <p>16 bit format: R5 is MSB and R1 is LSB. R7, R6 and R0 are set to '0'.</p> <p>18 bit format: R5 is MSB and R0 is LSB. R7 and R6 are set to '0'.</p> <p>24 bit format: R7 is MSB and R0 is LSB. All bits are used.</p>										
Restriction	-										
Flow Chart	<pre> graph TD     subgraph Host         A[RDREAD(06h)]     end     subgraph Driver         B[/Send D[7:0]/]     end     A --&gt; B     </pre> <p>The flow chart illustrates the communication between a Host and a Driver. A dashed horizontal line separates the Host (top) from the Driver (bottom). In the Host section, a rectangular box contains the command 'RDREAD(06h)'. An arrow points from this box down to a parallelogram-shaped box in the Driver section labeled 'Send D[7:0]'. The labels 'Host' and 'Driver' are positioned to the right of the dashed line.</p>										

fitipower Confidential

**10.2.6.REDGREEN: Read Green Color (07h)**

CMD/PAs	R/W	D7	D6	D5	D4	D3	D2	D1	D0	HEX
Command	<b>W</b>	0	0	0	0	0	1	1	1	07
Parameter 1	<b>R</b>	G7	G6	G5	G4	G3	G2	G1	G0	
Description	<p>The first parameter is telling green color value of the first pixel of the frame when there is used DPI I/F.</p> <p>16 bit format: G5 is MSB and G0 is LSB. G7 and G6 are set to '0'.</p> <p>18 bit format: G5 is MSB and G0 is LSB. G7 and G6 are set to '0'.</p> <p>24 bit format: G7 is MSB and G0 is LSB. All bits are used.</p>									
Restriction	-									
Flow Chart	<pre> graph TD     subgraph Host         A[RDGREEN (07h)]     end     subgraph Driver         B[/Send D[7:0]/]     end     A --&gt; B             </pre> <p>The flow chart illustrates the command sequence. A box labeled 'RDGREEN (07h)' is positioned above a dashed horizontal line representing the interface. An arrow points from this box down to a parallelogram labeled 'Send D[7:0]' located below the dashed line. The area above the dashed line is labeled 'Host' and the area below is labeled 'Driver'.</p>									

fitipower Confidential



10.2.7.REDBLUE: Read Blue Color (08h)

CMD/PAs	R/W	D7	D6	D5	D4	D3	D2	D1	D0	HEX
Command	<b>W</b>	0	0	0	0	1	0	0	0	08
Parameter 1	<b>R</b>	B7	B6	B5	B4	B3	B2	B1	B0	
Description	<p>The first parameter is telling blue color value of the first pixel of the frame when there is used DPI I/F.</p> <p>16 bit format: B5 is MSB and B1 is LSB. B7, B6 and B0 are set to '0'.</p> <p>18 bit format: B5 is MSB and B0 is LSB. B7 and B6 are set to '0'.</p> <p>24 bit format: B7 is MSB and B0 is LSB. All bits are used.</p>									
Restriction	-									
Flow Chart	<pre> graph TD     subgraph Host         A[RDBLUE (08h)]     end     subgraph Driver         B[/Send D[7:0]/]     end     A --&gt; B             </pre> <p>The flow chart illustrates the command sequence. A box labeled 'RDBLUE (08h)' is positioned above a dashed horizontal line representing the interface. An arrow points from this box down to a parallelogram box labeled 'Send D[7:0]' located below the dashed line. The area above the line is labeled 'Host' and the area below is labeled 'Driver'.</p>									

fitipower Confidential

## 10.2.8.RDDST: Read Display Status (09h)

CMD/PAs	R/W	D7	D6	D5	D4	D3	D2	D1	D0	HEX
Command	W	0	0	0	0	1	0	0	1	09
Parameter 1	R	D[31:24]								
Parameter 2	R	D[23:16]								
Parameter 3	R	D[15:8]								
Parameter 4	R	D[7:0]								
Description	This command indicates the current status of the display as described in the table below:									
	Bit	Description	Value							
	D31	Booster Voltage Status	'0' = Booster Off. '1' = Booster On.							
	D30	Page Address Order	'0' = Top to Bottom (MADCTL B7='0'). '1' = Bottom to Top (MADCTL B7='1').							
	D29	Column Address Order	'0' = Left to Right (MADCTL B6='0'). '1' = Right to Left (MADCTL B6='1')							
	D28	Page/Column Order	'0' = Normal (MADCTL B5='0'). '1' = Rotation (MADCTL B5='1').							
	D27	Display Device Line Refresh Order	'0' = Refresh Top to Bottom (MADCTL B4='0'). '1' = Refresh Bottom to Top (MADCTL B4='1').							
	D26	RGB/BGR Order	'0' = RGB (MADCTL B3='0'). '1' = BGR (MADCTL B3='1').							
	D25	Display Data Latch Data Order	'0' = Refresh Left to Right (MADCTL B2='0'). '1' = Refresh Right to Left (MADCTL B2='1').							
	D24	Source san sequence	'0' = Source output Left to Right (MADCTL B1='0'). '1' = Source output Right to Left (MADCTL B1='1')							
	D23	Gate san sequence	'0' = Gate output Top to Bottom (MADCTL B0='0'). '1' = Gate output Bottom to Top (MADCTL B0='1')							
	D22	Interface Colo Pixel Format Definition	Interface Format	D22	D21	D20				
	D21		Not Defined	0	0	0				
			Not Defined	0	0	1				
			Not Defined	0	1	0				
			Not Defined	0	1	1				
			Not Defined	1	0	0				
			16 Bit/Pixel	1	0	1				
	D20	18 Bit/Pixel	1	1	0					
		24 Bit/Pixel	1	1	1					
	D19	Idle Mode On/Off	'0' = Idle Mode Off. '1' = Idle Mode On.							
	D18	Partial Mode On/Off	'0' = Partial Mode Off, '1' = Partial Mode On.							
	D17	Sleep In/Out	'0' = Sleep In Mode. '1' = Sleep Out Mode.							
	D16	Display Normal Mode On/Off	'0' = Partial or Scrolling Mode. '1' = Normal Mode.							
	D15	Vertical Scrolling Status	'0' = Vertical Scrolling is Off. '1' = Vertical Scrolling is On.							
	D14	Horizontal Scrolling Status	This bit is not applicable for this project, so it is set to '0'							
	D13	Inversion Status	'0' = Inversion is Off. '1' = Inversion is On.							
D12	All Pixels On	'0' = Normal mode. '1' = All Pixels On.								
D11	All Pixels Off	'0' = Normal mode. '1' = All Pixels Off.								
D10	Display On/Off	'0' = Display is Off. '1' = Display is On.								

	D9	Tearing Effect Line On/Off	'0' =Tearing Effect Line Off. '1' = Tearing Effect On.	
	D8	Gamma Curve Selection	Gamma Curve Selected	
	D7		Gamma Curve 1	B8 B7 B6 0 0 0
			Gamma Curve 2	0 0 1
			Gamma Curve 3	0 1 0
			Gamma Curve 4	0 1 1
			Not Defined	1 0 0
			Not Defined	1 0 1
	D6	Not Defined	1 1 0	
		Not Defined	1 1 1	
	D5	Tearing Effect Output Line Mode	'0' = Mode 1, V-Blanking only. '1' = Mode 2, both H-Blanking and V-Blanking.	
	D4	Horizontal Sync. (HSYNC, DPI I/F)	'0' = Horizontal Sync. line is Off ("Low"). '1' = Horizontal Sync. line is On ("High").	
D3	Vertical Sync. (VSYNC, DPI I/F)	'0' = Vertical Sync. line is Off ("Low"). '1' = Vertical Sync. line is On ("High").		
D2	Pixel Clock (DCK, DPI I/F)	'0' = PCLK line is Off ("Low"). '1' = PCLK line is On ("High").		
D1	Reserved	Always = '0'		
D0	Parity Error on DSI	'0'=No Parity Error. '1'=Parity Error.		
<b>Note:</b> This bit indicates current status of the line when this command has been sent.				
Restriction	-			
Flow Chart	<pre> graph TD     Start([RDDST (09h)]) --&gt; Send31_24[/Send D[31:24]/]     Send31_24 --&gt; Send23_16[/Send D[23:16]/]     Send23_16 --&gt; Send15_8[/Send D[15:8]/]     Send15_8 --&gt; Send7_0[/Send D[7:0]/]             </pre>			

**10.2.9.RDDPM: Read Display Power Mode (0Ah)**

CMD/PAs	R/W	D7	D6	D5	D4	D3	D2	D1	D0	HEX	
Command	<b>W</b>	0	0	0	0	1	0	1	0	0A	
Parameter 1	<b>R</b>	D7	D6	D5	D4	D3	D2	0	0		
Description	This command indicates the current status of the display as described in the table below:										
	Bit	Description								Value	
	D7	Booster Voltage Status								'0' = Booster Off. '1' = Booster On.	
	D6	Idle Mode On/Off								'0' = Idle Mode Off. '1' = Idle Mode On.	
	D5	Partial Mode On/Off								'0' = Partial Mode Off. '1' = Partial Mode On.	
	D4	Sleep In/Out								0' = Sleep In Mode. '1' = Sleep Out Mode.	
	D3	Display Normal Mode On/Off								'0' = Display Normal Mode Off. '1' = Display Normal Mode On.	
	D2	Display On/Off								'0' = Display is Off. '1' = Display is On.	
	D1	Not Defined								Set to '0'	
	D0	Not Defined								Set to '0'	
Restriction	-										
Flow Chart	<pre> graph TD     A[RDDMP(0Ah)] --&gt; B[/Send D[7:0]/]             </pre>										

10.2.10. RDDMATCDL: Read Display MADCTL (0Bh)

CMD/PAs	R/W	D7	D6	D5	D4	D3	D2	D1	D0	HEX
Command	W	0	0	0	0	1	0	1	1	0B
Parameter 1	R	D7	D6	D5	D4	D3	D2	0	0	
Description	This command indicates the current status of the display as described in the table below:									
	Bit	Description			Value					
	D7	Page Address Order			'0' = Top to Bottom (When MADCTL B7='0'). '1' = Bottom to Top (When MADCTL B7='1').					
	D6	Column Address Order			'0' = Left to Right (When MADCTL B6='0'). '1' = Right to Left (When MADCTL B6='1').					
	D5	Page/Column Order			'0' = Normal (When MADCTL B5='0'). '1' = Rotation (When MADCTL B5='1').					
	D4	Line Address Order			'0' = Refresh Top to Bottom (When MADCTL B4='0'). '1' = Refresh Bottom to Top (When MADCTL B4='1').					
	D3	RGB/BGR Order			'0' = RGB (When MADCTL B3='0'). '1' = BGR (When MADCTL B3='1').					
	D2	Display Data Latch Order			'0' = LCD Refresh Left to Right (When MADCTL B2='0'). '1' = LCD Refresh Right to Left (When MADCTL B2='1').					
	D1	Source san sequence			'0' = Source output Left to Right (When MADCTL B1='0'). '1' = Source output Right to Left (When MADCTL B1='1').					
	D0	Gate san sequence			'0' = Gate output Top to Bottom (When MADCTL B0='0'). '1' = Gate output Bottom to Top (When MADCTL B0='1').					
Restriction	-									
Flow Chart	<pre> graph TD     A[RDDMADCTR (0Bh)] --&gt; B[/Send D[7:0]/]             </pre>									

10.2.11. RDDCOLMOD: Read Display COLMOD (0Ch)

CMD/PAs	R/W	D7	D6	D5	D4	D3	D2	D1	D0	HEX
Command	W	0	0	0	0	1	1	0	0	0C
Parameter 1	R	-	D6	D5	D4	-	D2	D1	D0	
Description	<p>This command gets the pixel format for the RGB image data used by the interface.</p> <p>D[6:4] – DPI Interface Color Pixel Format Definition, fixed @111</p> <p>D[2:0] – DBI Interface Color Pixel Format Definition, fixed @000.</p> <p>If a particular interface, either DBI or DPI, is not used then the corresponding bits in the parameter returned from the display module are undefined.</p> <p>Therefore, for a DBI display module, the Host shall ignore D[6:4] and for a DPI display module, the Host shall ignore D[2:0].</p>									
Restriction	-									
Flow Chart	<pre> graph TD     A[RDDCOLMOD (0Ch)] --&gt; B[/Send D[7:0]/]             </pre>									

10.2.12. Read Display Image Mode (0Dh)

CMD/PAs	R/W	D7	D6	D5	D4	D3	D2	D1	D0	HEX		
Command	W	0	0	0	0	1	1	0	1	0D		
Parameter 1	R	D7	D6	D5	D4	D3	D2	D1	D0			
Description	This command indicates the current status of the display as described in the table below:											
	Bit	Description				Value						
	D7	Vertical Scrolling On/Off				'0' = Vertical Scrolling is Off. '1' = Vertical Scrolling is On.						
	D6	Horizontal Scrolling Status				This bit is not applicable for this project, set it to '0'						
	D5	Inversion On/Off				'0' = Inversion is Off. '1' = Inversion is On.						
	D4	All Pixels On				'0' = Normal Display '1' = White Display						
	D3	All Pixels Off				'0' = Normal Display '1' = Black Display						
	D2	Gamma Curve Selection				Gamma Curve Selected			D2	D1	D0	Gamma Set (26h)
	D1					Gamma Curve 1			0	0	0	CG0
						Gamma Curve 2			0	0	1	CG1
Gamma Curve 3						0	1	0	CG2			
Gamma Curve 4						0	1	1	CG3			
D0	Not Defined					1	0	0				
	Not Defined					1	0	1				
	Not Defined					1	1	0				
	Not Defined			1	1	1						
Restriction	-											
Flow Chart	<pre> graph TD     A[RDDIM (0Dh)] --&gt; B[/Send D[7:0]/]             </pre>											

10.2.13. RDDSM: Read Display Signal Mode (0Eh)

CMD/PAs	R/W	D7	D6	D5	D4	D3	D2	D1	D0	HEX
Command	W	0	0	0	0	1	1	1	0	0E
Parameter 1	R	D7	D6	D5	D4	D3	D2	D1	D0	
Description	This command indicates the current status of the display as described in the table below:									
	Bit	Description				Value				
	D7	Tearing Effect Line On/Off				'0' = Tearing Effect Line Off. '1' = Tearing Effect On.				
	D6	Tearing Effect Line Output Mode				'0' = Mode 1. '1' = Mode 2.				
	D5	Horizontal Sync. (RGB I/F) On/Off.				'0' = Horizontal Sync. Line is Off ("Low"). '1' = Horizontal Sync. Line is On ("High").				
	D4	Vertical Sync. (RGB I/F) On/Off.				'0' = Vertical Sync. Line is Off ("Low"). '1' = Vertical Sync. Line is On ("High").				
	D3	Pixel Clock (PCLK, RGB I/F) On/Off.				'0' = PCLK line is Off ("Low"). '1' = PCLK line is On ("High").				
	D2	Data Enable (DE, RGB I/F) On/Off.				'0' = DE line is Off ("Low"). '1' = DE line is On ("High").				
	D1	Not Defined				for future use and are set to '0'.				
	D0	Parity Error on DSI				'0'=No Parity Error. '1'=Parity Error.				
Restriction	-									
Flow Chart	<pre> graph TD     A[RDDSM (0Eh)] --&gt; B[/Send D[7:0]/]             </pre>									



**10.2.14. RDDSDR: Read Display Self-Diagnostic Result (0Fh)**

CMD/PAs	R/W	D7	D6	D5	D4	D3	D2	D1	D0	HEX
Command	W	0	0	0	0	1	1	1	1	0F
Parameter 1	R	D7	D6	D5	D4	0	0	0	0	
Description	The display module returns the self-diagnostic results following a SLPOUT command. See section "9.4 Self-diagnostic Functions" for a description									
	Bit	Description				Value				
	D7	Register Loading Detection				See section "Sleep Out –command and self-diagnostic functions of the display module"				
	D6	Functionality Detection								
	D5	Chip Attachment Detection				Set to '0' if feature unimplemented.				
	D4	Display Glass Break Detection				Set to '0' if feature unimplemented.				
	D3	Reserved				Set to '0'.				
	D2					Set to '0'.				
	D1					Set to '0'.				
	D0					Set to '0'.				
Restriction	-									
Flow Chart	<pre> graph TD     A[RDDSDR (0Fh)] --&gt; B[/Send D[7:0]/]             </pre>									

fitipower.com Confidential

10.2.15. SLPIN: Enter Sleep In Mode (10h)

CMD/PAs	R/W	D7	D6	D5	D4	D3	D2	D1	D0	HEX
Command	W	0	0	0	1	0	0	0	0	10
Description	<p>This command causes the LCD module to enter the minimum power consumption mode. In this mode, all unnecessary blocks inside the display module are disabled except interface communication. This is the lowest power mode the display module supports.</p> <p>DBI or DSI Command Mode remains operational and the frame memory maintains its contents. The host processor continues to send PCLK, HS and VS information to DPI IF for two frames after this command is sent when the display module is in Normal mode.</p> <p>In this mode the DC/DC converter is stopped, Internal oscillator is stopped, and panel scanning is stopped.</p>									
Restriction	<p>This command has no effect when module is already in sleep in mode. Sleep In Mode can only be left by the Sleep Out Command (11h).</p> <p>It will be necessary to wait 5msec before sending next command; this is to allow time for the supply voltages and clock circuits to stabilize.</p> <p>It will be necessary to wait 120msec after sending Sleep Out command (when in Sleep In Mode) before Sleep In command can be sent.</p>									
Flow Chart										

10.2.16. SLPOUT: Exit Sleep In Mode (11h)

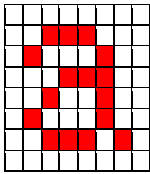
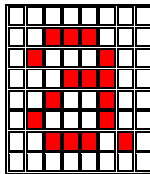
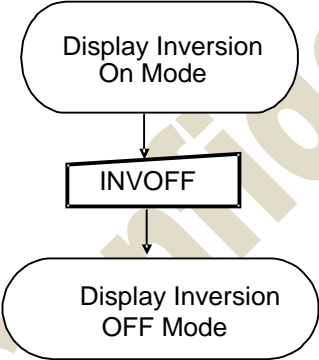
CMD/PAs	R/W	D7	D6	D5	D4	D3	D2	D1	D0	HEX
Command	W	0	0	0	1	0	0	0	1	11
Description	<p>This command turns off sleep mode. In this mode the DC/DC converter is enabled, Internal oscillator is started, and panel scanning is started.</p> <p>User can start to send PCLK, HS and VS information on DPI IF before Sleep Out command and this information is valid at least 2 frames before Sleep Out command, if there is left Sleep In -mode to Sleep Out-mode in Normal Mode On. There is used an internal oscillator for blank display.</p>									
Restriction	<p>This command has no effect when module is already in sleep out mode. Sleep Out Mode can only be left by the Sleep In Command (10h). It will be necessary to wait 5msec before sending next command, this is to allow time for the supply voltages and clock circuits to stabilize. The display module loads all display supplier's factory default values to the registers during this 5msec and there cannot be any abnormal visual effect on the display image if factory default and register values are same when this load is done and when the display module is already Sleep Out -mode. The display module is doing self-diagnostic functions during this 5msec. It will be necessary to wait 120msec after sending Sleep In command (when in Sleep Out mode) before Sleep Out command can be sent.</p>									
Flow Chart	<p>It takes 120msec to become Sleep Out mode after SLPOUT command issued.</p>									

**10.2.17. NORON: Enter Normal Mode (13h)**

CMD/PAs	R/W	D7	D6	D5	D4	D3	D2	D1	D0	HEX
Command	<b>W</b>	0	0	0	1	0	0	1	1	13
Description	<p>This command returns the display to normal mode.</p> <p>Normal display mode is means Partial mode off, Scroll mode Off.</p> <p>There is no abnormal visual effect during mode change from Partial mode On to Normal mode On.</p>									
Restriction	This command has no effect when Normal Display mode is active.									
Flow Chart	See Partial Area and Vertical Scrolling Definition Descriptions for details of when to use this command.									

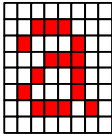
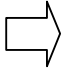
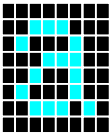
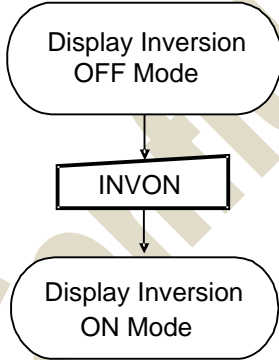
fitipower Confidential

10.2.18. INVOFF: Display Inversion Off (20h)

CMD/PAs	R/W	D7	D6	D5	D4	D3	D2	D1	D0	HEX
Command	W	0	0	1	0	0	0	0	0	20
Description	<p>This command is used to recover from display inversion mode.                      This command makes no change of contents of frame memory.                      This command does not change any other status.</p> <p style="text-align: center;">(Example)</p> <div style="display: flex; justify-content: space-around; align-items: center;"> <div style="text-align: center;"> <p>Memory</p>  </div> <div style="font-size: 2em;">→</div> <div style="text-align: center;"> <p>Display</p>  </div> </div>									
Restriction	This command has no effect when module is already in inversion off mode.									
Flow Chart	 <pre>                     graph TD                         A([Display Inversion On Mode]) --&gt; B[INVOFF]                         B --&gt; C([Display Inversion OFF Mode])                     </pre>									

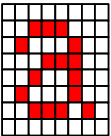
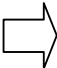
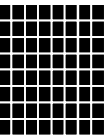
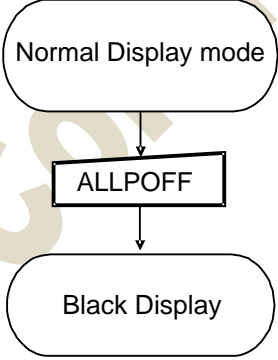
fitipower Confidential

10.2.19. INVON: Display Inversion On (21h)

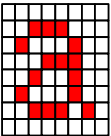
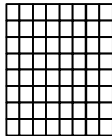
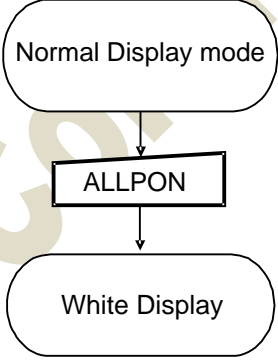
CMD/PAs	R/W	D7	D6	D5	D4	D3	D2	D1	D0	HEX
Command	W	0	0	1	0	0	0	0	1	21
Description	<p>This command is used to enter into display inversion mode.</p> <p>This command makes no change of contents of frame memory. Every bit is inverted from the frame memory to the display.</p> <p>This command does not change any other status.</p> <p>(Example)</p> <div style="display: flex; justify-content: center; align-items: center;"> <div style="text-align: center;"> <p>memory</p>  </div> <div style="margin: 0 20px;">  </div> <div style="text-align: center;"> <p>display</p>  </div> </div>									
Restriction	This command has no effect when module is already in inversion on mode.									
Flow Chart	 <pre> graph TD     A([Display Inversion OFF Mode]) --&gt; B[INVON]     B --&gt; C([Display Inversion ON Mode])             </pre>									

fitipower Confidential

10.2.20. ALLPOFF: All Pixel Off (22h)

CMD/PAs	R/W	D7	D6	D5	D4	D3	D2	D1	D0	HEX
Command	W	0	0	1	0	0	0	1	0	22
Description	<p>This command turns the display panel black in 'Sleep Out' –mode and a status of the 'Display On/Off' –register can be 'on' or 'off'.</p> <p>This command makes no change of contents of frame memory.</p> <p>This command does not change any other status</p> <p>(Example)</p> <div style="display: flex; justify-content: center; align-items: center;"> <div style="text-align: center;"> <p>memory</p>  </div> <div style="margin: 0 20px;">  </div> <div style="text-align: center;"> <p>display</p>  </div> </div> <p>'All Pixels On', 'Normal Display Mode On' or 'Partial Mode On' – commands are used to leave this mode. The display panel is showing the content of the frame memory after 'Normal Display Mode On' and 'Partial Mode On' -commands.</p>									
Restriction	This command has no effect when module is already in All Pixel Off mode.									
Flow Chart	 <pre> graph TD     A([Normal Display mode]) --&gt; B[ALLPOFF]     B --&gt; C([Black Display])             </pre>									

10.2.21. ALLPON: All Pixel On (23h)

CMD/PAs	R/W	D7	D6	D5	D4	D3	D2	D1	D0	HEX
Command	W	0	0	1	0	0	0	1	1	23
Description	<p>This command turns the display panel white in 'Sleep out' –mode and a status of the 'Display On/Off' –register can be 'on' or 'off'.</p> <p>This command makes no change of contents of frame memory.</p> <p>This command does not change any other status.</p> <p>(Example)</p> <div style="display: flex; justify-content: center; align-items: center;"> <div style="text-align: center;"> <p>memory</p>  </div> <div style="margin: 0 20px;">→</div> <div style="text-align: center;"> <p>display</p>  </div> </div> <p>'All Pixels Off', 'Normal Display Mode On' or 'Partial Mode On' – commands are used to leave this mode. The display is showing the content of the frame memory after 'Normal Display Mode On' and 'Partial Mode On' –commands.</p>									
Restriction	This command has no effect when module is already in all Pixel On mode.									
Flow Chart	 <pre> graph TD     A([Normal Display mode]) --&gt; B[ALLPON]     B --&gt; C([White Display])             </pre>									

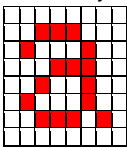
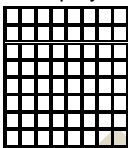
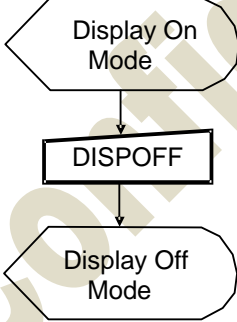


10.2.22. GAMSET: Gamma Set (26h)

CMD/PAs	R/W	D7	D6	D5	D4	D3	D2	D1	D0	HEX															
Command	W	0	0	1	0	0	1	1	0	26															
Description	<p>This command is used to select the desired Gamma curve for the current display. A maximum of 4 fixed gamma curves can be selected. The curves are defined in Curve Correction Power Supply Circuit. The curve is selected by setting the appropriate bit in the parameter as described in the Table:</p> <table border="1"> <thead> <tr> <th>GC[7..0]</th> <th>Parameter</th> <th>Curve selected</th> </tr> </thead> <tbody> <tr> <td>01h</td> <td>GC0</td> <td>Gamma Curve 1</td> </tr> <tr> <td>02h</td> <td>GC1</td> <td>Gamma Curve 2</td> </tr> <tr> <td>04h</td> <td>GC2</td> <td>Gamma Curve 3</td> </tr> <tr> <td>08h</td> <td>GC3</td> <td>Gamma Curve 4</td> </tr> </tbody> </table> <p><b>Note:</b> All other values are undefined.</p>										GC[7..0]	Parameter	Curve selected	01h	GC0	Gamma Curve 1	02h	GC1	Gamma Curve 2	04h	GC2	Gamma Curve 3	08h	GC3	Gamma Curve 4
GC[7..0]	Parameter	Curve selected																							
01h	GC0	Gamma Curve 1																							
02h	GC1	Gamma Curve 2																							
04h	GC2	Gamma Curve 3																							
08h	GC3	Gamma Curve 4																							
Restriction	<p>Values of GC[7..0] not shown in table above are invalid and will not change the current selected Gamma curve until valid value is received.</p>																								
Flow Chart	<pre> graph TD     A[GAMSET] --&gt; B[/GC [7:0]/]     B --&gt; C{{New Gamma Curve Loaded}}             </pre>																								

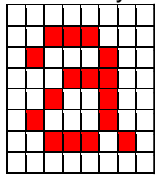
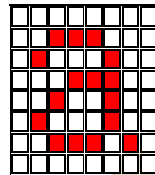
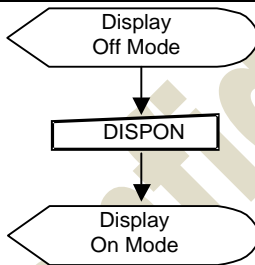
fitipower Confidential

10.2.23. DISPOFF: Display Off (28h)

CMD/PAs	R/W	D7	D6	D5	D4	D3	D2	D1	D0	HEX
Command	W	0	0	1	0	1	0	0	0	28
Description	<p>This command is used to enter into DISPLAY OFF mode. In this mode, the output from Frame Memory is disabled and blank page inserted.</p> <p>This command makes no change of contents of frame memory.</p> <p>This command does not change any other status.</p> <p>There will be no abnormal visible effect on the display.</p> <p style="text-align: center;">Example</p> <div style="display: flex; justify-content: space-around; align-items: center;"> <div style="text-align: center;"> <p>Memory</p>  </div> <div style="font-size: 2em;">→</div> <div style="text-align: center;"> <p>Display</p>  </div> </div>									
Restriction	This command has no effect when module is already in display off mode.									
Flow Chart	 <pre> graph TD     A{{Display On Mode}} --&gt; B[DISPOFF]     B --&gt; C{{Display Off Mode}}             </pre>									

fitipower Confidential

10.2.24. DISPON: Display On (29h)

CMD/PAs	R/W	D7	D6	D5	D4	D3	D2	D1	D0	HEX
Command	W	0	0	1	0	1	0	0	1	29
Description	<p>This command is used to recover from DISPLAY OFF mode. Output from the Frame Memory is enabled.</p> <p>This command makes no change of contents of frame memory.</p> <p>This command does not change any other status.</p> <p>(Example)</p> <div style="display: flex; justify-content: space-around; align-items: center;"> <div style="text-align: center;"> <p>Memory</p>  </div> <div style="font-size: 2em;">→</div> <div style="text-align: center;"> <p>Display</p>  </div> </div>									
Restriction	This command has no effect when module is already in display on mode.									
Flow Chart	 <pre> graph TD     A([Display Off Mode]) --&gt; B[DISPON]     B --&gt; C([Display On Mode])             </pre>									

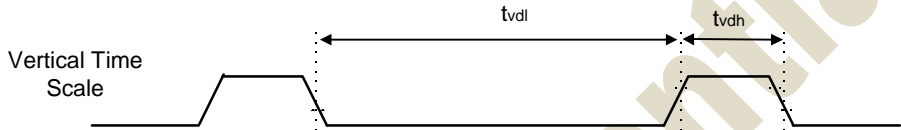
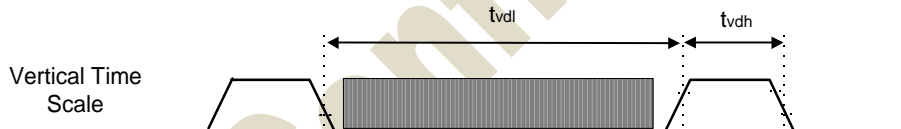
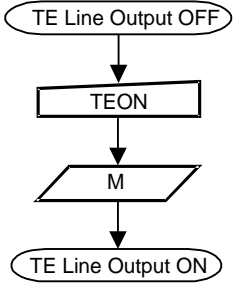
fitipower Confidential

**10.2.25. TEOFF: Tearing Effect Line OFF (34h)**

CMD/PAs	R/W	D7	D6	D5	D4	D3	D2	D1	D0	HEX
Command	<b>W</b>	0	0	1	1	0	1	0	0	34
Description	This command is used to turn OFF (Active Low) the Tearing Effect output signal from the TE signal line.									
Restriction	This command has no effect when Tearing Effect output is already OFF.									
Flow Chart	<pre> graph TD     A([TE Line Output ON]) --&gt; B[TEOFF]     B --&gt; C([TE Line Output OFF])             </pre>									

fitipower Confidential

10.2.26. TEON: Tearing Effect Line ON (35h)

CMD/PAs	R/W	D7	D6	D5	D4	D3	D2	D1	D0	HEX
Command	W	0	0	1	1	0	1	0	1	35
Parameter 1	W	X	X	X	X	X	X	X	M	
Description	<p>This command is used to turn ON the Tearing Effect output signal from the TE signal line. This output is not affected by changing MADCTL bit B4. The Tearing Effect Line On has one parameter which describes the mode of the Tearing Effect Output Line. (X=Don't Care).</p> <p>When M=0: The Tearing Effect Output line consists of V-Blanking information only:</p>  <p>When M=1: The Tearing Effect Output Line consists of both V-Blanking and H-Blanking information:</p>  <p><b>Note:</b> During Sleep In Mode with Tearing Effect Line On, Tearing Effect Output pin will be active Low.</p>									
	Restriction	This command has no effect when Tearing Effect output is already ON.								
Flow Chart	 <pre> graph TD     A([TE Line Output OFF]) --&gt; B[TEON]     B --&gt; C[/M/]     C --&gt; D([TE Line Output ON])         </pre>									

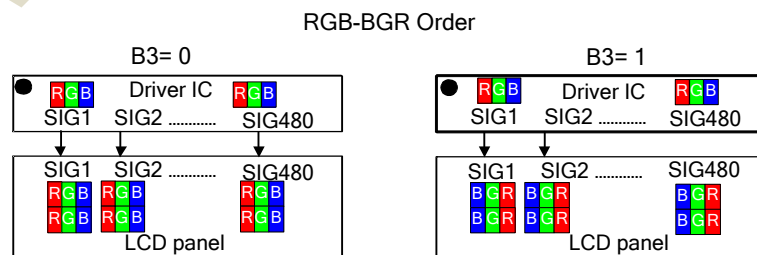
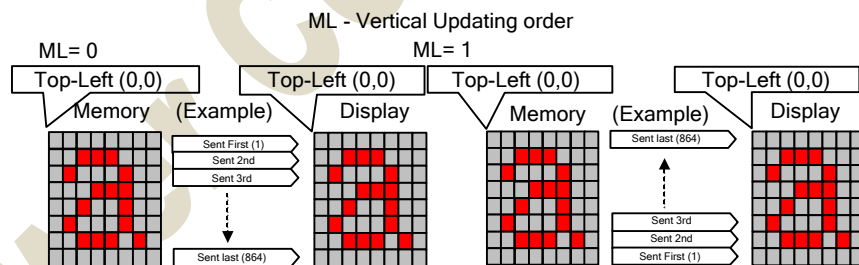
10.2.27. MADCTL: Memory Access Control(36h)

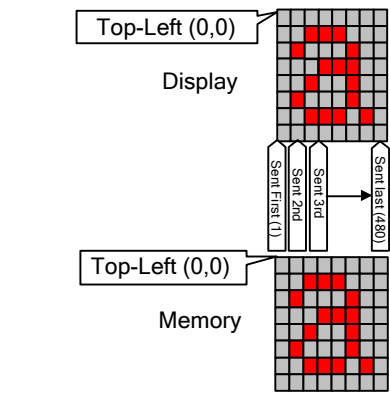
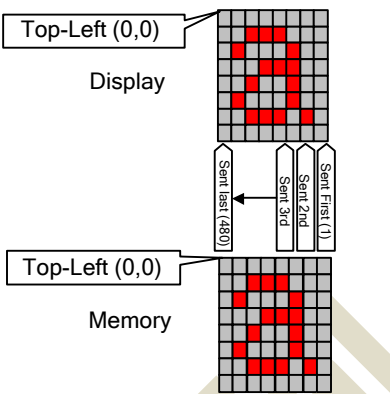
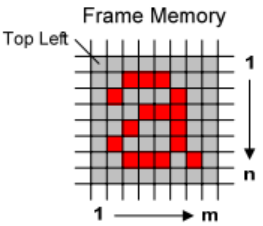
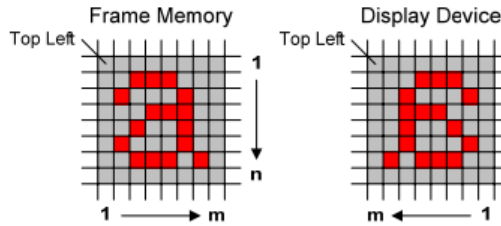
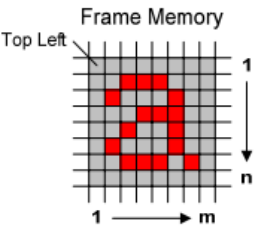
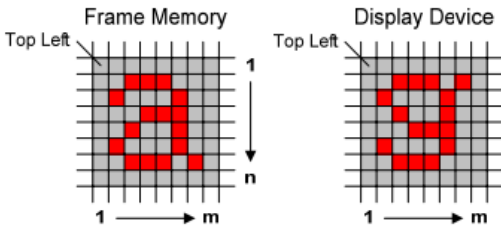
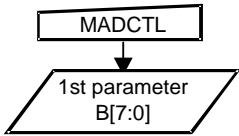
CMD/PAs	R/W	D7	D6	D5	D4	D3	D2	D1	D0	HEX
Command	W	0	0	1	1	0	1	1	0	36
Parameter 1	W	B7	B6	B5	B4	B3	B2	B1	B0	

Description

This command defines read/write scanning direction of frame memory.  
 This command makes no change on the other driver status.

Bit	NAME	DESCRIPTION
B7	PAGE ADDRESS ORDER (MY)	These 3 bits controls MCU to memory write/read direction.
B6	COLUMN ADDRESS ORDER (MX)	
B5	PAGE/COLUMN SELECTION (MV)	
B4	Vertical ORDER (ML)	LCD vertical refresh direction control
B3	RGB-BGR ORDER (BGR)	Color selector switch control 0=RGB color filter panel 1=BGR color filter panel
B2	Horizontal ORDER (MH)	LCD horizontal refresh direction control
B1	Flip Horizontal (SS)	Select the Source driver scan direction on panel module
B0	Flip Vertical (GS)	Select the Gate driver scan direction on panel module



	<p style="text-align: center;">SS - Horizontal Updating order</p> <div style="display: flex; justify-content: space-around;"> <div style="text-align: center;"> <p>MH= 0</p>  </div> <div style="text-align: center;"> <p>MH= 1</p>  </div> </div> <p style="text-align: center;">Source scan sequence (SS)</p> <div style="display: flex; justify-content: space-around;"> <div style="text-align: center;"> <p>SS=0</p>  </div> <div style="text-align: center;"> <p>SS=1</p>  </div> </div> <p style="text-align: center;">Gate scan sequence (GS)</p> <div style="display: flex; justify-content: space-around;"> <div style="text-align: center;"> <p>GS=0</p>  </div> <div style="text-align: center;"> <p>GS=1</p>  </div> </div> <p>Note: Top-Left (0,0) means a physical memory location.</p>
<p>Restriction</p>	<p>-</p>
<p>Flow Chart</p>	

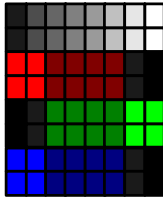
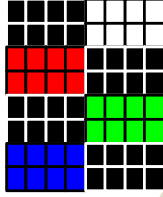
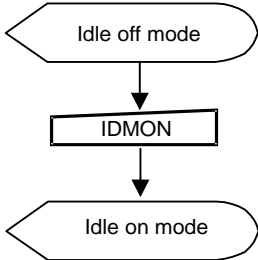
**10.2.28. IDMOFF: Idle Mode Off (38h)**

CMD/PAs	R/W	D7	D6	D5	D4	D3	D2	D1	D0	HEX
Command	<b>W</b>	0	0	1	1	1	0	0	0	38
Description	This command is used to recover from Idle mode on. In the idle off mode, LCD can display maximum 16.7M colors.									
Restriction	This command has no effect when module is already in idle off mode.									
Flow Chart	<pre> graph TD     A([Idle on mode]) --&gt; B[IDMOFF]     B --&gt; C([Idle off mode])             </pre>									

fitipower Confidential



10.2.29. IDMON: Idle Mode On (39h)

CMD/PAs	R/W	D7	D6	D5	D4	D3	D2	D1	D0	HEX																																				
Command	W	0	0	1	1	1	0	0	0	38																																				
Description	<p>This command is used to enter into Idle mode on. In the idle on mode, color expression is reduced. The primary and the secondary colors using MSB of each R, G and B in the Frame Memory, 8 color depth data is displayed.</p> <p>(Example)</p> <div style="display: flex; justify-content: center; align-items: center;"> <div style="text-align: center;"> <p>Memory</p>  </div> <div style="font-size: 2em; margin: 0 10px;">→</div> <div style="text-align: center;"> <p>Display</p>  </div> </div> <p>Memory contents vs. Display Color</p> <table border="1" style="margin-left: auto; margin-right: auto;"> <thead> <tr> <th></th> <th>R7 - R0</th> <th>G7 - G0</th> <th>B7 - B0</th> </tr> </thead> <tbody> <tr> <td>Black</td> <td>0XXXXX</td> <td>0XXXXX</td> <td>0XXXXX</td> </tr> <tr> <td>Blue</td> <td>0XXXXX</td> <td>0XXXXX</td> <td>1XXXXX</td> </tr> <tr> <td>Red</td> <td>1XXXXX</td> <td>0XXXXX</td> <td>0XXXXX</td> </tr> <tr> <td>Magent</td> <td>1XXXXX</td> <td>0XXXXX</td> <td>1XXXXX</td> </tr> <tr> <td>Green</td> <td>0XXXXX</td> <td>1XXXXX</td> <td>0XXXXX</td> </tr> <tr> <td>Cyan</td> <td>0XXXXX</td> <td>1XXXXX</td> <td>1XXXXX</td> </tr> <tr> <td>Yellow</td> <td>1XXXXX</td> <td>1XXXXX</td> <td>0XXXXX</td> </tr> <tr> <td>White</td> <td>1XXXXX</td> <td>1XXXXX</td> <td>1XXXXX</td> </tr> </tbody> </table> <p>X=don't care</p>											R7 - R0	G7 - G0	B7 - B0	Black	0XXXXX	0XXXXX	0XXXXX	Blue	0XXXXX	0XXXXX	1XXXXX	Red	1XXXXX	0XXXXX	0XXXXX	Magent	1XXXXX	0XXXXX	1XXXXX	Green	0XXXXX	1XXXXX	0XXXXX	Cyan	0XXXXX	1XXXXX	1XXXXX	Yellow	1XXXXX	1XXXXX	0XXXXX	White	1XXXXX	1XXXXX	1XXXXX
	R7 - R0	G7 - G0	B7 - B0																																											
Black	0XXXXX	0XXXXX	0XXXXX																																											
Blue	0XXXXX	0XXXXX	1XXXXX																																											
Red	1XXXXX	0XXXXX	0XXXXX																																											
Magent	1XXXXX	0XXXXX	1XXXXX																																											
Green	0XXXXX	1XXXXX	0XXXXX																																											
Cyan	0XXXXX	1XXXXX	1XXXXX																																											
Yellow	1XXXXX	1XXXXX	0XXXXX																																											
White	1XXXXX	1XXXXX	1XXXXX																																											
Restriction	This command has no effect when module is already in idle on mode.																																													
Flow Chart	 <pre> graph TD     A([Idle off mode]) --&gt; B[IDMON]     B --&gt; C([Idle on mode])             </pre>																																													

10.2.30. COLMOD: Interface Pixel Format (3Ah)

CMD/PAs	R/W	D7	D6	D5	D4	D3	D2	D1	D0	HEX
Command	W	0	0	1	1	1	0	1	0	3A
Parameter 1	W	X	D6	D5	D4	X	D2	D1	D0	
Description	<p>This command is used to define the format of RGB picture data.</p> <p>D6~D4 : DPI Pixel format Definition, fixed @111.</p> <p>D2~D0 : DBI Pixel format Definition, fixed @000.</p> <p>If a particular interface, enter DBI or DPI, is not used then the corresponding bits in the parameter returned from the display module undefined.</p>									
Restriction	<p>There is no visible effect until the Frame Memory is written to.</p>									
Flow Chart	<pre> graph TD     A([Bit/Pixel Mode]) --&gt; B[Set Pixel Format]     B --&gt; C[/Parameter/]     C --&gt; D([New n Bit/Pixel Mode])             </pre>									

fitipower Confidential

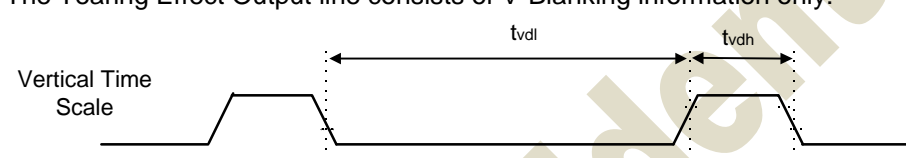
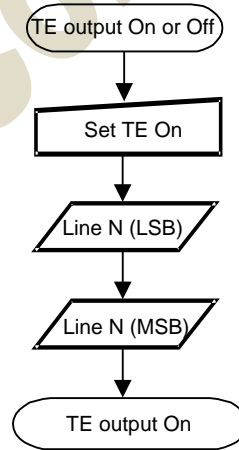
## 10.2.31. Write Memory Continue (3Ch)

CMD/PAs	R/W	D7	D6	D5	D4	D3	D2	D1	D0	HEX
Command	W	0	0	1	1	1	1	0	0	3C
Parameter 1	W	D1[7:0]								
:	W	Dx[7:0]								
Parameter n	W	Dn[7:0]								
Description	<p>This command transfers image data from the host processor to the display module's frame memory continuing from the pixel location following the previous Write Memory Continue (3Ch) or Memory Write Start (2Ch) command. Sending any other command can stop frame Write.</p> <p>If MATCDL MV = 0:</p> <p>Data is written continuing from the pixel location after the write range of the previous Memory Write Start (2Ch) or Write Memory Continue (3Ch). The column register is then incremented and pixels are written to the frame memory until the column register equals the End Column (EC) value. The column register is then reset to SC and the page register is incremented. Pixels are written to the frame memory until the page register equals the End Page (EP) value or the host processor sends another command. If the number of pixels exceeds <math>(EC - SC + 1) * (EP - SP + 1)</math> the extra pixels are ignored.</p> <p>If MATCDL MV = 1:</p> <p>Data is written continuing from the pixel location after the write range of the previous Memory Write Start (2Ch) or Write Memory Continue (3Ch). The page register is then incremented and pixels are written to the frame memory until the page register equals the End Page (EP) value. The page register is then reset to SP and the column register is incremented. Pixels are written to the frame memory until the column register equals the End column (EC) value or the host processor sends another command. If the number of pixels exceeds <math>(EC - SC + 1) * (EP - SP + 1)</math> the extra pixels are ignored.</p>									
Restriction	<p>In all color modes, there is no restriction on length of parameters.</p> <p>The transfer pixel number must can be divisible by 2.</p>									
Flow Chart	<pre> graph TD     A[RAMWR] --&gt; B([Image Data D1[7:0], D2[7:0], ..., Dn[7:0]])     B --&gt; C[Any Command]   </pre>									

10.2.32. RAMRDCON: Read Memory Continue (3Eh)

CMD/PAs	R/W	D7	D6	D5	D4	D3	D2	D1	D0	HEX
Command	W	0	0	1	1	1	1	1	0	3E
Parameter 1	R	D1[7:0]								
:	R	Dx[7:0]								
Parameter n	R	Dn[7:0]								
Description	<p>This command transfers image data from the display module's frame memory to the host processor continuing from the location following the previous Read Memory Continue (3Eh) or Memory Read Start (2Eh) command.</p> <p>If MATCDL MV=0:                      Pixels are read continuing from the pixel location after the read range of the previous Memory Read Start (2Eh) or Read Memory Continue (3Eh). The column register is then incremented and pixels are read from the frame memory until the column register equals the End Column (EC) value. The column register is then reset to SC and the page register is incremented. Pixels are read from the frame memory until the page register equals the End Page (EP) value or the host processor sends another command.</p> <p>If MATCDL MV=1:                      Pixels are read continuing from the pixel location after the read range of the previous Memory Read Start (2Eh) or Read Memory Continue (3Eh). The page register is then incremented and pixels are read from the frame memory until the page register equals the End Page (EP) value. The page register is then reset to SP and the column register is incremented. Pixels are read from the frame memory until the column register equals the End Column (EC) value or the host processor sends another command.</p>									
Restriction	<p>Regardless of the color mode set in Interface Pixel Format (3Ah), the pixel format returned by Read Memory Continue (3Eh) is always 24-bit so there is no restriction on the length of data.</p> <p>A Memory Read Start (2Eh) should follow a Column Address Set (2Ah), Page Address Set (2Bh) or Memory Access Control (36h) to define the read location. Otherwise, data read with Read Memory Continue (3Eh) is undefined.</p>									
Flow Chart	<pre>                     graph TD                         A[RAMRD] --&gt; B[/Dummy/]                         B --&gt; C([Image Data D1[7:0], D2[7:0], ..., Dn[7:0]])                         C --&gt; D[Any Command]                     </pre>									

10.2.33. TESL: Set Tear Effect Scanline (44h)

CMD/PAs	R/W	D7	D6	D5	D4	D3	D2	D1	D0	HEX
Command	W	0	1	0	0	0	1	0	0	44
Parameter 1	W	TELINE[15:8]								
Parameter 2	W	TELINE[7:0]								
Description	<p>This command is turns on the display module's Tearing Effect output signal on the TE signal</p> <p>Line when the display module reaches line TELINE. The TE signal is not affected by changing MADCTL bit B4.</p> <p>The Tearing Effect Line On has one parameter which describes the mode of the Tearing Effect Output Line.</p> <p>The Tearing Effect Output line consists of V-Blanking information only:</p>  <p><b>Note:</b> That TELINE=0 is equivalent to TEMODE=0. The Tearing Effect Output Line shall be active low when the display module is in Sleep mode.</p>									
Restriction	The command has no effect when Tearing Effect output is already ON.									
Flow Chart	 <pre> graph TD     Start([TE output On or Off]) --&gt; SetTE[Set TE On]     SetTE --&gt; LineNLSB[/Line N (LSB)/]     LineNLSB --&gt; LineNMSB[/Line N (MSB)/]     LineNMSB --&gt; End([TE output On])             </pre>									

**10.2.34. GETSCAN: Get the Current Scanline (45h)**

CMD/PAs	R/W	D7	D6	D5	D4	D3	D2	D1	D0	HEX
Command	W	0	1	0	0	0	1	0	1	45
Parameter 1	W	SLN[15:8](8'b0)								
Parameter 2	W	SLN[7:0](8'b0)								
Description	<p>The display module returns the current scanline, N, used to update the display device. The total number of scanlines on a display device is defined as VSYNC + VBP + VACT + VFP. The first scanline is defined as the first line of V Sync and is denoted as Line 0. When in Sleep Mode, the value returned by get scanline is undefined.</p>									
Restriction	-									
Flow Chart	<pre> graph TD     A[GETSCAN(45h)] --&gt; B[/Scanline MSB/]     B --&gt; C[/Scanline LSB/]             </pre>									

fitipower Confidential

**10.2.35. WRDISBV: Write Display Brightness (51h)**

CMD/PAs	R/W	D7	D6	D5	D4	D3	D2	D1	D0	HEX
Command	<b>W</b>	0	1	0	1	0	0	0	1	51
Parameter 1	<b>W</b>	DBV[7:0]								
Description	<p>This command is used to adjust the brightness value of the display.</p> <p>It should be checked what the relationship between this written value and output brightness of the display is. This relationship is defined on the display module specification.</p> <p>In principle relationship is that 00h value means the lowest brightness and FFh value means the highest brightness.</p> <p>See chapter "Brightness Control Block".</p>									
Restriction	-									
Flow Chart	<pre> graph TD     A[WRDISBV] --&gt; B[/DBV[7..0]/]     B --&gt; C{{New Display Luminance Value Loaded}} </pre>									

**10.2.36. RDDISBV: Read Display Brightness Value (52h)**

CMD/PAs	R/W	D7	D6	D5	D4	D3	D2	D1	D0	HEX
Command	<b>W</b>	0	1	0	1	0	0	1	0	52
Parameter 1	<b>R</b>	DBV[7:0]								
Description	<p>This command returns the brightness value of the display.</p> <p>It should be checked what the relationship between this returned value and output brightness of the display. This relationship is defined on the display module specification is.</p> <p>In principle the relationship is that 00h value means the lowest brightness and FFh value means the highest brightness.</p> <p>See chapters: “10.7 Content Adaptive Brightness Control (CABC)” and “11.2.43 WRDISBV: Write Display Brightness (51h)”.</p> <p>DBV[7:0] is reset when display is in sleep-in mode.</p> <p>DBV[7:0] is ‘0’ when bit BCTRL of “11.2.45 WRCTRLD: Write CTRL Display (53h)” command is ‘0’.</p> <p>DBV[7:0] is manual set brightness specified with “11.2.45 WRCTRLD: Write CTRL Display (53h)” command when bit BCTRL is ‘1’.</p> <p>When bit BCTRL of “11.2.45 WRCTRLD: Write CTRL Display (53h)” command is ‘1’ and bit C1/C0 of “WRCABC: Write Content Adaptive Brightness Control (55h)” are ‘0’, DBV[7:0] output is the brightness value specified with “11.2.43 WRDISBV: Write Display Brightness (51h)” command.</p>									
Restriction	-									
Flow Chart	<pre> graph TD     A[Read RDDISBV] --&gt; B[/Send 1 Parameter/]             </pre>									



## 10.2.37. WRCTRLD: Write CTRL Display (53h)

CMD/PAs	R/W	D7	D6	D5	D4	D3	D2	D1	D0	HEX
Command	<b>W</b>	0	1	0	1	0	0	1	1	53
Parameter 1	<b>W</b>	x	x	BCTRL	x	DD	BL	x	x	
Description	<p>This command is used to control display brightness.</p> <p>BCTRL: Brightness Control Block On/Off, This bit is always used to switch brightness for display.</p> <p>0 = Off (Brightness registers are 00h, DBV[7..0])</p> <p>1 = On (Brightness registers are active, according to the other parameters.)</p> <p>Display Dimming (DD): (Only for manual brightness setting)</p> <p>DD = 0: Display Dimming is off</p> <p>DD = 1: Display Dimming is on</p> <p>BL: Backlight Control On/Off</p> <p>0 = Off (Completely turn off backlight circuit. Control lines must be low. )</p> <p>1 = On</p> <p>Dimming function is adapted to the brightness registers for display when bit BCTRL is changed at DD=1, e.g. BCTRL: 0 -&gt; 1 or 1-&gt; 0.</p> <p>When BL bit change from "On" to "Off", backlight is turned off without gradual dimming, even if dimming-on (DD=1) are selected.</p> <p>X = Don't care.</p>									
Restriction	-									
Flow Chart	<pre> graph TD     A[WRCTRLD] --&gt; B[/BCTRL, DD, BL/]     B --&gt; C{New Control Value Loaded}   </pre>									

**10.2.38. RDCTRLD: Read CTRL Value Display (54h)**

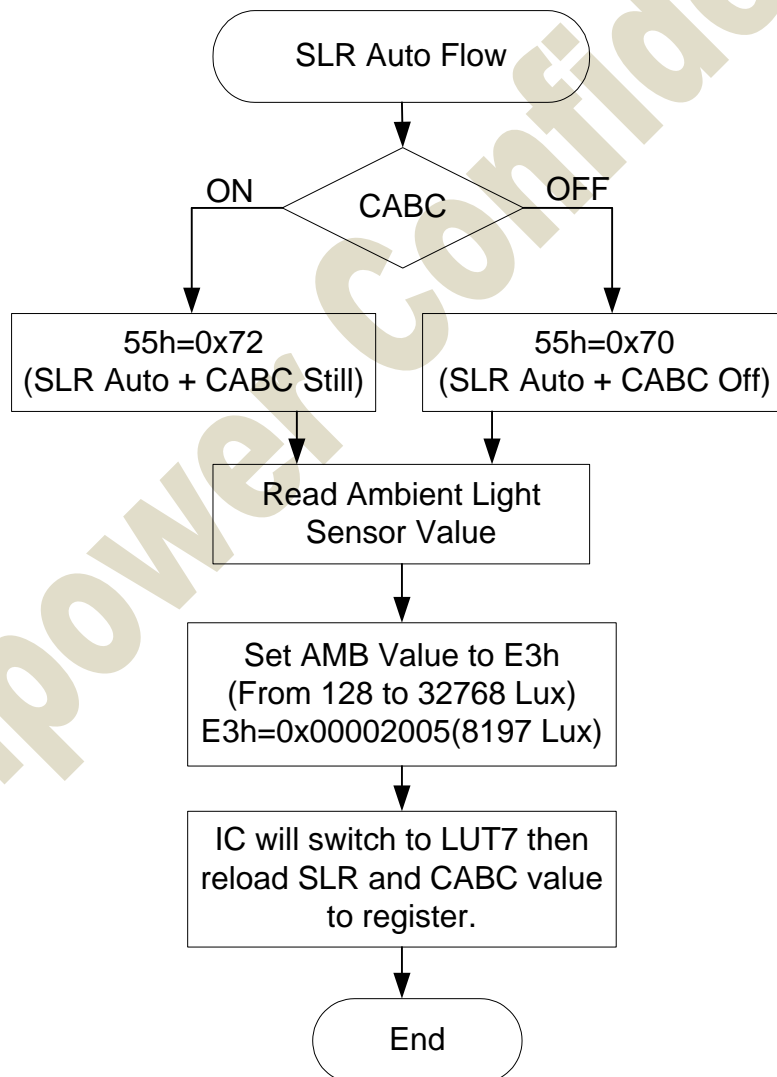
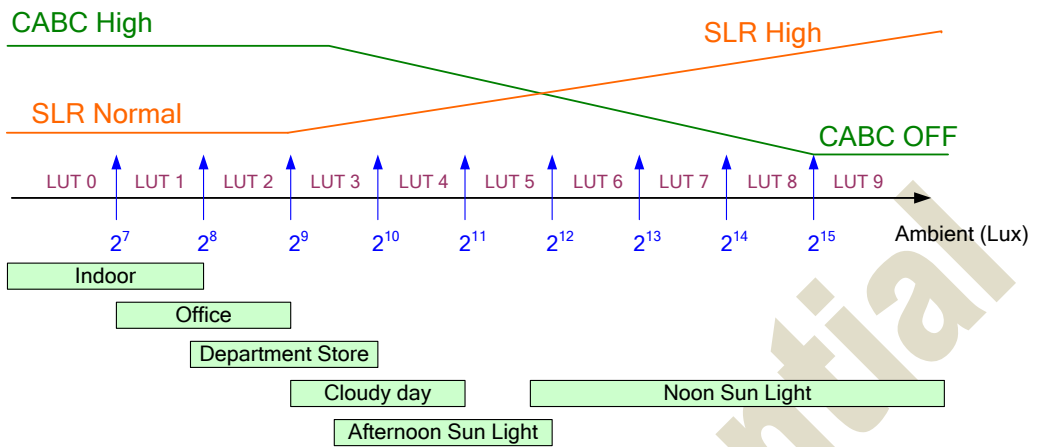
CMD/PAs	R/W	D7	D6	D5	D4	D3	D2	D1	D0	HEX
Command	W	0	1	0	1	0	1	0	0	54
Parameter 1	R	0	0	BCTRL	0	DD	BL	0	0	
Description	<p>This command returns ambient light and brightness control values, see chapter: "11.2.45 WRCTRLD: Write CTRL Display (53h)".</p> <p>BCTRL: Brightness Control Block On/Off, This bit is always used to switch brightness for display.                      0 = Off                      1 = On</p> <p>Display Dimming (DD):                      DD = 0: Display Dimming is off                      DD = 1: Display Dimming is on</p> <p>BL: Backlight Control On/Off                      0 = Off (completely turn off backlight circuit)                      1 = On</p>									
Restriction	-									
Flow Chart	<pre>                     graph TD                         A[Read RDCTRLD] --&gt; B[/Send 1 Parameter/]                     </pre>									

fitipower Confidential

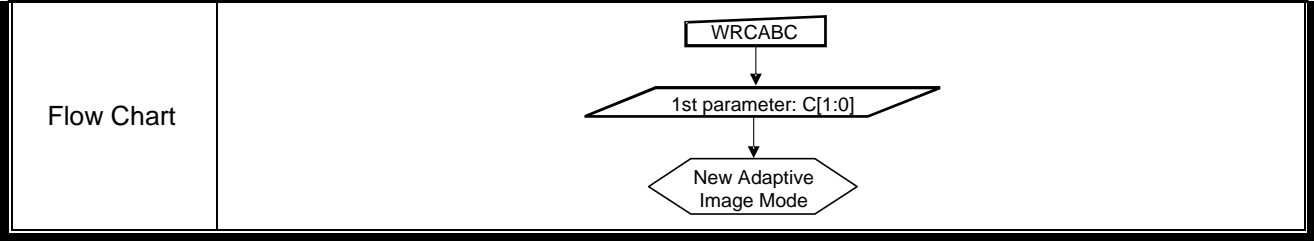
**10.2.39. WRCABC: Write Content Adaptive Brightness Control (55h)**

CMD/PAs	R/W	D7	D6	D5	D4	D3	D2	D1	D0	HEX																																																																																																															
Command	W	0	1	0	1	0	1	0	1	55																																																																																																															
Parameter 1	W	IEC[3:0]				X	X	CABC[1:0]																																																																																																																	
Description	<p>This command is used to set parameters for image content based adaptive brightness control functionality.</p> <p>There is possible to use 4 different modes for content adaptive image functionality, which are defined on a table below. See chapter “10.7 Content Adaptive Brightness Control (CABC)”.</p> <table border="1" data-bbox="710 571 1093 806"> <thead> <tr> <th colspan="2">C[1:0]</th> <th>Function</th> </tr> </thead> <tbody> <tr> <td>0</td> <td>0</td> <td>Off</td> </tr> <tr> <td>0</td> <td>1</td> <td>User Interface Image</td> </tr> <tr> <td>1</td> <td>0</td> <td>Still Picture</td> </tr> <tr> <td>1</td> <td>1</td> <td>Moving Image</td> </tr> </tbody> </table> <p>IEC[3:0] : Image Enhancement Control;</p> <table border="1" data-bbox="566 896 1236 1646"> <thead> <tr> <th colspan="4">IEC[3:0]</th> <th>CE</th> <th>SLR</th> </tr> </thead> <tbody> <tr> <td>0</td> <td>0</td> <td>0</td> <td>0</td> <td>Off</td> <td>Off</td> </tr> <tr> <td>0</td> <td>0</td> <td>1</td> <td>0</td> <td>Low</td> <td>Low</td> </tr> <tr> <td>0</td> <td>0</td> <td>1</td> <td>1</td> <td>Low</td> <td>Medium</td> </tr> <tr> <td>0</td> <td>1</td> <td>0</td> <td>0</td> <td>Off</td> <td>Low</td> </tr> <tr> <td>0</td> <td>1</td> <td>0</td> <td>1</td> <td>Off</td> <td>Medium</td> </tr> <tr> <td>0</td> <td>1</td> <td>1</td> <td>0</td> <td>Off</td> <td>High</td> </tr> <tr> <td>0</td> <td>1</td> <td>1</td> <td>1</td> <td>Low</td> <td>Auto</td> </tr> <tr> <td>1</td> <td>0</td> <td>0</td> <td>0</td> <td>Low</td> <td>Off</td> </tr> <tr> <td>1</td> <td>0</td> <td>0</td> <td>1</td> <td>Medium</td> <td>Off</td> </tr> <tr> <td>1</td> <td>0</td> <td>1</td> <td>0</td> <td>Medium</td> <td>High</td> </tr> <tr> <td>1</td> <td>0</td> <td>1</td> <td>1</td> <td>High</td> <td>Off</td> </tr> <tr> <td>1</td> <td>1</td> <td>0</td> <td>0</td> <td>Low</td> <td>Off</td> </tr> <tr> <td>1</td> <td>1</td> <td>0</td> <td>1</td> <td>Medium</td> <td>Low</td> </tr> <tr> <td>1</td> <td>1</td> <td>1</td> <td>0</td> <td>High</td> <td>Medium</td> </tr> <tr> <td colspan="4">others</td> <td colspan="2">reserved</td> </tr> </tbody> </table>										C[1:0]		Function	0	0	Off	0	1	User Interface Image	1	0	Still Picture	1	1	Moving Image	IEC[3:0]				CE	SLR	0	0	0	0	Off	Off	0	0	1	0	Low	Low	0	0	1	1	Low	Medium	0	1	0	0	Off	Low	0	1	0	1	Off	Medium	0	1	1	0	Off	High	0	1	1	1	Low	Auto	1	0	0	0	Low	Off	1	0	0	1	Medium	Off	1	0	1	0	Medium	High	1	0	1	1	High	Off	1	1	0	0	Low	Off	1	1	0	1	Medium	Low	1	1	1	0	High	Medium	others				reserved	
	C[1:0]		Function																																																																																																																						
	0	0	Off																																																																																																																						
	0	1	User Interface Image																																																																																																																						
	1	0	Still Picture																																																																																																																						
	1	1	Moving Image																																																																																																																						
	IEC[3:0]				CE	SLR																																																																																																																			
	0	0	0	0	Off	Off																																																																																																																			
	0	0	1	0	Low	Low																																																																																																																			
	0	0	1	1	Low	Medium																																																																																																																			
0	1	0	0	Off	Low																																																																																																																				
0	1	0	1	Off	Medium																																																																																																																				
0	1	1	0	Off	High																																																																																																																				
0	1	1	1	Low	Auto																																																																																																																				
1	0	0	0	Low	Off																																																																																																																				
1	0	0	1	Medium	Off																																																																																																																				
1	0	1	0	Medium	High																																																																																																																				
1	0	1	1	High	Off																																																																																																																				
1	1	0	0	Low	Off																																																																																																																				
1	1	0	1	Medium	Low																																																																																																																				
1	1	1	0	High	Medium																																																																																																																				
others				reserved																																																																																																																					

1. Important: If IEC is set as 0x7 (SLR Auto), CE strength will always set as low.
2. If CABC is enable, CABC\_PWM\_WT= AMB\_CABC\_PWM <<2.
3. SLR\_STR = AMB\_SLRH\_STR <<3.
4. In indoor situation, CABC should open to get power saving.



Restriction -

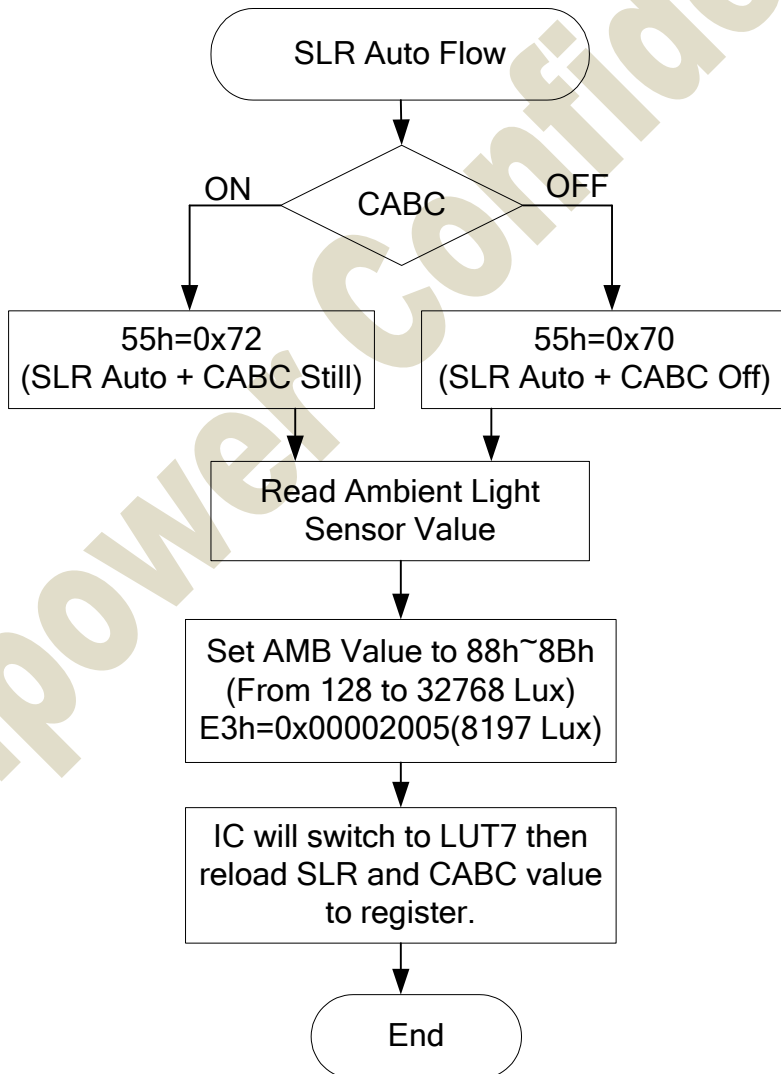
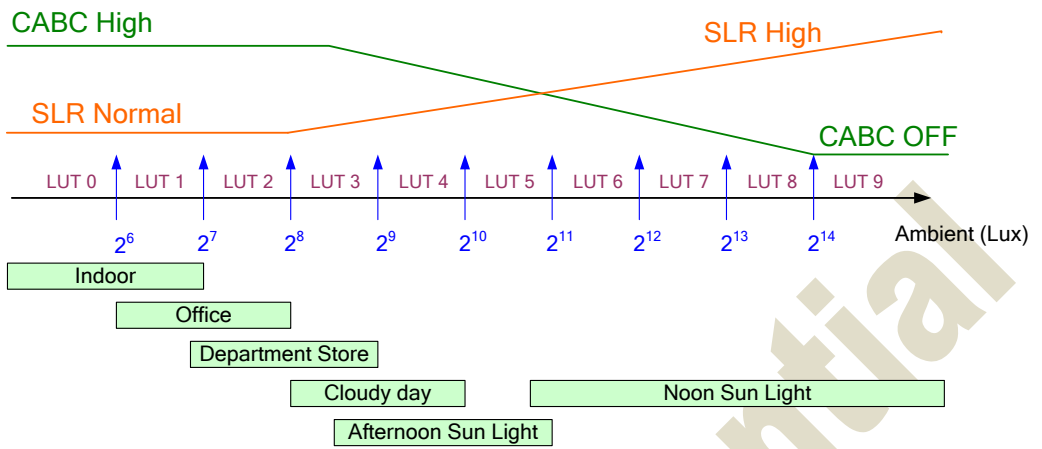


fitipower Confidential

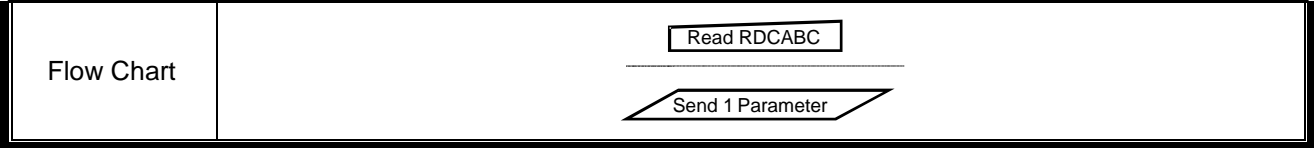
## 10.2.40. RDCABC: Read Content Adaptive Brightness Control (56h)

CMD/PAs	R/W	D7	D6	D5	D4	D3	D2	D1	D0	HEX																																																																																																															
Command	W	0	1	0	1	0	1	1	0	56																																																																																																															
Parameter 1	R	IEC[3:0]				X	X	CABC[1:0]																																																																																																																	
Description	<p>This command is used to get parameters for image content based adaptive brightness control functionality.</p> <p>There is possible to use 4 different modes for content adaptive image functionality, which are defined on a table below. See chapter "10.7 Content Adaptive Brightness Control (CABC)".</p> <table border="1"> <thead> <tr> <th>C1</th> <th>C0</th> <th>Function</th> </tr> </thead> <tbody> <tr> <td>0</td> <td>0</td> <td>Off</td> </tr> <tr> <td>0</td> <td>1</td> <td>User Interface Image</td> </tr> <tr> <td>1</td> <td>0</td> <td>Still Picture</td> </tr> <tr> <td>1</td> <td>1</td> <td>Moving Image</td> </tr> </tbody> </table> <p>IEC[3:0] : Image Enhancement Control;</p> <table border="1"> <thead> <tr> <th colspan="4">IEC[3:0]</th> <th>CE</th> <th>SLR</th> </tr> </thead> <tbody> <tr> <td>0</td> <td>0</td> <td>0</td> <td>0</td> <td>Off</td> <td>Off</td> </tr> <tr> <td>0</td> <td>0</td> <td>1</td> <td>0</td> <td>Low</td> <td>Low</td> </tr> <tr> <td>0</td> <td>0</td> <td>1</td> <td>1</td> <td>Low</td> <td>Medium</td> </tr> <tr> <td>0</td> <td>1</td> <td>0</td> <td>0</td> <td>Off</td> <td>Low</td> </tr> <tr> <td>0</td> <td>1</td> <td>0</td> <td>1</td> <td>Off</td> <td>Medium</td> </tr> <tr> <td>0</td> <td>1</td> <td>1</td> <td>0</td> <td>Off</td> <td>High</td> </tr> <tr> <td>0</td> <td>1</td> <td>1</td> <td>1</td> <td>Low</td> <td>Auto</td> </tr> <tr> <td>1</td> <td>0</td> <td>0</td> <td>0</td> <td>Low</td> <td>Off</td> </tr> <tr> <td>1</td> <td>0</td> <td>0</td> <td>1</td> <td>Medium</td> <td>Off</td> </tr> <tr> <td>1</td> <td>0</td> <td>1</td> <td>0</td> <td>Medium</td> <td>High</td> </tr> <tr> <td>1</td> <td>0</td> <td>1</td> <td>1</td> <td>High</td> <td>Off</td> </tr> <tr> <td>1</td> <td>1</td> <td>0</td> <td>0</td> <td>Low</td> <td>Off</td> </tr> <tr> <td>1</td> <td>1</td> <td>0</td> <td>1</td> <td>Medium</td> <td>Low</td> </tr> <tr> <td>1</td> <td>1</td> <td>1</td> <td>0</td> <td>High</td> <td>Medium</td> </tr> <tr> <td colspan="4">others</td> <td colspan="2">reserved</td> </tr> </tbody> </table>										C1	C0	Function	0	0	Off	0	1	User Interface Image	1	0	Still Picture	1	1	Moving Image	IEC[3:0]				CE	SLR	0	0	0	0	Off	Off	0	0	1	0	Low	Low	0	0	1	1	Low	Medium	0	1	0	0	Off	Low	0	1	0	1	Off	Medium	0	1	1	0	Off	High	0	1	1	1	Low	Auto	1	0	0	0	Low	Off	1	0	0	1	Medium	Off	1	0	1	0	Medium	High	1	0	1	1	High	Off	1	1	0	0	Low	Off	1	1	0	1	Medium	Low	1	1	1	0	High	Medium	others				reserved	
	C1	C0	Function																																																																																																																						
0	0	Off																																																																																																																							
0	1	User Interface Image																																																																																																																							
1	0	Still Picture																																																																																																																							
1	1	Moving Image																																																																																																																							
IEC[3:0]				CE	SLR																																																																																																																				
0	0	0	0	Off	Off																																																																																																																				
0	0	1	0	Low	Low																																																																																																																				
0	0	1	1	Low	Medium																																																																																																																				
0	1	0	0	Off	Low																																																																																																																				
0	1	0	1	Off	Medium																																																																																																																				
0	1	1	0	Off	High																																																																																																																				
0	1	1	1	Low	Auto																																																																																																																				
1	0	0	0	Low	Off																																																																																																																				
1	0	0	1	Medium	Off																																																																																																																				
1	0	1	0	Medium	High																																																																																																																				
1	0	1	1	High	Off																																																																																																																				
1	1	0	0	Low	Off																																																																																																																				
1	1	0	1	Medium	Low																																																																																																																				
1	1	1	0	High	Medium																																																																																																																				
others				reserved																																																																																																																					

1. Important: If IEC is set as 0x7 (SLR Auto), CE strength will always set as low.
2. If CABC is enable, CABC\_PWM\_WT= AMB\_CABC\_PWM <<2.
3. SLR\_STR = AMB\_SLRH\_STR <<3.
4. In indoor situation, CABC should open to get power saving.



Restriction -



fitipower Confidential



**10.2.41. WRCABCMB: Write CABC Minimum Brightness (5Eh)**

CMD/PAs	R/W	D7	D6	D5	D4	D3	D2	D1	D0	HEX
Command	W	0	1	0	1	1	1	1	0	5E
Parameter 1	W	CMB[7:0]								
Description	<p>This command is used to set the minimum brightness value of the display for CABC function.</p> <p>In principle relationship is that 00h value means the lowest brightness for CABC and FFh value means the highest brightness for CABC.</p> <p>See chapter “ 10.7.3 Minimum brightness setting of CABC function”.</p>									
Restriction	-									
Flow Chart	<pre> graph TD     A[WRCABCMB] --&gt; B[/CMB[7..0]/]     B --&gt; C{{New Display Luminance Value Loaded}}             </pre>									

fitipower Confidential

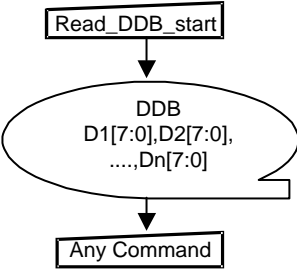
**10.2.42. RDCABCMB: Read CABC Minimum Brightness (5Fh)**

CMD/PAs	R/W	D7	D6	D5	D4	D3	D2	D1	D0	HEX
Command	<b>W</b>	0	1	0	1	0	1	1	1	5F
Parameter 1	<b>R</b>	CMB[7:0]								
Description	<p>This command returns the minimum brightness value of CABC function.</p> <p>In principle the relationship is that 00h value means the lowest brightness and FFh value means the highest brightness.</p> <p>See chapter “10.7.3 Minimum brightness setting of CABC function”</p>									
Restriction	-									
Flow Chart	<pre> graph TD     A[Read RDCABCMB] --&gt; B[/Send 1 Parameter/]           </pre>									

fitipower Confidential

## 10.2.43. RDDDB: Read DDB Start (A1h)

CMD/PAs	R/W	D7	D6	D5	D4	D3	D2	D1	D0	HEX
Command	W	1	0	1	0	0	0	0	1	A1
Parameter 1	R	X	X	X	X	X	X	X	X	
:	R	X	X	X	X	X	X	X	X	
Parameter n	R	X	X	X	X	X	X	X	X	
Description	<p>This command reads identifying and descriptive information from the peripheral. This information is organized in the Device Descriptor Block (DDB) stored on the peripheral. The response to this command returns a sequence of bytes that may be any length up to 64K bytes. Note that the returned sequence of bytes does not necessarily correspond to the entire DDB; it may be a portion of a larger block of data.</p> <p>The format of returned data is as follows:</p> <p>Parameter 1: LS (least significant) byte of Supplier ID. Supplier ID is a unique value assigned to each peripheral supplier by the MIPI organization.</p> <p>Parameter 2: MS (most significant) byte of Supplier ID.</p> <p>Parameter 3: LS (least significant) byte of Supplier Elective Data. This is a byte of information that is determined by the supplier. It could include model number or revision information, for example.</p> <p>Parameter 4: MS (most significant) byte of Supplier Elective Data</p> <p>Parameter 5: single-byte <i>Escape or Exit Code</i> (EEC). The code is interpreted as follows:</p> <ul style="list-style-type: none"> <li>- FFh - Exit code – there is no more data in the Descriptor Block</li> <li>- 00h - Escape code – there is supplier-proprietary data in the Descriptor Block (does not conform to any MIPI standard)</li> <li>- Any other value – there is DDB data in the Descriptor Block. The format and interpretation of this data is documented in <i>MIPI Alliance Standard for Device Descriptor Block (DDB)</i>.</li> </ul> <p>DDBs may contain many more data fields providing information about the peripheral. In a DSI system, read activity takes the form of two separate transactions across the bus: first the read command RDDDB: Read DDB Start (A1h) from host processor to peripheral, which includes the bus turn-around token.</p> <p>The peripheral then takes control of the bus and returns the requested data. The peripheral response to RDDDB: Read DDB Start (A1h) is a Long Packet type, so its length may be up to 64K bytes unless limited by a previous <code>set_max_return_size</code> command.</p> <p>The response to a RDDDB: Read DDB Start (A1h) command always starts at the beginning of the Device Descriptor Block. After receiving the first packet and processing the returned DDB data, the host processor may initiate a RDDDBCON: Read DDB Continue (A8h) command to access the next portion of the DDB. A RDDDBCON: Read</p>									

	<p>DDB Continue (A8h) command begins the next read at the location following the last byte of the previous data read from the DDB.</p> <p>Subsequent RDDDBCON: Read DDB Continue (A8h) commands can be used to read a DDB or supplier-proprietary block of arbitrary size. There is, however, no obligation to read the entire block. The host processor may choose to stop reading after completion of any <b>Read DDB xxx</b> command.</p>
<p>Restriction</p>	<p>-</p>
<p>Flow Chart</p>	 <pre> graph TD     A[Read_DDB_start] --&gt; B([DDB D1[7:0], D2[7:0], ..., Dn[7:0]])     B --&gt; C[Any Command]     </pre>

fitipower Confidential

10.2.44. RDDDBCON: Read DDB Continue (A8h)

CMD/PAs	R/W	D7	D6	D5	D4	D3	D2	D1	D0	HEX
Command	W	1	0	1	0	1	0	0	0	A8
Parameter 1	R	X	X	X	X	X	X	X	X	
:	R	X	X	X	X	X	X	X	X	
Parameter n	R	X	X	X	X	X	X	X	X	
Description	A RDDDB: Read DDB Start (A1h) command should be executed at least once before a RDDDBCON: Read DDB Continue (A8h) command to define the read location. Otherwise, data read with a RDDDBCON: Read DDB Continue (A8h) command is undefined.									
Restriction	-									
Flow Chart	<pre>                     graph TD                         A[Read_DDB_continue] --&gt; B(DDB D1[7:0], D2[7:0], ..., Dn[7:0])                         B --&gt; C[Any Command]                     </pre>									

fitipower Confidential

10.2.45. RDFCS: Read First Checksum (AAh)

CMD/PAs	R/W	D7	D6	D5	D4	D3	D2	D1	D0	HEX
Command	W	1	0	1	0	1	0	1	0	AA
Parameter 1	R	FCS7:0]								
Description	This command returns the first checksum what has been calculated from Nokia's area registers and the frame memory after the write access to those registers and/or frame memory has been done.									
Restriction	-It will be necessary to wait 150ms after there is the last write access on Nokia area registers before there can read this checksum value.									
Flow Chart	<pre> graph TD     A[RDFCS] --&gt; B[/Send 1 parameter/]             </pre>									

fitipower Confidential

**10.2.46. RDCCS: Read Continue Checksum (AFh)**

CMD/PAs	R/W	D7	D6	D5	D4	D3	D2	D1	D0	HEX
Command	W	1	0	1	0	1	1	1	1	AF
Parameter 1	R	CCS[7:0]								
Description	This command returns the continue checksum what has been calculated continuously after the first checksum has calculated from Nokia area registers and the frame memory after the write access to those registers and/or frame memory has been done.									
Restriction	-it will be necessary to wait 300ms after there is the last write access on Nokia area registers before there can read this checksum value in the first time.									
Flow Chart	<pre> graph TD     RDCCS[RDCCS] --&gt; Send[Send 1 parameter]             </pre>									

fitipower Confidential

10.2.47. RDID1: Read ID1 (DAh)

CMD/PAs	R/W	D7	D6	D5	D4	D3	D2	D1	D0	HEX
Command	W	1	1	0	1	1	0	1	0	DA
Paameter 1	R	module's manufacturer[7:0]								
Description	This read byte identifies the LCD module's manufacturer. It is specified by display supplier and for xx is defined as xxHEX.									
Restriction	-									
Flow Chart	<pre> graph TD     A[Read ID1] --&gt; B[/Send 1 parameter/]             </pre>									

fitipower Confidential



10.2.48. RDID2: Read ID2 (DBh)

CMD/PAs	R/W	D7	D6	D5	D4	D3	D2	D1	D0	HEX																				
Command	W	1	1	0	1	1	0	1	1	DB																				
Parameter 1	R	LCD module/driver version [7:0]																												
Description	This read byte is used to track the LCD module/driver version. It is defined by display supplier and changes each time a revision is made to the display, material or construction specifications. See Table:																													
	<table border="1"> <thead> <tr> <th>ID Byte Value V[7:0]</th> <th>Version</th> <th>Changes</th> </tr> </thead> <tbody> <tr> <td>80h</td> <td></td> <td></td> </tr> <tr> <td>81h</td> <td></td> <td></td> </tr> <tr> <td>82h</td> <td></td> <td></td> </tr> <tr> <td>83h</td> <td></td> <td></td> </tr> <tr> <td>84h</td> <td></td> <td></td> </tr> <tr> <td>85h</td> <td></td> <td></td> </tr> </tbody> </table>										ID Byte Value V[7:0]	Version	Changes	80h			81h			82h			83h			84h			85h	
ID Byte Value V[7:0]	Version	Changes																												
80h																														
81h																														
82h																														
83h																														
84h																														
85h																														
	X= Don't care																													
Restriction	-																													
Flow Chart	<pre>                     graph TD                         A[Read ID2] --&gt; B[/Send 1 parameter/]                     </pre>																													

fitipower Confidential

10.2.49. RDID3: Read ID3 (DCh)

CMD/PAs	R/W	D7	D6	D5	D4	D3	D2	D1	D0	HEX
Command	W	1	1	0	1	1	1	0	0	DC
Parameter 1	R	LCD module/driver ID[7:0]								
Description	This read byte identifies the LCD module/driver. It is specified by display supplier and for this LCD project module is defined as xxHEX.									
Restriction	-									
Flow Chart	<pre> graph TD     A[Read ID13] --&gt; B[/Send 1 parameter/]             </pre>									

fitipower Confidential

## 11. Electrical Specifications

### 11.1. Absolute maximum ratings

Symbol	Parameter	Unit	Value	Note
VCCD/IOVCC	Interface Supply Voltage	V	-0.3 to +3.6	Note <sup>(3),(4)</sup>
VCI	Logic Supply Voltage	V	-0.3 to +6.6	Note <sup>(3),(5)</sup>
VCIP	Analog Supply Voltage	V	-0.3 to +6.6	Note <sup>(3),(6)</sup>
VCCH	High speed interface Supply Voltage	V	-0.3 to +3.6	Note <sup>(3),(7)</sup>
AVDD	Positive Voltage input	V	-0.3 to +6.6	Note <sup>(8)</sup>
AVEE	Negative Voltage input	V	0 to -6.6	Note <sup>(9)</sup>
VGH	Power Supply Voltage	V	-0.3 to +25	Note <sup>(10)</sup>
VGL	Power Supply Voltage	V	0 to -16	Note <sup>(11)</sup>
Top	Operating Temperature	°C	-40 to +85	Note <sup>(12)</sup>
Tstg	Storage Temperature	°C	-55 to +110	Note <sup>(13)</sup>

**Note:** (1) Permanent device damage may occur if absolute maximum conditions are exceeded.

(2) Functional operation should be restricted to the conditions described under DC Characteristics.

(3) VCCD/IOVCC, VSSD must be maintained.

(4) To make sure  $VCCD/IOVCC \geq VSSD$ .

(5) To make sure  $VCIP \geq AVSS$ .

(6) To make sure  $VCI \geq AVSS$ .

(7) To make sure  $VCCH \geq VSSH$ .

(8) To make sure  $AVDD \geq AVSS$ .

(9) To make sure  $AVSS \geq AVEE$ .

(10) To make sure  $VGH \geq AVSS$ .

(11) To make sure  $AVSS \geq VGL$

$VGH + |VGL| < 30V$

(12) For die and wafer products, specified up to +85°C.

(13) This temperature specifications apply to the COG package.

**Table 11.1: Absolute maximum ratings**

## 11.2. DC characteristics

(T<sub>A</sub>=-40 ~ 85 °C, VCIP=2.5 ~ 4.8V, VCI=2.5 ~ 4.8V, VCCD/IOVCC=1.65~3.3V)

Item	Symbol	Condition	Min.	Typ.	Max.	Unit
VCCD/IOVCC	V <sub>IN</sub>	Interface Supply Voltage	1.65	-	3.6	
VCIP	V <sub>IN</sub>	Logic Supply Voltage	2.5	-	6.0	
VCI	V <sub>IN</sub>	Analog Supply Voltage	2.5	-	6.0	
VCCH	V <sub>IN</sub>	High speed interface Supply Voltage	1.65	-	3.6	
Input high voltage	V <sub>IH</sub>	VCCD/IOVCC= 1.65 ~ 3.3V	0.7	-	VCCD/IOVCC	V
Input low voltage	V <sub>IL</sub>	VCIP= 2.5 ~ 3.3V VCI= 2.5 ~ 3.3V	0	-	0.3 VCCD/IOVCC	V
VPP	V <sub>IH</sub>	VPP	7.25V	7.5V	7.75V	V
	V <sub>IL</sub>					
Output high voltage (SDO, LEDPWM)	V <sub>OH1</sub>	I <sub>OH</sub> = -1.0 mA	0.8	-	VCCD/IOVCC	V
Output low voltage (SDO, LEDPWM)	V <sub>OL1</sub>	VCCD/IOVCC= 1.65 ~ 2.4V I <sub>OL</sub> = 1.0 mA	0	-	0.2 VCCD/IOVCC	V
Logic High level input current	I <sub>IH</sub>	VSYNC, HSYNC	-	-	1	μA
		RESX, DCX_SCL, CSX, RDX, WRX_SCL	-	-	1	μA
	I <sub>IHD</sub>	DB[23...0], SDI, DCX DB[23...0]	-	-	1	μA
Logic Low level input current	I <sub>IL</sub>	VSYNC, HSYNC	-1	-		μA
		RESX, DCX, CSX, RDX, WRX_SCL	-1	-		μA
	I <sub>ILD</sub>	DB[23...0], SDI, DCX DB[23...0]	-1	-		μA
Current consumption standby mode (VCIP/VCI-VSSD)	I <sub>ST(VDD)</sub>	VCIP/VCI=2.8V, VCCD/IOVCC=1.8V T <sub>A</sub> =25°C	-	TBD	-	μA
Current consumption standby mode (VCCD/IOVCC-VSSD)	I <sub>ST(VCCD/IOVCC)</sub>		-	TBD	-	μA
Current consumption during Deep-standby mode (VCIP/VCI-VSSD)	I <sub>DP-ST(VDD)</sub>	VCIP/VCI=2.8V, VCCD/IOVCC=1.8V T <sub>A</sub> =25°C	-	TBD	-	μA
Current consumption during Deep-standby mode (VCCD/IOVCC-VSSD)	I <sub>DP-ST(VCCD/IOVCC)</sub>		-	TBD	-	μA

**Note:** 1. The VOTP pin is open on normal mode and in used while OTP programming condition.

2. The GRAM data is eliminated under the Deep standby mode.

Table 11.2: DC characteristic

11.3. AC characteristics

11.3.1. Reset input timings

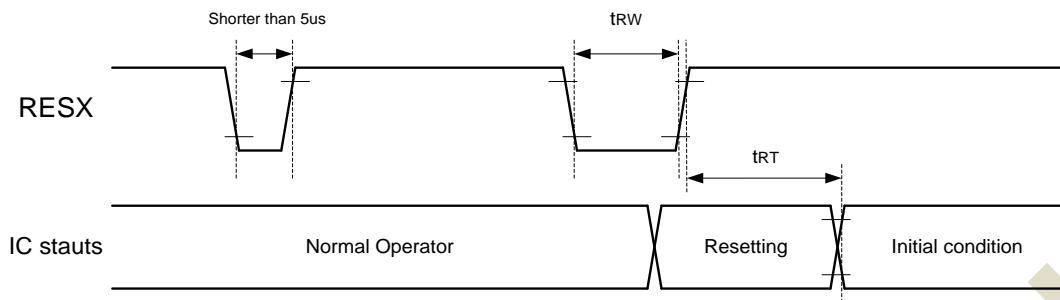


Figure 11.1: Reset input timings

Symbol	Parameter	Related pins	Min.	Max.	Unit
$t_{RW}$	Reset pulse width <sup>(2)</sup>	RESX	10	-	$\mu$ s
$t_{RT}$	Reset complete time <sup>(3)</sup>	-	-	5 (Note 5)	ms
		-	-	120 (Note 6, 7)	ms

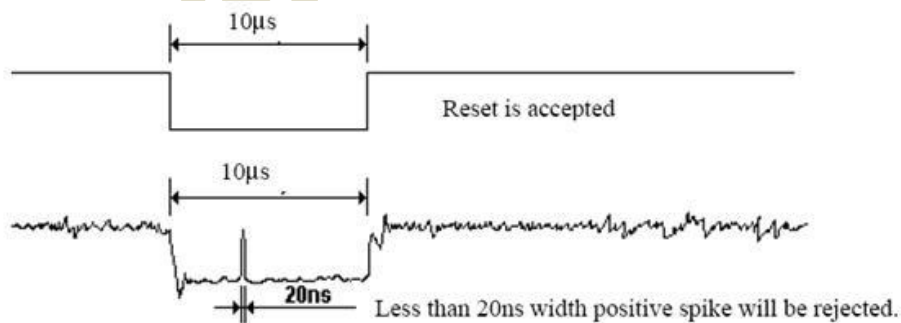
**Note:** (1) The reset complete time also required time for loading ID bytes from OTP to registers. This loading is done every time when there is HW reset cancel time ( $t_{RT}$ ) within 5 ms after a rising edge of RESX.

(2) Spike due to an electrostatic discharge on RESX line does not cause irregular system reset according to the table below.

RESX Pulse	Action
Shorter than 5 $\mu$ s	Reset Rejected
Longer than 10 $\mu$ s	Reset
Between 5 $\mu$ s and 10 $\mu$ s	Reset Start

(3) During the resetting period, the display will be blanked (The display is entering blanking sequence, which maximum time is 120 ms, when Reset Starts in Sleep Out –mode. The display remains the blank state in Sleep In –mode) and then returns to Default condition for H/W reset.

(4) Spike Rejection also applies during a valid reset pulse as shown below:



(5) When Reset is applied during Sleep In Mode.

(6) When Reset is applied during Sleep Out Mode.

(7) It is necessary to wait 5msec after releasing RESX before sending commands. Also Sleep Out command cannot be sent for 120msec.

(8) After Sleep Out Command, it is necessary to wait 120msec then send RESX.

Table 11.3: Reset timings

### 11.3.2.DSI D-PHY electronic characteristics

#### The Description of D-PHY Layer

In general, the DSI - PHY may contain the following electrical functions: Low-Power Receiver (LP-RX), High-Speed Receiver (HS-RX), the Low-Power Contention Detector (LP-CD), and Low Power Transmitter (LP-TX). Figure 13.2 shows the complete set of electronic functions required for a fully featured PHY transceiver.

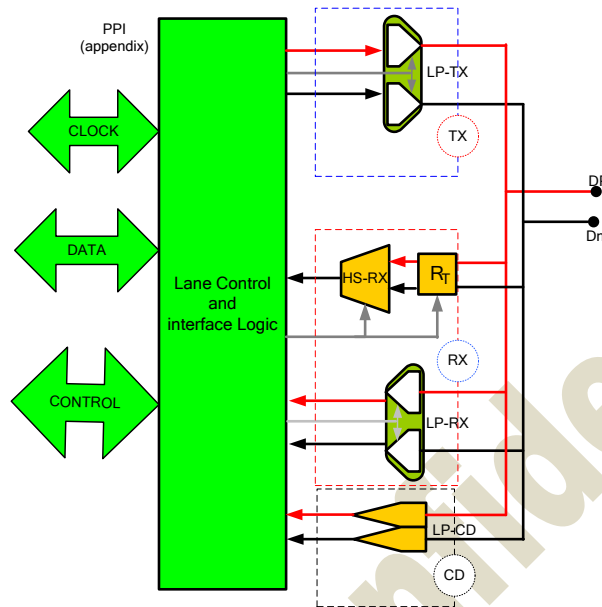


Figure 11.2: Electronic functions of a D-PHY transceiver

Figure 13.3 shows both the HS and LP signal levels of electronic characteristics, respectively. Where, the HS receiver utilizes low-voltage swing differential signaling. The LP transmitter and LP receiver utilize low-voltage swing single signaling. Because the HS signaling levels are below the LP low-level input threshold, Lane switches between Low-Power and High-Speed mode during normal operation.

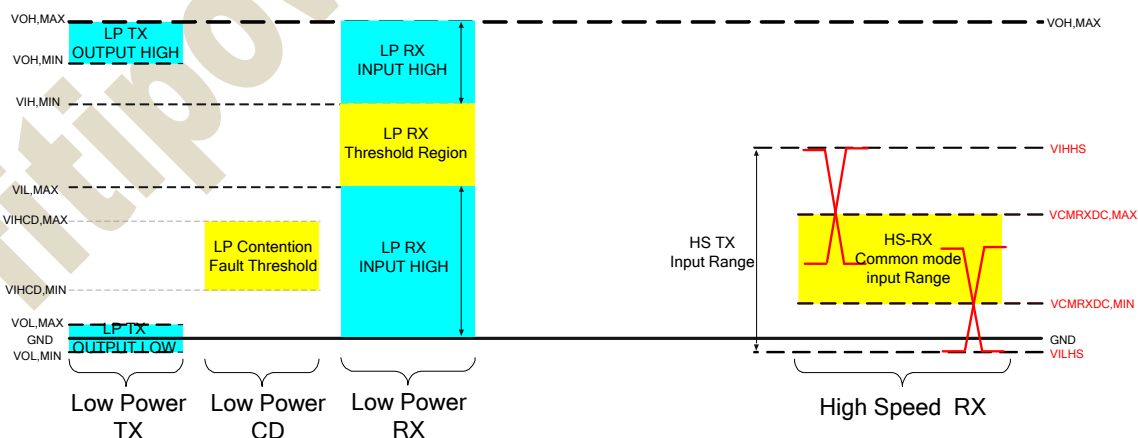


Figure 11.3: HS and LP signal levels

### The Electronic Characteristics of Low-Power Transmitter (TX)

The Low-Power TX shall be a slew-rate controlled push-pull driver. It is used for driving the Lines in all Low-Power modes. Hence, it is important to keep static power consumption of a LP TX be as low as possible. Under tables list DC and AC characteristic for Low power transmitter.

Parameter	Description	Min.	Typ.	Max.	Unit	Note
$V_{OH}$	Thevenin output high level	1.1	1.2	1.3	V	-
$V_{OL}$	Thevenin output low level	-50	-	50	mV	
$Z_{OLP}$	Output impedance of LP-TX	110	-	-	$\Omega$	(1)

**Note:** (1) Though no maximum value for  $Z_{OLP}$  is specified, the LP transmitter output impedance shall ensure the  $t_{RLP}/t_{FLP}$  specification is met.

**Table 11.4: LP-TX DC Specifications**

Parameter	Description	Min.	Typ.	Max.	Unit	Note
$t_{RLP}/t_{FLP}$	15%-85% rise time and fall time	-	-	25	ns	(1)
$T_{LP-PER-TX}$	Period of the LP exclusive-OR clock	90			ns	
$\delta V/\delta t_{SR}$	Slew rate @ CLOAD = 0pF	30	-	500	mV/ns	(1),(3),(5),(6)
	Slew rate @ CLOAD = 5pF	-	-	300	mV/ns	(1),(3),(5),(6)
	Slew rate @ CLOAD = 20pF	-	-	250	mV/ns	(1),(3),(5),(6)
	Slew rate @ CLOAD = 70pF	-	-	150	mV/ns	(1),(3),(5),(6)
	Slew rate @ CLOAD = 0 to 70pF (Rising Edge Only)	30	-	-	mV/ns	(1),(3),(7)
	Slew rate @ CLOAD = 0 to 70pF (Rising Edge Only)	30 – 0.075 * ( $V_{O,INST} - 700$ )	-	-	mV/ns	(1),(8),(9)
	Slew rate @ CLOAD = 0 to 70pF (Falling Edge Only)	30	-	-	mV/ns	(1),(2),(3)
$C_{LOAD}$	Load capacitance	-	-	70	pF	-

**Note:** (1) CLOAD includes the low-frequency equivalent transmission line capacitance. The capacitance of TX and RX are assumed to always be <10pF. The distributed line capacitance can be up to 50pF for a transmission line with 2ns delay.

- (2) When the output voltage is between 400 mV and 930 mV.
- (3) Measured as average across any 50 mV segment of the output signal transition.
- (4) This parameter value can be lower than TLPX due to differences in rise vs. fall signal slopes and trip levels and mismatches between Dp and Dn LP transmitters.
- (5) This value represents a corner point in a piecewise linear curve.
- (6) When the output voltage is in the range specified by VPIN(absmax).
- (7) When the output voltage is between 400 mV and 700 mV.
- (8) Where  $V_{O,INST}$  is the instantaneous output voltage, VDP or VDN, in millivolts.
- (9) When the output voltage is between 700 mV and 930 mV.

**Table 11.5: LP-TX AC Specifications**

## The Electronic Characteristics of Receiver (RX)

This part includes two parts which Low-Power RX and High-Speed RX. Because they have differential DC and AC characteristic, first to describe LP-RX then describe HS-RX.

### Low-Power Receiver (RX)

The low power receiver is an un-terminated, single-ended receiver circuit. The LP receiver is used to detect the Low-Power state on each pin. For high robustness, the LP receiver shall filter out noise pulses and RF interference. It is recommended the implementer optimize the LP receiver design for low power. The LP receiver shall reject any input glitch when the glitch is smaller than eSPIKE. The filter shall allow pulses wider than TMIN to propagate through the LP receiver. The Figure 13.4 shows Input Glitch Rejection of Low-Power RX. In addition, under tables list DC and AC characteristic for LP-RX.

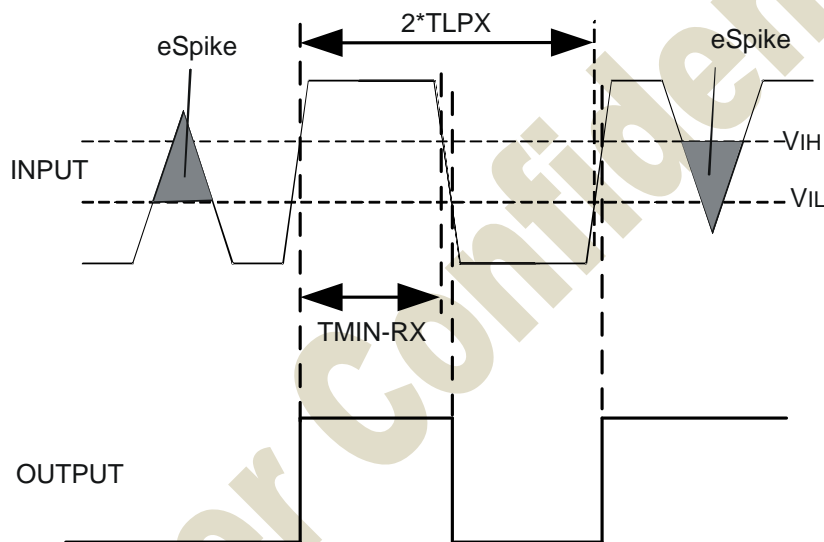


Figure 11.4: Input Glitch Rejections of Low-Power Receivers

Parameter	Description	Min.	Typ.	Max.	Unit	Note
$V_{IH}$	Logic 1 input threshold	880	-	-	mV	-
$V_{IL}$	Logic 0 input threshold, not in ULP state	-	-	550	mV	-

Table 11.6: LP-RX DC Specifications

Parameter	Description	Min.	Typ.	Max.	Unit	Note
$e_{SPIKE}$	Input pulse rejection	-	-	300	V.ps	1, 2, 3
$T_{MIN}$	Minimum pulse width response	20	-	-	ns	4
$V_{INT}$	Peak-to-peak interference voltage	-	-	200	mV	-
$f_{INT}$	Interference frequency	450	-	-	MHz	-

**Note:** (1) Time-voltage integration of a spike above  $V_{IL}$  when being in LP-0 state or below  $V_{IH}$  when being in LP-1 state  
 (2) An impulse less than this will not change the receiver state.  
 (3) In addition to the required glitch rejection, implementers shall ensure rejection of known RF-interferers.  
 (4) An input pulse greater than this shall toggle the output.

Table 11.7: LP-RX AC Specifications



## Line Contention Detection

Contention can be inferred by following conditions:

1. Detect an LP high fault when the LP transmitter is driving high and the pin voltage is less than VIL.
2. Detect an LP low fault shall be detected when the LP transmitter is driving low and the pad pin voltage is greater than VIHCD.

Parameter	Description	Min.	Typ.	Max.	Unit	Note
V <sub>IHCD</sub>	Logic 1 contention threshold	450	-	-	mV	-
V <sub>ILCD</sub>	Logic 0 contention threshold	-	-	200	mV	-

Table 11.8: Contention Detector DC Specifications

fitipower Confidential

### High-Speed Receiver (RX)

The HS receiver is a differential line receiver. It contains a switch-able parallel input termination, Z<sub>ID</sub>, between the positive input pin D<sub>p</sub> and the negative input pin D<sub>n</sub>. Under Tables list DC and AC characteristic for HS-RX.

Parameter	Description	Min.	Typ.	Max.	Unit	Note
V <sub>CMRXDC</sub>	Common-mode voltage HS receive mode	70	-	330	mV	(1),(2)
V <sub>IDTH</sub>	Differential input high threshold	-	-	70	mV	-
V <sub>IDTL</sub>	Differential input low threshold	-70	-	-	mV	-
V <sub>IHHS</sub>	Single-ended input high voltage	-	-	460	mV	(1)
V <sub>ILHS</sub>	Single-ended input low voltage	-40	-	-	mV	(1)
Z <sub>ID</sub>	Differential input impedance	80	100	125	Ω	-

**Note:** (1) Excluding possible additional RF interference of 100mV peak sine wave beyond 450MHz.

(2) This table value includes a ground difference of 50mV between the transmitter and the receiver, the static common-mode level tolerance and variations below 450MHz

**Table 11.9: HS Receiver DC Specifications**

Parameter	Description	Min.	Typ.	Max.	Unit	Note
ΔV <sub>CMRX(HF)</sub>	Common mode interference beyond 450 MHz	-	-	100	mV <sub>PP</sub>	(1)
C <sub>CM</sub>	Common mode termination	-	-	60	pF	(2)

**Note:** (1) ΔV<sub>CMRX(HF)</sub> is the peak amplitude of a sine wave superimposed on the receiver inputs.

(2) For higher bit rates a 14pF capacitor will be needed to meet the common-mode return loss specification.

**Table 11.10: HS Receiver AC Specifications**

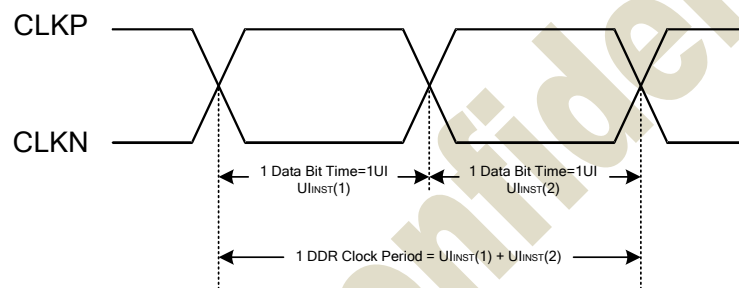
### High-Speed Data-Clock Timing

This section specifies the required timings on the high-speed signaling interface independent

of the electrical characteristics of the signal. The PHY is a source synchronous interface in the Forward direction. In either the Forward or Reverse signaling modes there shall be only one clock source. In the Reverse direction, Clock is sent in the Forward direction and one of four possible edges is used to launch the data.

The Master side of the Link shall send a differential clock signal to the Slave side to be used for data sampling. This signal shall be a DDR (half-rate) clock and shall have one transition per data bit time. All timing relationships required for correct data sampling are defined relative to the clock transitions. Therefore, implementations may use frequency spreading modulation on the clock to reduce EMI.

The DDR clock signal shall maintain a quadrature phase relationship to the data signal. Data shall be sampled on both the rising and falling edges of the Clock signal. The term “rising edge” means “rising edge of the differential signal, i.e. CLKP – CLKN, and similarly for “falling edge”. Therefore, the period of the Clock signal shall be the sum of two successive instantaneous data bit times. This relationship is shown in Figure 13.5.



**Figure 11.5: DDR Clock Definition**

The same clock source is used to generate the DDR Clock and launch the serial data. Since the Clock and Data signals propagate together over a channel of specified skew, the Clock may be used directly to sample the Data lines in the receiver. Such a system can accommodate large instantaneous variations in UI.

The allowed instantaneous UI variation can cause large, instantaneous data rate variations. Therefore, devices shall either accommodate these instantaneous variations with appropriate FIFO logic outside of the PHY or provide an accurate clock source to the Lane Module to eliminate these instantaneous variations.

The UIINST specifications for the Clock signal are summarized in following Table.

Parameter	Symbol	Min.	Typ.	Max.	Unit	Note
UI instantaneous	$U_{INST}$	-	-	12.5	ns	(1), (2), (3), (4), (5), (6)

**Note:** (1) This value corresponds to a minimum 80 Mbps data rate.

(2) The minimum UI shall not be violated for any single bit period, i.e., any DDR half cycle within a data burst.

(3) Maximum total bit rate is 850Mbps of 1 data lane 24-bit data format/ 630Mbps of 1 data lane 18-bit data format/ 560Mbps of 1 data lane 16-bit data format.

(4) Maximum total bit rate is 1.7Gbps of 2 data lanes 24-bit data format/ 1.27Gbps of 2 data lane 18-bit data format/ 1.13Gbps of 2 data lane 16-bit data format.

(5) Maximum total bit rate is 2Gbps of 3 data lanes 24-bit data format/ 1.5Gbps of 3 data lane 18-bit data format/ 1.33Gbps of 3 data lane 16-bit data format.

(6) Maximum total bit rate is 2Gbps of 4 data lanes 24-bit data format/ 1.5Gbps of 4 data lane 18-bit data format/ 1.33Gbps of 4 data lane 16-bit data format.

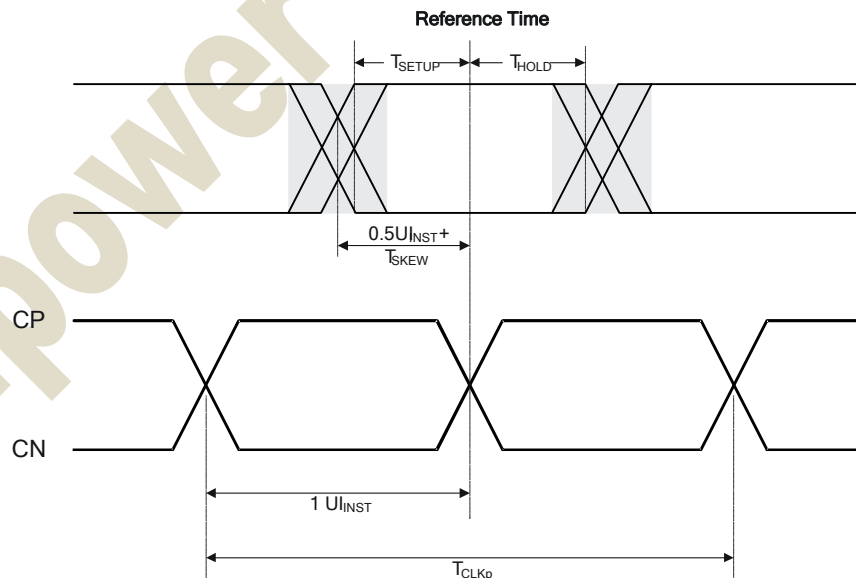
**Table 11.11: Reverse HS Data Transmission Timing Parameters**

The timing relationship of the DDR Clock differential signal to the Data differential signal is shown in Figure 8.13. Data is launched in a quadrature relationship to the clock such that the Clock signal edge may be used directly by the receiver to sample the received data.

The transmitter shall ensure that a rising edge of the DDR clock is sent during the first payload bit of a transmission burst such that the first payload bit can be sampled by the receiver on the rising clock edge, the second bit can be sampled on the falling edge, and all following bits can be sampled on alternating rising and falling edges.

All timing values are measured with respect to the actual observed crossing of the Clock differential signal. The effects due to variations in this level are included in the clock to data timing budget.

Receiver input offset and threshold effects shall be accounted as part of the receiver setup and hold parameters.



**Figure 11.6: Data to Clock Timing Definitions**

### Data-Clock Timing Specifications

The Data-Clock timing specifications are shown in Table 13.12. Implementers shall specify a value  $UI_{INST,MIN}$  that represents the minimum instantaneous UI possible within a High-Speed data transfer for a given implementation. Parameters in Table 13.12 are specified as a part of this value.. The setup and hold times,  $T_{SETUP[RX]}$  and  $T_{HOLD[RX]}$ , respectively, describe the timing relationships between the data and clock signals.  $T_{SETUP[RX]}$  is the minimum time that data shall be present before a rising or falling clock edge and  $T_{HOLD[RX]}$  is the minimum time that data shall remain in its current state after a rising or falling clock edge. The timing budget specifications for a receiver shall represent the minimum variations observable at the receiver for which the receiver will operate at the maximum specified acceptable bit error rate.

The intent in the timing budget is to leave  $0.4 \cdot UI_{INST}$ , i.e.  $\pm 0.2 \cdot UI_{INST}$  for degradation contributed by the interconnect.

Parameter	Symbol	Min.	Typ.	Max.	Unit	Note
Data to Clock Setup Time [RX]	$T_{SETUP[RX]}$	0.15	-	-	UIINST	1
Clock to Data Hold Time [RX]	$T_{HOLD[RX]}$	0.15	-	-	UIINST	1

**Note:** (1) Total setup and hold window for receiver of  $0.3 \cdot UI_{INST}$ .

**Table 11.12: Data to Clock Timing Specifications**

## Burst Mode Data Transmission

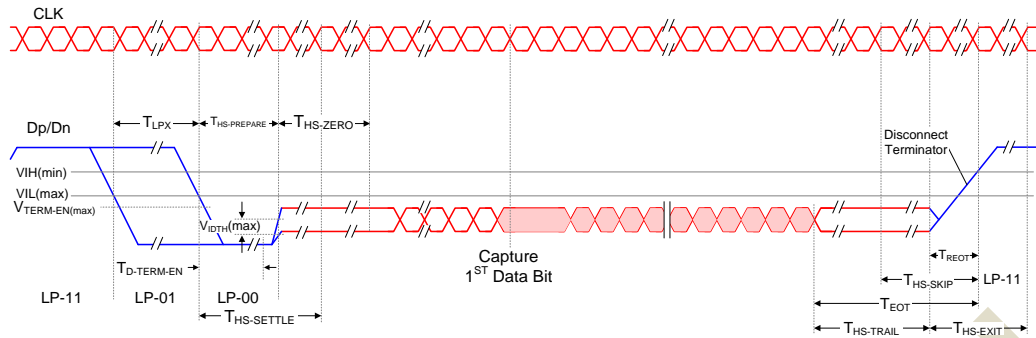


Figure 11.7: High-Speed Data Transmission in Bursts

Parameter	Description	Min	Typ	Max	UNIT
$T_{LPX}$	Transmitted length of any Low-Power state period	50	-	-	ns
$T_{HS-PREPARE}$	Time that the transmitter drives the Data Lane LP-00 Line state immediately before the HS-0 Line state starting the HS transmission	$40 + 4*UI$	-	$85 + 6*UI$	ns
$T_{HS-PREPARE} + T_{HS-ZERO}$	$T_{HS-PREPARE}$ + time that the transmitter drives the HS-0 state prior to transmitting the Sync sequence.	$145 + 10*UI$	-	-	ns
$T_{D-TERM-EN}$	Time for the Data Lane receiver to enable the HS line termination.	-	-	$35 + 4*UI$	ns
$T_{HS-SETTLE}$	Time interval during which the HS receiver shall ignore any Data Lane HS transitions.	$85 + 6*UI$	-	$145 + 10*UI$	ns
$T_{HS-TRAIL}$	Time that the transmitter drives the flipped differential state after last payload data bit of a HS transmission burst	$\max(n*8*UI, 60 + n*4*UI)$	-	-	ns
$T_{HS-EXIT}$	Time that the transmitter drives LP-11 following a HS burst.	100	-	-	ns

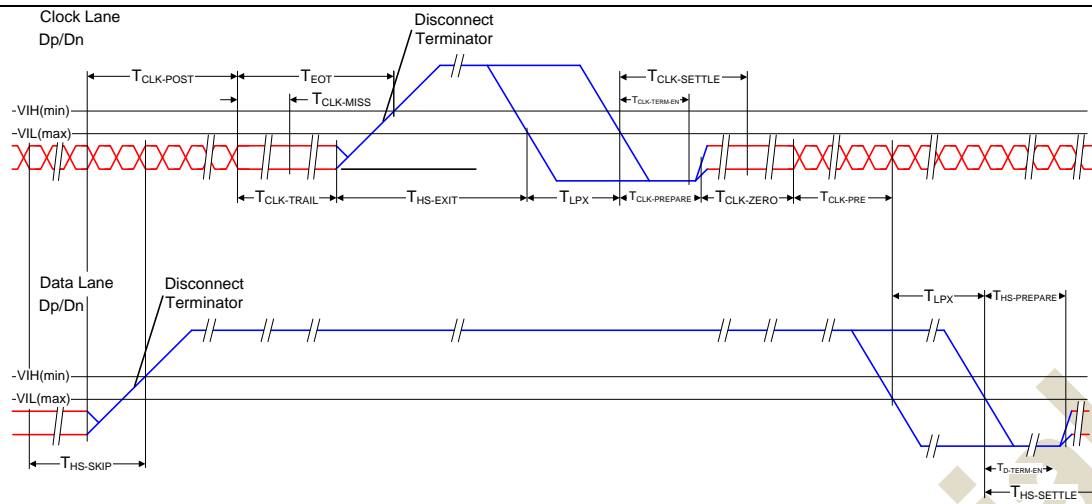


Figure 11.8: Switching the Clock Lane between Clock Transmission and Low-Power Mode

Parameter	Description	Min	Typ	Max	UNIT
$T_{\text{CLK-POST}}$	Time that the transmitter continues to send HS clock after the last associated Data Lane has transitioned to LP Mode.	$60 + 52 \cdot UI$	-	-	ns
$T_{\text{CLK-PRE}}$	Time that the HS clock shall be driven by the transmitter prior to any associated Data Lane beginning the transition from LP to HS mode.	$8 \cdot UI$	-	-	ns
$T_{\text{CLK-PREPARE}}$	Time that the transmitter drives the Clock Lane LP-00 Line state immediately before the HS-0 Line state starting the HS transmission.	38	-	95	ns
$T_{\text{CLK-PREPARE}} + T_{\text{CLK-ZERO}}$	$T_{\text{CLK-PREPARE}}$ + time that the transmitter drives the HS-0 state prior to starting the Clock.	300	-	-	ns
$T_{\text{CLK-TERM-EN}}$	Time for the Clock Lane receiver to enable the HS line termination.	-	-	38	ns
$T_{\text{CLK-TRAIL}}$	Time that the transmitter drives the HS-0 state after the last payload clock bit of a HS transmission burst.	60	-	-	ns
$T_{\text{HS-EXIT}}$	Time that the transmitter drives LP-11 following a HS burst.	100	-	-	ns

11.3.3. Timings for DSI Video mode

Vertical Timings

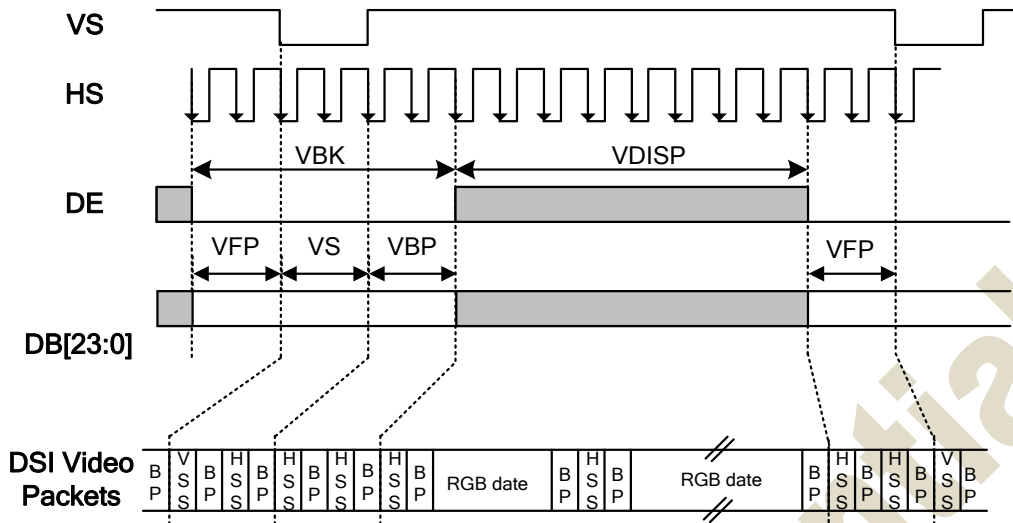


Figure 11.9: Vertical Timings for DPI I/F

Resolution=800x1280(T<sub>A</sub>=25°C, IOVCC=1.8V, VCIP=2.8V, VCI=2.8V)

Item	Symbol	Condition	Min.	Typ.	Max.	Unit
Vertical low pulse width	VS	-	2	4	200 Note(1)	Line
Vertical front porch	VFP	-	4	20	200	Line
Vertical back porch	VBP	-	2	10	200 Note(1)	Line
Vertical blanking period	VBK	VS+VBP+VFP	8	34	250	Line
Vertical active area	-	VDISP	-	1280	-	Line
Vertical Refresh rate	VRR	-	-	60	-	Hz

Note: (1) The VS and VBP pulse width are related to GIP start pulse and GIP clock pulse timing. The GIP start pulse and GIP clock pulse must be set at corresponding position for LCD normal display.

Resolution=768x1280 (T<sub>A</sub>=25°C, IOVCC=1.8V, VCIP=2.8V, VCI=2.8V)

Item	Symbol	Condition	Min.	Typ.	Max.	Unit
Vertical low pulse width	VS	-	2	4	200 Note(1)	Line
Vertical front porch	VFP	-	4	20	200	Line
Vertical back porch	VBP	-	2	10	200 Note(1)	Line
Vertical blanking period	VBK	VS+VBP+VFP	8	34	250	Line
Vertical active area	-	VDISP	-	1280	-	Line
Vertical Refresh rate	VRR	-	-	60	-	Hz

Note: (1) The VS and VBP pulse width are related to GIP start pulse and GIP clock pulse timing. The GIP start pulse and GIP clock pulse must be set at corresponding position for LCD normal display.



**Resolution=750x1280 (T<sub>A</sub>=25°C, IOVCC=1.8V, VCIP=2.8V, VCI=2.8V)**

Item	Symbol	Condition	Min.	Typ.	Max.	Unit
Vertical low pulse width	VS	-	2	4	200 Note(1)	Line
Vertical front porch	VFP	-	4	20	200	Line
Vertical back porch	VBP	-	2	10	200 Note(1)	Line
Vertical blanking period	VBK	VS+VBP+VFP	8	34	250	Line
Vertical active area	-	VDISP	-	1280	-	Line
Vertical Refresh rate	VRR	-	-	60	-	Hz

**Note:** (1) The VS and VBP pulse width are related to GIP start pulse and GIP clock pulse timing. The GIP start pulse and GIP clock pulse must be set at corresponding position for LCD normal display.

**Resolution=720x1280 (T<sub>A</sub>=25°C, IOVCC=1.8V, VCIP=2.8V, VCI=2.8V)**

Item	Symbol	Condition	Min.	Typ.	Max.	Unit
Vertical low pulse width	VS	-	2	-	200 Note(1)	Line
Vertical front porch	VFP	-	4	-	200	Line
Vertical back porch	VBP	-	2	-	200 Note(1)	Line
Vertical blanking period	VBK	VS+VBP+VFP	8	-	250	Line
Vertical active area	-	VDISP	-	1280	-	Line
Vertical Refresh rate	VRR	-	-	60	-	Hz

**Note:** (1) The VS and VBP pulse width are related to GIP start pulse and GIP clock pulse timing. The GIP start pulse and GIP clock pulse must be set at corresponding position for LCD normal display.

**Resolution=640x1280 (T<sub>A</sub>=25°C, IOVCC=1.8V, VCIP=2.8V, VCI=2.8V)**

Item	Symbol	Condition	Min.	Typ.	Max.	Unit
Vertical low pulse width	VS	-	2	4	200 Note(1)	Line
Vertical front porch	VFP	-	4	20	200	Line
Vertical back porch	VBP	-	2	10	200 Note(1)	Line
Vertical blanking period	VBL	VS+VBP+VFP	8	34	250	Line
Vertical active area	-	VDISP	-	1280	-	Line
Vertical Refresh rate	VRR	-	-	60	-	Hz

**Note:** (1) The VS and VBP pulse width are related to GIP start pulse and GIP clock pulse timing. The GIP start pulse and GIP clock pulse must be set at corresponding position for LCD normal display.

**Table 11.13: Vertical Timings for RGB I/F**

## Horizontal Timings

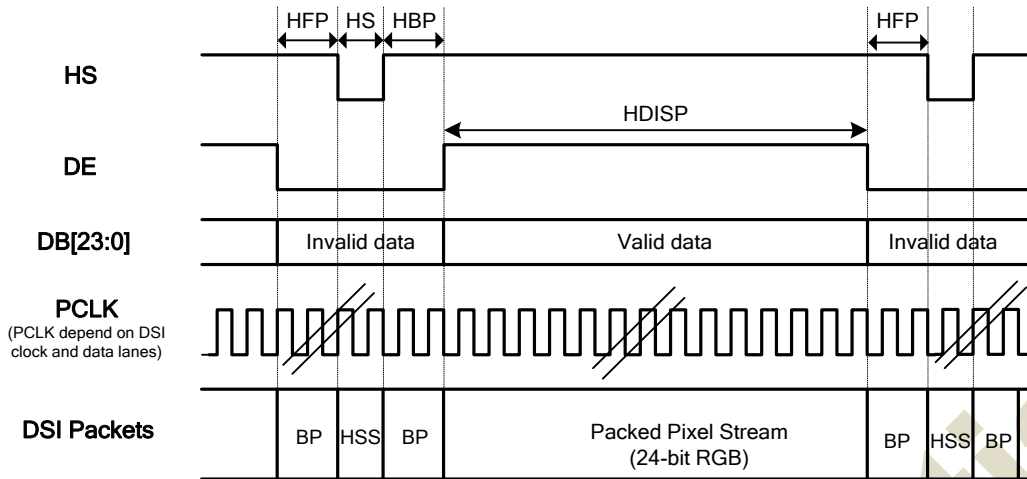


Figure 11.10: Horizontal Timing for DSI Video mode I/F

Resolution=800x1280 (T<sub>A</sub>=25°C, IOVCC=1.8V, VCIP=VCI=VCCH=2.8V)

Item	Symbol	Condition	Min.	Typ.	Max.	Unit
HS low pulse width	HS	-	6	18	-	DCK
Horizontal back porch	HBP	-	5	18	-	DCK
Horizontal front porch	HFP	-	5	18	-	DCK
Horizontal blanking period	HBLK	HS+HBP+HFP	16	54 (Note1)	-	DCK
Horizontal active area	HDISP	-	-	800	-	DCK
Pixel Clock	PCLK	-	63.06 (Note2)	67.33 (Note2)	-	MHz

Note 1: HS+HBP &gt; 0.5us.

Note 2: Pixel Clock = (HBLK+HDISP) \* (VBK+VDISP) \* Frame rate, Frame rate=60Hz.

Resolution=768x1280 (T<sub>A</sub>=25°C, IOVCC=1.8V, VCIP=2.8V, VCI=2.8V)

Item	Symbol	Condition	Min.	Typ.	Max.	Unit
HS low pulse width	HS	-	6	18	-	DCK
Horizontal back porch	HBP	-	5	18	-	DCK
Horizontal front porch	HFP	-	5	18	-	DCK
Horizontal blanking period	HBLK	HS+HBP+HFP	16	54 (Note1)	-	DCK
Horizontal active area	HDISP	-	-	768	-	DCK
Pixel Clock	PCLK	-	60.59 (Note2)	64.80 (Note2)	-	MHz

Note 1: HS+HBP &gt; 0.5us.

Note 2: Pixel Clock = (HBLK+HDISP) \* (VBK+VDISP) \* Frame rate, Frame rate=60Hz.

Resolution=750x1280 (T<sub>A</sub>=25°C, IOVCC=1.8V, VCIP=2.8V, VCI=2.8V)

Item	Symbol	Condition	Min.	Typ.	Max.	Unit
HS low pulse width	HS	-	6	18	-	DCK
Horizontal back porch	HBP	-	5	18	-	DCK
Horizontal front porch	HFP	-	5	18	-	DCK
Horizontal blanking period	HBLK	HS+HBP+HFP	16	54 (Note1)	-	DCK
Horizontal active area	HDISP	-	-	720	-	DCK
Pixel Clock	PCLK	-	59.196 (Note2)	61.81 (Note2)	-	MHz

Note 1: HS+HBP &gt; 0.5us.

Note 2: Pixel Clock = (HBLK+HDISP) \* (VBK+VDISP) \* Frame rate, Frame rate=60Hz.

**Resolution=720x1280 (T<sub>A</sub>=25°C, IOVCC=1.8V, VCIP=2.8V, VCI=2.8V)**

Item	Symbol	Condition	Min.	Typ.	Max.	Unit
HS low pulse width	HS	-	6	18	-	DCK
Horizontal back porch	HBP	-	5	18	-	DCK
Horizontal front porch	HFP	-	5	18	-	DCK
Horizontal blanking period	HBLK	HS+HBP+HFP	16	54 (Note1)	-	DCK
Horizontal active area	HDISP	-	-	720	-	DCK
Pixel Clock	PCLK	-	56.88 (Note2)	61.02 (Note2)	-	MHz

Note 1: HS+HBP > 0.5us.

Note 2: Pixel Clock = (HBLK+HDISP) \* (VBK+VDISP) \* Frame rate, Frame rate=60Hz.

**Resolution=640x1280 (T<sub>A</sub>=25°C, IOVCC=1.8V, VCIP=2.8V, VCI=2.8V)**

Item	Symbol	Condition	Min.	Typ.	Max.	Unit
HS low pulse width	HS	-	6	18	-	DCK
Horizontal back porch	HBP	-	5	18	-	DCK
Horizontal front porch	HFP	-	5	18	-	DCK
Horizontal blanking period	HBLK	HS+HBP+HFP	16	54 (Note1)	-	DCK
Horizontal active area	HDISP	-	-	640	-	DCK
			50.70 (Note2)	54.71 (Note2)	-	MHz

Note 1: HS+HBP > 0.5us.

Note 2: Pixel Clock = (HBLK+HDISP) \* (VBK+VDISP) \* Frame rate, Frame rate=60Hz.

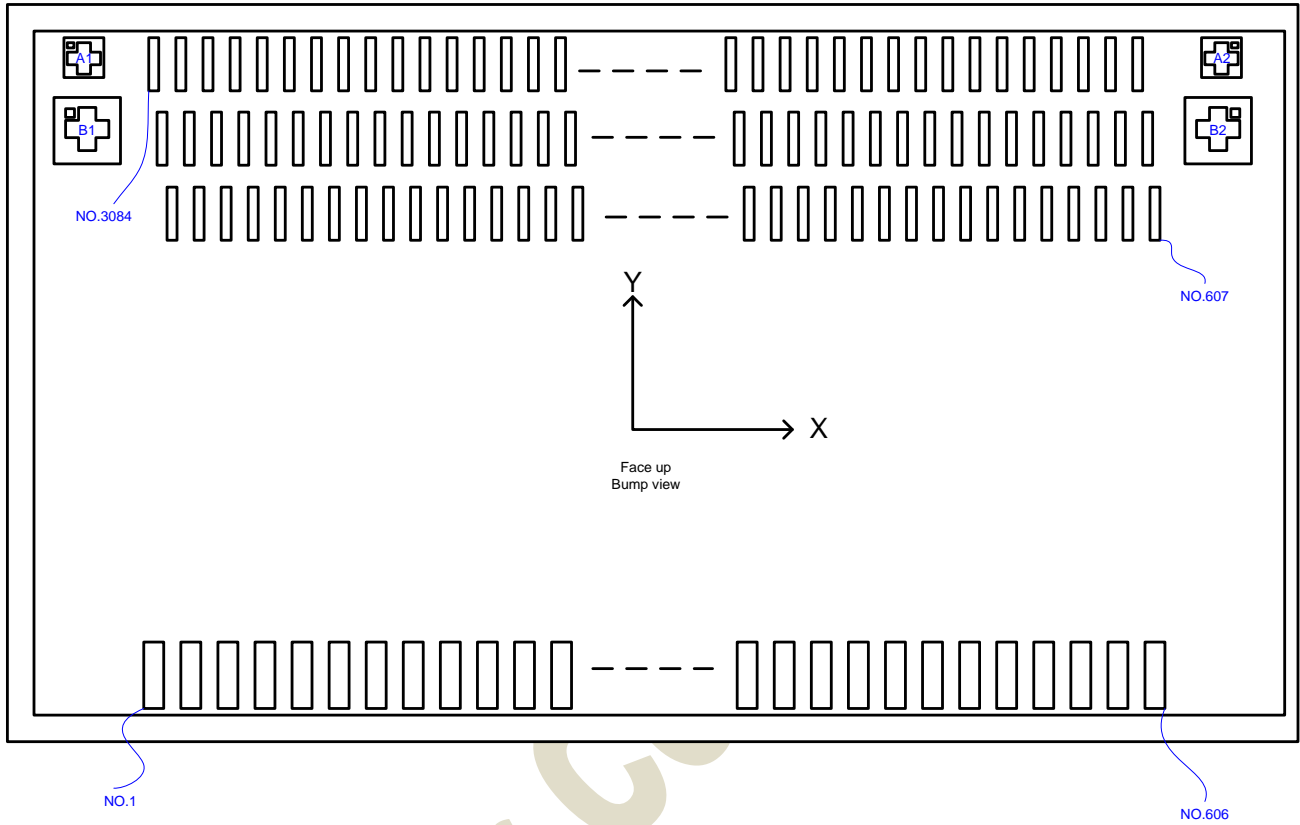
**Table 11.14: Horizontal Timings for DSI Video mode I/F**

## 12. Chip information

### 12.1. PAD assignment

IC chip size: 27600um\*880um (Include Scribe-Line and Seal-Ring)

#### Overview (Simple view)



fitipower

## 13. Ordering Information

TBD

fitipower Confidential