

All the technical data and information contained herein are subject to change without notice.

P/N	FSLB-S245A	DATE.	'04- 8- 2
DWN.	M.Uchida	DATA-No.	2MT44087

2012 Size

Band Pass Filter for W-LAN/Bluetooth High Attenuation type

FSLB-S245A

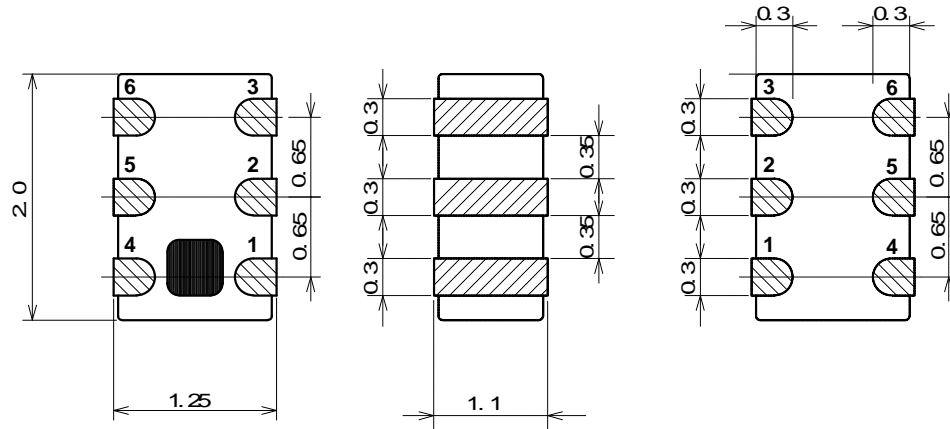
CONFIDENTIAL

The contents of this document is the property of Hitachi Metals Ltd. and may not be communicated to any other party in any form without the prior written contents of Hitachi Metals Ltd..



Shape and Size

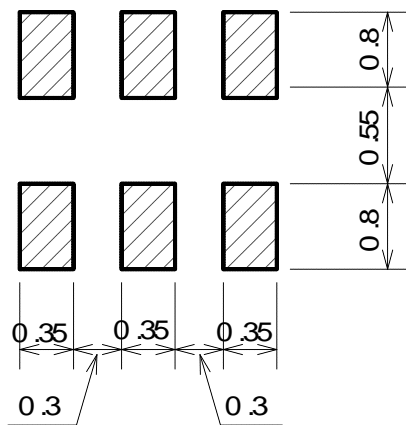
Unit (mm)



2: IN
5: OUT
1,3,4,6: GND

Foot Pattern

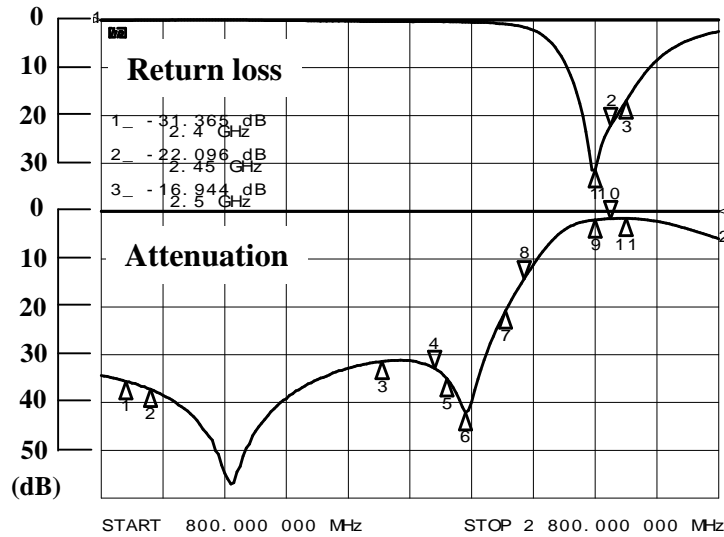
Unit (mm)



Specification

Parameter	Unit	Specification
Center Frequency(f_0)	MHz	2450
Passband Width	MHz	$f_0 \pm 50$
Insertion Loss 1 (at 25 deg.C)	dB	3.0 max
Insertion Loss 2 (at -35 to +85 deg.C)	dB	3.5 max
Ripple in passband	dB	1.0 max
Input Ret.Loss	dB	10 min
Attenuation1 (at 880-960MHz)	dB	30 min
Attenuation2 (at 1710-1880MHz)	dB	25 min
Attenuation3 (at 1920-1980MHz)	dB	30 min
Attenuation4 (at 2110-2170MHz)	dB	10 min
Attenuation5 (at 4800-5000MHz)	dB	20 min
Attenuation6 (at 7200-7500MHz)	dB	30 min
Characteristic Impedance	Ohm	50
Handling Power	W	1.0 max
Operating Temperature	deg.C	-35 to +85

Typical data



Attenuation value

- 1_ -35.563 dB } **GSM**
- 880 MHz
- 2_ -37.222 dB } **DCS 1800**
- 960 MHz
- 3_ -31.424 dB
- 1.71 GHz
- 4_ -32.889 dB
- 1.88 GHz
- 5_ -34.998 dB } **W-CDMA**
- 1.92 GHz
- 6_ -42.05 dB
- 1.98 GHz
- 7_ -20.808 dB
- 2.11 GHz
- 8_ -14.124 dB
- 2.17 GHz
- 9_ -1.783 dB } **W-LAN/Bluetooth**
- 2.4 GHz
- 10_ -1.544 dB
- 2.45 GHz
- 11_ -1.519 dB
- 2.5 GHz

