

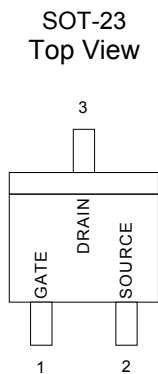
### GENERAL DESCRIPTION

This N-Channel enhancement mode field effect transistor is produced using high cell density, DMOS technology. These products have been designed to minimize on-state resistance while provide rugged, reliable, and fast switching performance. It can be used in most applications requiring up to 115mA DC and can deliver pulsed currents up to 800mA. This product is particularly suited for low voltage, low current applications such as small servo motor control, power MOSFET gate drivers, and other switching applications.

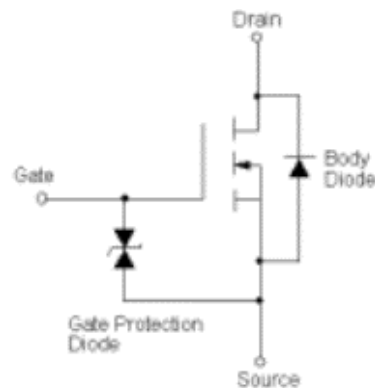
### FEATURES

- ◆ High Density Cell Design for Low  $R_{DS(ON)}$
- ◆ Voltage Controlled Small Signal Switch
- ◆ Rugged and Reliable
- ◆ High Saturation Current Capability
- ◆ Built-in G-S Protection Diode

### PIN CONFIGURATION



### SYMBOL



### ORDERING INFORMATION

Part Number	Package
CMT2N7002AG	SOT-23

\***Note:** G : Suffix for Pb Free Product

### ABSOLUTE MAXIMUM RATINGS

Rating	Symbol	Value	Unit
Drain Source Voltage	$V_{DSS}$	60	V
Drain-Gate Voltage ( $R_{GS} = 1.0M\Omega$ )	$V_{DGR}$	60	V
Drain to Current – Continuous	$I_D$	$\pm 115$	mA
– Pulsed	$I_{DM}$	$\pm 800$	
Gate-to-Source Voltage	$V_{GS}$	$\pm 20$	V
Total Power Dissipation	$P_D$	225	mW
Derate above 25°C		1.8	mW/°C
Single Pulse Drain-to-Source Avalanche Energy – $T_J = 25^\circ C$ ( $V_{DD} = 50V, V_{GS} = 10V, I_{AS} = 0.5A, L = 20mH, R_G = 25\Omega$ )	$E_{AS}$	2.5	mJ
Operating and Storage Temperature Range	$T_J, T_{STG}$	-55 to 150	°C
Thermal Resistance – Junction to Ambient	$\theta_{JA}$	417	°C/W
Maximum Lead Temperature for Soldering Purposes, 1/8" from case for 10 seconds	$T_L$	300	°C

### ELECTRICAL CHARACTERISTICS (Unless otherwise specified, $T_J = 25^\circ C$ .)

Characteristic	Symbol	CMT2N7002AG			Units
		Min	Typ	Max	
Drain-Source Breakdown Voltage ( $V_{GS} = 0V, I_D = 10 \mu A$ )	$V_{(BR)DSS}$	60			V
Drain-Source Leakage Current ( $V_{DS} = 60V, V_{GS} = 0V$ ) ( $V_{DS} = 60V, V_{GS} = 0V, T_J = 125^\circ C$ )	$I_{DSS}$			1.0 0.5	$\mu A$ mA
Gate-Source Leakage Current-Forward ( $V_{gsf} = 20V$ )	$I_{GSS}$			10	$\mu A$
Gate-Source Leakage Current-Reverse ( $V_{gsf} = -20V$ )	$I_{GSS}$			-10	$\mu A$
Gate Threshold Voltage * ( $V_{DS} = V_{GS}, I_D = 250 \mu A$ )	$V_{GS(th)}$	1.0		2.5	V
On-State Drain Current ( $V_{DS} \geq 2.0 V_{DS(on)}, V_{GS} = 10V$ )	$I_{d(on)}$	500			mA
Static Drain-Source On-Resistance * ( $V_{GS} = 10V, I_D = 0.5A$ ) ( $V_{GS} = 10V, I_D = 0.5A, T_C = 125^\circ C$ ) ( $V_{GS} = 5.0V, I_D = 50mA$ ) ( $V_{GS} = 5.0V, I_D = 50mA, T_C = 125^\circ C$ )	$R_{DS(on)}$			7.5 13.5 7.5 13.5	$\Omega$
Drain-Source On-Voltage * ( $V_{GS} = 10V, I_D = 0.5A$ ) ( $V_{GS} = 5.0V, I_D = 50mA$ )	$V_{DS(on)}$			3.75 0.375	V
Forward Transconductance ( $V_{DS} \geq 2.0 V_{DS(on)}, I_D = 200mA$ ) *	$g_{FS}$	80			mmhos
Input Capacitance	$(V_{DS} = 25V, V_{GS} = 0V, f = 1.0MHz)$	$C_{iss}$		50	pF
Output Capacitance		$C_{oss}$		25	pF
Reverse Transfer Capacitance		$C_{rss}$		5.0	pF
Turn-On Delay Time	$(V_{DD} = 25V, I_D = 500mA, V_{gen} = 10V, R_G = 25\Omega, R_L = 50\Omega)$ *	$t_{d(on)}$		20	ns
Turn-Off Delay Time		$t_{d(off)}$		40	ns
Diode Forward On-Voltage ( $I_S = 115mA, V_{GS} = 0V$ )	$V_{SD}$			-1.5	V
Source Current Continuous (Body Diode)	$I_S$			-115	mA
Source Current Pulsed	$I_{SM}$			-800	mA

\* Pulse Test: Pulse Width  $\leq 300\mu s$ , Duty Cycle  $\leq 2\%$

### TYPICAL ELECTRICAL CHARACTERISTICS

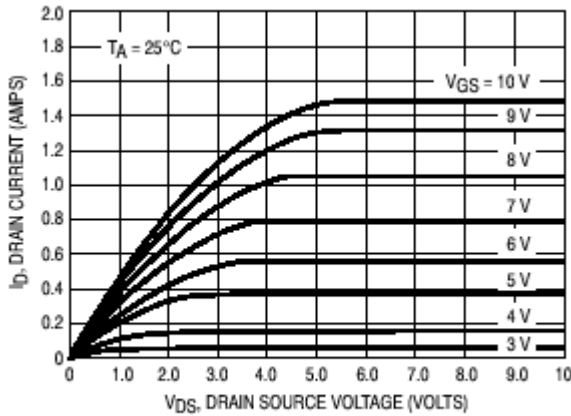


Figure 1. Ohmic Region

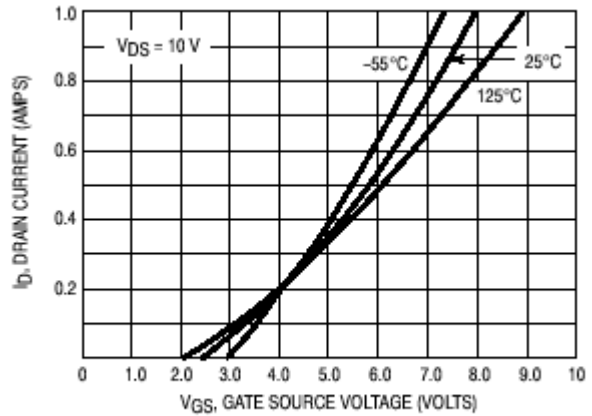


Figure 2. Transfer Characteristics

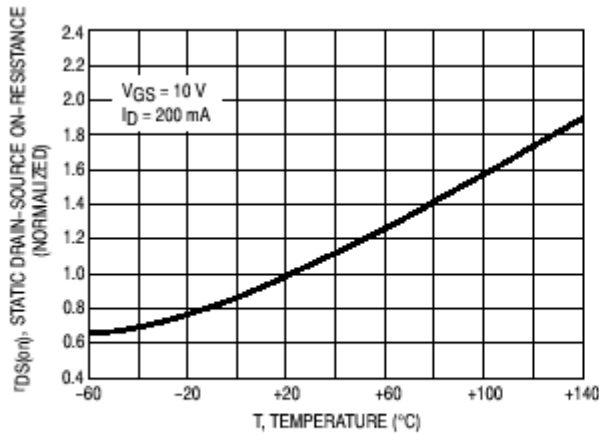


Figure 3. Temperature versus Static Drain-Source On-Resistance

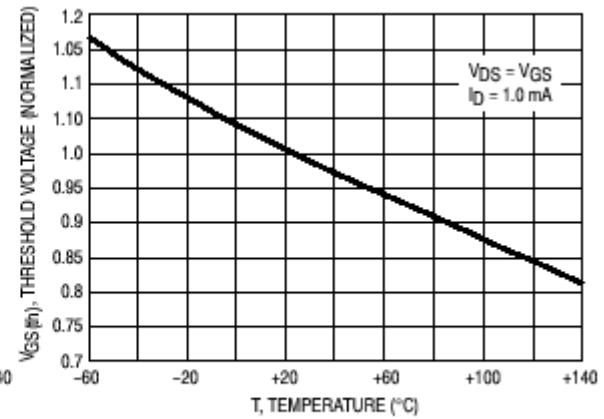


Figure 4. Temperature versus Gate Threshold Voltage

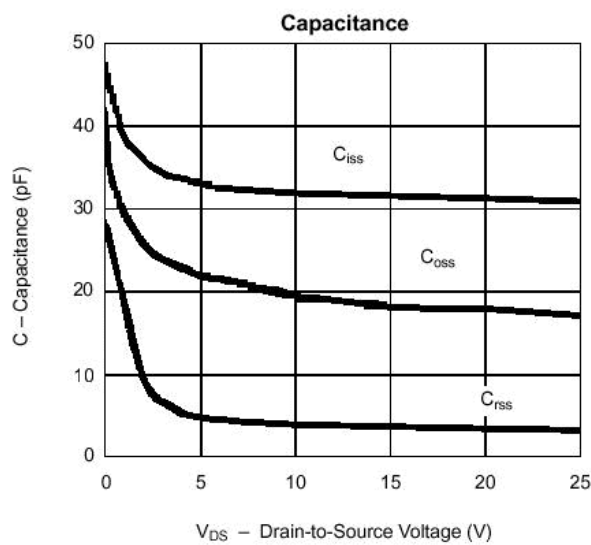
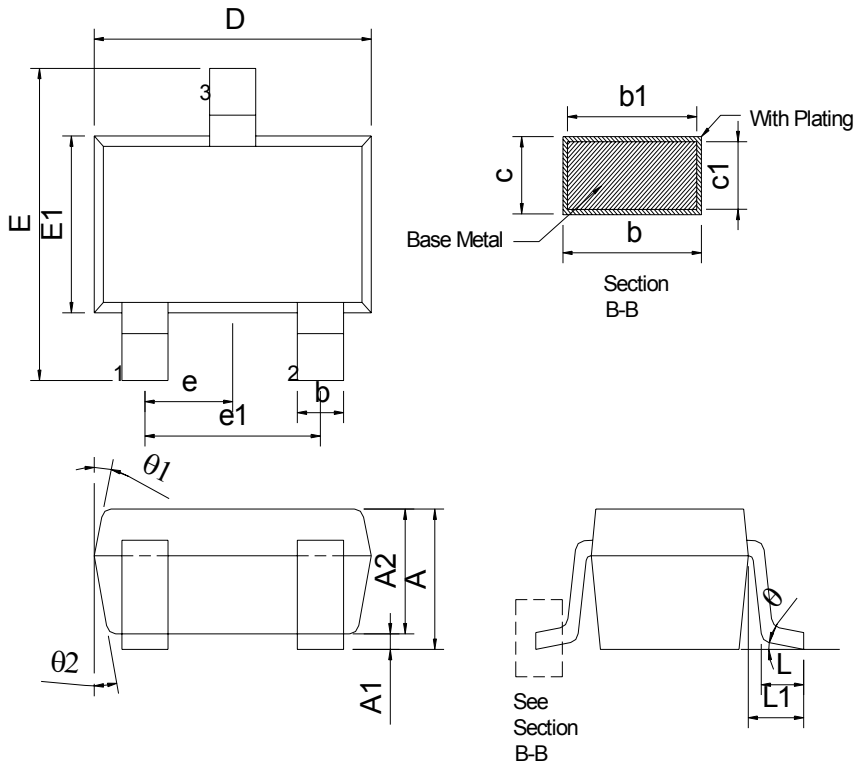


Figure 5. Capacitance

### PACKAGE DIMENSION

#### SOT-23



SYMBOLS	DIMENSIONS IN MILLIMETERS			DIMENSIONS IN INCHS		
	MIN	NOM	MAX	MIN	NOM	MAX
A	1.05	---	1.35	0.041	---	0.053
A1	0.05	---	0.15	0.002	---	0.006
A2	1.00	1.10	1.20	0.039	0.043	0.047
b	0.25	---	0.50	0.010	---	0.020
b1	0.25	0.40	0.45	0.010	0.016	0.018
c	0.08	---	0.20	0.003	---	0.008
c1	0.08	0.11	0.15	0.003	0.004	0.006
D	2.70	2.90	3.00	0.106	0.114	0.118
E	2.20	2.40	2.60	0.087	0.094	0.102
E1	1.20	1.30	1.40	0.047	0.051	0.055
L	0.35	0.45	0.55	0.014	0.018	0.022
L1	0.60 REF			0.024 REF		
e	0.95 BSC			0.037 BSC		
e1	1.90 BSC			0.075 BSC		
$\theta$	0°	5°	10°	0°	5°	10°
$\theta_1$	3°	5°	7°	3°	5°	7°
$\theta_2$	6°	8°	10°	6°	8°	10°

## IMPORTANT NOTICE

Champion Microelectronic Corporation (CMC) reserves the right to make changes to its products or to discontinue any integrated circuit product or service without notice, and advises its customers to obtain the latest version of relevant information to verify, before placing orders, that the information being relied on is current.

A few applications using integrated circuit products may involve potential risks of death, personal injury, or severe property or environmental damage. CMC integrated circuit products are not designed, intended, authorized, or warranted to be suitable for use in life-support applications, devices or systems or other critical applications. Use of CMC products in such applications is understood to be fully at the risk of the customer. In order to minimize risks associated with the customer's applications, the customer should provide adequate design and operating safeguards.

### HsinChu Headquarter

---

5F, No. 11, Park Avenue II,  
Science-Based Industrial Park,  
HsinChu City, Taiwan  
TEL: +886-3-567 9979  
FAX: +886-3-567 9909

### Sales & Marketing

---

7F-6, No.32, Sec. 1, Chenggong Rd., Nangang  
District, Taipei City 115, Taiwan  
TEL: +886-2-2788 0558  
FAX: +886-2-2788 2985

---