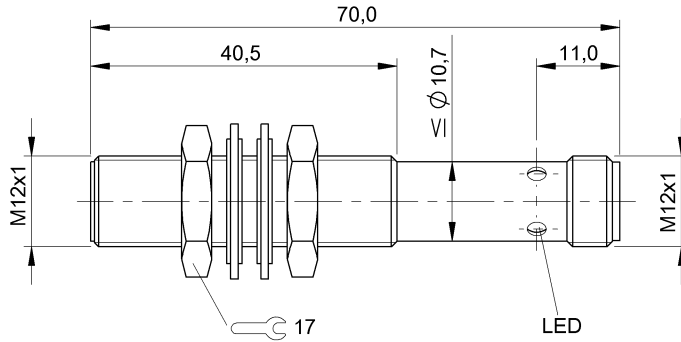


BES 516-325-S4-C
Ordering code: BES01C8

Inductive sensor
M12x70 mm

DC, direct current
PNP/Normally open (NO)
Sn= 2 mm
Flush (shielded)

BALLUFF
sensors worldwide



Characteristic data

Assured operating distance Sa	1,6
Eff. switching distance Sr	2 mm
Tolerance Sr	±10 %
Hysteresis H max. (in % of Sr)	15 %
Repeat accur. R max. (% of Sr)	5 %
Ambient temperature	-40...85 °C
Temp. drift max. (% of Sr)	10 %
Switching freq. f max.	3000 Hz
Ready delay tv max.	30 ms
Utilisation category	DC 13
Function indicator	Yes
Power indicator	No
Short-circuit protected	Yes
Protected against polarity reversal	Yes
Protected against miswiring	Yes
Enclosure Type per IEC 60529	IP68 according to BWN PR 20
Protection class	II
Principle of operation	Inductive

Electrical data

Operating voltage	10...30 V DC
Ripple max. (% of Ue)	15
Rated operating voltage Ue DC	24 V
Voltage drop static max.	2 V
Rated insulation voltage Ui	250 AC

Effective operating current Ie	200 mA
No-load current Io damped max.	8 mA
Max. no-load cur. Io undamped	2,5 mA
Off-state current Ir max.	10 µA
Minimum operating current Im	0 mA
Rated short circuit current	100 A
Output resistance Ra	33.0k + D
Load capacitance max. (at Ue)	0,5 µF

Mechanical data

Connection type	Connector
Connector type	M12x1-S04
Housing material	Stainless steel
Sensing surface material	PA 12
Mounting length	40,5 mm
Shock rating	Shock, half-sinus, 30 gn, 11ms
Vibration rating	55 Hz, 1 mm ampl., 3x30 min
Degree of contamination	3
Tightening torque	20 Nm

Basic data

Basic standard	IEC 60947-5-2
----------------	---------------

Remarks

The sensor is functional again after the overload has been eliminated.
 With connector, e.g. BKS-S 20-... total length = switch length +19 mm.



BES 516-325-S4-C
Ordering code: BES01C8

Inductive sensor
M12x70 mm

DC, direct current
PNP/Normally open (NO)
Sn= 2 mm
Flush (shielded)

BALLUFF
sensors worldwide

