

METAL ALLOY MULTILAYER HIGH POWER CHIP INDUCTOR



ASMPM

2.0 x 1.6 x 1.0 mm

MSL = 1

RoHS/RoHS II Compliant

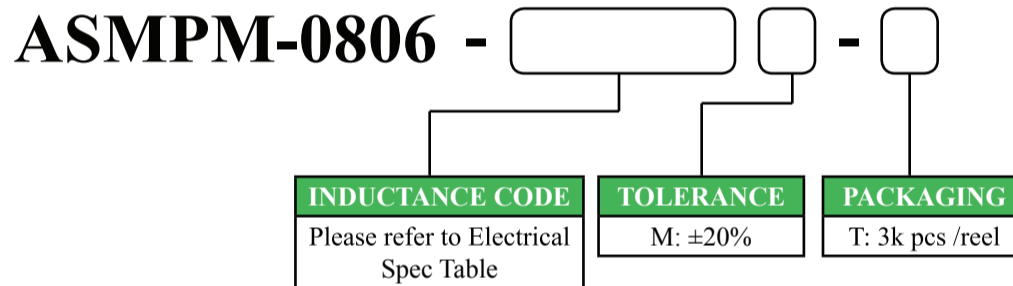
FEATURES

- Miniature ceramic chip inductors
- High current carrying in a compact 2.0 x 1.6mm footprint
- Low profile 1.0mm MAX for height restricted applications
- Up to 4.5A typ saturation current
- High inductance up to 4.7 μ H
- Wide operating temperature range -40°C ~ +125°C
- Shielded construction reduces EMI

APPLICATIONS

- IoT and IIoT
- Wearables
- Smart watches
- Hand-held devices
- Audio/video, cameras, and speakers
- Drones
- Medical monitoring
- Compact energy efficient lighting
- Battery operated devices
- DC/DC supplies for Bluetooth and RF modules
- High efficiency battery chargers
- High efficiency switch mode power supplies

OPTIONS AND PART IDENTIFICATION



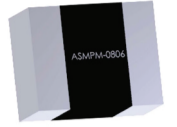
ELECTRICAL SPECIFICATIONS

OPERATING TEMPERATURE	STORAGE CONDITION
-40°C - 125°C (including self-temperature rise)	-10°C ~ +40°C (tape & reel packaging), -40°C ~ +125°C (component)

PART NUMBER	INDUCTANCE	TOLERANCE	DC RESISTANCE	SATURATION CURRENT		TEMPERATURE RISE CURRENT	
	0.1MHz/0.1V			Typ	Max	Typ	Max
UNITS	μ H	%	m Ω	A		A	
SYMBOL	L	M	DCR	Isat		Irms	
ASMPM-0806-R47	0.47	\pm 20%	40	4.50	4.00	3.60	3.10
ASMPM-0806-1R0	1.0	\pm 20%	70	3.40	3.10	2.60	2.20
ASMPM-0806-1R5	1.5	\pm 20%	110	2.80	2.50	2.10	1.80
ASMPM-0806-2R2	2.2	\pm 20%	168	2.20	2.00	1.60	1.40
ASMPM-0806-3R3	3.3	\pm 20%	225	1.90	1.50	1.40	1.20
ASMPM-0806-4R7	4.7	\pm 20%	360	1.50	1.30	1.10	0.95

REVISED: 06.29.2018

METAL ALLOY MULTILAYER HIGH POWER CHIP INDUCTOR



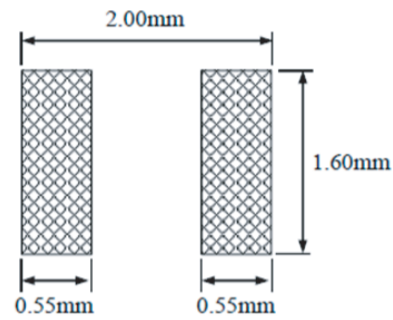
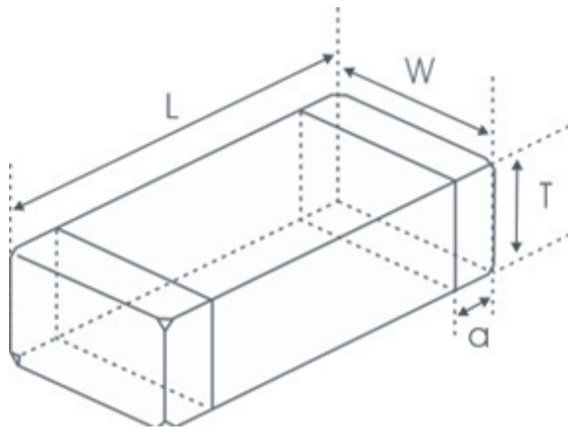
ASMPM

2.0 x 1.6 x 1.0 mm

MSL = 1

RoHS/RoHS II Compliant

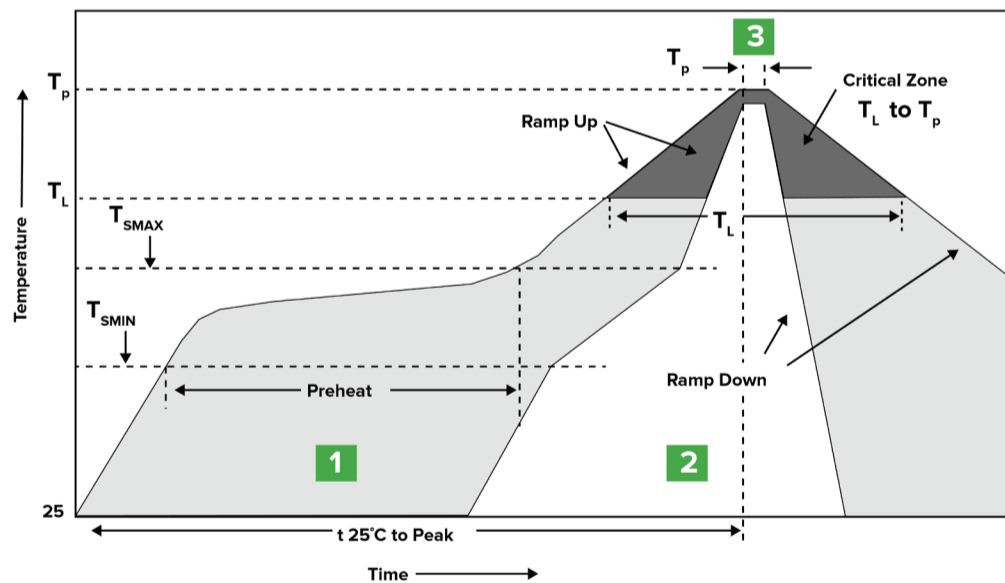
MECHANICAL DIMENSIONS



Dimension: mm

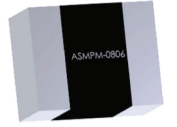
L	W	T	a
2.0 ± 0.2	1.6 ± 0.2	1.0 MAX.	0.5 ± 0.3

REFLOW



Zone	Description	Temperature	Times
1	Preheat	$T_{SMIN} \sim T_{SMAX}$ 150°C ~ 180°C	60 ~ 120 sec.
2	Reflow	T_L 230°C	30 sec. MAX
3	Peak heat	T_P 260°C	10 sec. MAX

METAL ALLOY MULTILAYER HIGH POWER CHIP INDUCTOR



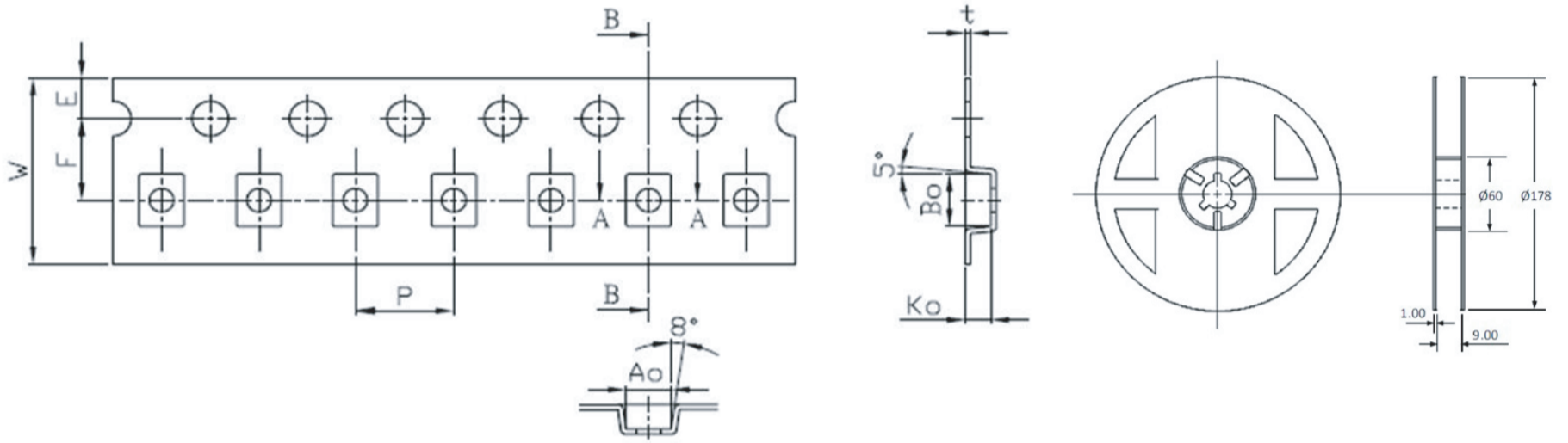
ASMPM

2.0 x 1.6 x 1.0 mm

MSL = 1

RoHS/RoHS II Compliant

PACKING (TAPE & REEL: 3000 PCS/REEL)



Ao	Bo	Ko	P	W	t	E	F
1.90	2.30	1.15	4.00	8.00	0.23	1.75	3.50

Dimension: mm