

54F/74F657 Octal Bidirectional Transceiver with 8-Bit Parity Generator/Checker and TRI-STATE® Outputs

General Description

The 'F657 contains eight non-inverting buffers with TRI-STATE® outputs and an 8-bit parity generator/checker. It is intended for bus-oriented applications. The buffers have a guaranteed current sinking capability of 24 mA (20 mA mil) at the A port and 64 mA (48 mA mil) at the B port.

Features

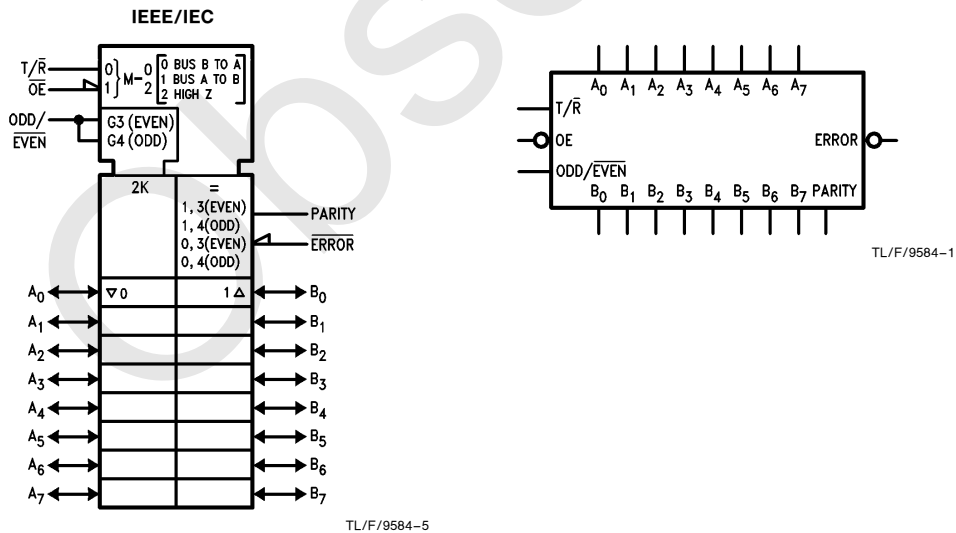
- 300 Mil 24-pin slimline DIP
- Combines 'F245 and 'F280A functions in one package
- TRI-STATE outputs
- B Outputs sink 64 mA (48 mA mil)
- 12 mA source current, B side
- Input diodes for termination effects

Commercial	Military	Package Number	Package Description
74F657SPC		N24C	24-Lead (0.300" Wide) Molded Dual-In-Line
	54F657SDM (Note 2)	J24F	24-Lead (0.300" Wide) Ceramic Dual-In-Line
75F657SC (Note 1)		M24B	24-Lead (0.300" Wide) Molded Small Outline, JEDEC
	54F657FM (Note 2)	W24C	24-Lead Cerpack
	54F657LM (Note 2)	E28A	24-Lead Ceramic Leadless Chip Carrier, Type C

Note 1: Devices also available in 13" reel. Use suffix = SCX.

Note 2: Military grade device with environmental and burn-in processing. Use suffix = DMQB, FMQB and LMQB.

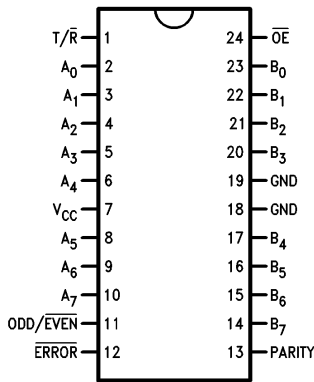
Logic Symbols



TRI-STATE® is a registered trademark of National Semiconductor Corporation.

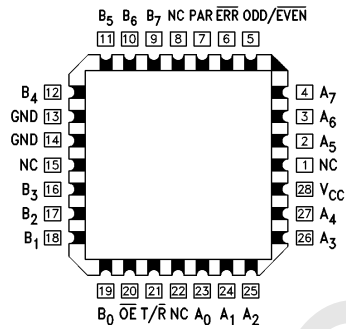
Connection Diagrams

Pin Assignment
for DIP, SOIC
and Flatpak



TL/F/9584-2

Pin Assignment
for LCC



TL/F/9584-3

Unit Loading/Fan Out

Pin Names	Description	54F/74F	
		U.L. HIGH/LOW	Input I_{IH}/I_{IL} Output I_{OH}/I_{OL}
A ₀ –A ₇	Data Inputs/ TRI-STATE Outputs	4.5/0.15 150/40 (33.3)	90 μ A/ – 90 μ A –3 mA/24 mA (20 mA)
B ₀ –B ₇	Data Inputs/ TRI-STATE Outputs	3.5/0.117 600/106.6 (80)	70 μ A/ – 70 μ A –12 mA/64 mA (48 mA)
T/ \bar{R}	Transmit/Receive Input	2.0/0.067	40 μ A/ – 40 μ A
\bar{OE}	Enable Input	2.0/0.067	40 μ A/ – 40 μ A
PARITY	Parity Input/ TRI-STATE Output	3.5/0.117 600/106.6 (80)	70 μ A/ – 70 μ A –12 mA/64 mA (48 mA)
ODD/ \bar{EVEN}	ODD/ \bar{EVEN} Parity Input	1.0/0.033	20 μ A/ – 20 μ A
\bar{ERROR}	Error Output	600/106.6 (80)	–12 mA/64 mA (48 mA)

Functional Description

The Transmit/Receive (T/\bar{R}) input determines the direction of the data flow through the bidirectional transceivers. Transmit (active HIGH) enables data from the A port to the B port; Receive (active LOW) enables data from the B port to the A port.

The Output Enable (\bar{OE}) input disables the parity and \bar{ERROR} outputs and both the A and B ports by placing them in a HIGH-Z condition when the Output Enable input is HIGH.

When transmitting (T/\bar{R} HIGH), the parity generator detects whether an even or odd number of bits on the A port are HIGH and compares these with the condition of the pari-

ty select (ODD/ \bar{EVEN}). If the Parity Select is HIGH and an even number of A inputs are HIGH, the Parity output is HIGH.

In receiving mode (T/\bar{R} LOW), the parity select and number of HIGH inputs on port B are compared to the condition of the Parity input. If an even number of bits on the B port are HIGH, the parity select is HIGH, and the PARITY input is HIGH, then \bar{ERROR} will be HIGH to indicate no error. If an odd number of bits on the B port are HIGH, the parity select is HIGH, and the PARITY input is HIGH, the \bar{ERROR} will be LOW indicating an error.

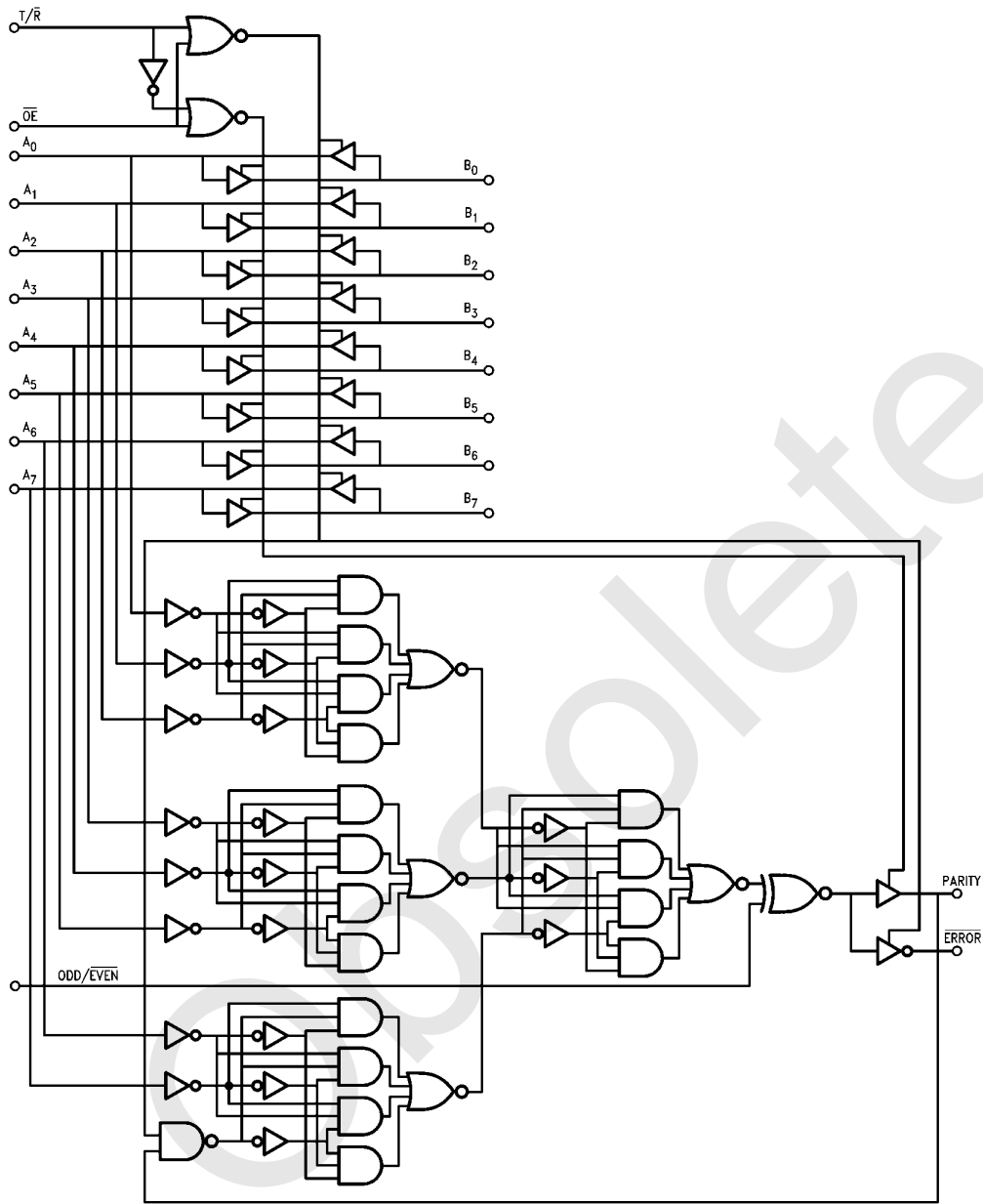
Function Table						
Number of Inputs That Are High	Inputs			Input/Output	Outputs	
	OE	T/R	ODD/EVEN	Parity	ERROR	Outputs Mode
0, 2, 4, 6, 8	L	H	H	H	Z	Transmit
	L	H	L	L	Z	Transmit
	L	L	H	H	H	Receive
	L	L	H	L	L	Receive
	L	L	L	H	L	Receive
1, 3, 5, 7	L	H	H	L	Z	Transmit
	L	H	L	H	Z	Transmit
	L	L	H	H	L	Receive
	L	L	H	L	H	Receive
	L	L	L	H	H	Receive
Immaterial	H	X	X	Z	Z	Z

H = HIGH Voltage Level
L = LOW Voltage Level
X = Immaterial
Z = High Impedance

Function Table		
Inputs		Outputs
OE	T/R	
L	L	Bus B Data to Bus A
L	H	Bus A Data to Bus B
H	X	High-Z State

H = HIGH Voltage Level
L = LOW Voltage Level
X = Immaterial

Functional Block Diagram



2 GROUND PINS
1 V_{CC} PIN

TL/F/9584-4

Absolute Maximum Ratings (Note 1)

If Military/Aerospace specified devices are required, please contact the National Semiconductor Sales Office/Distributors for availability and specifications.

Storage Temperature	-65°C to +150°C
Ambient Temperature under Bias	-55°C to +125°C
Junction Temperature under Bias	-55°C to +175°C
Plastic	-55°C to +150°C
V _{CC} Pin Potential to Ground Pin	-0.5V to +7.0V
Input Voltage (Note 2)	-0.5V to +7.0V
Input Current (Note 2)	-30 mA to +5.0 mA
Voltage Applied to Output in HIGH State (with V _{CC} = 0V)	
Standard Output	-0.5V to V _{CC}
TRI-STATE Output	-0.5V to +5.5V

Current Applied to Output in LOW State (Max)

twice the rated I_{OL} (mA)

Note 1: Absolute maximum ratings are values beyond which the device may be damaged or have its useful life impaired. Functional operation under these conditions is not implied.

Note 2: Either voltage limit or current limit is sufficient to protect inputs.

Recommended Operating Conditions

Free Air Ambient Temperature

Military	-55°C to +125°C
Commercial	0°C to +70°C

Supply Voltage

Military	+4.5V to +5.5V
Commercial	+4.5V to +5.5V

DC Electrical Characteristics

Symbol	Parameter	54F/74F			Units	V _{CC}	Conditions
		Min	Typ	Max			
V _{IH}	Input HIGH Voltage	2.0			V		Recognized as a HIGH Signal
V _{IL}	Input LOW Voltage	0.8			V		Recognized as a LOW Signal
V _{CD}	Input Clamp Diode Voltage	-1.2			V	Min	I _{IN} = -18 mA
V _{OH}	Output HIGH Voltage	54F 10% V _{CC}	2.5		V	Min	I _{OH} = -1 mA (A _n) I _{OH} = -3 mA (A _n , B _n , Parity, ERROR) I _{OH} = -12 mA (B _n , Parity, ERROR) I _{OH} = -1 mA (A _n) I _{OH} = -3 mA (A _n , B _n , Parity, ERROR) I _{OH} = -15 mA (B _n , Parity, ERROR) I _{OH} = -1 mA (A _n) I _{OH} = -3 mA (A _n , B _n , Parity, ERROR)
		54F 10% V _{CC}	2.4				
		54F 10% V _{CC}	2.0				
		74F 10% V _{CC}	2.5				
		74F 10% V _{CC}	2.4				
		74F 10% V _{CC}	2.0				
		74F 5% V _{CC}	2.7				
		74F 5% V _{CC}	2.7				
V _{OL}	Output LOW Voltage	54F 10% V _{CC}	0.5		V	Min	I _{OL} = 20 mA (A _n) I _{OL} = 48 mA (B _n , Parity, ERROR) I _{OL} = 24 mA (A _n) I _{OL} = 64 mA (B _n , Parity, ERROR)
		54F 10% V _{CC}	0.55				
		74F 10% V _{CC}	0.5				
		74F 10% V _{CC}	0.55				
I _{IH}	Input HIGH Current	20 40			μA	Max	V _{IN} = 2.7V (ODD/EVEN) V _{IN} = 2.7V (T/R, OE)
I _{BVI}	Input HIGH Current Breakdown Test	100			μA	V _{CC} = 0	V _{IN} = 7.0V (T/R, OE, ODD/EVEN)
I _{BVIT}	Input HIGH Current Breakdown Test (I/O)	1.0 2.0			mA	Max	V _{IN} = 5.5V (Parity, B _n) V _{IN} = 5.5V (A _n)
I _{IL}	Input LOW Current	-20 -40			μA	Max	V _{IN} = 0.5V (ODD/EVEN) V _{IN} = 0.5V (T/R, OE)
I _{OZH}	Output Leakage Current	50			μA	Max	V _{OUT} = 2.7V (ERROR)
I _{OZL}	Output Leakage Current	-50			μA	Max	V _{OUT} = 0.5V (ERROR)
I _{IH} + I _{OZH}	Output Leakage Current	70 90			μA	Max	V _{I/O} = 2.7V (B _n , Parity) V _{I/O} = 2.7V (A _n)
I _{IL} + I _{OZL}	Output Leakage Current	-70 -90			μA	Max	V _{I/O} = 0.5V (B _n , Parity) V _{I/O} = 0.5V (A _n)
I _{OS}	Output Short-Circuit Current	-60 -100	-150 -225		mA	Max	V _{OUT} = 0V (A _n) V _{OUT} = 0V (B _n , Parity, ERROR)
I _{CEX}	Output HIGH Leakage Current	250 1.0 2.0			μA mA mA	Max Max Max	V _{OUT} = V _{CC} (ERROR) V _{OUT} = V _{CC} (B _n , Parity) V _{OUT} = V _{CC} (A _n)
I _{ZZ}	Bus Drainage Test	500			μA	0.0V	V _{OUT} = 5.25V (A _n , B _n , Parity, ERROR)
I _{CCH}	Power Supply Current	101	125		mA	Max	V _O = HIGH
I _{CCL}	Power Supply Current	112	150		mA	Max	V _O = LOW
I _{CCZ}	Power Supply Current	109	145		mA	Max	V _O = HIGH Z

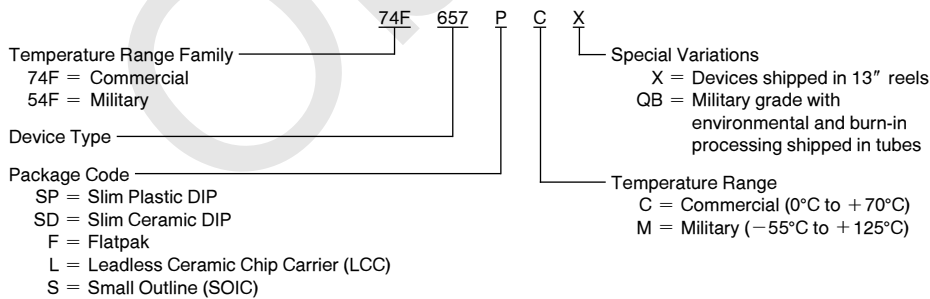
AC Electrical Characteristics

Symbol	Parameter	74F			54F		74F		Units
		$T_A = +25^\circ\text{C}$ $V_{CC} = +5.0\text{V}$ $C_L = 50\text{ pF}$			$T_A, V_{CC} = \text{Mil}$ $C_L = 50\text{ pF}$		$T_A, V_{CC} = \text{Com}$ $C_L = 50\text{ pF}$		
		Min	Typ	Max	Min	Max	Min	Max	
t_{PLH} t_{PHL}	Propagation Delay A_n to B_n , B_n to A_n	2.5 3.0	4.5 4..9	8.0 7.5	2.5 3.0	9.5 8.5	2.5 3.0	9.0 8.0	ns
t_{PLH} t_{PHL}	Propagation Delay A_n to Parity	6.5 7.0	10.1 10.9	14.0 15.0	5.5 5.5	18.0 20.5	6.0 6.0	16.0 16.5	ns
t_{PLH} t_{PHL}	Propagation Delay ODD/EVEN to PARITY	4.5 4.5	7.8 8.8	11.0 12.0	4.0 4.5	14.0 16.5	4.0 4.5	13.0 13.5	ns
t_{PLH} t_{PHL}	Propagation Delay ODD/EVEN to $\overline{\text{ERROR}}$	4.5 4.5	7.5 8.2	11.0 12.0	4.0 4.5	14.0 16.5	4.0 4.5	13.0 13.5	ns
t_{PLH} t_{PHL}	Propagation Delay B_n to $\overline{\text{ERROR}}$	8.0 8.0	14.0 15.0	20.5 21.5	7.5 7.5	27.0 28.5	7.5 7.5	23.0 23.5	ns
t_{PLH} t_{PHL}	Propagation Delay PARITY to $\overline{\text{ERROR}}$	7.0 7.5	10.8 11.8	15.5 16.5	6.0 6.5	20.0 22.0	6.0 7.5	17.0 18.5	ns
t_{PZH} t_{PZL}	Output Enable Time $\overline{\text{OE}}$ to A_n/B_n	3.0 4.0	5.0 6.5	8.0 10.0	2.5 3.5	11.0 13.5	2.5 3.5	9.5 11.0	ns
t_{PHZ} t_{PLZ}	Output Disable Time $\overline{\text{OE}}$ to A_n/B_n	1.0 1.0	4.5 4.9	8.0 7.5	1.0 1.0	9.5 8.5	1.0 1.0	9.0 8.0	ns
t_{PZH} t_{PZL}	Output Enable Time $\overline{\text{OE}}$ to $\overline{\text{ERROR}}$ (Note 1)	3.0 4.0	5.0 7.7	8.0 10.0	2.5 3.5	11.0 13.5	2.5 3.5	9.5 11.0	ns
t_{PHZ} t_{PLZ}	Output Disable Time $\overline{\text{OE}}$ to $\overline{\text{ERROR}}$	1.0 1.0	4.5 4.9	8.0 7.5	1.0 1.0	9.5 8.5	1.0 1.0	9.0 8.0	ns
t_{PZH} t_{PZL}	Output Enable Time $\overline{\text{OE}}$ to PARITY	3.0 4.0	5.0 7.7	8.0 10.0	2.5 3.5	11.0 13.5	2.5 3.5	9.5 11.0	ns
t_{PHZ} t_{PLZ}	Output Disable Time $\overline{\text{OE}}$ to PARITY	1.0 1.0	4.6 5.1	8.0 7.5	1.0 1.0	9.5 8.5	1.0 1.0	9.0 8.0	ns

Note 1: These delay times reflect the TRI-STATE recovery time only and not the signal time through the buffers or the parity check circuitry. To assure VALID information at the ERROR pin, time must be allowed for the signal to propagate through the drivers (B to A), through the parity check circuitry (same as A to PARITY), and to the ERROR output after the ERROR pin has been enabled (Output Enable times). VALID data at the ERROR pin \geq (A to PARITY) + (Output Enable Time).

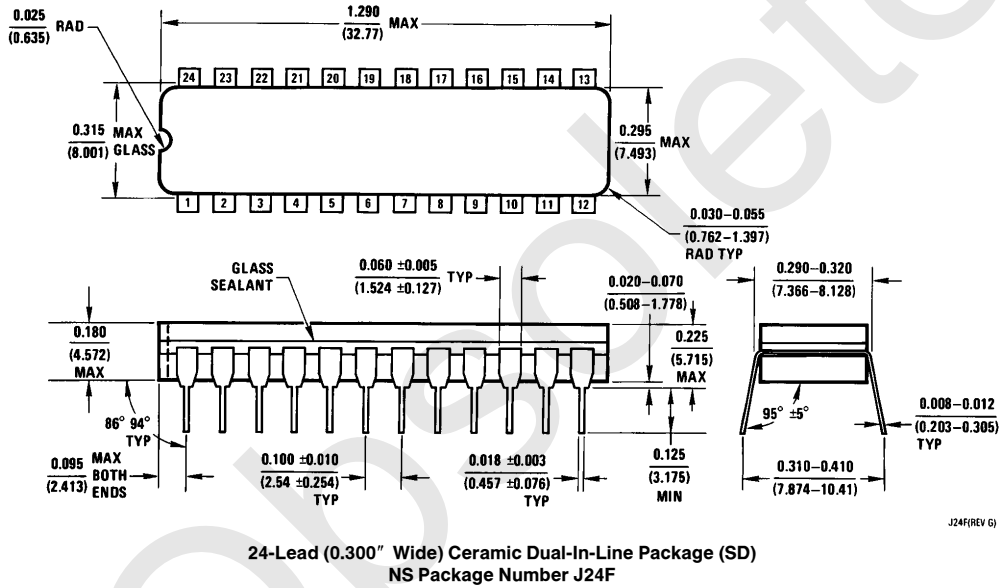
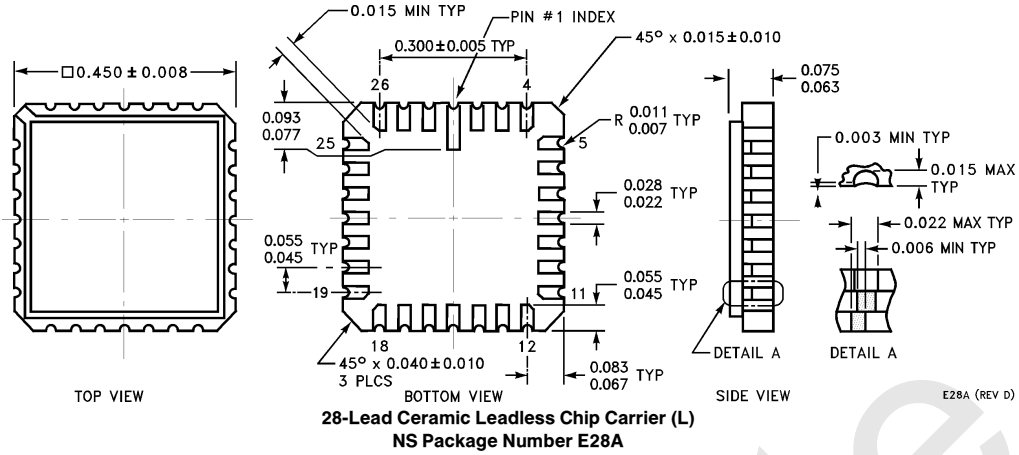
Ordering Information

The device number is used to form part of a simplified purchasing code where a package type and temperature range are defined as follows:

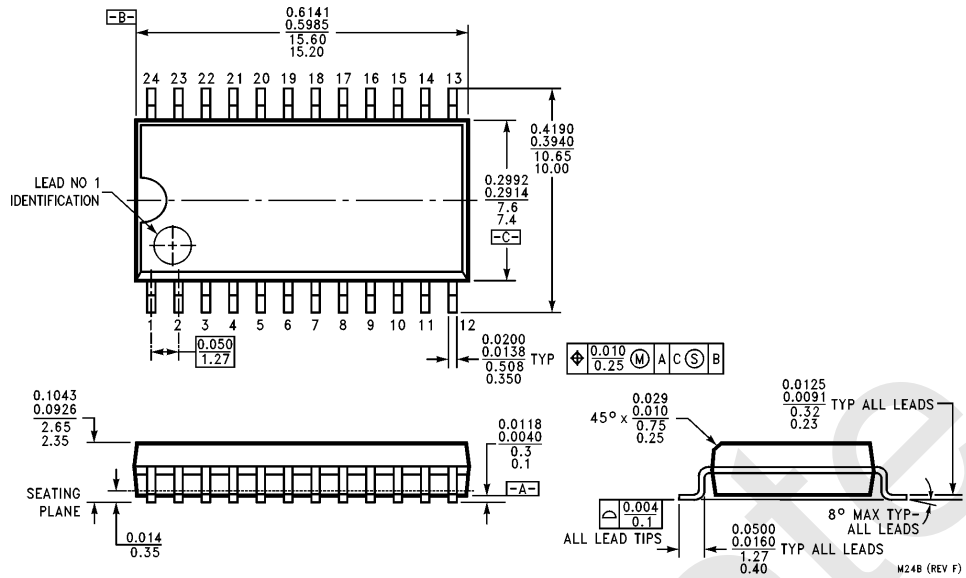


Obsolete

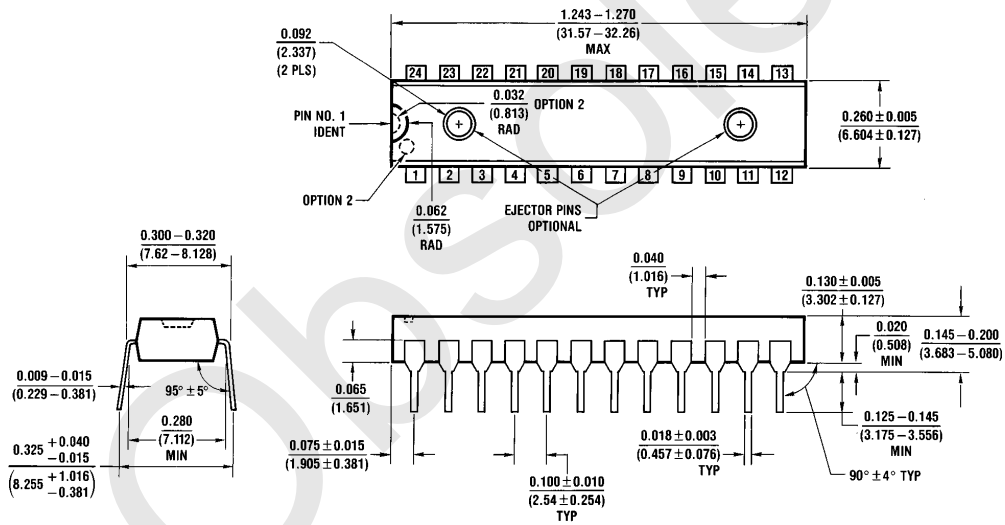
Physical Dimensions inches (millimeters)



Physical Dimensions inches (millimeters) (Continued)



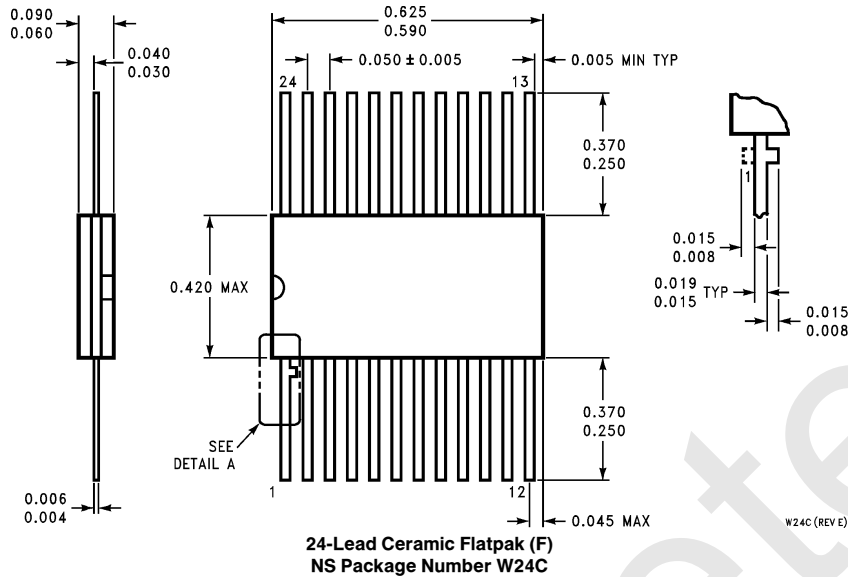
**24-Lead (0.300" Wide) Molded Small Outline Package, JEDEC (S)
NS Package Number M24B**



**24-Lead (0.300" Wide) Molded Dual-In-Line Package (SP)
NS Package Number N24C**

**54F/74F657 Octal Bidirectional Transceiver
with 8-Bit Parity Generator/Checker and TRI-STATE Outputs**

Physical Dimensions inches (millimeters) (Continued)



LIFE SUPPORT POLICY

NATIONAL'S PRODUCTS ARE NOT AUTHORIZED FOR USE AS CRITICAL COMPONENTS IN LIFE SUPPORT DEVICES OR SYSTEMS WITHOUT THE EXPRESS WRITTEN APPROVAL OF THE PRESIDENT OF NATIONAL SEMICONDUCTOR CORPORATION. As used herein:

1. Life support devices or systems are devices or systems which, (a) are intended for surgical implant into the body, or (b) support or sustain life, and whose failure to perform, when properly used in accordance with instructions for use provided in the labeling, can be reasonably expected to result in a significant injury to the user.
2. A critical component is any component of a life support device or system whose failure to perform can be reasonably expected to cause the failure of the life support device or system, or to affect its safety or effectiveness.



National Semiconductor Corporation
2900 Semiconductor Drive
P.O. Box 58090
Santa Clara, CA 95052-8090
Tel: (1800) 272-9959
TWX: (910) 339-9240

National Semiconductor GmbH
Livny-Gargan-Str. 10
D-82256 Fürstenfeldbruck
Germany
Tel: (81-41) 35-0
Telex: 527849
Fax: (81-41) 35-1

National Semiconductor Japan Ltd.
Sumitomo Chemical
Engineering Center
Bldg. 7F
1-7-1, Nakase, Mihama-Ku
Chiba-City,
Ciba Prefecture 261
Tel: (043) 299-2300
Fax: (043) 299-2500

National Semiconductor Hong Kong Ltd.
13th Floor, Straight Block,
Ocean Centre, 5 Canton Rd.
Tsimshatsui, Kowloon
Hong Kong
Tel: (852) 2737-1600
Fax: (852) 2736-9960

National Semicondutores Do Brazil Ltda.
Rue Deputado Lacorda Franco
120-3A
Sao Paulo-SP
Brazil 05418-000
Tel: (55-11) 212-5066
Telex: 391-1131931 NSBR BR
Fax: (55-11) 212-1181

National Semiconductor (Australia) Pty. Ltd.
Building 16
Business Park Drive
Monash Business Park
Nottingham, Melbourne
Victoria 3168 Australia
Tel: (3) 558-9999
Fax: (3) 558-9998

National does not assume any responsibility for use of any circuitry described, no circuit patent licenses are implied and National reserves the right at any time without notice to change said circuitry and specifications.